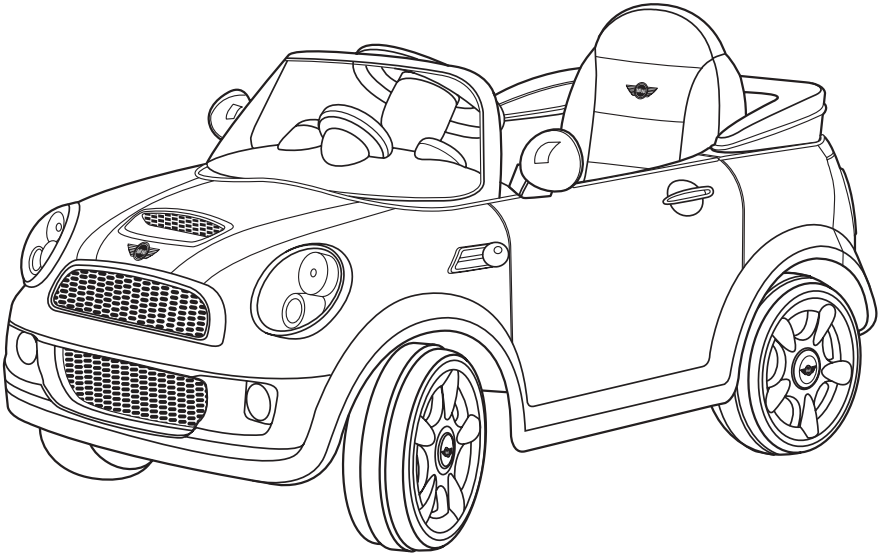


AVIGO

Mini Cooper S



Owner's Manual

Model Number: 5F5F3F8

Do not return to store. Call toll free (877) 741-6154 for assistance and replacement parts.

The Owner's manual contains assembly, use and maintenance instructions. The Avigo Cooper must be assembled by an adult who has read and understands the instructions in this manual. Keep the packaging away from children and dispose all packaging before use.

Styles and Colors may vary
Made in China



Keep instructions for future reference.

Thank You

For purchasing the Kid Trax MINI COOPER S battery-operated vehicle.

The MINI COOPER S will bring your child fun and riding enjoyment for years to come.

Please call us at Kid Trax Toys Consumer Relations at **877-741-6154** with comments or questions. Customer Service hours are 8AM - 5PM Monday thru Friday CST.

You may also reach us through the following:

Web: www.kidtraxtoys.com

Email: customerservice@kidtraxtoys.com

Mail: Kid Trax Toys
PO Box 344
Olney, IL 62450

WARNING!

PREVENT INJURIES AND DEATHS:

- **NEVER LEAVE CHILD UNATTENDED. ALWAYS** keep child in view when child is in vehicle. Direct adult supervision is **REQUIRED**.
- **NEVER** use roadways, near cars, on or near steep inclines or steps, swimming pools or other bodies of water.
- **ALWAYS** wear shoes.
- **ALWAYS** sit on the seat.
- **NEVER** allow more than one (1) riders in the MINI Cooper S.

Contents

Safety	1
Parts	2
Assembly	4
Install the Front Wheels	5
Install the Rear Wheels	6
Attaching the Steering Wheel	7
Assemble the Speedometer and Windshield	8
Assemble Soft Roof and Mirror	9
Using the Controls	10
Maintenance	11
General	11
Battery	11
Troubleshooting Guide	16
Services Repairs and Parts	18
FCC Information	19
Warranty	20
Warranty Limitations	20
Limitation of Damages	21

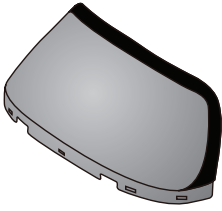
Safety

WARNING!

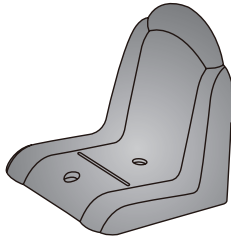
The following safety hazards may result in serious injury or death to the user of the MINI Copper S:

- This product contains small parts that are for adult assembly only. Keep small children away when assembling. Remove and dispose of all protective material and poly bags before assembly. Be sure to remove all packaging materials and parts from underneath the car body.
- Riding the vehicle without a helmet. Riders must always wear a fitted helmet that complies with U.S. Consumer Product Safety Commission (CPSC) Standard CFR 1203.
- Battery posts, terminals and related accessories contain lead and lead compounds (asic) chemicals known to the state of California to cause cancer, reproductive harm, and are toxic and corrosive. Never open the battery.
- Body parts such as hands, legs, hair and clothing can get caught in moving parts. Never place a body part near a moving part or wear loose clothing while using the vehicle. Always wear shoes when using the vehicle.
- Using the vehicle near streets, motor vehicles, drop-offs such as: steps, water (swimming pools) or other bodies of water, sloped surfaces, hills, wet areas, flammable vapors, in alleys, at night or in the dark could result in an unexpected accident. Always use the vehicle in a safe, secure environment with continuous adult supervision.
- Using the vehicle in unsafe conditions such as snow, rain, loose dirt, mud, sand or fine gravel may result in unexpected action such as tip over and skidding.
- Using the vehicle in an unsafe manner. Examples include but are not limited to:
 - Pulling the vehicle with another vehicle or similar device
 - Allowing more than two riders
 - Pushing the user from the back
 - Traveling at an unsafe speed
- Always use common sense and safe practices when using the vehicle.
- Store the vehicle indoors or cover it with a tarp to protect it from weather. Do not wash the car with a hose or soap and water. Water will damage the motor, electric system, and battery.

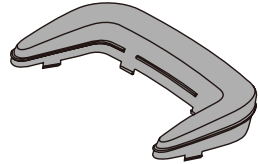
Parts



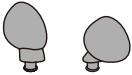
windshield



seat



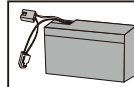
soft top



mirrors (L & R)

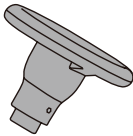


speedometer

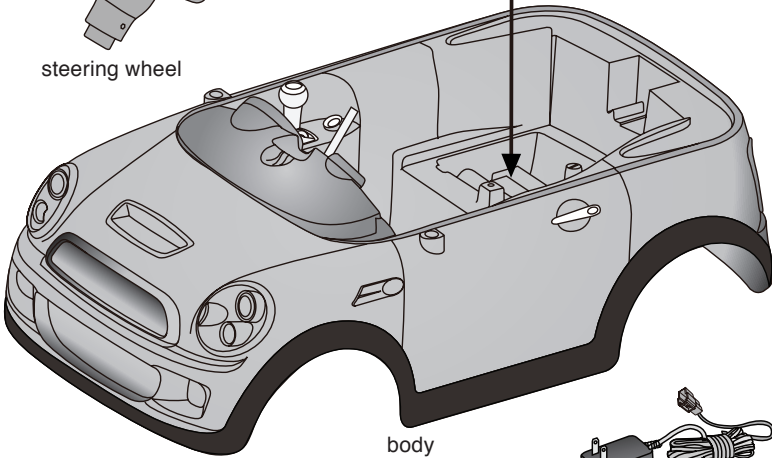


battery

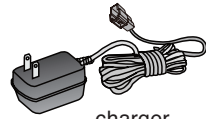
Please note: Battery is already installed in sealed rear compartment.



steering wheel



body



charger



front wheel x2



rear wheel x2



wheel cover x4



hub cap x4

⚠ WARNING!



- Contact or exposure to battery leakage (lead acid) may cause serious injury. If contact or exposure occurs immediately call your physician. If the chemical is on the skin or in the eyes, flush with cool water for 15 minutes. If the chemical was swallowed, immediately give the person water or milk. Do not give water or milk if the patient is vomiting or has a decreased level of alertness. Do not induce vomiting.
- Battery posts, terminals and related accessories contain **lead and lead compounds (acid)**, chemicals known to the State of California to cause cancer, reproductive harm and are toxic and corrosive. Never open the battery.



- Tampering or modifying the electric circuit system may cause a shock, fire or explosion and permanently damage the system. Exposed wiring, circuitry in the charger may cause electric shock. Always keep the charger housing closed.

Important! Before using the MINI Copper S for the first time the battery needs to be charged for a full 16 hours (no more than 30 hours). Only an adult who has read and understands the following safety warnings should handle, charge or recharge of the battery (see Maintenance).

Note: It is not necessary to remove the battery from the vehicle for charging. However, if the adapter cord will not safely reach a 120V wall outlet, the battery can be removed for charging (see page 4 for instructions concerning battery replacement).

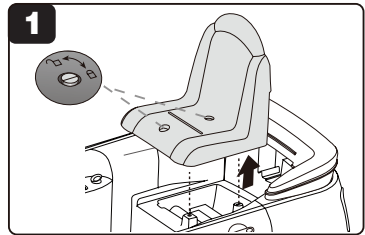
Charge Battery Before Assembly

ONLY AN ADULT CAN CHARGE AND RECHARGE THE BATTERY.

NOTE: It is not necessary to remove the battery from the vehicle for charging. However, if the adapter cord will not safely reach a 120-volt wall outlet, the battery can be removed for charging.

Connect Charger to Battery

1. Use a flat head screwdriver to unlock the screws. Lift seat (Figure 1).
2. Unplug the engine connector from the battery (Figure 2).



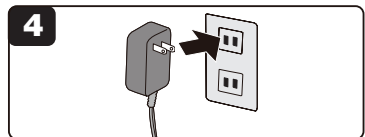
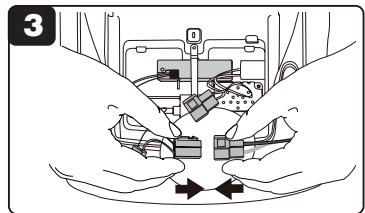
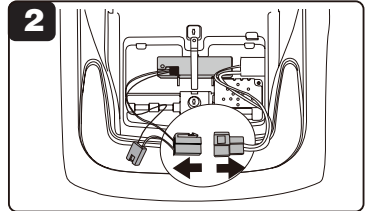
3. Plug the charger connector into the battery (Figure 3).

Use **ONLY** the 6-volt charger included with the Mini Cooper S.

Input: AC120V-, 0.5A, 60Hz

Output: DC 6.0V, 0.8A

4. Plug the charger into a standard 120-volt wall outlet (Figure 4). The charger may feel warm during charging. This is normal and not a cause for concern.



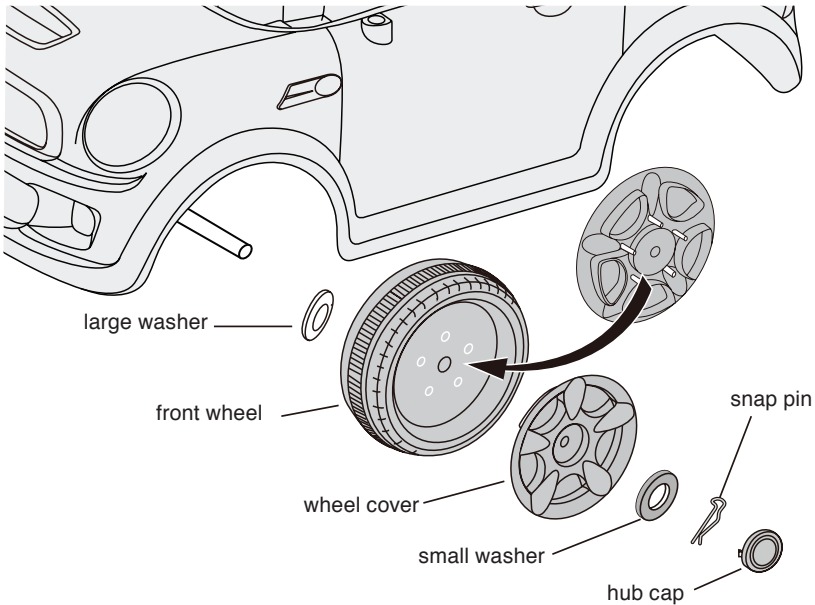
Disconnect Charger from Battery

1. Unplug the charger from the wall outlet.
2. Unplug the charger connector from the battery.
3. Plug the engine connector into the battery.
4. Position the seat over the battery. Lower the seat hooks into the holes (at front of seat). Lock seat screws (Figure 1).

Install the Front Wheels

1. Slide large washer onto axle as shown.
2. Locate a wheel marked **front**. Slide the wheel onto the axle with the word **front** facing in, towards the vehicle.
3. Align the five posts on the back of the wheel cover with the holes in the wheel and slide the wheel cover into the wheel.
4. Slide a small washer and then the snap-pin onto the axle.
5. Align the locks in the hubcap with the holes in the wheel cover and press in place.

NOTE: Do not use a hammer. Repeat steps 1-5 to attach both front wheels.

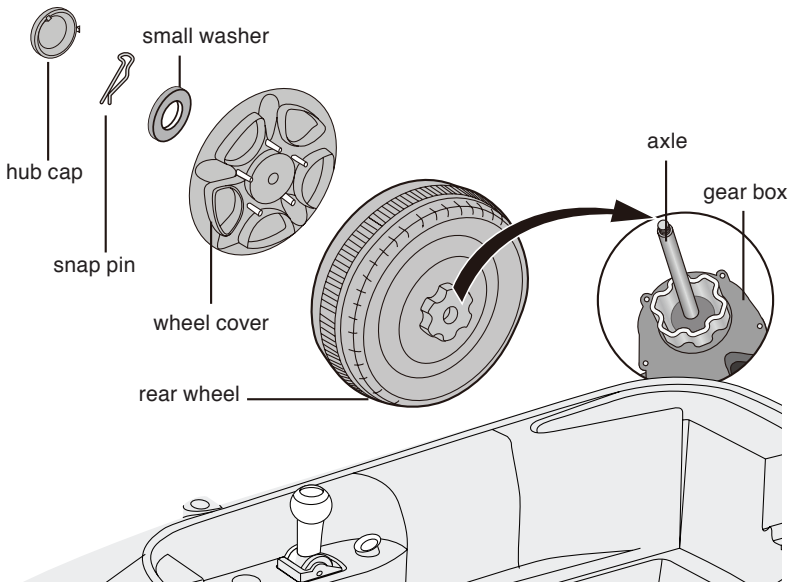


Install the Rear Wheels

1. Locate a wheel (marked “rear” with gear shaped protrusion).
2. Slide the wheel onto the axle with protrusion facing toward the vehicle.
3. Fit the gear shape protrusion into the gear box.
4. Align the five locating pins on the inside of the wheel cover into the wheel holes, and push the wheel cover into place.
5. Slide a small washer and then the snap-pin onto the axle.
6. Align the locks in the hubcap with the holes in the wheel cover. Press the hubcap into place.

NOTE: Do not use a hammer.

7. Repeat steps 1-6 to attach the other wheel.

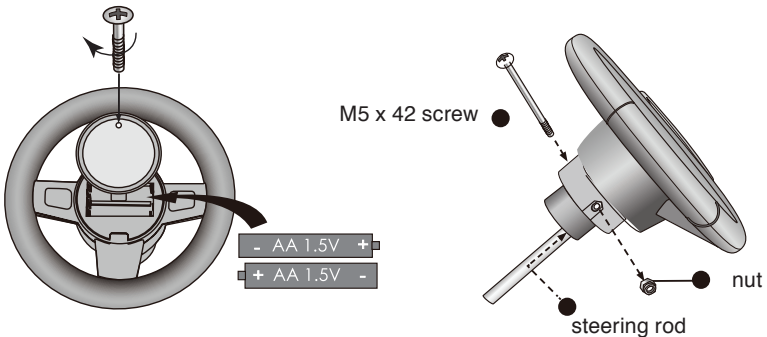
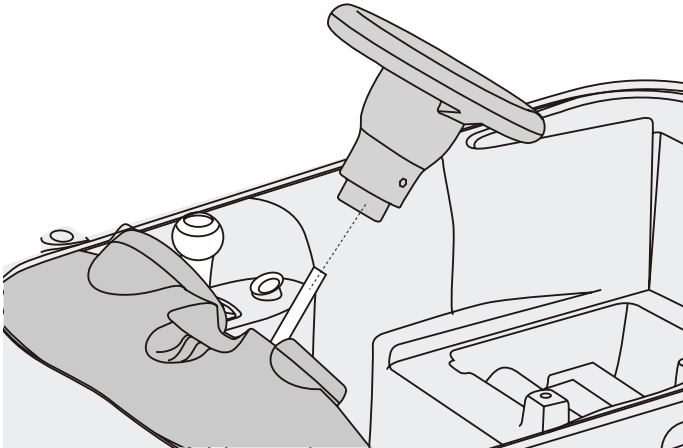


Attaching the Steering Wheel

1. Remove the battery compartment cover and insert (2) AA batteries into the top of the steering wheel. Place and screw the cover back on.
2. Place the steering wheel onto the steering column and line up the screw holes.
3. Insert the screw through the holes and thread the nut onto the screw.
4. Tighten the nut.

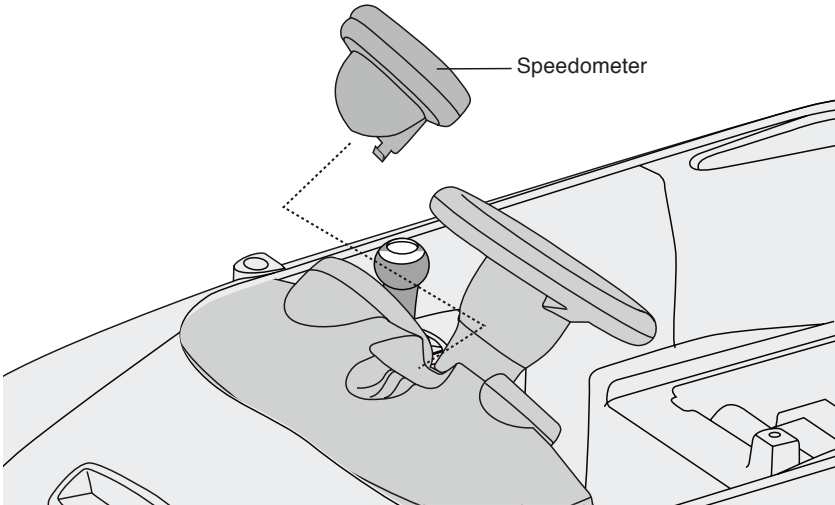
⚠ WARNING!

- DO NOT mix old and new batteries.
- DO NOT mix alkaline, standard (carbon-zinc), or rechargeable (nickel-cadmium) batteries.



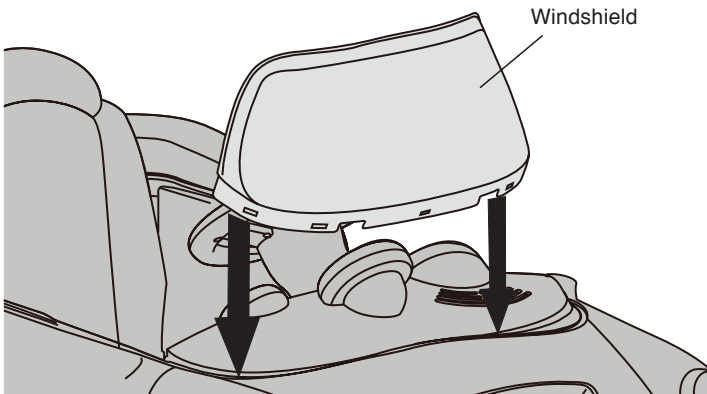
Assemble the Speedometer

Align the speedometer with the slot of the dashboard. Push it slightly until you hear the “click” to complete the assembly.



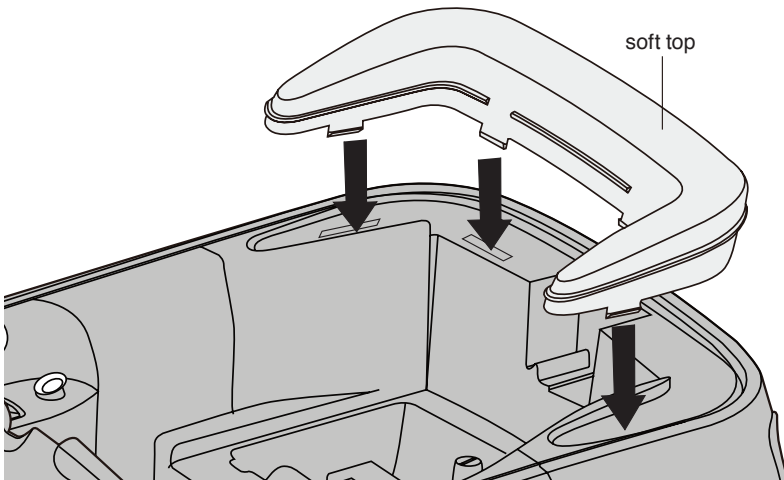
Assemble the Windshield

Align the windshield with the two side slots between the dashboard and the body and push it at the same time. NOTE: the two sides of the windshield must be inserted evenly. Push the middle of the windshield until you hear a “click”. The assembly is completed once you hear the “click.”



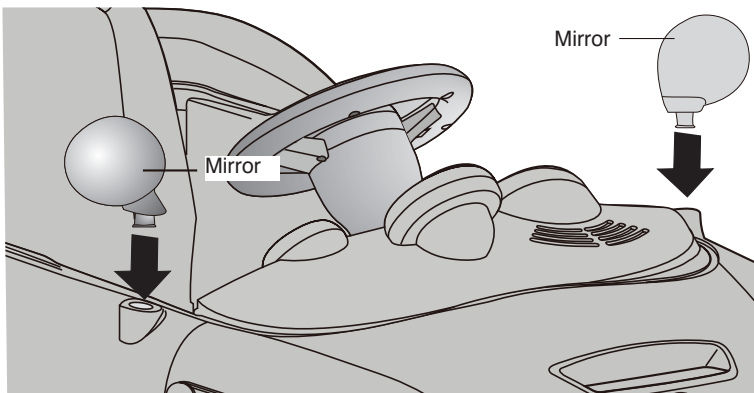
Assemble Soft Top

Align the clip of the soft top with the slot of the rear body, push it slightly until you hear a “click” to complete the assembly.

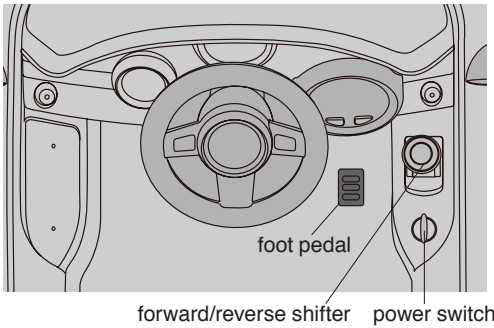


Assemble the Mirror

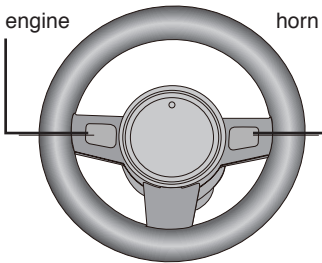
Insert the clip of the mirror into the slot of the body, push it into the slot until you hear a “click” to complete assembly. Please be reminded to differentiate the left and right mirrors.



Using the Controls



Turn the switch to “I”, set the shifter to forward, the car will go forward and front light is working; release pedal switch, the car stop and front light turn off. Turn to the “reverse”, press on pedal, the car will go reverse, release it and the car stop.



Engine sound on left and horn on right.

Maintenance

General

The vehicle should be checked for damage, missing or badly worn parts before use.

- Check the tightness of the fasteners before each use.
- Check the tightness of the wheel nuts. Use a flat head screwdriver to gently pry off the hub caps. **Note:** If the screw nuts are not tight the wheels will not engage the forward gears and the vehicle will not run.
- Ensure the battery bracket is securely in place before use.
- Occasionally use lightweight oil to lubricate moving parts such as wheels and steering linkage. Do not use oil on plastic or nylon parts. No lubrication is required.
- Store the vehicle indoors or cover it with a tarp to protect it from the weather. Keep it away from sources of heat, such as stoves and heaters.
- Clean the vehicle with a soft, dry cloth. To restore shine to plastic parts, use a non-wax furniture polish. Do not use car wax, abrasive cleaners or wash the vehicle with soap and water. Water will damage the motor, electrical system and battery.
- Kid Trax Toys recommends that you take the vehicle to an authorized service center for periodic maintenance and service. Call Kid Trax Toys Consumer Relations at 877-741-6154 for an authorized service center.

Battery

Only an adult who has read and understands the safety warnings (see Assembly) should handle, charge or recharge of the battery. Failure to comply with the following safety warnings may result in serious injury or death.

WARNING!

- DO NOT mix old and new batteries.
- DO NOT mix alkaline, standard (carbon-zinc), or rechargeable (nickel-cadmium) batteries.

WARNING!

The following safety hazards may result in serious injury or death to the user of the MINI Copper S:



- Use of a battery or charger other than the supplied Kid Trax Toys 6V rechargeable battery and charger may cause a fire or explosion. Only use the supplied Kid Trax Toys 6V rechargeable battery and charger with the vehicle.
- Using the Kid Trax Toys 6V rechargeable battery and charger for any other product may result in overheating, fire or explosion. Never use the Kid Trax Toys 6V rechargeable battery and charger with another product.
- Explosive gases are created during charging. Charge the battery in a well ventilated area. Do not charge the battery near heat or flammable materials.
- Contact between the positive and negative terminals may result in fire or explosion. Avoid direct contact between the terminals. Picking up the battery by the wires or charger can cause damage to the battery and may result in a fire. Always pick up the battery by it's case or handles.
- Liquids on the battery may cause fire or electric shock. Always keep all liquids away from the battery and keep the battery dry.



- Contact or exposure to battery leakage (lead acid) may cause serious injury. If contact or exposure occurs immediately call your physician. If the chemical is on the skin or in the eyes, flush with cool water for 15 minutes. If the chemical was swallowed, immediately give the person water or milk. Do not give water or milk if the patient is vomiting or has a decreased level of alertness. Do not induce vomiting.

⚠ WARNING! (cont'd)

The following safety hazards may result in serious injury or death to the user of the MINI Copper S:

- Battery posts, terminals and related accessories contain **lead and lead compounds** (acid), chemicals known to the State of California to cause cancer, reproductive harm and are toxic and corrosive. Never open the battery.



- Tampering or modifying the electric circuit system may cause a shock, fire or explosion and permanently damage the system. Exposed wiring, circuitry in the charger may cause electric shock. Always keep the charger housing closed.

Re-Charge Interval and Time

Important!

- Damage to the battery may occur if it is allowed to drain completely. Do not allow the battery to drain completely.
- Check the battery and charger (supply chord, connector) for wear and damage before charging. Do not charge the battery if damage has occurred. Only replace with a Kid Trax Toys 6V rechargeable battery and charger.

The battery should be charged after each use, or if not used regularly, once a month at a minimum. Charge the battery for a full 16 hours. Do not charge the battery for more than 30 hours. Failure to charge the battery as directed would cause permanent damage to the battery and will void the warranty.

Battery Storage

Do not leave the battery connected in the vehicle for long period of times while not being used. This may drain the battery completely and cause permanent damage. Disconnect the battery connectors from the battery when the vehicle is not going to be used for a long period of time. Follow these guidelines if the battery is removed:

- Store the battery where temperatures are between -10° F (-24° C and 75° F (24° C)
- Store the battery on a wood surface. Do not place the battery on cement floors for extended periods. This will result in battery discharge.
- Wipe the battery clean with a dry cloth prior to storage.
- Charge the battery once every month for 16 hours.

Battery Replacement and Disposal

The Kids Trax Toys 6V battery will eventually lose the ability to hold a charge. Depending on the amount of use, and varying conditions, the battery should operate for one to three years. Follow these steps to replace and dispose the battery:

1. Use a coin to loosen the 2 plastic screws in the seat. Lift the seat up and set aside.
2. Remove screws at bottom of the rear cover. Remove cover.
3. Disconnect the battery connectors.
4. Remove the battery bracket.
5. Carefully lift the battery.
 - Depending on the condition of the battery (i.e.: leakage) you may want to wear protective gloves before removal.
 - Do not lift the battery by its connectors or cables
6. Place the dead battery in a plastic bag.

Important! Recycle the dead battery responsibly. The battery contains lead acid (electrolyte) and must be disposed of properly and legally. It is illegal in most areas to incinerate lead acid batteries or dispose of them in landfills. Take it to a federal or state-approved lead acid battery recycler, such as a Kid Trax Toys authorized service center or your local automotive battery retailer. Do not throw the battery away with your regular household trash!

7. Replace the battery with a Kid Trax Toys 6V battery and reconnect the connectors.
8. Replace the metal battery bracket.
9. Replace the rear cover.
10. Replace the seat.

Battery Fuse

The Kid Trax Toys features a thermal fuse with a reset fuse that will automatically trip and cut all power to the vehicle if the motor, electric system or battery is overloaded. The fuse will reset and power will be restored after the unit is turned **OFF** for 5 Minutes and then turned **ON** again. If the thermal fuse trips repeatedly during normal use, the vehicle may need repair. Call Kid Trax Toys Consumer Relations at 877-741-6154 for an authorized service center.

To avoid losing power, follow these guidelines:

- Do not overload the vehicle
- Do not tow anything behind the vehicle
- Do not drive up steep slopes
- Do not drive into fixed objects, which may cause the wheels to spin, causing the motor to overheat.
- Do not drive in very hot weather; components may overheat.
- Do not allow water or other liquids to come in contact with the battery or other electric components.
- Do not tamper with the electric system. Doing so may create a short, causing the fuse to trip.

Troubleshooting Guide

The following are examples of potential problems. Completely read through this manual and the troubleshooting guide table before calling Kid Trax Toys Consumer Relations. If you still need help resolving the problem please call **877-741-6154**.

Kid Trax Toys recommends that you take the vehicle to an authorized service center for periodic maintenance and service. Call the number listed above for the closest center to you.

Problem	Possible Cause	Remedy
Vehicle does not run	Battery low on power	Recharge battery (see Battery: Recharge Interval and Time)
	Thermal fuse has tripped	Reset fuse (see Maintenance: General)
	Snap pins are loose	Tighten snap pins (see Maintenance: General)
	Battery connector or wires are loose	Check that the battery connectors are firmly plugged into each other. If wires are loose around the motor call Consumer Relations at 877-741-6154
	Battery is dead	Replace battery (see Battery: Replacement and Disposal)
	Electrical system is damaged	Call Consumer Relations at 877-741-6154
	Motor is damaged	Call Consumer Relations at 877-741-6154
Vehicle does not run very long	Battery is under charged	Check that the battery connectors are firmly plugged into each other when recharging (see Battery: Recharge Interval and Time)
	Battery is old	Replace battery (see Battery: Replacement and Disposal)
Vehicle runs sluggishly or beeping occurs	Battery low on power	Recharge battery (see Battery: Recharge Interval and Time)
	Battery is old	Recharge battery (see Battery: Recharge Interval and Time)

Problem	Possible Cause	Remedy
Vehicle runs sluggishly or beeping occurs	Vehicle is overloaded	Reduce weight on vehicle (see User Requirements and Safety Warnings)
	Vehicle is being used in harsh conditions	Operate the vehicle level ground and firm surfaces (see User Requirements and Safety Warnings)
Vehicle needs a push to go forward	Poor contact of wires or connectors	Check that battery connectors are firmly plugged into each other. If wires are loose around the motor call Consumer Relations at 877-741-6154
	“Dead Spot” on motor	A dead spot means the electric power is not being delivered to the terminal connection and the vehicle needs repair. Call Consumer Relations at 877-741-6154
Difficult shifting from forward to reverse or visa-versa	Attempting to shift while the vehicle is in motion	Completely stop the vehicle and shift (see Use: Manual Operation))
Loud grinding or clicking noises coming from motor or gear box	Motor or gears are damaged	Call Consumer Relations at 877-741-6154 for an authorized service center
6V Battery will not recharge	Battery connector or adapter connector is loose	Check that battery connectors are firmly plugged into each other
	Charger not plugged in	Check that battery charger is plugged into a working wall outlet
	Charger is not working (lights not glowing)	Call Consumer Relations at 877-741-6154
Battery bubbles or gurgles when charging	This is normal and not a cause for concern	
Charger feels warm when recharging	This is normal and not a cause for concern	

Services, Repairs and Parts

Do not return this product to the place of purchase. If your MINI Cooper S needs service, repairs or replacement parts, call:

Kid Trax Toys Consumer Relations

Hours: 8:00am – 5:00pm (CST) Monday - Friday

Phone: **877-741-6154**

Email: customerservice@kidtraxtoys.com

Web: www.kidtraxtoys.com

For service and repairs you will be directed to an authorized service center. To order parts have the model and serial number and a brief description of the part.

The following is a list of available replacement parts:

- Front wheel
- Rear wheel
- Wheel cover
- Hub caps
- Hardware bag for wheel assembly
- Hardware bag for dashboard and steering column
- Seats
- 6-volt battery
- Charger
- Mirrors
- Steering Wheel

FCC Information

This device complies with part 15 of the FCC Rules. Operation is subject to the following two conditions (1) this device may not cause harmful interference, and (2) this device must accept any interference received, including interference that may cause undesired operation.

This equipment has been tested and found to comply with the limits for a Class B digital device, pursuant to Part 15 of the FCC rules. These limits are designed to provide reasonable protection against harmful interference in a residential installation.

This equipment generates, uses and can radiate radio frequency energy and, if not installed and used in accordance with the instructions, may cause harmful interference to radio communications. However, there is no guarantee that interference will not occur in a particular installation. If this equipment does cause harmful interference to radio or television reception, which can be determined by turning the equipment off and on, the user is encouraged to try to correct the interference by one or more of the following measures:

- Reorient or relocate the receiving antenna.
- Increase the distance between the equipment and the receiver.
- Consult dealer or an experienced radio/TV technician for help.
- Connect the equipment into an outlet on a circuit different from that to which the receiver is connected.

Caution: Changes or modifications not expressly approved by the party responsible for compliance could void the user's authority to operate the equipment.

Warranty

One-Year Limited Warranty

Six-Month Limited Warranty on Battery

Pacific Cycle, Inc. (PC) warrants this product to the original retail purchaser as follows:

The vehicle (except for the 6-volt battery) is warranted against defective materials or workmanship for one year from the date of original purchase. The 6-volt battery is warranted against defective materials or workmanship for six months from the date of original purchase. **An original receipt is required to validate your warranty.** PC will, at its option, provide replacement parts or replace this product. PC reserves the right to substitute if the part or model has been discontinued.

To make a claim under this warranty you may contact us at www.kidtraxtoys.com; fax us at 1-800-858-2800, 24 hours a day; write to Kid Trax Consumer Relations Department, Kid Trax Toys, P.O. Box 344 Olney, IL 62450 or call 1-877-741-6154 from 8 a.m. to 5 p.m., Monday through Friday, CST. Proof of purchase is required, and shipping charges are the responsibility of the consumer.

Warranty Limitations:

This warranty does not include damages which arise from accident, misuse, abuse, neglect or other causes not arising out of defects in materials or workmanship, nor does it cover damages arising out of service by other than an authorized PC service center. For personal use only. Not for commercial use. The original owner shall pay all labor charges connected with the repair or replacement of all parts. Under no circumstances does this limited warranty include the cost of shipment or transportation to or from an authorized Kid Trax repair center or Kid Trax retailer.

Limitation of Damages:

The warranty and remedies as set forth are exclusive and in lieu of all others, oral or written, expressed or implied. In no event will PC or the dealer selling this product be liable to you for any damages, including incidental or consequential damages, arising out of the use or inability to use this product. Some states do not allow limitations as the exclusion or limitation of incidental or consequential damages, so the above limitation may not apply to you.

Limitation of warranties and other warranty terms:

Any implied warranties, including implied warranties of the merchantability and fitness for a particular purpose, shall be limited to the duration and terms of the express written warranty. Some states do not allow limitations as the exclusion or limitation of incidental or consequential damages, so the above limitation may not apply to you. This warranty gives you specific legal rights, and you may have other rights, which vary from state to state. Neither PC nor the dealer selling this product authorized any person to create for it any other warranty, obligation or liability in connection with this product.

Contact Information

If you have any questions or comments please contact us at:

In U.S.A.
Pacific-Cycle Inc.
4902 Hammersly Rd.
Madison, WI 53711

Customer Service:
877-741-6154
customerservice@kidtraxtoys.com
www.kidtraxtoys.com

Distributed by Toys “R” U.S.. Inc.

© 2011 Geoffrey, Inc.
Distributed by Toys “R” U.S.. Inc. Wayne, NJ 07470
Made in China