

KENMORE LIMITED WARRANTY

FOR ONE YEAR from the date of sale this appliance is warranted against defects in material or workmanship when it is correctly installed, operated and maintained according to all supplied instructions.

WITH PROOF OF SALE a defective appliance will be replaced free of charge. For warranty coverage details to obtain free replacement, visit the web page: www.kenmore.com/warranty

This warranty is void if this appliance is ever used for other than private household purposes.

This warranty does not cover the interior light bulb, which is an expendable part that can wear out from normal use.

This warranty gives you specific legal rights, and you may also have other rights which vary from state to state.

Sears Brands Management Corporation, Hoffman Estates, IL 60179

GARANTÍA LIMITADA DE KENMORE

DENTRO DE UN AÑO a partir de la fecha de venta, este electrodoméstico posee garantía contra defectos en los materiales o en la mano de obra cuando se instale, opere y mantenga correctamente de acuerdo con todas las instrucciones provistas.

CON EL COMPROBANTE DE VENTA, un electrodoméstico defectuoso será reemplazado gratuitamente.

Para ver los detalles de cobertura de la garantía a fin de obtener un reemplazo gratis, visite la página web: www.kenmore.com/warranty Esta garantía no cubre la bombilla de luz interior, que es una pieza consumible que se puede desgastar con el uso normal dentro del periodo de garantía.

Esta garantía se anula si este electrodoméstico se usa para cualquier propósito que no sea el uso doméstico privado.

Esta garantía le otorga derechos legales específicos, y es posible que tenga también otros derechos, los cuales varían de un estado a otro. Sears Brands Management Corporation, Hoffman Estates, IL 60179



Use & Care Guide Manual de Uso y Cuidado English/ Español

Kenmore® Compact Refrigerator 4.5 cu. ft. Compacto Refrigerador 4.5 cu. ft.

Models / Modelos: 111.9905*

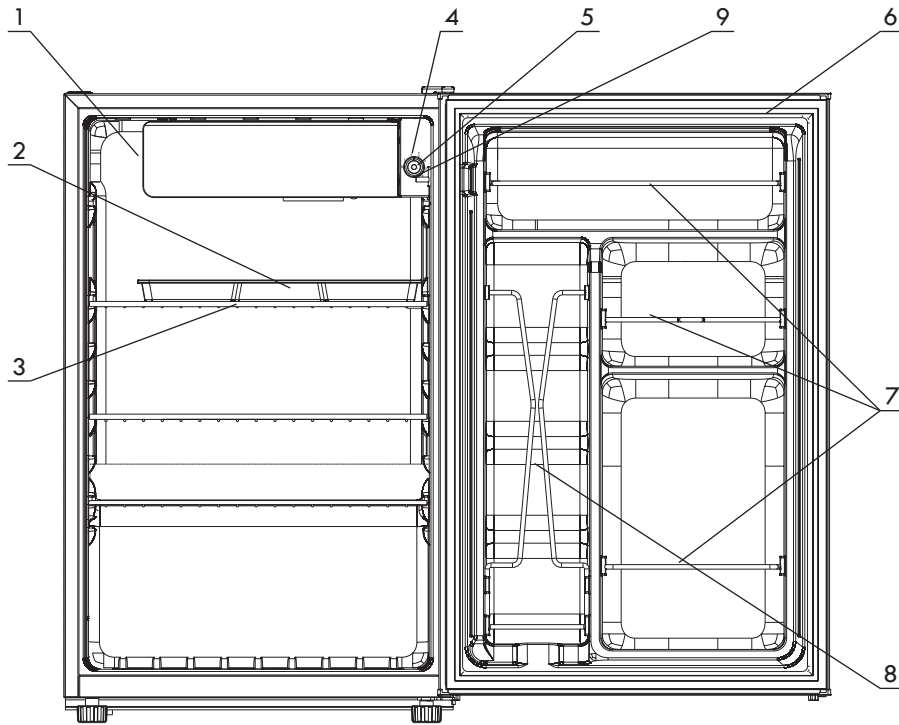
* = color number, número de color

**Customer Assistance/Asistencia al Cliente
1-844-553-6667 press 2/presione 2**

Sears Brands Management Corporation
Hoffman Estates, IL 60179 U.S.A.
www.kenmore.com
www.sears.com



PARTS AND FEATURES



1. Built-in freezer
2. Drip tray
3. Removable shelf
4. Temperature control knob
(Turn to right to raise; turn to left to lower)
5. Defrost button
6. Door seal (gasket)
7. Bottle rack
8. Tall bottle storage
9. Lamp switch

Customer Assistance

For the most prompt assistance to order available replacement parts for this appliance, call 1-844-553-6667 and select option 2 "If you have purchased your Kenmore item at any other store".

SAVE THESE INSTRUCTIONS

 **DANGER**

Risk of child entrapment. Before you throw away your old refrigerator, take off the doors. Leave the shelves in place so that children may not easily climb inside.

CFCs/HCFCs DISPOSAL

Your old refrigerator may have a cooling system that used CFCs or HCFCs (chloro fluoro-carbons or hydro-chloro-fluoro-carbons). CFCs and HCFCs are believed to harm stratospheric ozone if released to the atmosphere. Other refrigerants may also cause harm to the environment if released to the atmosphere. If you are throwing away your old refrigerator, make sure the refrigerant is removed for proper disposal by a qualified technician. If you intentionally release refrigerant, you may be subject to fines and imprisonment under provisions of environmental legislation.

WARNING: When handling, moving, using or cleaning this refrigerator, be careful to avoid damaging refrigerant tubing. Tubing damage may allow flammable refrigerant gas leakage, which can result in personal injury.

Thank you for purchasing this Kenmore product. This easy-to-use manual will guide you in getting the best use of your refrigerator.

PRODUCT RECORD

Staple your receipt to this manual.

Record the model and serial number of your unit in the spaces provided to the right.

Model number:

Serial number:

!WARNING!

The use of this appliance can expose you to chemicals known to the state of California to cause cancer, birth defects, or other reproductive harm. For more information go to www.P65Warnings.ca.gov

PREPARING TO USE YOUR REFRIGERATOR

Unpacking Your Refrigerator

1. Remove all packaging material. This includes the foam base and all adhesive tape holding the refrigerator accessories inside and outside. Slide out and remove the plastic or foam guard used to protect the compressor from shipping damage due to vibration or shock.
2. Inspect and remove any remaining packaging, tape or printed materials before powering on the refrigerator.
3. Check to be sure you have all accessories and parts listed in the Parts and Features section.

Proper Air Circulation

To ensure that your refrigerator works at the maximum efficiency it was designed for, you should install it in a location where this is proper air circulation, plumbing and electrical connections.

The following are recommended clearances around the refrigerator:

- Sides 4 inches (10 cm)
Top 12 inches (30 cm)
Back 4 inches (10 cm)

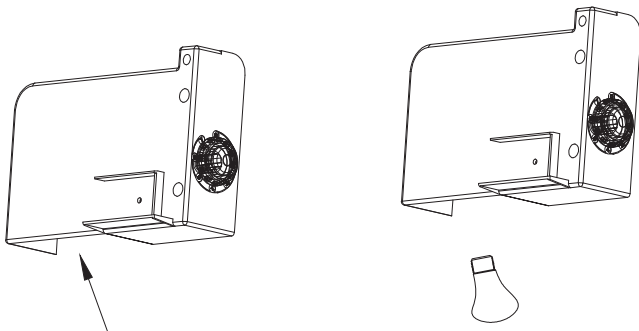
Electrical Requirements

Make sure there is a suitable power outlet (120 volts, 15 amps) with proper grounding to power the refrigerator.

Interior light bulb replacement

If the interior 10 watt appliance light bulb burns out, remove the light bulb cover and replace bulb as follows:

1. Unplug refrigerator from power outlet.
2. Loosen and remove the bulb from its socket by rotating counterclockwise.
3. Insert new bulb and screw into socket.
4. Plug refrigerator back into power outlet.



IMPORTANT SAFETY INSTRUCTIONS

⚠ WARNING

The guidelines must be followed to ensure that safety mechanisms in this unit will operate properly.

The unit must be plugged into its own dedicated 10 amp, 120 Volt, 60 Hz. AC only electrical outlet.

The power cord of the appliance is equipped with a three-prong grounding plug for your protection against shock hazards. It must be plugged directly into a properly grounded three-prong receptacle. The receptacle must be installed in accordance with local codes and ordinances. Consult a qualified electrician.

WARNING: Do not use an extension cord or adapter plug.

Do not use appliance if power cord is damaged or frayed. Take appliance to qualified service dealer for inspection and possible repair.

Never unplug the appliance by pulling on the power cord. Always grip the plug firmly, and pull straight from the receptacle to prevent damaging the power cord. If your unit has an internal light, unplug the appliance before cleaning and before replacing a light bulb to avoid electrical shock.

Performance may be affected if the voltage varies by 10% or more. Operating the unit with insufficient power can damage the motor. Such damage is not covered under the warranty.

Do not plug the unit into an outlet controlled by a wall switch or pull cord to prevent the appliance from being turned off accidentally.

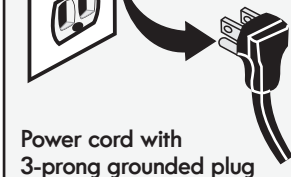
Avoid connecting unit to a Ground Fault Circuit Interrupter (GFCI).

⚠ DANGER

Risk of fire or explosion.
Flammable refrigerant used.
To be repaired only by trained service personnel. Do not use mechanical instruments to remove frost from interior walls.
Do not puncture refrigerant tubing.

⚠ WARNING Grounding type wall receptacle

Do not, under any circumstances, cut, remove, or bypass the grounding prong.



Power cord with 3-prong grounded plug

OPERATING YOUR REFRIGERATOR

Installation

Your refrigerator is designed for freestanding installation only. It should not be recessed or built-in. Place the refrigerator on a floor strong enough to support it fully loaded. When moving the refrigerator, never tilt it by more than a 45 degree angle, this could damage the compressor and the sealed system.

If the refrigerator has been tilted more than 45 degrees, let it stand in an upright position for at least 24 hours prior to plugging it into the power source. This will allow the refrigerant to settle and reduce the possibility of a malfunction in the cooling system. Plug the refrigerator into its own dedicated, properly installed grounded wall outlet. Do not plug another appliance into the same outlet as the refrigerator.

Do not under any circumstances cut or remove the third (grounding) prong from the power cord. See the **⚠ WARNING** in **IMPORTANT SAFETY INSTRUCTIONS** section. Any questions concerning power and/or grounding should be directed toward a certified electrician or other qualified service dealer.

After plugging the appliance into a wall outlet, allow the unit to cool down for 2-3 hours before placing food into the refrigerator.

Installation Limitations

Do not install your refrigerator in any location not properly insulated or heated, such as a garage etc. Your refrigerator was not designed to operate in temperature settings below 55° Fahrenheit. Select a suitable location for the refrigerator on the hard even service away from direct sunlight or heat sources such as radiators, baseboard heaters, cooking appliances, etc.

Leveling Feet

There are two leveling feet on the bottom of the unit near the unit front. Turn the leveling foot knobs to the left to raise the cabinet, and to the right to lower the cabinet.

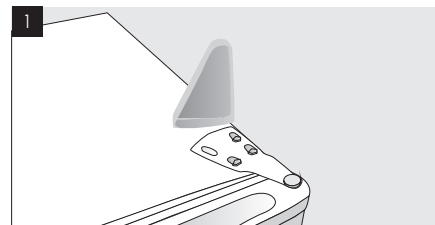
DOOR REVERSAL

DOOR REVERSAL

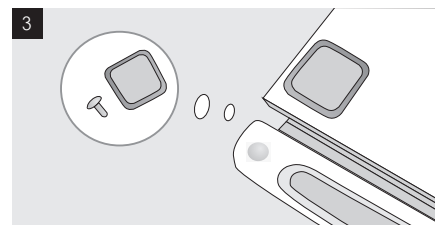
WARNING: Unplug the refrigerator before performing door reversal process. Failure to unplug may result in serious injury or death from electrical shock.

CAUTION: To avoid personal injury and property damage, obtain assistance from another person to perform the door reversal process.

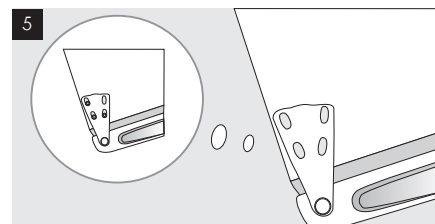
Reversible door hinge allows you to open from the left or right side.



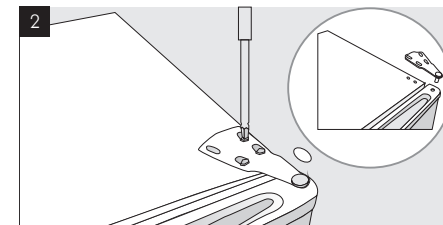
Using a flat blade screwdriver, remove the plastic hinge cover from the top of the door. Be careful not to scratch refrigerator surface.



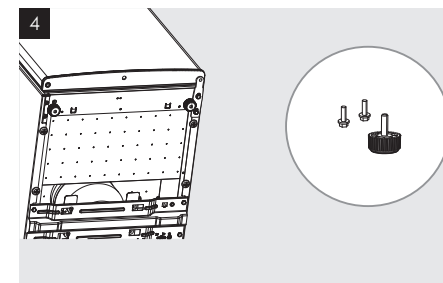
On the opposite side of the unit, use a thin-bladed tool to carefully pry up and remove the hole plug from top of door and plastic square cover from top of cabinet. Insert plug and cover into provided hole on opposite side of door and into holes exposed by removal of top hinge bracket.



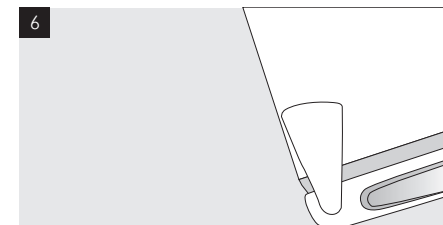
Mount the door onto the bottom bracket. Insert top bracket hinge pin into hole in top of door. Use the three previously removed screws to attach back of top bracket to cabinet.



Using a slotted screwdriver, unscrew the three screws from the top hinge bracket. Remove the bracket. Lift and remove the door from the bottom hinge pin. Set door safely aside.



Unscrew and remove the bottom foot from over the hinge bracket. Use a slotted screwdriver to remove the two screws attaching bracket to the cabinet. Remove bracket and replace foot. On the opposite side of the unit, remove the foot and attach bracket with the same screws. Replace foot.



Replace the plastic hinge cover over the top hinge bracket.

7 Check that the door is aligned horizontally and vertically with the the perimeter of the cabinet opening before finally tightening the top hinge. After tightening, adjust the leveling feet if necessary to align the door evenly with the floor.

CAUTION: If the refrigerator has been placed in a horizontal or tilted position for ease of doing reversal, wait 24 hours before plugging it in. Plugging in sooner may result in permanent damage to cooling system.

FEATURES AND USE

Holder Bars

The inside of the refrigerator door is equipped with a holder bars to keep food packages, bottles and pop cans securely in place on the door shelves.

Initial Use

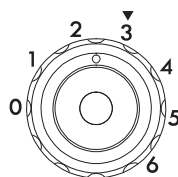
To reach the set coldness level when operating the refrigerator for the first time, run it without food load until you hear the compressor stop. This usually takes 2 to 3 hours. Once the set temperature is reached, load food into the refrigerator.

Note: If the refrigerator has been placed in a horizontal or tilted position for any period of time, wait 24 hours before plugging it in.

Temperature Control

The first time you turn the unit on, adjust the temperature control knob to recommended setting (3) and give unit time to cool down completely before adding food. If food does not cool to your satisfaction, turn dial past 3 to increase coldness or turn dial back from 3 to decrease coldness. Turning dial to colder setting will increase the freezing capability of the freezer compartment, but also increases the coldness of the refrigerator section.

Note: Turning the temperature control knob to the 0 position will stop the cooling cycle but does not shut off power to the unit.



Defrosting the Freezer

⚠ WARNING

- When being defrosted the appliance must be unplugged to avoid the risk of electrical shock.
- DO NOT use a sharp or metallic instrument to remove frost from the refrigerator interior, as damage to refrigerant tubing may occur. Tubing damage may allow flammable refrigerant gas leakage, which can result in injury to persons.

The built-in freezer compartment is designed to keep contents below 32 °F. Defrost the freezer whenever frost accumulates to a thickness of 1/8" or more on freezer walls.

Note that frost tends to accumulate more during summer months.

To defrost freezer, push in the button in the center of the control dial to shut off power to the refrigerator. Unplug the refrigerator from the electrical outlet.

Remove all food from refrigerator and freezer compartments. Place the drip tray on the shelf immediately beneath the freezer. Defrosting may take several hours, so store food in another refrigerator in the meantime.

To speed up defrost time, keep the door open and place a bowl of warm water in the refrigerator.

During defrosting water will accumulate in the freezer compartment. After defrosting is complete, empty water from drip tray and freezer compartment. Wipe down both compartments.

Turn the control dial to the left as far as it will go to pop the button in the center of the control dial out. The button must be popped out to return power to the refrigerator once it is plugged back in. Turn dial to right if turning to left doesn't pop button out.

Plug refrigerator back into electrical outlet and set control dial to desired number. Once interior has sufficiently cooled, place food back into refrigerator and freezer.

CAUTION: DO NOT use boiling water to melt frost accumulation on freezer walls, as it may damage plastic parts.

CARE AND CLEANING

Normal Operating Sounds You May Hear

Gurgling sounds or slight vibrations that are the result of the refrigerant circulating through the cooling coils.

The thermostat control will click when it cycles on and off.

Cleaning and Maintenance

WARNING: To avoid electric shock, always unplug your refrigerator before cleaning. Ignoring this warning may result in injury or death.

CAUTION: Before using cleaning products, always read and understand the cleaning processes explained in this manual. Follow cleaning product manufacturer's instructions and warnings to avoid personal injury or product damage.

General Cleaning

Prepare a cleaning solution of 1 to 2 tablespoons of baking soda mixed with warm water. Use a sponge or soft cloth, dampened with the cleaning solution, to wipe down your refrigerator.

Rinse sponge or cloth with clean water, and wipe surfaces clear of any cleaning solution residue.

Wipe all surfaces and racks dry with a soft cloth before resuming operation.

Do not use harsh chemicals, abrasives, ammonia, chlorine bleach, concentrated detergents, solvents for metal scouring pads. Some of these chemicals may dissolve, damage and/or discolor your refrigerator.

Door Gaskets

Clean door gaskets every three months according to the instructions described above in General Cleaning.

Gaskets must be kept clean and pliable to ensure a proper seal.

Petroleum jelly applied lightly on the hinge side of gaskets will keep the gaskets pliable and ensure a good seal.

Power Interruptions

Occasionally there may be power interruptions due to thunderstorms or other causes.

Remove the power cord plug from the AC outlet when a power outage occurs. When power has been restored after a prolonged outage, inspect all food for spoilage. Clean the inside of the refrigerator and freezer compartment before reuse.

Vacation and Moving Care

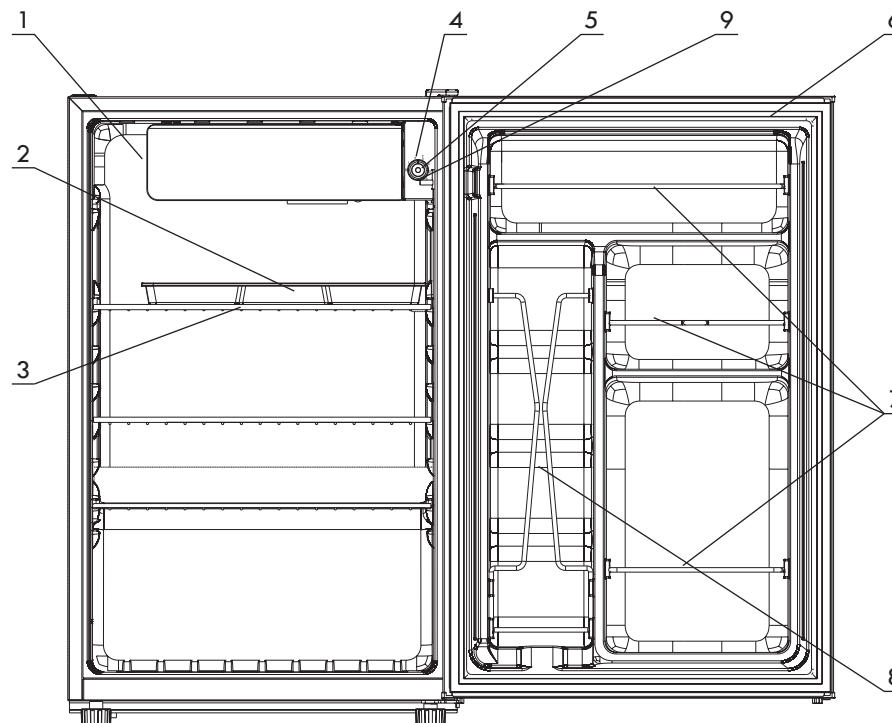
For long vacations or absences, unplug the unit, empty food from both compartments, move the temperature dial to the 0 position and clean the door gaskets according to the General Cleaning section. Prop door open, so air can circulate inside. When moving, always move the refrigerator vertically. Do not move unit when in a horizontal position, as possible damage to the sealed system could occur.

WARNING: When handling, moving, using or cleaning this refrigerator, be careful to avoid damaging refrigerant tubing. Tubing damage may allow flammable refrigerant gas leakage, which can result personal injury.

TROUBLESHOOTING

CONCERN	POTENTIAL CAUSE	COMMON SOLUTION
Does not work	<ol style="list-style-type: none"> 1. No power to unit 2. Power cord is unplugged 3. Wrong voltage is being used 	<ol style="list-style-type: none"> 1. Check connection of power cord to power source 2. Plug in the unit 3. Use proper voltage
Refrigerator runs continuously	<ol style="list-style-type: none"> 1. Temperature set too low (too cold) 2. Door is not closed 3. Hot food inserted 4. Door opened to long or too often 5. Close proximity to heat source or direct sunlight 	<ol style="list-style-type: none"> 1. Set the temperature higher (warmer) 2. Close door securely 3. Be sure food is at room temperature before inserting 4. Minimize door openings/duration 5. Do not place unit close to heat sources or direct sunlight
Internal temperature not cold enough	<ol style="list-style-type: none"> 1. No power to unit 2. Power cord is unplugged 3. Temperature control set too high (too warm) 4. Door is not closed 5. Hot food inserted 6. Door opened too long or too often 7. Airflow obstruction 8. Wrong voltage is being used 9. Close proximity to heat source or direct sunlight 	<ol style="list-style-type: none"> 1. Check connection of power cord to power source 2. Plug in unit 3. Check the setting and change as needed 4. Close door securely 5. Be sure that food is at room temperature 6. Minimize door openings/duration 7. Allow room for air to circulate around the unit 8. Use proper voltage 9. Do not place unit close to heat sources or direct sunlight

PIEZAS Y CARACTERÍSTICAS



1. Construido en el congelador
2. Bandeja de goteo
3. Repisa removable
4. Oerilla de control de temperatura
(Gire hacia la derecho para subir, hacia la izquierda para bajar)
5. botón de descongelamiento
6. Junta de la Puerta
7. Botellero
8. Almacenamiento de botellas atlas
9. Interruptor de la lámpara

Asistencia al cliente

Para obtener la asistencia más rápida para solicitar repuestos disponibles para este electrodoméstico, llame al 1-844-553-6667 y seleccione la opción 2 "Si ha comprado su artículo Kenmore en cualquier otra tienda".

CONSERVE ESTAS INSTRUCCIONES

⚠ PELIGRO

Riesgo de atrapamiento para niños. Antes de desechar su refrigerador viejo, asegúrese de remover las puertas. Deje las repisas en su lugar para que los niños no puedan entrar con facilidad.

ELIMINACIÓN DE CFC/HCFC

Su refrigerador viejo puede tener un sistema de enfriamiento que usa CFC/HCFC (clorofluorocarbonos o hidroclorofluorocarbonos). Se cree que los CFC/HCFC pueden dañar la capa de ozono si se liberan a la atmósfera. Otros refrigerantes también pueden dañar el ambiente si son liberados a la atmósfera. Cuando deseche su refrigerador viejo, asegúrese que los refrigerantes son removidos por un técnico calificado y eliminados de la manera correcta. Si descarga refrigerante a la atmósfera a propósito, puede estar sujeto a multas y encarcelamiento según las disposiciones de la legislación ambiental.

ADVERTENCIA: Cuando manipula, mueve, usa o limpia este refrigerador, tome las precauciones necesarias para evitar dañar los tubos de refrigerante. Los tubos dañados pueden crear escapes de gas refrigerante inflamable que puede causar lesiones personales.

Gracias por comprar este producto Kenmore. Este manual fácil de usar lo guiará para sacarle el máximo provecho a su refrigerador.

REGISTRO DEL PRODUCTO

Engape su recibo a este manual.

Escriba el modelo y el número de serie de su unidad en los espacios provistos a la derecha.

Número de modelo: _____

Número de serie: _____

¡ADVERTENCIA!

El uso de este electrodoméstico puede exponerlo a sustancias químicas que el estado de California considera que causan cáncer, defectos de nacimiento u otros daños reproductivos. Para obtener más información, vaya a HYPERLINK "<http://www.P65Warnings.ca.gov>" www.P65Warnings.ca.gov

PREPÁRESE PARA USAR SU REFRIGERADOR

Desempaque su refrigerador

1. Remueva todo el material de empaque. Esto incluye la base de espuma y las cintas adhesivas que sostienen los accesorios dentro y fuera del refrigerador. Deslice y descarte todos los protectores de plástico o espuma que protegen el compresor contra daños durante el transporte debido a vibración y golpes.
2. Inspeccione y retire cualquier empaque, cintas adhesivas y material impreso restantes antes de encender el refrigerador.
3. Asegúrese que recibió todos los accesorios y piezas listados en la sección de piezas y características.

Circulación de aire adecuada

Para asegurar que su refrigerador funcionará a la máxima eficiencia para la que fue diseñado, debe instalarlo en un lugar con las características apropiadas de circulación de aire, tuberías y conexiones eléctricas.

Estas son las distancias de separación recomendadas alrededor del refrigerador:

Laterales:3/4 pulgada (19mm)

Parte superior:2 pulgadas (50mm)

Parte posterior:2 pulgadas (50mm)

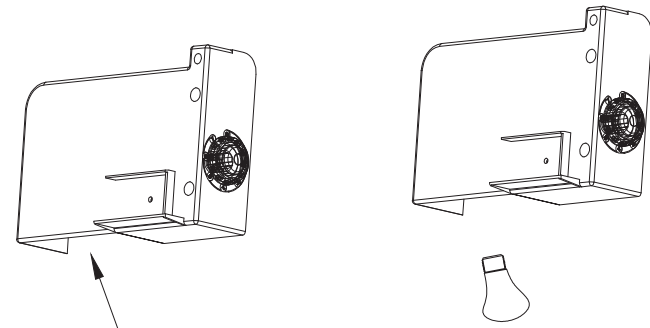
Requisitos eléctricos

Asegúrese de tener una fuente de alimentación apropiada (115 voltios, 15 amperios) con una conexión a tierra adecuada para la alimentación del refrigerador.

Reemplazo bombilla de luz interior

Si se quema la bombilla del aparato interno de 10 vatios, retire la cubierta de la bombilla y reemplace la bombilla de la siguiente manera:

1. Desconecte el refrigerador de la toma de corriente.
2. Afloje y quite la bombilla de su enchufe girando en sentido antihorario.
3. Inserte la nueva bombilla y atorníllela en el casquillo.
4. Enchufe el refrigerador nuevamente a la toma de corriente.



INSTRUCCIONES DE SEGURIDAD IMPORTANTES

⚠️ ADVERTENCIA

Debe seguir estas instrucciones para asegurar que los mecanismos de seguridad en esta unidad funcionen correctamente.

La unidad debe estar enchufada a un tomacorriente dedicado, no compartido, de 120 voltios, 10 amperios y 60 Hz.

Este electrodoméstico viene equipado con un cordón con un enchufe de tres patas para su protección contra descargas eléctricas. Debe estar enchufado directamente a un tomacorriente de tres tomas con una conexión a tierra adecuada. El enchufe debe estar instalado de acuerdo a los códigos y ordenanzas locales. Si tiene preguntas consulte a un electricista certificado.

ADVERTENCIA: Nunca use una extensión o un adaptador para el enchufe.

No utilice el electrodoméstico si el cable de alimentación está dañado o raído. Lleve la unidad a un centro de servicio calificado para su inspección y posible reparación. electricista certificado. Nunca desenchufe el electrodoméstico halando el cable de alimentación. Agarre el enchufe con firmeza y sáquelo directamente del tomacorriente para evitar dañar el cordón eléctrico. Si su unidad tiene una luz interna, desconecte el electrodoméstico antes de limpiar o cambiar la bombilla para evitar una descarga eléctrica. Una variación del voltaje de 10% o más puede afectar el rendimiento. Operar la unidad con una fuente de alimentación insuficiente puede dañar el motor. Este tipo de daño no está cubierto por la garantía. No enchufe la unidad a un tomacorriente controlado por un interruptor de pared o hale el cordón de alimentación para prevenir que la unidad se desconecte accidentalmente. Evite conectar la unidad a un interruptor del circuito de fallos de conexión a tierra (GFCI). Avoid connecting unit to a Ground Fault Circuit Interrupter (GFCI).

⚠️ PELIGRO

Peligro de fuego o explosiones.
Usa refrigerante inflamable.
Solo puede ser reparado por personal de servicio calificado.
No utilice instrumentos mecánicos para remover la escarcha de las paredes interiores.
Cuidado de no perforar los tubos del refrigerante.



OPERACIÓN DEL REFRIGERADOR

Instalación

Su refrigerador solo está diseñado para instalaciones independientes. No debe ser empotrado o incorporado en un gabinete. Coloque el refrigerador sobre una superficie lo suficientemente fuerte para soportarlo completamente cargado. Si mueve su refrigerador, nunca lo incline más de 45 grados. Esto puede dañar el compresor y el sistema sellado. Si el refrigerador ha sido inclinado más de 45 grados, déjelo reposar en su posición vertical por lo menos 24 horas antes de enchufarlo. Esto permite que el refrigerante se estabilice y reduce la posibilidad de un fallo en el sistema de enfriamiento. Enchufe el refrigerador a un tomacorriente, no compartido, con la conexión a tierra adecuada. No conecte otros electrodomésticos en el mismo tomacorriente que el refrigerador. Bajo ninguna circunstancia corte o remueva la tercera pata (la conexión a tierra) del enchufe. Vea ⚠️ **ADVERTENCIA** en la sección **INSTRUCCIONES DE SEGURIDAD IMPORTANTES**. Cualquier pregunta acerca de la alimentación o la conexión a tierra debe ser dirigida a un electricista certificado o a un centro de servicio autorizado.

Después de conectar el electrodoméstico a un tomacorriente, permita que la unidad se enfríe por 2-3 horas antes de colocar alimentos en el refrigerador.

Limitaciones de la instalación

No instale su refrigerador en un lugar caliente o sin el aislamiento adecuado, como un garaje. Su refrigerador no fue diseñado para operar en temperaturas por debajo de 55°F. Seleccione una ubicación adecuada para el refrigerador en una superficie sólida y nivelada lejos de la luz solar directa o fuentes de calor, como radiadores, calentadores, cocinas.

Patatas niveladoras

Hay dos patas niveladoras en la parte inferior de la unidad, cerca del frente. Gírela hacia la izquierda para levantar el gabinete, y hacia la derecha para bajar el gabinete.

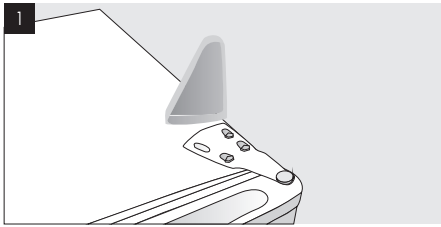
PUERTAS REVERSIBLES

PUERTAS REVERSIBLES

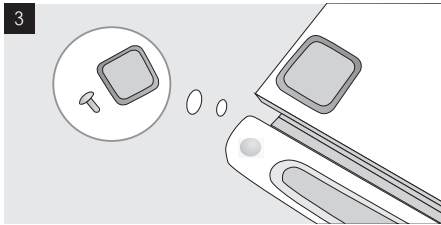
ADVERTENCIA: Desenchufe el refrigerador antes de iniciar el proceso de invertir la puerta. No hacerlo puede resultar en lesiones graves incluso muerte debido a descargas eléctricas.

AVISO: Para evitar lesiones personales y daños a la propiedad, se necesitan dos personas para completar el proceso de invertir las puertas.

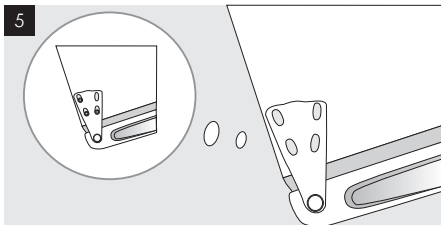
La bisagra reversible de la Puerta le permite abrir desde el lado izquierdo o derecho.



Utilice un destornillador de cabeza plana, para quitar la cubierta plástica de la bisagra en la parte superior de la puerta. Tenga cuidado para no arañar la superficie del refrigerador.



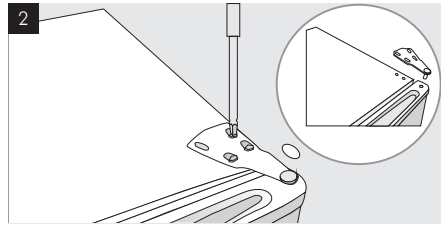
En el lado opuesto de la unidad, utilice una herramienta de hoja delgada para levantar cuidadosamente y quitar el tapón del orificio de la parte superior de la puerta y la tapa cuadrada de plástico de la parte superior del gabinete, y cubrir en el agujero provisto en el lado opuesto de la puerta y en los orificios expuestos al retirar el soporte de la bisagra superior.



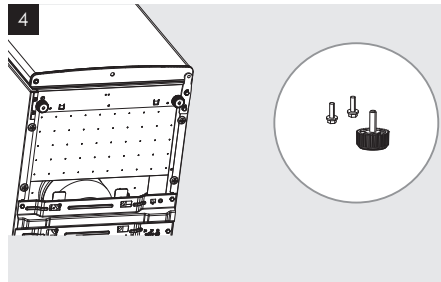
Monte la puerta en el soporte inferior. Inserte el pasador de la bisagra del soporte superior en el orificio en la parte superior de la puerta. Utilice los tres tornillos que retiró anteriormente para colocar la parte posterior del soporte superior en el gabinete.

7 Verifique que la puerta está alineada horizontal y verticalmente con la apertura del perímetro del gabinete antes de apretar la bisagra superior. Después, ajuste las patas niveladoras si es necesario para alinear la puerta pareja con la superficie.

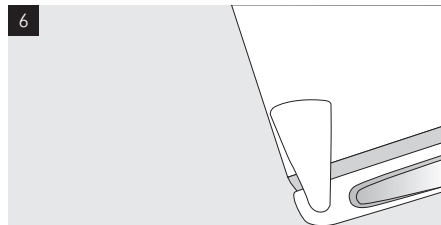
AVISO: Si el refrigerador ha sido colocado en una posición horizontal o inclinado para facilitar la inversión de la puerta, espere 24 horas antes de enchufarlo. Si lo conecta antes de tiempo puede causar daño permanente al sistema de enfriamiento.



Con un destornillador de punta plana, desatornille los tres tornillos del soporte de la bisagra superior. Retire el soporte. Levante y quite la puerta del pasador de la bisagra inferior. Coloque la puerta de forma segura a un lado.



Desatornille y quite el pie inferior de encima del soporte de la bisagra. Use un destornillador de punta plana para quitar los dos tornillos que sujetan el soporte al gabinete. Retire el soporte y reemplace el pie. En el lado opuesto de la unidad, retire el pie y coloque el soporte con los mismos tornillos. Reemplazar el pie.



Vuelva a colocar la cubierta plástica de la bisagra sobre el soporte de la bisagra superior.

CARACTERÍSTICAS Y USO

Barras de soporte

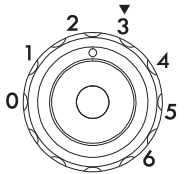
El interior de la puerta del refrigerador está equipado con una barra de soporte para mantener paquete de alimentos, botellas y latas de refrescos en su lugar en las repisas de la puerta.

Uso inicial

Para alcanzar el nivel de enfriamiento deseado cuando use el refrigerador por primera vez, déjelo funcionar vacío hasta que escuché que el compresor para. Esto normalmente se demora de 2 a 3 horas. Una vez alcanzada la temperatura deseada, ponga la comida en el refrigerador. **NOTA** Si el refrigerador ha sido colocado una posición horizontal o inclinada por cualquier periodo de tiempo, espere 24 horas antes de enchufarlo.

Control de temperatura

La primera vez que enciende la unidad, ajuste la perilla de control de temperatura a la configuración recomendada (3) y deje que la unidad se enfríe por completo antes de agregar alimentos. Si la comida no se enfría a su gusto, gire el dial más allá de 3 para aumentar la frialdad o vuelva a marcar desde 3 para disminuir la frialdad. Si se gira la esfera a una configuración más fría, aumentará la capacidad de congelación del compartimento congelador, pero también aumentará la frialdad de la sección del refrigerador.



Nota: Al girar la perilla de control de temperatura a la posición 0 se detendrá el ciclo de enfriamiento pero no se desconectará la energía de la unidad.

Descongelar el congelador

⚠ AVISO:

- Cuando esté descongelando el electrodoméstico debe desenchufarlo para evitar el riesgo de descargas eléctricas.
- NO utilice instrumentos metálicos o afilados para remover la escarcha del interior del refrigerador ya que puede dañar la tubería del refrigerante. Daños a la tubería pueden resultar en un escape de gases refrigerantes inflamables que pueden resultar en lesiones a las personas.

El compartimento congelador incorporado está diseñado para mantener los contenidos por debajo de 32 °F. Descongele el congelador siempre que la escarcha se acumule a un espesor de 1/8" o más en las paredes del congelador. Tenga en cuenta que las heladas tienden a acumularse más durante los meses de verano.

Para descongelar el congelador, presione el botón en el centro del dial de control para apagar el refrigerador. Desenchufe el refrigerador de la toma de corriente.

Retire toda la comida de los compartimentos del refrigerador y el congelador. Coloque la bandeja de goteo en el estante inmediatamente debajo del congelador. La descongelación puede tomar varias horas, así que guarde los alimentos en otro refrigerador mientras tanto. Para acelerar el tiempo de descongelación, mantenga la puerta abierta y coloque un recipiente con agua tibia en el refrigerador.

Durante la descongelación, el agua se acumulará en el compartimento del congelador. Después de que se complete la descongelación, vacíe el agua de la bandeja de goteo y el compartimento del congelador. Limpie ambos compartimentos.

Gire el dial de control hacia la izquierda hasta el tope para abrir el botón en el centro del dial de control. El botón debe abrirse para devolver la energía al refrigerador una vez que esté enchufado nuevamente. Gire el dial hacia la derecha si girar a la izquierda no lo hace.

Enchufe el refrigerador nuevamente en la toma de corriente y ajuste el dial de control al número deseado. Una vez que el interior se haya enfriado lo suficiente, vuelva a colocar los alimentos en el refrigerador y el congelador.

PRECAUCIÓN: NO use agua hirviendo para derretir la acumulación de escarcha en las paredes del congelador, ya que puede dañar las piezas de plástico.

CUIDADO Y LIMPIEZA

Sonidos que puede escuchar durante la operación normal

Gorgoteos o ligeras vibraciones causadas por el refrigerante circulando por la bobina de refrigeración.

El control del termostato emite un clic cuando se enciende y se apaga.

Limpieza y mantenimiento

AVISO: Para evitar descargas eléctricas, asegúrese de desenchufar el refrigerador antes de limpiarlo. Ignorar este aviso puede resultar en lesiones o muertes.

PRECAUCIÓN: Antes de usar productos de limpieza, siempre lea y entienda los procesos de limpieza explicados en este manual. Siga las instrucciones del fabricante del producto de limpieza para evitar lesiones personales y daños al producto.

Limpieza general

Prepare una solución con una o dos cucharadas de bicarbonato de sodio mezcladas con agua tibia. Utilice una esponja o un paño humedecido en la solución para limpiar su refrigerador.

Enjuague la esponja o el paño con agua limpia, limpie las superficies para eliminar cualquier residuo de la solución. Seque todas las superficies y repisas con un paño antes de resumir la operación. No utilice químicos agresivos, materiales abrasivos, amoníaco, blanqueadores, detergentes concentrados, líquidos solventes o estropajos. Algunos de estos químicos pueden disolver, dañar y/o descolorar su refrigerador.

Juntas de la puerta

Limpie las juntas de la puerta cada tres meses siguiendo las instrucciones descritas en la sección de limpieza general.

Las juntas deben mantenerse limpias y flexibles para asegurar que forman el sello apropiado.

Aplique una capa liviana de vaselina en el lado de la bisagra de las juntas para mantenerlas

flexibles y asegurar que proveen un buen sello.

Interrupciones de electricidad

De vez en cuando puede que haya interrupciones de electricidad debido a tormentas u otras causas. Cuando se va la electricidad desenchufe el refrigerador del tomacorriente. Una vez restaurado el servicio después de una interrupción prolongada, inspeccione la comida para asegurarse que no se ha deteriorado. Limpie el interior del refrigerador y el compartimiento del congelador antes de usarlo.

Cuidado durante vacaciones y mudanzas

En el caso de ausencias largas y vacaciones, desenchufe la unidad, saque toda la comida de ambos compartimentos, ponga el control de temperatura en la posición 0 y limpie las juntas de la puerta de acuerdo a las instrucciones en la sección de limpieza general. Deje la puerta abierta para que el aire pueda circular. Si se está mudando, asegúrese de siempre mover el refrigerador en posición vertical. No mueva la unidad cuando esté en una posición horizontal, ya que es dañar el sistema sellado.

AVISO: Cuando está manipulando, moviendo, usando o limpiando este refrigerador, asegúrese de evitar daños a los tubos del refrigerante. Daños a la tubería pueden resultar en un escape de gases refrigerantes inflamables, que pueden causar lesiones personales.

RESOLUCIÓN DE PROBLEMAS

PROBLEMA	POSIBLE CAUSA	SOLUCIÓN
La unidad no funciona	<ol style="list-style-type: none"> 1. No tiene electricidad 2. El cable de alimentación no está conectado 3. Está usando el voltaje equivocado 	<ol style="list-style-type: none"> 1. Verifique la conexión del cordón eléctrico al tomacorriente 2. Conecte la unidad 3. Use el voltaje correcto
El compresor no para	<ol style="list-style-type: none"> 1. La temperatura está demasiado baja (muy fría) 2. La puerta no está cerrada 3. Ha insertado comida caliente 4. La puerta ha estado abierta por demasiado tiempo o con demasiada frecuencia 5. Está cerca de una fuente de calor o expuesto a luz solar 	<ol style="list-style-type: none"> 1. Ajuste la temperatura (más alta) 2. Asegúrese de cerrar la puerta completamente 3. Asegúrese que la comida está a temperatura ambiente antes de ponerla en el refrigerador 4. Reduzca la cantidad de veces que abre la puerta o la duración 5. No coloque la unidad cerca de una fuente de calor o directo a la luz solar
La temperatura interna demasiado alta	<ol style="list-style-type: none"> 1. No tiene electricidad 2. El cable de alimentación no está conectado 3. El control de temperatura está demasiado alto (muy caliente) 4. La puerta no está cerrada 5. Ha insertado comida caliente 6. La puerta estaba abierta por demasiado tiempo o con demasiada frecuencia 7. Hay una obstrucción en el flujo de aire 8. Está usando el voltaje equivocado 9. Está cerca de una fuente de calor o expuesto a luz solar 	<ol style="list-style-type: none"> 1. Verifique la conexión del cordón eléctrico al tomacorriente 2. Enchufe la unidad 3. Verifique los ajustes y cámbielos según sea necesario 4. Cierra la puerta completamente 5. Asegúrese que la comida está a temperatura ambiente antes de ponerla en el refrigerador 6. Reduzca la frecuencia y la duración de las veces que abre la puerta 7. Deje suficiente espacio para que el aire circule alrededor de la unidad 8. Use el voltaje correcto 9. No coloque la unidad cerca de una fuente de calor o directo a la luz solar