

# 6-Drawer Dresser

**Model Number:**

DL1010-1

**UPC Code:**

0-65857-17161-7

**Color:**

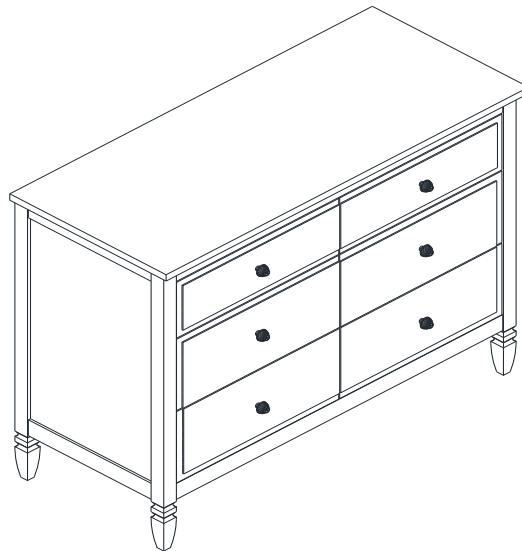
WHITE

Congratulations on your latest furniture purchase! **Dorel Living** furniture has been developed with quality, convenience and style in mind. We trust it will provide you with many years of exceptional comfort and service.

Before beginning assembly, we encourage you to familiarize yourself with your new furniture piece by taking a few minutes to go through this booklet. It contains important information on our warranty and care tips to keep your furniture looking as good as new.

Customer satisfaction is important to us at Dorel Asia. Our agents are available Monday to Friday 8am to 5pm (EST) to answer any question you may have. For faster service, always have the model number ready when calling our toll free number **1-800-295-1980** or emailing us at **das@dorel.com**.

For more great furniture ideas, check out our website at [www.dorelliving.com](http://www.dorelliving.com)  
You can also keep up to date on all the latest trends by liking our [Facebook page](#).



Date of Purchase: \_\_\_\_ / \_\_\_\_ / \_\_\_\_

Lot Number: \_\_\_\_\_

(taken from carton)

**DO NOT RETURN PRODUCT TO THE STORE.** If a part is missing or damaged, contact our customer service department. We will replace the part **FREE** of charge.

NOTE: THIS INSTRUCTION BOOKLET CONTAINS **IMPORTANT** SAFETY INFORMATION.  
PLEASE READ AND KEEP FOR FUTURE REFERENCE.

## CUSTOMER SERVICE

If you have any questions about this product, contact our customer service representative first!



**CALL 1-800-295-1980**

You can also order parts by writing to the address listed below. Please include the product model number, color and a detailed description of the part.

**Customer Service Department No. 413  
12345 Albert-Hudon Boulevard, Suite 100**

**Montreal, Quebec  
Canada H1G 3L1**

**E-MAIL: [das@dorel.com](mailto:das@dorel.com)**

## NOTES

- \* Ensure all parts and components are present before beginning assembly.
- \* Assemble on a soft, smooth surface to prevent damage to the product finish.
- \* Use the wall safety strap provided to secure the unit to the wall.
- \* A Phillips head screw driver is not included.
- \* DO NOT use power tools.
- \* CAUTION: Adult assembly required.
- \* Assembly will require two people.
- \* To avoid unnecessary damage, when levelers have been extended, DO NOT drag across surface when moving. Be sure to lift and carry the item to its location.
- \* Estimated assembly time: 60 minutes.

## ▲WARNING

**Serious or fatal crushing injuries can occur from furniture tipover. To help prevent tipover:**

- \* Install tipover restraint provided.
- \* Place heaviest items in the lower drawers.
- \* Unless specifically designed to accommodate, do not set TVs or other heavy objects on top of this product.
- \* Never allow children to climb or hang on drawers, doors or shelves.
- \* Never open more than one drawer at a time.
- \* Do not defeat or remove the drawer interlock system.
- \* Use of tipover restraints may only reduce, but not eliminate, the risk of tipover.

## CARE AND CLEANING

Dust regularly with a soft, lint-free cloth to prevent soil build-up. A damp cloth may be used occasionally to clean surface. Dry immediately. Do not use any abrasives that may damage finish. Excessive exposure to sunlight and extreme changes in temperature and moisture can damage wood furniture.

## MAINTENANCE

Check bolts/screws periodically and tighten them if necessary.

## LIMITED WARRANTY

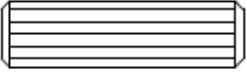
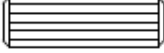



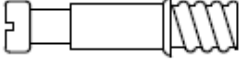
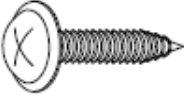
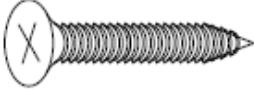
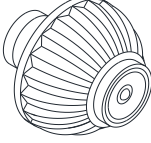
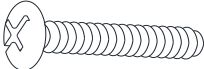
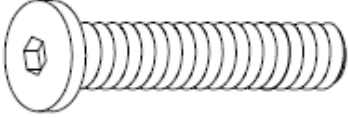
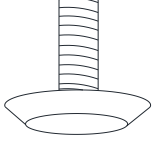

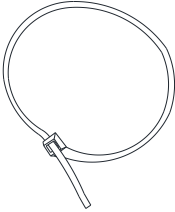
Dorel warrants its product to be free from defects in material and workmanship and agrees to remedy any such defect. This warranty covers 1 year from the date of original purchase. This warranty is valid only upon presentation of proof of purchase. This is solely limited to the repair or replacement of defective furniture components and no assembly labor is included. This warranty does not apply to any product which has been improperly assembled, subjected to misuse or abuse or which has been altered or repaired in any way. This warranty gives you specific legal rights and you may also have other rights which vary from State to State.



**WARNING: Should this product become damaged, and/or components are broken or missing, DO NOT USE.**

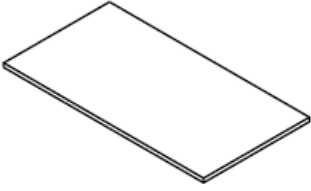
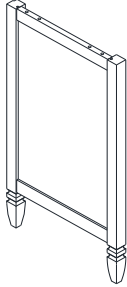
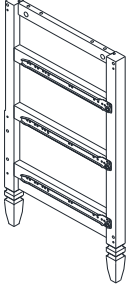
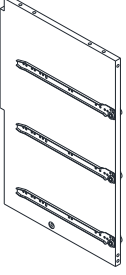
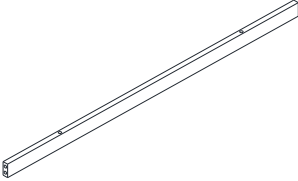
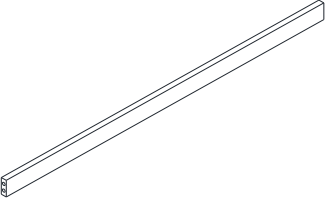
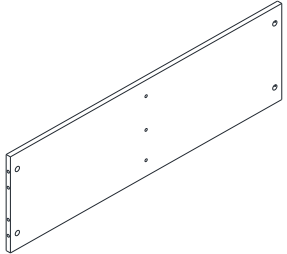
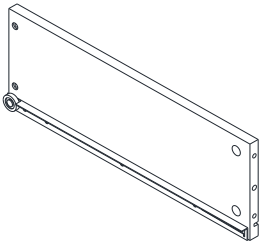
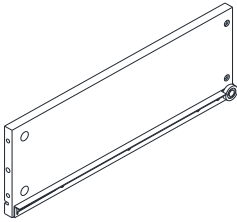
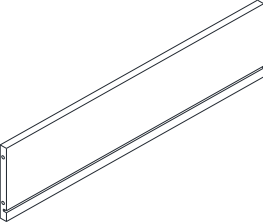
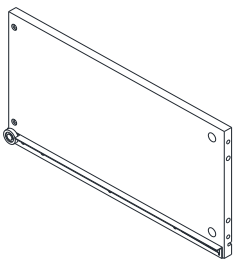
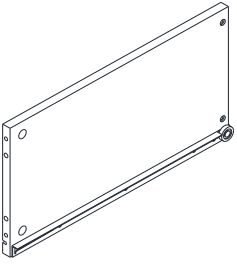
# 6-Drawer Dresser DL1010-1

## HARDWARE LIST

<p style="text-align: center;">1</p>  <p style="text-align: center;">Ø8 X 30 mm</p>	<p style="text-align: center;">2</p>  <p style="text-align: center;">Ø6 X 20 mm</p>	<p style="text-align: center;">3</p>  <p style="text-align: center;">Ø15 X 11 mm</p>
<p style="text-align: center;">LARGE WOOD DOWEL 23 PCS</p>	<p style="text-align: center;">SMALL WOOD DOWEL 20 PCS</p>	<p style="text-align: center;">LARGE CAM LOCK 18 PCS</p>
<p style="text-align: center;">4</p>  <p style="text-align: center;">Ø7 X 36 mm</p>	<p style="text-align: center;">5</p>  <p style="text-align: center;">Ø13 X 10 mm</p>	<p style="text-align: center;">6</p>  <p style="text-align: center;">Ø7 X 28 mm</p>
<p style="text-align: center;">LARGE CAM BOLT 18 PCS</p>	<p style="text-align: center;">SMALL CAM LOCK 24 PCS</p>	<p style="text-align: center;">SMALL CAM BOLT 24 PCS</p>
<p style="text-align: center;">7</p>  <p style="text-align: center;">Ø3 X 15 mm</p>	<p style="text-align: center;">8</p>  <p style="text-align: center;">Ø4 X 25 mm</p>	<p style="text-align: center;">9</p> 
<p style="text-align: center;">ROUND HEAD SCREW 14 PCS</p>	<p style="text-align: center;">FLAT HEAD SCREW 28 PCS</p>	<p style="text-align: center;">KNOB 6 PCS</p>
<p style="text-align: center;">10</p>  <p style="text-align: center;">Ø5/32" X 7/8"</p>	<p style="text-align: center;">11</p>  <p style="text-align: center;">Ø1/4" X 35 mm</p>	<p style="text-align: center;">12</p>  <p style="text-align: center;">Ø1/4"</p>
<p style="text-align: center;">SMALL BOLT 6 PCS</p>	<p style="text-align: center;">LARGE BOLT 1 PC</p>	<p style="text-align: center;">ADJUSTABLE LEVELER 3 PCS</p>
<p style="text-align: center;">13</p> 	<p style="text-align: center;">14</p> 	
<p style="text-align: center;">ALLEN KEY 1 PC</p>	<p style="text-align: center;">SAFETY STRAP 1 KIT</p>	

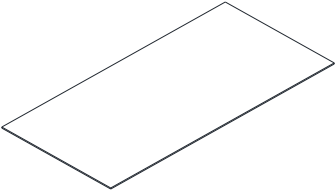
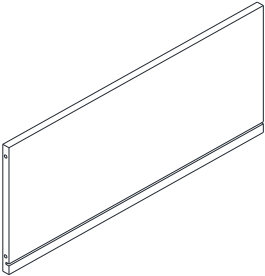
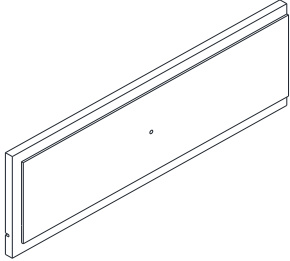
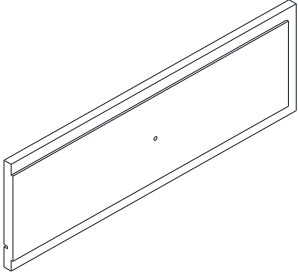
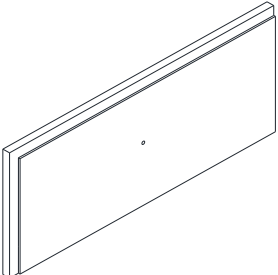
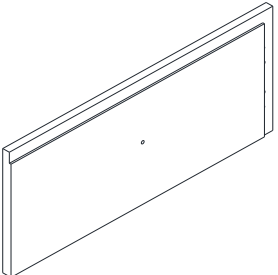
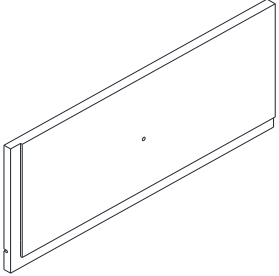
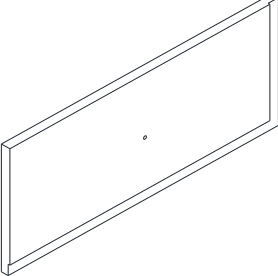
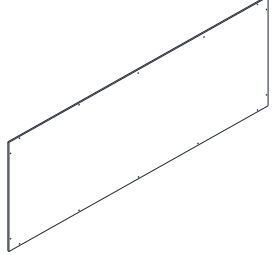

# 6-Drawer Dresser DL1010-1

## PARTS LIST

<p><b>A</b></p> 	<p><b>B</b></p> 	<p><b>C</b></p> 
<p>TOP PANEL 1 PC</p>	<p>LEFT SIDE FRAME 1 PC</p>	<p>RIGHT SIDE FRAME 1 PC</p>
<p><b>D</b></p> 	<p><b>E</b></p> 	<p><b>F</b></p> 
<p>MIDDLE PANEL 1 PC</p>	<p>TOP RAIL 2 PCS</p>	<p>FRONT BOTTOM RAIL 1 PC</p>
<p><b>G</b></p> 	<p><b>H</b></p> 	<p><b>I</b></p> 
<p>BACK BOTTOM PANEL 1 PC</p>	<p>SMALL DRAWER LEFT SIDE 2 PCS</p>	<p>SMALL DRAWER RIGHT SIDE 2 PCS</p>
<p><b>J</b></p> 	<p><b>K</b></p> 	<p><b>L</b></p> 
<p>SMALL DRAWER BACK 2 PCS</p>	<p>LARGE DRAWER LEFT SIDE 4 PCS</p>	<p>LARGE DRAWER RIGHT SIDE 4 PCS</p>

# 6-Drawer Dresser DL1010-1

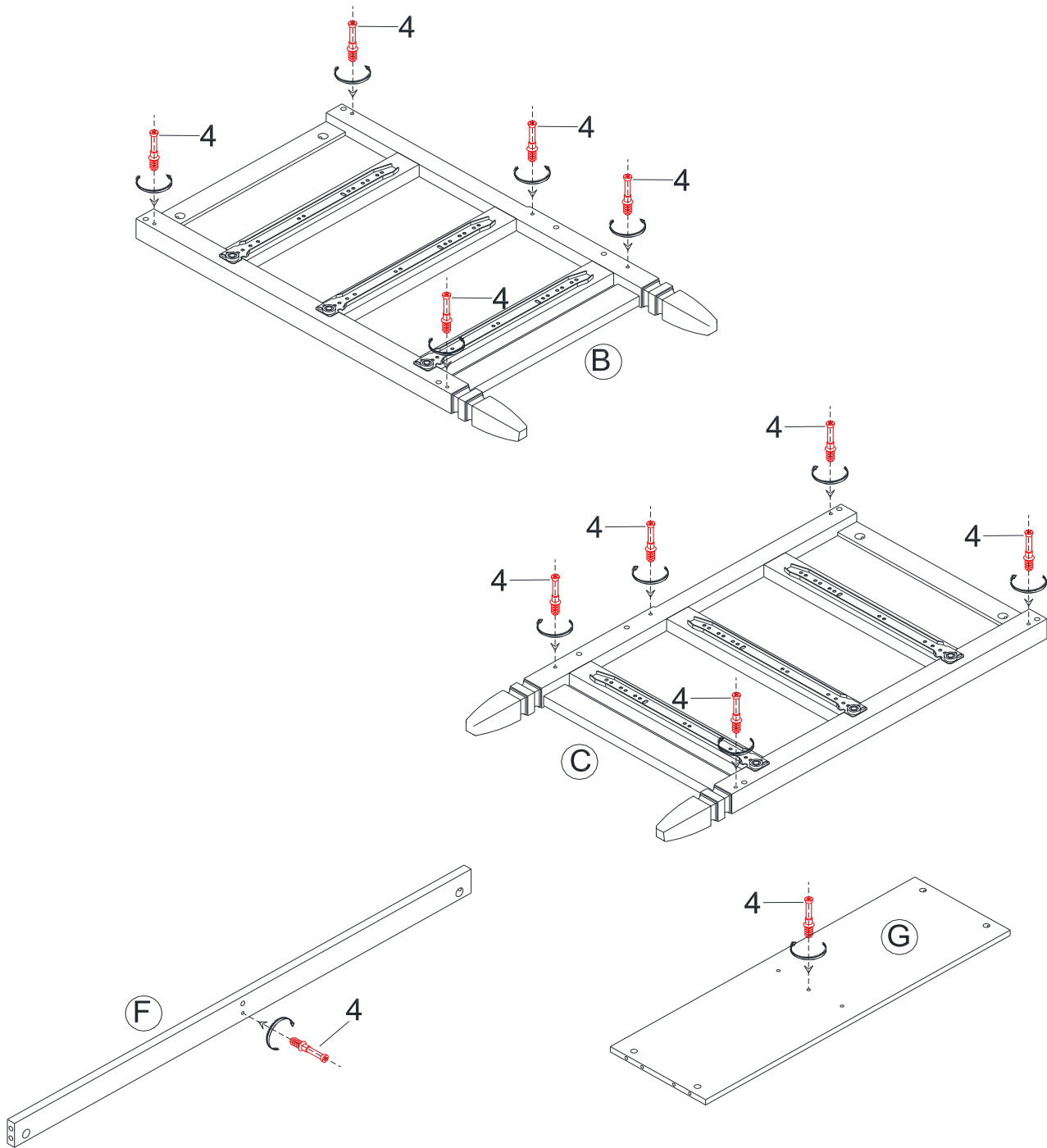
## PARTS LIST

<p><b>M</b></p> 	<p><b>N</b></p> 	<p><b>O</b></p> 
<p style="text-align: center;">DRAWER BOTTOM 6 PCS</p>	<p style="text-align: center;">LARGE DRAWER BACK 4 PCS</p>	<p style="text-align: center;">LEFT TOP DRAWER FRONT 1 PC</p>
<p><b>P</b></p> 	<p><b>Q</b></p> 	<p><b>R</b></p> 
<p style="text-align: center;">RIGHT TOP DRAWER FRONT 1 PC</p>	<p style="text-align: center;">LEFT MIDDLE DRAWER FRONT 1 PC</p>	<p style="text-align: center;">RIGHT MIDDLE DRAWER FRONT 1 PC</p>
<p><b>S</b></p> 	<p><b>T</b></p> 	<p><b>U</b></p> 
<p style="text-align: center;">LEFT BOTTOM DRAWER FRONT 1 PC</p>	<p style="text-align: center;">RIGHT BOTTOM DRAWER FRONT 1 PC</p>	<p style="text-align: center;">BACK PANEL 1 PC</p>
<p><b>V</b></p> 		
<p style="text-align: center;">SUPPORT PANEL 1 PC</p>		

# 6-Drawer Dresser DL1010-1

## STEP 1

Insert large cam bolts (4) into the front bottom rail (F), back bottom panel (G), left side frame (B) and right side frame (C) as shown.



4		12 PCS
---	--	--------

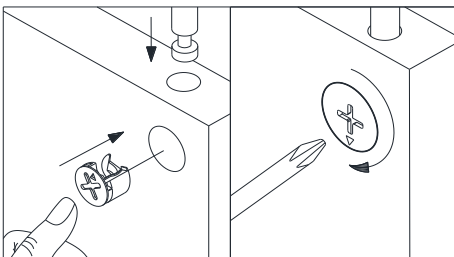
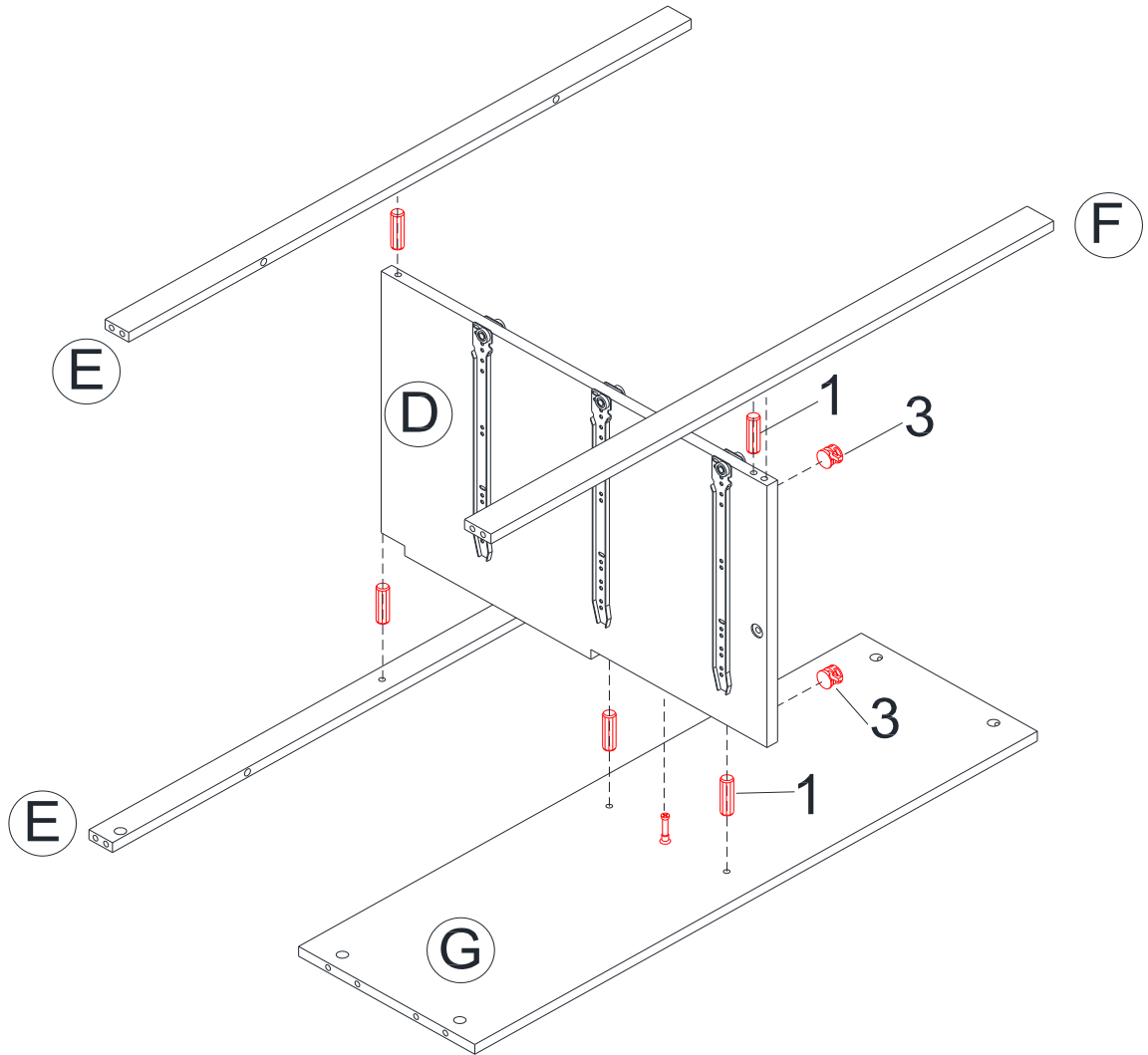
# 6-Drawer Dresser DL1010-1

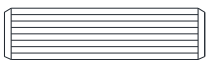
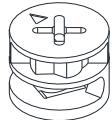
## STEP 2

Insert large cam locks (3) into the middle panel (D) as shown.

Attach rails (E & F) and back bottom panel (G) to the middle panel (D) with large wood dowels (1) as shown below.

Secure rail (F) and back bottom panel (G) to the middle panel (D) by rotating the large cam locks (3) on middle panel (D) 1/2 turn clockwise using a Phillips head screwdriver (not included).



1		5 PCS
3		2PCS

# 6-Drawer Dresser DL1010-1

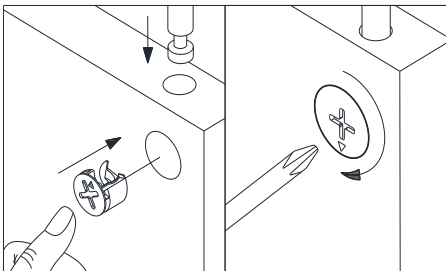
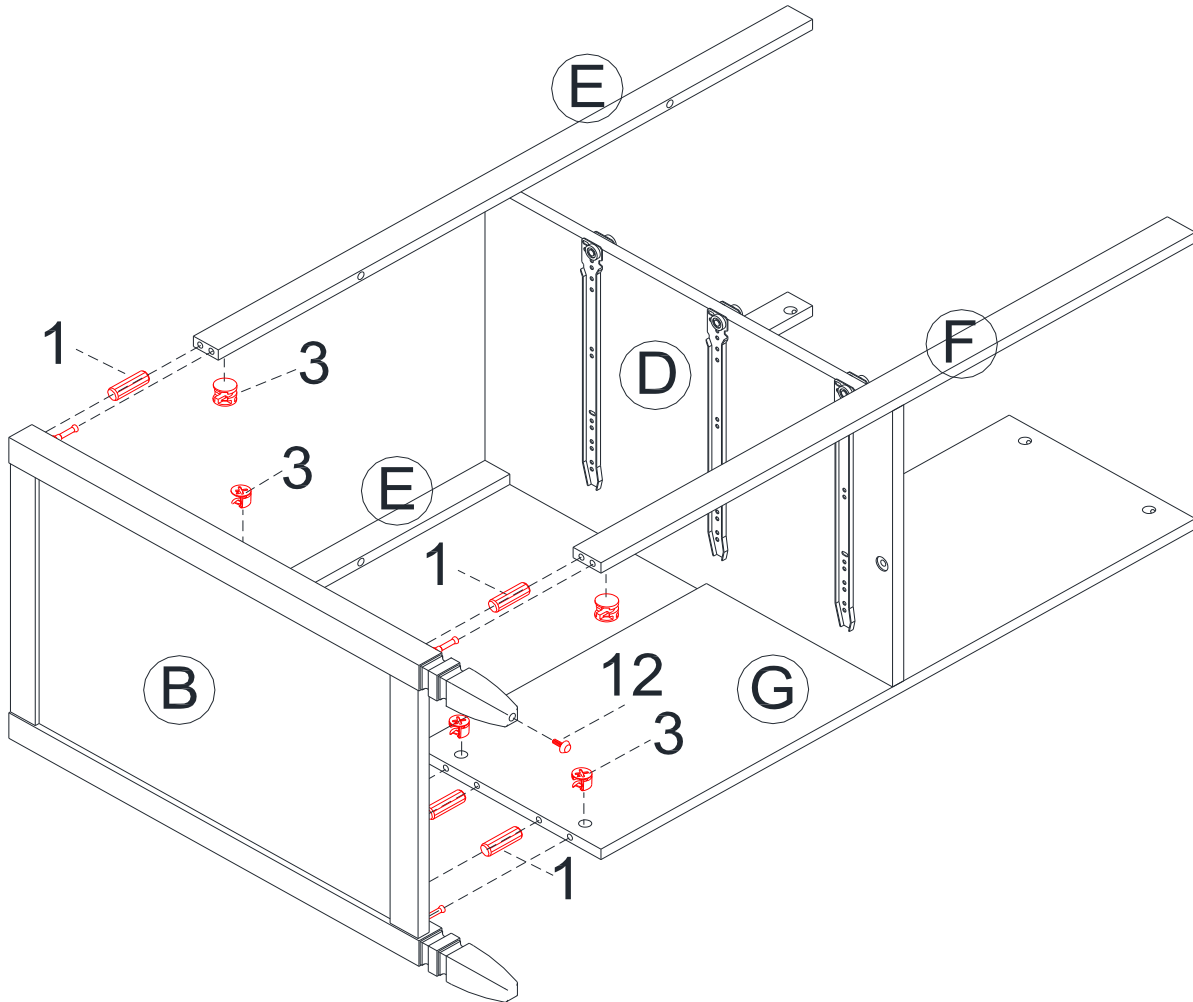
## STEP 3


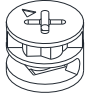

Insert large wood dowels (1) into the left side frame (B).

Insert large cam locks (3) into the top rails (E), front bottom rail (F) and back bottom panel (G).

Secure the left side frame (B) to the assembled unit by rotating large cam locks (3) on the top rails (E) front bottom rail (F) and back bottom panel (G) 1/2-turn clockwise using a Phillips head screwdriver (not included).

Install the adjustable leveler (12) to the left side frame (B) as shown.



1		5 PCS
3		5 PCS
12		1 PC

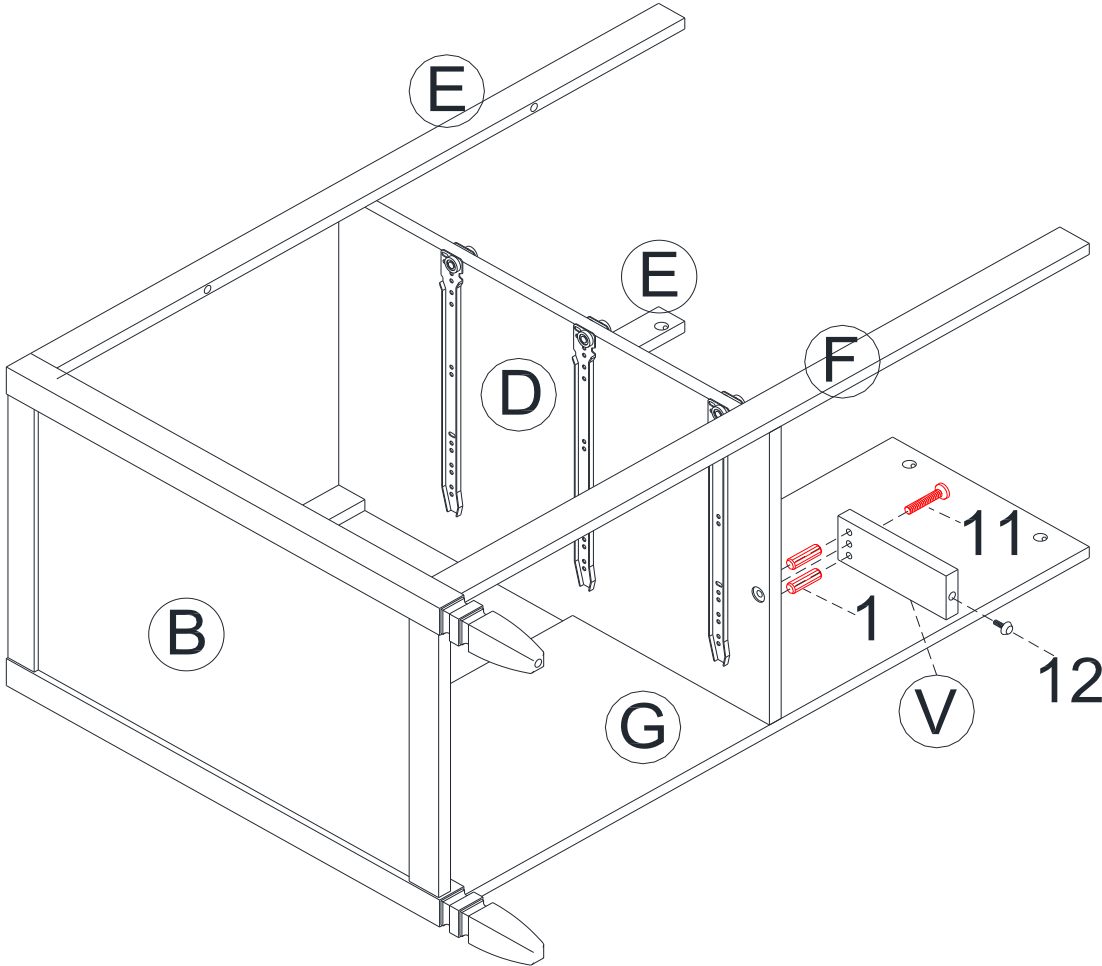
# 6-Drawer Dresser DL1010-1



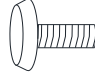

## STEP 4

Insert large wood dowels (1) into support panel (V). Attach support panel (V) to the assembled unit as shown.

Secure the support panel (V) to the middle panel (D) with large bolt (11) as shown. Use Allen key (13) to tighten the bolt.

Install the adjustable leveler (12) to the support panel (V) as shown.



1		2 PCS
11		1PC
12		1PC
13		1PC

# 6-Drawer Dresser DL1010-1

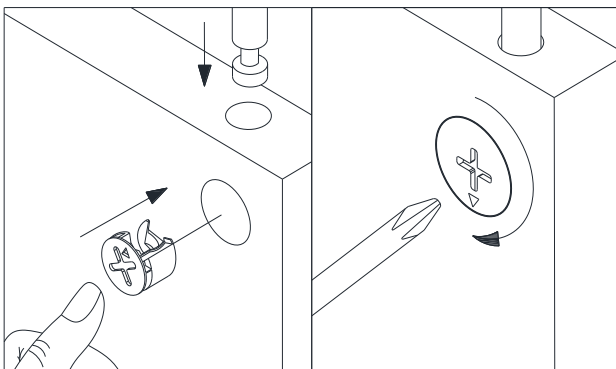
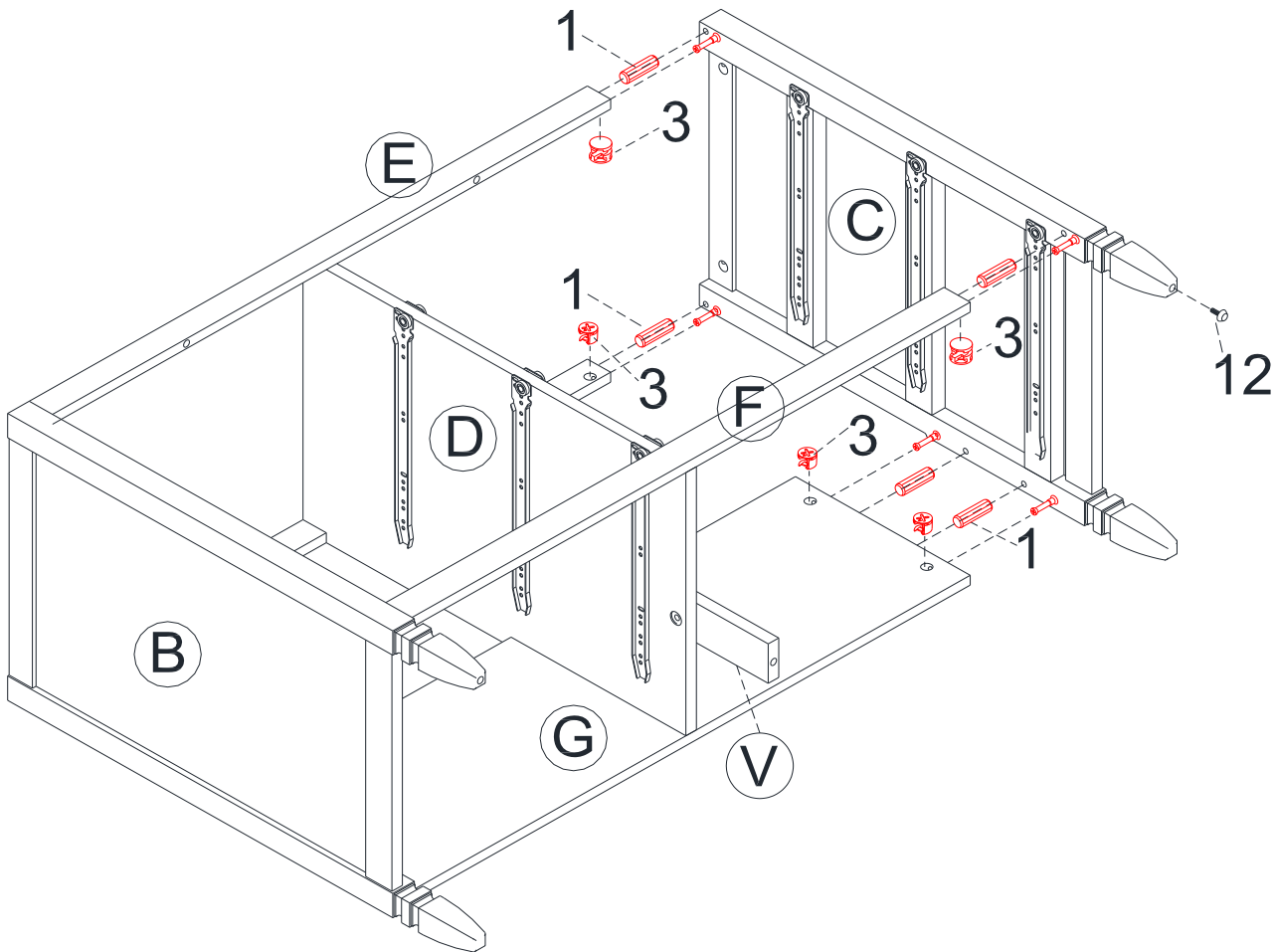
## STEP 5


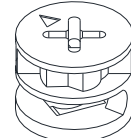
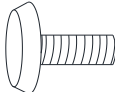
Insert large wood dowels (1) into the right side frame (C).

Insert large cam locks (3) into the rails (E & F) and back bottom panel (G).

Secure the right side frame (C) to the assembled unit by rotating cam locks (3) on the top rails (E), front bottom rail (F) and back bottom panel (G) 1/2-turn clockwise using a Phillips head screwdriver (not included).

Install the adjustable leveler (12) to the right side frame (C) as shown.

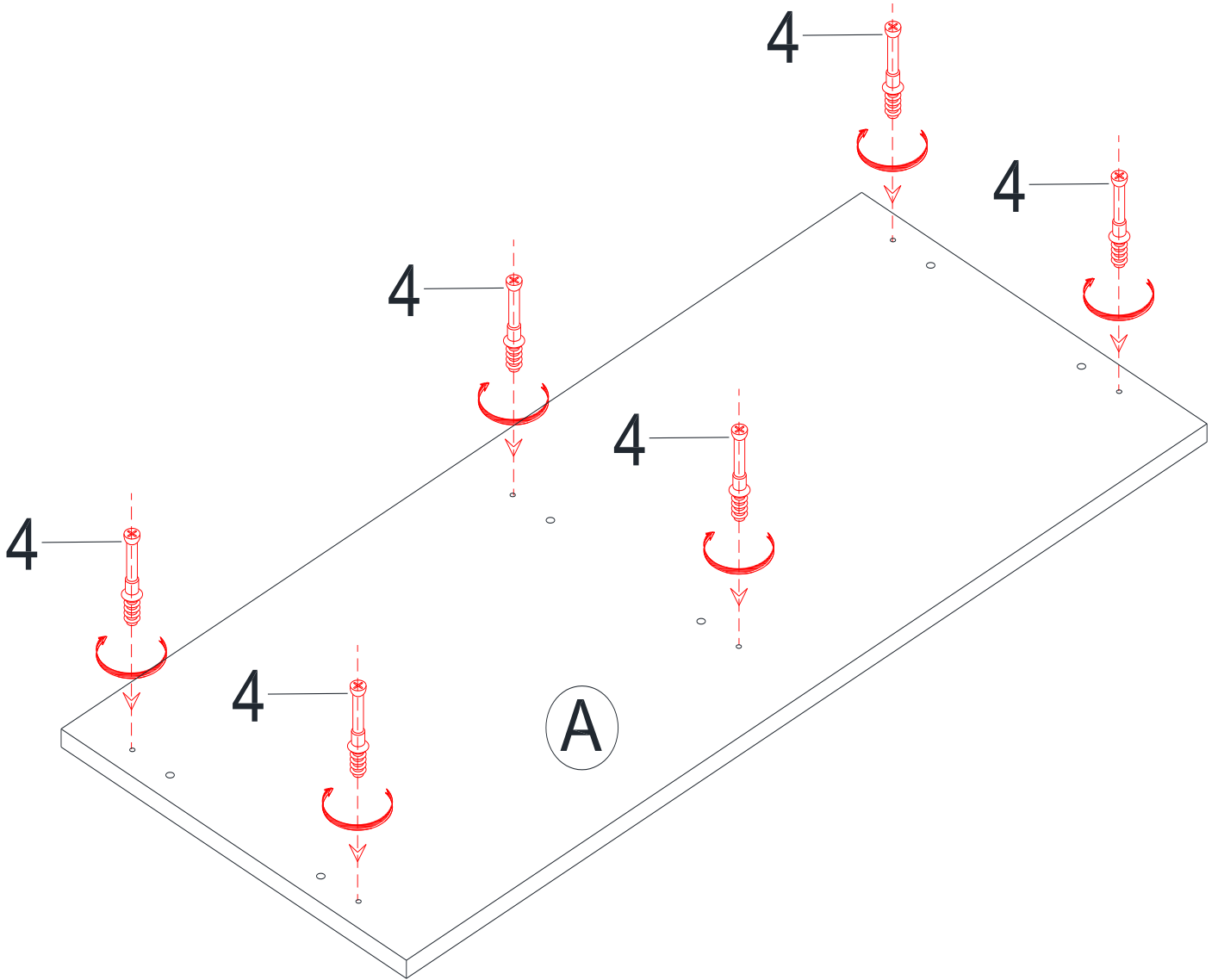


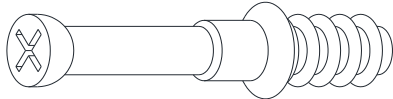
1		5 PCS
3		5 PCS
12		1 PC

# 6-Drawer Dresser DL1010-1

## STEP 6

Insert large cam bolts (4) into the top panel (A).



4		6 PCS
---	---	-------

# 6-Drawer Dresser DL1010-1

## STEP 7

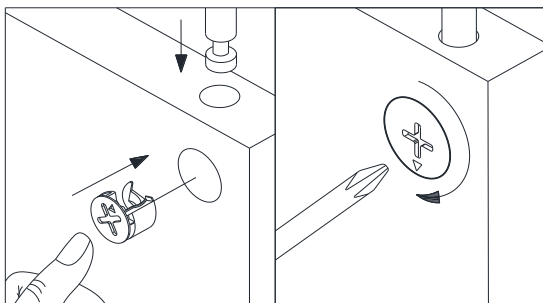
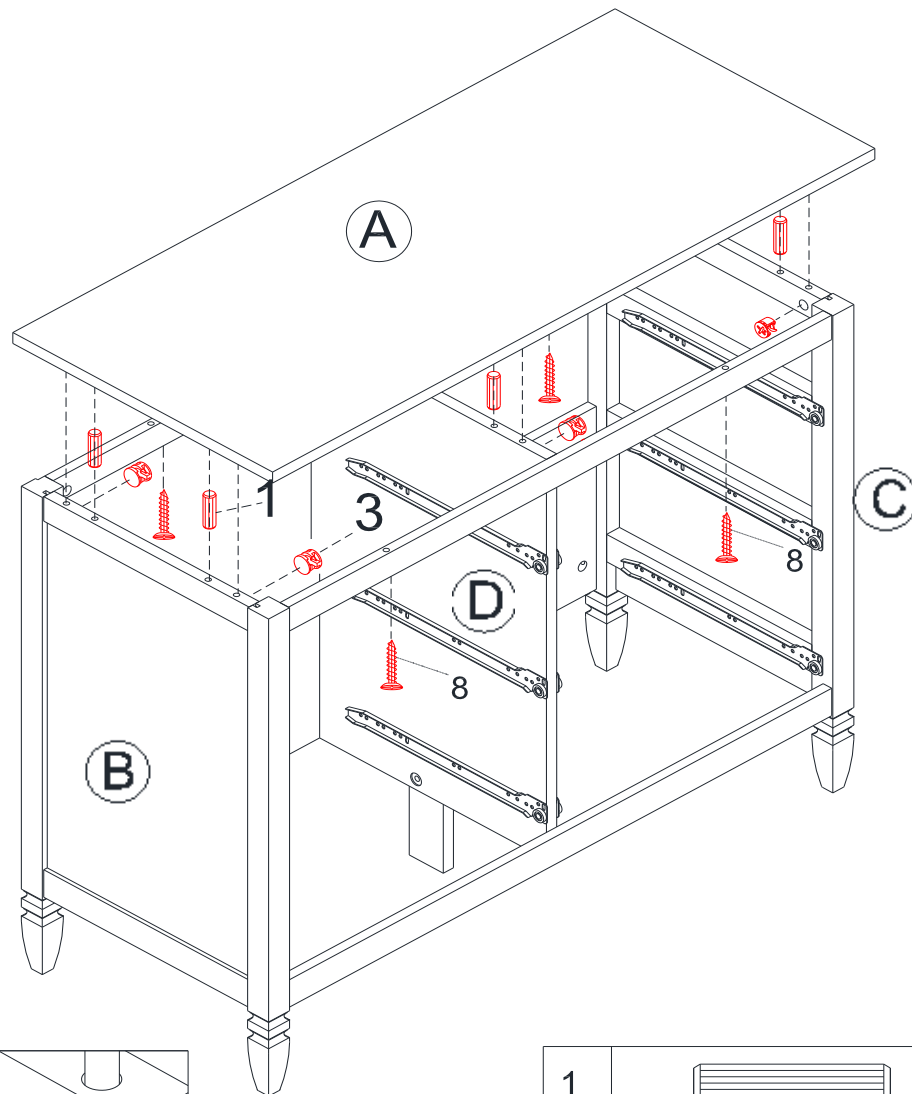
Insert large wood dowels (1) into the left side frame (B), middle panel (D) and right side frame (C) as shown below.

Insert large cam locks (3) into the side frames (B & C) and middle panel (D).

Place the top panel (A) on the assembled unit.

Rotate large cam locks (3) on the side panels (B & C) and middle panel (D) 1/2-turn clockwise to secure the top panel (A).

Further secure top panel (A) with flat head screws (8) through rails (E) and middle panel (D). Use a Phillips head screwdriver (not included) to tighten the screws.

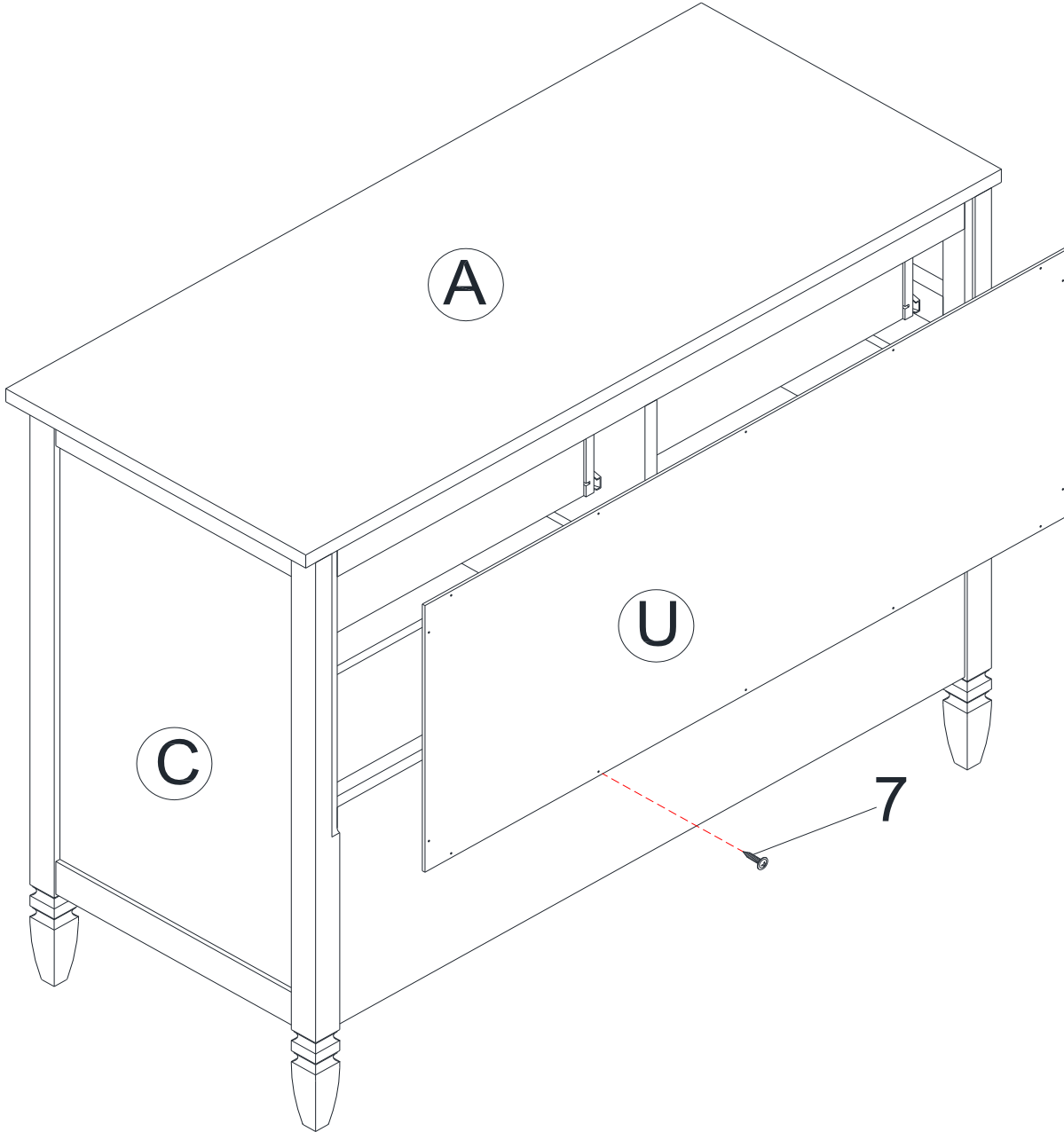


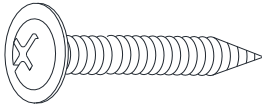
1		6 PCS
3		6PCS
8		4 PCS

# 6-Drawer Dresser DL1010-1

## STEP 8

Attach back panel (U) to the assembled frame with round head screws (7).  
Use a Phillips head screwdriver (not included) to tighten the screws.



7		14 PCS
---	--	--------

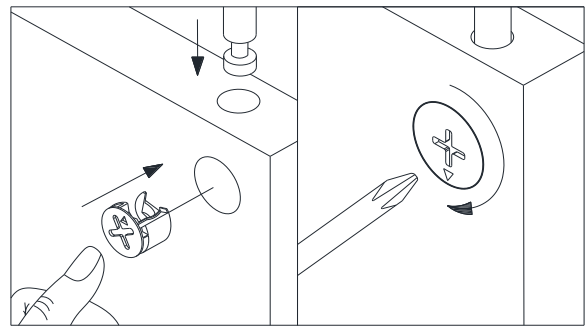
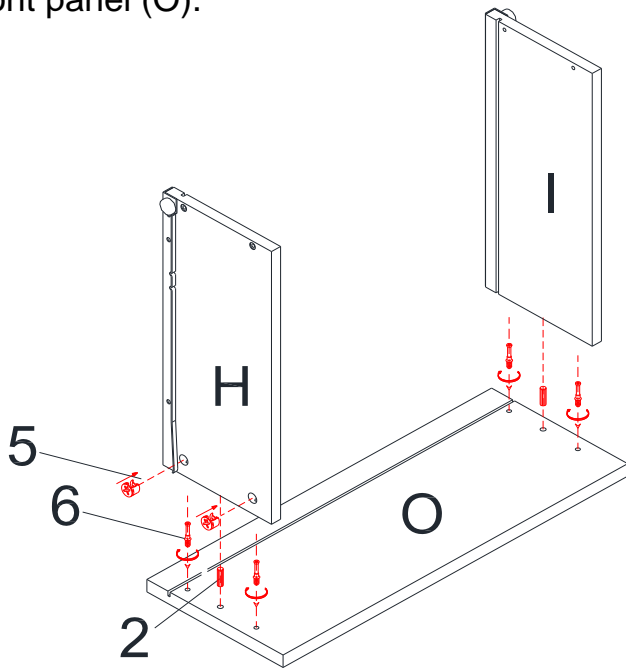
# 6-Drawer Dresser DL1010-1




## STEP 9

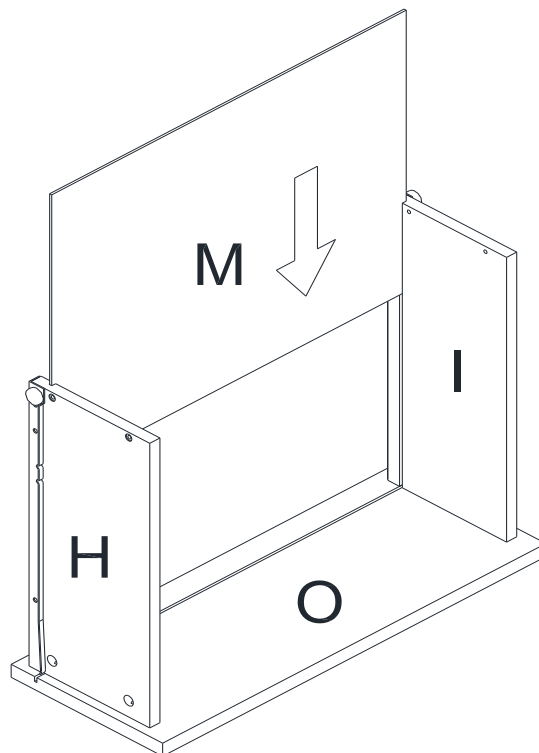
Insert small cam bolts (6) and small wood dowels (2) into the left top drawer front panel (O).

Insert small cam locks (5) into the small drawer left side (H) and small drawer right side (I). Attach drawer sides (H & I) to the left top drawer front panel (O). Secure the drawer sides (H & I) by rotating small cam locks (5) 1/2-turn clockwise using a Phillips head screwdriver (not included).

Slide the drawer bottom (M) into the grooves of drawer sides (H & I) and left top drawer front panel (O).



2		4 PCS
5		8 PCS
6		8 PCS



# 6-Drawer Dresser DL1010-1

## STEP 10

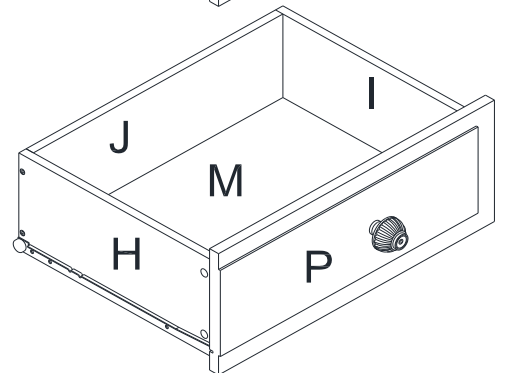
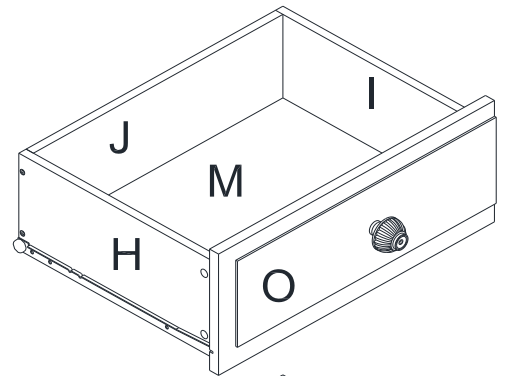
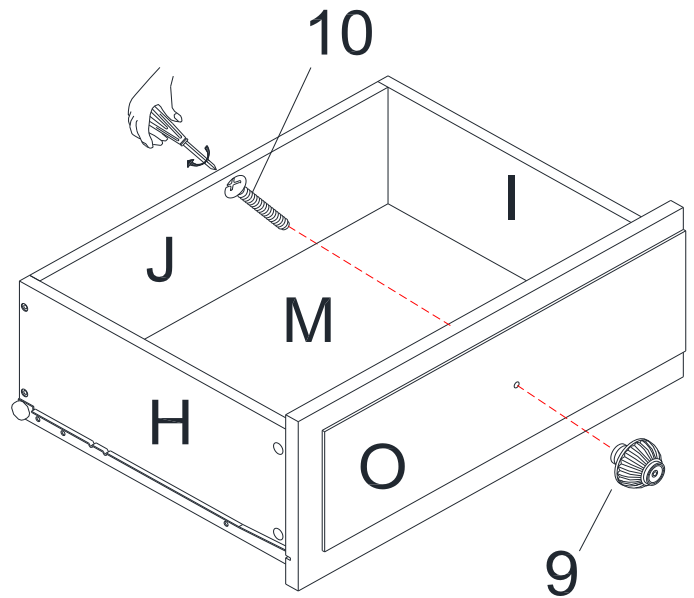
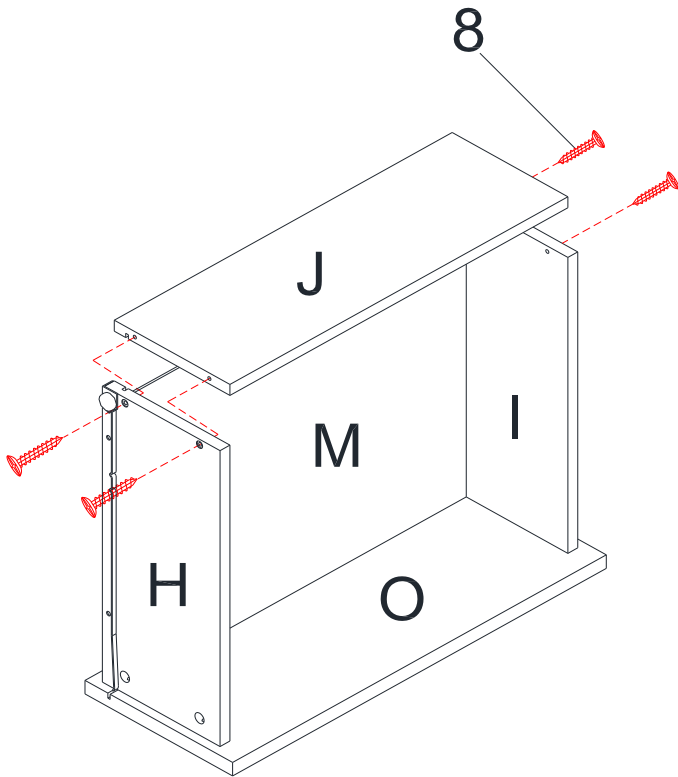
Attach small drawer backs (J) to the drawer sides (H & I) with flat head screws (8).

Use a Phillips head screwdriver (not included) to tighten the screws.

Attach knobs (9) into the left top drawer front panel (O) with bolts (10).

Use a Phillips head screwdriver (not included) to tighten the bolts.

Repeat steps 9 and 10 to assemble the right top drawer using right drawer front (P).



8		8 PCS
9		2 PCS
10		2 PCS

# 6-Drawer Dresser DL1010-1

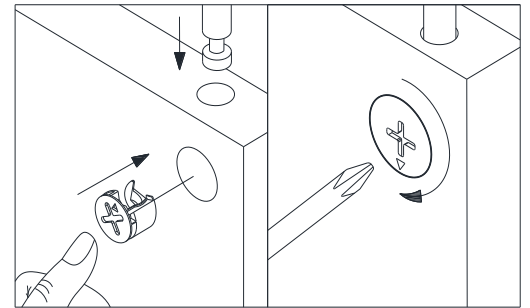
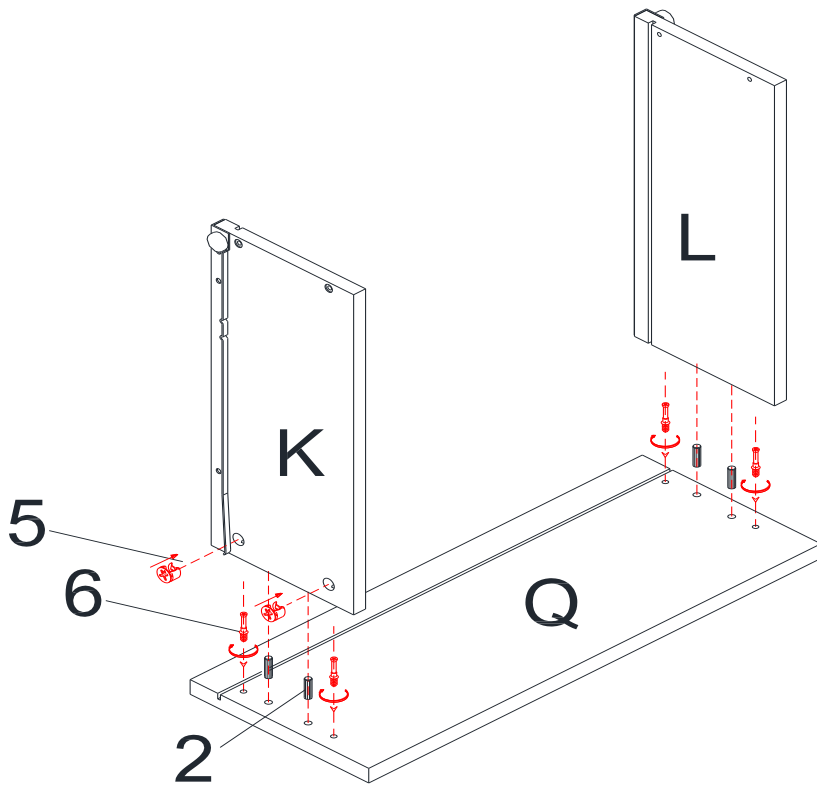
## STEP 11


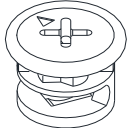

Insert small cam bolts (6) and small wood dowels (2) into the left middle drawer front panel (Q).

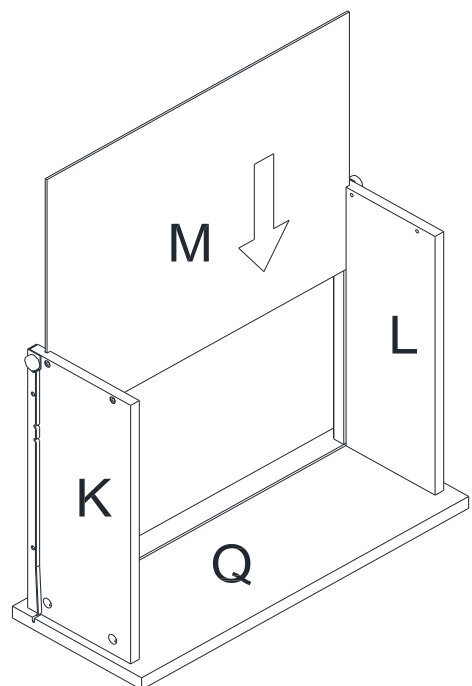
Insert small cam locks (5) into the large drawer left side (K) and large drawer right side (L).

Attach large drawer sides (K & L) to the left middle drawer front panel (Q). Secure the drawer sides by rotating small cam locks (5) 1/2-turn clockwise using a Phillips head screwdriver (not included).

Slide the drawer bottom (M) into the grooves of large drawer sides (K & L) and left middle drawer front panel (Q).



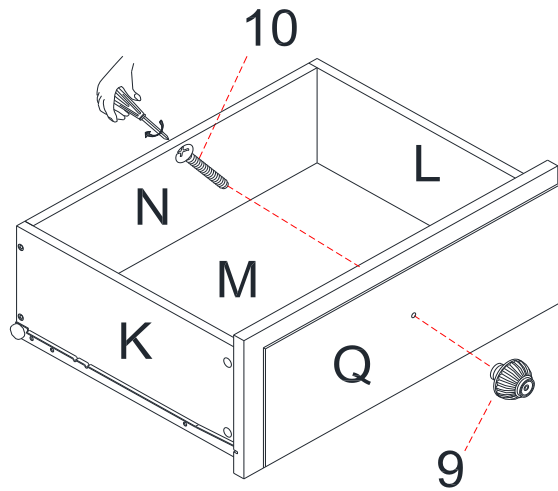
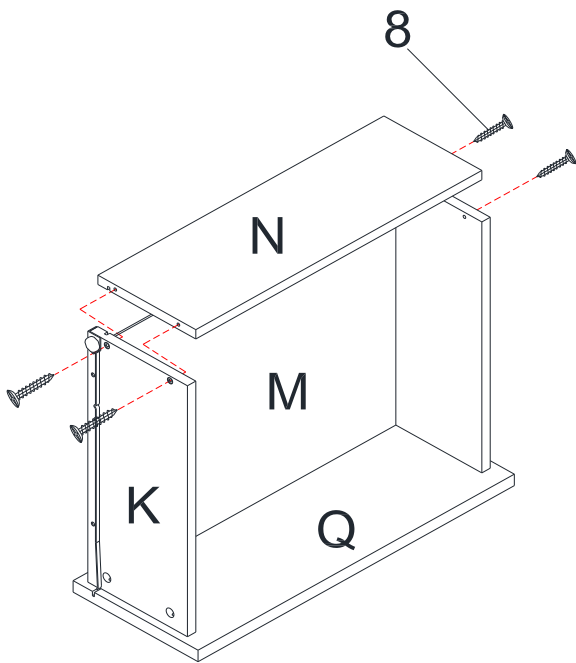
2		16 PCS
5		16 PCS
6		16 PCS

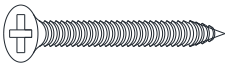




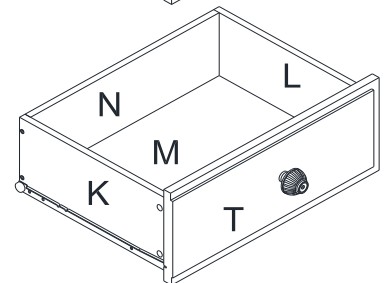
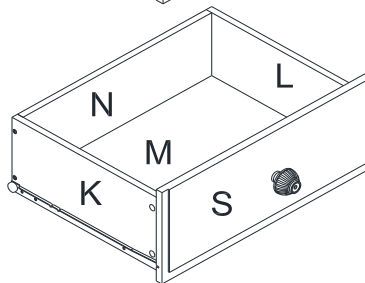
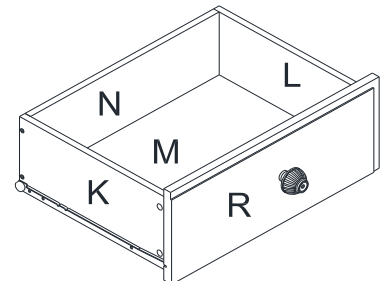
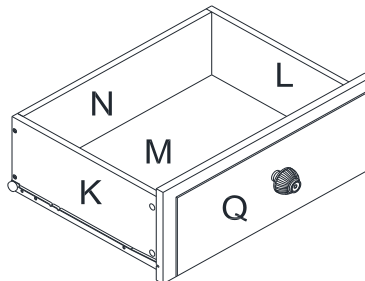
# 6-Drawer Dresser DL1010-1

## STEP 12

Attach large drawer backs (N) into the drawer sides (K & L) with flat head screws (8).  
 Use a Phillips head screwdriver (not included) to tighten the screws.  
 Attach knobs (9) to the left middle drawer front panel (Q) with bolts (10).  
 Use a Phillips head screwdriver (not included) to tighten the bolts.  
 Repeat steps 11-12 to assemble the other drawers using right drawer fronts (R,S and T).



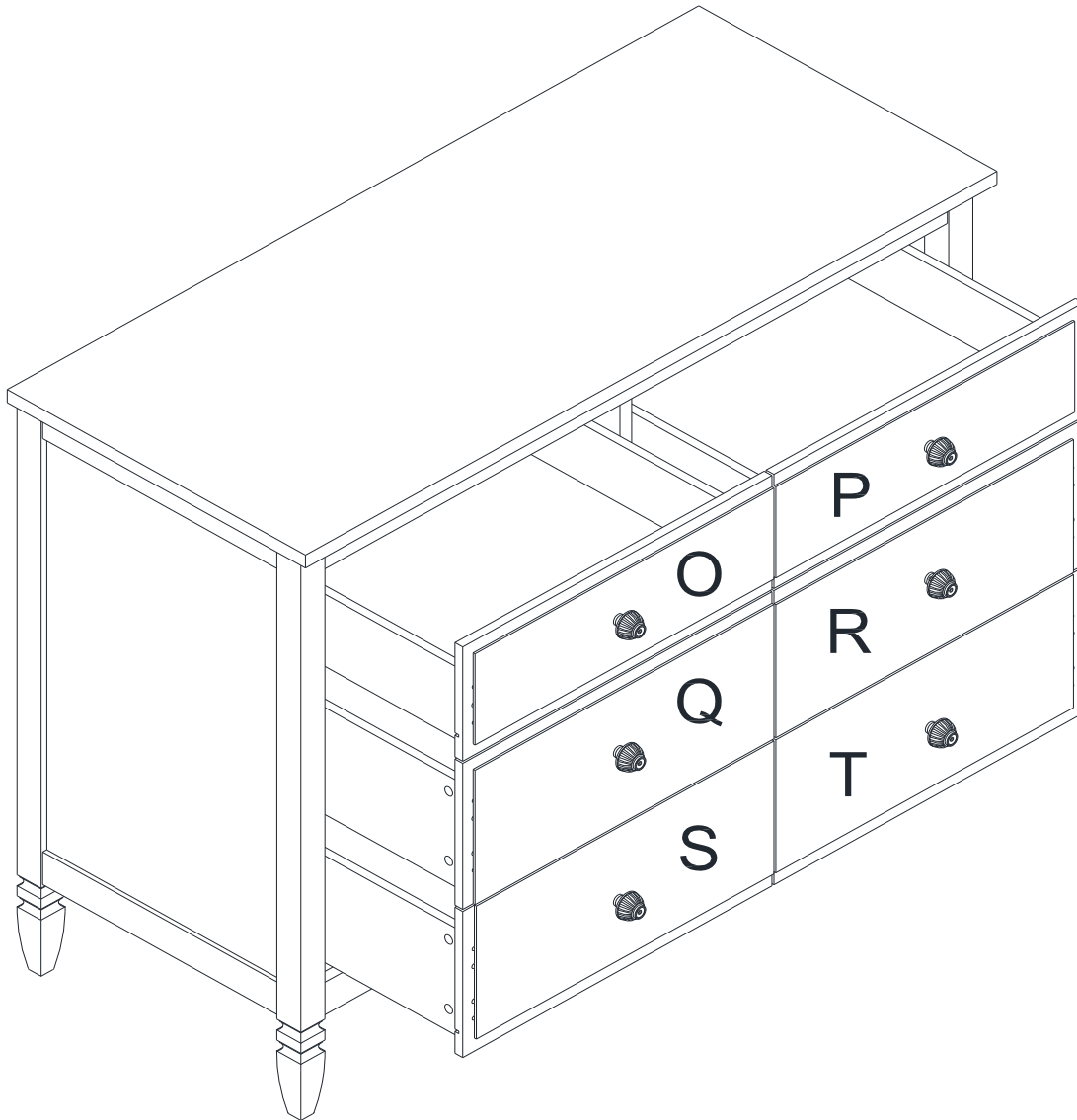
8		16 PCS
9		4 PCS
10		4 PCS



# 6-Drawer Dresser DL1010-1

## STEP 13

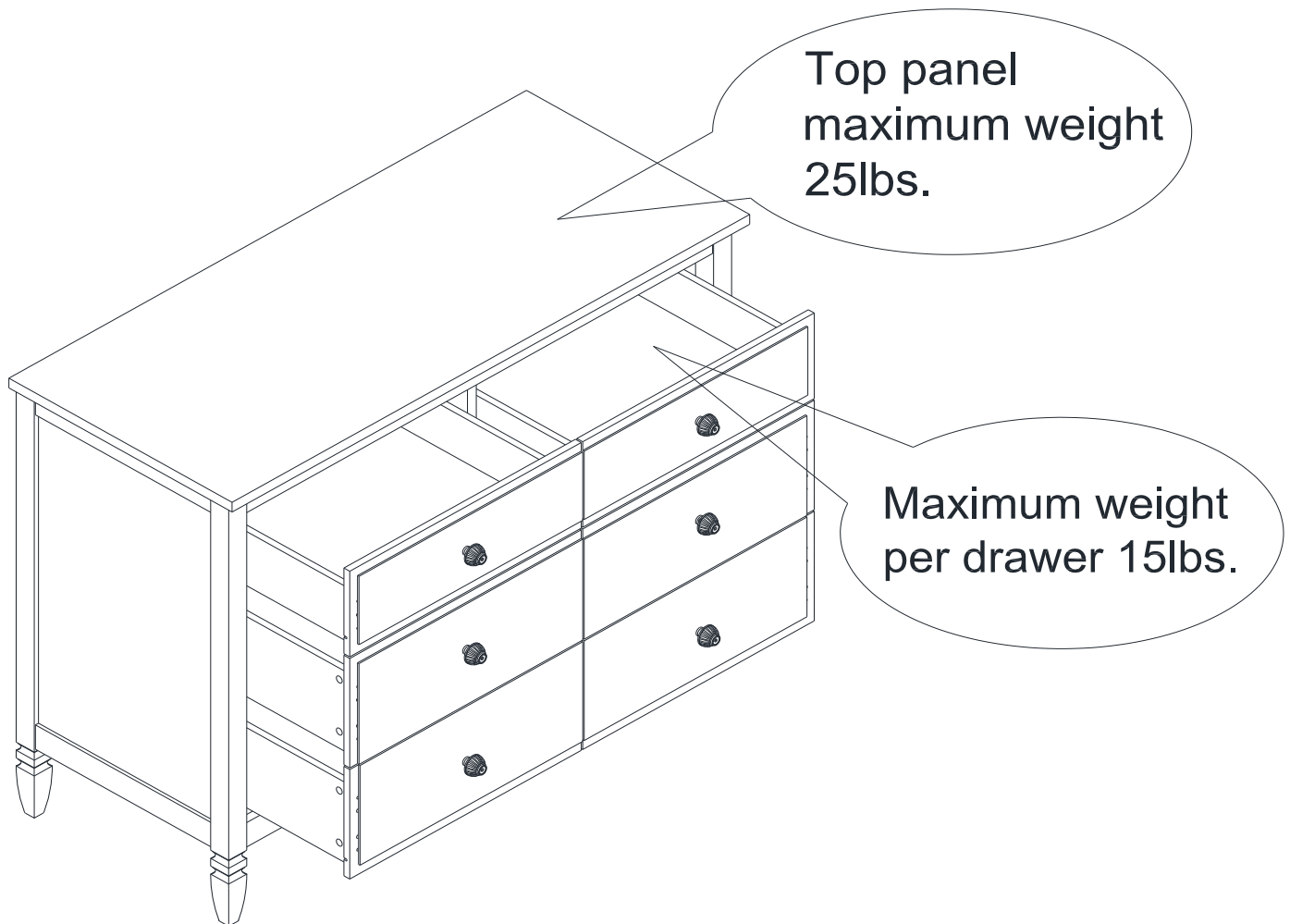
Insert all drawers into the assembled unit as shown.



# 6-Drawer Dresser DL1010-1



**CAUTION:** This unit is intended for use only with the products and/or maximum weights indicated. Use with other products and/or products heavier than the maximum weights indicated may result in instability or cause possible injury.



That's it! You've finished assembling your 6-drawer dresser!

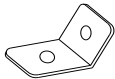



**DO NOT RETURN PRODUCT TO THE STORE.**

If a part is missing or damaged, contact our customer service department. We will replace the part **FREE** of charge.



Tel #: 1-800-295-1980  
E-Mail: [das@dorel.com](mailto:das@dorel.com)  
Fax #: 514-353-7819

# Furniture Wall Safety Strap

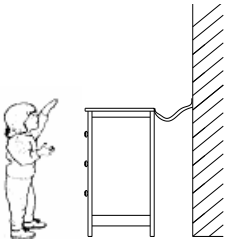
<b>A</b> 	<b>B</b> 	<b>C</b> 	<b>D</b> 
MOUNTING BRACKET 4 PCS	SAFETY WALL STRAP 2 PCS	LONG SCREW 2 PCS	SHORT SCREW 2 PCS

**TOOLS NECESSARY: RUBBER Mallet AND PHILLIPS SCREW DRIVER ARE NOT INCLUDED.**

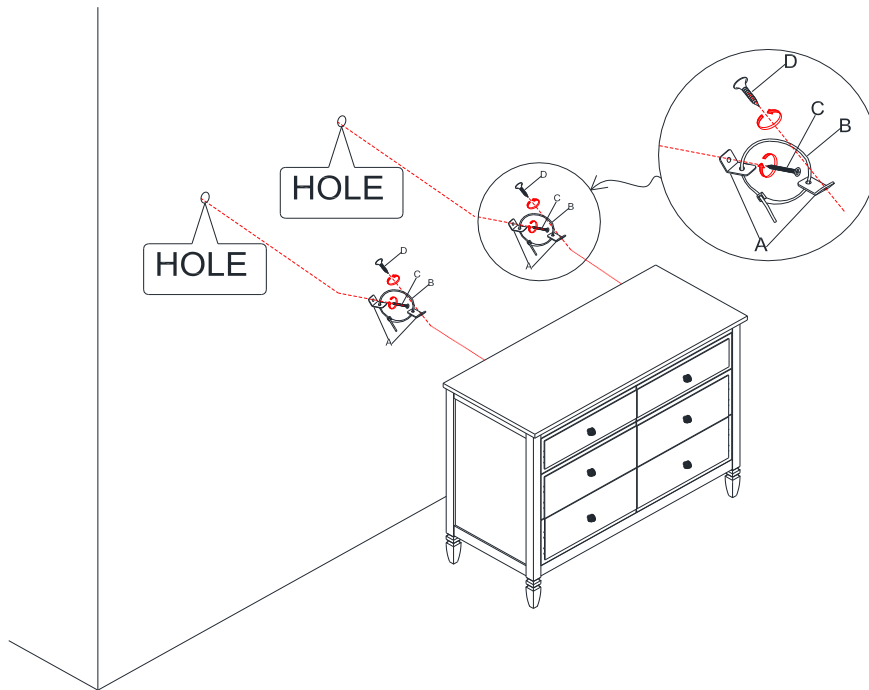
**NOTE: 3/8" DRILL BIT AND ELECTRIC DRILL ARE NOT PROVIDED.**



**WARNING: WHEN UPRIGHT, IT IS POSSIBLE THAT THE FURNITURE MAY TIP OVER. PLEASE INSTALL THE SAFETY WALL STRAP BEHIND THE FURNITURE TO ENSURE SAFETY.**



**PLEASE READ ALL INSTRUCTIONS CAREFULLY BEFORE USING THIS PRODUCT AND KEEP THESE INSTRUCTIONS FOR FUTURE REFERENCE. IF YOU HAVE ANY QUESTIONS, PLEASE CALL OUR CUSTOMER SERVICE NUMBER: 1-800-295-1980.**



- Step 1:** ATTACH A MOUNTING BRACKET (A) SECURELY TO THE BACK EDGE OF THE FURNITURE USING THE SHORT SCREW (D), THROUGH THE SMALLER HOLE
- Step 2:** LOCATE THE OTHER MOUNTING BRACKET (A) ON THE WALL OVER A WALL STUD AND 2 INCHES BELOW THE MOUNTING BRACKET SECURED TO THE BACK OF YOUR UNIT. ATTACH TO THE WALL STUD USING THE LONG SCREW (C) PROVIDED, THROUGH THE SMALLER HOLE.
- Step 3:** PLACE THE FURNITURE INTO POSITION SO BOTH MOUNTING BRACKETS ARE VERTICALLY IN LINE. LACE THE END OF THE SAFETY WALL STRAP (B) THROUGH THE LARGER HOLE IN EACH MOUNTING BRACKET (A). BRING BOTH ENDS TOGETHER AND SLIDE THE FLAT END THROUGH THE LOCKING END AND DRAW IT THROUGH UNTIL ALL SLACK IS REMOVED.
- Step 4:** CONFIRM THAT THE STRAP IS SECURELY LACED AND LOCKED.

TO MOVE THE FURNITURE AFTER THE SAFETY WALL STRAP HAS BEEN INSTALLED, SIMPLY REMOVE THE SCREW FROM THE WALL TO LOOSEN THE SAFETY WALL STRAP.

# Customer Service

**PLEASE DO NOT RETURN THIS PRODUCT TO THE STORE**

**PLEASE CONTACT CUSTOMER SERVICE REPRESENTATIVES AT THE FOLLOWING NUMBERS SHOULD THERE BE ANY MISSING OR DEFECTIVE PART(S).**

Customer Service Phone Number 1-800-295-1980

Email: [das@dorel.com](mailto:das@dorel.com)

Customer Service Fax Number 514-353-7819

Request Date:

Name:

Shipping Address:

Street & Number:

City & State:

Zip Code:

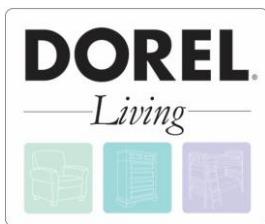
Day Time Phone Number:  
(including area code)

Date & Place of Purchase:

Part(s) description and quantity (Please be sure to list model number or SKN number):

Customer Service Representative Mailing Address:

Customer Service Department No. 413, 12345 Albert-Hudon Boulevard, Suite 100, Montreal, QC, Canada, H1G 3L1



# Cómoda de 6 Cajones

Modelo No:

DL1010-1

CODIGO UPC:

0-65857-17161-7

Color:

Blanco

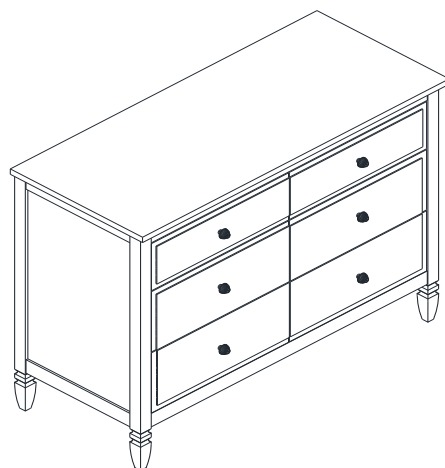
¡Felicitaciones por su nueva compra de un mueble! Los muebles de la línea **Dorel Living** han sido diseñados con la calidad, la comodidad y el estilo en mente. Estamos seguros de que este mueble le servirá por muchos años con su comodidad excepcional.

Le recomendamos que antes de comenzar a armarlo se familiarice con su nueva compra y tome unos minutos de su tiempo para leer este manual. Contiene información importante sobre nuestra garantía y consejos de cuidados para que su mueble siempre conserve su apariencia de nuevo.

Le damos mucha importancia a Dorel Asia a la satisfacción de nuestros clientes. Nuestros representantes están disponibles de lunes a viernes de 8 h a 17 h (hora del este) para responder a todas sus preguntas. Con el fin de acelerar el servicio, por favor tenga a mano el número de modelo cuando llame a nuestro número sin coste **1-800-295-1980** o por correo electrónico a **das@dorel.com**.

Para obtener más ideas de muebles inspirantes, visite nuestro sitio web en [www.dorelliving.com](http://www.dorelliving.com)

También puede mantenerse informado de todas las últimas tendencias suscribiéndose a nuestra página en [Facebook](#).



Fecha de compra: \_\_\_\_ / \_\_\_\_ / \_\_\_\_

Número de lote: \_\_\_\_\_

(en la caja)

**NO DEVUELVA EL PRODUCTO A LA TIENDA.** Si falta una pieza o está dañada, contacte nuestro departamento de servicio a la clientela. Reemplazaremos la pieza SIN cargo.

NOTA: ESTE MANUAL DE INSTRUCCIONES CONTIENE INFORMACIÓN DE SEGURIDAD **IMPORTANTE**. POR FAVOR, LÉALO Y CONSÉRVELO PARA CONSULTARLO EN EL FUTURO.

## SERVICIO A LA CLIENTELA

Si faltan piezas o tiene alguna pregunta sobre este producto, ¡primero contacte nuestro representante de servicio a la clientela!

 **LLAME AL 1-800-295-1980**

También puede pedir piezas escribiendo a la dirección indicada abajo. Por favor incluya el número de modelo, color y una descripción detallada de la pieza.

**Departamento de Servicio a la Clientela No. 413**

**12345 Albert-Hudon Boulevard, Suite 100**

**Montreal, Quebec**

**Canadá H1G 3L1**

**Correo electrónico: [das@dorel.com](mailto:das@dorel.com)**

## NOTA

- \* Para evitar que se raye, por favor retire todo el embalaje y ármelo sobre una superficie limpia y suave.
- \* Ensamble sobre una superficie suave, lisa para evitar daños en el acabado del producto.
- \* Utilice la correa de seguridad provista para fijar el mueble a la pared.
- \* El destornillador en cruz no está incluido.
- \* **No use** herramientas eléctricas.
- \* **PRECAUCIÓN:** Requiere ser armado por un adulto.
- \* El armado y la manipulación pueden requerir dos personas.
- \* Para evitar dañar la superficie, una vez instalados los niveladores, **NO** arrastrar el mueble para desplazarlo. Asegúrese de levantarlo.
- \* El tiempo de armado se estima en 60 minutos.

## **ADVERTENCIA:**

**Pueden producirse lesiones graves o fatales si el mueble se vuelca. Para prevenirlo:**

- \* Instalar la sujeción provista.
- \* Colocar los artículos más pesados en los cajones más bajos.
- \* No colocar aparatos de TV u otros objetos pesados sobre este producto, a menos que esté específicamente diseñado para ese uso.
- \* Nunca permitir que los niños trepen sobre los cajones, puertas o estantes o se cuelguen de ellos.
- \* Nunca abrir más de un cajón a la vez.
- \* No eliminar o retirar el dispositivo que asegura los cajones.
- \* El uso de la sujeción provista reduce el riesgo de que el mueble se vuelque, pero no lo elimina totalmente.

## CUIDADO Y LIMPIEZA

Límpiala regularmente con un paño suave para evitar la acumulación de suciedad. Ocasionalmente se puede usar un paño húmedo para limpiar la superficie. Séquela inmediatamente. No utilice productos abrasivos que puedan dañar la terminación. Una exposición excesiva a la luz del sol y a cambios extremos de temperatura y humedad puede dañar los muebles de madera.

## MANTENIMIENTO

Verifique las arandelas/tornillos periódicamente y ajústelos si es necesario.

## GARANTÍA LIMITADA

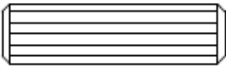




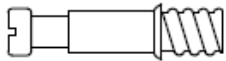
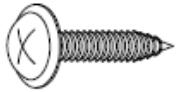
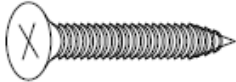
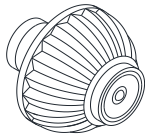
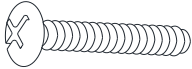
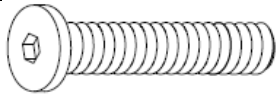
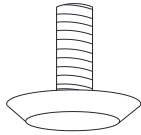


Dorel garantiza que este producto está libre de defectos de material y mano de obra y se compromete a remediar cualquiera de esos defectos. Esta garantía cubre 1 año a partir de la fecha de compra original. Esta garantía es válida únicamente si se presenta una prueba de compra. Esto se limita solamente a la reparación o reemplazo de componentes defectuosos de los muebles y no incluye el trabajo de armado. Esta garantía no se aplica a ningún producto que haya sido armado de manera inadecuada, sujeto a un mal uso o abuso o que haya sufrido cualquier tipo de alteración o reparación. Esta garantía le da las derechos legales específicas y usted puede también tener otras derechos que varíen de estado al estado.



**ADVERTENCIA: Si este producto se ha dañado, y/o sus componentes están rotos o faltan, NO LO USE.**

# CÓMODA DE 6 CAJONES DL1010-1

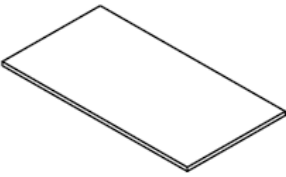
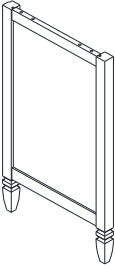
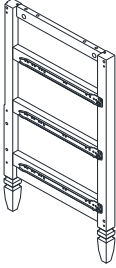
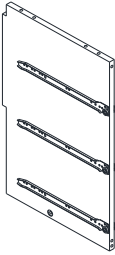
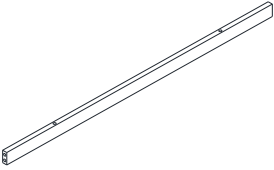
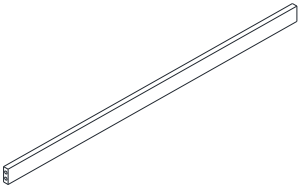
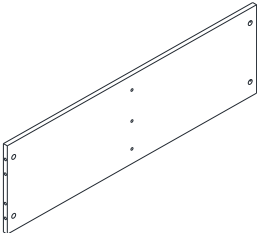
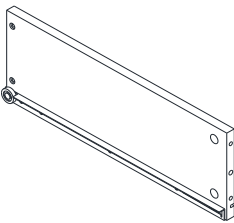
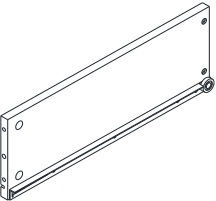
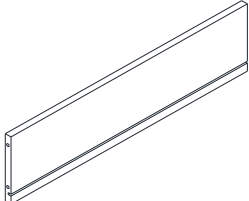
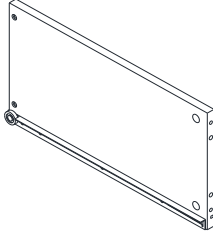
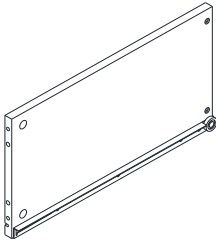
## LISTA DE ACCESORIOS

1	 Ø8 X 30 mm	2	 Ø6 X 20 mm	3	 Ø15 X 11 mm
CLAVIJA DE MADERA GRANDE 23 PZAS		CLAVIJA DE MADERA PEQUEÑA 20 PZAS		SEGURO DE LEVA GRANDE 18 PZAS	
4	 Ø7 X 36 mm	5	 Ø13 X 10 mm	6	 Ø7 X 28 mm
PERNO DE LEVA GRANDE 18 PZAS		SEGURO DE LEVA PEQUEÑO 24 PZAS		PERNO DE LEVA PEQUEÑO 24 PZAS	
7	 Ø3 X 15 mm	8	 Ø4 X 25 mm	9	
TORNILLO DE CABEZA REDONDA 14 PZAS		TORNILLO DE CABEZA PLANA 28 PZAS		POMO 6 PZAS	
10	 Ø5/32" X 7/8"	11	 Ø1/4" X 35 mm	12	 Ø1/4"
PERNO PEQUEÑO 6 PZAS		PERNO GRANDE 1 PZA		NIVELADOR AJUSTABLE 3 PZAS	
13		14			
LLAVE ALLEN 1 PZA		CORREA DE SEGURIDAD 1 KIT			

# Cómoda de 6 Cajones

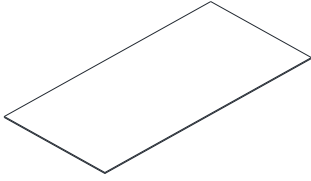
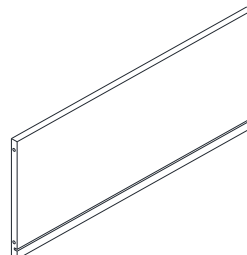
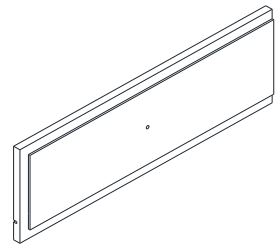
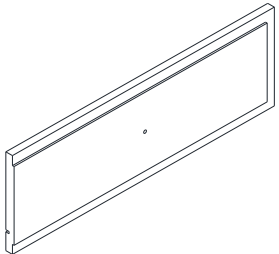
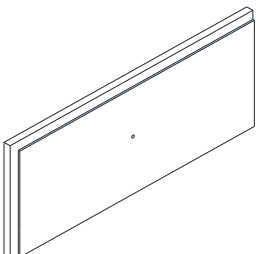
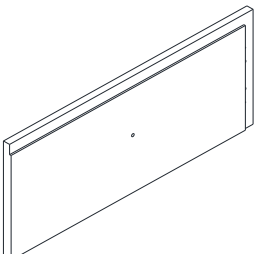
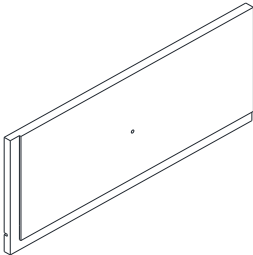
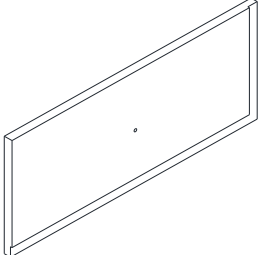
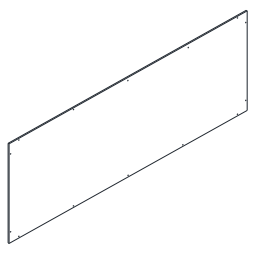

## DL1010-1

### LISTA DE PIEZAS

<p><b>A</b></p> 	<p><b>B</b></p> 	<p><b>C</b></p> 
<p>PANEL SUPERIOR 1 PZA</p>	<p>MARCO LATERAL IZQUIERDO 1 PZA</p>	<p>MARCO LATERAL DERECHO 1 PZA</p>
<p><b>D</b></p> 	<p><b>E</b></p> 	<p><b>F</b></p> 
<p>PANEL CENTRAL 1 PZA</p>	<p>SOPORTE SUPERIOR 2 PZAS</p>	<p>SOPORTE ANTERIOR INFERIOR 1 PZA</p>
<p><b>G</b></p> 	<p><b>H</b></p> 	<p><b>I</b></p> 
<p>PANEL POSTERIOR INFERIOR 1 PZA</p>	<p>LADO IZQUIERDO CAJÓN PEQUEÑO 2 PZAS</p>	<p>LADO DERECHO CAJÓN PEQUEÑO 2 PZAS</p>
<p><b>J</b></p> 	<p><b>K</b></p> 	<p><b>L</b></p> 
<p>LADO POSTERIOR CAJÓN PEQUEÑO 2 PZAS</p>	<p>LADO IZQUIERDO CAJÓN GRANDE 4 PZAS</p>	<p>LADO DERECHO CAJÓN GRANDE 4 PZAS</p>

# Cómoda de 6 Cajones DL1010-1

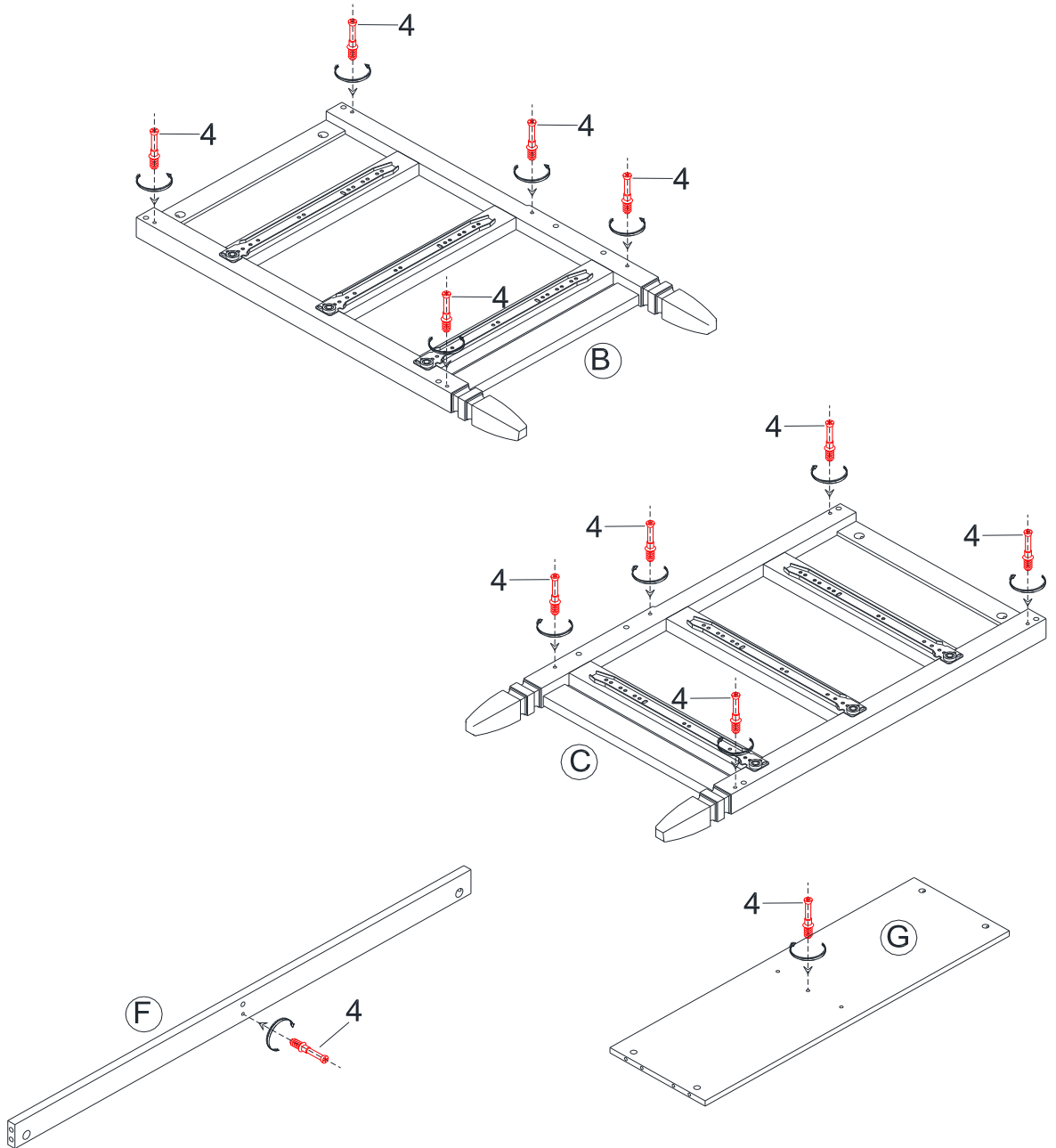
## LISTA DE PIEZAS

<p><b>M</b></p> 	<p><b>N</b></p> 	<p><b>O</b></p> 
<p>CAJÓN INFERIOR 6 PZAS</p>	<p>LADO POSTERIOR CAJÓN GRANDE 4 PZAS</p>	<p>FRENTE CAJÓN SUPERIOR IZQUIERDO 1 PZA</p>
<p><b>P</b></p> 	<p><b>Q</b></p> 	<p><b>R</b></p> 
<p>FRENTE CAJÓN SUPERIOR DERECHO 1 PZA</p>	<p>FRENTE CAJÓN CENTRAL IZQUIERDO 1 PZA</p>	<p>FRENTE CAJÓN CENTRAL DERECHO 1 PZA</p>
<p><b>S</b></p> 	<p><b>T</b></p> 	<p><b>U</b></p> 
<p>FRENTE CAJÓN INFERIOR IZQUIERDO 1 PZA</p>	<p>FRENTE CAJÓN INFERIOR DERECHO 1 PZA</p>	<p>PANEL POSTERIOR 1 PZA</p>
<p><b>V</b></p>  <p>PANEL DE SOPORTE 1 PZA</p>		

# Cómoda de 6 Cajones DL1010-1

## ETAPA 1

Inserte pernos de leva grandes (4) en el soporte anterior inferior (F), el panel posterior inferior (G), el marco lateral izquierdo (B) y el marco lateral derecho (C) como ilustrado.



4		12 PCS
---	--	--------

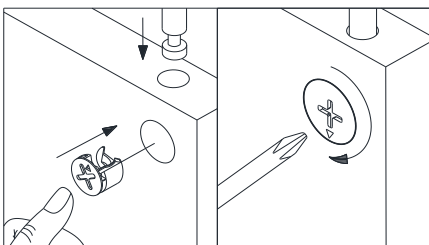
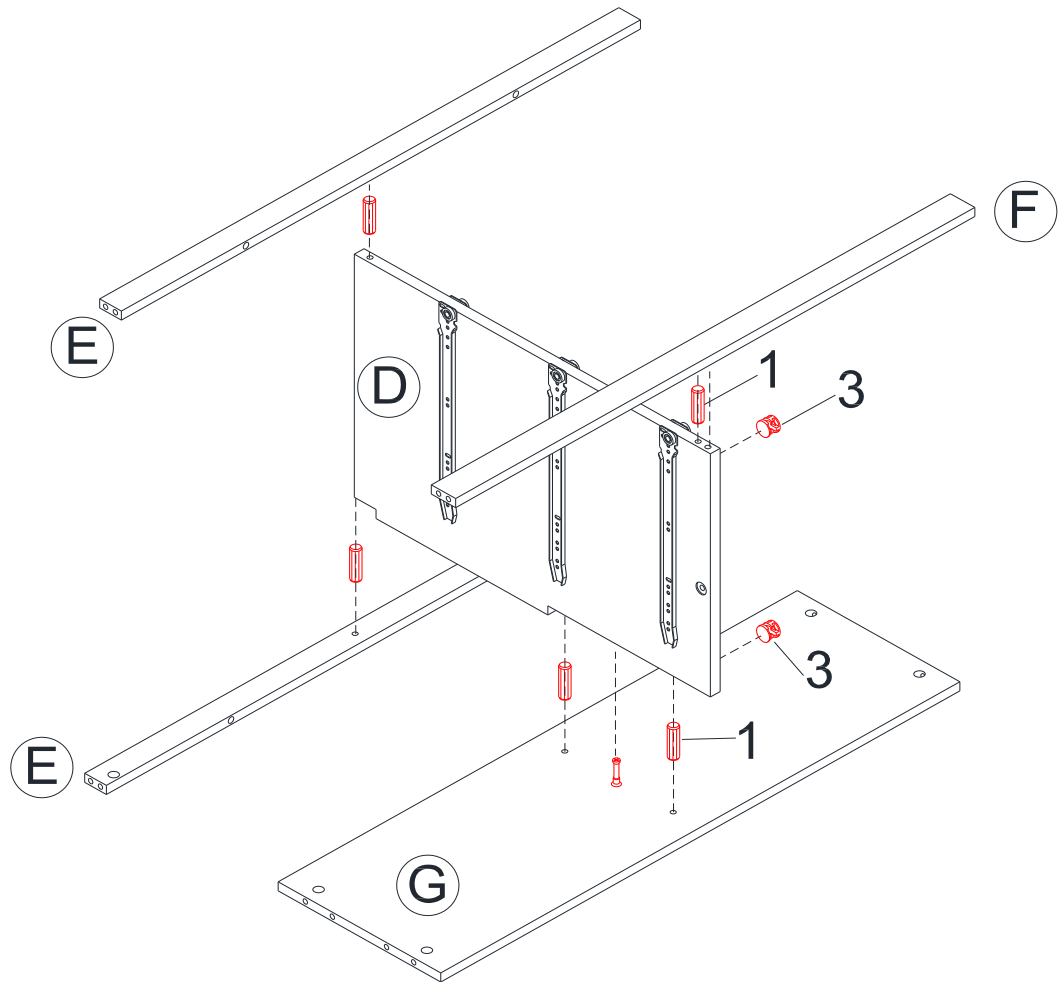
# Cómoda de 6 Cajones DL1010-1


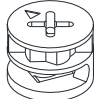
## ETAPA 2

Inserte seguros de leva grandes (3) en el panel central (D) como ilustrado.

Una los soportes (E y F) y el panel inferior posterior (G) al panel central (D) con clavijas de madera grandes (1) como ilustrado.

Fije el soporte (F) y el panel inferior posterior (G) al panel central (D) girando los seguros de leva grandes (3) colocados en el panel central (D) 1/2 vuelta en sentido horario con un destornillador Phillips (no incluido).



1		5 PCS
3		2PCS

# Cómoda de 6 Cajones DL1010-1

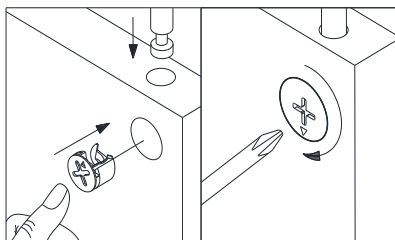
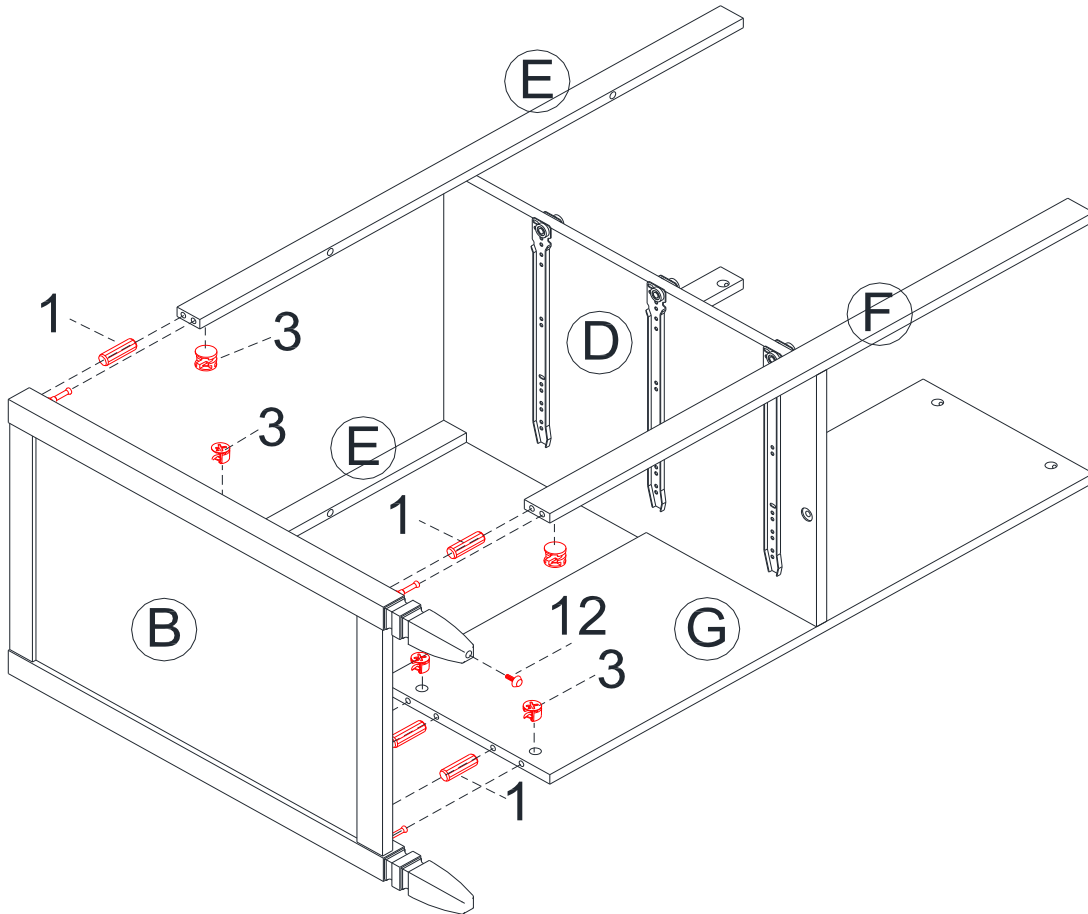
## ETAPA 3

Inserte clavijas de madera grandes (1) en el marco lateral izquierdo (B).

Inserte seguros de leva grandes (3) en el soporte superior (E), el soporte anterior inferior (F) y el panel posterior inferior (G).

Fije el marco lateral izquierdo (B) a la unidad ya armada girando los seguros de leva grandes (3) colocados en el soporte superior (E), el soporte anterior inferior (F) y el panel posterior inferior (G) 1/2 vuelta en sentido horario con un destornillador Phillips (no incluido).

Instale el nivelador ajustable (12) en el marco lateral izquierdo (B) como ilustrado.



1		5 PCS
3		5 PCS
12		1 PC

# Cómoda de 6 Cajones DL1010-1

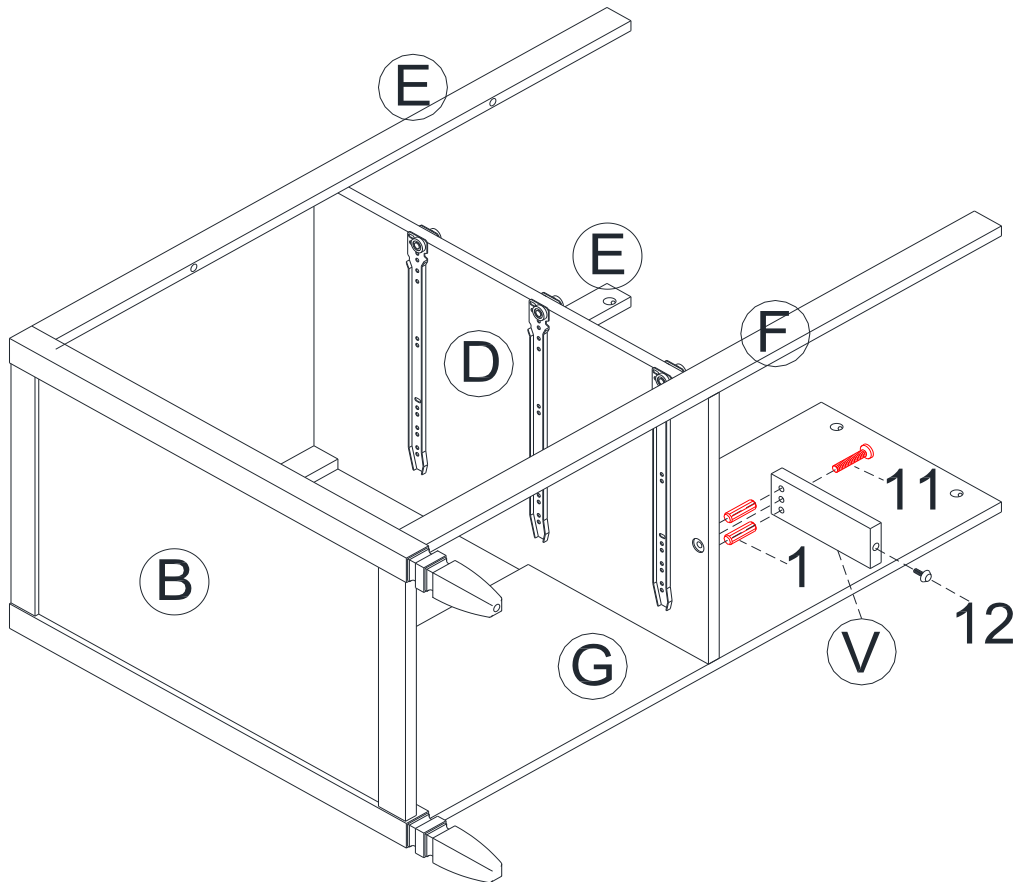
## ETAPA 4

Inserte clavijas de madera grandes (1) en el panel de soporte (V). Una el panel de soporte (V) a la unidad ya armada como ilustrado.

Fije el panel de soporte (V) al panel central (D) con un perno grande (11) como ilustrado.

Utilice la llave Allen (13) para ajustar el perno.

Instale el nivelador ajustable (12) en el panel de soporte (V) como ilustrado.

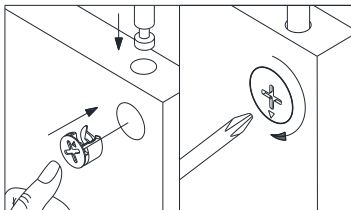
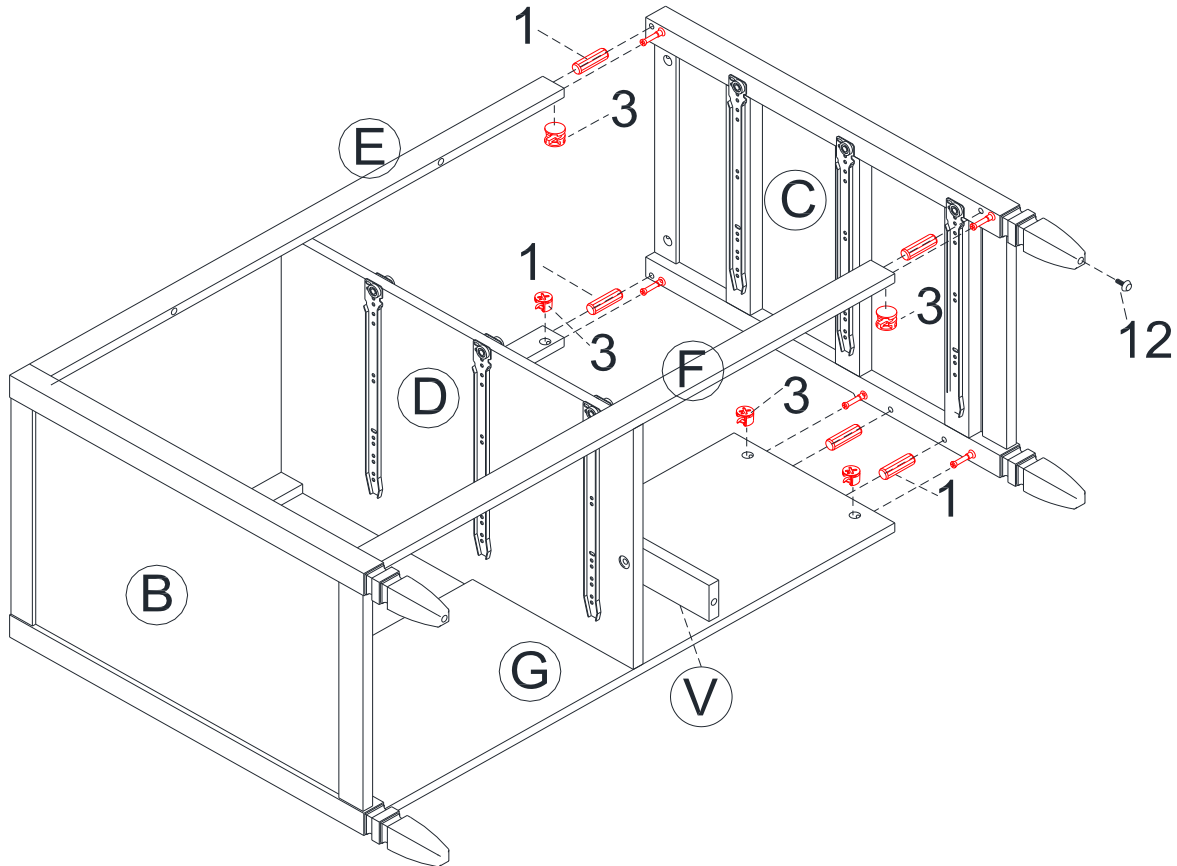



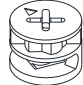

1		2 PCS
11		1PC
12		1PC
13		1PC

# Cómoda de 6 Cajones DL1010-1

## ETAPA 5

Inserte clavijas de madera grandes (1) en el marco lateral derecho (C).  
Inserte seguros de leva grandes (3) en los soportes (E y F) y en el panel posterior inferior (G).  
Fije el marco lateral derecho (C) a la unidad ya armada girando los seguros de leva (3) colocados en el soporte superior (E), en el soporte anterior inferior (F) y en el panel posterior inferior (G) 1/2 vuelta en sentido horario con un destornillador Phillips (no incluido).  
Instale el nivelador ajustable (12) en el marco lateral derecho (C) como ilustrado.

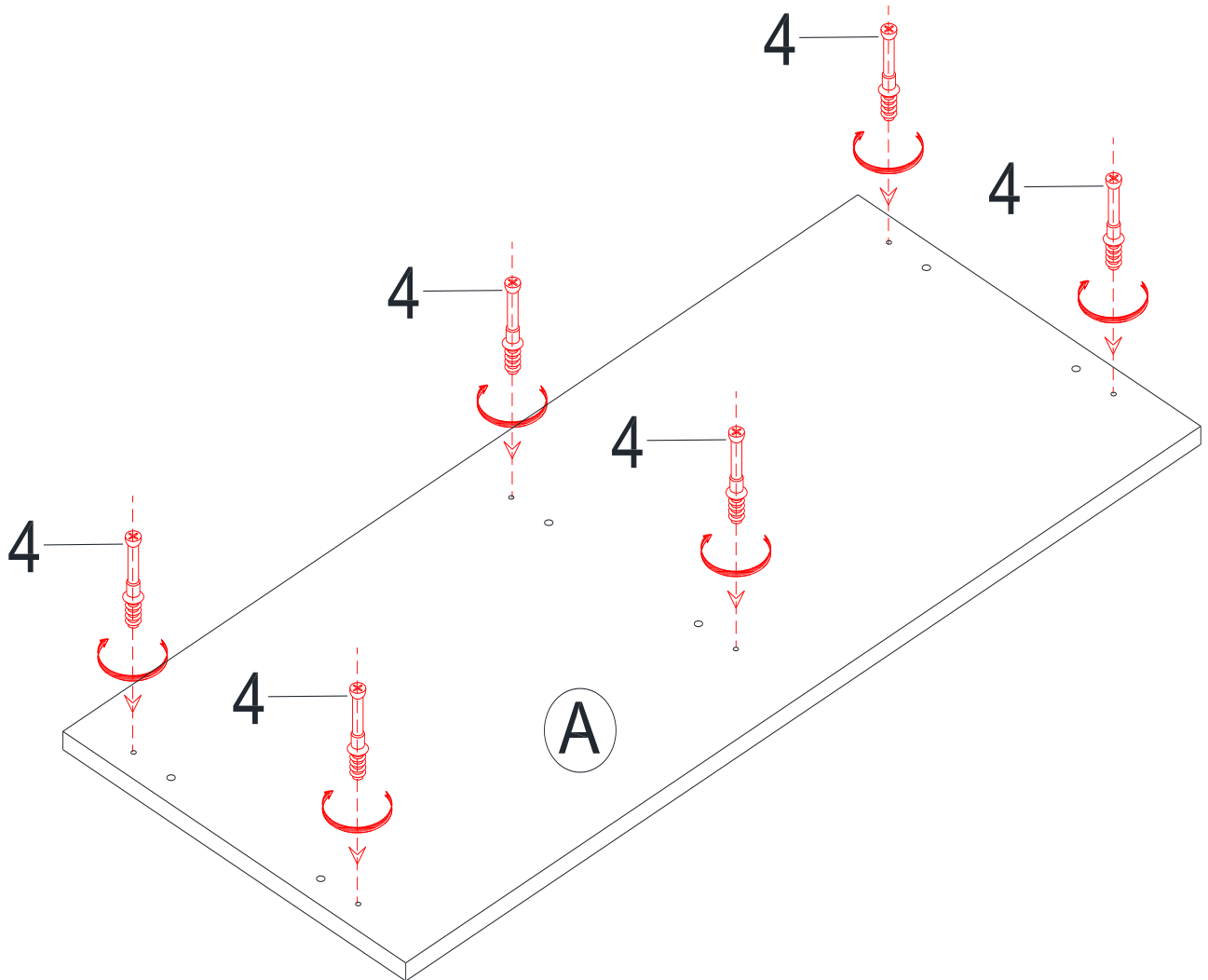


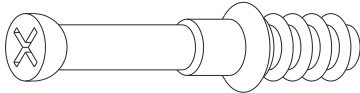
1		5 PCS
3		5 PCS
12		1 PC

# Cómoda de 6 Cajones DL1010-1

## ETAPA 6

Inserte pernos de leva grandes (4) en el panel superior (A).



4		6 PCS
---	---	-------

# Cómoda de 6 Cajones DL1010-1

## ETAPA 7

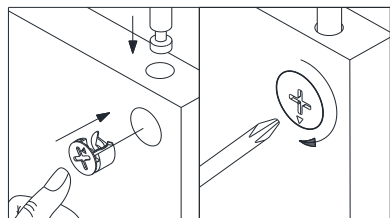
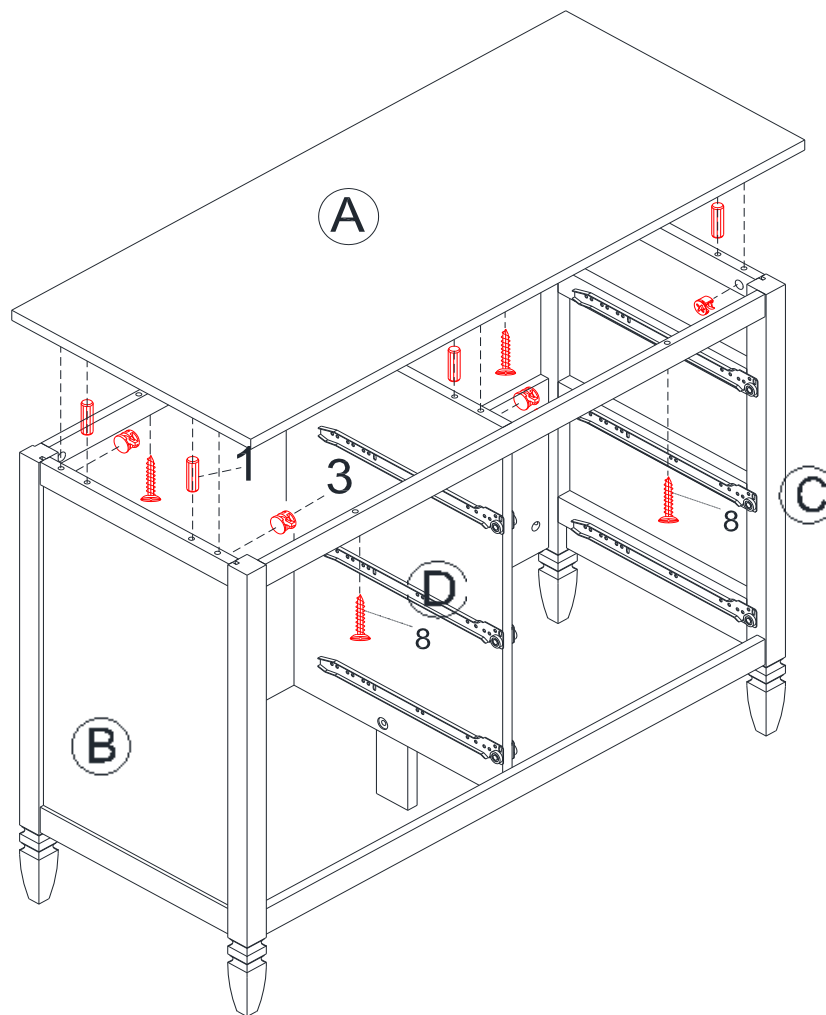
Inserte clavijas de madera grandes (1) en el marco lateral izquierdo (B), en el panel central (D) y en el marco lateral derecho (C) como ilustrado.

Inserte seguros de leva grandes (3) en los marcos laterales (B y C) y en el panel central (D).

Coloque el panel superior (A) sobre la unidad ya armada.

Gire los seguros de leva grandes (3) colocados en los marcos laterales (B y C) y en el panel central (D) 1/2 vuelta en sentido horario para fijar el panel superior (A).

Fije definitivamente el panel superior (A) con tornillos de cabeza plana (8) pasando a través del soporte (E) y del panel central (D). Utilice un destornillador Phillips (no incluido) para ajustar los tornillos.

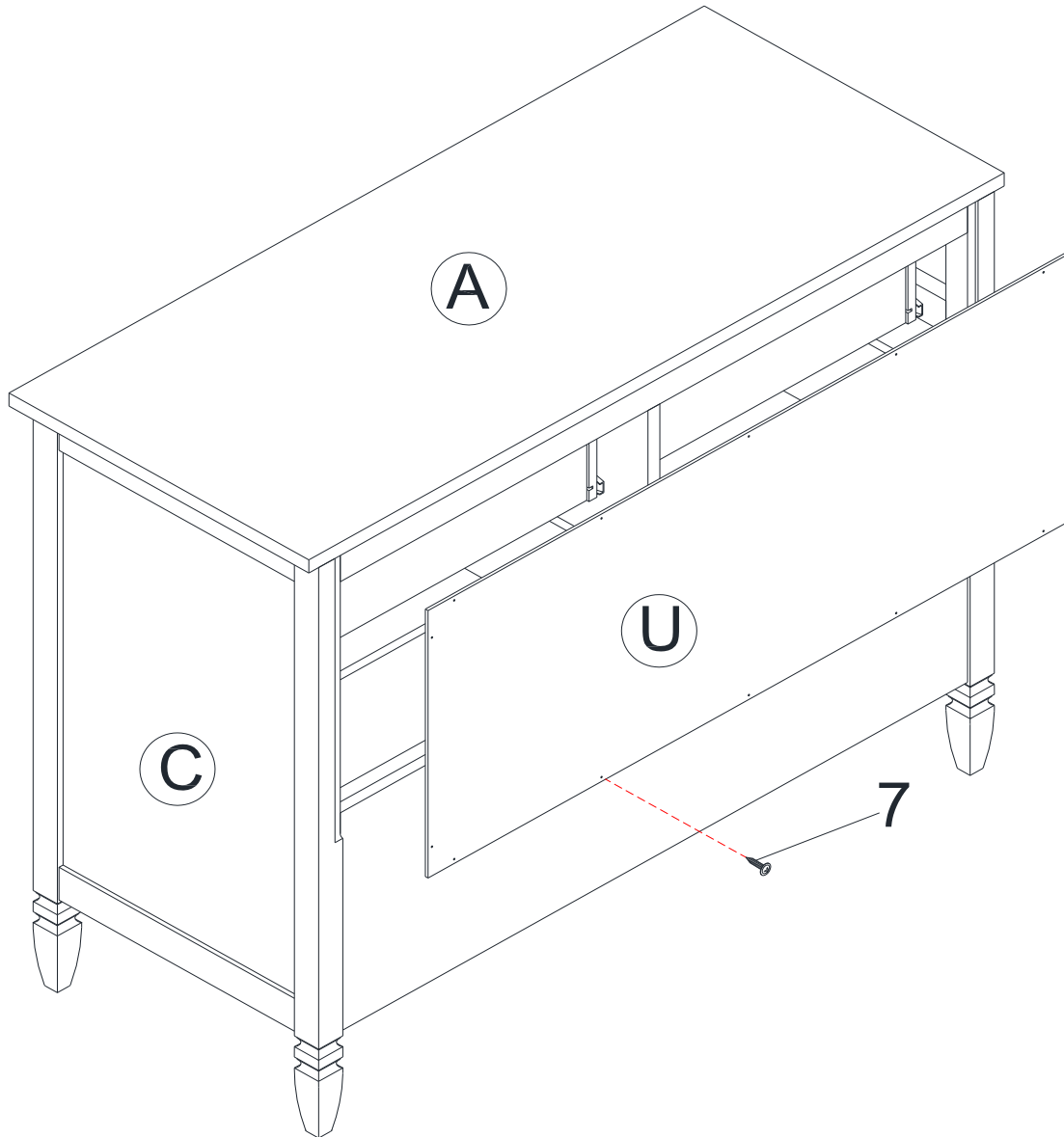


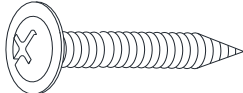
1		6 PCS
3		6PCS
8		4 PCS

# Cómoda de 6 Cajones DL1010-1

## ETAPA 8

Una el panel posterior (U) a la unidad ya armada con tornillos de cabeza redonda (7).  
Utilice un destornillador Phillips (no incluido) para ajustar los tornillos.



7		14 PCS
---	--	--------

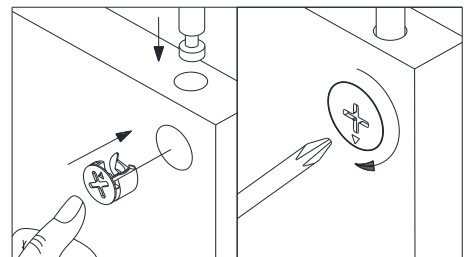
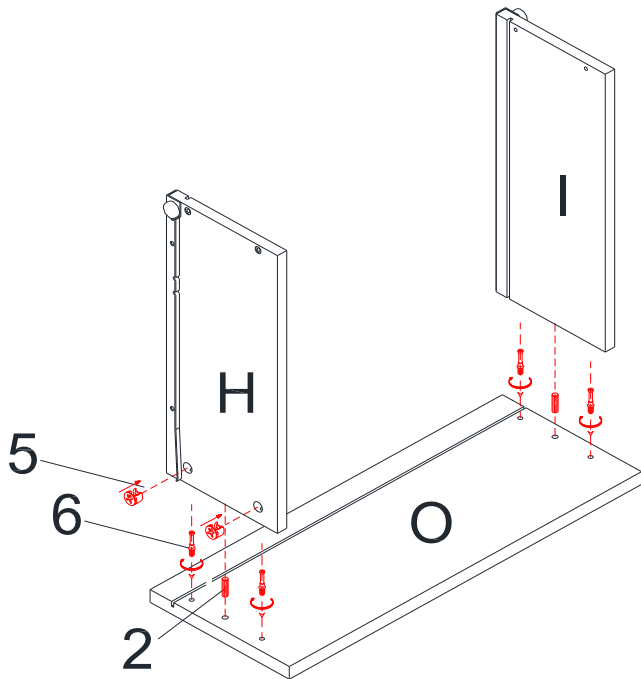
# Cómoda de 6 Cajones DL1010-1


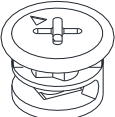

## ETAPA 9

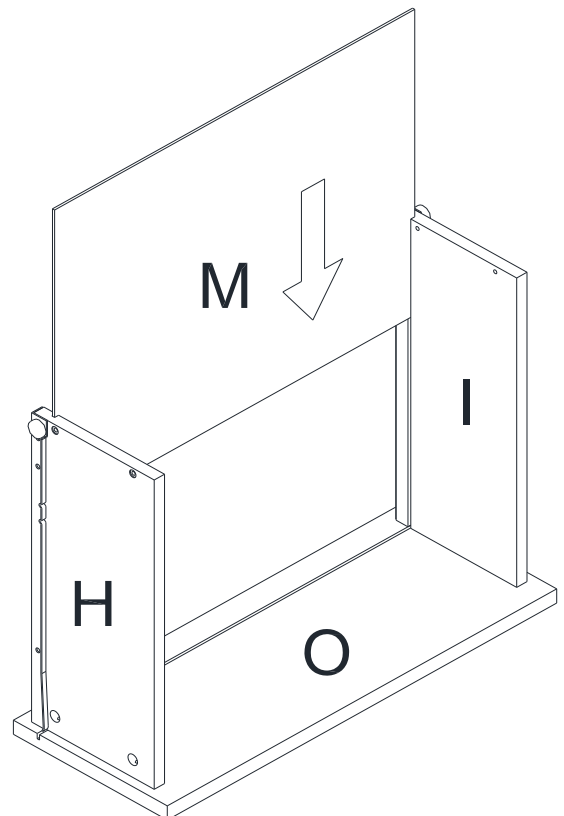
Inserte pernos de leva pequeños (6) y clavijas de madera pequeñas (2) en el frente del cajón superior izquierdo (O).

Inserte seguros de leva pequeños (5) en el lado izquierdo del cajón pequeño (H) y el lado derecho del cajón pequeño (I).

Una los lados del cajón (H e I) al frente del cajón superior izquierdo (O). Fije los lados del cajón (H e I) girando los seguros de leva pequeños (5) 1/2 vuelta en sentido horario con un destornillador Phillips (no incluido). Deslice el fondo del cajón (M) en las ranuras de los lados del cajón (H e I) y del frente del cajón superior izquierdo (O).



2		4 PCS
5		8 PCS
6		8 PCS



# Cómoda de 6 Cajones DL1010-1

## ETAPA 10

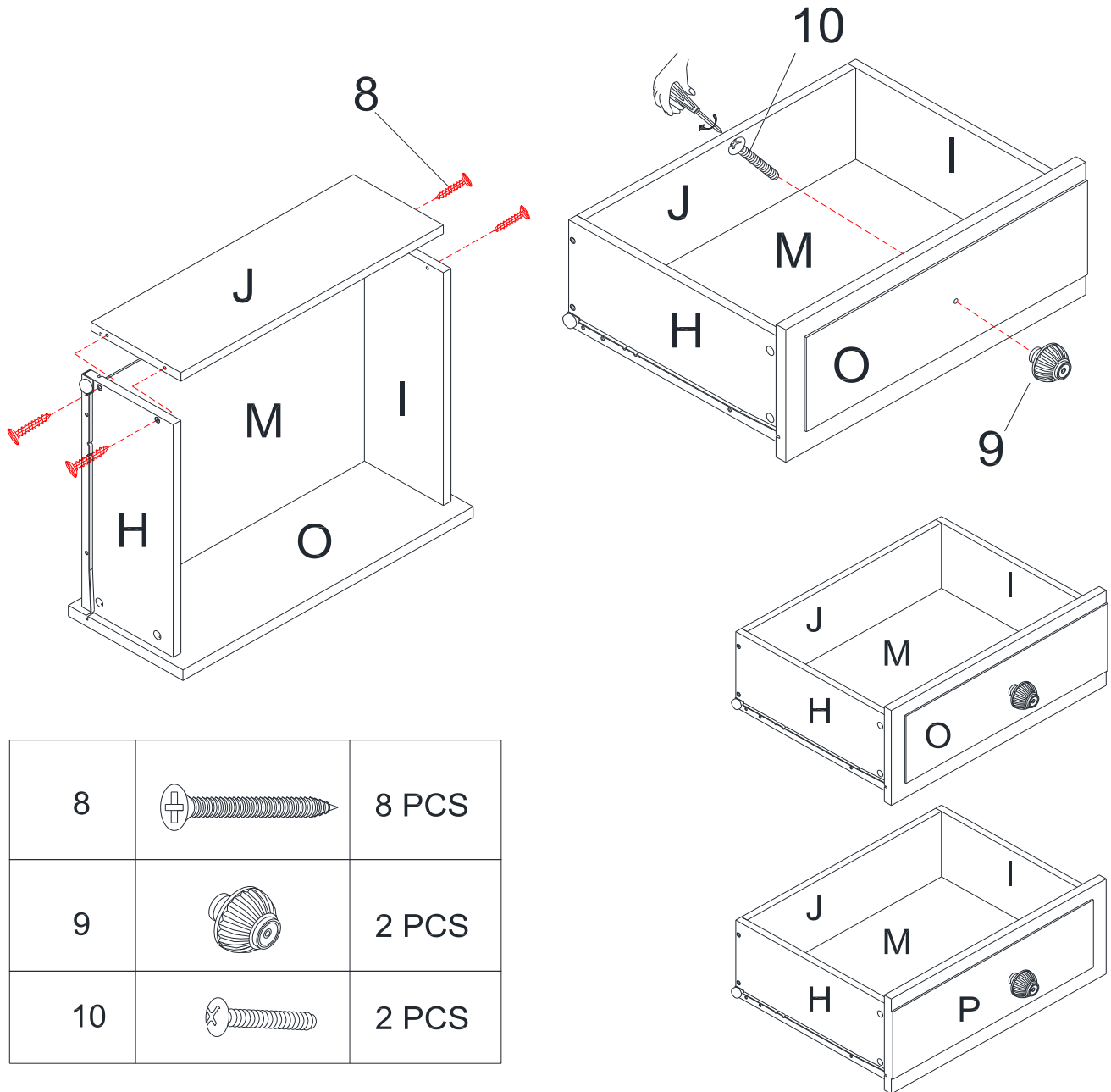
Una los lados posteriores de los cajones pequeños (J) a los lados de los cajones (H e I) con tornillos de cabeza plana (8).

Utilice un destornillador Phillips (no incluido) para ajustar los tornillos.

Coloque un pomo (9) en el frente del cajón superior izquierdo (O) con un perno (10).

Utilice un destornillador Phillips (no incluido) para ajustar el perno.

Repita las etapas 9 y 10 para armar el cajón superior derecho utilizando el cajón superior derecho (P).



# Cómoda de 6 Cajones DL1010-1

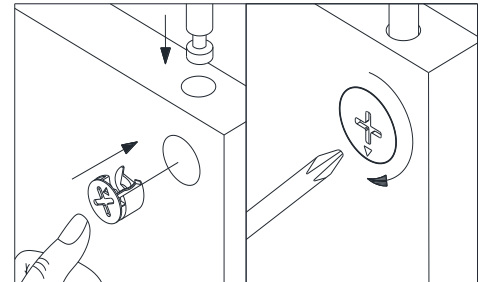
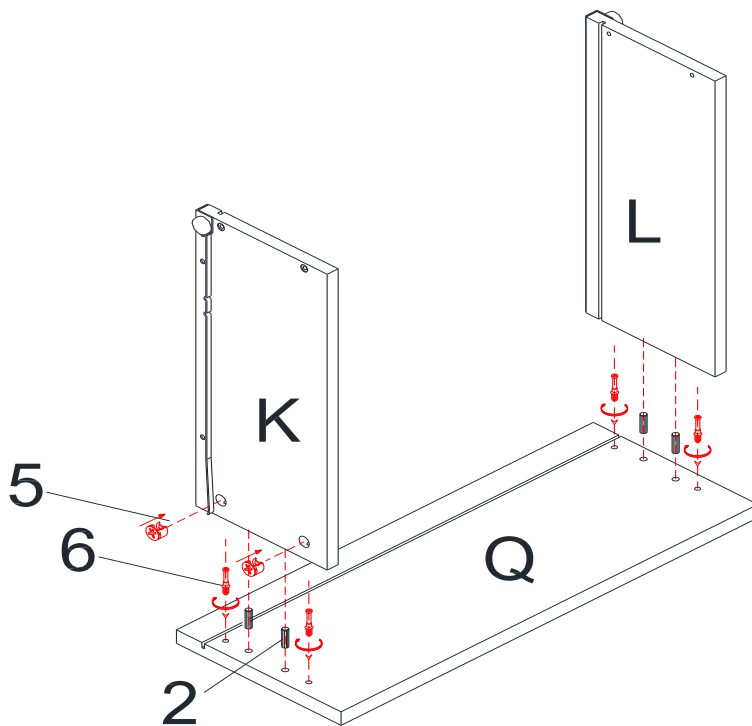
## ETAPA 11


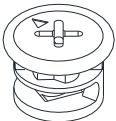

Inserte pernos de leva pequeños (6) y clavijas de madera pequeñas (2) en el frente del cajón central izquierdo (Q).

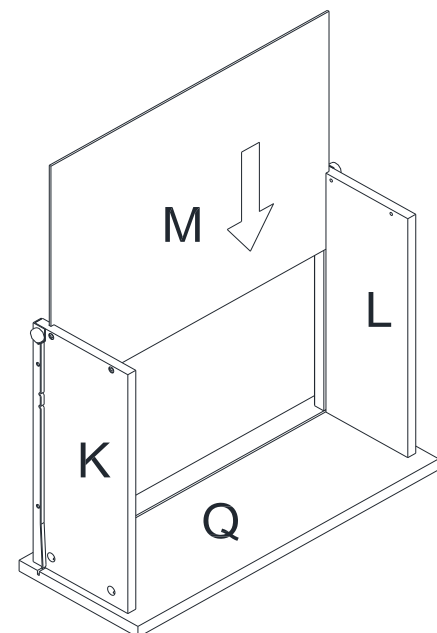
Inserte seguros de leva pequeños (5) en el lado izquierdo del cajón grande (K) y en el lado derecho del cajón grande (L).

Una los lados del cajón grande (K y L) al frente del cajón central izquierdo (Q). Fije los lados del cajón girando los seguros de leva pequeños (5) 1/2 vuelta en sentido horario con un destornillador Phillips (no incluido).

Deslice el fondo del cajón (M) en las ranuras de los lados del cajón grande (K y L) y del frente del cajón central izquierdo (Q).



2		16 PCS
5		16 PCS
6		16 PCS



# Cómoda de 6 Cajones DL1010-1

## ETAPA 12

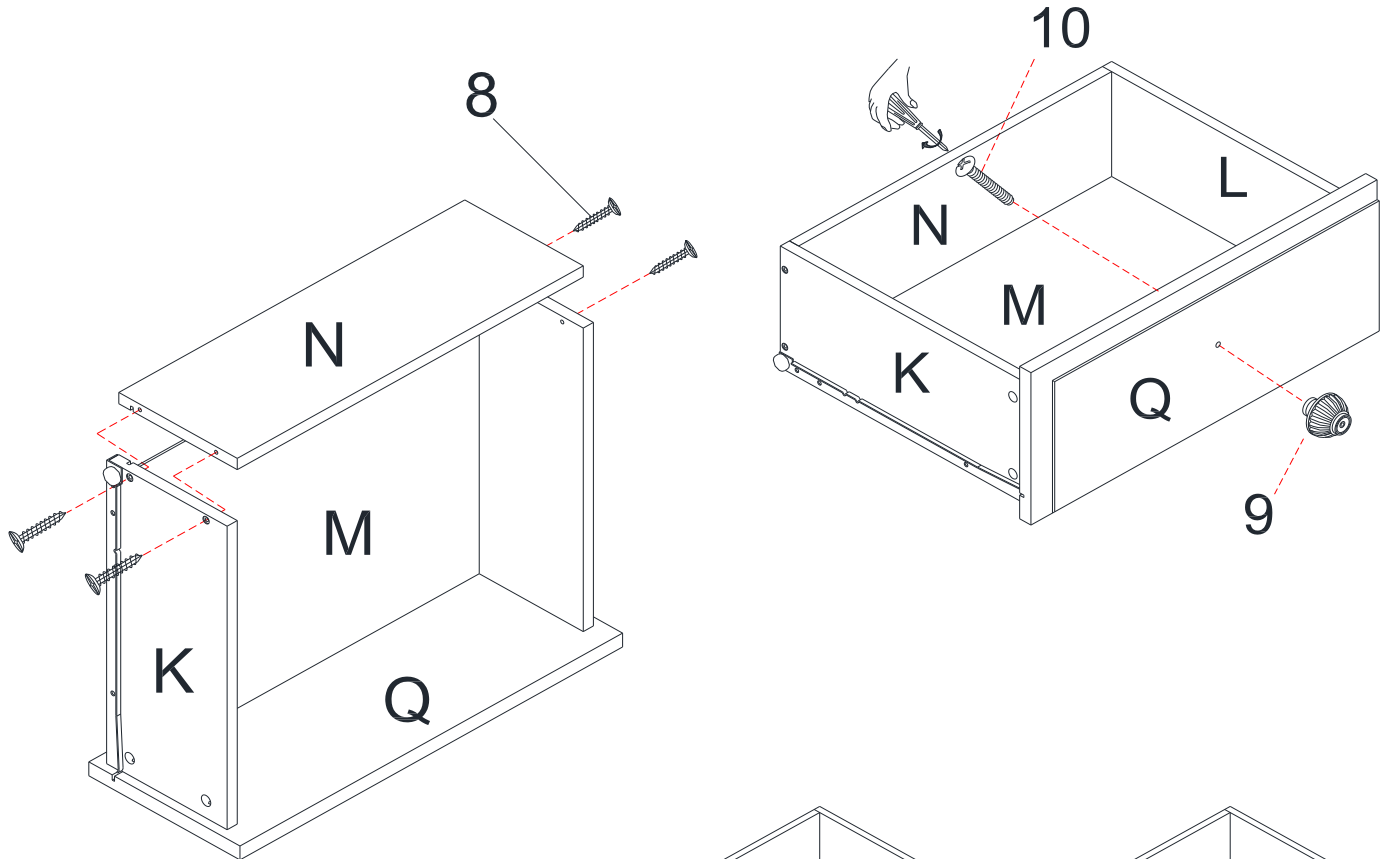
Una un lado posterior del cajón grande (N) con los lados del cajón (K y L) con tornillos de cabeza plana (8).

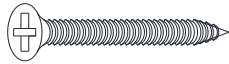


Utilice un destornillador Phillips (no incluido) para ajustar los tornillos.

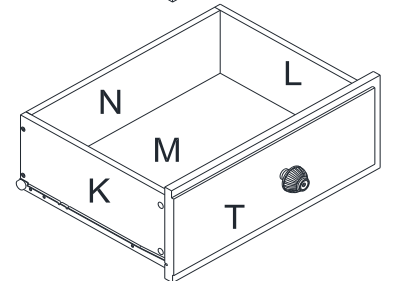
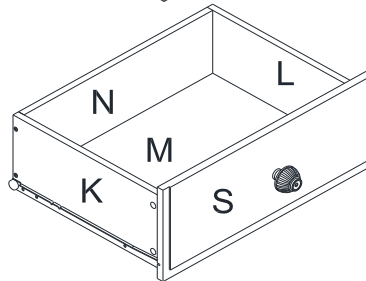
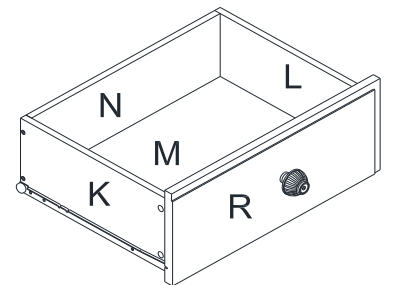
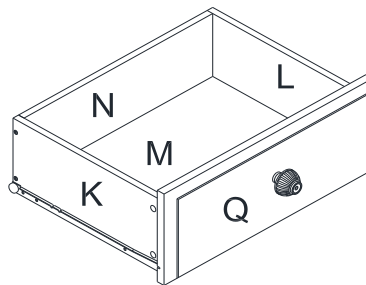
Coloque un pomo (9) en el frente del cajón central izquierdo (Q) con un perno (10).

Utilice un destornillador Phillips (no incluido) para ajustar el perno.

Repita las etapas 11 y 12 para armar los otros cajones utilizando la frente cajóns (R, S y T).



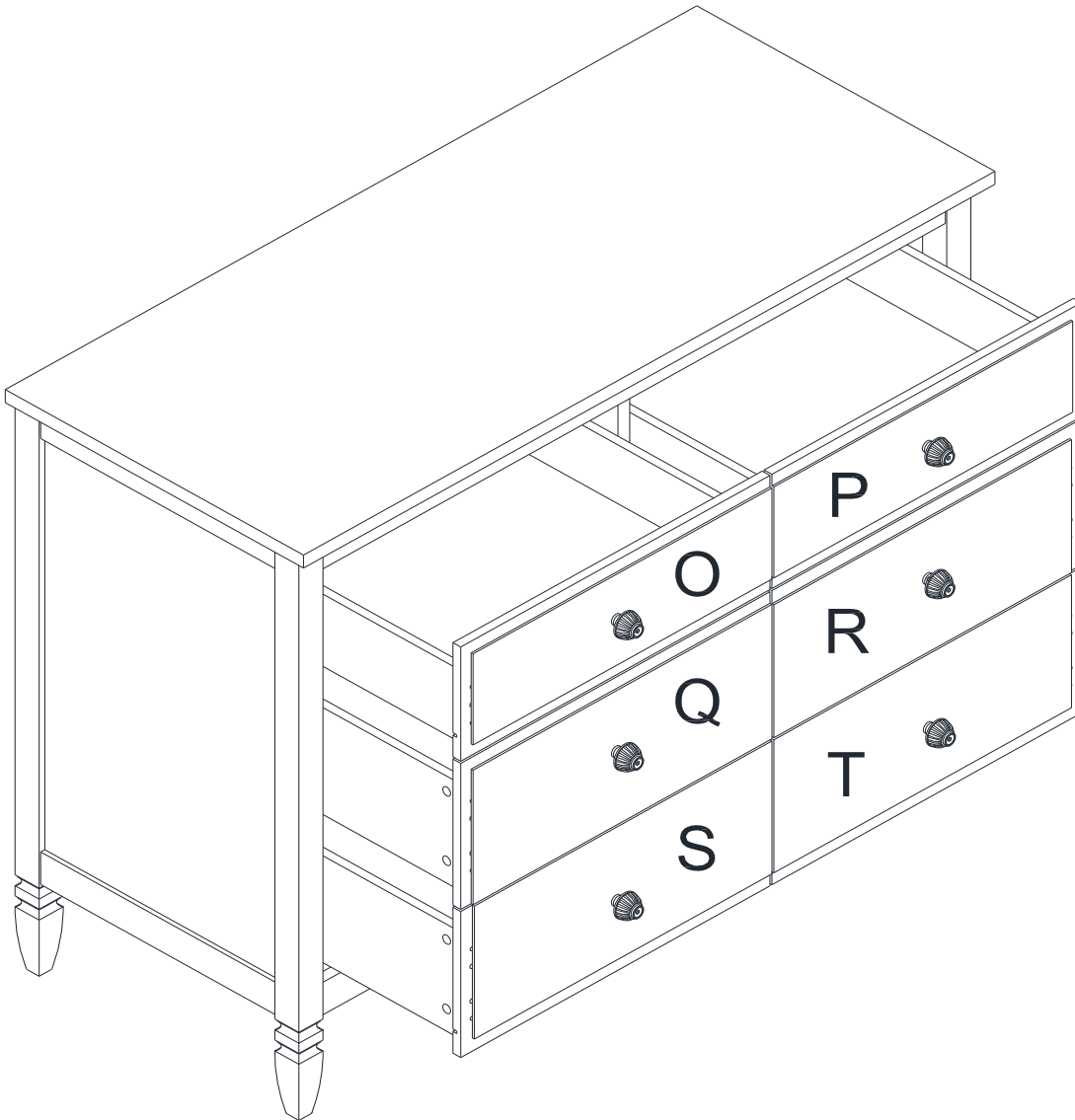
8		16 PCS
9		4 PCS
10		4 PCS



# Cómoda de 6 Cajones DL1010-1

## ETAPA 13

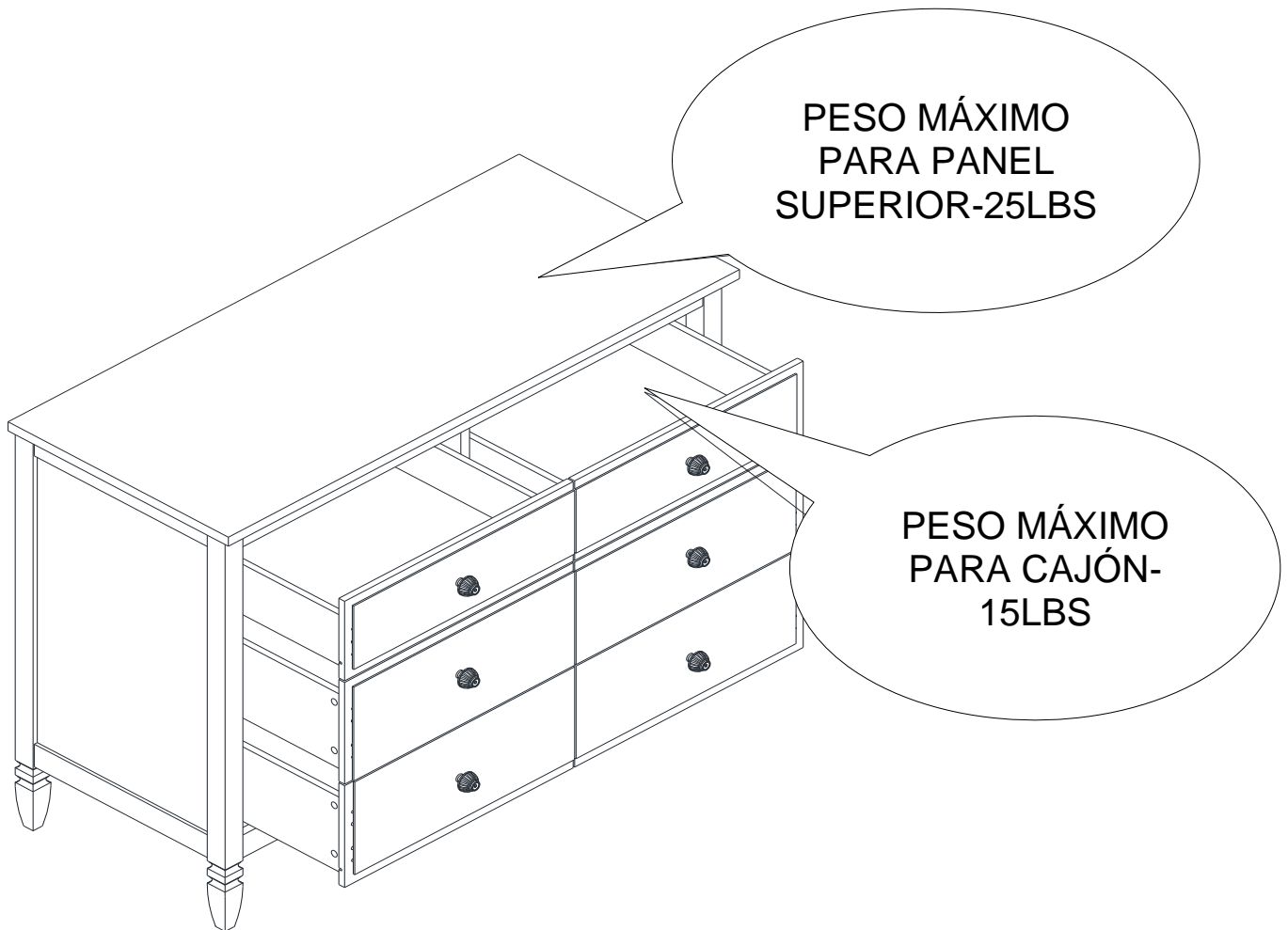
Coloque todos los cajones en la cómoda ya armada como ilustrado.



# Cómoda de 6 Cajones DL1010-1



**PRECAUCIÓN:** Esta unidad está prevista únicamente para ser usada con los productos y el peso máximo indicados. El usarla con otros productos más pesados que el peso máximo indicado puede provocar inestabilidad y causar heridas.



¡Listo! ¡Ya ha terminado de ensamblar la cómoda de 6 cajones.

**NO DEVUELVA EL PRODUCTO A LA TIENDA.**

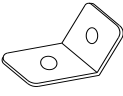



Si falta una pieza o está dañada, contacte nuestro departamento de servicio a la clientela. Reemplazaremos la pieza SIN cargo.



Tel #: 1-800-295-1980  
Correo electrónico: [das@dorel.com](mailto:das@dorel.com)  
Fax #: 514-353-7819

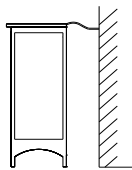
# Correa de seguridad para fijar el mueble a la pared

## Lista de tornillos y accesorios

A	B	C	D
			
GANCHO DE METAL 4 PZAS	CORREA DE SEGURIDAD PARA LA PARED 2 PZA	TORNILLO LARGO 2 PZA	TORNILLO CORTO 2 PZA

HERRAMIENTAS NECESARIAS: LA MASA DE CAUCHO Y EL DESTORNILLADOR PHILLIPS NO ESTÁN INCLUIDOS.

NOTA: LA MECHA DE 5/16" Y EL TALADRO ELÉCTRICO NO ESTÁN INCLUIDOS.



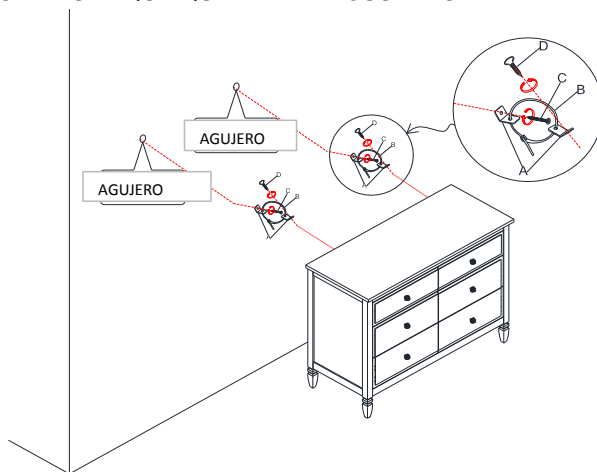
**⚠ ADVERTENCIA: ES POSIBLE QUE EL MUEBLE PUEDA VOLCARSE AL ESTAR DE PIE. INSTALE LA CORREA DE SEGURIDAD PARA LA PARED DETRÁS DEL MUEBLE PARA ASEGURARSE DE QUE NO SE VUELQUE.**

SÍRVASE LEER TODAS LAS INSTRUCCIONES CON ATENCIÓN ANTES DE UTILIZAR ESTE PRODUCTO Y SÍRVASE CONSERVARLAS PARA SU USO FUTURO. SI TIENE PREGUNTAS, POR FAVOR LLAME A NUESTRO NÚMERO DE ATENCIÓN AL CLIENTE: 1-800-295-1980.

ETAPA 1: CON EL TORNILLO CORTO (D), FIJE FIRMEMENTE UN GANCHO DE METAL (A) A LA BARRA TRANSVERSAL SUPERIOR POSTERIOR DEL MEUBLE, A TRAVÉS DEL AGUJERO MÁS PEQUEÑO

ETAPA 2: CON UN ANCLAJE, COLOQUE EL OTRO GANCHO DE METAL (A) SOBRE LA PARED 2 PULGADAS POR DEBAJO DEL GANCHO YA COLOCADO EN LA PARTE POSTERIOR DEL MUEBLE. FÍJELO AL ANCLAJE DE LA PARED CON EL TORNILLO LARGO (C), A TRAVÉS DEL AGUJERO MÁS PEQUEÑO.

ETAPA 3: COLOQUE EL MUEBLE EN SU POSICIÓN DE MANERA QUE LOS DOS GANCHOS ESTÉN ALINEADOS VERTICALMENTE. PASE EL EXTREMO DE LA CORREA DE SEGURIDAD (B) A TRAVÉS DEL AGUJERO MÁS GRANDE DE CADA GANCHO (A). COLOQUE LOS DOS EXTREMOS JUNTOS Y DESLICE EL EXTREMO PLANO A TRAVÉS DEL EXTREMO DE LA FIJACIÓN HASTA QUE QUEDE BIEN AJUSTADO.



ETAPA 4: ASEGÚRESE DE QUE LA CORREA ESTÉ BIEN PASADA Y AJUSTADA.

PARA DESPLAZAR EL MUEBLE DESPUÉS DE HABER INSTALADO LA CORREA EN LA PARED, SIMPLEMENTE RETIRE EL TORNILLO (A) DE LA PARED PARA AFLOJAR LA CORREA DE SEGURIDAD.

# Servicio a la Clientela

**POR FAVOR, NO DEVUELVA ESTE PRODUCTO A LA TIENDA**

**POR FAVOR, CONTACTE LOS REPRESENTANTES DEL SERVICIO A LA CLIENTELA  
A LOS SIGUIENTES NÚMEROS SI FALTA UNA PIEZA O ESTÁ DEFECTUOSA.**

Número de teléfono del Servicio a la Clientela 1-800-295-1980  
Número de fax del Servicio a la Clientela 514-353-7819      Email: [das@dorel.com](mailto:das@dorel.com)

Fecha de pedido:

Nombre:

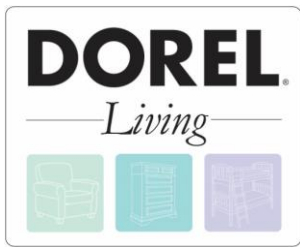
Dirección de envío:   
Calle y número:  
Ciudad y Estado:  
Código postal:

Teléfono para llamar de día:  
(incluyendo código regional)

Fecha y lugar de compra:

Descripción de pieza(s) y cantidad: (Por favor, asegúrese de incluir número de modelo o número SKN)

Dirección postal del Servicio a la Clientela:



# Commode 6 Tiroirs

Modèle No:

Code CUP:

Couleur:

DL1010-1

0-65857-17161-7

Blanc

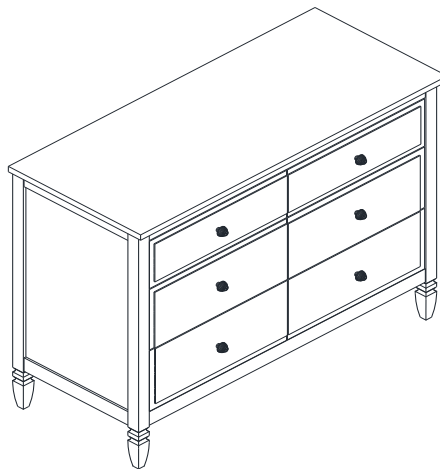
Félicitations pour votre dernier achat d'un meuble ! Les meubles de la ligne **Dorel Living** ont été conçus ayant en tête la qualité, la commodité et le style. Nous sommes convaincus que ce meuble vous servira durant de nombreuses années avec un confort exceptionnel.

Nous vous encourageons à vous familiariser avec les caractéristiques de votre nouveau meuble avant de commencer l'assemblage ; prenez donc quelques minutes pour lire ce manuel. Il contient de l'information importante concernant notre garantie et des conseils d'entretien pour vous assurer de garder votre meuble aussi beau qu'aux premiers jours.

La satisfaction de nos clients est important pour nous chez Dorel Asia. Nos représentants sont disponibles du lundi au vendredi de 8 h à 17 h (heure de l'est) pour répondre à toutes vos questions. Afin d'accélérer le service, ayez toujours en main le numéro de modèle lorsque vous contacterez notre numéro sans frais **1-800-295-1980** ou par courriel à **das@dorel.com**.

Pour trouver d'autres idées inspirantes, veuillez visiter notre site web à [www.dorelliving.com](http://www.dorelliving.com).

Vous pouvez aussi souscrire à notre page **Facebook** pour être à la fine pointe de toutes les dernières tendances.



Date d'achat : \_\_\_\_ / \_\_\_\_ / \_\_\_\_

Numéro de lot : \_\_\_\_\_  
(sur la boîte)

**NE RETOURNEZ PAS LE PRODUIT AU MAGASIN.** Si une pièce est manquante ou endommagée, veuillez communiquer avec notre service à la clientèle. Nous la remplacerons **GRATUITEMENT.**

**NOTE:** CE MANUEL D'INSTRUCTIONS CONTIENT INFORMATION DE SÉCURITÉ **IMPORTANTE.** VEUILLEZ LE LIRE ET LE CONSERVER POUR RÉFÉRENCE ULTÉRIEURE.

## SERVICE À LA CLIENTÈLE

Si une pièce est manquante, ou pour toute question concernant ce produit, veuillez d'abord communiquer avec notre représentant de service à la clientèle!

 **APPELEZ AU 1-800-295-1980**

Vous pouvez aussi commander des pièces en écrivant à l'adresse indiquée ci-dessous. Veuillez inclure le numéro de modèle du produit, la couleur et une description détaillée de la pièce.

**Service à la clientèle No. 413**  
**12345 Boulevard Albert-Hudon, bureau 100**  
**Montréal, Québec**  
**Canada H1G 3L1**  
**COURRIEL : [das@dorel.com](mailto:das@dorel.com)**

## NOTES :

- \* Veuillez vous assurer d'avoir toutes les pièces et composants avant de commencer l'assemblage.
- \* Monter sur une surface douce, lisse pour éviter d'endommager la finition du produit.
- \* Utilisez la courroie de sécurité fournie pour fixer le meuble au mur.
- \* Phillips head screw driver is not included.
- \* **NE PAS UTILISER** d'outils électriques.
- \* ATTENTION: Doit être assemblé par un adulte.
- \* Deux personnes peuvent être nécessaires pour l'assemblage et la manipulation.
- \* Pour éviter des dommages, une fois les niveleurs installés, NE PAS traîner le meuble sur la surface pour le déplacer. Assurez-vous de le soulever.
- \* Le temps d'assemblage estimé est de 60 minutes.

## AVERTISSEMENT

**Des blessures graves ou mortelles par écrasement peuvent se produire par des meubles renversés. Pour aider à prévenir les renversements:**

- \* Installer le dispositif de retenue fourni.
- \* Placez les articles lourds dans les tiroirs inférieurs.
- \* À moins d'être conçu spécifiquement pour accommoder, ne pas placer de téléviseurs ou d'autres objets lourds sur le dessus de ce produit.
- \* Ne jamais laisser les enfants grimper ou se suspendre aux tiroirs, portes ou étagères.
- \* Ne jamais ouvrir plus d'un tiroir à la fois.
- \* Ne pas déjouer ou enlever le système de verrou du tiroir.
- \* L'utilisation de dispositif de retenue peut seulement réduire, mais non éliminer le risque de renversement.

## ENTRETIEN ET NETTOYAGE

Époussetez régulièrement avec un chiffon doux et sans charpie pour empêcher la poussière de s'accumuler. Essayez immédiatement. N'utilisez pas des produits nettoyants abrasifs sur le cadre de métal, car cela pourrait endommager la finition. Une exposition excessive au soleil et aux changements extrêmes de température et de l'humidité peut endommager le bois.

### ENTRETIEN

Veuillez vérifier les boulons et les vis périodiquement et serrez-les si cela s'avère nécessaire.

## GARANTIE LIMITEE

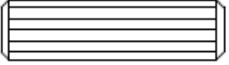
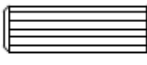



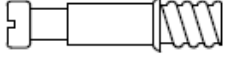
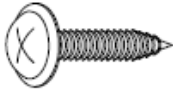
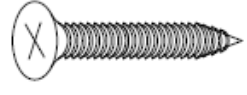
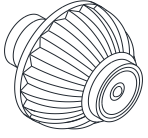
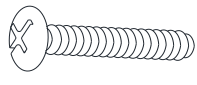
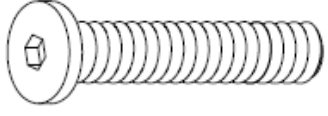
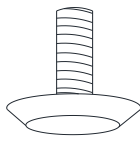

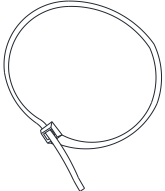
Dorel garantit que ce produit est exempt de tout défaut de matériaux et de fabrication et s'engage à remédier à un tel défaut. Cette garantie a une validité de 1 an à compter de la date originelle d'achat. Cette garantie est valide uniquement sur présentation de la preuve d'achat. Elle est strictement limitée à la réparation ou remplacement de pièces défectueuses et ne couvre pas les travaux d'assemblage. Cette garantie ne s'applique pas à un produit qui a été assemblé incorrectement, qui a fait l'objet d'un mauvais usage ou d'abus, qui a été modifié ou réparé. Cette garantie vous accorde des droits légaux spécifiques, mais vous pouvez avoir d'autres droits qui varient selon les États.



**MISE EN GARDE : Si ce produit est endommagé, et/ou il lui manque des composantes ou elles sont brisées, NE L'UTILISEZ PAS.**

# Commode 6 Tiroirs DL1010-1

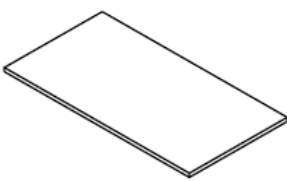
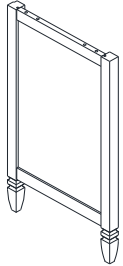
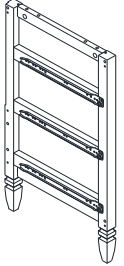
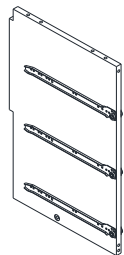
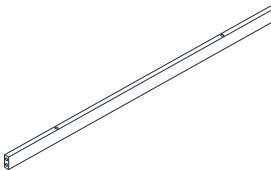
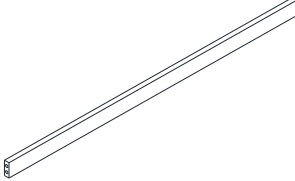
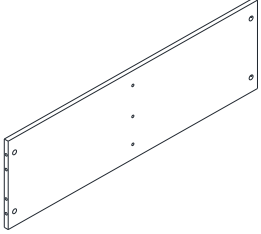
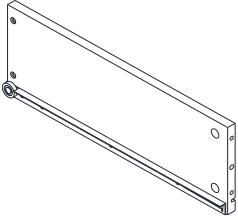
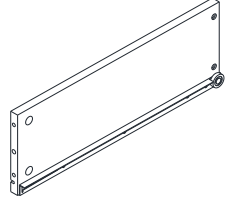
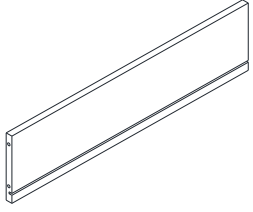
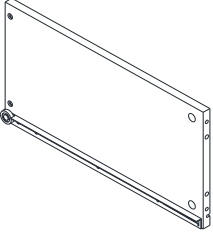
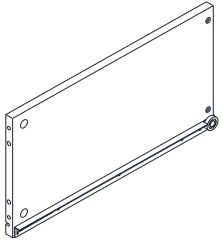
## LISTE DE QUINCAILLERIE

<p>1</p>  <p>Ø8 X 30 mm</p>	<p>2</p>  <p>Ø6 X 20 mm</p>	<p>3</p>  <p>Ø15 X 11 mm</p>
<p>GRAND GOUJON DE BOIS 23 PCES</p>	<p>PETIT GOUJON DE BOIS 20 PCES</p>	<p>GRAND VERROUILLAGE À CAME 18 PCES</p>
<p>4</p>  <p>Ø7 X 36 mm</p>	<p>5</p>  <p>Ø13 X 10 mm</p>	<p>6</p>  <p>Ø7 X 28 mm</p>
<p>GRAND BOULON À CAME 18 PCES</p>	<p>PETIT VERROUILLAGE À CAME 24 PCES</p>	<p>PETIT BOULON À CAME 24 PCES</p>
<p>7</p>  <p>Ø3 X 15 mm</p>	<p>8</p>  <p>Ø4 X 25 mm</p>	<p>9</p> 
<p>VIS À TÊTE BOMBÉE 14 PCES</p>	<p>VIS À TÊTE PLATE 28 PCES</p>	<p>BOUTON 6 PCES</p>
<p>10</p>  <p>Ø5/32" X 7/8"</p>	<p>11</p>  <p>Ø1/4" X 35 mm</p>	<p>12</p>  <p>Ø1/4"</p>
<p>PETIT BOULON 6 PCES</p>	<p>GRAND BOULON 1 PCE</p>	<p>NIVELEUR AJUSTABLE 3 PCES</p>
<p>13</p> 	<p>14</p> 	
<p>CLÉ ALLEN 1 PCE</p>	<p>COURROIE DE SÉCURITÉ 1 KIT</p>	

# Commode 6 Tiroirs

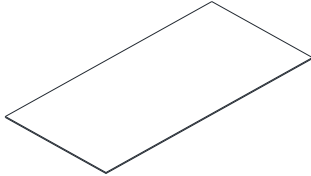
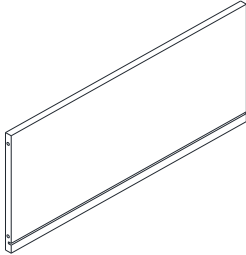
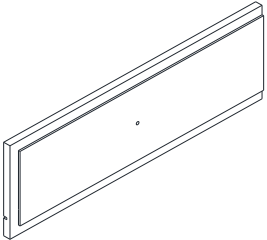
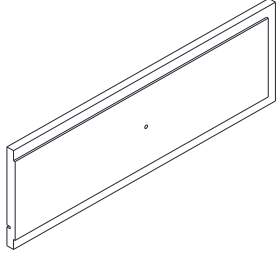
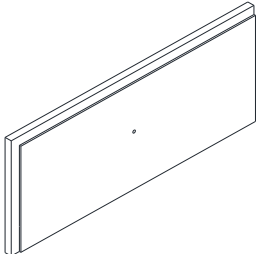
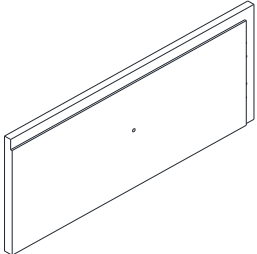
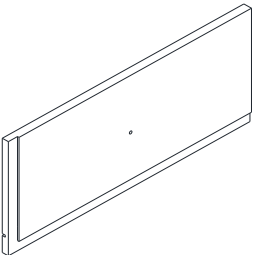
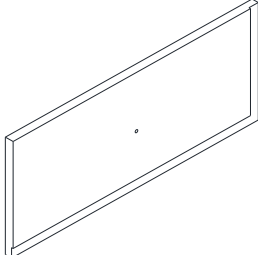
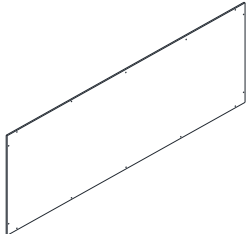

## DL1010-1

### LISTE DE PIÈCES

<p><b>A</b></p> 	<p><b>B</b></p> 	<p><b>C</b></p> 
<p>PANNEAU DU DESSUS 1 PCE</p>	<p>CADRE LATÉRAL GAUCHE 1 PCE</p>	<p>CADRE LATÉRAL DROIT 1 PCE</p>
<p><b>D</b></p> 	<p><b>E</b></p> 	<p><b>F</b></p> 
<p>PANNEAU CENTRAL 1 PCE</p>	<p>SUPPORT SUPÉRIEUR 2 PCES</p>	<p>SUPPORT INFÉRIEUR AVANT 1 PCE</p>
<p><b>G</b></p> 	<p><b>H</b></p> 	<p><b>I</b></p> 
<p>PANNEAU INFÉRIEUR ARRIÈRE 1 PCE</p>	<p>CÔTÉ GAUCHE PETIT TIROIR 2 PCES</p>	<p>CÔTÉ DROIT PETIT TIROIR 2 PCES</p>
<p><b>J</b></p> 	<p><b>K</b></p> 	<p><b>L</b></p> 
<p>CÔTÉ ARRIÈRE PETIT TIROIR 2 PCES</p>	<p>CÔTÉ GAUCHE GRAND TIROIR 4 PCES</p>	<p>CÔTÉ DROIT GRAND TIROIR 4 PCES</p>

# Commode 6 Tiroirs DL1010-1

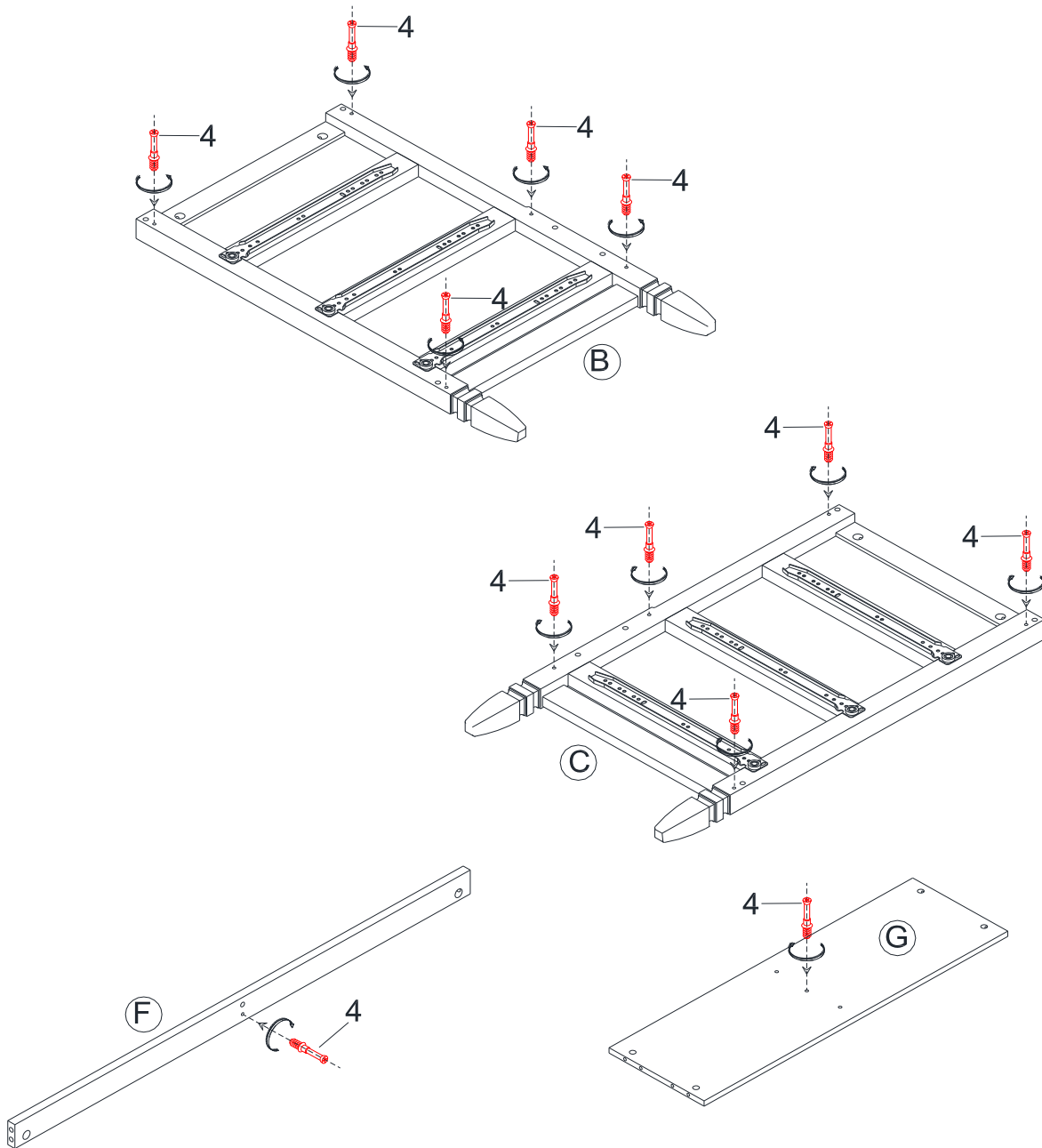
## LISTE DE PIÈCES

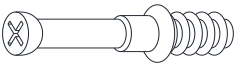
<p><b>M</b></p> 	<p><b>N</b></p> 	<p><b>O</b></p> 
<p>FOND DE TIROIR 6 PCES</p>	<p>CÔTÉ ARRIÈRE GRAND TIROIR 4 PCES</p>	<p>DEVANT TIROIR SUPÉRIEUR GAUCHE 1 PCE</p>
<p><b>P</b></p> 	<p><b>Q</b></p> 	<p><b>R</b></p> 
<p>DEVANT TIROIR SUPÉRIEUR DROIT 1 PCE</p>	<p>DEVANT TIROIR CENTRAL GAUCHE 1 PCE</p>	<p>DEVANT TIROIR CENTRAL DROIT 1 PCE</p>
<p><b>S</b></p> 	<p><b>T</b></p> 	<p><b>U</b></p> 
<p>DEVANT TIROIR INFÉRIEUR GAUCHE 1 PCE</p>	<p>DEVANT TIROIR INFÉRIEUR DROIT 1 PCE</p>	<p>PANNEAU ARRIÈRE 1 PCE</p>
<p><b>V</b></p>  <p>PANNEAU DE SUPPORT 1 PCE</p>		

# Commode 6 Tiroirs DL1010-1

## ÉTAPE 1

Insérez des grands boulons à came (4) dans le support inférieur avant (F), le panneau inférieur arrière (G), le cadre latéral gauche (B) et le cadre latéral droit (C) comme illustré.



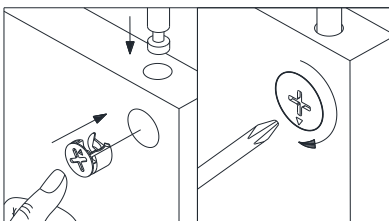
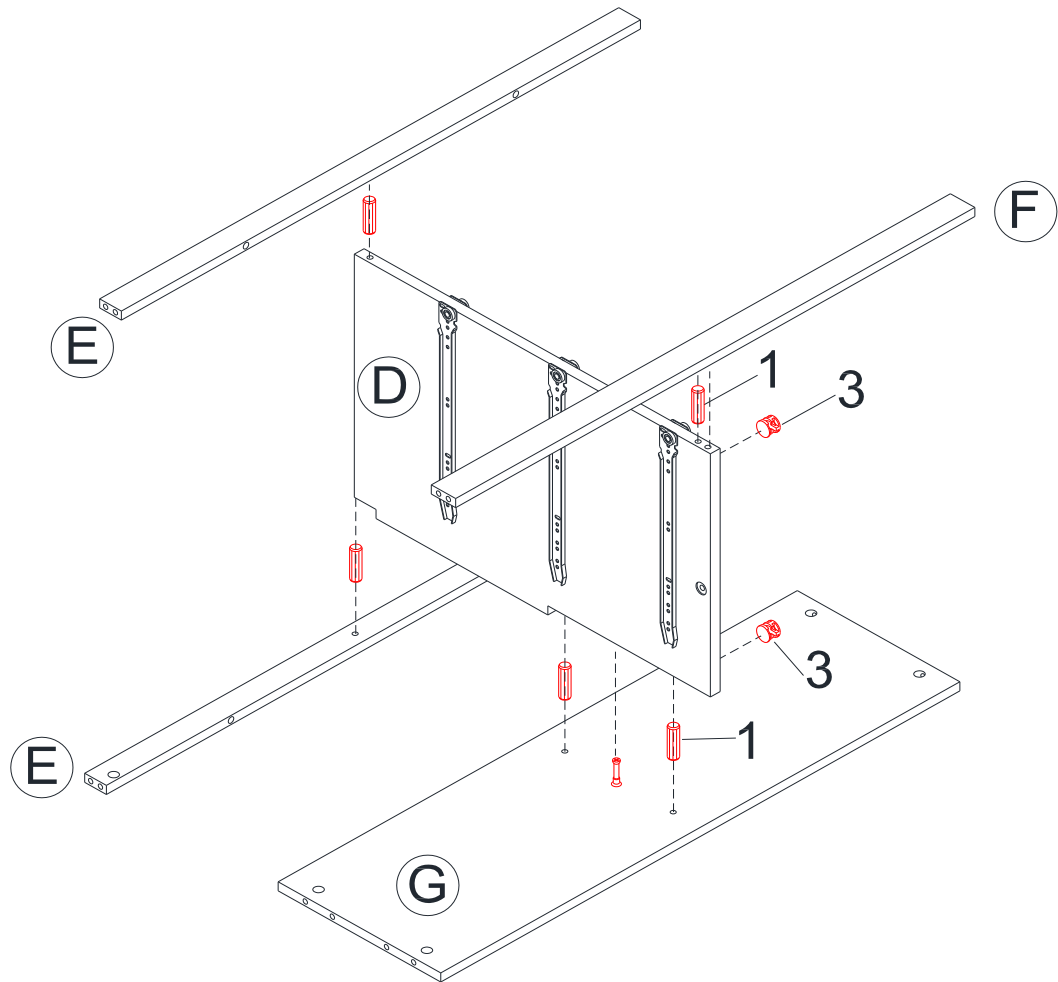
4		12 PCS
---	--	--------

# Commode 6 Tiroirs DL1010-1

## ÉTAPE 2

Insérez des grands verrouillages à came (3) dans le panneau central (D) comme illustré. Attachez les supports (E et F) et le panneau inférieur arrière (G) au panneau central (D) avec des grands goujons de bois (1) comme illustré ci-dessous.

Fixez le support (F) et le panneau inférieur (G) au panneau central (D) en tournant les grands verrouillages à came (3) sur le panneau central (D) 1/2 tour dans le sens des aiguilles d'une montre à l'aide d'un tournevis cruciforme (non compris).



1		5 PCS
3		2PCS

# Commode 6 Tiroirs DL1010-1

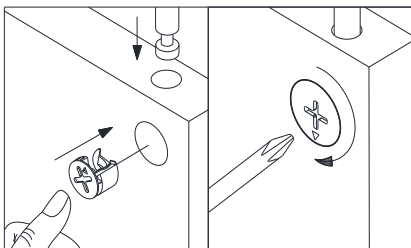
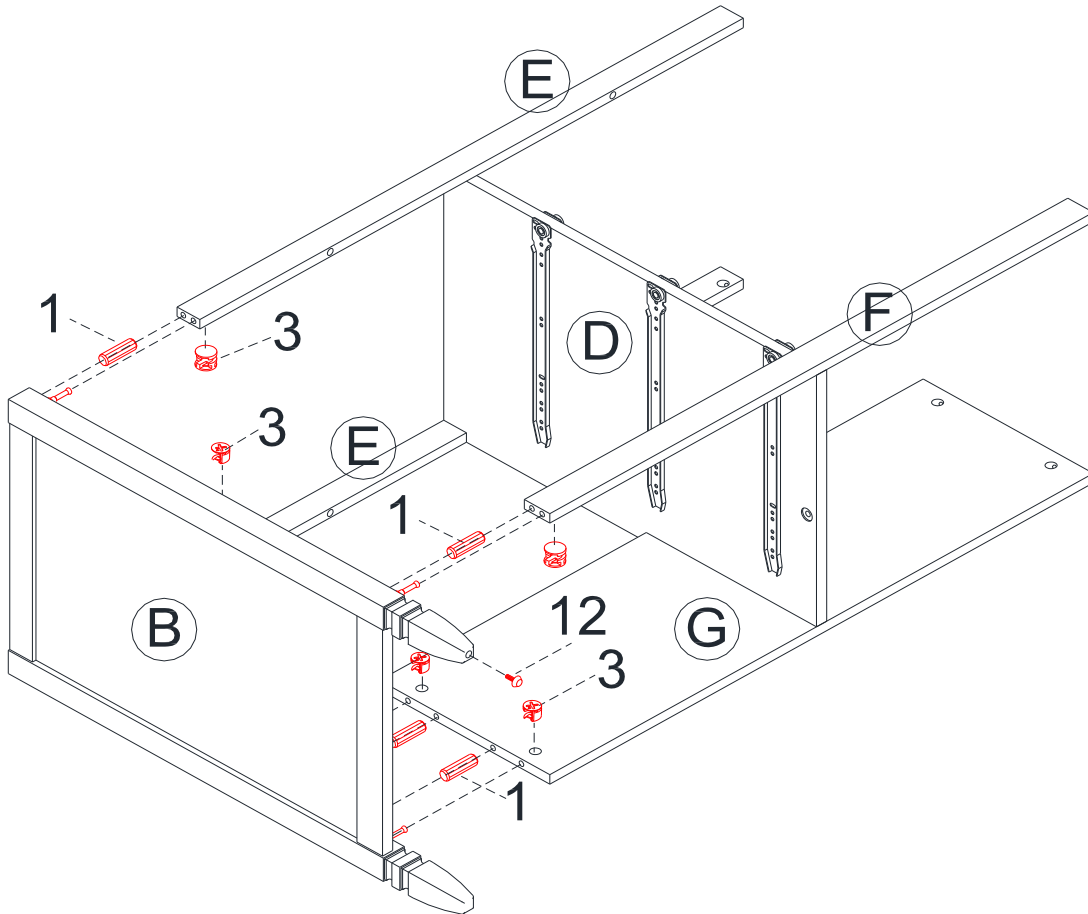
## ÉTAPE 3

Insérez des grands goujons de bois (1) dans le panneau latéral gauche (B).

Insérez des grands verrouillages à came (3) dans le support supérieur (E), le support inférieur (F) et le panneau inférieur arrière (G).

Fixez le cadre latéral gauche (B) à l'unité déjà assemblée en tournant les grands verrouillages (3) placés sur le support supérieur (E), le support inférieur avant (F) et le panneau inférieur arrière (G) 1/2 tour dans le sens des aiguilles d'une montre à l'aide d'un tournevis cruciforme (non compris).

Installez le niveleur ajustable (12) dans le cadre latéral gauche (B) comme illustré.



1		5 PCS
3		5 PCS
12		1 PC

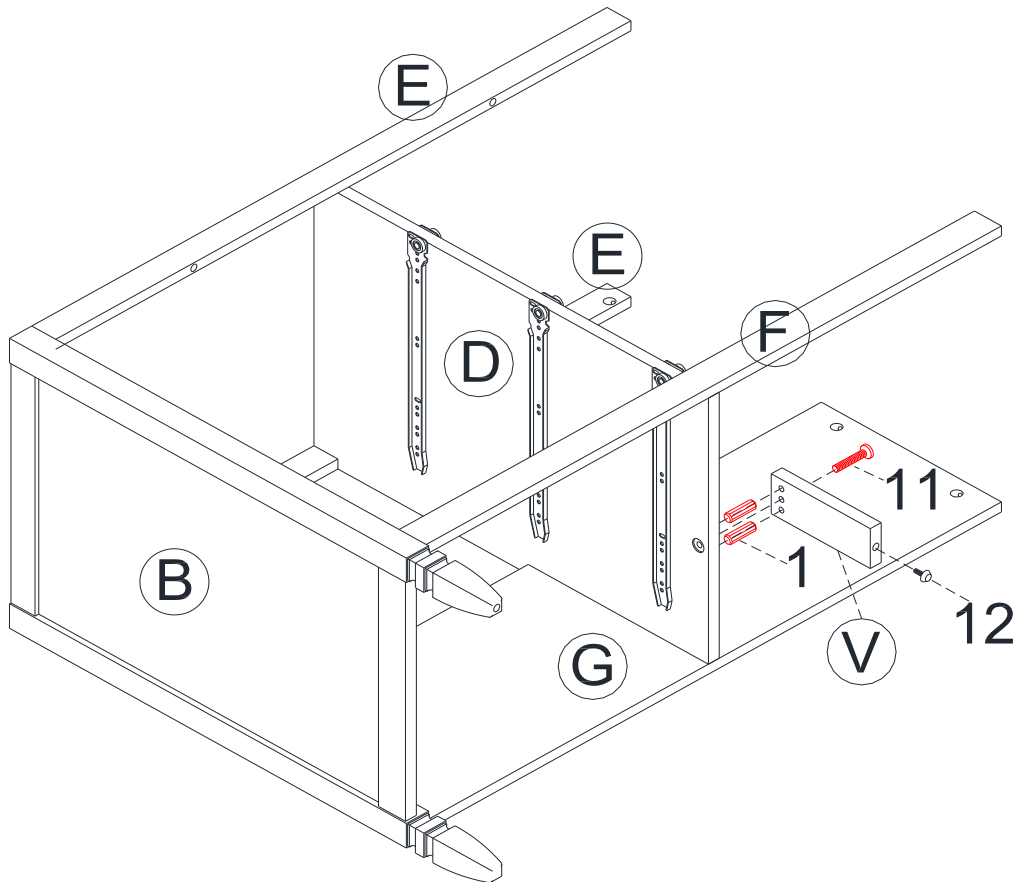
# Commode 6 Tiroirs DL1010-1



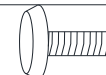

## ÉTAPE 4

Insérez des grands goujons de bois (1) dans le panneau de support (V). Attachez le panneau de support (V) à l'unité déjà assemblée comme illustré.

Fixez le panneau de support (V) au panneau central (D) avec un grand boulon (11) comme illustré. Serrez le boulon à l'aide de la clé Allen (13).

Installez le niveleur ajustable (12) dans le panneau de support (V) comme illustré.



1		2 PCS
11		1PC
12		1PC
13		1PC

# Commode 6 Tiroirs DL1010-1

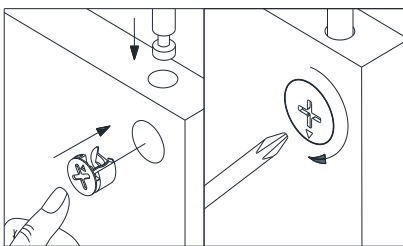
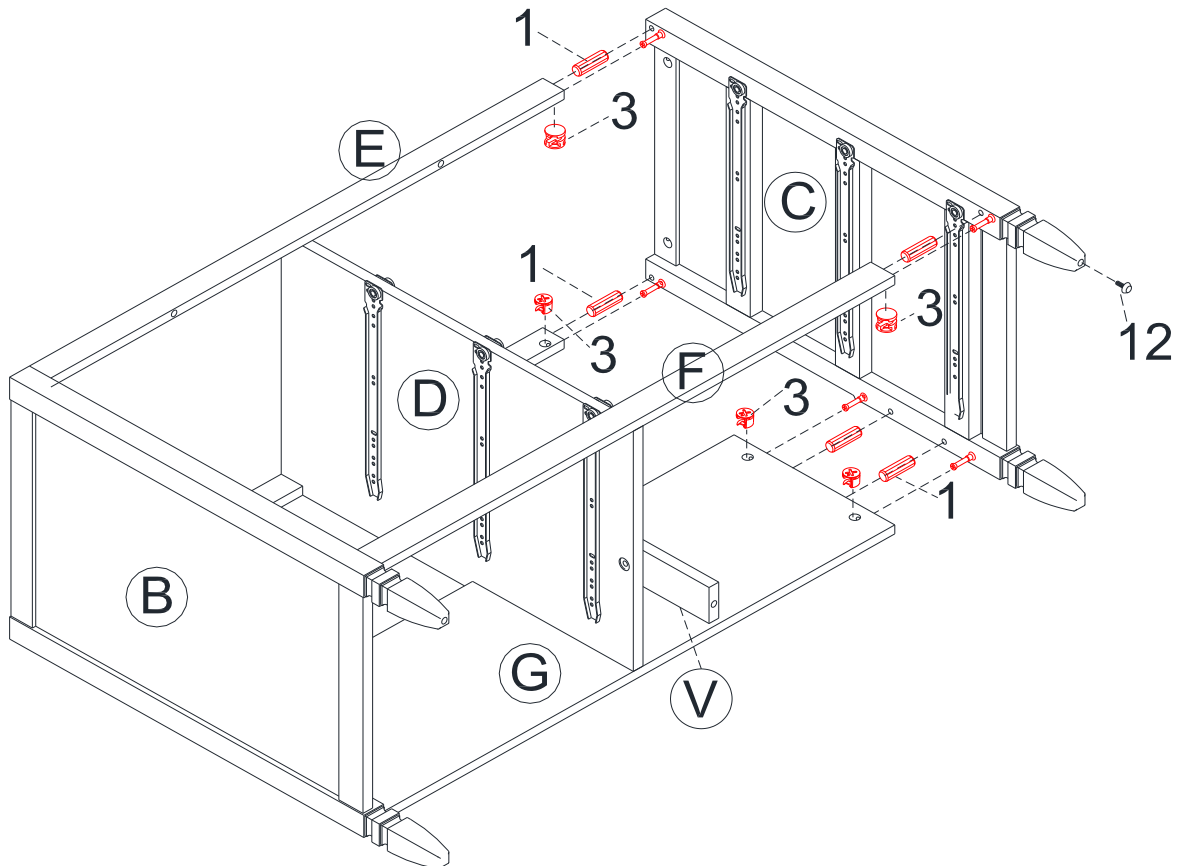
## ÉTAPE 5


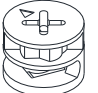
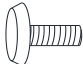
Insérez des grands goujons de bois (1) dans le cadre latéral droit (C).

Insérez des grands verrouillages à came (3) dans les supports (E et F) et dans le panneau inférieur arrière (G).

Fixez le cadre latéral droit (C) à l'unité déjà assemblée en tournant les verrouillages à came (3) placés sur le support supérieur (E), le panneau inférieur avant (F) et le panneau inférieur arrière (G) 1/2 tour dans le sens des aiguilles d'une montre à l'aide d'un tournevis cruciforme (non compris).

Installez le niveleur ajustable (12) dans le cadre latéral droit (C) comme illustré.

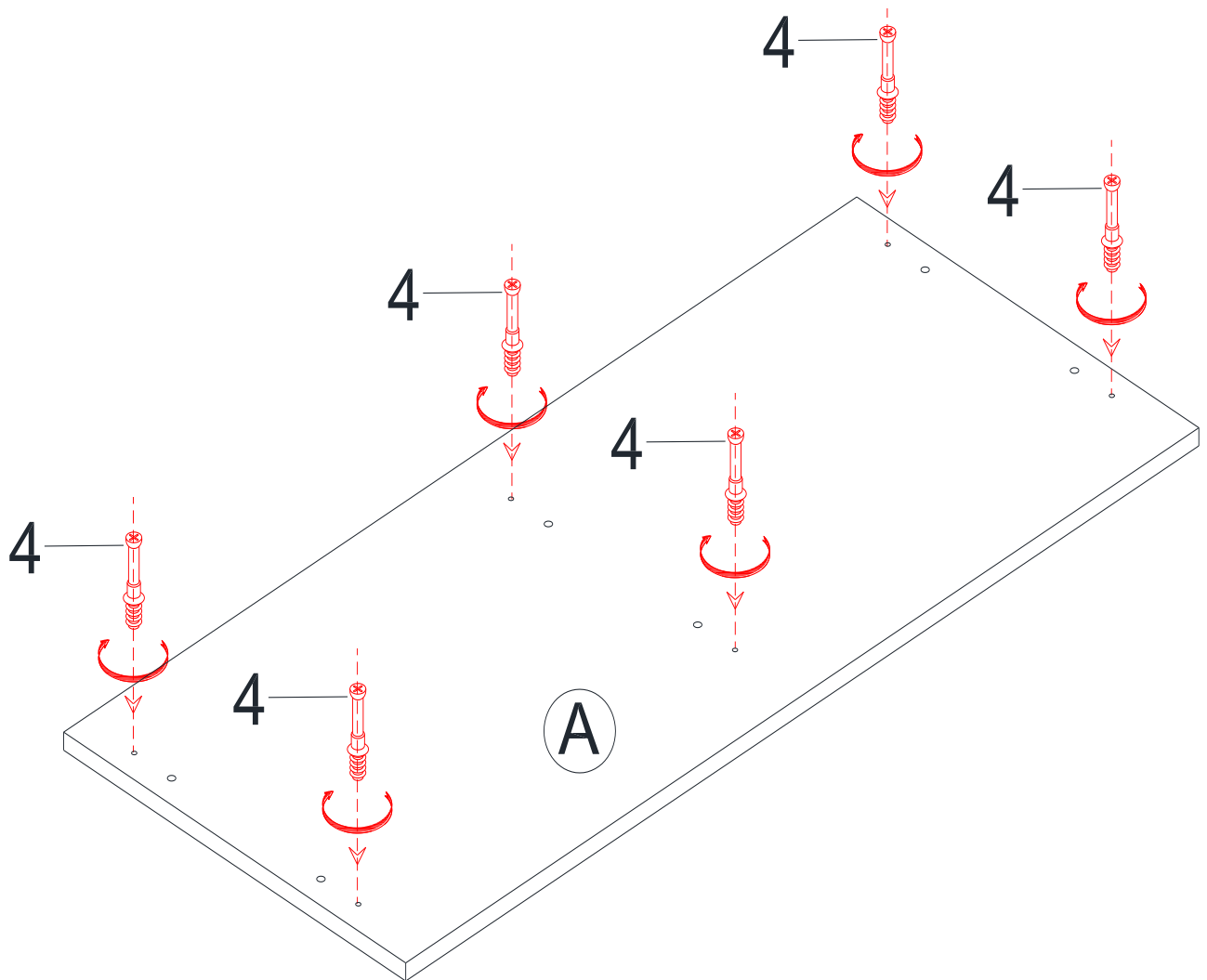


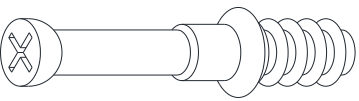
1		5 PCS
3		5 PCS
12		1 PC

# Commode 6 Tiroirs DL1010-1

## ÉTAPE 6

Insérez des grands boulons à came (4) dans le panneau du dessus (A).



4		6 PCS
---	--	-------

# Commode 6 Tiroirs DL1010-1

## ÉTAPE 7

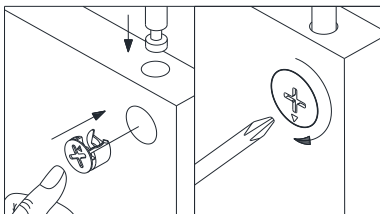
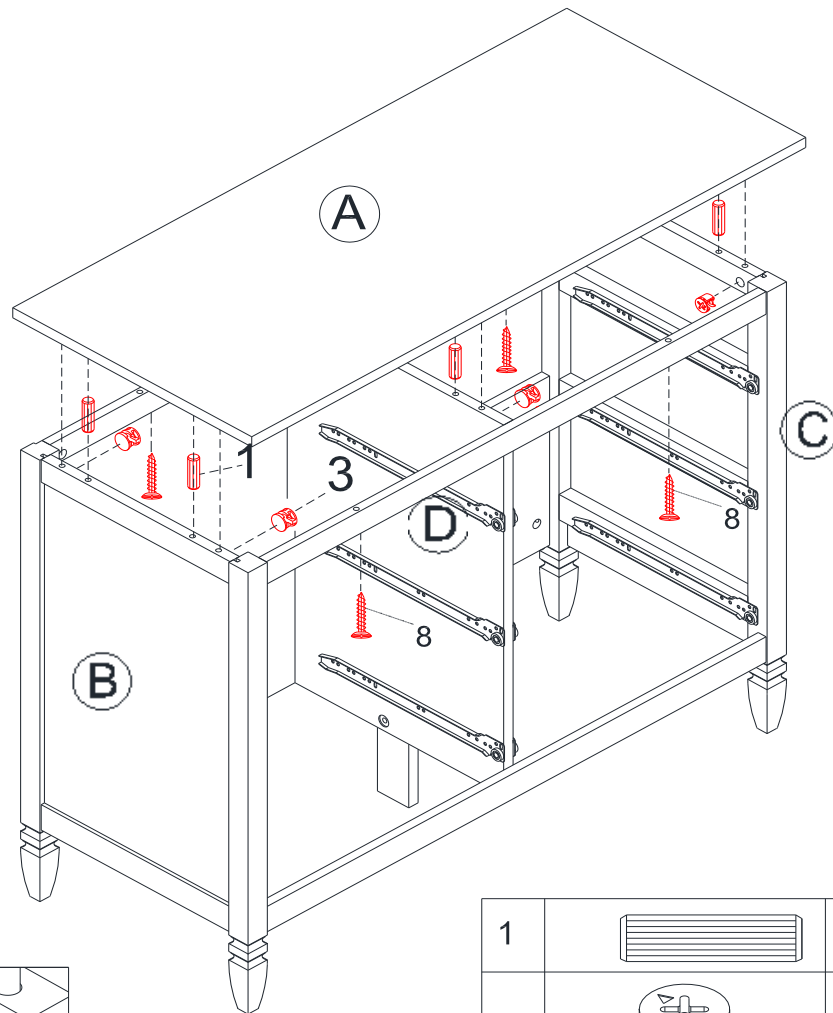
Insérez des grands goujons de bois (1) dans le cadre latéral gauche (B), le panneau central (D) et le panneau latéral droit (C) comme illustré ci-dessous.

Insérez des grands verrouillages à came (3) dans les panneaux latéraux (B et C) et dans le panneau central (D).

Placez le panneau du dessus (A) sur l'unité déjà assemblée.

Tournez les grands verrouillages à came (3) installés dans les panneaux latéraux (B et C) et dans le panneau central (D) 1/2 tour dans le sens des aiguilles d'une montre pour fixer le panneau du dessus (A).

Fixez davantage le panneau du dessus (A) avec des vis à tête plate (8) en passant au travers du support (E) et du panneau central (D). Serrez les vis à l'aide d'un tournevis cruciforme (non compris).

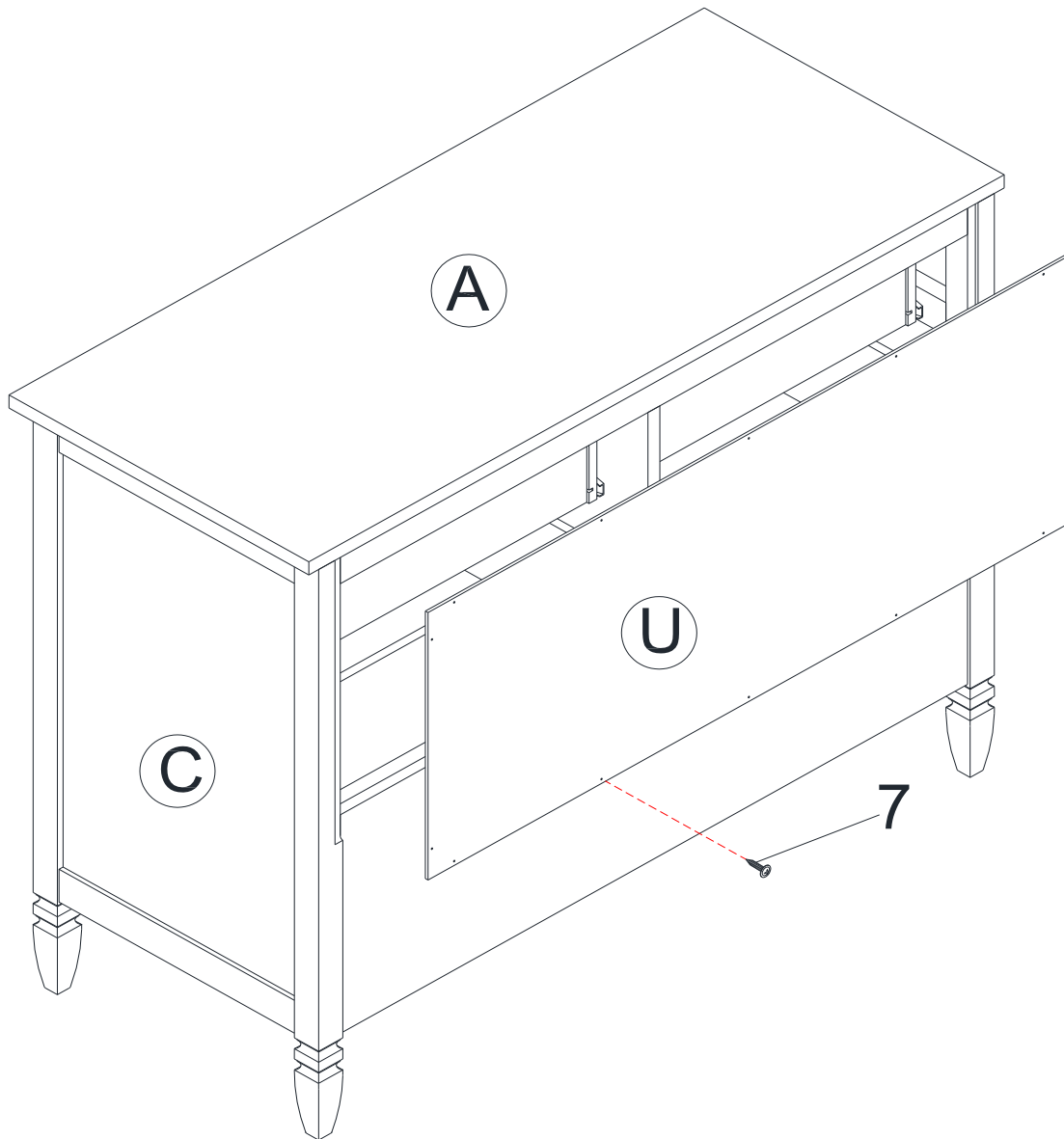


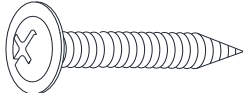
1		6 PCS
3		6PCS
8		4 PCS

# Commode 6 Tiroirs DL1010-1

## ÉTAPE 8

Attachez le panneau arrière (U) au cadre déjà assemblé avec des vis à tête bombée (7). Serrez les vis à l'aide d'un tournevis cruciforme (non compris).



7		14 PCS
---	--	--------

# Commode 6 Tiroirs DL1010-1

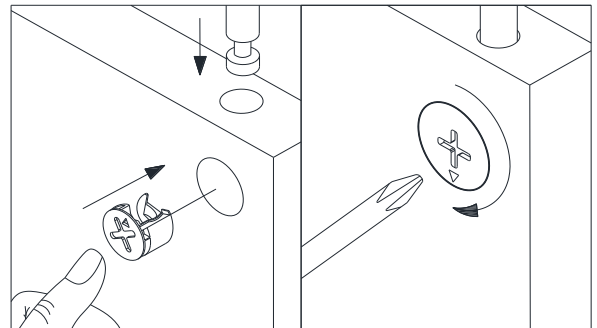
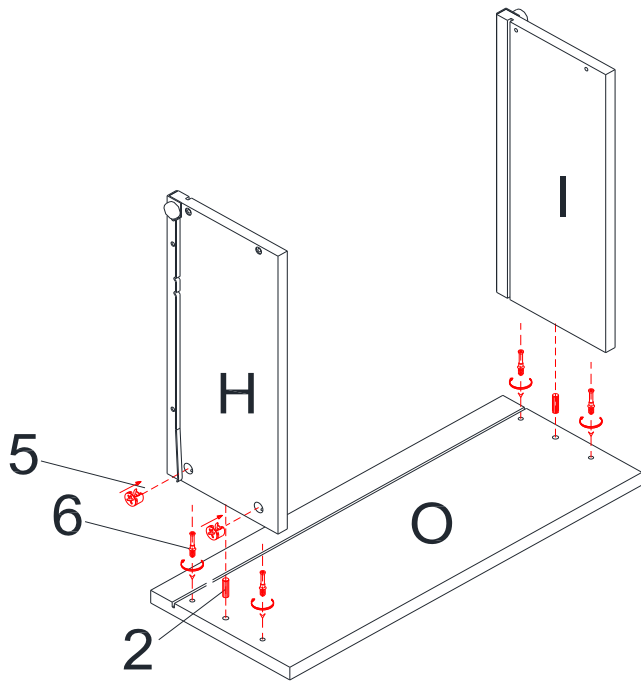
## ÉTAPE 9


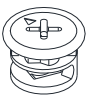

Insérez des petits boulons à came (6) et des petits goujons de bois (2) dans le devant du tiroir supérieur gauche (O).

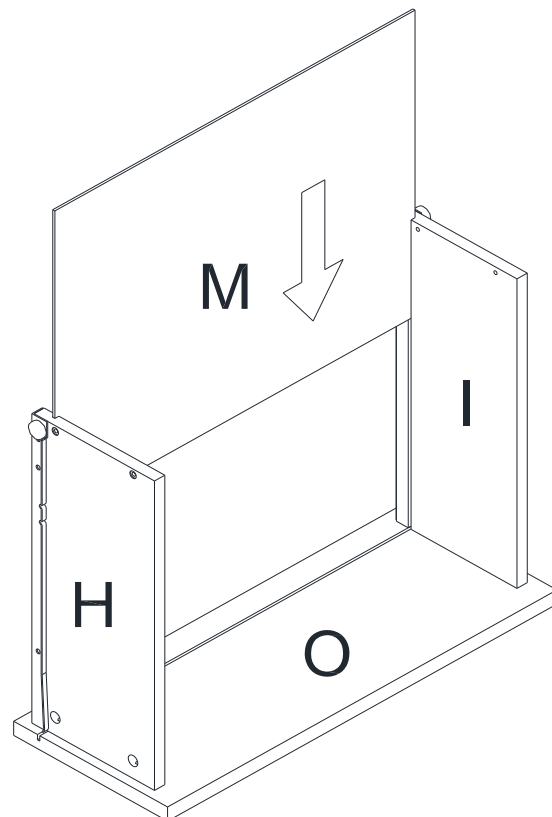
Insérez des petits verrouillages à came (5) dans le côté gauche du petit tiroir (H) et dans le côté droit du petit tiroir (I).

Attachez les côtés du tiroir (H et I) au devant du tiroir supérieur gauche (O). Fixez les côtés du tiroir (H et I) en tournant les petits verrouillages à came (5) 1/2 tour dans le sens des aiguilles d'une montre à l'aide d'un tournevis cruciforme (non compris).

Glissez le fond du tiroir (M) dans les rainures des côtés du tiroir (H et I) et du devant du tiroir supérieur gauche (O).



2		4 PCS
5		8 PCS
6		8 PCS



# Commode 6 Tiroirs DL1010-1

## ÉTAPE 10

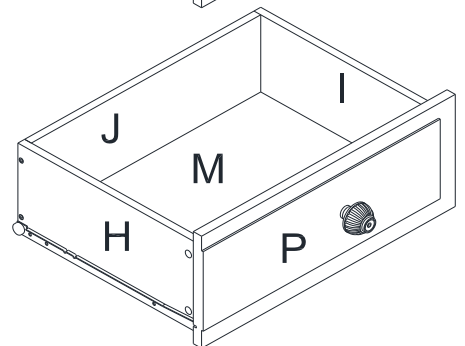
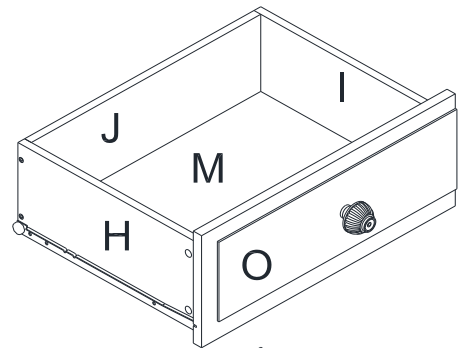
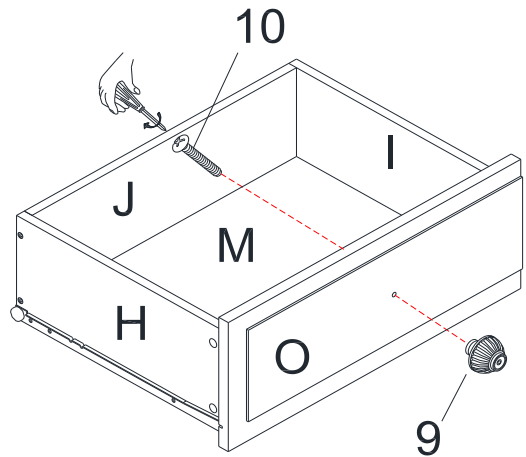
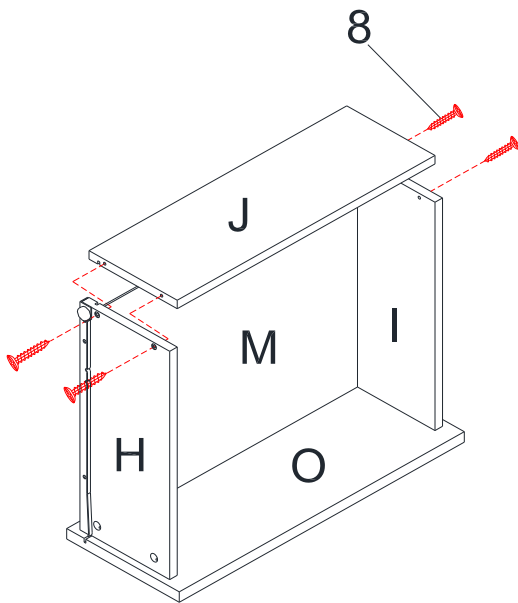
Attachez le côté arrière du petit tiroir (J) aux côtés du tiroir (H et I) avec des vis à tête plate (8).

Serrez les vis à l'aide d'un tournevis cruciforme (non compris).

Attachez un bouton (9) dans le devant du tiroir supérieur gauche (O) avec un boulon (10).

Serrez le boulon à l'aide d'un tournevis cruciforme (non compris).

Répétez les étapes 9 et 10 pour assembler le tiroir supérieur droit en utilisant la devant tiroir supérieur droit (P).



8		8 PCS
9		2 PCS
10		2 PCS

# Commode 6 Tiroirs DL1010-1

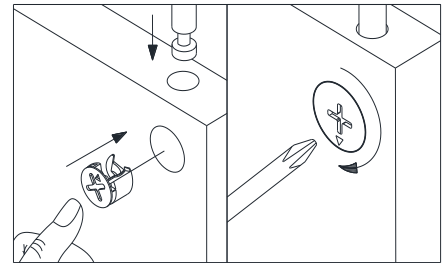
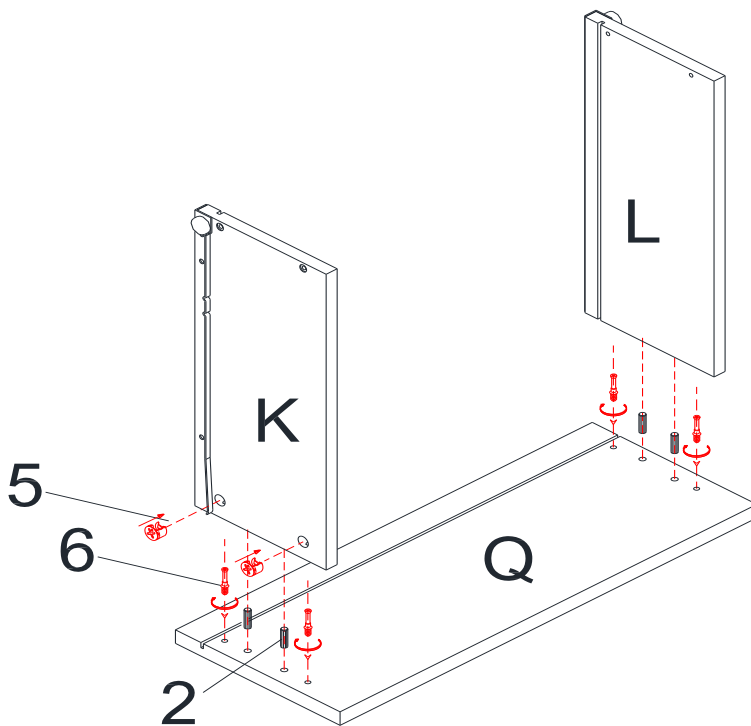
## ÉTAPE 11


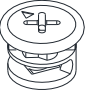

Insérez des petits boulons à came (6) et des petits goujons de bois (2) dans le devant du tiroir central gauche (Q).

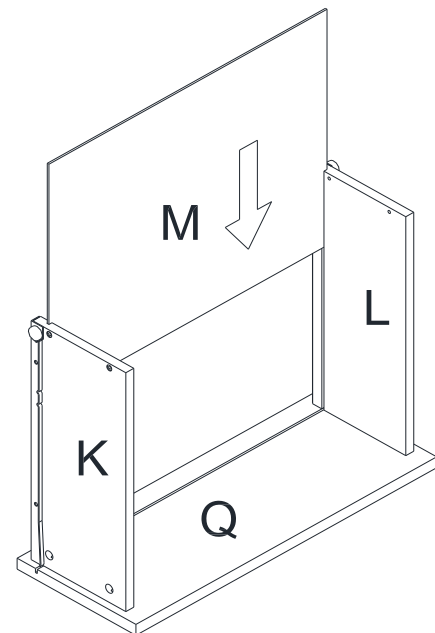
Insérez des petits verrouillages à came (5) dans le côté gauche du grand tiroir (K) et dans le côté droit du grand tiroir (L).

Attachez les côtés du grand tiroir (K et L) au devant du tiroir central gauche (Q). Fixez les côtés du tiroir en tournant les petits verrouillages à came (5) 1/2 tour dans le sens des aiguilles d'une montre à l'aide d'un tournevis cruciforme (non compris).

Glissez le fond du tiroir (M) dans les rainures des côtés du grand tiroir (K et L) et du devant du tiroir central gauche (Q).



2		16 PCS
5		16 PCS
6		16 PCS



# Commode 6 Tiroirs DL1010-1

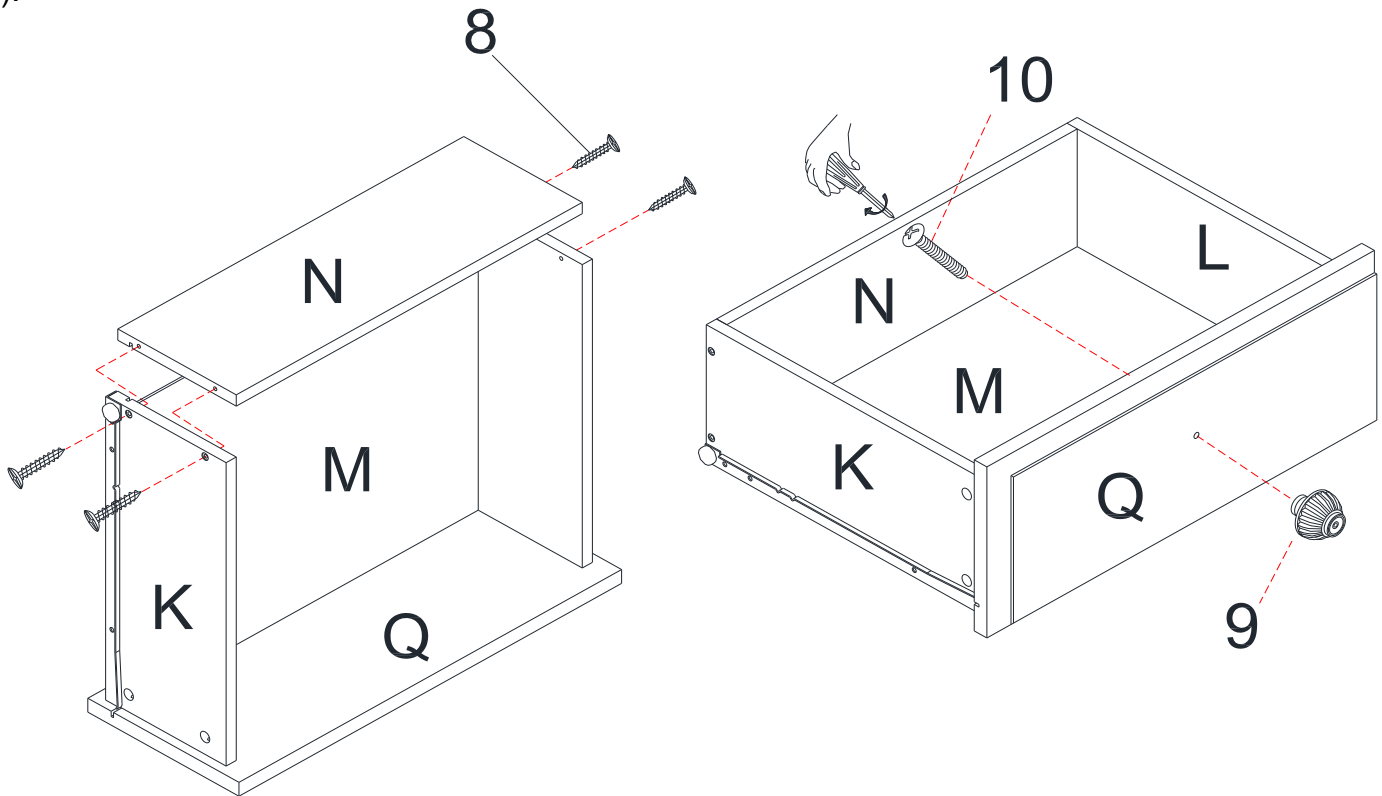
## ÉTAPE 12




Attachez le côté arrière du grand tiroir (N) aux côtés du tiroir (K et L) avec des vis à tête plate (8). Serrez les vis à l'aide d'un tournevis cruciforme (non compris).

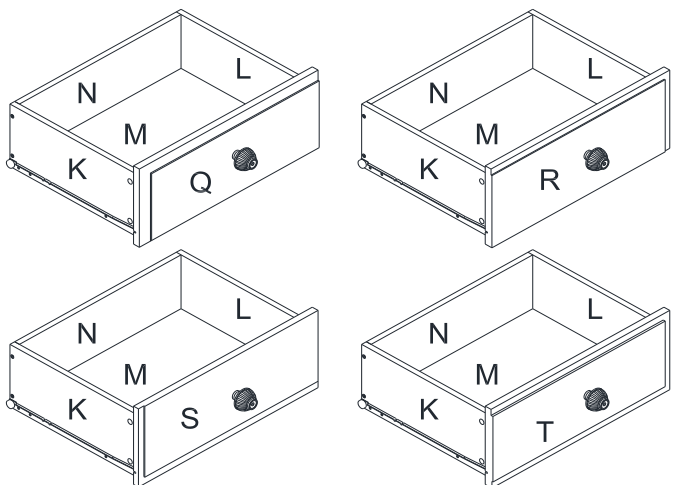
Fixez un bouton (9) au devant du tiroir central gauche (Q) avec un boulon (10).

Serrez le boulon à l'aide d'un tournevis cruciforme (non compris).

Répétez les étapes 11 et 12 pour assembler les autres tiroirs en utilisant les devant tiroirs (R, S et T).



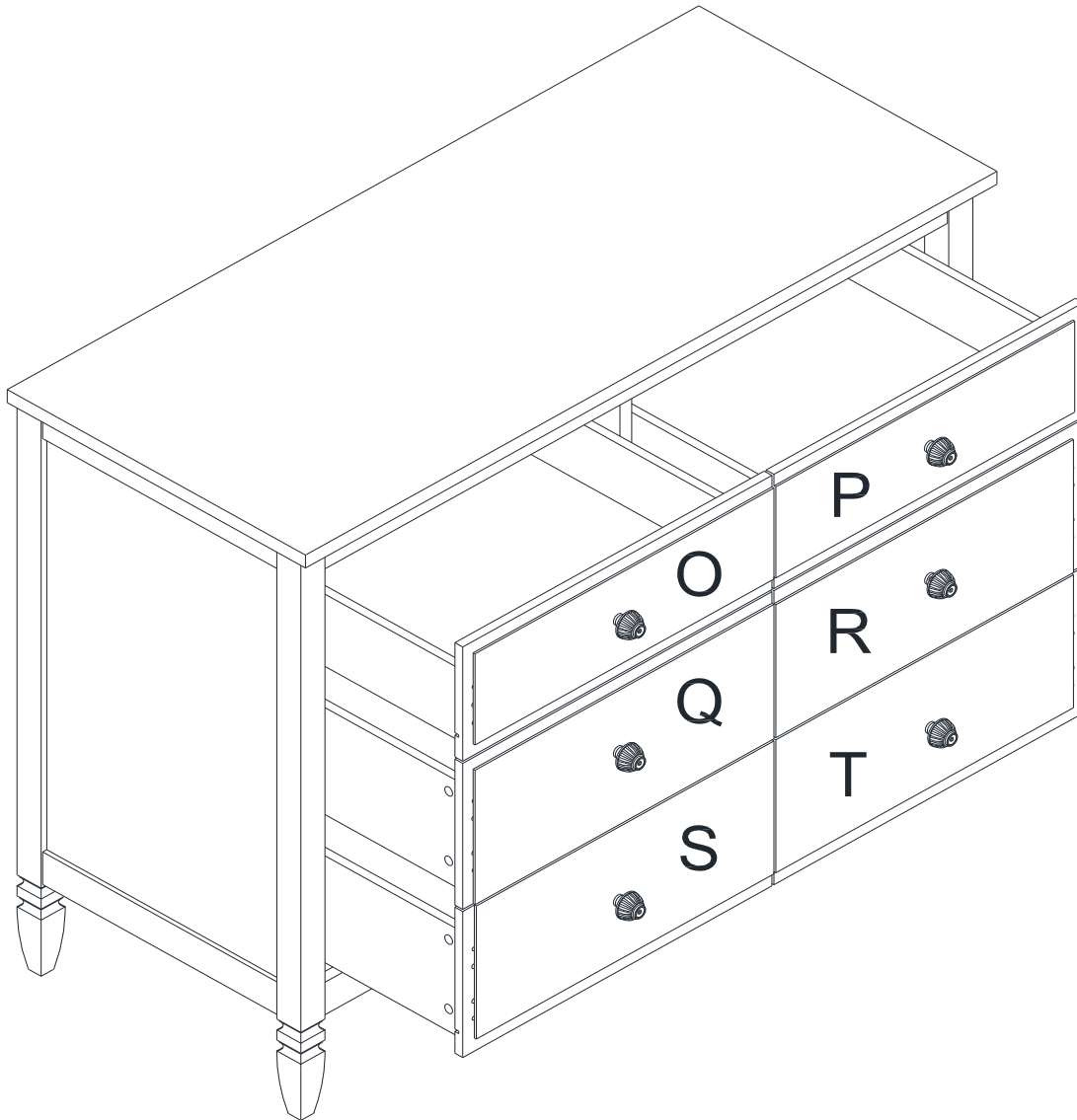
8		16 PCS
9		4 PCS
10		4 PCS



# Commode 6 Tiroirs DL1010-1


## ÉTAPE 13

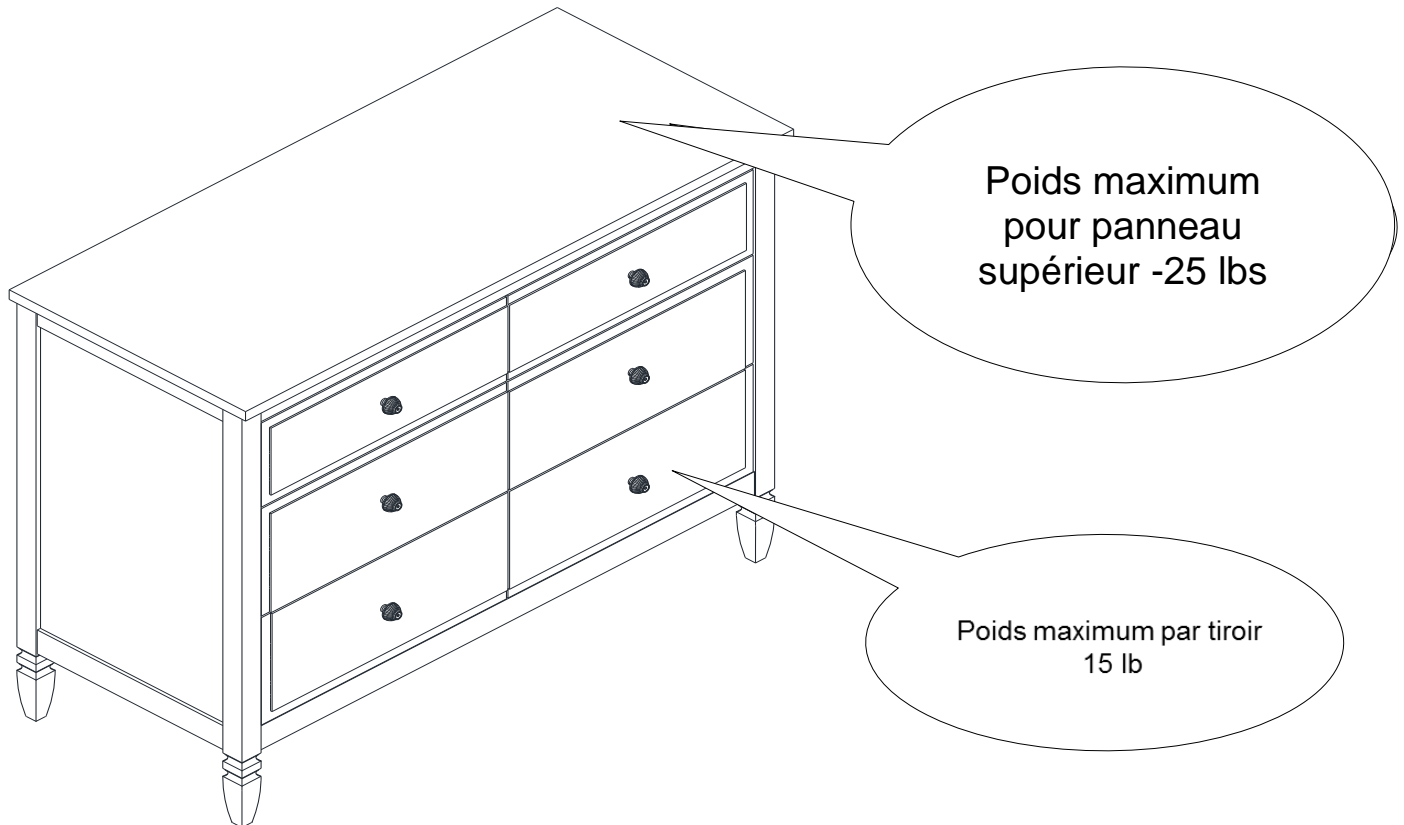
Insérez tous les tiroirs dans l'unité déjà assemblée comme illustré.



# Commode 6 Tiroirs

## DL1010-1

 **ATTENTION:** Cette unité est conçue pour être utilisée seulement avec les produits et/ou les poids maximum indiqués. L'utilisation avec d'autres produits et/ou des produits plus lourds que les poids maximum indiqués peut entraîner de l'instabilité et causer des blessures.



Voilà! Vous avez terminé d'assembler votre commode 6 tiroirs.

**NE PAS RETOURNER LE PRODUIT AU MAGASIN.**

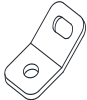



Si une pièce est manquante ou endommagée, contactez notre Service à la clientèle. Nous remplacerons la pièce **GRATUITEMENT.**



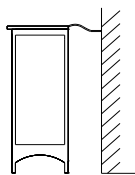
Tél #: 1-800-295-1980  
Courriel: [das@dorel.com](mailto:das@dorel.com)  
Télécopieur #: 514-353-7819

# Sangle de sécurité pour ancrer le meuble au mur

## Liste de quincaillerie

A		B		C		D	
CROCHET DE MÉTAL 4 PCES		SANGLE DE SÉCURITÉ POUR LE MUR 2 PCES		VIS LONGUE 2 PCES		VIS COURTE 2 PCES	

OUTILS NÉCESSAIRES: LE MAILLET EN CAOUTCHOUC ET LE TOURNEVIS PHILLIPS NE SONT PAS NOTE: LA MÈCHE DE 5/16" ET LA PERCEUSE ÉLECTRIQUE NE SONT PAS FOURNIES.



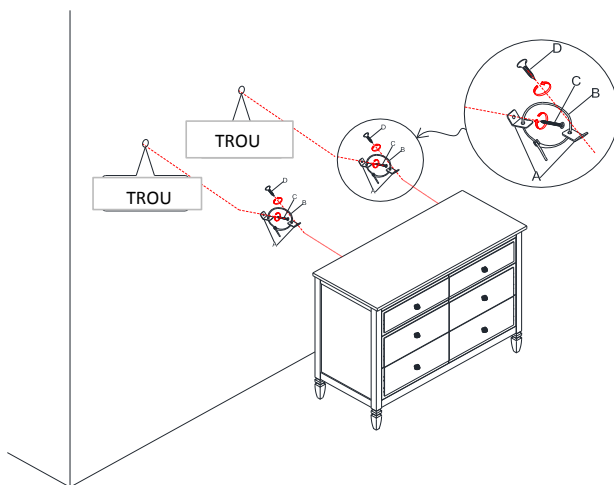
**⚠ AVERTISSEMENT: LORSQUE DEBOUT, IL EST POSSIBLE QUE LE MEUBLE PUISSE BASCULER. VEUILLEZ INSTALLER LA SANGLE DE SÉCURITÉ POUR LE MUR DERRIÈRE LE MEUBLE POUR EN ASSURER DE LA SÉCURITÉ.**

VEUILLEZ LIRE TOUTES LES INSTRUCTIONS AVEC ATTENTION AVANT D'UTILISER CE PRODUIT ET VEUILLEZ LES GARDER POUR RÉFÉRENCE FUTURE. SI VOUS AVEZ DES QUESTIONS, VEUILLEZ APPELER NOTRE NUMÉRO DE SERVICE AUX CLIENTS : 1-800-295-1980.

ÉTAPE 1: À L'AIDE DE LA VIS COURTE (D), FIXEZ FERMEMENT UN CROCHET DE MÉTAL (A) À LA BARRE TRANSVERSALE SUPÉRIEURE POSTÉRIEURE DU MEUBLE, À TRAVERS LE TROU LE PLUS PETIT.

ÉTAPE 2: À L'AIDE D'UN ANCRAGE, PLACEZ L'AUTRE CROCHET DE MÉTAL (A) SUR LE MUR 2 POUCE EN-DESSOUS DU CROCHET DÉJÀ FIXÉ À LA PARTIE POSTÉRIEURE DU MEUBLE. FIXEZ À L'ENCRAGE DU MUR À L'AIDE DE LA VIS LONGUE (C), À TRAVERS LE TROU LE PLUS PETIT.

ÉTAPE 3: PLACEZ LE MEUBLE DANS SA POSITION DE FAÇON À VOUS ASSURER QUE LES DEUX CROCHETS SOIENT ALIGNÉS VERTICALEMENT. LACEZ LE BOUT DE LA SANGLE DE SÉCURITÉ (B) À TRAVERS DU TROU LE PLUS GRAND DE CHAQUE CROCHET (A). RAMENEZ LES DEUX BOUTS ENSEMBLE ET GLISSEZ LE BOUT PLAT À TRAVERS L'EXTRÉMITÉ DE FIXATION JUSQU'À CE QU'ELLE SOIT BIEN SERRÉE.



ÉTAPE 4: ASSUREZ-VOUS QUE LA SANGLE SOIT BIEN LACÉE ET SERRÉE.

POUR DÉPLACER LE MEUBLE APRÈS AVOIR INSTALLÉ LA SANGLE AU MUR, SIMPLEMENT RETIREZ LA VIS (A) DU MUR POUR DESSERRER LE SANGLE DE SÛRETÉ.

MODÈLE #: DL1010-1

## Service à la Clientèle

**S.V.P. NE PAS RETOURNER CE PRODUIT AU MAGASIN**

S.V.P. CONTACTEZ NOS REPRÉSENTANTS DU SERVICE À LA CLIENTÈLE AUX NUMÉROS SUIVANTS SI VOUS AVEZ DES PIÈCES MANQUANTES OU DÉFECTUEUSES.

No. de téléphone du Service à la clientèle: 1-800-295-1980 Courriel: [das@dorel.com](mailto:das@dorel.com)  
No. du télécopieur du Service à la clientèle: 514-353-7819

Date de la demande :

Nom :

Adresse de livraison :   
Numéro & Rue :  
Ville & Province :  
Code Postal :

No. de téléphone (jour) :   
(incluant le code régional)

Date & Nom du Magasin :

Description & quantité de pièce(s): S.V.P. ne pas oublier le numéro de modèle ou de SKU)

Adresse postale du Service à la clientèle :

Département du Service à la clientèle No. 413, 12345, boul. Albert-Hudon, Suite 100, Montréal, QC, H1G 3L1