

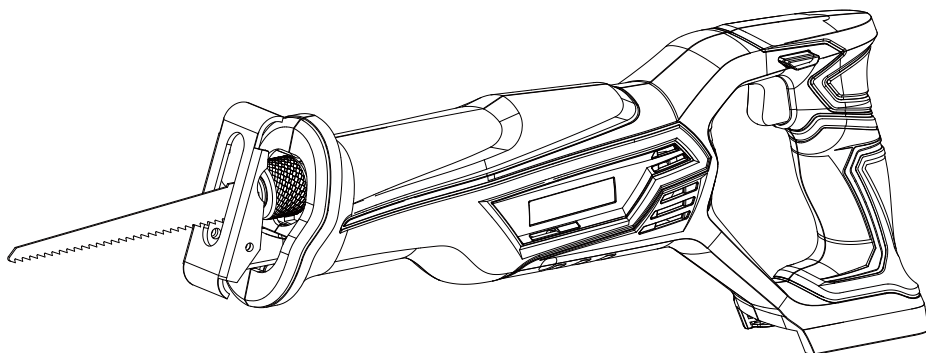
OPERATOR'S MANUAL MANUAL DEL USUARIO



20V MAX* LITHIUM-ION
CORDLESS RECIPROCATING SAW
20V MÁX* DE IONES DE LITIO
SIERRA RECÍPROCA INALÁMBRICA

Model No. 125.46756

Número de modelo. 125.46756



BATTERIES AND CHARGERS SOLD SEPARATELY
LAS BATERÍAS Y LOS CARGADORES SE VENDEN POR SEPARADO

⚠ WARNING: To reduce the risk of injury, the user must read and understand the Operator's Manual before using this product.

⚠ ADVERTENCIA: Para reducir el riesgo de lesiones, el usuario debe leer y comprender el manual antes de utilizar este producto.

Sears Brands Management Corporation, Hoffman Estates, IL 60179 USA
Save this manual for future reference.
Conserve este manual para futura referencia.

* Maximum initial battery voltage (measured without workload) is 20 volts.
Nominal working voltage is 18 volts.

* La tensión inicial máxima de la batería (medida sin carga) es 20 voltios.
La tensión de trabajo nominal es 18 voltios.



TABLE OF CONTENTS / TABLA DE CONTENIDOS

ENGLISH

■ Warranty	2
■ Introduction	2
■ Safety Instructions	3-5
■ Symbols	6-7
■ Features	8
■ Assembly	9
■ Operation for Reciprocating Saw	10-11
■ Care & Maintenance	12
■ Troubleshooting	13
■ Illustrated Parts List.....	14-15
■ Figure Numbers (Illustrations).....	i-ii

ESPAÑOL

■ Garantía	Sección de Inglés pág. 2
■ Introducción	Sección de Inglés pág. 2
■ Instrucciones de seguridad	3-5
■ Símbolos	6-7
■ Características	8
■ Armado	9
■ Funcionamiento de la sierra recíproca.....	10-12
■ Cuidado y mantenimiento.....	12
■ Resolución de problemas.....	13
■ Lista de piezas, ilustrada.....	14-15
■ Números de las figuras (ilustraciones).....	i-ii

CRAFTSMAN LIMITED WARRANTY

FOR ONE YEAR from the date of sale this power tool is warranted against defects in material or workmanship.

WITH PROOF OF SALE a defective product will be replaced free of charge.

For warranty coverage details to obtain free replacement, visit the web page:

www.craftsman.com/warranty

This warranty does not cover the blades, which are expendable parts that can wear out from normal use within the warranty period.

This warranty applies for only 90 days from the date of sale if this product is ever used while providing commercial services or if rented to another person.

This warranty gives you specific legal rights, and you may also have other rights which vary from state to state.

Sears Brands Management Corporation, Hoffman Estates, IL 60179

* * *

GARANTÍA LIMITADA CRAFTSMAN

DURANTE UN AÑO a contar de la fecha de venta, esta herramienta y la batería incluida con ella están garantizadas contra defectos en sus materiales o fabricación.

Un producto defectuoso será reemplazado de manera gratuita contra presentación de una PRUEBA DE VENTA.

Para conocer la cobertura de la garantía y obtener un reemplazo gratuito, visite el sitio Web:

www.craftsman.com/warranty

Esta garantía no cubre la broca, la cual es una pieza desechable que puede desgastarse debido al uso normal dentro del periodo de garantía.

La garantía se aplica durante un periodo de solo 90 días si el producto se usa para proporcionar servicios comerciales o si se le arrienda a otra persona.

Esta garantía le entrega derechos legales específicos que pueden variar según su estado (podría tener otros derechos adicionales).

Sears Brands Management Corporation, Hoffman Estates, IL 60179

INTRODUCTION / INTRODUCCIÓN

This tool has many features for making its use more pleasant and enjoyable. Safety, performance, and dependability have been given top priority in the design of this product making it easy to maintain and operate.

* * *

Esta herramienta tiene muchas funciones para hacerla más agradable y cómoda de usar. Se ha dado máxima prioridad a la seguridad, rendimiento y dependencia en las etapas de diseño de este producto para que sea fácil de utilizar y mantener.

SAFETY INSTRUCTIONS

⚠ WARNING

Read and understand all instructions. Failure to follow all instructions listed below may result in electric shock, fire and/or serious personal injury. Save all warnings and instructions for future reference. The term “power tool” in the warnings refers to your mains-operated (corded) power tool or battery-operated (cordless) power tool.

WORK AREA SAFETY

- Keep work area clean and well lit. Cluttered or dark areas invite accidents.
- Do not operate power tools in explosive atmospheres, such as in the presence of flammable liquids, gases or dust. Power tools create sparks which may ignite the dust or fumes.
- Keep children and bystanders away while operating a power tool. Distractions can cause you to lose control.

ELECTRICAL SAFETY

- Power tool plugs must match the outlet. Never modify the plug in any way. Do not use any adaptor plugs with earthed (grounded) power tools. Unmodified plugs and matching outlets will reduce risk of electric shock.
- Avoid body contact with earthed or grounded surfaces such as pipes, radiators, ranges and refrigerators. There is an increased risk of electric shock if your body is earthed or grounded.
- Do not expose power tools to rain or wet conditions. Water entering a power tool will increase the risk of electric shock.
- Do not abuse the cord. Never use the cord for carrying, pulling or unplugging the power tool. Keep cord away from heat, oil, sharp edges or moving parts. Damaged or entangled cords increase the risk of electric shock.
- When operating a power tool outdoors, use an extension cord suitable for outdoor use. Use of a cord suitable for outdoor use reduces the risk of electric shock.
- If operating a power tool in a damp location

is unavoidable, use a ground fault circuit interrupter (GFCI) protected supply. Use of a GFCI reduces the risk of electric shock.

PERSONAL SAFETY

- Stay alert, watch what you are doing and use common sense when operating a power tool. Do not use tool while tired or under the influence of drugs, alcohol, or medication. A moment of inattention while operating power tools may result in serious personal injury.
- Use personal protective equipment. Always wear eye protection. Protective equipment such as dust mask, non-skid safety shoes, hard hat, or hearing protection used for appropriate conditions will reduce personal injuries.
- Prevent unintentional starting. Ensure the switch is in the off-position before connecting to power source and/or battery pack, picking up or carrying the tool. Carrying power tools with your finger on the switch or energizing power tools that have the switch on invites accidents.
- Remove any adjusting key or wrench before turning the power tool on. A wrench or a key left attached to a rotating part of the power tool may result in personal injury.
- Do not overreach. Keep proper footing and balance at all times. This enables better control of the power tool in unexpected situations.
- Dress properly. Do not wear loose clothing or jewelry. Keep your hair, clothing and gloves away from moving parts. Loose clothes, jewelry or long hair can be caught in moving parts.
- If devices are provided for the connection of dust extraction and collection facilities, ensure these are connected and properly used. Use of these devices can reduce dust related hazards.

POWER TOOL USE AND CARE

- Use only with compatible Craftsman 20V Max powered by DieHard slide-type lithium-ion battery packs.

SAFETY INSTRUCTIONS

- Do not use the power tool if the switch does not turn it on and off. Any power tool that cannot be controlled with the switch is dangerous and must be repaired.
- Disconnect the plug from the power source and/or the battery pack from the power tool before making any adjustments, changing accessories, or storing power tools. Such preventive safety measures reduce the risk of starting the power tool accidentally.
- Store idle power tools out of the reach of children and do not allow persons unfamiliar with the power tool or these instructions to operate the power tool. Power tools are dangerous in the hands of untrained users.
- Maintain power tools. Check for misalignment or binding of moving parts, breakage of parts and any other condition that may affect the power tool's operation. If damaged, have the power tool repaired before use. Many accidents are caused by poorly maintained power tools.
- Keep cutting tools sharp and clean. Properly maintained cutting tools with sharp cutting edges are less likely to bind and are easier to control.
- Use the power tool, accessories and tool bits etc. in accordance with these instructions, taking into account the working conditions and the work to be performed. Use of the power tool for operations different from those intended could result in a hazardous situation.
- Hold power tool by insulated gripping surfaces when performing an operation where the cutting accessory may contact hidden wiring. Cutting accessory contacting a "live" wire may make exposed metal parts of the power tool "live" and could give the operator an electric shock.
- Know your power tool. Read Operator's Manual carefully. Learn its applications and limitations, as well as the specific potential hazards related to this power tool. Following this rule will reduce the risk of electric shock, fire, or serious injury.
- Always wear eye protection with side shields marked to comply with ANSI Z87.1 when assembling parts, operating the tool, or performing maintenance. Following this rule will reduce the risk of serious personal injury.
- Protect your lungs. Wear a face or dust mask if the operation is dusty. Following this rule will reduce the risk of serious personal injury.
- Protect your hearing. Wear hearing protection during extended periods of operation. Following this rule will reduce the risk of serious personal injury.
- Battery tools do not have to be plugged into an electrical outlet; therefore, they are always in operating condition. Be aware of possible hazards when not using your battery tool or when changing accessories. Following this rule will reduce the risk of electric shock, fire, or serious personal injury.
- Do not use on a ladder or unstable support. Stable footing on a solid surface enables better control of the power tool in unexpected situations.
- Do not force the power tool. Use the correct power tool for your application. The correct power tool will do the job better and safer at the rate for which it was designed.

RECIPROCATING SAW USE AND CARE

- Use clamps or another practical way to secure and support the workpiece to a stable platform. Holding the workpiece by hand or against your body leaves it unstable and may lead to loss of control.
- Keep your hands away from the blade and other moving parts. Do not reach under the workpiece being sawed. The blade or your hand could be out of your sight.
- Do not saw into walls or other places where there might be hidden electric cables. If it is necessary to saw in any case: Remove all fuses and cut off all the power supply to any wiring circuits which may be hidden behind the wall. Grip only

SAFETY INSTRUCTIONS

the plastic parts of the reciprocating saw.

Never grip any metal parts of the saw when cutting in areas where there might be live electrical wires.

- Do not use blunt or damaged saw blades. Bent saw blades can easily break or cause kickback.
- Start the saw and let it get up to speed before starting to cut.
- Clamp down any small workpieces before starting to cut them.
- Make sure that the settings are correct and that the blade is securely fastened in the blade holder before beginning to saw.

■ Save these instructions.

Refer to them frequently and use them to instruct others who may use this product. If you loan someone this product, loan them these instructions also.

CALIFORNIA PROPOSITION 65

WARNING

Drilling, sawing, sanding or machining wood products can expose you to wood dust, a substance known to the State of California to cause cancer. Avoid inhaling wood dust or use a dust mask or other safeguards for personal protection.









For more information go to:

www.P65Warnings.ca.gov/wood

Wash hands after handling.




SYMBOLS

Some of the following symbols may be used on this product. Please study them and learn their meaning. Proper interpretation of these symbols will allow you to operate the product better and safer.

SYMBOL	NAME	DESIGNATION/EXPLANATION
V	Volts	Voltage
A	Amperes	Current
Hz	Hertz	Frequency (cycles per second)
W	Watt	Power
min	Minutes	Time
~	Alternating Current	Type of current
---	Direct Current	Type or a characteristic of current
n_0	No-load Speed	Rotational speed, at no load
	Class II Construction	Double-insulated construction
.../min	Per Minute	Revolutions, strokes, surface speed, or bits, etc., per minute
	Wet Conditions Alert	Do not expose to rain or use in damp locations.
	Read The Operator's Manual	To reduce the risk of injury, user must read and understand operator's manual before using this product.
	Eye Protection	Always wear eye protection with side shields marked to comply with ANSI Z87.1.
	Safety Alert	Precautions that involve your safety
	No-Hands Symbol	Failure to keep your hands away from the blade will result in serious personal injury.
	Hot Surface	To reduce the risk of injury or damage, avoid contact with any hot surface.
	Recycle Symbol	This product uses lithium-ion batteries. Local, state or federal laws may prohibit disposal of batteries in ordinary trash. Consult your local waste authority for information regarding available recycling and/or disposal options.

SYMBOLS

The following signal words and meanings are intended to explain the levels of risk associated with this product.

SYMBOL	SIGNAL	MEANING
	DANGER	Indicates an imminently hazardous situation, which, if not avoided, will result in death or serious injury.
	WARNING	Indicates a potentially hazardous situation, which, if not avoided, could result in death or serious injury.
	CAUTION	Indicates a potentially hazardous situation, which, if not avoided, may result in minor or moderate injury.
	NOTICE	(Without Safety Alert Symbol) Indicates a situation that may result in property damage.

FEATURES

PRODUCT SPECIFICATIONS

Reciprocating Saw

Model No.	125.46756
Type.....	Cordless, battery-powered
Motor.....	20V max* d.c.
Stroke Length.....	7/8 in (22 mm)
No-load Speed.....	0-2600 strokes/min
Weight (with included battery).....	4.7 lbs

KNOW YOUR RECIPROCATING SAW

See Figure 1, page i

The safe use of this product requires an understanding of the information on the product labeling and in this Operator's Manual as well as knowledge of the project you are attempting. Before use of this product, familiarize yourself with all operating features and safety rules.

SAFETY SWITCH

The saw is equipped with a safety switch which reduces the possibility of accidental starting. The safety switch is located on the handle above the variable-speed trigger switch.

HEX KEY STORAGE

A hex key storage slot is conveniently located on the front portion of the handgrip. Insert the provided hex key into the storage slot when not in use.

VARIABLE SPEED

The variable-speed trigger switch delivers higher speed with increased trigger pressure and lower speed with decreased trigger pressure within the selected speed range.

QUICK RELEASE CLAMP

The quick release clamp allows you to quickly and easily install or remove the saw blade.

ASSEMBLY

UNPACKING

This product has been shipped completely assembled.

- Carefully remove the product and any accessories from the box. Make sure that all items listed in the packing list are included.

⚠ WARNING! Do not use this product if any parts on the Packing List are already assembled to your product when you unpack it. Parts on this list are not assembled to the product by the manufacturer and require customer installation. Use of a product that may have been improperly assembled could result in serious personal injury.

- Inspect the product carefully to make sure no breakage or damage occurred during shipping.
- Do not discard the packing material until you have carefully inspected and satisfactorily operated the product.
- If any parts are damaged or missing, do not operate the product. Return it for replacement to the retailer from which it was purchased.

PACKING LIST

- (1) Reciprocating Saw
- (2) Saw Blades
- (1) Hex Key
- (1) Operator's Manual

⚠ WARNING: If any parts are broken or missing, do not attempt to attach the battery pack or operate the tool until the broken or missing parts are replaced. Failure to do so could result in possible serious injury.

⚠ WARNING: Do not attempt to modify this tool or create accessories not recommended for use with this tool. Any such alteration or modification is misuse and could result in a hazardous condition leading to possible serious injury.

OPERATION FOR RECIPROCATING SAW

This product will accept Craftsman 20V Max powered by DieHard slide-type lithium-ion battery packs. For complete charging instructions, see the Operator's Manuals for your battery pack and charger models.

⚠ WARNING: To prevent accidental starting that could cause serious personal injury, always remove the battery pack from the tool when assembling parts, making adjustments, installing or removing saw blade, cleaning, or when it is not in use.

SHOE

See Figure 2, page ii

The shoe of the reciprocating saw pivots up and down in both directions. It is adjustable, allowing the use of the blade teeth at different positions on the blade.

TO CHANGE POSITIONS OF THE SHOE

- Remove battery pack.
- Loosen the set screw in the gear frame with the hex key provided with this saw. Reposition the shoe to desired position.
- Retighten set screw securely. Do not over tighten screw or use an aid with the hex key.
- Remove the hex key and store it in the hex key storage slot.

⚠ WARNING: Make sure the blade does not touch the workpiece until motor reaches full speed, since this could cause loss of control resulting in serious injury

TURNING THE SAW ON/OFF

- To turn the saw on: Depress the safety switch. Pull the trigger switch. You can depress the safety switch from either the left or right side.
- To turn the saw off: Release the trigger switch.

TO ATTACH BATTERY PACK

See Figure 3, page ii

To install the battery pack, align the tongue on the battery pack with the groove in the housing and slide it into place. Insert it all the way until it locks in place with a click.

NOTICE: Make sure that the latch on the battery pack snaps into place and the battery pack is secured to the tool before beginning operation. Improper assembly of the battery pack can cause damage to internal components.

TO DETACH BATTERY PACK

See Figure 3, page ii

To remove the battery pack, slide away from the tool while pressing the button on the front of the pack.

⚠ WARNING: Battery tools are always in operating condition. To prevent accidental starting, always set the direction-of-rotation selector to the OFF position when the tool is not in use or when carrying the tool at your side. Always carry the tool by its handgrip.

SELECTING BLADES

Selecting the correct type of blade is important in order to obtain the best on the material you wish to cut. Selecting the right blade will give you a smoother, faster cut and prolong the life of the blade.

Blades with fewer teeth, 6 teeth per inch (TPI) are typically used for cutting wood, while blades with more teeth are better for cutting metal or plastic. We recommend 14 TPI for plastics and soft metals and 24 TPI for hard metals.

INSTALLING/REMOVING BLADE

See Figure 4, page ii.

⚠ WARNING: Be extremely careful when inserting the blade to avoid contact between your fingers and the blade teeth. The blade teeth are sharp and can inflict serious cuts.

OPERATION FOR RECIPROCATING SAW

Blade Installation

NOTE: The blade can be installed with teeth facing either up or down.

- Remove the battery pack.
- Insert the blade through the opening of the shoe and into the blade clamp slot.
- Rotate the blade clamp counterclockwise as far as it will go.
- Push the blade shank all the way into the slot.
- Release the blade clamp to lock the blade in place.
- Check that the blade is secure before reattaching the battery pack to operate the saw.

Blade Removal

- Remove the battery pack.
- Rotate the blade clamp counterclockwise as far as it will go.
- Pull the blade out of the blade clamp.

GENERAL CUTTING

See Figure 5, page ii

Hold the saw firmly in front of and clearly away from you. Make sure saw blade is clear of any foreign material. Be sure material to be cut is held firmly. Small workpieces should be securely clamped in a vise or with clamps to the workbench or table.

- Mark the line of cut clearly.
- Depress the safety switch, then pull trigger switch to start cutting. You can depress the safety switch from either the left or right side.
- Place the shoe against the workpiece, then move the blade into the workpiece.
- The lock resets each time the trigger is released.

Do not force. Use only enough pressure to keep the saw cutting. Let the blade and saw do the work. Use of excessive pressure that causes bending or twisting of the blade may result in broken blades.

PLUNGE CUTTING

See Figure 6, page ii

- Mark the line of cut clearly.
- Choose a convenient starting point inside the area to be cut out and place the tip of the blade over that point.
- Rest front edge of shoe on workpiece and hold firmly in position.
- Depress the safety switch, then pull trigger switch to start cutting.
- With saw blade at full cutting speed, slowly tilt saw downward until the tip of blade starts cutting.
- After blade penetrates the workpiece, tilt saw until blade is perpendicular to the workpiece.

METAL CUTTING

See Figure 7, page ii

Metals such as sheet steel, pipe, steel rods, aluminum, brass, and copper may be cut with the saw. Be careful not to twist or bend the saw blade. Do not force. We recommend using cutting oil when cutting most soft metals and steel. Cutting oil will keep blades cool, increase cutting action, and prolong blade life.

Never use flammable oils since normal sparking of motor could ignite fumes. Clamp the workpiece firmly and cut close to the clamping point to eliminate any movement of the workpiece whilst cutting. When cutting conduit pipe or angle iron, clamp workpiece in a vise if possible and cut close to the vise. To cut thin sheet material, “sandwich” the material between two pieces of hardboard or plywood and clamp the layers to eliminate vibration and material tearing.

CARE & MAINTENANCE

⚠ WARNING: When servicing, use only identical replacement parts as listed in this manual. Use of any other parts may create a hazard or cause product damage.

⚠ WARNING: To avoid serious personal injury, always remove the battery pack from the tool when cleaning or performing any maintenance.

GENERAL MAINTENANCE

Avoid using solvents when cleaning plastic parts. Most plastics are susceptible to damage from various types of commercial solvents and may be damaged by their use. Use clean clothes to remove dirt, dust, oil, grease, etc.

⚠ WARNING: Do not at any time let brake fluids, gasoline, petroleum-based products, penetrating oils, etc. come in contact with plastic parts. Chemicals can damage, weaken or destroy plastic which may result in serious personal injury.

Only the parts shown on the parts list are intended to be repaired or replaced by the customer. All other parts should be replaced at the Sears Service Center.

⚠ WARNING: When servicing, use only identical replacement parts as listed in this manual. Use of any other parts may create a hazard or cause product damage. To ensure safety and reliability, all repairs should be performed by a qualified service technician.

STORAGE

- Remove the battery pack from the tool before storing.
- Clean all foreign material from the tools.
- Store the tools and its accessories in a dry, frost-free place.
- Always store the tools in a place that is inaccessible to children. The ideal storage temperature is between 40°F (4°C) and 100°F (38°C).

- Keep tools away from corrosive agents such as garden chemicals and de-icing salts.
- We recommend using the original package for storage or covering the product with a suitable cloth to protect it against dust.

TRANSPORTATION

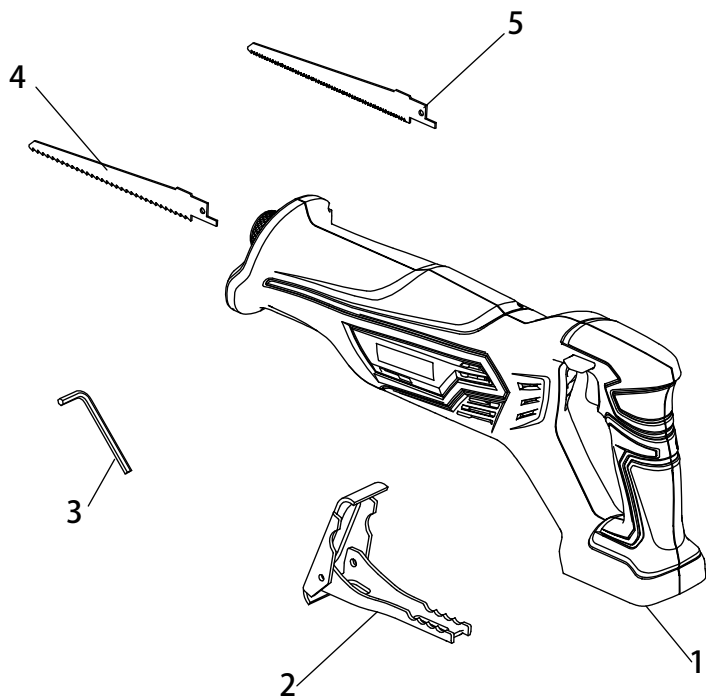
- Set the rotation selector to OFF and remove battery pack before transporting tool anywhere.
- Ordinarily, always carry the tool by its handgrip. If the tool is fitted with a belt hook, it may be hung from your belt.
- Protect the tool from any heavy impact or strong vibrations which may occur during transportation in vehicles.

TROUBLESHOOTING

PROBLEM	CAUSE	SOLUTION
Tool will not turn on.	Battery is defective.	Replace with new, charged battery.
	Switch is dead.	Tool must be replaced.
	Brushes are worn out.	Tool must be replaced.
The saw is sluggish and/or cuts out.	Worn/damaged saw blade.	Check the blade and replace with a new blade if necessary.
	Too much force applied.	Decrease the applied force.
Motor overheats.	Cooling vents are clogged with sawdust or debris, or are being covered by hand during operation.	Clear vents with compressed air. Do not cover vents with hand during operation.

The model number will be found on a label attached to the motor housing.

TO PURCHASE REPLACEMENT PARTS, CALL 1-888-331-4569



CRAFTSMAN 20V MAX* LITHIUM-ION CORDLESS COMBO KIT-MODEL NUMBER 125.46756

The model number will be found on a label attached to the motor housing.

TO PURCHASE REPLACEMENT PARTS, CALL 1-888-331-4569

ITEM NO.	PART NO.	DESCRIPTION	QTY
1	125.RS20A-B	Recip Saw Tool Body	1
2	411005102	Shoe assembly	1
3	411005103	Hex Spanner	1
4	411005104	Wood Saw Blade	1
5	411005105	Steel Saw Blade	1