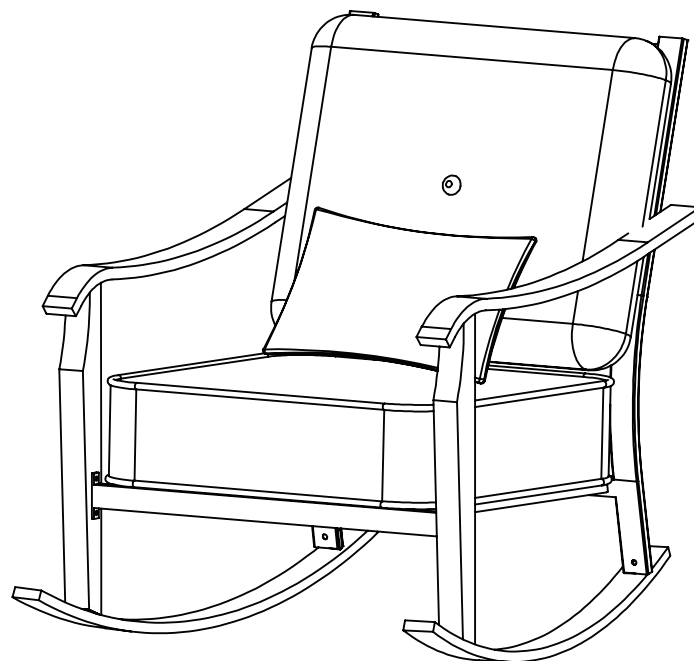


Scottsdale seating rocking chairs, set of 2
ASSEMBLY INSTRUCTIONS
SC-K-313SFRC/2

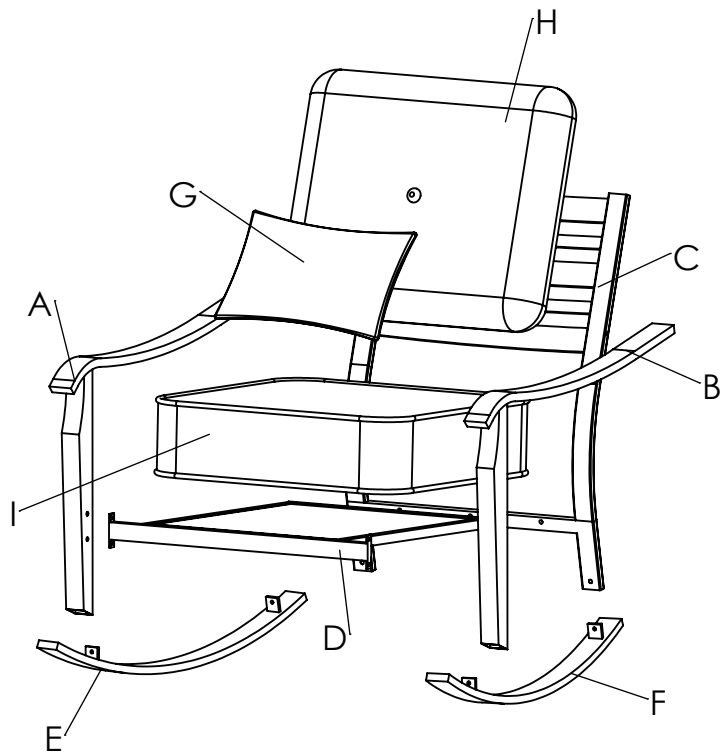


Questions, problems, missing parts with this product? Do not return to your retailer, please call our customer service department 9:00 a.m. to 5:00 p.m. Eastern Standard Time Monday through Friday Phone # 1-800-457-4652 or contact us at www.numarkcustomerservice.com



Parts

A	right arm	2
B	left arm	2
C	back	2
D	seat	2
E	right leg	2
F	left leg	2
G	throw Pillow	2
H	back cushion	2
I	seat cushion	2



Hardware

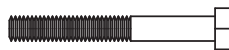
J1 x 14+1 spare
Short bolt



J2 x 8 + 1 spare
Medium bolt



J3 x 4
Long bolt



J4 x 26
Metal washer



J5 x 1
Allen wrench

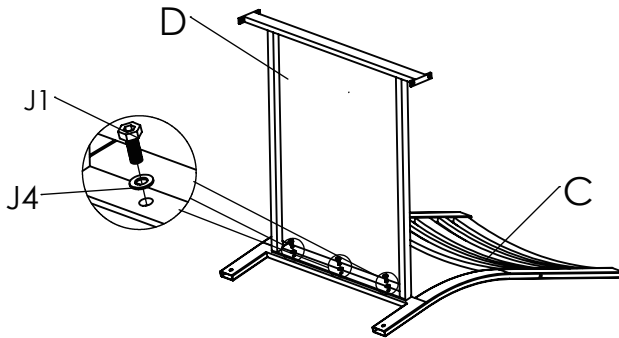


Assembly instruction

1

J1 x 3
Short bolt

J4 x 3
Metal washer

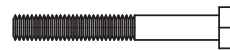
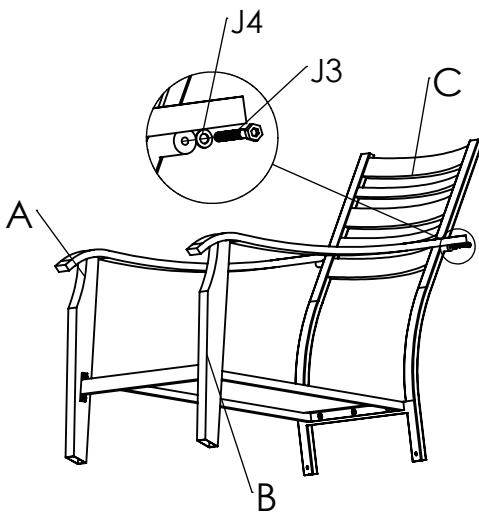


Do not tighten completely.

2

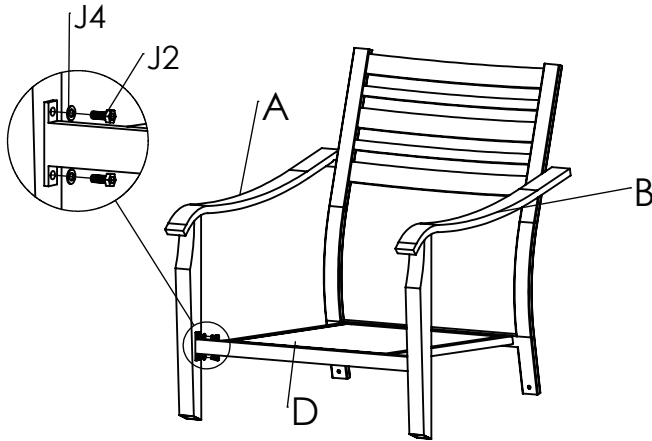
J3 x 2
Long bolt

J4 x 2
Metal washer



Do not tighten completely.
Repeat procedure for the other side.

3



J2 x 4
Medium bolt

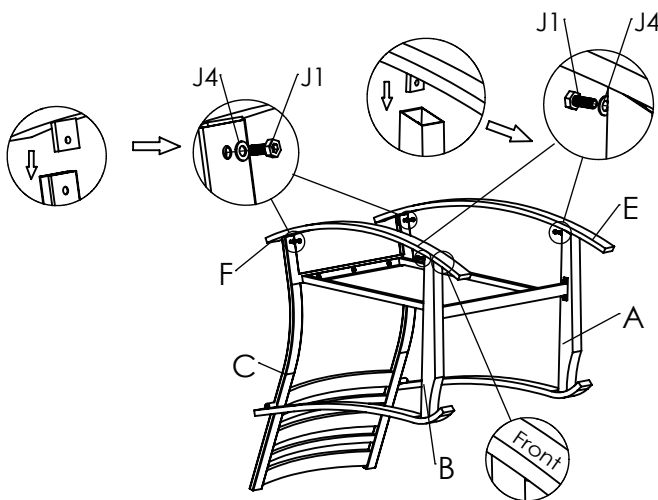


J4 x 4
Metal washer



Do not tighten completely.
Repeat procedure for the other side.

4



J1 x 4
Short bolt

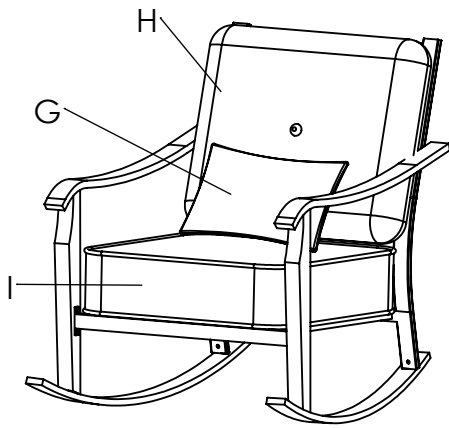


J4 x 4
Metal washer



Once all bolts are in place, go back and tighten them by using Allen wrench (J5).

5



Repeat procedure for the other chair.