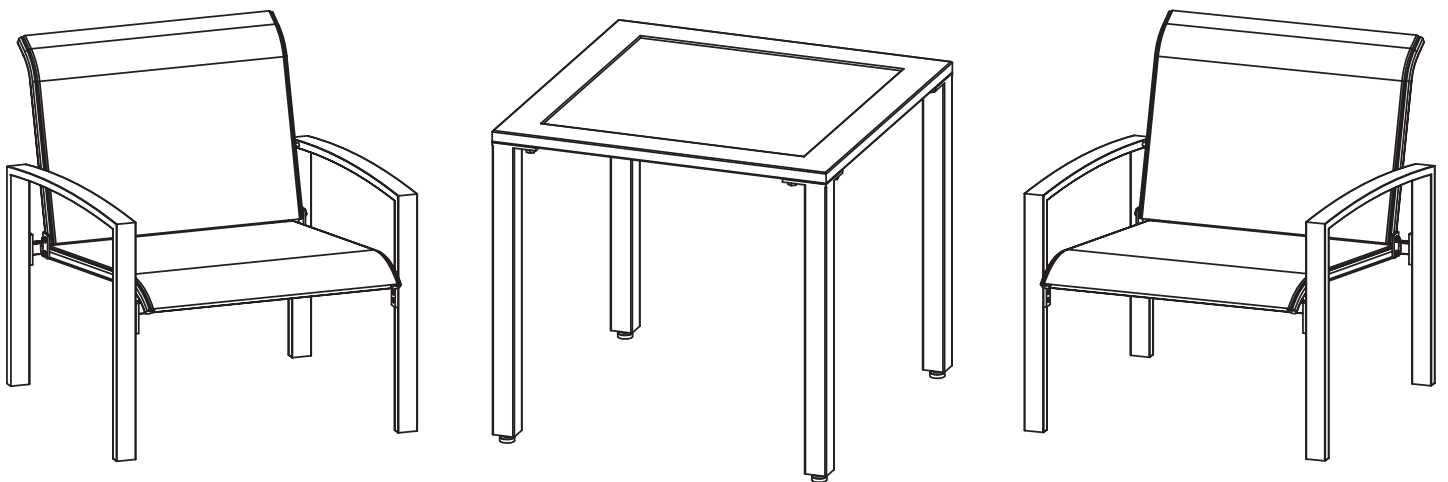


Galveston 3 piece seating set
ASSEMBLY INSTRUCTIONS
SS-K-160ESET3

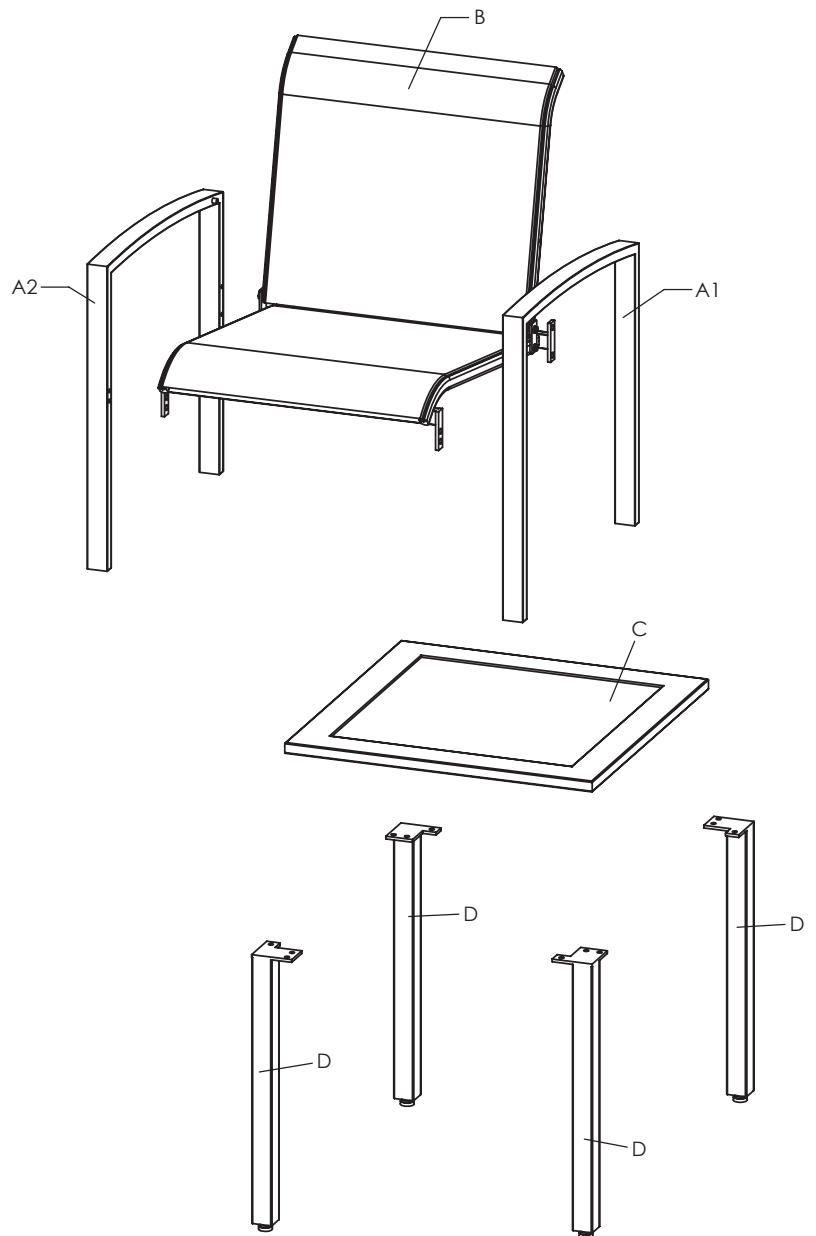


Questions, problems, missing parts with this product? Do not return to your retailer, please call our customer service department 9:00 a.m. to 5:00 p.m. Eastern Standard Time Monday through Friday Phone # 1-800-457-4652 or contact us at www.numarkcustomerservice.com



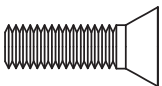
Parts

A1	left leg	2
A2	right leg	2
B	seat and back	2
C	table top (attached with 12pcs short bolt and 12pcs metal washer)	1
D	metal leg	4

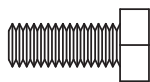


Hardware

E1 x 16 +1 spare
Countersink screw



E2 x 1 spare
Short bolt



E3 x 4 +1 spare
Long bolt



E4 x 4
Metal washer

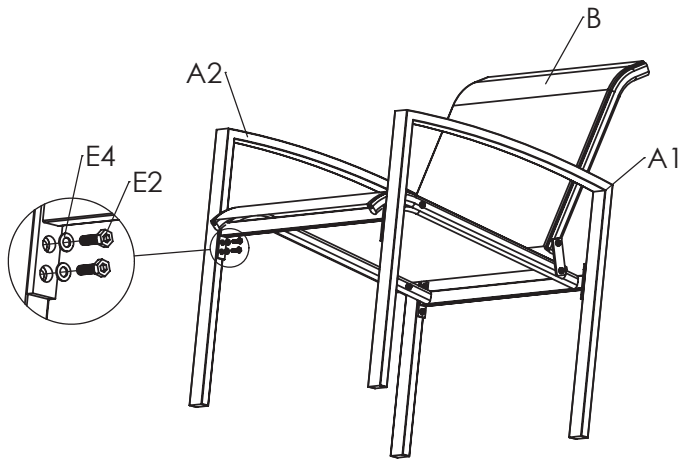


E5 x 1
Allen wrench

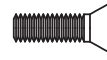


Assembly instruction

1

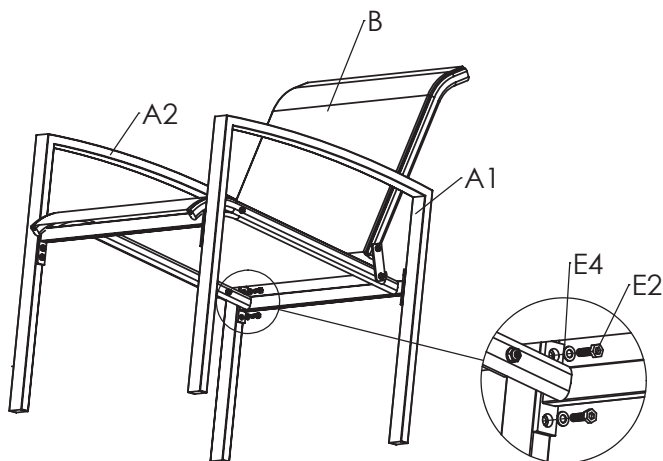


E1 x 4
Countersink screw



Do not tighten completely.
Repeat procedure for the other side.

2

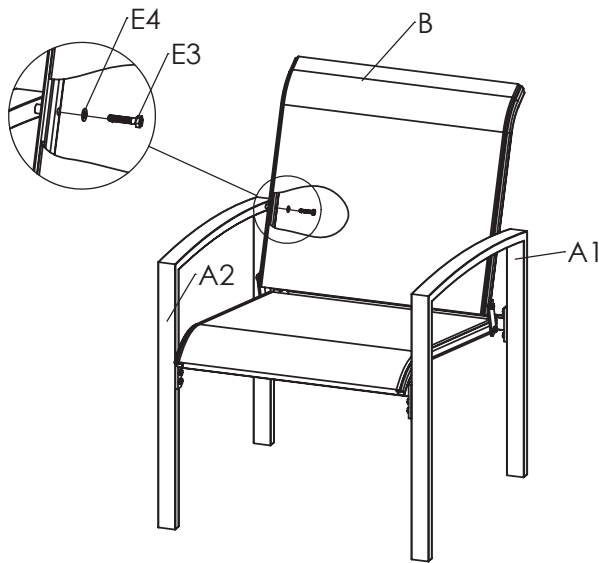


E1 x 4
Countersink screw



Do not tighten completely.
Repeat procedure for the other side.

3



E3 x 2
Long bolt

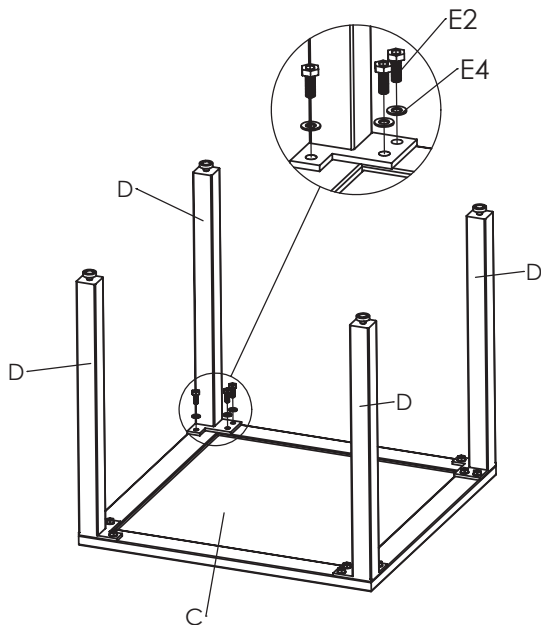


E4 x 2
Metal washer



Once all bolts are in place, go back and tighten all bolts by using Allen wrench (E5).
Repeat procedure for the other chair.

4



E2 x 12
Short bolt
(remove from the table top)



E4 x 12
Metal washer
(remove from the table top)



Once all bolts are in place, go back and tighten all bolts diagonally by using Allen wrench (E5).