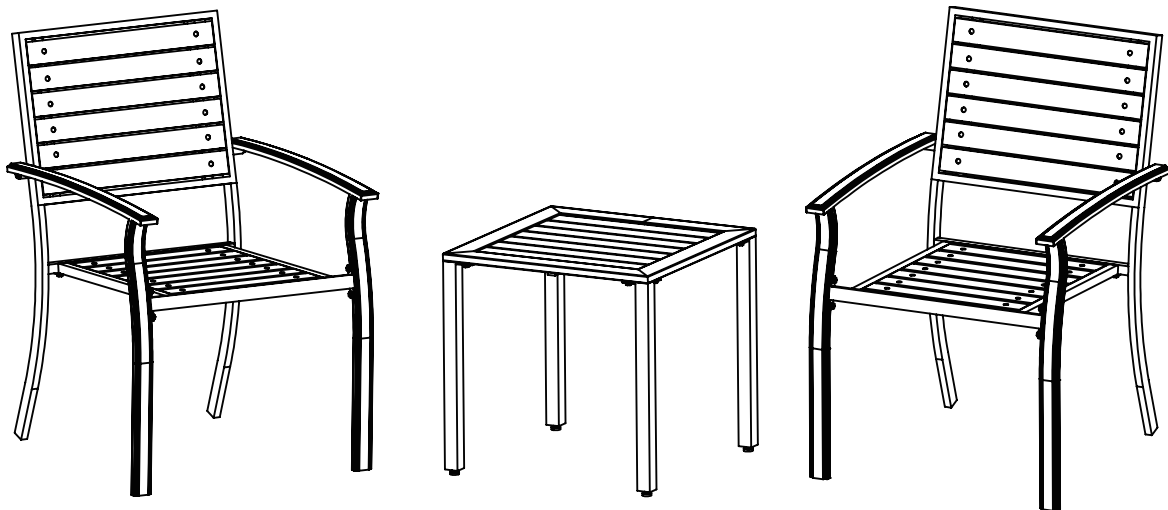


Everwood Harrington 3 piece seating set
ASSEMBLY INSTRUCTIONS
SR-I-139N/3



Questions, problems, missing parts with this product? Do not return to your retailer, please call our customer service department 9:00 a.m. to 5:00 p.m. Eastern Standard Time Monday through Friday Phone # 1-800-457-4652 or contact us at www.numarkcustomerservice.com



Care and Maintenance

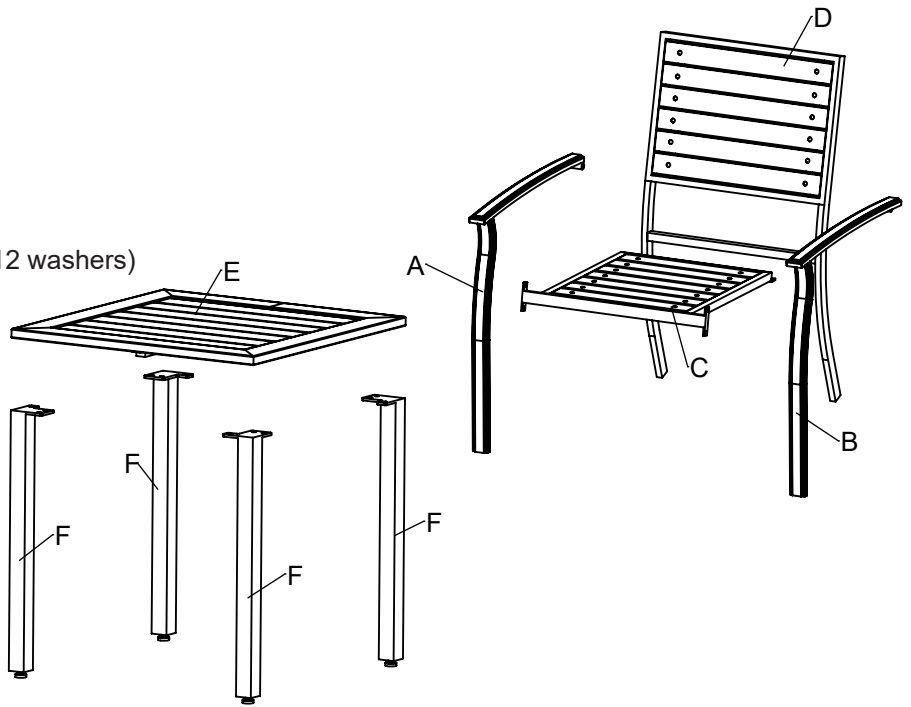
Though its powder-coated finish is rust-resistant, steel is prone to rust over time with exposure to the elements. In case of rust or scratches, lightly sand the affected area and apply touch-up paint. To maintain the finish periodically apply wax with a soft cloth.

Wash frames with a mild solution of soap and water; rinse thoroughly. Do not use bleach or solvents.

Do not store anything on tabletop. Use furniture covers or store indoors during cold or inclement weather.

Parts

- A right arm 2
- B left arm 2
- C seat 2
- D back 2
- E table top 1
(Attached with 12 bolts and 12 washers)
- F leg 4



Hardware

Ga x 12 +1 spare
Short Bolt



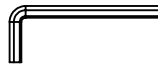
Gb x 4
Long Bolt



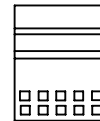
Gc x 16
Metal Washer



Gd x 1
Allen Wrench



Ge x 1
Assembly Instructions Sheet



Assembly instruction

1

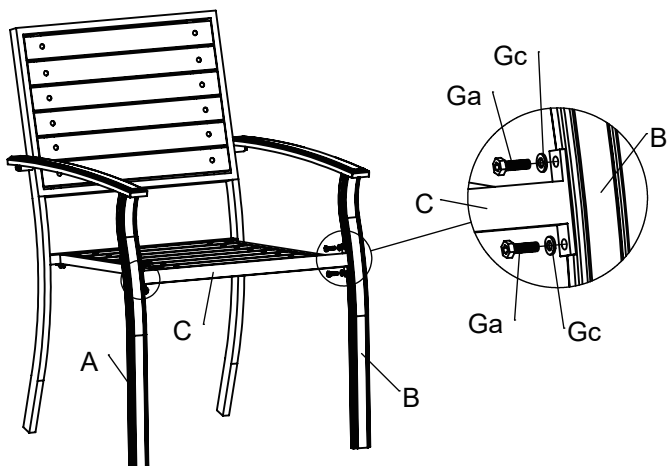
Ga x 2
Short Bolt

Gc x 2
Metal Washer

Do not tighten completely.
Repeat procedure for the other side.

Assembly instruction

2



Ga x 4

Short Bolt



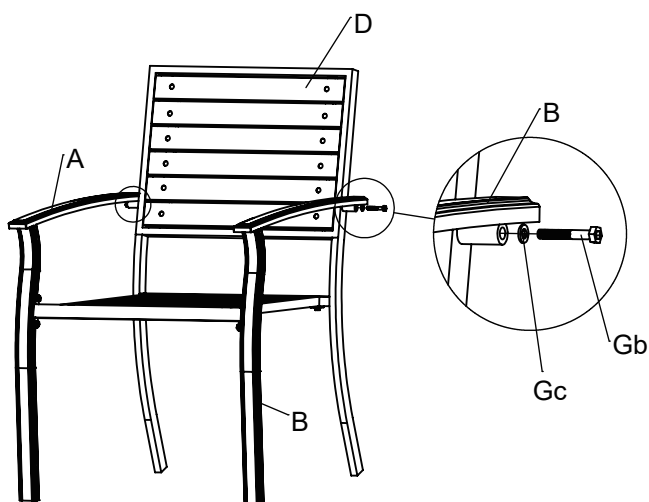
Gc x 4

Metal Washer



Do not tighten completely.
Repeat procedure for the other side.

3



Gb x 2

Long Bolt



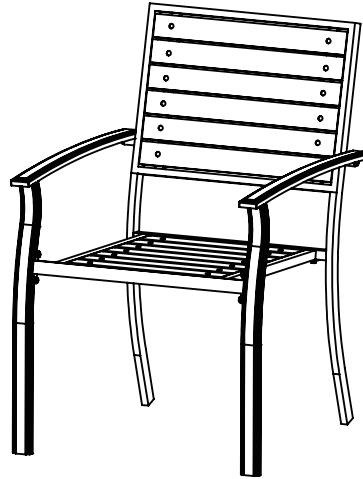
Gc x 2

Metal Washer



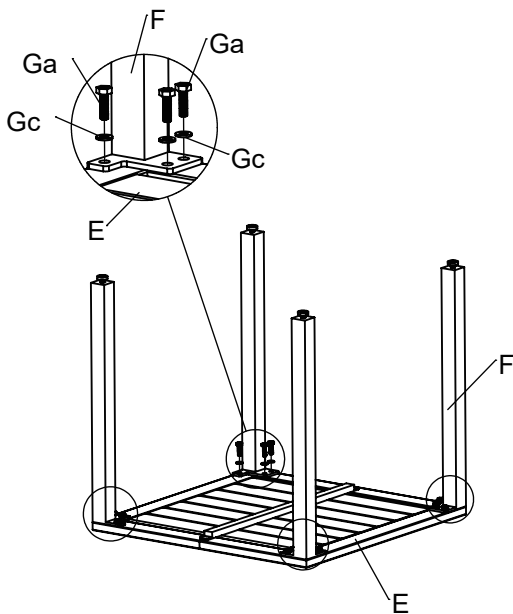
Do not tighten completely.
Repeat procedure for the other side.

4



Once all bolts are in place, go back and tighten all bolts by using Allen wrench (Gd).
Repeat procedure for the other chair.

5



Ga x 12
Short Bolt
(Remove from table top)

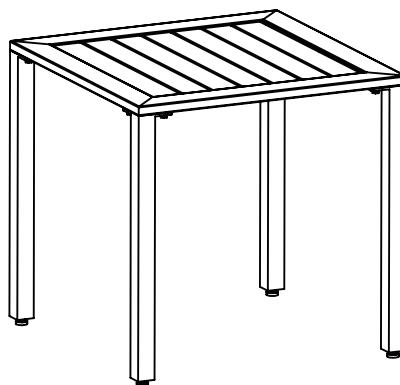


Gc x 12
Metal Washer
(Remove from table top)



Do not tighten completely.
Repeat procedure for the other three legs.

6



Turn over the side table, securely tighten all bolts by using Allen wrench (Gd) in a diagonal pattern.
Adjust the table level by twisting knobs on the bottoms of the legs.
Now your seating set is ready for use!