

COLOR
SWITCH
PLUS™



OWNER'S MANUAL

PRODUCT NAME

7.5FT REGAL FIR

Product code:

M44793

UPC code:

810174021615

Date of purchase: ____/____/____

COLOR SWITCH PLUS™

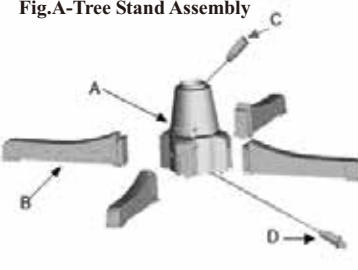
7.5FT REGAL FIR

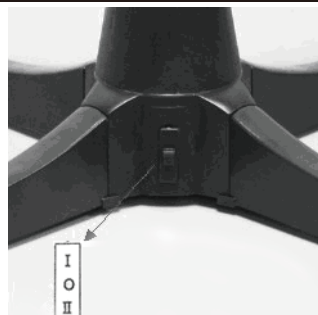
TREE ASSEMBLY INSTRUCTIONS

Congratulations on purchasing your new tree from **SEARS**. Carefully follow the instructions below on how to quickly and easily set up your new tree.

1. Before you start to assemble your tree, choose an appropriate location near a wall outlet.
2. Assemble the tree stand and place on a level surface. (See Fig. A)

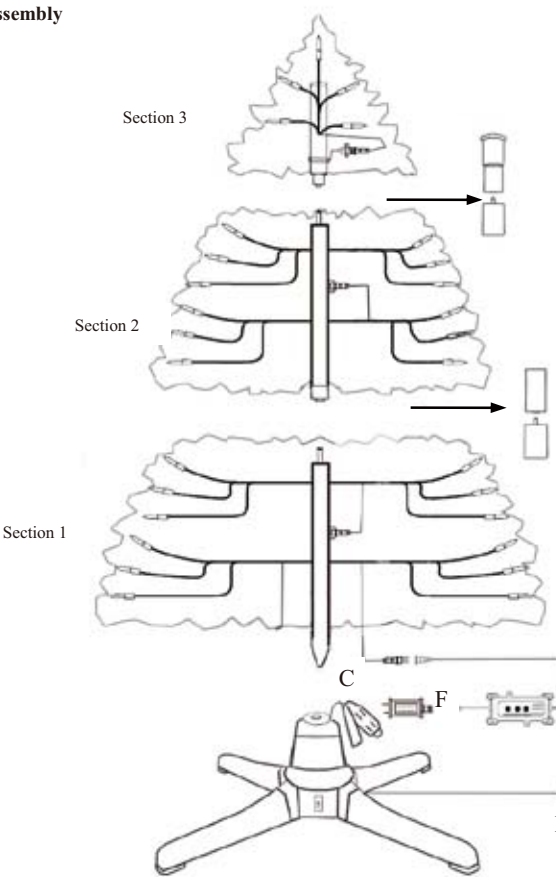
Fig.A-Tree Stand Assembly





- (1) Slide 4 legs (B) upwards into main engine(A)
- (2) Three functions of stand
 - I-Lights on
 - Stand does not rotate
 - O-Off
 - II-Lights on
 - Stand rotate

Fig.B-Tree and Light Assembly



***Electrical Rating For The Tree (For Indoor Use Only)**
 Input: 120V~60Hz, 0.25A
 Output: 29V-0.45A

E: Control Box
 Button A: ON/OFF
 Button B: COLOR
 Button C: MODE

- 1.STEADY ON
- 2.SLOW SPARKLING
- 3.QUICK SPARKLING
- 4.SLOW FADE
- 5.QUICK FADE
- 6.SLOW GLOW
- 7.FLASHING
- 8.COLOR SWITCHING

3. Assemble the tree from the bottom to the top. Start with the bottom section and insert into the assembled stand. Make sure the pole is firmly inserted and secured into the stand. Then connect the tree's light string adaptor(F) to rotating stand's end cord(C).

(Please note 8-functions control box(E) is wrapped in the lowest layer, if the remote control disappears, you can control the light string here.)

4. Continue by inserting the upper tree section to the lower section until inserting the tree top.
5. Finally shape the tree by arranging the tips on the branches to give the desired effect. Some tree styles have "side branches" attached to the main branch stem that require additional shaping as shown Fig.C. After shaping the complete tree the finished look should be natural and full.

Fig.C



MODEL #:W-2183RT-76KHZ

6. Then insert the plug of stand (D) into the wall outlet finally. Your entire tree should now be lit. If some bulbs do not light or flicker, search for any loose plugs and/or broken, loose or missing bulbs. Replace bulbs promptly in order to maintain the performance and life expectancy of your pre-lit tree.

STORAGE INSTRUCTIONS

1. Remove all ornaments and decorations. For pre-lit trees, first unplug the rotating stand's plug from the wall outlet.
2. Gather the branches upwards and secure them in place. Then disassemble the tree from the top to the upper section. Gently lift off the 2 sections and place them into box.
3. Then unplug the bottom section tree's light string adaptor (F) from rotating stand's end cord (C) and put the bottom section into box. Then disassemble the tree stand and pack into box and tape it shut.
4. When not in use, please store your tree in a cool, dry place away from sunlight. Exposing your tree to excessive heat or humidity may damage your tree.

TROUBLE SHOOTING TIPS


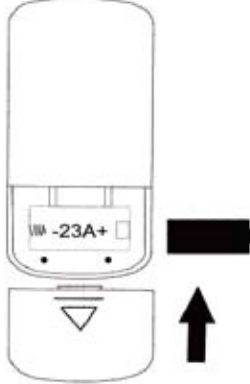
For Pre-lit Trees, If The Tree Does Not Illuminate

1. Please check to make sure that all plugs are properly connected as shown in **Fig.B** and the power cord is plugged into the wall outlet. Refer to assembly guide for instructions.
2. Please check for loose, broken or missing light bulbs and replace as needed.

SPARE PARTS

For pre-lit trees spare bulbs are included. If extra parts are needed, please contact our customer service center.

HOW TO USE REMOTE CONTROL:

 <p>Remote Control Front</p>	 <p>Remote Control Back</p>	<p>1: Remote Control Operating Range: 5 meters</p> <p>2: Remote Control Functions: Button A: ON/OFF Button B: COLOR Button C: MODE</p> <p>1. STEADY ON 2. SLOW SPARKLING 3. QUICK SPARKLING 4. SLOW FADE 5. QUICK FADE 6. SLOW GLOW 7. FLASHING 8. COLOR SWITCHING</p> <p>3. Remote Control includes 1 piece 23A battery packed separately with instruction manual.</p>
--	---	--

▲ WARNING

1. Use only power adaptor supplied with this product, using a different adaptor will damage the lights and cause fire, electrical shock hazards.
2. FOR INDOOR USE ONLY.

CUSTOMER SERVICE FOR CHRISTMAS TREES

Do Not Return This Product To The Store.

For any questions, assistance, or missing parts, please contact us at 1-844 946 8733
 Or visit our website at www.winnerstree.com.
 Welcome to email us: CUSTOMERSERVICE@WINNERSARTS.COM

Tree ID#: _____	Customer Name: _____
Tree UPC#: _____	Address: (No P.O. Boxes) _____
Store Purchased: _____	City & State: _____
Specify Problem: _____	Zip Code: _____
_____	Day Phone: _____
_____	Date Purchased: _____

TREE ID# IS LOCATED ON END PANEL OF BOX. TREE ID# IS REQUIRED WHEN REQUESTING REPLACEMENT PARTS.

sears

Please refer to part numbers when reordering
Made in / Hecho en CHINA

Distributed by Sears, Roebuck and Co., Hoffman Estates, IL 60179