

INSTALLATION GUIDE

HOOD

Read these instructions thoroughly before installing and operating the hood.

LSHD3689BD LSHD3089BD
LSHD3680ST LSHD3080ST



MFL70208702_00

www.lg.com

Copyright © 2017 LG Electronics Inc. All Rights Reserved.

TABLE OF CONTENTS

3 BEFORE YOU BEGIN

4 IMPORTANT SAFETY INSTRUCTIONS

7 PRODUCT SPECIFICATIONS

7 General Specifications

8 Dimensions

9 PRODUCT OVERVIEW

9 Parts

9 Accessories

10 PLANNING THE INSTALLATION

10 Cabinet Layout

11 Ducting Options

12 Ducting Calculation Sheet

13 Power Supply

13 Verify the Package Contents

14 INSTALLATION INSTRUCTIONS

14 Mounting the Range Hood

15 WIRING DIAGRAM

BEFORE YOU BEGIN

IMPORTANT:

- **Installer:** In the interest of safety and to minimize problems, read these installation instructions completely and carefully before you begin the installation process. Leave these installation instructions with the customer.
- **Customer:** Keep these installation instructions for future reference and the local electrical inspector's use.

APPLIANCE DATA PLATE

- The appliance data plate contains the model and serial number information and the electrical requirements.
- It is located inside the hood behind the filters on the back side of the chassis. Remove the filters to view it.

All specifications subject to change without notice. LG STUDIO assumes no liability for changes to specifications.

IMPORTANT SAFETY INSTRUCTIONS

Read and follow all instructions when using the range to prevent the risk of fire, electric shock, personal injury, or damage. This guide does not cover all possible conditions that may occur. Always contact your service agent or manufacturer about problems that you do not understand.

Download this owner's manual at: <http://www.lg.com>



This is the safety alert symbol. This symbol alerts you to potential hazards that can result in property damage and/or serious bodily harm or death.

All safety messages will follow the safety alert symbol and either the word WARNING or CAUTION. These words mean:



WARNING - Indicates a hazardous situation which, if not avoided, could result in death or serious injury.



CAUTION - Indicates a hazardous situation which, if not avoided, could result in minor or moderate injury.



WARNING

- To avoid the possibility of explosion or fire, do not store or use combustible, flammable or explosive vapors and liquids (such as gasoline) inside or in the vicinity of this or any other appliance. Also keep items that could explode, such as aerosol cans away from cooktop burners, ovens and range hoods. Do not store flammable or explosive materials in adjacent cabinets or areas.
- If the information in this manual is not followed exactly, a fire or explosion may result causing property damage, personal injury or death.
- **Do not use an additional speed control device with this unit.**
- **To avoid motor bearing damage and noisy and/or unbalanced impellers, keep drywall spray, construction dust, etc. off power unit.**
- **Your ventilator motor has a thermal overload which will automatically shut off the motor if it becomes overheated. The motor will restart when it cools down. If the motor continues to shut off and restart, have the product serviced.**
- **TO REDUCE THE RISK OF FIRE, ELECTRIC SHOCK, OR INJURY TO PERSONS, OBSERVE THE FOLLOWING:**
 - Use this unit only in the manner intended by the manufacturer. If you have questions, contact the manufacturer.
 - Before servicing or cleaning unit, switch power off at service panel and lock the electrical panel door to prevent power from being switched on accidentally. When the electrical panel door cannot be locked, securely fasten a prominent warning device, such as a tag, to the service panel.

⚠ WARNING

- **TO REDUCE THE RISK OF FIRE, ELECTRIC SHOCK, OR INJURY TO PERSONS, OBSERVE THE FOLLOWING:**
 - Installation work and electrical wiring must be done by qualified person(s) in accordance with all applicable codes and standards, including fire-rated construction.
 - Sufficient air is needed for proper combustion and exhausting of gases through the flue(chimney) of fuel burning equipment to prevent back drafting. Follow the heating equipment manufacturer's guidelines and safety standards such as those published by the National Fire Protection Association (NFPA), and the American Society for Heating, Refrigeration and Air Conditioning Engineers (ASHRAE), and the local code authorities.
 - When cutting or drilling into wall or ceiling, do not damage electrical wiring and other hidden utilities.
 - Ducted fans must always be vented to the outdoors.

⚠ CAUTION

For general ventilating use only. Do not use to exhaust hazardous or explosive materials and vapors.

GENERAL SAFETY PRECAUTIONS

To reduce the risk of fire, electric shock, serious injury or death when using the appliance, follow basic safety precautions, including the following:

⚠ WARNING

- Do not install or operate this hood if it has been damaged, dropped, has damaged electrical wires or is not working properly. If the product is damaged when received, immediately contact the dealer or builder.
- This range hood must be installed and grounded by a qualified installer according to these installation instructions.
- Install or locate this appliance only in accordance with these installation instructions and the requirements specified by the manufacturer of the cooktop or range. Improper installation, adjustment, alteration, service or maintenance can cause serious personal injury or property damage.
- The customer should not install, repair or replace any part of the range hood unless specifically recommended in the literature accompanying it. A qualified service technician should perform all other service.
- Keep all packaging materials away from children. Plastic bags can cause suffocation.
- Do not use an extension cord or adapter plug with this appliance.
- The installer must show the customer the location of the fuse box or circuit breaker panel box so that the customer knows where and how to turn the power off.
- Before installing or servicing the range hood, switch power off at the fuse box circuit breaker and lock the electrical panel door to prevent power from being switched on accidentally. When the electrical panel cannot be locked, securely fasten a prominent warning device, such as a tag, to the electrical panel.
- Read the owner's manual completely before using the appliance. Clean the appliance only as instructed in the owner's manual. Use only the cleaners specified.
- Do not tamper with the controls.

 **WARNING**

- Never allow the filter(s) to become blocked or clogged. Do not allow foreign objects, such as cigarettes or napkins, to be sucked into the hood.
- Clean the filter(s) and all grease-laden surfaces often to prevent grease fires and maintain performance.
- If the cooktop and range hood are near a window, use an appropriate window treatment. Avoid long drapes or other window coverings that could blow over the cooktop and hood, resulting in a fire hazard.
- Always run the fan(s) whenever the cooktop is operating.
- Never leave the range or cooktop unattended when a burner (or element) is in use. Boil-overs and greasy spills may smoke and/or ignite.
- Do not leave children alone or unattended in the area where the cooktop and range hood are in use. Never allow children to sit or stand on an appliance. Do not let children play with a range, cooktop or range hood. Do not store items of interest to children above or around the cooktop, range or range hood.
- The minimum vertical distance between the cooktop surface and the exterior part of the hood must be no less than 26" (66 cm). The vertical distance required may be longer for the range or cooktop being used. Consult the range or cooktop installation instructions for the minimum and maximum vertical distance from the appliance being used.
- TO REDUCE THE RISK OF FIRE, USE ONLY METAL DUCT WORK.

READ AND SAVE THESE INSTRUCTIONS

PRODUCT SPECIFICATIONS

General Specifications

All Models

Fan Speeds	5
Filters	Aluminum mesh filters
Total Connect Load	120 VAC, 60 Hz, 4 Amp.
Lights	120 VAC, 8 W LED light strip

Model Specific

Model Number	LSHD3689BD, LSHD3680ST, LSHD3089BD, LSHD3080ST,
Filters	2

Weight Specifications

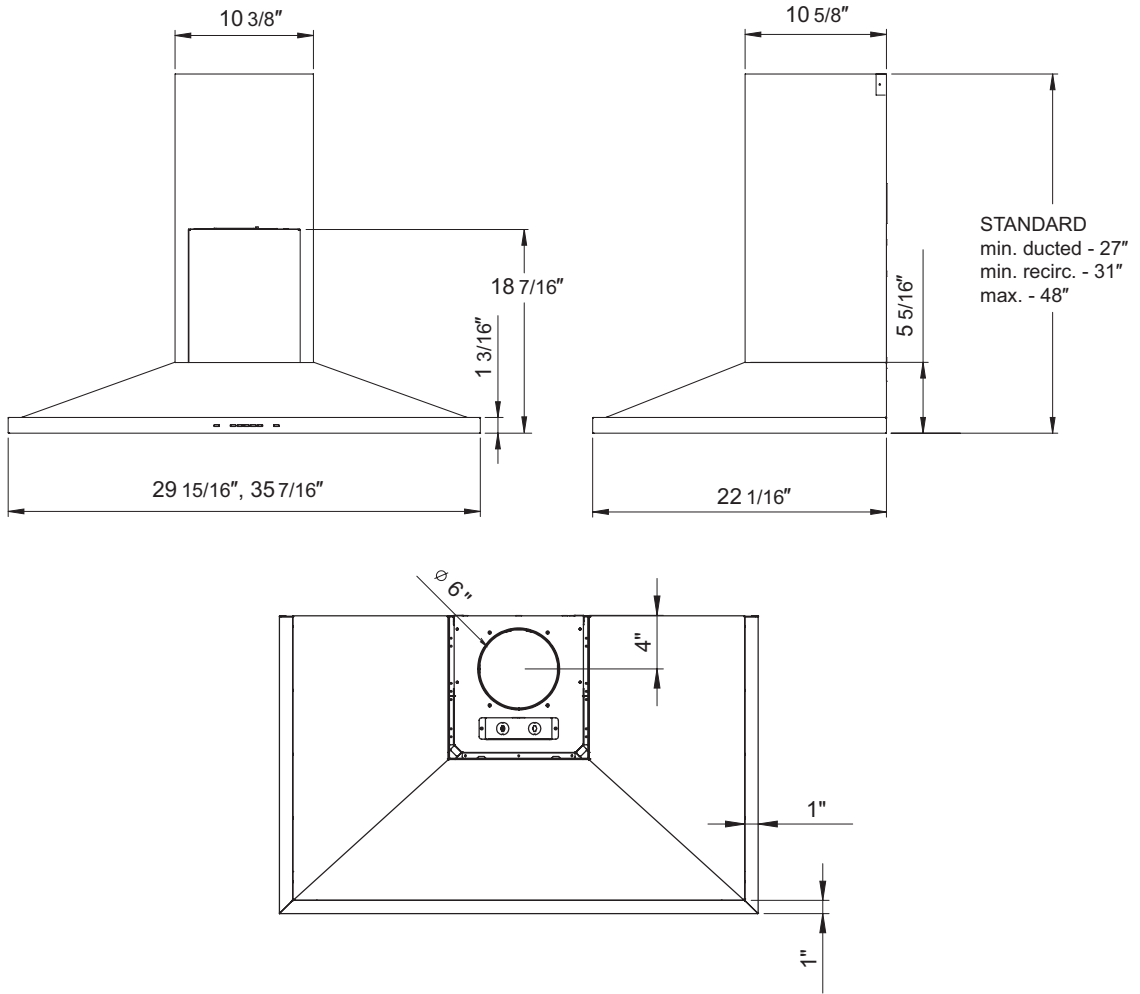
Model Number	Weight
LSHD3689BD, LSHD3680ST	37 lb. (17 kg)
LSHD3089BD, LSHD3080ST	35 lb. (16 kg)

Dimensions

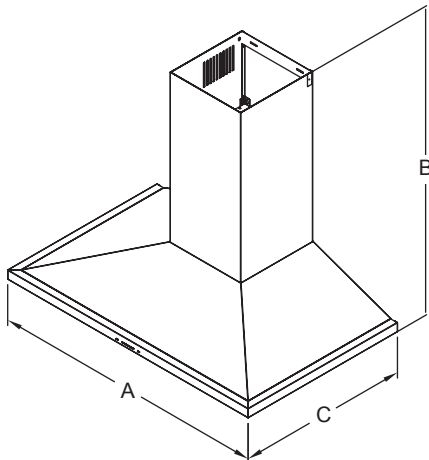
Tolerances: +1/16", -0 (1.6 mm, -0), unless otherwise stated.

NOTE

The exhaust duct(s) and electrical wiring can be connected from either the top or the back of the hood.



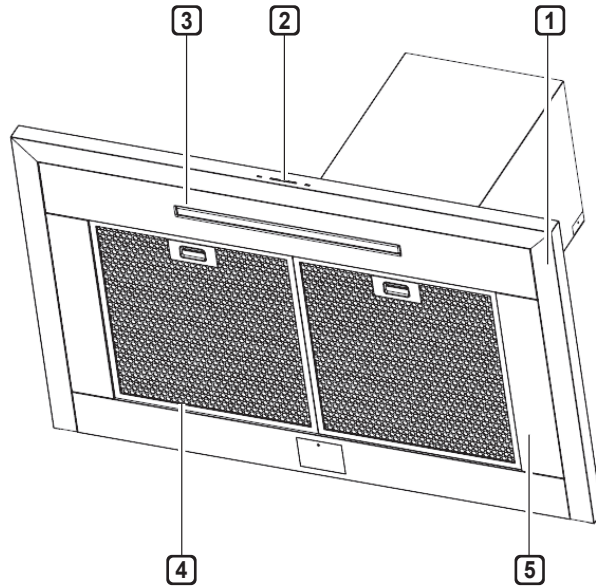
Overall Dimensions



Model	A	B	C
LSHD3689BD, LSHD3680ST	30"	$26 \frac{15}{16}''$	$22 \frac{1}{16}''$
LSHD3089BD, LSHD3080ST	36"	$26 \frac{15}{16}''$	$22 \frac{1}{16}''$

PRODUCT OVERVIEW

Parts



1 Hood

2 Icon Touch Control Panel

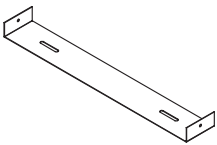
3 LED Strip Light

4 Mesh Filter

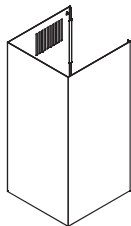
5 Side Panel
(Only for LSHD3689BD, LSHD3680ST)

Accessories

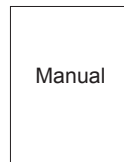
Included Accessories



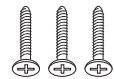
Duct cover bracket



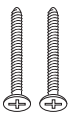
Duct cover



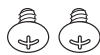
Manual



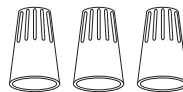
M6 x 1" (3)



M6 x 1-1/2" (2)



M4 x 8 (2)



Wire Caps (3)

PLANNING THE INSTALLATION



WARNING

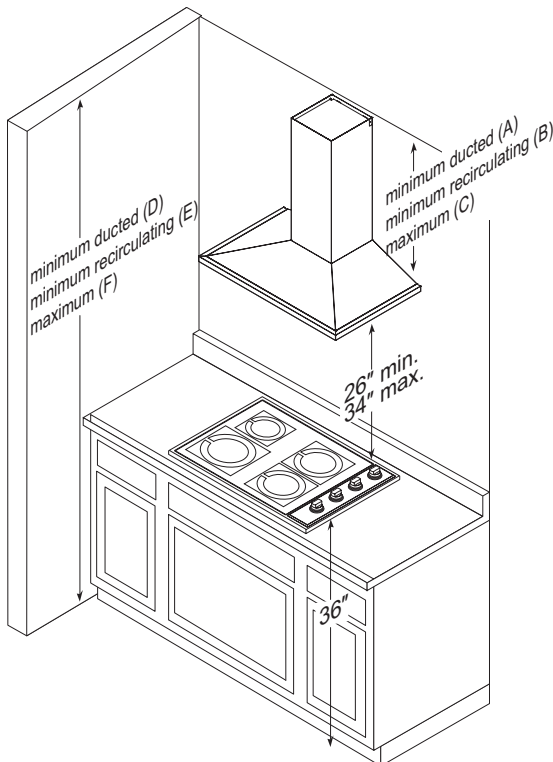
Observe all governing codes and ordinances during planning and installation. Contact your local building department for further information. Use only duct work deemed acceptable by state, municipal and local codes.

Cabinet Layout



WARNING

To reduce the risk of personal injury caused by reaching over a hot appliance, cabinet storage space located directly above the range should be avoided.



Minimum Cabinet Width

		Standard Duct Cover
Hood Heights	minimum ducted (A)	27"
	minimum recirculating (B)	31"
	maximum (C)	48-1/2"
Ceiling Heights	minimum ducted (D)	89" (7' 5")
	minimum recirculating (E)	93" (7' 9")
	maximum (F)	118" (9' 10")

Ducting

A minimum of 6" round duct must be used to maintain maximum air flow efficiency.

Always use rigid metal ducts only. Flexible ducts could restrict air flow by up to 50%.

Also use calculation (on page 12) to compute total available duct run when using elbows, transitions and caps.

ALWAYS, when possible, reduce the number of transitions and turns. If long duct run is required, increase duct size from 6" to 7" or 8".

If turns or transitions are required, install as far away from hood duct output and as far apart as possible.

Minimum mount height between range top to hood bottom should be no less than 26".

Maximum mount height should be no higher than 34".

It is important to install the hood at the proper mounting height. Mounting the hood too low could result in heat damage and fire hazard. Mounting the hood too high will make it hard to reach and reduce its performance and efficiency.

If available, also refer to the range manufacturer's height clearance requirements and recommended hood mounting height above range.



CAUTION

DAMAGE DURING SHIPPING / INSTALLATION:

- Please fully inspect unit for damage before installation.
- If the unit is damaged in shipment, return the unit to the store in which it was bought for repair or replacement.
- If the unit is damaged by the customer, repair or replacement is the responsibility of the customer.
- If the unit is damaged by the installer (if other than the customer), repair or replacement must be made by arrangement between customer and installer.

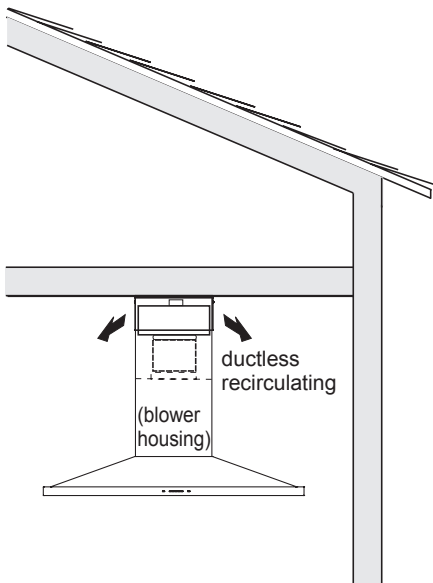
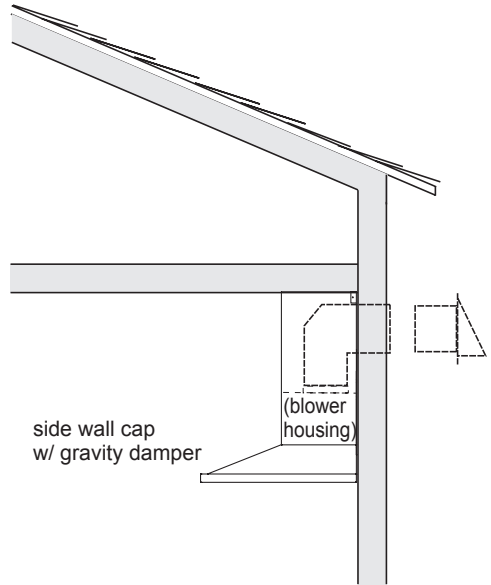
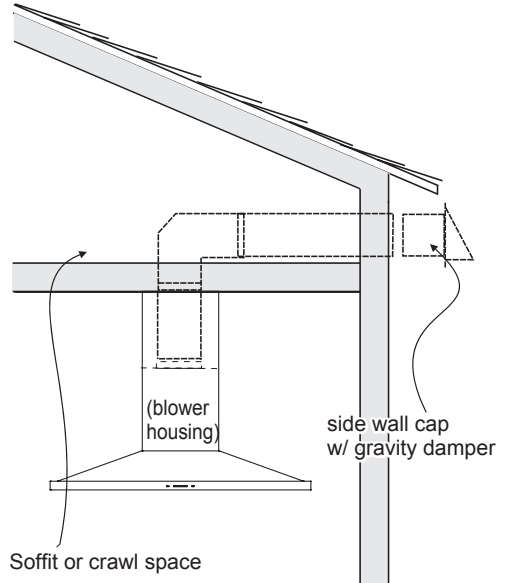
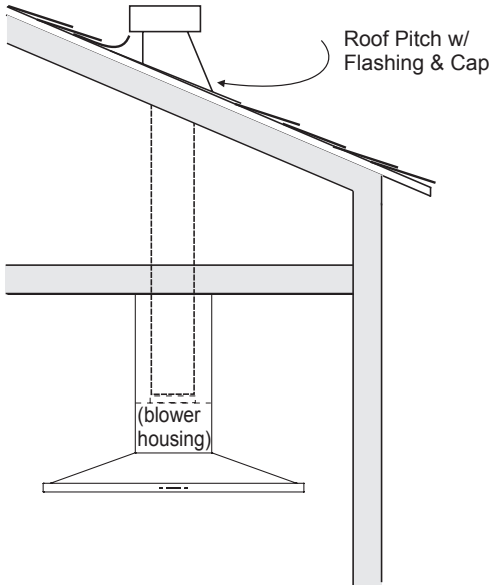
Ducting Options

WARNING



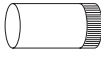
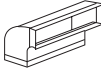
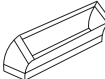


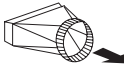
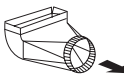


Fire Hazard

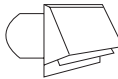

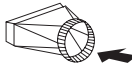
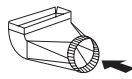


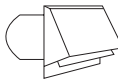

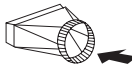
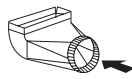
- NEVER exhaust air or terminate duct work into spaces between walls, crawl spaces, ceiling, attics or garages.
- All exhaust must be ducted to the outside.
- Use metal ductwork only.
- Fasten all connections with sheet metal screws and tape all joints with certified Silver Tape or Duct Tape.

Sample Ducting Options



Ducting Calculation Sheet

Duct pieces		Equivalent length x number used =	Total
	3-1/4" x 10" Rect., straight	1 Ft. x () =	Ft.
	6" Round, straight	1 Ft. x () =	Ft.
	7"-10" Round, straight	1 Ft. x () =	Ft.
	3-1/4" x 10" Rect. 90° elbow	15 Ft. x () =	Ft.
	3-1/4" x 10" Rect. 45° elbow	9 Ft. x () =	Ft.
	3-1/4" x 10" Rect. 90° flat elbow	24 Ft. x () =	Ft.
	3-1/4" x 10" Rect. wall cap with damper	30 Ft. x () =	Ft.
	3-1/4" x 10" Rect. to 6" round transition	5 Ft. x () =	Ft.
	3-1/4" x 10" Rect. to 6" round transition 90° elbow	20 Ft. x () =	Ft.
	6" Round, 90° elbow	15 Ft. x () =	Ft.
	6" Round, 45° elbow	9 Ft. x () =	Ft.
Subtotal column 1 =			Ft.

Duct pieces		Equivalent length x number used =	Total
	6" Round wall cap with damper	30 Ft. x () =	Ft.
	6" Round, roof cap	30 Ft. x () =	Ft.
	6" round to 3-1/4" x 10" rect. transition	1 Ft. x () =	Ft.
	6" round to 3-1/4" x 10" rect. transition 90° elbow	16 Ft. x () =	Ft.
	7" - 10" Round, 90° elbow	15 Ft. x () =	Ft.
	7" - 10" Round, 45° elbow	9 Ft. x () =	Ft.
	7" - 10" Round wall cap with damper	30 Ft. x () =	Ft.
	7" - 10" Round, roof cap	30 Ft. x () =	Ft.
	7" round to 3-1/4" x 10" rect. transition	8 Ft. x () =	Ft.
	7" round to 3-1/4" x 10" rect. transition 90° elbow	23 Ft. x () =	Ft.
Subtotal column 2 =			Ft.
Subtotal column 1 =			Ft.
Total ductwork =			Ft.

Maximum Duct Length: For satisfactory air movement, the total duct length should not exceed 100 equivalent feet.

Ductwork Design Tips

Wherever possible, reduce the number of transitions and turns to as few sharp angles as possible. Two staggered 45° angles are better than one 90°.

Keep turns as far away from the hood exhaust as possible, and allow as much space between bends as possible.

For best performance, use round ducts instead of rectangular, especially when elbows are required.

If multiple elbows are used, try to keep a minimum of 24" of straight duct between them.

Avoid "S" or "back to back" use of adjacent elbows.

In regions where the weather gets extremely cold, use thermal breaks, such as a short section of non-metallic duct, to avoid indoor heat loss. Locate the break as close as possible to the outside pass-through point.

Do not use flexible metal duct.

Do not use ductwork that is smaller in cross-sectional area than the recommended types above.

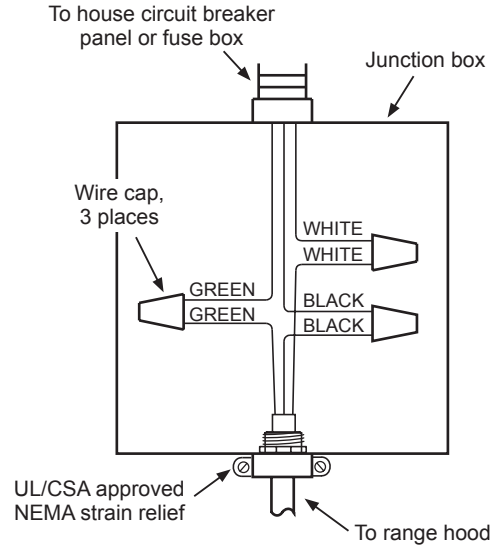
Power Supply

WARNING

- The information in this manual should be followed exactly. Failure to do so could result in fire or electrical shock, causing property damage, personal injury or death.
- **All electrical work must be performed by qualified electrician or person with similar technical knowledge and background.**
- For personal safety, remove house fuse or open circuit breaker before beginning installation. Do not use extension cord or adapter plug with this appliance.
- **Follow national electrical codes or prevailing local codes and ordinances.**

Electrical Supply

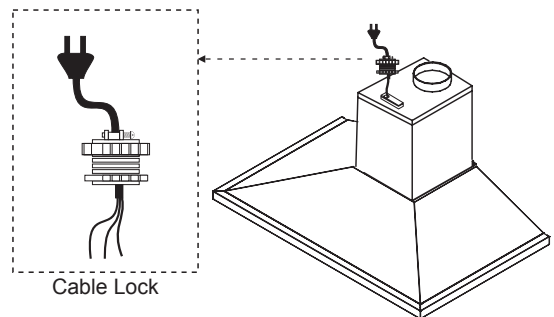
This appliance requires a 120V 60Hz electrical supply, and must be connected to an individual, properly grounded branch circuit, protected by a 15 or 20 ampere circuit breaker or time delay fuse. Wiring must be 2 wire w/ ground. Please also refer to the Electrical Diagram label on product.



3 Wire Connection to Junction Box

Cable Lock

A cable locking connector (not supplied) might also be required by local codes. Check with local requirements and codes, and purchase and install appropriate connector if necessary.



Verify the Package Contents

Unpack the parts box and verify that all parts and accessories have been included. If any item is missing or damaged, please contact the dealer immediately. Do not install a damaged or incomplete appliance.

Make sure you have everything necessary for proper installation before proceeding.

INSTALLATION INSTRUCTIONS

⚠ WARNING

- Do not install the range hood unless the electrical service provided meets the range hood specifications.
- Observe all governing codes and ordinances during installation. Contact your local building department for further information.
- A qualified technician must complete the installation of this built-in appliance. More than one person is required to raise the hood into place. The owner is responsible to make sure the hood is properly installed.

Mounting the Range Hood

Mounting Under a Kitchen Cabinet

⚠ CAUTION

At least two installers are required due to the weight and size of the hood.

- 1 Measure from range top to desired hood bottom and mark line A. (26" minimum from range top).
- 2 Plumb and mark center line.
- 3 Mark hood height line B. (18-7/16" from line A)
- 4 Mark mounting spread from center line. (8-7/8" on line B)
- 5 Fasten (2) M4 x 1-1/2" screws into studs on line B but do not tighten all the way.

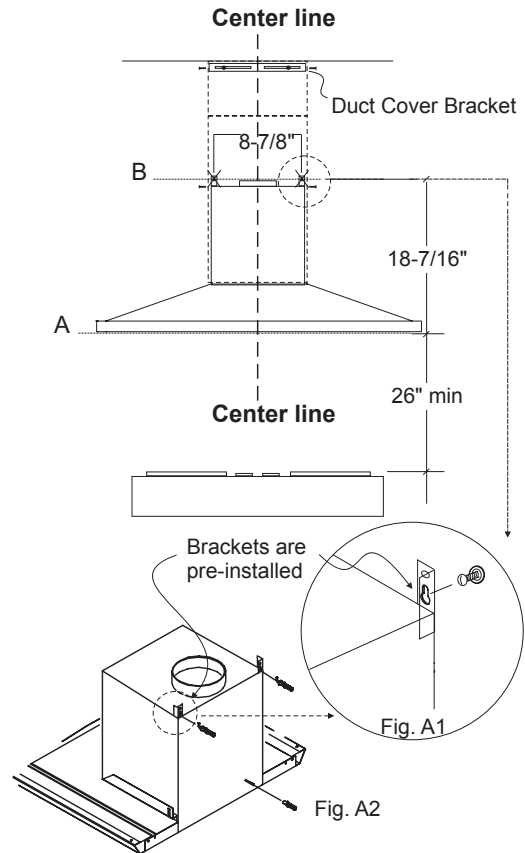
NOTE

Wood blocking may need to be added behind the drywall if no studs are present. Wall anchors may also be used but check local codes for compliance. Failure to use suitable wall anchors and screws to hold the weight of the hood could result in personal injury or damage to cooking surface or counter.

- 6 Remove the (2) aluminum mesh filters.
- 7 Hang hood onto the mounting screws and hand tighten each screw. (Fig A1) Secure a third M4 x 1-1/2" screw through inside of hood into wall for extra support (Fig A2)

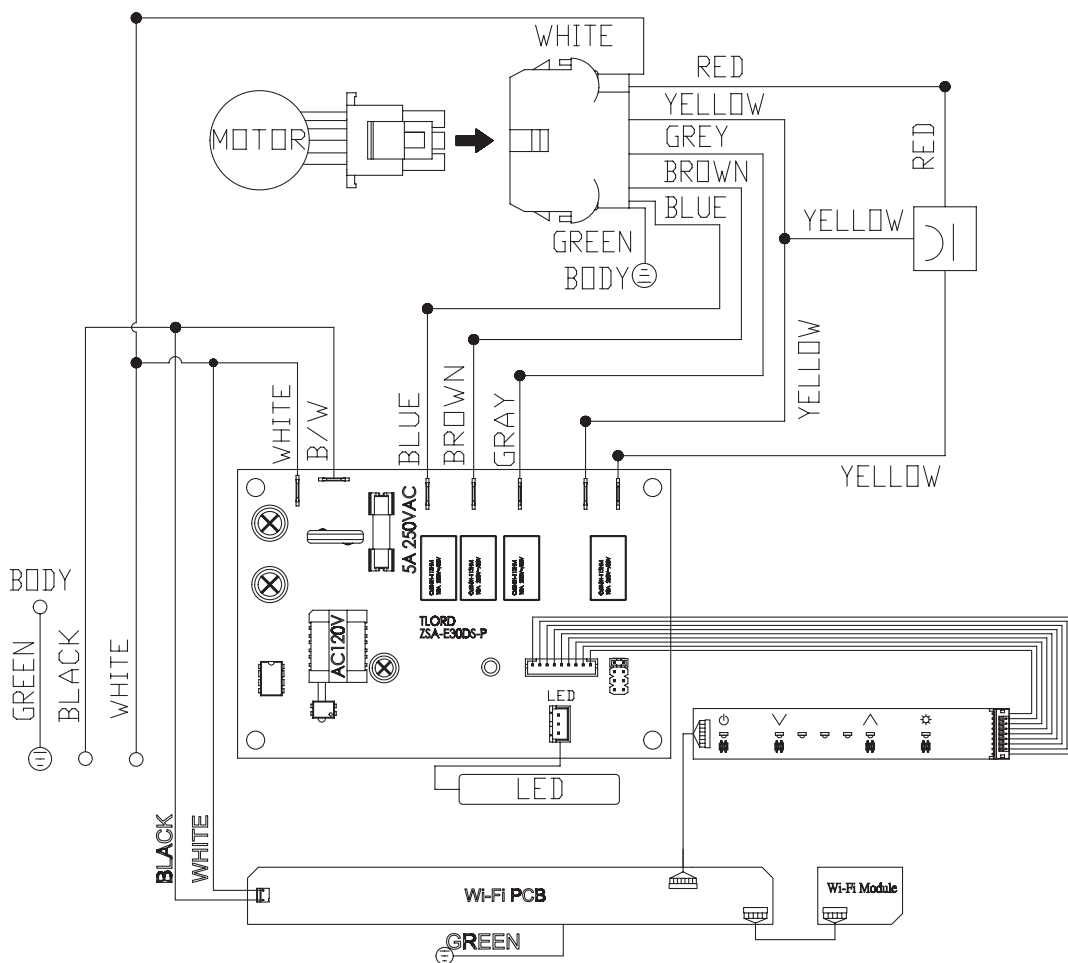
- 8 Center and attach duct cover mounting bracket to wall just below the ceiling or soffit using (2) M4 x 1" screws.
- 9 Install electrical and duct work. Seal duct work with aluminum duct tape
- 10 Power up hood and check for leaks around duct tape.
- 11 Place telescopic duct covers onto hood and extend inner (top) duct cover upwards and secure to duct cover bracket using (2) M4 x 8 screws. Reinstall mesh filters.

- If using hood in recirculating mode you must secure the air diverter plate onto wall before installing duct work and duct covers. You will also need to install charcoal filters and brackets.



WIRING DIAGRAM

Models	Volts	HZ	MAX Amps
LSHD3089BD LSHD3080ST LSHD3689BD LSHD3680ST	120	60	4



REMARKS:CONDENSER 12.5+12.5uF 250VAC FIT AC120V 60Hz

MEMO

GUÍA DE INSTALACIÓN CAMPANA

Lea atentamente estas instrucciones antes de instalar y poner la campana en funcionamiento.

LSHD3689BD LSHD3089BD
LSHD3680ST LSHD3080ST



MFL70208702_00

www.lg.com

Copyright © 2017 LG Electronics Inc. Todos los Derechos Reservados.

ÍNDICE

3 ANTES DE COMENZAR

4 INSTRUCCIONES IMPORTANTES DE SEGURIDAD

7 ESPECIFICACIONES DEL PRODUCTO

7 Especificaciones generales

8 Dimensiones

9 DESCRIPCIÓN GENERAL DEL PRODUCTO

9 Piezas

9 Lista de piezas

10 PLANIFICACIÓN DE LA INSTALACIÓN

10 Disposición de alacenas

11 Opciones de conducto

12 Hoja de cálculo de conducto

13 Suministro de energía

13 Verifique el contenido del embalaje

14 INSTRUCCIONES DE INSTALACIÓN

14 Montaje de la campana extractora

15 DIAGRAMA DE CABLEADO

ANTES DE COMENZAR

IMPORTANTE:

- Instalador: Para preservar la seguridad y reducir los posibles problemas, lea estas instrucciones para la instalación por completo antes de comenzar el proceso de instalación. Deje estas instrucciones al cliente.
- Cliente: Conserve estas instrucciones de instalación para referencia futura y para que las consulte el inspector

PLACA DE DATOS DEL ARTEFACTO

- La placa de datos de este artefacto contiene información del número de serie y el modelo, y los requisitos eléctricos.
- Se encuentra ubicada dentro de la campana, detrás de los filtros, en la parte posterior del chasis. Retire los filtros para verla.

Todas las especificaciones están sujetas a cambios sin previo aviso. LG STUDIO no se hace responsable por cambios en las especificaciones.

INSTRUCCIONES IMPORTANTES DE SEGURIDAD

Lea y siga todas las instrucciones cuando utilice la cocina para evitar riesgos de incendios, descargas eléctricas, lesiones personales o daños. Esta guía no incluye todas las situaciones posibles que podrían ocurrir. Siempre comuníquese con su agente de servicio técnico o con el fabricante cuando haya problemas que no comprenda.

Descargue este manual en: <http://www.lg.com>



Este es el símbolo de alerta de seguridad. Este símbolo le advierte sobre posibles riesgos que pueden ocasionar daños materiales, lesiones personales graves o la muerte.

El símbolo de alerta de seguridad siempre estará acompañado de las palabras "ADVERTENCIA" o "PRECAUCIÓN". Estos términos significan lo siguiente:



ADVERTENCIA - Indica una situación peligrosa que, de no evitarse, podría causar lesiones graves o la muerte.



PRECAUCIÓN - Indica una situación peligrosa que, de no evitarse, podría causar lesiones leves o moderadas.



ADVERTENCIA

- Para evitar que se produzcan explosiones o incendios, no almacene ni use líquidos o vapores combustibles, inflamables o explosivos (como por ejemplo, gasolina) dentro o cerca de este o cualquier otro artefacto. Además, mantenga cualquier artículo que pueda explotar, como, por ejemplo, latas de aerosol, alejado de los quemadores de la cocina, del horno y de la campana extractora. No almacene materiales explosivos o inflamables en áreas o alacenas cercanas.
- Si no sigue con exactitud la información de este manual, podrían producirse un incendio o descarga eléctrica, daños a la propiedad, lesiones personales o la muerte.
- **No utilice un dispositivo adicional de control de velocidad con esta unidad.**
- **Para evitar daños en los rodamientos del motor y rotores ruidosos y/o desequilibrados, mantenga la unidad de potencia alejada de polvo de construcción, de yeso, etc.**
- **El motor del ventilador cuenta con una protección de sobrecarga térmica que apagará automáticamente el motor en caso de que este se sobrecaliente. El motor volverá a arrancar cuando se enfríe. Si el motor continúa apagándose y reiniciándose, se le debe realizar mantenimiento al producto.**
- **PARA REDUCIR EL RIESGO DE INCENDIO, DESCARGAS ELÉCTRICAS O LESIONES PERSONALES, TENGA EN CUENTA LO SIGUIENTE:**
 - Use esta unidad solamente del modo previsto por el fabricante. Si tiene alguna pregunta, póngase en contacto con el fabricante.
 - Antes de limpiar o realizarle mantenimiento a la unidad, apáguela desde el panel de servicio y bloquee la puerta del panel eléctrico para evitar que la unidad se encienda por accidente. En caso de que la puerta del panel eléctrico no se pueda bloquear, coloque un dispositivo de advertencia bien visible y firmemente sujeto, como, por ejemplo, una etiqueta, en el panel de servicio.

⚠️ ADVERTENCIA**• PARA REDUCIR EL RIESGO DE INCENDIO, DESCARGAS ELÉCTRICAS O LESIONES PERSONALES, TENGA EN CUENTA LO SIGUIENTE:**

- El trabajo de instalación y el cableado eléctrico deben ser realizados por personal calificado en conformidad con todos los códigos y las normas aplicables, incluso respecto a construcciones a prueba de fuego.
- Se necesita aire suficiente para que la combustión y el escape de gases se realicen de manera correcta a través del conducto (chimenea) del equipo que quema combustible a fin de prevenir el tiro invertido. Siga las instrucciones del fabricante del equipo de calefacción y las medidas de seguridad, tales como las publicadas por la Asociación Nacional de Protección contra Incendios (NFPA, por sus siglas en inglés), la Sociedad Americana de Aire Acondicionado, Refrigeración y Calefacción (ASHRAE, por sus siglas en inglés) y las autoridades locales.
- Al cortar o perforar la pared o el cielorraso, no dañe el cableado eléctrico ni otros pasos de servicios que estén ocultos.
- Los ventiladores con conductos siempre deben tener salida al exterior.

⚠️ PRECAUCIÓN

Solo para uso de ventilación general. No lo utilice para la extracción de materiales y vapores peligrosos o explosivos.

PRECAUCIONES GENERALES DE SEGURIDAD

Para reducir el riesgo de incendio, descargas eléctricas, lesiones graves o muerte al usar este equipo, siga las precauciones de seguridad básicas, incluidas las siguientes:

⚠️ ADVERTENCIA

- No instale ni utilice la campana si se ha dañado, caído, se han dañado los cables eléctricos o si no está funcionando correctamente. Si el producto está dañado cuando lo recibe, póngase en contacto inmediatamente con el distribuidor o constructor.
- Esta campana extractora debe ser instalada y conectada a tierra de acuerdo con las instrucciones de instalación por un instalador calificado.
- Instale o coloque este aparato siguiendo solamente estas instrucciones de instalación y los requisitos especificados por el fabricante de la cocina o de la superficie de cocción. La instalación, los ajustes, las modificaciones, las reparaciones y el mantenimiento mal realizados pueden causar lesiones personales graves o daños materiales.
- El cliente no debe instalar, reparar ni reemplazar ninguna pieza de la campana extractora, salvo que esto se recomiende específicamente en la documentación suministrada. Toda otra tarea de mantenimiento debe ser realizada por un técnico calificado.
- Mantenga todos los envoltorios alejados de los niños. Las bolsas plásticas pueden causar asfixia.
- No use un cable de extensión ni un adaptador con este artefacto.
- El instalador debe mostrar al cliente la ubicación del panel de interruptores de circuitos o la caja de fusibles para que el cliente sepa dónde y cómo cortar la energía.
- Antes de instalar o realizarle mantenimiento a la campana extractora, apáguela desde el interruptor de circuitos de la caja de fusibles y bloquee la puerta del panel eléctrico para evitar que la unidad se encienda por accidente. En caso de que el panel del panel eléctrico no se pueda bloquear, coloque un dispositivo de advertencia bien visible y firmemente sujeto, como, por ejemplo, una etiqueta, en el panel eléctrico.



ADVERTENCIA

- Lea el manual del propietario por completo antes de usar el aparato. Limpie el aparato solamente como se indica en el manual del propietario. Use únicamente los productos de limpieza especificados.
- No manipule indebidamente los controles.
- Nunca permita que el/los filtro(s) se bloquee(n) u obstruya(n). No permita que objetos extraños, tales como cigarrillos o servilletas, sean aspirados por la campana.
- Limpie con frecuencia los filtros y todas las superficies que se cubren de grasa para evitar que se produzcan incendios y para mantener el rendimiento.
- Si la cocina y la campana extractora se encuentran cerca de una ventana, asegúrese de que la ventana cumpla con las condiciones adecuadas. Evite que la ventana tenga cortinas largas u otras cubiertas que podrían volar sobre la superficie de cocción y la campana, ya que esto puede significar un riesgo de incendio.
- Siempre ponga en funcionamiento el/los ventilador(es) cuando esté utilizando la superficie de cocción.
- Nunca deje la cocina o la superficie de cocción sin vigilancia cuando un quemador (u hornalla) esté siendo utilizado. Los derramamientos por ebullición o los derrames de grasa pueden emitir humo y/o arder.
- No deje niños solos o sin vigilancia en el área donde se estén utilizando la superficie de cocción y la campana extractora. Nunca permita que los niños se sienten en un artefacto o se suban a él. No permita que los niños jueguen con una cocina, una superficie de cocción o una campana extractora. No almacene artículos de interés para los niños encima o alrededor de la superficie de cocción, la cocina o la campana extractora.
- La distancia vertical mínima entre la superficie de la cocina y la parte exterior de la campana no debe ser menor de 26" (66 cm). La distancia vertical puede tener que ser mayor según la cocina o la superficie de cocción que se esté utilizando. Consulte las instrucciones de instalación de la cocina o la superficie de cocción para conocer la distancia mínima y máxima vertical desde el artefacto que se utilice.
- **PARA REDUCIR EL RIESGO DE INCENDIO, UTILICE SOLAMENTE CONDUCTOS DE METAL.**

LEA Y GUARDE ESTAS INSTRUCCIONES

ESPECIFICACIONES DEL PRODUCTO

Especificaciones generales

Todos los modelos

Velocidades del ventilador	5
Filtros	Filtros de malla de aluminio
Carga total de conexión	120 V CA, 60 Hz, 4 A.
Luces	120 V CA, tira de luces LED de 8 W

Características específicas del modelo

Número de modelo	LSHD3689BD, LSHD3680ST, LSHD3089BD, LSHD3080ST
Filtros	2

Especificaciones de peso

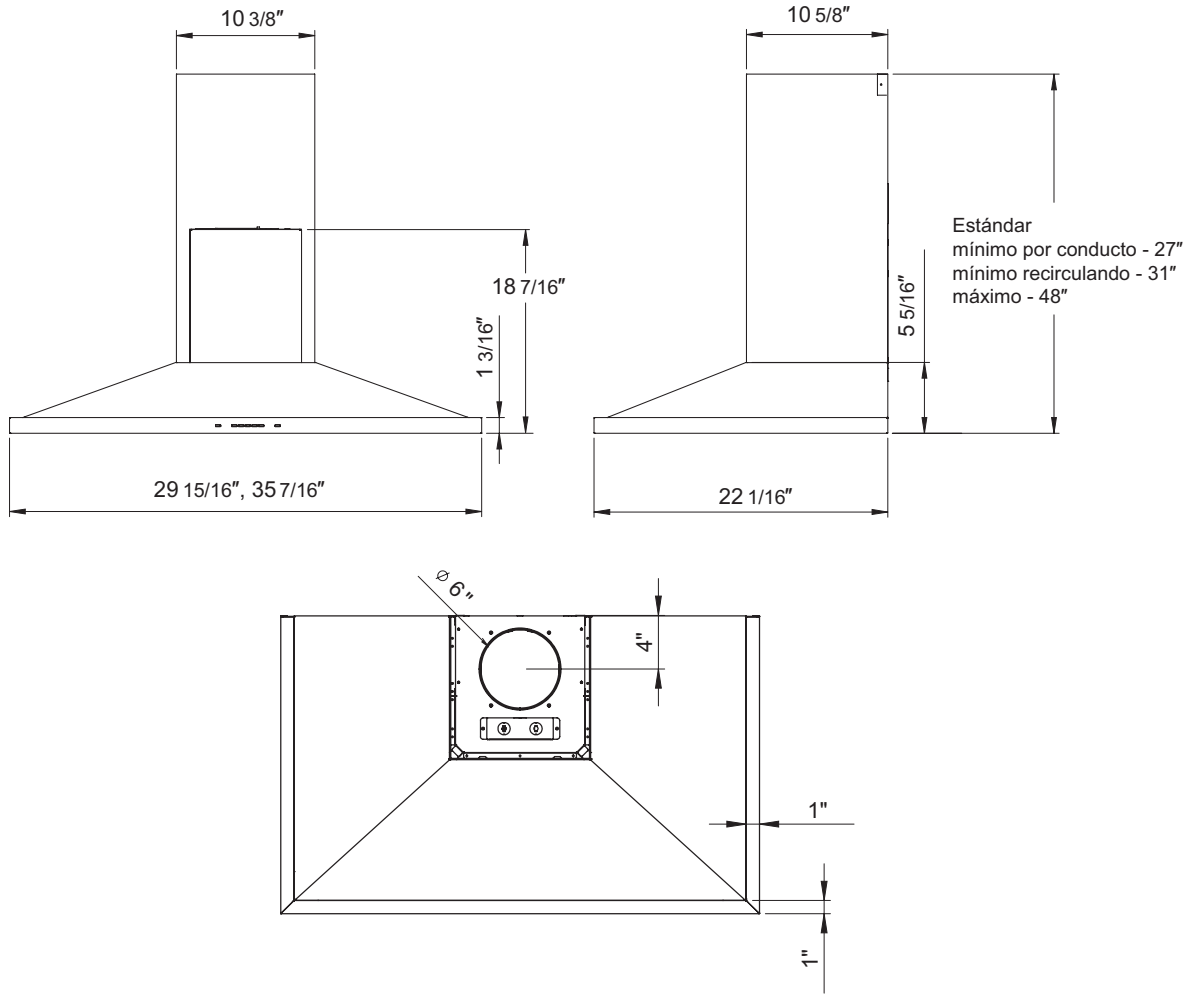
Número de modelo	Peso
LSHD3689BD, LSHD3680ST	37 lb (17 kg)
LSHD3089BD, LSHD3080ST	35 lb (16 kg)

Dimensiones

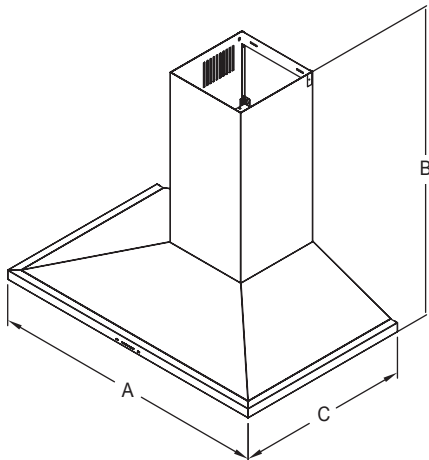
Tolerancias: +1/16", -0 (1.6 mm, -0), a menos que se especifique lo contrario.

NOTA

El/los conducto(s) de escape y el cableado eléctrico se pueden conectar desde la parte superior o posterior de la campana.



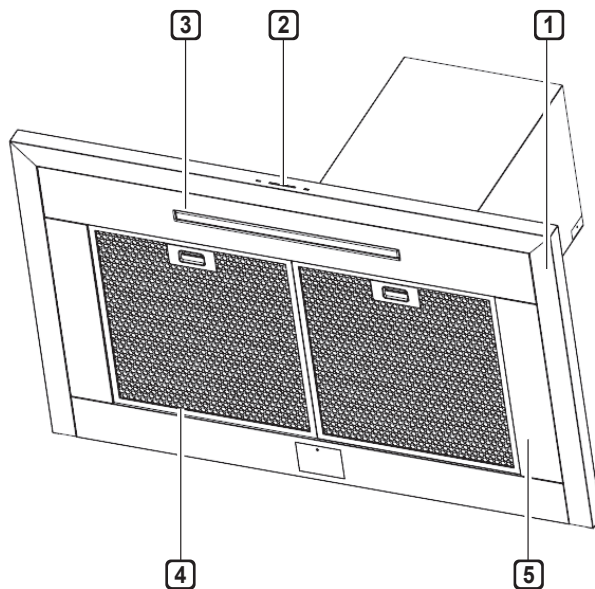
Dimensiones generales



Modelo	A	B	C
LSHD3689BD, LSHD3680ST	30"	$26 \frac{15}{16}''$	$22 \frac{1}{16}''$
LSHD3089BD, LSHD3080ST	36"	$26 \frac{15}{16}''$	$22 \frac{1}{16}''$

DESCRIPCIÓN GENERAL DEL PRODUCTO

Piezas



1 Campana

2 Panel de control táctil con iconos

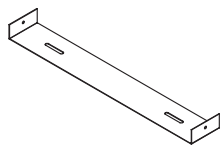
3 Luz led

4 Filtros de malla

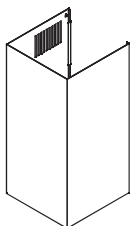
5 Panel lateral (solo para LSHD3689BD, LSHD3680ST)

Lista de piezas

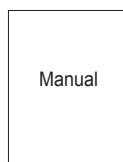
Accesorios incluidos



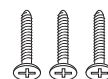
Soporte de cubierta de conducto



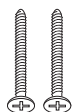
Cubierta de conducto



Manual



M6 x 1" (3)



M6 x 1-1/2" (2)



M4 x 8 (2)



Remates para cables (3)

PLANIFICACIÓN DE LA INSTALACIÓN



ADVERTENCIA

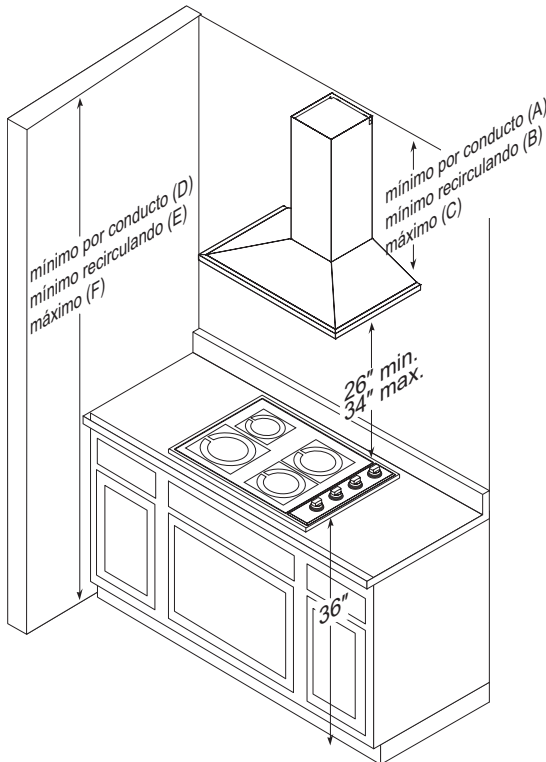
Respete todos los códigos y las ordenanzas vigentes durante la planificación y la instalación. Póngase en contacto con el departamento de construcción de su localidad para obtener más información. Utilice solamente conductos considerados aceptables por las normas estatales, municipales y locales.

Disposición de alacenas



ADVERTENCIA

Para reducir el riesgo de daños personales causados por estirar el cuerpo sobre un artefacto caliente, debe evitarse usar el espacio de almacenamiento de la alacena ubicada justo encima de la cocina.



Ancho mínimo de la alacena

		Cubierta de conducto estándar
Campana Alturas	mínimo por conducto (A)	27"
	mínimo recirculando (B)	31"
	máximo (C)	48-1/2"
Techo Alturas	mínimo por conducto (D)	89" (7' 5")
	mínimo recirculando (E)	93" (7' 9")
	máximo (F)	118" (9' 10")

Conducto

Debe utilizarse un conducto redondo de 6" como mínimo para mantener una eficiencia de flujo de aire máxima.

Utilice siempre conductos de metal solamente. Los conductos flexibles podrían restringir el flujo de aire en hasta un 50 %.

Utilice un cálculo (en la página 12) para calcular el conducto total disponible cuando se utilicen codos, transiciones y casquetes.

SIEMPRE, cuando sea posible, reduzca el número de transiciones y giros. Si se requiere un conducto largo, aumente el tamaño del conducto de 6" a 7" o 8".

Si se requieren giros o transiciones, instálelas tan lejos como sea posible de la salida del conducto a la campana y tan separados como sea posible.

La altura de montaje mínima entre la placa y la parte inferior de la campana no debería ser inferior a 26".

La altura máxima de montaje no debería ser superior a las 34".

Es importante instalar la campana a una altura de montaje adecuada. Instalar la campana demasiado bajo podría resultar en daños por calor y riesgo de fuego. Si se monta demasiado alta, será difícil llegar a ella y se reduce su rendimiento y eficiencia.

Si está disponible, consulte los requisitos de espacio de altura del fabricante de la placa y la altura recomendada de montaje de la campana sobre la placa.



PRECAUCIÓN

DAÑOS DURANTE EL ENVÍO/INSTALACIÓN:

- Inspeccione la unidad en busca de daños antes de la instalación.
- Si la unidad se daña durante en transporte, devuelva la unidad a la tienda donde la compró para su reparación o sustitución.
- Si la unidad ha sido dañada por el cliente, la reparación o sustitución de la misma es responsabilidad del cliente.
- Si la unidad ha sido dañada por el instalador (si es distinto al cliente), la reparación o sustitución debe realizarse mediante acuerdo entre el cliente y el instalador.

Opciones de conducto

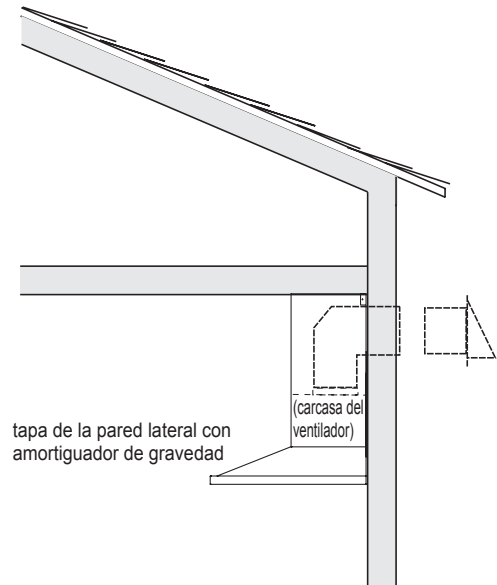
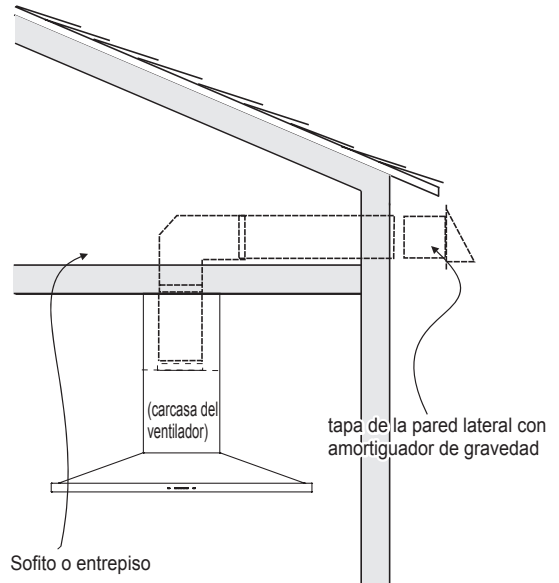
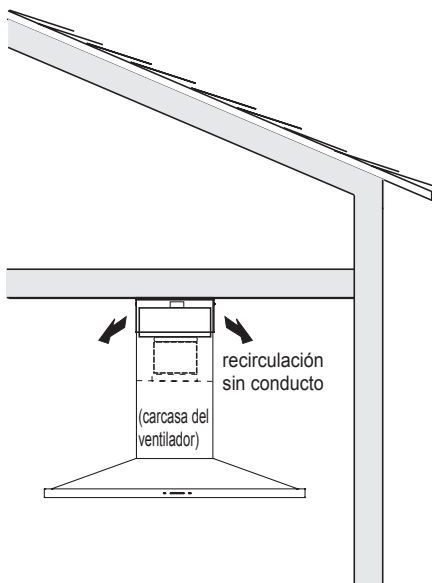
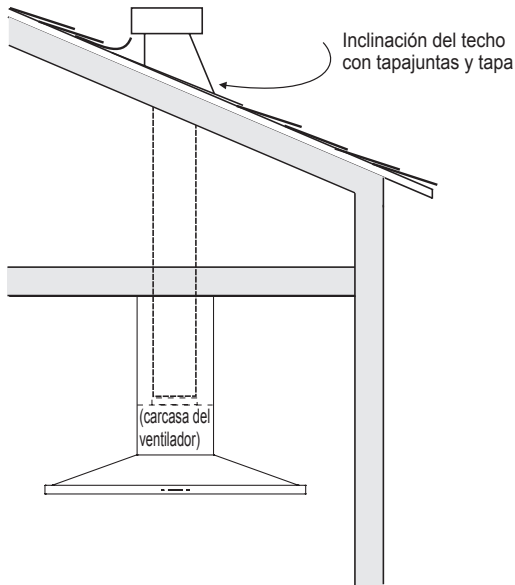


ADVERTENCIA



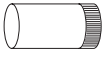
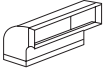
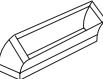
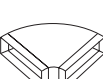

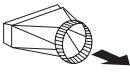
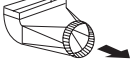


Riesgo de fuego

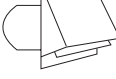

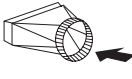
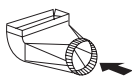


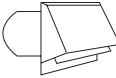


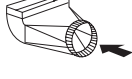
- NUNCA extraiga aire o termine el conducto en espacios entre paredes, espacios angostos, techos, áticos o garajes.
- Toda la extracción debe realizarse al exterior.
- Utilice únicamente conductos de metal.
- Fije todas las conexiones con tornillos para metal y cubra todas las juntas con cinta plateada o cinta de conducto certificada.

Ejemplos de opciones de conducto



Hoja de cálculo de conducto

Piezas de conducto		Longitud equivalente x número usado =	Total
	Rectangular, recto 3-1/4" x 10"	1 Ft. x () =	Ft.
	6" redondo, recto	1 Ft. x () =	Ft.
	7"-10" redondo, recto	1 Ft. x () =	Ft.
	3-1/4" x 10" rectangular, codo de 90°	15 Ft. x () =	Ft.
	3-1/4" x 10" Rectangular, codo de 45°	9 Ft. x () =	Ft.
	3-1/4" x 10" Rectangular, codo plano de 90°	24 Ft. x () =	Ft.
	3-1/4" x 10" Rect. Tope de pared con compuerta	30 Ft. x () =	Ft.
	3-1/4" x 10" Rect. transición redonda de 6"	5 Ft. x () =	Ft.
	3-1/4" x 10" Rect. transición redonda de 6" codo de 90°	20 Ft. x () =	Ft.
	6" redondo, codo de 90°	15 Ft. x () =	Ft.
	6" redondo, codo de 45°	9 Ft. x () =	Ft.
Subtotal columna 1 =			Ft.

Piezas de conducto		Longitud equivalente x número usado =	Total
	6" tope de pared redondo con compuerta	30 Ft. x () =	Ft.
	6" redondo, tope de tejado	30 Ft. x () =	Ft.
	6" redondo para transición rectangular 3-1/4" x 10"	1 Ft. x () =	Ft.
	6" redondo para transición rectangular, 3-1/4" x 10" codo de 90°	16 Ft. x () =	Ft.
	7" - 10" redondo, codo de 90°	15 Ft. x () =	Ft.
	7" - 10" redondo, codo de 45°	9 Ft. x () =	Ft.
	7" - 10" Tope de pared redondo con apertura	30 Ft. x () =	Ft.
	7" - 10" redondo, tope de tejado	30 Ft. x () =	Ft.
	7" redondo a transición rectangular 3-1/4" x 10"	8 Ft. x () =	Ft.
	7" round to 3-1/4" x 10" rect. transition 90° elbow	23 Ft. x () =	Ft.
Subtotal columna 2 =			Ft.
Subtotal columna 1 =			Ft.
Total conducto =			Ft.

Longitud máx. del conducto: Para un movimiento de aire satisfactorio, la longitud total del conducto no debería superar el equivalente a 100 pies.

Consejos para el diseño del conducto

Siempre que sea posible, reduzca el número de transiciones y curvas al menor número de ángulos agudos que sea posible. Dos instancias de ángulos de 45° son mejores que una de 90°.

Las curvas deben encontrarse tan lejos del escape de la campana como sea posible y debe permitirse todo el espacio que sea posible entre las curvas.

Para un mejor rendimiento, utilice conductos redondos en lugar de rectangulares, especialmente cuando se necesiten codos.

Si se utilizan varios codos, trate de mantener un mínimo de 24" de conducto recto entre ellos.

Evite el uso de codos adyacentes en "S" o pegados.

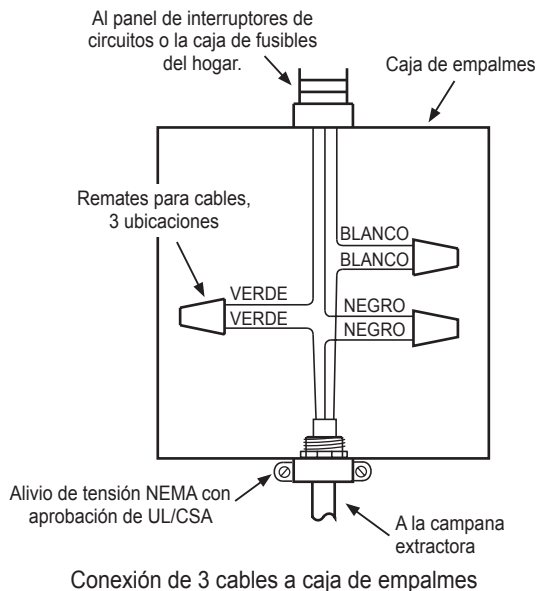
En las regiones donde el clima sea extremadamente frío, utilice barreras térmicas, como una sección corta de conducto no metálico, para evitar la pérdida de calor del interior. Ubique la barrera lo más cerca posible del punto de paso al exterior.

No utilice conductos de metal flexible.

No use conductos que sean más pequeños en el área de la sección transversal que los tipos recomendados anteriormente.

Suministro eléctrico

Este aparato requiere un suministro eléctrico de 120V 60Hz, y debe conectarse a un circuito ramal con una conexión a tierra adecuada, protegido por un interruptor de circuitos de 15 o 20 amperios o un fusible de acción retardada. El cableado debe ser un cable de 2 cables con tierra. Consulte la etiqueta Diagrama eléctrico en el producto.



Suministro de energía

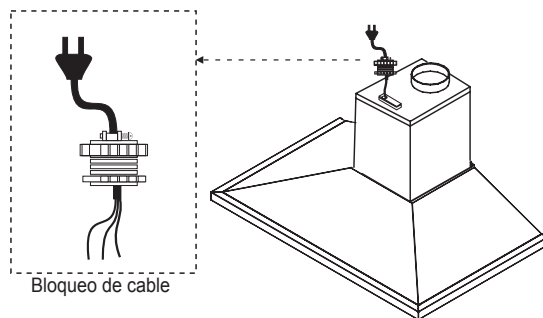


ADVERTENCIA

- La información de este manual se debe seguir exactamente. Si no lo hace, podría provocar un incendio o una descarga eléctrica, causando daños a la propiedad, lesiones personales o la muerte.
- **Todo el trabajo eléctrico debe ser realizado por un electricista cualificado o una persona con conocimiento y experiencia técnica similar.**
- Para su seguridad persona, extraiga el fusible o abra el interruptor de circuitos antes de comenzar la instalación. No utilice un extensor de cables o enchufe adaptador con este aparato.
- **Siga los códigos eléctricos nacionales o los códigos y ordenanzas locales.**

Bloqueo de cable

Las ordenanzas locales pueden requerir un conector de bloqueo de cable (no suministrado). Consulte los requisitos y ordenanzas locales y compre e instale el conector apropiado si es necesario.



Verifique el contenido del embalaje

Desembale la caja y verifique que todas las piezas y accesorios están incluidos. Si falta algún elemento o está dañado, contacte con el distribuidor de inmediato. No instale un aparato dañado o incompleto.

Asegúrese de que tiene todo lo necesario para la instalación.

INSTRUCCIONES DE INSTALACIÓN



ADVERTENCIA

- No instale la campana extractora, a menos que el suministro de energía eléctrica del domicilio cumpla con las especificaciones de la campana.
- Respete todos los códigos y las ordenanzas vigentes durante la instalación. Póngase en contacto con el departamento de construcción de su localidad para obtener más información.
- La instalación de este artefacto empotrable debe ser realizada por un técnico calificado. Hace falta más de una persona para levantar la campana en su lugar. El propietario es responsable de que la campana se instale correctamente.

Montar la campana extractora

Montaje bajo un mueble de cocina



PRECAUCIÓN

Se requieren al menos dos instaladores debido al peso y al tamaño de la campana.

- 1 Mida desde la parte superior de la campana hasta la parte inferior deseada y marque la línea A. (Mínimo 26" desde la parte superior de la campana).
- 2 Compruebe el nivel y marque la línea central.
- 3 Marque la línea de altura de la campana B. (18-7/16" desde la línea A)
- 4 Marque la extensión de montaje desde la línea central. (8-7/8" en la línea B)
- 5 Atornille (2) tornillos M4 x 1-1/2" en el entramado en la línea B pero no apriete completamente.

NOTA

Puede ser necesario añadir refuerzos de madera detrás de los paneles de yeso si no hay entramado presente. También pueden utilizarse anclajes de pared pero consulte los códigos locales para asegurar la conformidad. El no utilizar anclajes y tornillos adecuados para la pared para soportar el peso de la campana podría resultar en daños personales o daños a la superficie de cocción o la encimera.

- 6 Extraiga los (2) filtros de malla de aluminio.

- 7 Coloque la campana sobre los tornillos de montaje y apriete manualmente cada tornillo. (Fig. A1)
Asegure el tercer tornillo M4 x 1-1/2" a través del interior de la campana en la pared para conseguir soporte extra (Fig. A2)
- 8 Centre y fije el soporte de montaje de la cubierta del conducto a la pared justo por debajo del techo o soffito usando (2) tornillos M4 x 1".
- 9 Instale el sistema eléctrico y los conductos. Selle los conductos con cinta para conductos de aluminio.
- 10 Encienda la campana y compruebe que no haya fugas alrededor de la cinta para conductos.
- 11 Coloque cubiertas de cubierta de conducto telescópicas sobre la campana y extienda la cubierta de conducto interior (superior) hacia arriba y fije al soporte de la cubierta de conducto usando (2) tornillos M4 x 8. Vuelva a instalar los filtros de malla.

- Si se utiliza la campana en modo recirculación, debe fijar la placa desviadora de aire sobre la pared antes de instalar los conductos y las cubiertas de conducto. Deberá instalar además filtros de carbón y soportes.

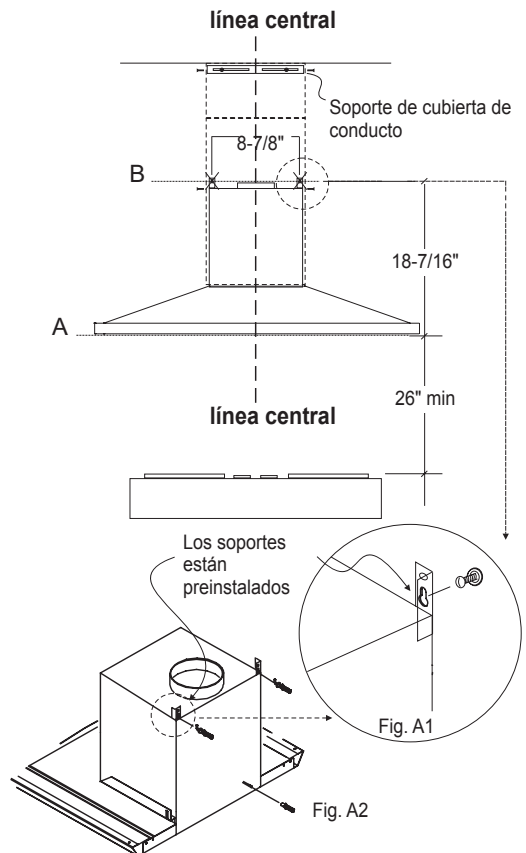
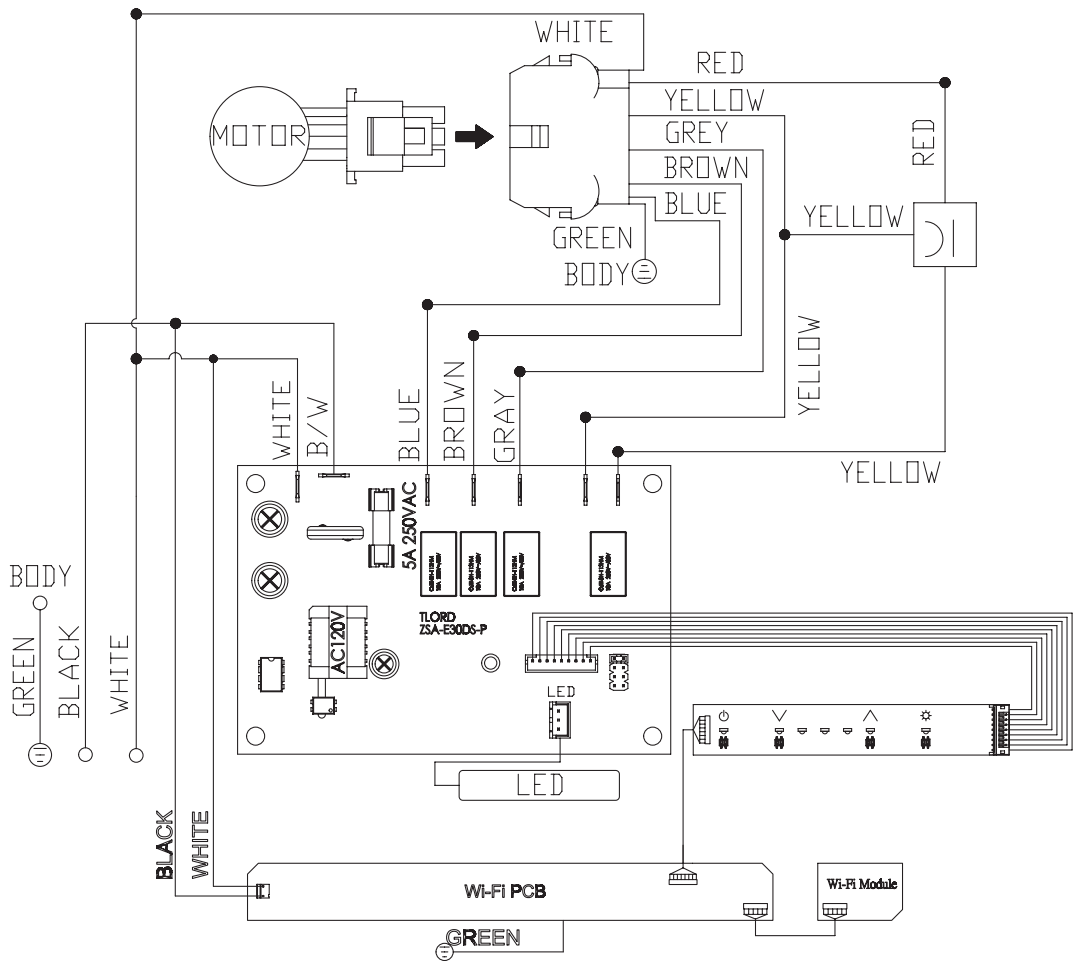


DIAGRAMA DE CABLEADO

Modelos	Voltios	Hz	Amps Max.
LSHD3089BD LSHD3080ST LSHD3689BD LSHD3680ST	120	60	4

ESPANOL



REMARKS:CONDENSER 12.5+12.5µF 250VAC FIT AC120V 60Hz



LG Customer Information Center

1-800-243-0000 USA

Register your product Online!

www.lg.com