



OWNER'S MANUAL

FRENCH DOOR REFRIGERATOR

Read this owner's manual thoroughly before operating the appliance and keep it handy for reference at all times.

ENGLISH

LRFDS3006*/LRFVS3006*/LRFVC2406*/LRFXC2406*/
LRFDS3016*/LRFXC2416*/LRFDC2406*



MFL69497034
Rev.00_012320

www.lg.com

Copyright © 2020 LG Electronics Inc. All Rights Reserved.

TABLE OF CONTENTS

3 SAFETY INSTRUCTIONS

- 3 READ ALL INSTRUCTIONS BEFORE USE
- 3 WARNING
- 6 CAUTION

7 PRODUCT OVERVIEW

- 7 Product Features

11 INSTALLATION

- 11 Before Installing
- 12 Choosing the Proper Location
- 14 Removing/Assembling the Handles
- 15 Removing/Assembling the Doors and Drawers
- 19 Connecting the Water Line
- 23 Leveling and Door Alignment
- 24 Turning on the Power

25 OPERATION

- 25 Before Use
- 26 Control Panel
- 28 Sabbath Mode
- 28 Ice and Water Dispenser
- 29 Ice Compartment
- 30 Automatic Icemaker
- 32 Storing Food
- 33 Humidity Controlled Crispers
- 34 Glide'N'Serve
- 34 Refrigerator Shelves
- 35 Door-in-Door
- 37 Door Bins
- 37 Durabase

38 SMART FUNCTIONS

- 38 LG ThinQ Application
- 40 Smart Grid Function
- 41 Smart Diagnosis™ Feature

43 MAINTENANCE

- 43 Cleaning
- 43 Air Filter
- 44 Water Filter

48 TROUBLESHOOTING

- 48 FAQs
- 49 Before Calling for Service

59 LIMITED WARRANTY

- 59 For USA
- 63 For Canada

SAFETY INSTRUCTIONS

READ ALL INSTRUCTIONS BEFORE USE

Safety Messages

Your safety and the safety of others are very important.

We have provided many important safety messages in this manual and on your appliance. Always read and follow all safety messages.



This is the safety alert symbol.

This symbol alerts you to potential hazards that can kill or injure you and others. All safety messages will follow the safety alert symbol and either the word **WARNING** or **CAUTION**.

These words mean:



WARNING

You may be killed or seriously injured if you do not follow instructions.



CAUTION

You may be injured or cause damage to the product if you do not follow instructions.

All safety messages will tell you what the potential hazard is, tell you how to reduce the chance of injury, and tell you what may happen if the instructions are not followed.

WARNING



WARNING

- To reduce the risk of explosion, fire, death, electric shock, scalding or injury to persons when using this product, follow basic precautions, including the following:

Installation

- To reduce the risk of injury to persons, adhere to all industry recommended safety procedures including the use of long-sleeved gloves and safety glasses.
- Never attempt to operate this appliance if it is damaged, malfunctioning, partially disassembled, or has missing or broken parts, including a damaged cord or plug.
- Only connect this product to a dedicated grounded electrical outlet rated for use with this product (115 V, 60 Hz, AC only). It is the user's responsibility to replace a standard 2-prong wall outlet with a standard 3-prong wall outlet.
- Do not use an outlet that can be turned off with a switch. Do not use an extension cord.
- The appliance must be positioned for easy access to a power source.
- When moving the refrigerator, be careful not to roll over or damage the power cord.
- Contact an authorized service center when installing or relocating the refrigerator.
- Do not, under any circumstances, cut or remove the third (ground) prong from the power cord.
- Keep packing materials out of the reach of children. Packaging material can be dangerous for children. There is a risk of suffocation.
- Do not install the refrigerator in a damp or dusty place where insulation on electrical parts may deteriorate.
- Do not place the refrigerator in direct sunlight or expose it to the heat from heating appliances such as stoves or heaters.

4 SAFETY INSTRUCTIONS

- Do not bend or pinch the power cord excessively or place heavy objects on it.

Operation

- This appliance is intended to be used in household and similar applications such as :
 - staff kitchen areas in shops, offices and other working environments;
 - farm houses and by clients in hotels, motels and other residential type environments;
 - bed and breakfast type environments;
 - catering and similar non-retail applications.
- This product is not to be used for special purposes such as the storage of medicine or test materials or for use on ships, etc.
- DO NOT allow children to climb, stand, or hang on the refrigerator doors or on the shelves in the refrigerator. They could damage the refrigerator and seriously injure themselves.
- Do not allow children to climb into the refrigerator. They could be trapped and suffocated.
- Children should be supervised to ensure that they do not play with the refrigerator.
- Keep fingers out of pinch point areas; clearances between the doors and cabinets are necessarily small. Be careful closing doors when children are nearby.
- Do not touch frozen food or the metal parts in the freezer compartment with wet or damp hands. Doing so may cause frostbite.
- Do not refreeze frozen food that has thawed completely. Doing so may result in a serious health hazard.
- Do not use an adapter plug or plug the power plug into a multi-outlet extension cord.
- If the supply cord is damaged, it must be replaced by the manufacturer or its service agent or a similarly qualified person in order to avoid a hazard.
- Do not operate the refrigerator or touch the power cord with wet hands.
- Do not modify or extend the power cord.
- Do not use an uncertified power outlet. Do not plug appliance into a damaged wall outlet.
- Do not put hands, feet or other objects into the air vents or bottom of the refrigerator. Doing so could result in personal injury or electric shock.
- In the event of a gas leak (propane/LPG), ensure the area is adequately ventilated and contact an authorized service center before resuming use. Do not touch the refrigerator or power cord of the refrigerator.
- Disconnect the power cord immediately and contact an authorized service center if there is a strange noise, odor, or smoke coming from the appliance.
- Do not use any fuse (such as copper, steel wire, etc.) other than a standard fuse.
- Do not place or use an electrical appliance inside the refrigerator, unless it is of a type recommended by the manufacturer.
- Do not put animals inside the appliance.
- Do not place heavy or fragile objects, liquid filled containers, combustible substances, or flammable objects (such as candles and lamps) on the appliance.
- Avoid contact with any moving parts of the ejector mechanism or with the heater that releases the ice cubes.
- If connected to a circuit protected by fuses, use time delay fuse.
- Keep ventilation openings, in the appliance enclosure or in the built-in structure, clear of obstruction.
- Do not use mechanical devices or other means to accelerate the defrosting process, other than those recommended by the manufacturer.
- Do not use electrical appliances inside the food storage compartments of the appliance, unless they are of the type recommended by the manufacturer.
- Do not store explosive substances such as aerosol cans with a flammable propellant in this appliance.

- DO NOT place fingers in the automatic icemaker when the refrigerator is plugged in.
- When dispensing ice from the dispenser, do not use a fragile container.

Maintenance

- Do not use a hair dryer to dry the inside of the refrigerator.
- Do not light a candle to remove odors in the refrigerator.
- In the event of a refrigerant leak, move flammable objects away from the refrigerator. Ensure the area is adequately ventilated and contact an authorized service center.
- Keep flammable materials and vapors, such as gasoline, away from the refrigerator.
- This appliance is not intended for use by persons (including children) with reduced physical, sensory or mental capabilities, or lack of experience and knowledge, unless they have been given supervision or instruction concerning use of the appliance by a person responsible for their safety.
- Unplug the power plug before cleaning or repairing the refrigerator.
- The refrigerator and freezer compartment lights are interior LED lighting, and service should be performed by a qualified technician.
- Unplug the power plug immediately in the event of a blackout or thunderstorm.
- Turn the power off if water or dust penetrates into the refrigerator. Call a service agent.
- Do not store glass containers or soda in the freezer compartment. Contents may expand when frozen, break the container and cause injury.
- Do not store, disassemble or repair the appliance yourself or allow unqualified personnel to do so.

Disposal

- Junked or abandoned refrigerators are dangerous, even if they are sitting for only a few days. When disposing of the refrigerator, remove the packing materials from the door or take off the doors but leave the shelves in place so that children may not easily climb inside.
- If disposing of a refrigerator, make sure the refrigerant and insulation foam are removed for proper disposal by a qualified servicer. If you release the refrigerant or throw away the insulation foam, you may be fined or imprisoned in accordance with the relevant environmental law. Insulation foam contains flammable blowing gas.
- When discarding the appliance, remove the door gasket while leaving the shelves and baskets in place, and keep children away from the appliance.

Grounding Instructions

- Improper connection of the equipment-grounding conductor can result in a risk of electric shock. Check with a qualified electrician or service personnel if you are in doubt whether the appliance is properly grounded. Do not modify the plug provided with the appliance; if it will not fit the outlet, have a proper outlet installed by a qualified electrician.
- Have a certified electrician check the wall outlet and wiring for proper grounding.
- Never unplug the appliance by pulling on the power cord. Always grip the plug firmly and pull straight out from the outlet. Failure to do so may damage the power cord, resulting in a risk of fire and electric shock.

Risk of Fire and Flammable Materials



This appliance contains a small amount of isobutane refrigerant (R600a), which is combustible. When transporting and installing the appliance, care should be taken to ensure that no parts of the refrigerating circuit are damaged. Refrigerant squirting out of the pipes could ignite or cause an eye injury. If a leak is detected, avoid any naked flames or potential sources of ignition and air the room in which the appliance is standing for several minutes.

In order to avoid the creation of a flammable gas air mixture if a leak in the refrigerating circuit occurs, the size of the room in which the appliance may be sited depends on the amount of refrigerant used. The room must be 10.8 square feet (1 square meter) in size for every 8g of R600a refrigerant inside the appliance. The amount of refrigerant in your particular appliance is shown on the identification plate inside the appliance. Never start up an appliance showing any signs of damage. If in doubt, consult your dealer.

CAUTION

CAUTION

- To reduce the risk of minor or moderate injury to persons, malfunction, or damage to the product or property when using this product, follow basic precautions, including the following:
-

Installation

- Do not install the refrigerator where there may be a danger of the unit falling.
- The refrigerator must be properly installed in accordance with the Installation Instructions.

Operation

- Do not use aerosols near the refrigerator.
- This appliance is intended to be used only in domestic and similar applications.
- Do not strike or apply excessive force to any glass surface. Do not touch glass surfaces if they are cracked or broken.
- Do not overfill or pack items too tightly into door bins. Doing so may cause damage to the bin or personal injury if items are removed with excessive force.
- Do not hang on to or place heavy objects on the refrigerator's dispenser.

Maintenance

- Do not use strong detergents like wax or thinners for cleaning. Clean with a soft cloth.
- Remove foreign objects (such as dust and water) off the prongs of the power plug and contact areas. Do not use a wet or damp cloth when cleaning the plug.
- Do not spray water directly on the inside or outside of the refrigerator.
- Do not clean glass shelves or covers with warm water when they are cold. They may break if exposed to sudden temperature changes.

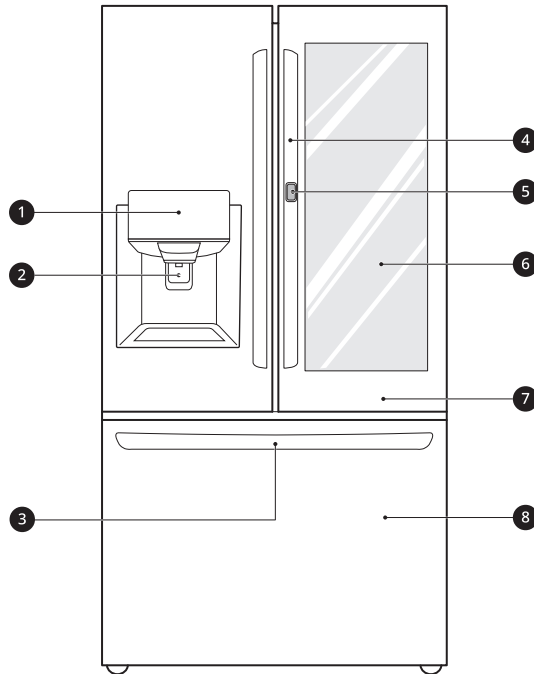
SAVE THESE INSTRUCTIONS

PRODUCT OVERVIEW

Product Features

The images in this guide may be different from the actual components and accessories, which are subject to change by the manufacturer without prior notice for product improvement purposes.

Exterior



1 Control Panel

Sets the refrigerator temperature and freezer temperature, the water filter condition and the dispenser mode.

2 Filtered Water and Ice Dispenser

Dispenses purified water and ice.

3 SmartPull™ Handle

Easily opens the freezer door.

4 Handle

Opens and closes the refrigerator door.

5 Door Button†

Opens the Door-in-Door Compartment.

6 InstaView Door-in-Door†

The InstaView Door-in-Door compartment allows for easy access to commonly used food items.

7 Refrigerator

Fresh food compartment

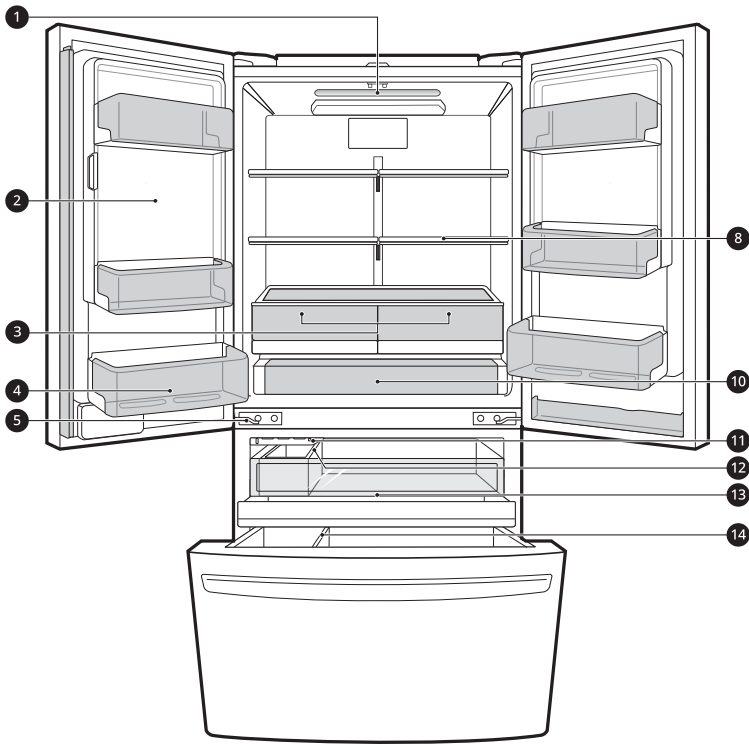
8 Freezer

Frozen food compartment

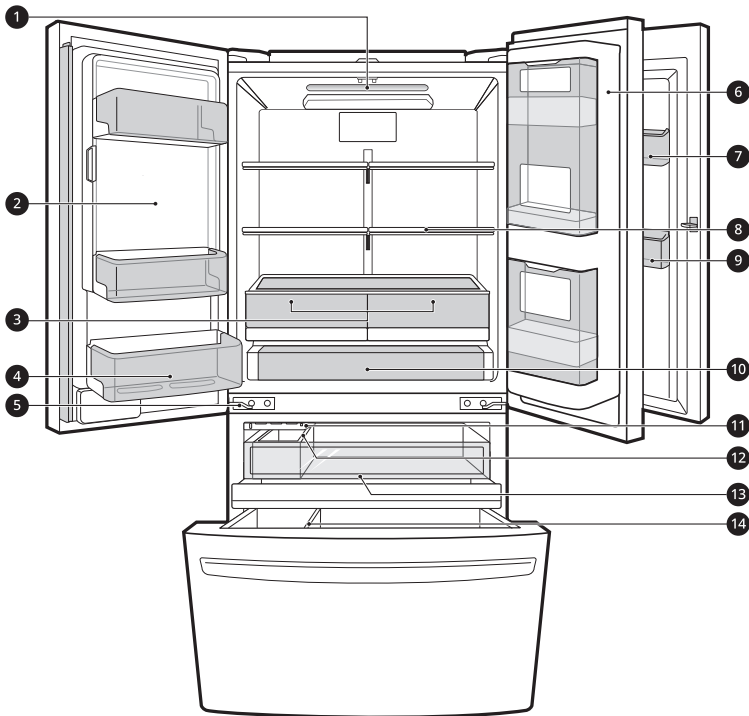
† This feature is only available on some models.

Interior

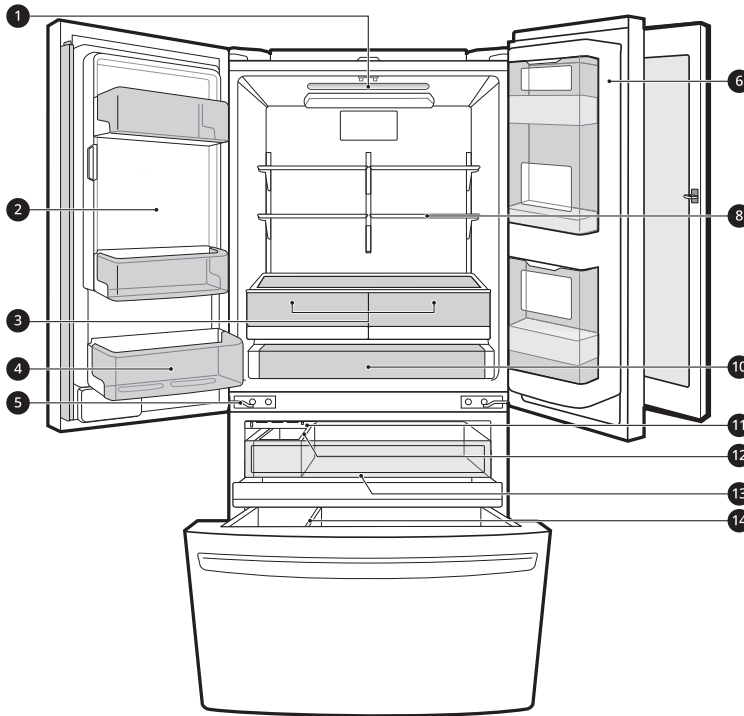
Standard Door: LRFXC2406*/LRFXC2416*



Door-in-Door: LRFDS3006*/LRFDS3016*/LRFDC2406*



InstaView Door-in-Door: LRFVS3006*/LRFVC2406*



1 LED interior lamps

Light up the inside of the refrigerator.

2 In-Door Icemaker (Refrigerator)

This is where ice is automatically produced and stored.

3 Humidity Controlled Crisper

Helps vegetables and fruit to stay crisp and controls humidity.

4 Fixed Door Bin

Store chilled food or drinks.

5 Auto-Closing Hinge

The refrigerator doors and freezer drawers close automatically when pushed slightly. (The door only closes automatically when it is open at an angle of less than 30°.)

6 Door-in-Door Case

A convenient storage area for frequently-used items that require easy access.

7 Cheese & Butter and Condiment Bins

Cheese & Butter and Condiment bins are specially designed for these items, making spreading butter and slicing cheese easier.

8 Adjustable Refrigerator Shelf

The refrigerator shelves are adjustable to meet individual storage needs.

9 Modular Door Bin

Interchangeable bins can be arranged to suit storage needs.

10 PRODUCT OVERVIEW

10 Glide'N'Serve

Store food items at a different temperature than the regular refrigerator area.

11 Automatic Icemaker (Freezer)

Dispenses ice automatically.

12 Ice Bin

The ice is automatically produced by the icemaker in the freezer and stored in an ice bin in the freezer.

13 Pullout Drawer

Provides extra storage within the freezer compartment.

14 Durabase and Durabase Divider

Provides storage for large food items.

Product Specifications

The appearance and specifications listed in this manual may vary due to constant product improvements.

Electrical requirements: 115 V, 60 Hz

Min. / Max. water pressure: 20 - 120 psi (138 - 827 kPa)

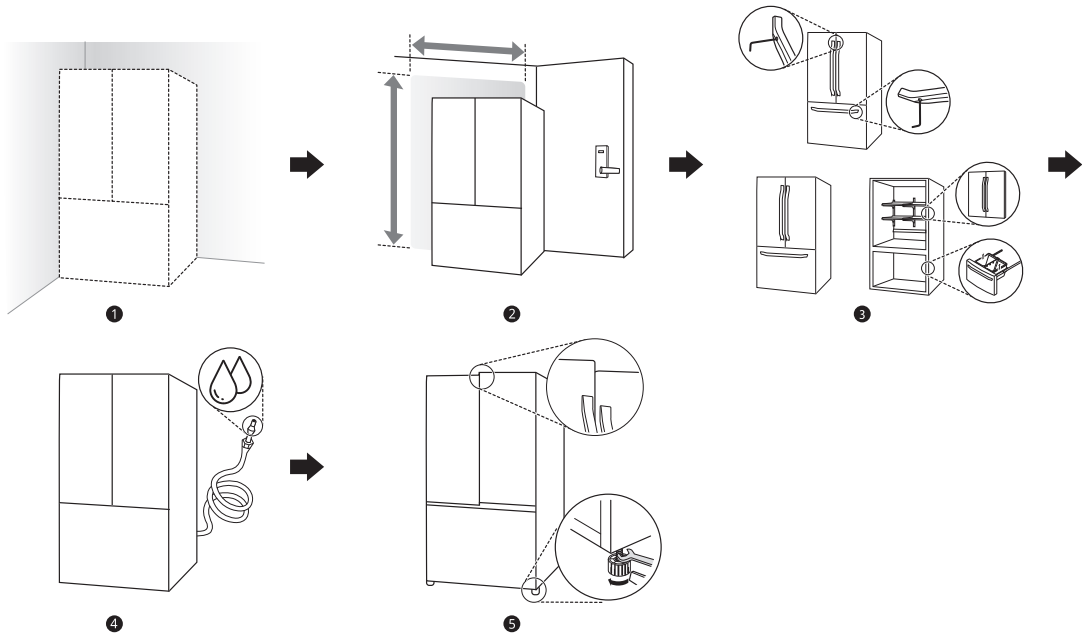
Model	Description	Net weight
LRFDS3006*	Standard-depth, Door-in-Door French Door Refrigerator, Bottom Freezer	331 lb (150 kg)
LRFDS3016*	Standard-depth, Door-in-Door French Door Refrigerator, Bottom Freezer, Craft Ice	331 lb (150 kg)
LRFVS3006*	Standard-depth, InstaView Door-in-Door French Door Refrigerator, Bottom Freezer, Craft Ice	342 lb (155 kg)
LRFXC2406*	Counter-depth, French Door Refrigerator, Bottom Freezer	276 lb (125 kg)
LRFXC2416*	Counter-depth, French Door Refrigerator, Bottom Freezer, Craft Ice	276 lb (125 kg)
LRFDC2406*	Counter-depth, Door-in-Door French Door Refrigerator, Bottom Freezer, Craft Ice	300 lb (136 kg)
LRFVC2406*	Counter-depth, InstaView Door-in-Door French Door Refrigerator, Bottom Freezer, Craft Ice	311 lb (141 kg)

INSTALLATION

Before Installing

Installation Overview

Please read the following installation instructions first after purchasing this product or transporting it to another location.



- ❶ Unpacking the Refrigerator
- ❷ Choosing the Proper Location
- ❸ Disassembling/Assembling
- ❹ Connecting the Water Line
- ❺ Leveling and Door Alignment

⚠ WARNING

- Connect to potable water supply only.

Unpacking the Refrigerator

WARNING

- Use two or more people to move and install the refrigerator. Failure to do so can result in back injury or other injury.
 - The refrigerator is heavy. Protect the floor when moving the refrigerator for cleaning or service. Always pull the refrigerator straight out when moving it. Do not wiggle or walk the refrigerator when trying to move it, as floor damage could occur.
 - Keep flammable materials and vapors, such as gasoline, away from the refrigerator. Failure to do so can result in fire, explosion, or death.
-

NOTE

- Remove tape and any temporary labels from your refrigerator before using. Do not remove any warning labels, the model and serial number label, or the Tech Sheet that is located under the front of the refrigerator.
 - To remove any remaining tape or glue, rub the area briskly with your thumb. Tape or glue residue can also be easily removed by rubbing a small amount of liquid dish soap over the adhesive with your fingers. Wipe with warm water and dry.
 - Do not use sharp instruments, rubbing alcohol, flammable fluids, or abrasive cleaners to remove tape or glue. These products can damage the surface of your refrigerator.
 - Reinstall or adjust shelves as needed. Refrigerator shelves are installed in the shipping position. Reinstall shelves according to your individual storage needs.
-

Choosing the Proper Location

Water

Must be located where a water supply can be connected for the automatic icemaker.

NOTE

- The water pressure must be 20 - 120 psi or 138 - 827 kPa or 1.4 - 8.4 kgf/cm². If the refrigerator is installed in an area with low water pressure (below 20 psi or 138 kPa or 1.4 kgf/cm²), you can install a booster pump to compensate for the low pressure.
-

Electricity

Use an individual, grounded outlet: 115 Volts, 60 Hz, AC, 15 Amps minimum.

WARNING

- Do not overload house wiring and cause a fire hazard by plugging in multiple appliances in the same outlet with the refrigerator.
 - To reduce the risk of electric shock, do not install the refrigerator in a wet or damp area.
-

Flooring

To avoid noise and vibration, the unit must be installed and leveled on a solidly constructed floor. If required, adjust the leveling legs to compensate for the unevenness of the floor.

NOTE

- Installing on carpeting, soft tile surfaces, a platform or weakly supported structure is not recommended.
-

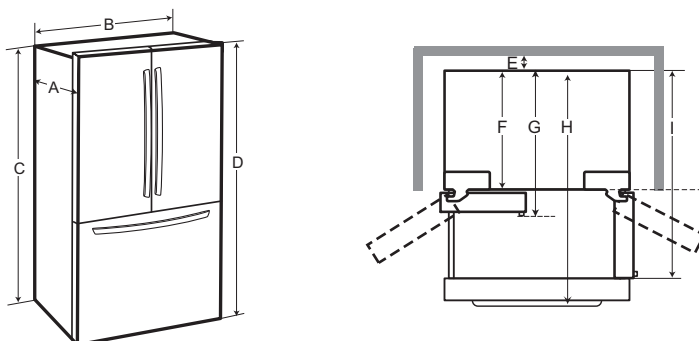
Ambient Temperature

Install this appliance in an area where the temperature is between 55 °F (13 °C) and 110 °F (43 °C).

If the temperature around the appliance is too low or high, cooling ability may be adversely affected.

Dimensions and Clearances

- Check the dimensions of the appliance and the installation path to ensure there is sufficient room to move the refrigerator through doors or narrow openings.
- If an opening is too narrow to fit the refrigerator through, remove the refrigerator doors. See Removing/Assembling the Doors and Drawers in this manual.
- The installation location chosen for the refrigerator should allow space behind the unit for connections and airflow and space in front to open the doors and drawers.
- Too small of a distance from adjacent items may result in lowered freezing capability and increased electricity consumption charges. Allow at least 24 inches (610 mm) in front of the refrigerator to open the doors, and at least 2 inches (50.8 mm) between the back of the refrigerator and the wall.



-	Dimension/Clearance	LRFVS3006*/LRFDS3006*/ LRFDS3016*	LRFVC2406*/ LRFXC2406*/ LRFXC2416*/ LRFDC2406*
A	Depth without Handle	34 1/8" (866 mm)	28 1/4" (718 mm)
B	Width	35 3/4" (908 mm)	35 3/4" (908 mm)
C	Height to Top of Case	68 7/8" (1750 mm)	68 7/8" (1750 mm)
D	Height to Top of Hinge	70 1/4" (1785 mm)	70 1/4" (1785 mm)
E	Back Clearance	2" (50 mm)	2" (50 mm)
F	Depth without Door	29 7/8" (758 mm)	24" (610 mm)
G	Depth with Handle	36 5/8" (929 mm)	30 3/4" (781 mm)
H	Depth (Total with Freezer Drawer Open)	57 23/32" (1466 mm)	47 1/4" (1200 mm)
I	Depth (Total with Door Open 90°)	42 5/8" (1231 mm)	42 5/8" (1083 mm)

Removing/Assembling the Handles

When moving the refrigerator through a narrow opening, removing the doors is preferred.

The appearance of the handles may vary from what is shown.

⚠ WARNING

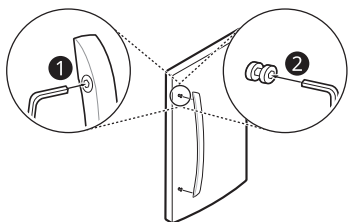
- When assembling or disassembling the refrigerator handles, grasp the handle firmly to avoid dropping it.
- Do not swing the handle into nearby people or animals.
- Make sure that the bracket hole of the handle fits properly into the stopper bolt of the door. Assemble the set screws to fix the handle into place.
- Make sure that there is not a gap between the door and handle after assembling the handle.

Tools Needed

- 3/32 in. Allen wrench
- 1/8 in. Allen wrench
- 1/4 in. Allen wrench

Removing the Refrigerator Handles

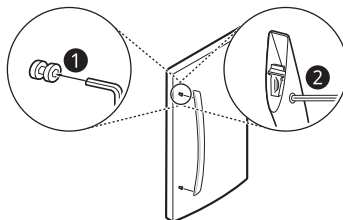
- 1 Loosen the set screws ❶ with a 3/32 in. Allen wrench and remove the handle.
- 2 Loosen the mounting fasteners ❷ that connect to the refrigerator door and handle using a 1/4 in. Allen wrench, and remove the mounting fasteners.



Assembling the Refrigerator Handles

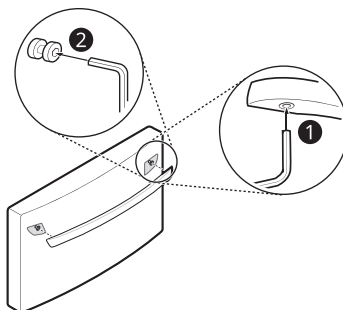
- 1 Assemble the mounting fasteners ❶ at both ends of the handle with a 1/4 in. Allen wrench.
- 2 Place the handle on the door by fitting the handle footprints over the mounting

fasteners and tightening the set screws ❷ with a 3/32 in. Allen wrench.



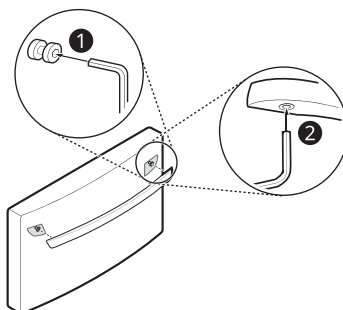
Removing the Freezer Drawer Handle

- 1 Loosen the set screws ❶ located on the lower side of the handle with a 1/8 in. Allen wrench and remove the handle.
- 2 Loosen the mounting fasteners ❷ with a 1/4 in. Allen wrench, and remove the mounting fasteners.



Assembling the Freezer Drawer Handle

- 1 Assemble the mounting fasteners ❶ at both ends of the handle with a 1/4 in. Allen wrench.
- 2 Place the handle on the door by fitting the handle footprints over the mounting fasteners and tightening the set screws ❷ with a 1/8 in. Allen wrench.



Removing/Assembling the Doors and Drawers

If the entrance door is too narrow for the refrigerator to pass through, remove the refrigerator doors and move the refrigerator sideways through the doorway.

⚠ WARNING

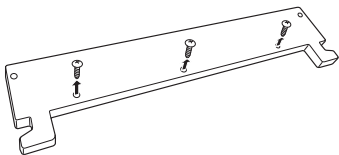
- Use two or more people to remove and install the refrigerator doors and freezer drawer.
- Disconnect the electrical supply to the refrigerator before installing.
- Do not put hands, feet or other objects into the air vents or bottom of the refrigerator.
- Be careful when handling the hinge and stopper.
- Remove food and bins before detaching the doors and drawers.
- Do not hold the handle when removing or replacing the doors and drawer as the handle may come off.

Tools Needed

- 3/32 in. Allen wrench
- 1/8 in. Allen wrench
- 1/4 in. Allen wrench

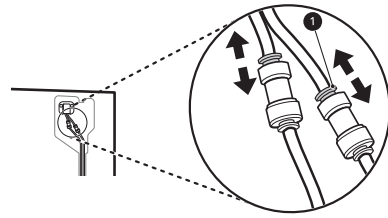
Removing the Hinge Cover

Remove the screws from the hinge cover at the top of the refrigerator. Lift the hook (not visible), located at the bottom of the front side of the cover with a flat-head screwdriver.



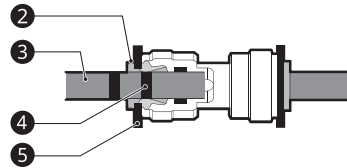
Removing the Left Refrigerator Door

- 1 The water supply is connected to the upper right part of the rear surface of the refrigerator. Remove the clip in the joint area. Hold the water supply connection and gently push the collet 1 to detach the water supply line as shown.



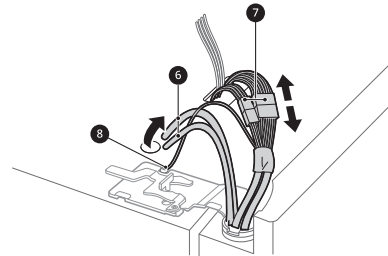
NOTE

- Disassembling/Assembling the Water Lines



2 Collet 3 Tube 4 Insert line 5 Clip

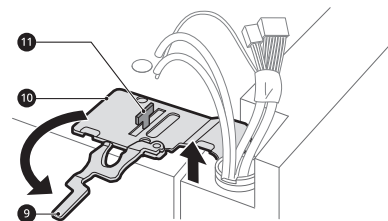
- 2 Pull out the water supply lines 6. Disconnect all the wire harnesses 7. Unscrew the ground wire 8.



- 3 Rotate the hinge lever 9 counterclockwise. Lift the top hinge 10 free of the hinge lever latch 11.

⚠ CAUTION

- When lifting the hinge free of the latch, be careful that the door does not fall forward.

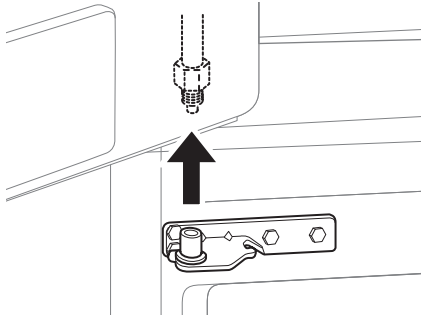


16 INSTALLATION

- 4 Lift the door from the middle hinge pin and remove the door.

⚠ CAUTION

- Place the door, inside facing up, on a nonscratching surface.

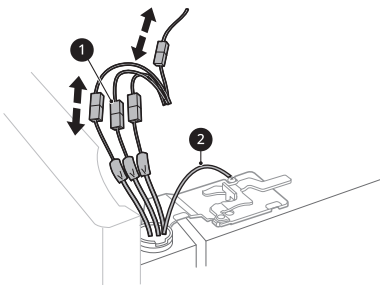


Removing the Right Refrigerator Door

- 1 Detach all the wire harnesses ①. Unscrew the ground wire ②.

NOTE

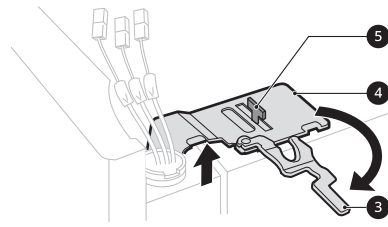
- The number of wire harnesses may vary depending on the model.
- Ground wire is only present on some models.



- 2 Rotate the hinge lever ③ clockwise. Lift the top hinge ④ free of the hinge lever latch ⑤.

⚠ CAUTION

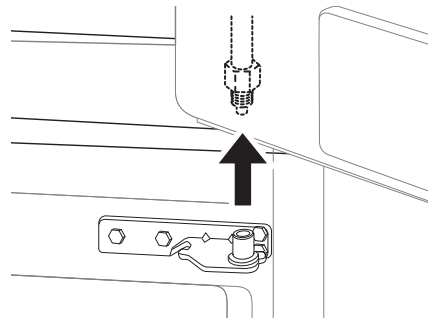
- When lifting the hinge free of the latch, be careful that the door does not fall forward.



- 3 Lift the door from the middle hinge pin and remove the door.

⚠ CAUTION

- Place the door, inside facing up, on a nonscratching surface.



Removing the Freezer Drawers

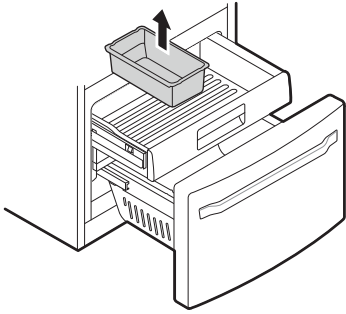
The Pullout Drawer located above the freezer drawer is not shown for clarity.

⚠ WARNING

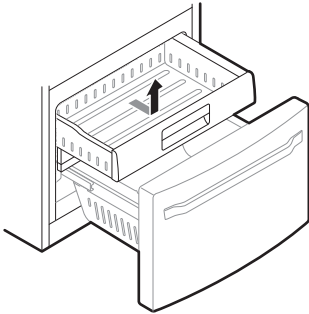
- Use two or more people to remove and install the refrigerator doors and freezer drawer.
- Be careful of sharp hinges on both sides of the drawer.
- When you lay the drawer down, be careful not to damage the floor.
- Do not sit or stand on the freezer drawer.
- To prevent accidents, keep children and pets away from the drawer. Do not leave the drawer open. If the Durabase® storage bin is removed from the freezer drawer, there is sufficient space for a small child or pet to crawl inside.

- 1 Pull the drawer open to full extension.

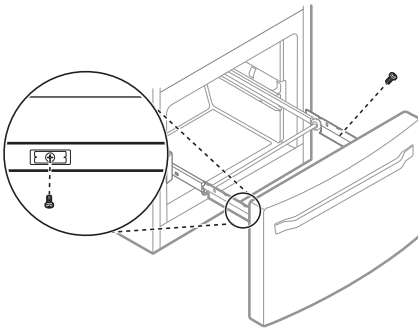
- 2 Gently lift and pull out the ice bin.



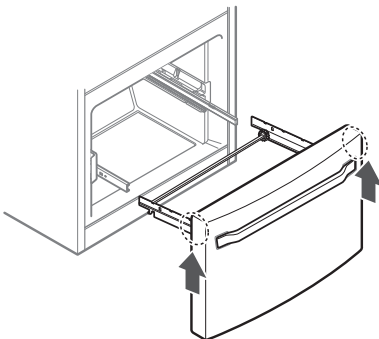
- 3** Lift the front of the drawer up, then pull it straight out.



- 4** Remove the Durabase basket from the rails. Remove the screws from the rails at both ends.



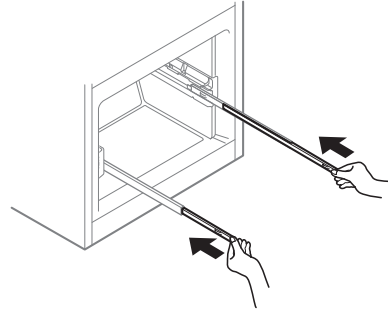
- 5** Grip both sides of the drawer and pull it up to remove it from the rails.



CAUTION

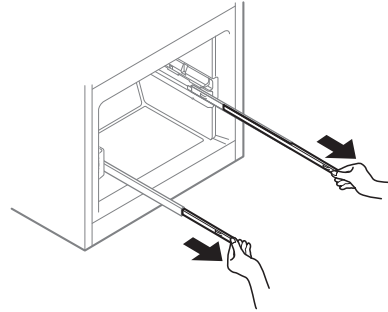
- Do not hold the handle when removing or replacing the drawer. The handle may come off, causing personal injury.

- 6** Hold both rails and push them in simultaneously.

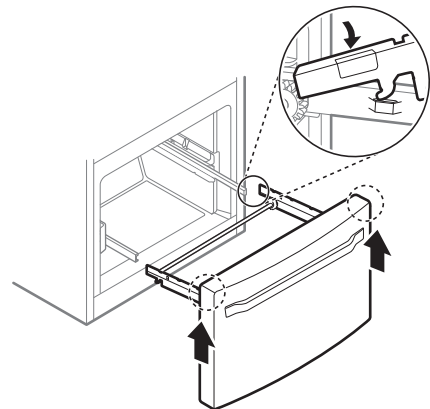


Assembling the Freezer Drawer

- 1** Pull out both rails simultaneously, until they are fully extended.



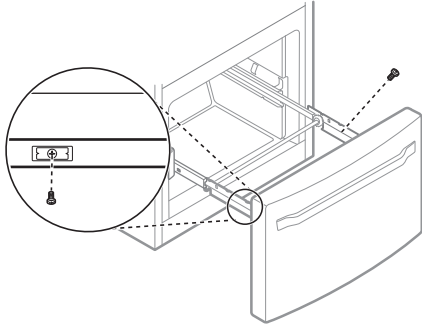
- 2** Grasp the drawer on each side and hook the drawer supports into the rail tabs located on both sides.



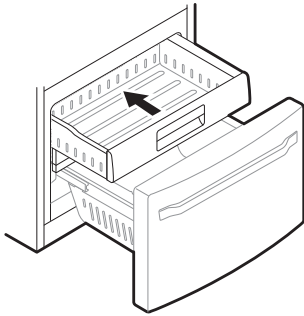
⚠ CAUTION

- Do not hold the handle when removing or replacing the drawer. The handle may come off, causing personal injury.

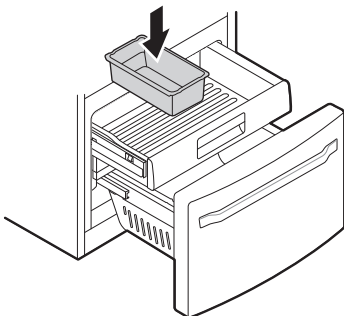
- 3** Lower the door into its final position and insert the screws in the rails on both sides.



- 4** Insert the drawer into the frame, and push the drawer back until it clicks into place.



- 5** Replace the ice bin in the drawer. Insert the Durabase basket in the rail assembly.

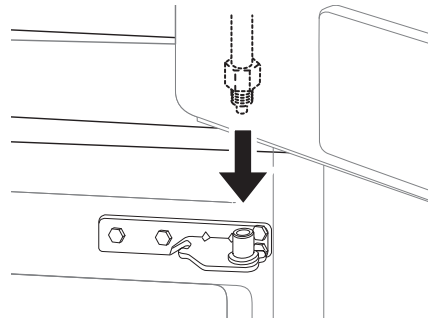


Assembling the Right Refrigerator Door

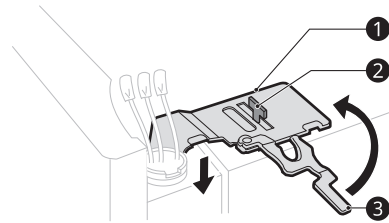
⚠ CAUTION

- Install the right-side door first.

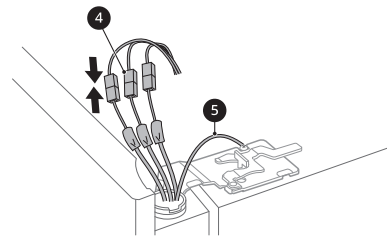
- 1** Make sure that the plastic sleeve is inserted in the bottom of the door. Lower the door onto the middle hinge pin as shown in the figure.



- 2** Fit the hinge **1** over the hinge lever latch **2** and slot it into place. Rotate the lever **3** counterclockwise to secure the hinge.



- 3** Connect all the wire harnesses **4**. Screw in the ground wire **5**.



NOTE

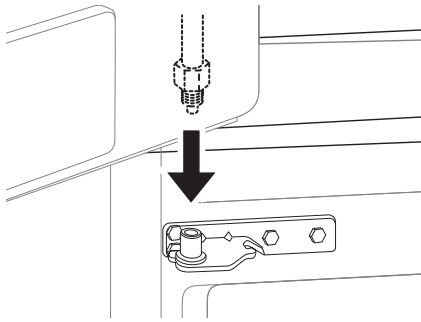
- The number of wire harnesses may vary depending on the model.
- Ground wire is only present on some models.

Assembling the Left Refrigerator Door

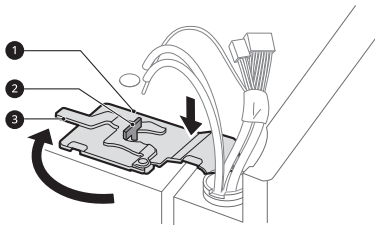
⚠ CAUTION

- Install the left refrigerator door after the right door is installed.

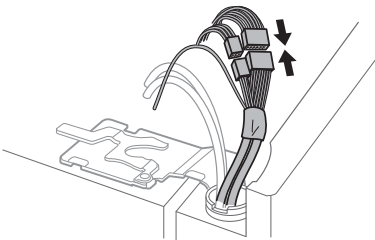
- 1 Make sure that the plastic sleeve is inserted in the bottom of the door. Install the refrigerator door onto the middle hinge.



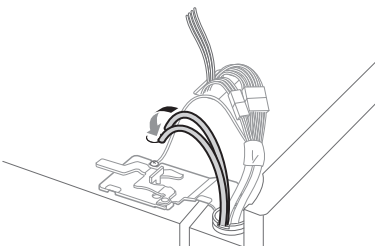
- 2 Fit the hinge ① over the hinge lever latch ② and slot it into place. Rotate the lever ③ clockwise and fasten the hinge.



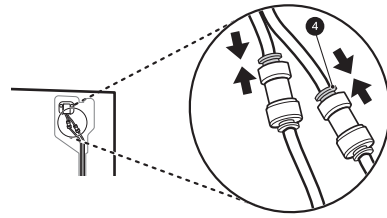
- 3 Connect all the wire harnesses and the ground screw.



- 4 Push the water supply lines into the hole on the top case and pull it through the backplate.

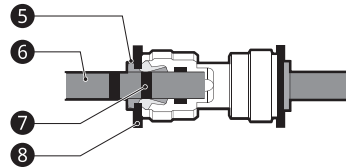


- 5 Hold the water supply connection and gently push in the collet ④ to connect the water supply line as shown. Insert the tube at least 5/8 inch (15 mm) into the connector. Insert the clip on the joint to fasten the tube in place.



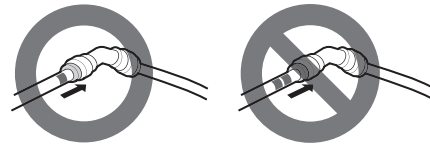
NOTE

- Disassembling/Assembling the Water Lines



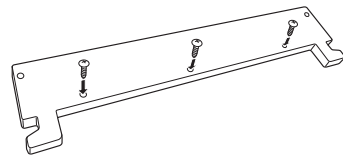
- ⑤ Collet ⑥ Tube ⑦ Insert line ⑧ Clip

- Gently press the collet and insert the tube until only one line shows on the tube.



Assembling the Hinge Cover

Position the hinge cover in its place. Insert and tighten the cover screws.



Connecting the Water Line

Before Beginning

This water line installation is not covered by the refrigerator warranty. Follow these instructions carefully to minimize the risk of expensive water damage.

If necessary, call a qualified plumber to correct water hammer before installing the water supply line to the refrigerator. Water banging in the pipes, or water hammer in residential plumbing can cause damage to refrigerator parts and lead to water leakage or flooding.

- Turn the icemaker OFF if the refrigerator will be used before the water line is connected.

20 INSTALLATION

- Do not install the icemaker tubing in areas where the ambient temperatures fall below freezing.

⚠ WARNING

- Connect to potable water supply only.

⚠ CAUTION

- To prevent burns and product damage, only connect the refrigerator water line to a cold water supply.
- Wear eye protection during installation to prevent injury.

Water Pressure

You will need a cold water supply.

Water Pressure

- **models with water filter:**
 - 20 - 120 psi (138 - 827 kPa)
- **where reverse osmosis water filtration system is connected to a cold water supply:**
 - 40 - 60 psi minimum to reverse osmosis system (2.8 kgf/cm² - 4.2 kgf/cm², or less than 2 - 3 seconds to fill a cup of 7 oz capacity)

If the water pressure from the reverse osmosis system is less than 20 psi or 138 kPa or 1.4 kgf/cm² (takes more than 4 seconds to fill a cup of 7 oz or 198 cc capacity):

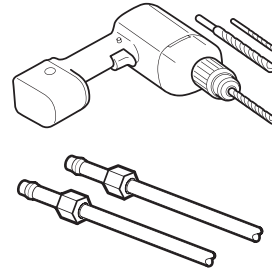
- Check to see if the sediment filter in the reverse osmosis system is blocked. Replace the filter if necessary.
- Allow the storage tank on the reverse osmosis system to refill after heavy usage.
- If the water pressure remains low, call a licensed, qualified plumber.
- All installations must be in accordance with local plumbing code requirements.

Supplies Needed

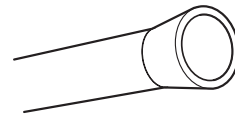
- **Copper or PEX Tubing**, ¼ in. outer diameter, to connect the refrigerator to the water supply. Be sure both ends of the tubing are cut square. To determine how much tubing you need, measure the distance from the water valve on the back of the refrigerator to the water supply pipe. Then, add 8 feet (2.4 m). Be sure there is sufficient extra tubing (about 8 feet [2.4 m] coiled into 3

turns of about 10 in. [25 cm] diameter) to allow the refrigerator to move out from the wall after installation.

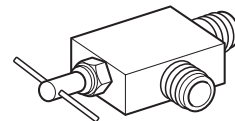
- **Power drill.**
- **½ in. or adjustable wrench.**
- **Flat-blade and Phillips-head screwdrivers.**
- **Two ¼ in. outer diameter compression nuts and 2 ferrules (sleeves)** to connect the copper tubing to the shutoff valve and the refrigerator water valve.



- If your existing copper water line has a flared fitting at the end, purchase an adapter (available at plumbing supply stores) to connect the water line to the refrigerator OR cut off the flared fitting with a tube cutter and then use a compression fitting.



- Shutoff valve to connect to the cold water line. The shutoff valve should have a water inlet with a minimum inside diameter of 5/32 in. at the point of connection to the COLD WATER LINE. Saddle-type shutoff valves are included in many water supply kits. Before purchasing, make sure a saddle-type valve complies with your local plumbing codes.



NOTE

- A self-piercing saddle type water valve should not be used.

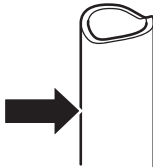
Water Line Installation Instructions

Install the shutoff valve on the nearest frequently used drinking water line.

⚠ WARNING

- When using any electrical device (such as a power drill) during installation, be sure the device is battery-powered, double-insulated or grounded in a manner that will prevent the hazard of electric shock.

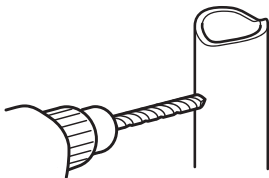
- 1 Shut off the main water supply.
 - Turn on the nearest faucet to relieve the pressure on the line.
- 2 Choose the valve location.
 - Choose a location for the valve that is easily accessible. It is best to connect into the side of a vertical water pipe. When it is necessary to connect into a horizontal water pipe, make the connection to the top or side, rather than at the bottom, to avoid drawing off any sediment from the water pipe.



- 3 Drill the hole for the valve.
 - Drill a 1/4 in. hole in the water pipe using a sharp bit. Remove any burrs resulting from drilling the hole in the pipe. Be careful not to allow water to drain into the drill. Failure to drill a 1/4 in. hole may result in reduced ice production or smaller cubes.

NOTE

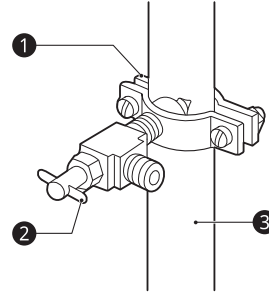
- The hookup line cannot be white, plastic tubing. Licensed plumbers must use only copper tubing (NDA tubing #49595 or #49599) or Cross Link Polyethylene (PEX) tubing.



- 4 Fasten the shutoff valve.
 - Fasten the shutoff valve to the cold water pipe with the pipe clamp.

NOTE

- Commonwealth of Massachusetts Plumbing Codes 248CMR shall be adhered to. Saddle valves are illegal and use is not permitted in Massachusetts. Consult with your licensed plumber.

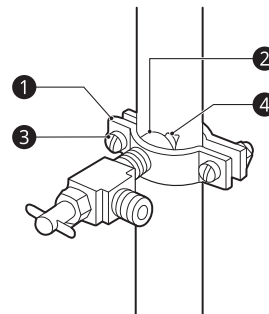


- 1 Pipe Clamp
- 2 Saddle-Type Shutoff Valve
- 3 Vertical Cold Water Pipe

- 5 Tighten the pipe clamp.
 - Tighten the clamp screws until the sealing washer begins to swell.

NOTE

- Do not over tighten clamp or you may crush the tubing.



- 1 Pipe Clamp
- 2 Inlet End
- 3 Clamp Screw
- 4 Washer

- 6 Route the tubing.
 - Route the tubing between the cold water line and the refrigerator. Route the tubing through a hole drilled in the wall or floor

22 INSTALLATION

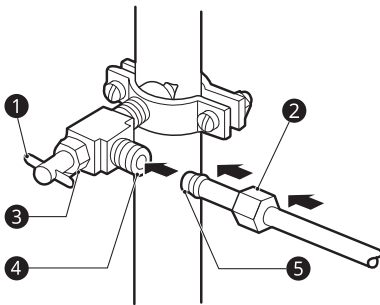
(behind the refrigerator or adjacent base cabinet) as close to the wall as possible.

NOTE

- Be sure there is sufficient extra tubing (about 8 ft. coiled into three turns of about 10 in. diameter) to allow the refrigerator to move out from the wall after installation.

7 Connect the tubing to the valve.

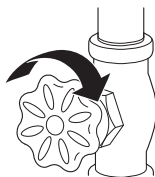
- Place the compression nut and ferrule (sleeve) for copper tubing onto the end of the tubing and connect it to the shutoff valve. Make sure the tubing is fully inserted into the valve. Tighten the compression nut securely.



- ❶ Saddle-Type Shutoff Valve
- ❷ Compression Nut
- ❸ Packing Nut
- ❹ Outlet Valve
- ❺ Ferrule (sleeve)

8 Flush out the tubing.

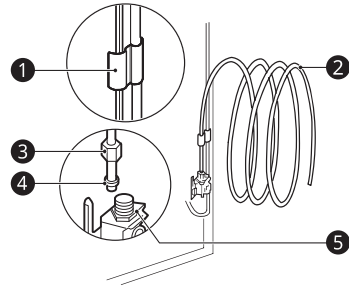
- Turn the main water supply on and flush out the tubing until the water is clear. Shut the water off at the water valve after about one quart of water has been flushed through the tubing.



9 Connect the tubing to the refrigerator.

NOTE

- Before making the connection to the refrigerator, be sure that the refrigerator power cord is not plugged into the wall outlet.
- Remove the flexible plastic cap from the water valve.
- Place the compression nut and ferrule (sleeve) onto the end of the tubing as shown.
- Insert the end of the copper tubing into the connection as far as possible. While holding the tubing, tighten the fitting.



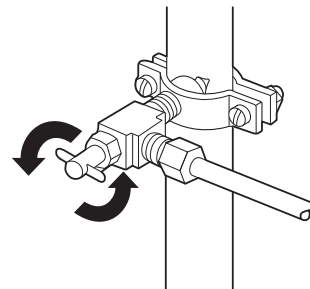
- ❶ Tubing Clamp
- ❷ 1/4 in. Tubing
- ❸ 1/4 in. Compression Nut
- ❹ Ferrule (sleeve)
- ❺ Refrigerator Connection

10 Turn the water on at the shutoff valve.

- Tighten any connections that leak.

CAUTION

- Check to see if leaks occur at the water line connections.



Leveling and Door Alignment

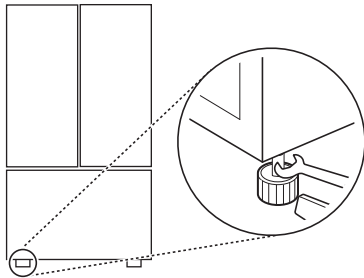
Leveling

The refrigerator has two front leveling legs. Adjust the legs to alter the tilt from front-to-back or side-to-side. If the refrigerator seems unsteady, or the doors do not close easily, adjust the refrigerator's tilt using the instructions below:

- 1 Turn the leveling leg to the left to raise that side of the refrigerator or to the right to lower it. It may take several turns of the leveling leg to adjust the tilt of the refrigerator.

NOTE

- A flare nut wrench works best, but an open-end wrench will suffice. Do not over-tighten.



- 2 Open both doors and check to make sure that they close easily. If the doors do not close easily, tilt the refrigerator slightly more to the rear by turning both leveling legs to the left. It may take several more turns, and be sure to turn both leveling legs the same amount.

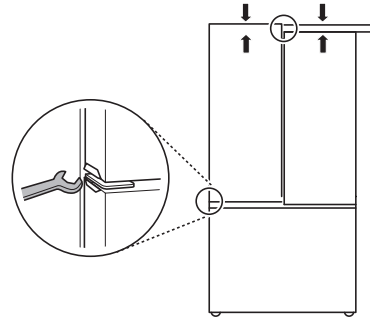
Door Alignment (Standard Door Model)

Both the left and right refrigerator doors have an adjustable nut, located on the bottom hinge, to raise and lower them to align properly.

If the space between the doors is uneven even after the door bins are filled, follow the instructions below to align the doors evenly:

Use the wrench (included with the owner's manual) to turn the nut in the door hinge to adjust

the height. Turn the nut to the right to raise the door or to the left to lower it.



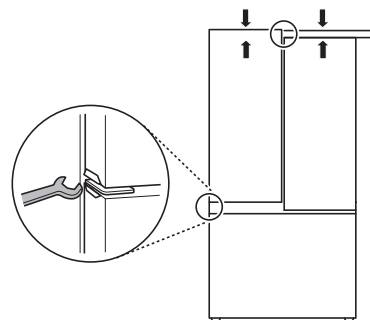
Door Alignment (Door-in-Door Model)

Left Refrigerator Door

The left refrigerator door has an adjustable nut, located on the bottom hinge, to raise and lower the door for proper alignment.

If the space between the doors is uneven, follow the instructions below to align the left door:

Use the wrench (included with the owner's manual) to turn the nut in the door hinge to adjust the height. Turn the nut to the right to raise the door or to the left to lower it.



Right Refrigerator Door

The right refrigerator door does not have an adjustable nut.

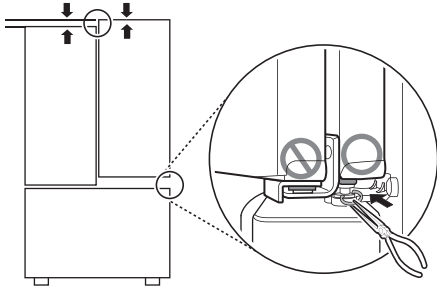
If the space between the doors is uneven, follow the instructions below to align the right door:

- 1 With one hand, lift up both the inner and outer door sections of the right door to raise them at the middle hinge. (It may be easier to lift it with the doors open.)
- 2 With the other hand, use pliers to insert the snap ring on the middle hinge of the inner

24 INSTALLATION

door section as shown. Do not insert the ring on the hinge of the outer door section.

- 3** Insert additional snap rings until the right door is aligned. (Two snap rings are provided with the unit.)



Turning on the Power

- After installing, plug the refrigerator's power cord into a 3-prong grounded outlet and push the refrigerator into the final position.

⚠ CAUTION

- Connect to a rated power outlet.
 - Have a certified electrician check the wall outlet and wiring for proper grounding.
 - Do not damage or cut off the ground terminal of the power plug.
-

Position the Refrigerator

- Arrange the coil of tubing so that it does not vibrate against the back of the refrigerator or against the wall. Push the refrigerator back to the wall.

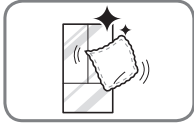
Start the Icemaker

- If the water line is connected, set the icemaker power switch to the ON position.
- The icemaker will not begin to operate until it reaches its operating temperature of 15 °F (-9 °C) or below. It will then begin operation automatically if the icemaker power switch is in the ON (I) position.

OPERATION

Before Use

Checklist

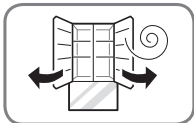


Clean the refrigerator.

Clean the refrigerator thoroughly and wipe off all dust that accumulated during shipping.

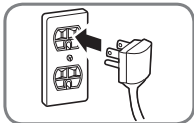
⚠ CAUTION

- Do not scratch the refrigerator with a sharp object or use a detergent that contains alcohol, a flammable liquid or an abrasive when removing any tape or adhesive from the refrigerator. Remove adhesive residue by wiping it off with your thumb or dish detergent.
- Do not peel off the model or serial number label or the technical information on the rear surface of the refrigerator.



Open refrigerator doors and freezer drawers to ventilate the interior.

The inside of the refrigerator may smell like plastic at first. Remove any adhesive tape from inside the refrigerator and open the refrigerator doors and the freezer drawers for ventilation.



Connect the power supply.

Check if the power supply is connected before use.

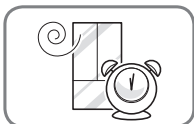


Turn off the icemaker.

Turn off the icemaker if the refrigerator is not yet connected to the water supply.

NOTE

- The icemaker water valve may buzz if the icemaker is turned on while the refrigerator is not connected to the water supply.

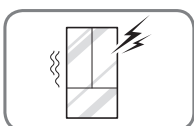


Wait for the refrigerator to cool.

Allow the refrigerator to run for at least two to three hours before putting food in it. Check the flow of cold air in the freezer compartment to ensure proper cooling.

⚠ CAUTION

- Putting food in the refrigerator before it has cooled could cause the food to spoil, or a bad odor to remain inside the refrigerator.



The refrigerator makes a loud noise after initial operation.

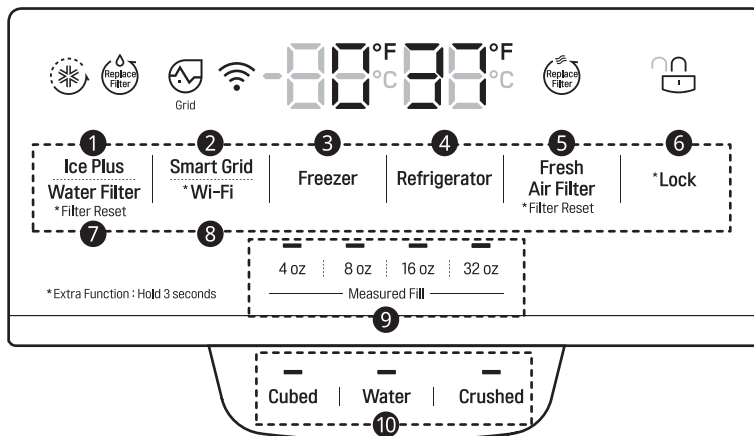
This is normal. The volume will decrease as the temperature decreases.

Control Panel

Depending on the model, some of the following functions may not be available.

The actual control panel may differ from model to model.

Control Panel Features



1 Ice Plus

This function increases both ice making and freezing capabilities.

Press the **Ice Plus** button to illuminate the icon and activate the function for 24 hours. The function automatically shuts off after 24 hours. Stop the function manually by pressing the button once more.

2 Smart Grid

Press the **Smart Grid** button to turn the function On/Off. When the function is on, the icon illuminates. The function automatically turns on when the refrigerator is connected to the Wi-Fi network.

When the refrigerator is responding to a Demand Response (DR) message from the electric company, the Grid text illuminates.

3 Freezer

Indicates the set temperature of the freezer compartment in Celsius (°C) or Fahrenheit (°F). The default freezer temperature is 0°F (-18 °C). Press the **Freezer** button repeatedly to select a new set temperature from - 7 °F to 5 °F (-23 °C to -15 °C).

NOTE

• Craft Ice

- This feature is only available on some models.
- The **Freezer** button can also be used to set the **Craft Ice** mode to either **3 ICE** or **6 ICE**. The default mode is **3 ICE**.
- For more ice, select the **6 ICE** mode. For clearer ice, select the **3 ICE** mode.
- To change the **Craft Ice** mode:
 - 1) Press and hold the **Freezer** button for 3 seconds until the control panel beeps and the current mode appears.
 - 2) Press the **Freezer** button repeatedly to toggle between **3 ICE** and **6 ICE** modes.
 - 3) After 5 seconds of idle time, the last mode set will be saved, and the display will return to normal.

4 Refrigerator

Indicates the set temperature of the refrigerator compartment in Celsius (°C) or Fahrenheit (°F). The default refrigerator temperature is 37 °F (3 °C). Press the **Refrigerator** button repeatedly to select a new set temperature from 33 °F to 43 °F (1 °C to 7 °C).


NOTE

- To change the temperature mode from °F to °C (or vice versa) press and hold the **Refrigerator** and **Freezer** buttons simultaneously for approximately five seconds. The temperature indicator on the display window switches between Celsius and Fahrenheit.
- The displayed temperature is the target temperature, and not the actual temperature of the refrigerator. The actual refrigerator temperature depends on the food inside the refrigerator.

5 Fresh Air Filter


The Fresh Air Filter helps remove odors from the refrigerator.

NOTE


- Replace the air filter when the  icon turns on. After replacing the air filter, press and hold the **Fresh Air Filter** button for three seconds to turn the icon light off. Replace the air filter approximately every six months.

6 Lock

The lock function disables every other button on the display.

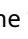
- When power is initially connected to the refrigerator, the lock function is off.
- To lock the control panel buttons, press and hold the **Lock** button until the  icon appears in the display and the function is activated.
- To disable the function, press and hold the **Lock** button for approximately three seconds.

7 Water Filter

Replace the water filter when the  icon turns on. After replacing the water filter, press and hold the **Water Filter** button for three seconds to turn the icon light off. Replace the water filter approximately every six months.

8 Wi-Fi

The Wi-Fi button, when used with the **LG ThinQ** app, allows the refrigerator to connect to a home Wi-Fi network. Refer to Smart Functions for information on the initial setup of the application.

The  icon shows the status of the refrigerator's network connection. The icon illuminates when the refrigerator is connected to the Wi-Fi network.

Press and hold the **Wi-Fi** button for 3 seconds to connect to the network. The icon blinks while the connection is being made, then turns on once the connection is successfully made.

9 Measured Fill

The measured fill function dispenses premeasured amounts of water automatically.

10 Water & Ice Type

Select the desired dispenser mode from the buttons on the dispenser control panel. Press the dispenser switch with a glass or other container to dispense cubed ice, water or crushed ice.

⚠ CAUTION

Display Mode (For Store Use Only)

- The Display Mode disables all cooling in the refrigerator and freezer sections to conserve energy while on display in a retail store. When activated, OFF is displayed on the control panel and the display remains on for 20 seconds.

- To deactivate / activate:
 - With either refrigerator door opened, press the **Ice Plus** button 3 times consecutively while pressing the **Refrigerator** button. The control panel beeps and the temperature settings display to confirm that Display Mode is deactivated. Use the same procedure to activate Display Mode.
-

NOTE

- When the refrigerator is in the Power Saving Mode, the display remains off until a door is opened or a button is pressed. Once on, the display remains on for 20 seconds.
-

Sabbath Mode

Using the Sabbath Mode

Sabbath mode is used on the Jewish Sabbath and holidays.

- To turn Sabbath mode on, touch the display to activate it, then press and hold the **Freezer** and **Wi-Fi** buttons for 3 seconds until 5b appears in the display.
- To turn Sabbath mode off manually, press and hold the **Freezer** and **Wi-Fi** buttons for 3 seconds.

NOTE

- Sabbath mode automatically turns off after 96 hours.
 - Once turned on, Sabbath mode is maintained even after a power outage.
 - Selecting Sabbath mode automatically turns off the Alarm functions.
 - The dispenser or InstaView is disabled in Sabbath Mode. This information is only available on models with the dispenser or InstaView.
-

Ice and Water Dispenser

Before Use

CAUTION

- Keep children away from the dispenser. Children may play with or damage the controls.
- Throw away the first few batches of ice (about 140 - 160 cubes) after installation. This is also necessary if the refrigerator has not been used for a long time.
- If ice or water dispenses unexpectedly, turn off the water supply and contact an LG Electronics Customer Information Center.

- Never use a glass that is exceptionally narrow or deep. Ice may jam in the ice passage and refrigerator performance may be affected.
-

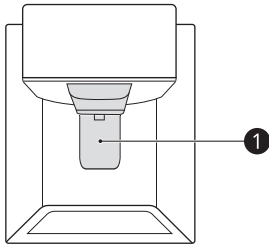
NOTE

- The first ice and water dispensed may include particles or odor from the water supply line or the water tank. Throw away the first few batches of ice (about 140 - 160 cubes). This is also necessary if the refrigerator has not been used for a long time.
 - The dispenser will not operate when either of the refrigerator doors is open.
 - If discolored ice is dispensed, check the water filter and water supply. If the problem continues, contact an LG Electronics Customer Information Center. Do not use the water or ice until the problem is corrected.
 - Dispense ice into a glass before filling it with water or other beverages. Splashing may occur if ice is dispensed into a glass that already contains liquid.
 - Some dripping may occur after dispensing. Hold the cup beneath the dispenser for a few seconds after dispensing to catch all of the drops.
 - Keep containers at an appropriate distance from the dispensers. Tall, narrow glasses should be held far enough from the ice outlet to prevent ice from jamming in the ice chute. A container with a very small opening should be held as close to the dispenser as possible to avoid spilling.
 - Keep the glass at a proper distance from the ice outlet. A glass held too close to the outlet may prevent ice from dispensing.
-

Using the Ice and Water Dispenser

Press the dispenser selection button repeatedly until the light above icon what you want illuminates.

Press the dispenser paddle ❶ with a glass or other container to dispense cubed ice, water or crushed ice.



Using the Measured Fill

The Measured Fill function dispenses premeasured amounts of water automatically.

- 1 Select the desired amount from the **Measured Fill** buttons on the dispenser control panel.
- 2 Press the dispenser switch with a container.
- 3 To stop the measured fill, release the dispenser switch.

Locking the Ice and Water Dispenser

Press and hold the **Lock** button for three seconds to lock the dispenser and all the control panel functions. Follow the same instructions to unlock.

Ice Compartment

⚠ CAUTION

- Keep hands and tools out of the ice compartment door and dispenser chute. Failure to do so may result in damage or personal injury.

Keep the ice compartment door closed tightly. If the ice compartment door is not closed tightly, the cold air in the ice bin will freeze food in the refrigerator compartment. This could also cause the icemaker to stop producing ice.

In-Door Ice Bin

The icemaker stops producing ice when the indoor ice bin is full. To make room for additional ice, empty the ice bin into the extra ice bin in the freezer compartment. During use, the ice may

stack unevenly in the bin, causing the icemaker to misread the number of ice cubes and stop producing ice. Shaking the ice bin to level the ice within it can reduce this problem.

⚠ CAUTION

- When handling the ice bin, keep hands away from the icemaker tray area to avoid personal injury.
- Storing cans or other items in the ice bin will damage the icemaker.
- Never use thin crystal glasses or containers to collect ice. Such containers may chip or break resulting in glass fragments in the ice.

If the icemaker is turned OFF for an extended period of time, the ice compartment will gradually warm up to the temperature of the refrigerator compartment. To prevent ice cubes from melting and leaking from the dispenser, **ALWAYS** empty the ice bin when the icemaker is turned OFF for more than a few hours.

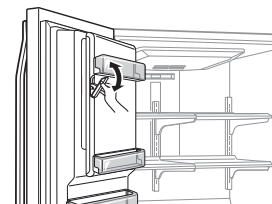
The ice passage may become blocked with frost if only crushed ice is used. Remove the frost that accumulates by removing the ice bin and clearing the passage with a rubber spatula. Dispensing cubed ice can also help prevent frost buildup.

Detaching the In-Door Ice Bin

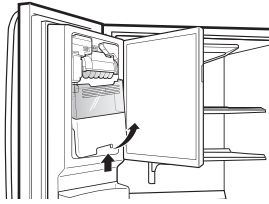
⚠ CAUTION

- Only qualified service personnel from LG Electronics service center should disassemble or repair the icemaker.

- 1 Gently pull the handle to open the ice compartment.



- 2 To remove the in-door ice bin, grip the front handle, slightly lift the lower part, and slowly pull out the bin as shown.



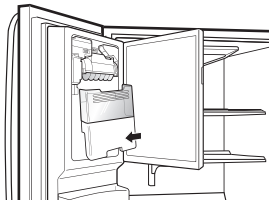
Assembling the In-Door Ice Bin

CAUTION

- When handling the ice bin, keep hands away from the icemaker tray area to avoid personal injury.
- Avoid touching the auto shutoff (feeler arm) when replacing the ice bin. See the label on the ice compartment door for details.



- 1 Carefully insert the in-door ice bin, slanting the top slightly to fit it under the icemaker.



- 2 Gently push the handle to close the ice compartment.

Automatic Icemaker

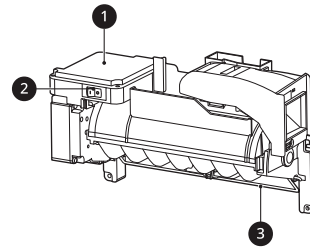
Before Using the In-Door Icemaker

NOTE

- Ice is made in the automatic in-door icemaker and sent to the dispenser. The icemaker produces 70 - 182 cubes in a 24-hour period, depending on freezer compartment temperature, room temperature, number of door openings and other operating conditions.
- It takes about 12 to 24 hours for a newly installed refrigerator to begin making ice.

- Ice-making stops when the in-door ice bin is full. When full, the in-door ice bin holds approximately 6 to 8 (12-16 oz.) glasses of ice.
- Foreign substances or frost on the ice-detecting sensor can interrupt ice production. Make sure the sensor area is clean at all times for proper operation.
- To increase ice production, use the **Ice Plus** function. The function increases both ice making and freezing capabilities.

In-Door Icemaker



- 1 Icemaker
- 2 Power Switch
- 3 Auto Shutoff (feeler arm)

Before Using the Freezer Icemaker

This feature is only available on some models.

The feature may vary depending on model purchased.

NOTE

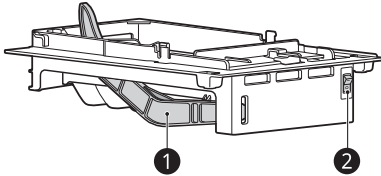
- Throw away the first few batches of ice (about 140 - 160 cubes) after installation. This is also necessary if the refrigerator has not been used for a long time.
- The icemaker begins producing ice approximately 48 hours after the appliance is initially installed.
- The sound of ice dropping into the ice bin is normal.
- If the ice bin is completely filled with ice, ice production will stop.
- The amount and shape of ice may vary according to the environment (ambient temperature around the appliance, frequency of the door being opened, amount of food stored in the appliance, water pressure, etc.).

NOTE

- In the event of a power outage, throw away the ice stored in the ice bin.

Freezer Icemaker (Cubed Ice)

This feature is only available on some models.



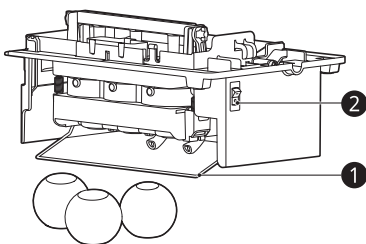
- ❶ Feeler Arm
- ❷ Power Switch

NOTE

- This automatic freezer icemaker produces 12 cubes at a time, 50-110 pieces within a 24 hour period if conditions are favorable. This amount may vary according to the environment (ambient temperature around the appliance, frequency of the door being opened, amount of food stored in the appliance, etc.).
- Ice cubes which are stored in the ice bin for a long time may clump together and be difficult to separate. If this happens, empty the ice bin completely and clean it before reinstalling it.

Freezer Icemaker (Craft Ice™)

This feature is only available on some models.



- ❶ Feeler Arm
- ❷ Power Switch

CAUTION

- Do not insert round ice into the in-door ice bin, as it can damage the ice and water dispenser.

NOTE

- Following installation or water filter replacement, the first few batches of ice may be semicircular or contain air bubbles.
- If the water pressure is less than 20 psi (138 kPa) or a reverse osmosis system is used, the shape of the ice may vary.
- The ice may look cloudy depending on the water quality in the installation location and the operating conditions.
- Throw away any shards of ice you may find in the ice bin, as they may stick to the ice stored in the ice bin.
- After a short term power outage, it will take longer to make the first batch of ice, and the ice may not be round. If the power will be out for a longer period, throw away the ice stored in the ice bin.
- The **Craft Ice** icemaker produces 1 batch of round ice (3 pieces) at a time.
- In **3 ICE** mode (default setting), the **Craft Ice** icemaker produces 1 batch of round ice (3 pieces) every 18 - 30 hours. In **6 ICE** mode, the **Craft Ice** icemaker produces 2 batches of round ice (6 pieces total) in the same period.
- For more ice, select the **6 ICE** mode. For clearer ice, select the **3 ICE** mode.
- The time needed to make ice may vary according to operating conditions.
- The ice bin stores 20 - 30 pieces of round ice.

Turning the Icemaker™ On/Off

To turn the automatic icemaker On/Off, press the power switch on the icemaker to the ON (|) or OFF (O) position.

Normal Sounds You May Hear

- Keeping the power turned on to the icemaker before the water line is connected can damage the icemaker.
- The icemaker water valve buzzes as the icemaker fills with water. If the icemaker power button is in the ON mode, it will buzz even if it has not yet been hooked up to water. To stop the buzzing, press the icemaker power button to turn it off.
- You will hear the sound of cubes dropping into the bin and water running in the pipes as the icemaker refills.

Preparing for Vacation

Set the icemaker power button to OFF and shut off the water supply to the refrigerator.

NOTE

- The ice bin should be emptied any time the icemaker power button is turned to the OFF mode.

If the ambient temperature will drop below freezing, have a qualified technician drain the water supply system to prevent serious property damage due to flooding caused by ruptured water lines or connections.

Storing Food

Food Storage Tips

Wrap or store food in the refrigerator in airtight and moisture-proof material unless otherwise noted. This prevents food odor and taste transfer throughout the refrigerator. For dated products, check date code to ensure freshness.

CAUTION

- Do not overfill or pack items too tightly into door bins. Doing so may cause damage to the bin or personal injury if items are removed with excessive force.
- Do not store glass containers in the freezer. Contents may expand when frozen, break the container and cause injury.

How to Store Food

- Butter or Margarine
 - Keep opened butter in covered dish or closed compartment. When storing an extra supply, wrap in freezer packaging and freeze.
- Cheese
 - Store in original wrapping until used. Once opened, rewrap tightly in plastic wrap or aluminum foil.
- Milk
 - Wipe milk cartons. For coldest milk, place containers on an interior shelf.
- Eggs
 - Store in original carton on interior shelf, not on door shelf.

- Fruit
 - Do not wash or hull fruit until it is ready to be used. Sort and keep fruit in original container in a crisper, or store in completely closed paper bag on refrigerator shelf.
- Leafy Vegetables
 - Remove store wrapping, trim or tear off bruised and discolored areas, wash in cold water, and drain. Place in plastic bag or plastic container and store in crisper.
- Vegetables with skins (carrots, peppers)
 - Place in plastic bags or plastic container and store in crisper.
- Fish
 - Freeze fresh fish and shellfish if they are not being eaten the same day purchased. Eating fresh fish and shellfish the same day purchased is recommended.
- Leftovers
 - Cover leftovers with plastic wrap or aluminum foil, or store in plastic containers with tight lids.

Storing Frozen Food

Check a freezer guide or a reliable cookbook for further information about preparing food for freezing or food storage times.

Freezing

Your freezer will not quick-freeze a large quantity of food. Do not put more unfrozen food into the freezer than will freeze within 24 hours (no more than 2 to 3 pounds of food per cubic foot of freezer space). Leave enough space in the freezer for air to circulate around packages. Be careful to leave enough room at the front so the door can close tightly.

Storage times will vary according to the quality and type of food, the type of packaging or wrap used (how airtight and moisture-proof) and the storage temperature. Ice crystals inside a sealed package are normal. This simply means that moisture in the food and air inside the package have condensed, creating ice crystals.

NOTE

- Allow hot foods to cool at room temperature for 30 minutes, and then package and freeze. Cooling hot foods before freezing saves energy.

Packaging

Successful freezing depends on correct packaging. When you close and seal the package, it must not allow air or moisture in or out. If it does, you could have food odor and taste transfer throughout the refrigerator and could also dry out frozen food.

Packaging recommendations

- Rigid plastic containers with tight-fitting lids
- Straight-sided canning/freezing jars
- Heavy-duty aluminum foil
- Plastic-coated paper
- Non-permeable plastic wraps
- Specified freezer-grade self-sealing plastic bags

Follow package or container instructions for proper freezing methods.

Do not use

- Bread wrappers
- Non-polyethylene plastic containers
- Containers without tight lids
- Wax paper or wax-coated freezer wrap
- Thin, semi-permeable wrap

NOTE

- If you are leaving home for a short period, like a short vacation, the refrigerator should be left on. Refrigerated foods that are able to be frozen will stay preserved longer if stored in the freezer.
- If you are leaving the refrigerator turned off for an extended period, remove all food and unplug the power cord. Clean the interior, and leave the door open to prevent fungi from growing in the refrigerator.
- Do not store food with high moisture content towards the top of the refrigerator. The moisture could come in direct contact with the cold air and freeze.
- Wash food before storing it in the refrigerator. Vegetables should be washed, and food packaging should be wiped down to prevent adjacent foods from being contaminated.
- If the refrigerator is kept in a hot and humid place, frequent opening of the door or storing a lot of vegetables in the refrigerator may cause condensation to form. Wipe off the condensation with a clean cloth or a paper towel.
- If the refrigerator door or freezer drawer is opened or closed too often, warm air may penetrate the refrigerator and raise its temperature. This can increase the running costs of the unit.

Humidity Controlled Crispers

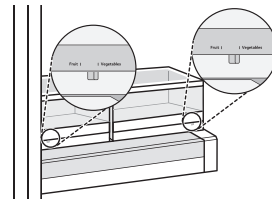
Using the Humidity Controlled Crispers

This feature is only available on some models.

The crispers provide fresher tasting fruit and vegetables by letting you easily control humidity inside the drawer.

You can control the amount of humidity in the moisture-sealed crispers by adjusting the control to any setting between **Vegetables** and **Fruit**.

- **Vegetables** keeps moist air in the crisper for best storage of fresh, leafy vegetables.
- **Fruit** lets moist air out of the crisper for best storage of fruit.

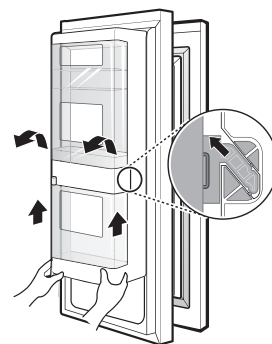


Removing/Assembling the Humidity Controlled Crispers

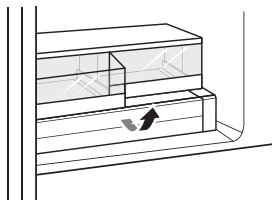
- 1 Open the doors completely and remove the contents of the Door-in-Door case. Lift up and pull out the Door-in-Door case.

NOTE

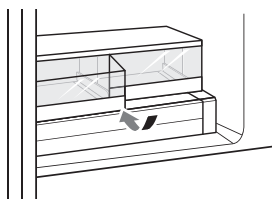
- The Door-in-Door feature is only available on some models.



- 2 Pull out the crisper to full extension, lift the front up, and pull straight out.



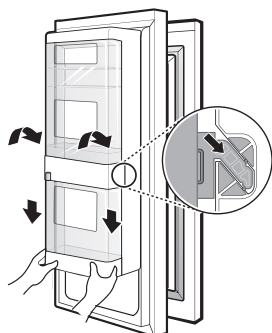
- 3** To reassemble, slightly tilt up the front, insert the crisper into the frame and push it back into place.



- 4** Line up the tabs on the Door-in-Door case with the slots on the door and push down until it snaps into place.

NOTE

- The Door-in-Door feature is only available on some models.

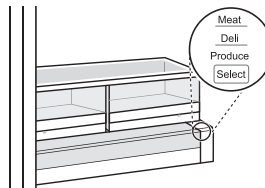


Glide'N'Serve

Using the Glide'N'Serve

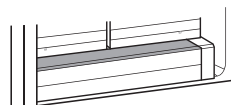
This function provides storage space with a variable temperature control that can keep the compartment at a slightly different temperature than the refrigerator section. This drawer can be used for large party trays, deli items and beverages. (This drawer should not be used to store vegetables that require high humidity.)

Press the **Select** button to choose between **Produce** (Cold), **Deli** (Colder) and **Meat** (Coldest).



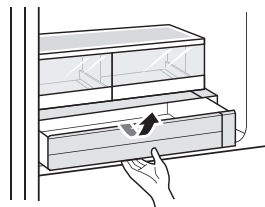
CAUTION

- Do not place any items on the Glide'N'Serve cover.

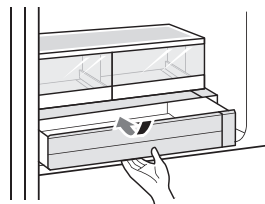


Detaching/Assembling the Glide'N'Serve

- 1** To remove the Glide'N'Serve, pull out the drawer until it stops, lift the front up, and pull straight out.



- 2** To assemble, slightly tilt up the front, insert the drawer into the frame and push it back into place.



Refrigerator Shelves

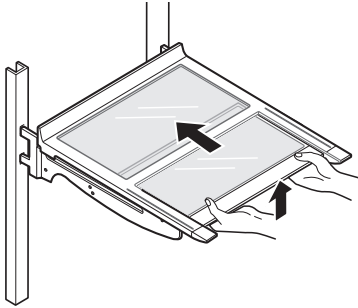
The shelves in the refrigerator are adjustable to meet individual storage needs. Your model may have full or split shelves.

Adjusting the shelves to fit items of different heights will make finding the exact item you want easier.

Using the Folding Shelf

This feature is only available on some models.

Store taller items, such as a gallon container or bottles, by pushing the front half of the shelf underneath the back half of the shelf. Pull the front of the shelf forward to return to a full shelf.



⚠ CAUTION

- Glass shelves are heavy. Use special care when removing them.
- Do not clean glass shelves with warm water while they are cold. Shelves may break if exposed to sudden temperature changes or impact.

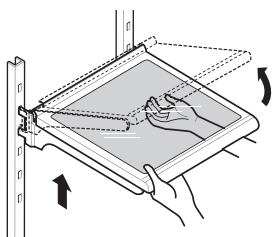
Detaching/Assembling the Half Width Shelf

⚠ CAUTION

- Do not clean glass shelves with warm water while they are cold. Shelves may break if exposed to sudden temperature changes or impact.

1 To detach, tilt up the front of the shelf and lift the shelf straight up.

2 Pull the shelf out.

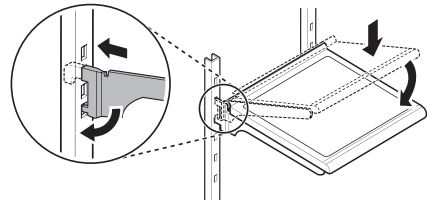


3 To assemble, tilt the front of the shelf up and guide the shelf hooks into the slots at a desired height.

4 Lower the front of the shelf so that the hooks drop into the slots.

⚠ CAUTION

- Make sure that shelves are level from one side to the other. Failure to do so may result in the shelf falling or spilled food.



Door-in-Door

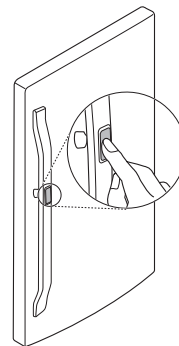
This feature is only available on some models.

The Door-in-Door compartment allows for easy access to commonly used food items.

Door-in-Door Compartment

This feature is only available on some models.

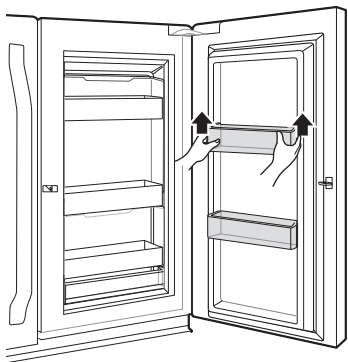
To access the Door-in-Door compartment, lightly press the button on the right refrigerator door handle.



Door-in-Door Bin

The **Door-in-Door** inner and outer door bins are removable for easy cleaning.

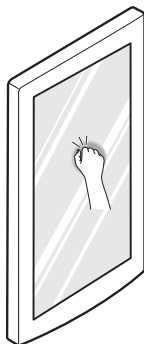
1 To remove the door bins, lift up and pull out.



- 2** To replace the door bins, slide the door bin in above the desired support and push down until it snaps into place.

InstaView Door-in-Door

Knock twice on the glass to turn the LED light inside the InstaView on or off. The LED light turns off automatically after 10 seconds.



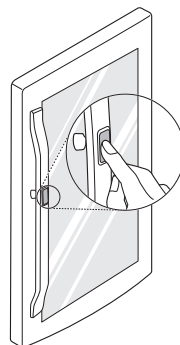
NOTE

- The LED light does not turn on if the right refrigerator door is open.
- The **InstaView** function will not activate for two seconds after closing the door.
- The **InstaView** function is disabled when the ice dispenser is in use.

InstaView Door-in-Door Compartment

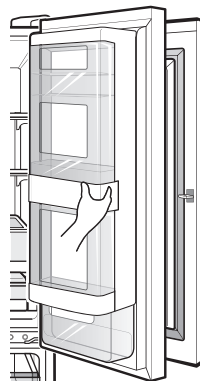
The **InstaView** function on the **Door-in-Door** compartment lets you view the contents of the compartment without opening the door.

To access the **InstaView Door-in-Door** compartment, lightly press the button on the right refrigerator door handle.

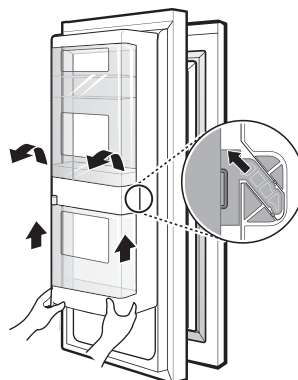


Door-in-Door Case

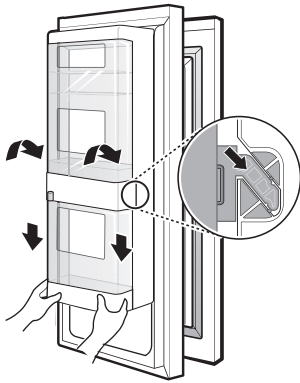
To open the **Door-in-Door** case, press on the area marked **Pull to open**. The case is removable for easy cleaning and adjustment.



- 1** To remove the case, lift up and pull out.



- 2** To replace the case, line up the tabs on the case with the slots on the door and push down until it snaps into place.

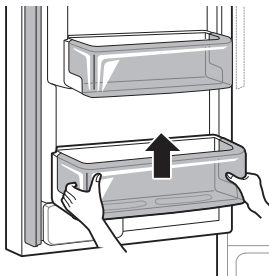


Door Bins

Detaching/Refitting the Door Bin

The door bins are removable for easy cleaning and adjustment.

- 1 To remove the bin, simply lift the bin up and pull straight out.

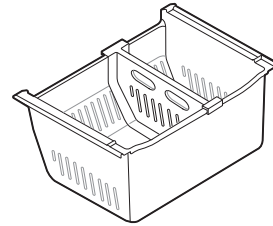


- 2 To replace the bin, slide it in above the desired support and push down until it snaps into place.

⚠ CAUTION

- Regularly detach and wash the storage bins and shelves; they can become easily contaminated by food.
- Do not apply excessive force while detaching or assembling the storage bins.
- Do not use the dishwasher to clean the storage bins and shelves.

from side to side to accommodate items of different sizes.



⚠ WARNING

- If the **Durabase** divider is removed, there is enough open space for children or pets to crawl inside. To prevent accidental child and pet entrapment or suffocation risk, **DO NOT** allow children or pets to touch or go near the drawer.

Durabase

Using the Durabase

The **Durabase** divider allows you to organize the **Durabase** area into 2 sections. It can be adjusted

SMART FUNCTIONS

LG ThinQ Application

This feature is only available on models with Wi-Fi.

The **LG ThinQ** application allows you to communicate with the appliance using a smartphone.

LG ThinQ Application Features

- **Smart Care+†**
 - Provides a more personalized experience based on an analysis of your usage patterns.
- **Smart Sabbath†**
 - Activates or deactivates the Sabbath mode and sets the schedule for the mode activation.
- **Energy Monitoring†**
 - This feature keeps track of the refrigerator's power consumption and the number of door openings.
- **Remote Control**
 - Controls the Refrigerator Temperature, Fresh Air Filter and Ice Plus from the smartphone app.
- **Push Messages**
 - If the door remains open for more than ten minutes, you will receive a push message. When Ice Plus is finished, you will receive a push message.
- **Smart Diagnosis™**
 - This function provides useful information for diagnosing and solving issues with the appliance based on the pattern of use.
- **Settings**
 - Allows you to set various options on the refrigerator and in the application.

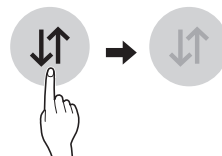
†: This feature is only available on some models.

NOTE

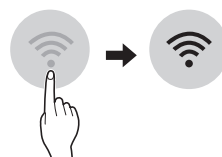
- If you change your wireless router, Internet service provider, or password, delete the registered appliance from the **LG ThinQ** application and register it again.
- This information is current at the time of publication. The application is subject to change for product improvement purposes without notice to users.

Before Using LG ThinQ Application

- 1 Use a smartphone to check the strength of the wireless router (Wi-Fi network) near the appliance.
 - If the distance between the appliance and the wireless router is too far, the signal becomes weak. It may take a long time to register or fail to install the application.
- 2 Turn off the **Mobile data** or **Cellular Data** on your smartphone.



- 3 Connect your smartphone to the wireless router.



NOTE

- To verify the Wi-Fi connection, check that the Wi-Fi icon on the control panel is lit.
- The appliance supports 2.4 GHz Wi-Fi networks only. To check your network frequency, contact your Internet service provider or refer to your wireless router manual.
- **LG ThinQ** is not responsible for any network connection problems or any faults, malfunctions, or errors caused by network connection.
- The surrounding wireless environment can make the wireless network service run slowly.
- If the appliance is having trouble connecting to the Wi-Fi network, it may be too far from the router. Purchase a Wi-Fi repeater (range extender) to improve the Wi-Fi signal strength.
- The network connection may not work properly depending on the Internet service provider.
- The Wi-Fi may not connect or the connection may be interrupted because of the home network environment.

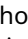
NOTE

- If the appliance cannot be registered due to problems with the wireless signal transmission, unplug the appliance and wait about a minute before trying again.
- If the firewall on your wireless router is enabled, disable the firewall or add an exception to it.
- The wireless network name (SSID) should be a combination of English letters and numbers. (Do not use special characters.)
- Smartphone user interface (UI) may vary depending on the mobile operating system (OS) and the manufacturer.
- If the security protocol of the router is set to **WEP**, network setup may fail. Change the security protocol (**WPA2** is recommended), and register the product again.

Installing the LG ThinQ Application

Search for the **LG ThinQ** application from the Google Play Store or Apple App Store on a smartphone. Follow instructions to download and install the application.

Connecting to Wi-Fi

The **Wi-Fi** button, when used with the **LG ThinQ** application, allows the appliance to connect to a home Wi-Fi network. The  icon shows the status of the appliance's network connection. The icon illuminates when the appliance is connected to the Wi-Fi network.


Initial Appliance Registration

Run the **LG ThinQ** application and follow the instructions in the application to register the appliance.

Re-registering the Appliance or Registering Another User

Press and hold the **Wi-Fi** button for 3 seconds to temporarily turn it off. Run the **LG ThinQ** application and follow the instructions in the application to register the appliance.

NOTE

- To disable the Wi-Fi function, press and hold the **Wi-Fi** button for 3 seconds. The  icon will be turned off.

Wireless LAN Module Specifications

Model	LCW-004
Frequency Range	2412 - 2462 MHz
Output Power (Max)	< 30 dBm

FCC Notice

The following notice covers the transmitter module contained in this product.

This equipment has been tested and found to comply with the limits for a Class B digital device, pursuant to Part 15 of the FCC Rules. These limits are designed to provide reasonable protection against harmful interference in a residential installation. This equipment generates, uses, and can radiate radio frequency energy and, if not installed and used in accordance with the instructions, may cause harmful interference to radio communications. However, there is no guarantee that interference will not occur in a particular installation. If this equipment does cause harmful interference to radio or television reception, which can be determined by turning the equipment off and on, the user is encouraged to try to correct the interference by one or more of the following measures:

- Reorient or relocate the receiving antenna.
- Increase the separation between the equipment and the receiver.
- Connect the equipment into an outlet on a circuit different from that to which the receiver is connected.
- Consult the dealer or an experienced radio/TV technician for help.

This device complies with part 15 of the FCC Rules. Operation is subject to the following two conditions:

- (1) This device may not cause harmful interference and
- (2) This device must accept any interference received, including interference that may cause undesired operation.

Any changes or modifications in construction of this device which are not expressly approved by the party responsible for compliance could void the user's authority to operate the equipment.

FCC RF Radiation Exposure Statement

This equipment complies with FCC radiation exposure limits set forth for an uncontrolled environment. This transmitter must not be co-located or operating in conjunction with any other antenna or transmitter.

This equipment should be installed and operated with a minimum distance of 20 cm (7.8 inches) between the antenna and your body. Users must follow the specific operating instructions for satisfying RF exposure compliance.

Industry Canada Statement

This device contains licence-exempt transmitter(s)/ receiver(s) that comply with Innovation, Science and Economic Development Canada's licence-exempt RSS(s). Operation is subject to the following two conditions:

- (1) This device may not cause interference.
- (2) This device must accept any interference, including interference that may cause undesired operation of the device.

IC Radiation Exposure Statement

This equipment complies with IC radiation exposure limits set forth for an uncontrolled environment.

This equipment should be installed and operated with a minimum distance of 20 cm (7.8 inches) between the antenna and your body.

NOTE

- THE MANUFACTURER IS NOT RESPONSIBLE FOR ANY RADIO OR TV INTERFERENCE CAUSED BY UNAUTHORIZED MODIFICATIONS TO THIS EQUIPMENT. SUCH MODIFICATIONS COULD VOID THE USER'S AUTHORITY TO OPERATE THE EQUIPMENT.
-

Open Source Software Notice Information

To obtain the source code under GPL, LGPL, MPL, and other open source licenses, that is contained in this product, please visit <http://opensource.lge.com>. In addition to the source code, all referred license terms, warranty disclaimers and copyright notices are available for download.

LG Electronics will also provide open source code to you on CD-ROM for a charge covering the cost of performing such distribution (such as the cost of media, shipping, and handling) upon email request to opensource@lge.com. This offer is valid for a period of three years after our last shipment of this product. This offer is valid to anyone in receipt of this information.

Smart Grid Function

When the refrigerator operates in Smart Grid mode, the Smart Refrigerator function can control energy usage or delay the operation of some functions to save energy during peak usage periods.

- You can override the Smart Grid function any time (using the **Smart Grid** button or application).
- To use the Smart Grid function, you need to register your application with your electric utility company, provided that, your electric utility company supports the function. In other words, the Smart Grid function will not be available if your electric utility company does not support the function or does not have the capability to support the function.

Smart Grid Application Features

- Smart Saving_Demand Response
 - You can lower energy usage based on Demand Response (DR) signals from the utility company. If the refrigerator is operating in Smart Saving mode according to the DR signal, you can see a pop up.
- Seasonal Energy Savings
 - Lower energy usage based on time period.

Using the Smart Grid Function

This feature responds to notification events from your utility company to run high energy consuming tasks during off-peak periods when demand is lower. These notification events are known as Demand Response signals.

If the refrigerator receives a Demand Response signal from the utility company, the refrigerator will turn on the Grid LED on the refrigerator display and control its power consumption according to the signal. The refrigerator will respond to the signals received from the utility company as long as product performance is maintained.

If the refrigerator receives a Demand Response signal, the refrigerator will operate in Delay Appliance Load (DAL) or Temporary Appliance Load Reduction (TALR) mode.

Delay Appliance Load (DAL)

The refrigerator responds to a DAL signal by providing a moderate load reduction for the duration of the delay period.

This mode controls functions that consume a lot of energy such as adjusting the cooling system, running the defrost cycle, and making ice.

- When the refrigerator operates in DAL mode, the Grid LED is illuminated on the refrigerator display.
- DAL mode is automatically deactivated after the period stipulated by the DAL signal (max. 4 hours) or when you override the Smart Grid function.

Temporary Appliance Load Reduction (TALR)

The refrigerator responds to a TALR signal by aggressively reducing the load for a short time period, typically 10 minutes. This mode reduces energy consumption by stopping the compressor and controlling the functions that consume a lot of energy such as the defrost cycle and fan.

- When the refrigerator operates in TALR mode, the Grid LED is illuminated on the refrigerator display.
- TALR mode is automatically deactivated after the received duration (max. 10 minutes), or when you override the Smart Grid function. The mode is immediately deactivated and the refrigerator returns to its normal state when the door is opened or closed, or the dispenser is used.

Override Smart Grid Mode

To ignore the Demand Response signal from the utility company and override the Smart Grid function, push the Smart Grid button while the refrigerator is in Smart Grid mode.

When you override the Smart Grid function, the refrigerator ignores the Demand Response signal and is no longer controlled by the utility company until the next Demand Response signal is sent. You can also override the Smart Grid function using the smart phone app.

LG Open API



You can manage Smart Grid features for the LG Smart Refrigerator.

Please check the detailed specifications on the notice page on us.smarthinq.com.

API List

- Demand Response
 - Send demand response signal
- Power Saving
 - Set saving mode
 - Get schedule of DR/Delay Defrost
- Energy Monitoring
 - Get door open event
 - Get energy consumption
- Delay Defrost Capability
 - Insert a delay defrost schedule event
 - Update a delay defrost schedule event
 - Delete a delay defrost schedule event
 - Get the delay defrost schedule

Smart Diagnosis™ Feature

This feature is only available on models with the  or  logo.

Use this feature to help you diagnose and solve problems with your appliance.

NOTE

- For reasons not attributable to LGE's negligence, the service may not operate due to external factors such as, but not limited to, Wi-Fi unavailability, Wi-Fi disconnection, local app store policy, or app unavailability.
- The feature may be subject to change without prior notice and may have a different form depending on where you are located.

Using LG ThinQ to Diagnose Issues

If you experience a problem with your Wi-Fi equipped appliance, it can transmit troubleshooting data to a smartphone using the **LG ThinQ** application.

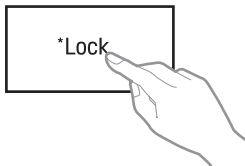
- Launch the **LG ThinQ** application and select the **Smart Diagnosis** feature in the menu. Follow the instructions provided in the **LG ThinQ** application.

Using Audible Diagnosis to Diagnose Issues

Follow the instructions below to use the audible diagnosis method.

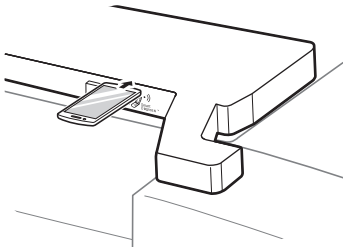
- Launch the **LG ThinQ** application and select the **Smart Diagnosis** feature in the menu. Follow the instructions for audible diagnosis provided in the **LG ThinQ** application.

- 1** Hold the **Lock** button for three seconds.
 - If the display has been locked for over five minutes, you must deactivate the lock and then reactivate it.



- 2** Open the right refrigerator door.

- 3** Hold the mouthpiece of your phone in front of the speaker that is located on the right hinge of the refrigerator door.



- 4** Press and hold the **Freezer** button for three seconds while continuing to hold your phone to the speaker.



- 5** After you hear three beeps, release the **Freezer** button.

- 6** Keep the phone in place until the tone transmission has finished. The display will count down the time. Once the countdown is over and the tones have stopped, the diagnosis will be displayed in the application.

NOTE

- For best results, do not move the phone while the tones are being transmitted.

MAINTENANCE

Cleaning

⚠ WARNING

- Use non-flammable cleaner. Failure to do so can result in fire, explosion, or death.

⚠ CAUTION

- Do not use an abrasive cloth or sponge when cleaning the interior and exterior of the refrigerator.
- Do not place your hand on the bottom surface of the refrigerator when opening and closing the doors.

General Cleaning Tips

- Both the refrigerator and freezer sections defrost automatically; however, clean both sections once a month to prevent odors.
- Wipe up spills immediately.
- Unplug the refrigerator or disconnect power before cleaning.
- Remove all removable parts, such as shelves.
- Use a clean sponge or soft cloth and a mild detergent in warm water. Do not use abrasive or harsh cleaners.
- Hand wash, rinse and dry all surfaces thoroughly.

Exterior

Waxing external painted metal surfaces helps provide rust protection. Do not wax plastic parts. Wax painted metal surfaces at least twice a year using appliance wax (or auto paste wax). Apply wax with a clean, soft cloth.

For products with black stainless steel exterior, spray glass cleaner on a clean, microfiber cloth and rub in direction of grain. Do not spray glass cleaner directly at the display panel. Do not use harsh or abrasive cleaners.

For products with a standard stainless steel exterior, use a damp microfiber cloth and rub in the direction of the grain. Dry with a paper towel to avoid streaks. For stubborn stains and fingerprints, use a few drops of liquid dish soap in water, and rinse with hot water before drying. Do not use abrasive or harsh cleaners.

Inside Walls

- Allow freezer to warm up so the cloth will not stick.

To help remove odors, wash the inside of the refrigerator with a mixture of baking soda and warm water. Mix 2 tablespoons of baking soda to 1 quart of water (26 g soda to 1 liter water.) Be sure the baking soda is completely dissolved so it does not scratch the surfaces of the refrigerator.

Door Liners and Gaskets

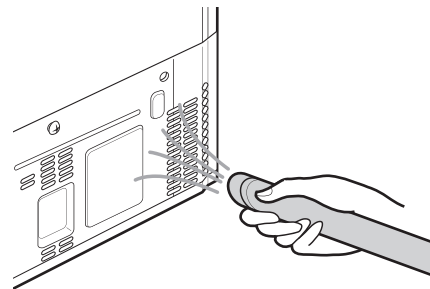
Use a clean sponge or soft cloth and a mild detergent in warm water. Do not use cleaning waxes, concentrated detergents, bleaches, or cleaners containing petroleum on plastic refrigerator parts.

Plastic Parts (Covers and Panels)

Use a clean sponge or soft cloth and a mild detergent in warm water. Do not use glass cleaners, abrasive cleansers, or flammable fluids. These can scratch or damage the material.

Condenser Coils


Use a vacuum cleaner with a brush or crevice attachment to clean the condenser cover and vents. Do not remove the panel covering the condenser coil area.



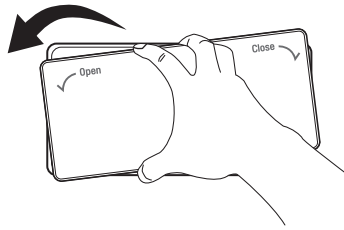
Air Filter

Replacing the Fresh Air Filter

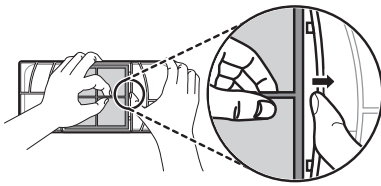
Replace the Fresh Air Filter:

- Approximately every six months.
- When the **Replace Filter**  icon turns on.
- Use replacement air filter: LT120F

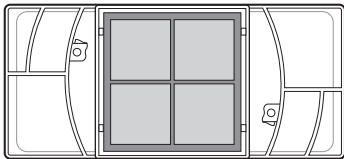
- 1 Rotate the filter cover counterclockwise to release the tabs, and remove the cover.



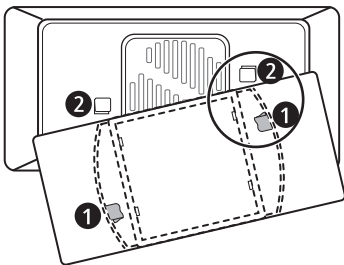
- 2 Remove the filter from the inside of the cover by pressing the side of the filter in and pulling the center out.



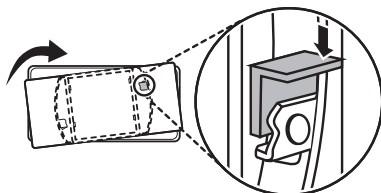
- 3 Place the new filter inside of the cover with the side that says **FRONT** facing outward.



- 4 Align tabs ① on the filter cover with hooks ② on the refrigerator wall.



- 5 Rotate the air filter cover clockwise until the hooks engage and the cover locks in place.



- 6 Press and hold the **Fresh Air Filter** button on the control panel for 3 seconds to reset the filter sensor.

Water Filter

Before Replacing the Water Filter

⚠ WARNING

- To reduce the risk associated with choking, do not allow children under 3 years of age to have access to small parts during the installation of this product.
- To reduce the risk associated with the ingestion of contaminants, do not use with water that is microbiologically unsafe or of unknown quality without adequate disinfection before or after the system. Systems certified for cyst reduction may be used on disinfected water that may contain filterable cysts.
- Use of unauthorized water filters may result in product malfunction, water leakage or water quality issues, which will not be covered under the product warranty.


⚠ CAUTION

- Read and follow Use Instructions before installation and use of this system.
- Installation and use **MUST** comply with all state and local plumbing codes.
- Do not install if water pressure exceeds 120 psi (827 kPa). If your water pressure exceeds 80 psi, you must install a pressure limiting valve. Contact a plumber if uncertain how to check your water pressure.
- Do not install where water hammer conditions may occur. If water hammer conditions exist you must install a water hammer arrester. Contact a plumbing professional if you are uncertain how to check for this condition.
- Do not install on hot water supply lines. The maximum operating water temperature of this filter system is 100 °F (37.8 °C).
- Protect filter from freezing. Drain filter when temperatures drop below 40 °F (4.4 °C).
- The disposable filter cartridge **MUST** be replaced every 6 months, at the rated capacity or if a noticeable reduction in flow rate occurs.
- Protect from freezing, remove filter cartridge when temperatures are expected to drop below 33° F.

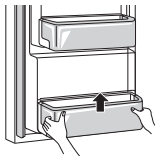
⚠ CAUTION

- Do not install systems in areas where ambient temperatures may go above 110° F (43.3° C).
- Where a backflow prevention device is installed on a water system, a device for controlling pressure due to thermal expansion must be installed.
- Ensure all tubing and fittings are secure and free of leaks.

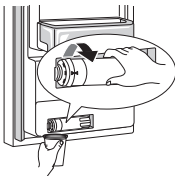
Replacing the Water Filter

- Replace the water filter:
 - Approximately every six months.
 - When the **Replace Filter**  icon turns on.
 - When the water dispenser output decreases.
- To purchase a replacement water filter:
 - Visit your local dealer or distributor
 - Search using "water filter" on lg.com
 - Use replacement cartridge: LT1000P, LT1000PC, LT1000PCS or ADQ747935**

1 Remove the door bin.



2 Remove the disposable water filter.

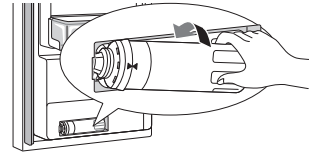


NOTE

- Replacing the water filter causes a small amount of water (around 1 oz. or 25 cc) to drain.
- Wrap a cloth around the front end of the water filter cover to collect any leaking water. Hold the water filter upright, once it is removed, to prevent any remaining water from spilling out of the water filter.

3 Replace with a new water filter. Insert the new filter into the filter head and rotate it clockwise until the arrow on the new filter

lines up with the arrow on the filter head. Swing the filter back into the compartment.



4 Replace the door bin.

5 After changing the filter, press and hold the **Water Filter** button for three seconds to reset the indicator light.

6 After the water filter is replaced, dispense 2.5 gallons of water (flush for approximately 5 minutes) to remove trapped air and contaminants from the system.

NOTE

- Do not dispense the entire 2.5 gallon amount continuously. Press and release the dispenser pad for cycles of 30 seconds ON and 60 seconds OFF.

⚠ CAUTION

- LG strongly recommends that you use LG-authorized water filters to prevent water quality issues, water leakage and appliance malfunction.

For further assistance, call:


- 1-800-243-0000 (USA)
- 1-888-542-2623 (Canada)

Performance Data Sheet

Model: LT1000P, LT1000PC, LT1000PCS

NSF System Trade Name Code: MDJ64844601

The concentration of the indicated substances in water entering the system was reduced to a concentration less than or equal to the permissible limit for water leaving the system as specified in NSF/ANSI Standard 42, Standard 53 and Standard 401.

	System tested and certified by NSF International against NSF/ANSI Standard 42, Standard 53 and Standard 401 for the reduction of substances listed below.
--	---

Substance Reduction	Average Influent Challenge	NSF specified Challenge Concentration	Avg % Reduction	Average Product Water Concentration	Max Permissible Product Water Concentration	NSF Reduction Requirements
Chlorine Taste and Odor	2.0 µg/L	2.0 µg/L ± 10%	>97.5%	0.050 µg/L	N/A	≥ 50.00%
Nominal Particulate Class I, , ≥ 0.5 to < 1.0 µm	12,000,000 pts/mL	At least 10,000 particles/mL	99.80%	24,000 pts/ml	N/A	≥ 85.00%
Asbestos	180 MFL	10 ⁷ to 10 ⁸ MFL; fibers greater than 10 µg/Lin length	>99.00%	< 1 MFL	N/A	≥ 99.00%
Atrazine	8.5 µg/L	9.0 µg/L ± 10%	>94.10%	0.500 µg/L	3.0 µg/L	NA
Benzene	15.0 µg/L	15.0 µg/L ± 10%	>96.60%	0.510 µg/L	5.0 µg/L	NA
Carbofuran	74.0 µg/L	80.0 µg/L ± 10%	98.30%	1.258 µg/L	40 µg/L	NA
Lindane	1.9 µg/L	2.0 µg/L ± 10%	>99.00%	0.019 µg/L	0.2 µg/L	NA
P-Dichlorobenzene	230.0 µg/L	225.0 µg/L ± 10%	>99.80%	0.460 µg/L	75.0 µg/L	NA
2,4-D	210.0 µg/L	210.0 µg/L ± 10%	>99.90%	0.210 µg/L	70.0 µg/L	NA
Lead pH @6.5	140.0 µg/L	150.0 µg/L ± 10%	99.60%	0.560 µg/L	10.0 µg/L	NA
Lead pH @8.5	150.0 µg/L	150.0 µg/L ± 10%	>99.70%	<0.500 µg/L	10.0 µg/L	NA
Mercury @ pH6.5	5.9 µg/L	6.0 µg/L ± 10%	91.00%	0.531 µg/L	2.0 µg/L	NA
Mercury @ pH8.5	5.6 µg/L	6.0 µg/L ± 10%	92.5%	0.420 µg/L	2.0 µg/L	NA
Cyst*	100,000 cysts/L	Minimum 50,000 cysts/L	>99.99%	10 cysts/L	N/A	≥ 99.95%
Atenolol	240 ng/L	200 ± 40% ng/L	> 95.50%	10.80 ng/L	30 ng/L	NA
Carbamazepine	1600 ng/L	1400 ± 40% ng/L	98.40%	25.60 ng/L	200 ng/L	NA
DEET	1600 ng/L	1400 ± 40% ng/L	97.10%	46.40 ng/L	200 ng/L	NA
Trimethoprim	170 ng/L	140 ± 40% ng/L	>96.80%	5.44 ng/L	20 ng/L	NA
Linuron	160 ng/L	140 ± 40% ng/L	>96.60%	5.44 ng/L	20 ng/L	NA
Phenytoin	200 ng/L	200 ± 40% ng/L	>94.80%	10.40 ng/L	30 ng/L	NA
Ibuprofen	400 ng/L	400 ± 40% ng/L	>94.50%	22.00 ng/L	60 ng/L	NA
Naproxen	140 ng/L	140 ± 40% ng/L	>96.10%	5.46 ng/L	20 ng/L	NA
Estrone	120 ng/L	140 ± 40% ng/L	>96.10%	4.68 ng/L	20 ng/L	NA
Bisphenol A	2000 ng/L	2000 ± 40% ng/L	>98.90%	22.00 ng/L	300 ng/L	NA
Nonyl Phenol	1600 ng/L	1400 ± 40% ng/L	>97.10%	46.40 ng/L	200 ng/L	NA

- Based on the use of *Cryptosporidium parvum* oocysts.

Guidelines for Application / Water Supply Parameters	
Service Flow	0.5 gpm (1.9 lpm)
Water Supply	Community or Private Well - Potable Water
Water Pressure	20 - 120 psi (138 - 827 kPa)
Water Temperature	33 °F - 100 °F (0.6 °C - 37.8°C)
Capacity	200 gallons (757 liters)

It is essential that the manufacturer's recommended installation, maintenance and filter replacement requirements be carried out for the product to perform as advertised.

NOTE

- While the testing was performed under standard laboratory conditions, actual performance may vary.

For replacement filters, visit your local dealer or distributor or search under "water filters" on the **lg.com** website.

For further assistance, contact the LG Electronics Customer Information Center.

USA: 1-800-243-0000

Canada: 1-888-542-2623

Replacement Cartridge: LT1000P, LT1000PC, LT1000PCS or ADQ747935**

LG is a trademark of LG Corp.

NSF is a trademark of NSF International.

Manufactured by LG Electronics, INC:

170, Sungsanpaechoungro, Seongsan-gu, Gyeongsangnam-do, THE REPUBLIC OF KOREA

TROUBLESHOOTING

FAQs

Frequently Asked Questions

Q: What are the best temperature settings for my refrigerator and freezer?

A: The default setting for the refrigerator is 37° Fahrenheit (3° Celsius). The default setting for the freezer is 0° Fahrenheit (-18° Celsius). Adjust these settings as necessary to keep food at desired temperatures. Milk should be cold when stored on the inner shelf of the refrigerator. Ice cream should be firm and ice cubes should not melt in the freezer. To switch the display from Fahrenheit to Celsius, press and hold the **Freezer** and **Refrigerator** buttons until you hear a beep and the settings in the display change.

Q: How do I set the refrigerator and freezer temperatures?

A: Continually press the **Refrigerator** or **Freezer** button on the control panel until the desired temperature appears. The numbers will cycle from highest to lowest and then return to the highest again with continuous pressing.

Q: Why do I hear a buzzing noise from my refrigerator periodically?

A: This may happen if you do not have a water source attached to your refrigerator and the icemaker is turned on. If you do not have a water source attached to the back of the refrigerator you should turn the icemaker off.

Q: Why does the icemaker tray look crooked?

A: This is a normal part of the icemaker cycle. The icemaker tray may appear level or with a slight tilt. The change in position is to assist in the freezing process.

Q: My refrigerator is powered on and the controls are working, but it's not cooling and the display shows "OFF" (see below). What is wrong?

A: The refrigerator is in Display Mode. The Display Mode disables all cooling in the refrigerator and freezer sections to conserve energy while on display in a retail store. When activated, OFF is displayed on the control panel and the display remains on for 20 seconds. With either refrigerator door opened, press the **Ice Plus** button 3 times consecutively while pressing the **Refrigerator** button. The control panel beeps and the temperature settings display to confirm that Display Mode is deactivated. Use the same procedure to activate Display Mode.



Before Calling for Service

Review this section before calling for service; doing so will save you both time and money.

Cooling

Problem	Possible Cause & Solution
Refrigerator and Freezer section are not cooling.	The refrigerator control is set to OFF (some models). <ul style="list-style-type: none"> Turn the control ON. Refer to the Setting the Controls section for proper temperature settings.
	Refrigerator is set to Demo Mode. <ul style="list-style-type: none"> Demo Mode allows the lights and control display to work normally while disabling cooling, to save energy while the refrigerator is on the showroom floor. See the FAQs section of this manual for instructions on how to disable Demo Mode.
	Refrigerator is in the defrost cycle. <ul style="list-style-type: none"> During the defrost cycle, the temperature of each compartment may rise slightly. Wait 30 minutes and confirm the proper temperature has been restored once the defrost cycle has completed.
	Refrigerator was recently installed. <ul style="list-style-type: none"> It may take up to 24 hours for each compartment to reach the desired temperature.
	Refrigerator was recently relocated. <ul style="list-style-type: none"> If the refrigerator was stored for a long period of time or moved on its side, it is necessary for the refrigerator to stand upright for 24 hours before connecting it to power.
Cooling system runs too much.	Refrigerator is replacing an older model. <ul style="list-style-type: none"> Modern refrigerators require more operating time but use less energy due to more efficient technology.
	Refrigerator was recently plugged in or power restored. <ul style="list-style-type: none"> The refrigerator will take up to 24 hours to cool completely.
	The door is opened often or a large amount of food / hot food was added. <ul style="list-style-type: none"> Adding food and opening the door warms the refrigerator, requiring the compressor to run longer in order to cool the refrigerator back down. In order to conserve energy, try to get everything you need out of the refrigerator at once, keep food organized so it is easy to find, and close the door as soon as the food is removed. (Refer to the Food Storage Guide.)
	Doors are not closed completely. <ul style="list-style-type: none"> Firmly push the doors shut. If they will not shut all the way, the "Doors will not close correctly or pop open" section in Troubleshooting.
	Refrigerator is installed in a hot location. <ul style="list-style-type: none"> The compressor will run longer under warm conditions. At normal room temperatures (70 °F or 21 °C) expect your compressor to run about 40 % to 80 % of the time. Under warmer conditions, expect it to run even more often. The refrigerator should not be operated above 110 °F (43 °C).
	Condenser / back cover is clogged. <ul style="list-style-type: none"> Use a vacuum cleaner with an attachment to clean the condenser cover and vents. Do not remove the panel covering the condenser coil area.

Problem	Possible Cause & Solution
Interior moisture buildup.	Doors are opened often or for long periods of time. <ul style="list-style-type: none"> When the doors are opened often or for long periods of time, warm, humid air enters the compartment. This raises the temperature and moisture level within the compartment. To lessen the effect, reduce the frequency and duration of door openings.
	Doors are not closed correctly. <ul style="list-style-type: none"> See the "Doors will not close correctly or pop open" section.
	Weather is humid. <ul style="list-style-type: none"> Humid weather allows additional moisture to enter the compartments when the doors are opened leading to condensation or frost. Maintaining a reasonable level of humidity in the home will help to control the amount of moisture that can enter the compartments.
	Defrost cycle recently completed. <ul style="list-style-type: none"> During the defrost cycle, the temperature of each compartment may rise slightly and condensation may form on the back wall. Wait 30 minutes and confirm that the proper temperature has been restored once the defrost cycle has completed.
	Food is not packaged correctly. <ul style="list-style-type: none"> Food stored uncovered or unwrapped, and damp containers can lead to moisture accumulation within each compartment. Wipe all containers dry and store food in sealed packaging to prevent condensation and frost.
Food is freezing in the refrigerator compartment.	Food with high water content was placed near an air vent. <ul style="list-style-type: none"> Rearrange items with high water content away from air vents.
	Refrigerator temperature control is set incorrectly. <ul style="list-style-type: none"> If the temperature is too cold, adjust the control one increment at a time and wait for the temperature to stabilize. Refer to the Control Panel section for more information.
	Refrigerator is installed in a cold location. <ul style="list-style-type: none"> When the refrigerator is operated in temperature below 41 °F (5 °C), food can freeze in the refrigerator compartment. The refrigerator should not be operated in temperature below 55 °F (13 °C).
Refrigerator or Freezer section is too cold.	Incorrect temperature control settings. <ul style="list-style-type: none"> If the temperature is too cold, adjust the control one increment at a time and wait for the temperature to stabilize. Refer to the Control Panel for more information.
Frost or ice crystals form on frozen food (inside of sealed package).	Condensation from food with a high water content has frozen inside of the food package. <ul style="list-style-type: none"> This is normal for food items with a high water content.
	Food has been left in the freezer for a long period of time. <ul style="list-style-type: none"> Do not store food items with high water content in the freezer for a long period of time.
Frost or ice crystals form on frozen food (outside of package).	Door is opened frequently or for long periods of time. <ul style="list-style-type: none"> When the doors are opened often or for long periods of time, warm, humid air enters the compartment. This raises the temperature and moisture level within the compartment. Increased moisture will lead to frost and condensation. To lessen the effect, reduce the frequency and duration of door openings.
	Door is not closing properly. <ul style="list-style-type: none"> Refer to the "Doors will not close correctly or pop open" section in the Troubleshooting.

Problem	Possible Cause & Solution
Refrigerator or Freezer section is too warm.	Refrigerator was recently installed. <ul style="list-style-type: none"> • It may take up to 24 hours for each compartment to reach the desired temperature. The air vents are blocked. Cold air circulates from the freezer to the fresh food section and back again through air vents in the wall dividing the two sections. <ul style="list-style-type: none"> • Locate air vents by using your hand to sense airflow and move all packages that block vents and restrict airflow. Rearrange items to allow air to flow throughout the compartment.
	Doors are opened often or for long periods of time. <ul style="list-style-type: none"> • When the doors are opened often or for long periods of time, warm, humid air enters the compartment. This raises the temperature and moisture level within the compartment. To lessen the effect, reduce the frequency and duration of door openings.
	Unit is installed in a hot location. <ul style="list-style-type: none"> • The refrigerator should not be operated in temperatures above 110 °F (43 °C).
	A large amount of food or hot food was added to either compartment. <ul style="list-style-type: none"> • Adding food warms the compartment requiring the cooling system to run. Allowing hot food to cool to room temperature before putting it in the refrigerator will reduce this effect.
	Doors are not closed correctly. <ul style="list-style-type: none"> • See the "Doors will not close correctly or pop open" section in the Troubleshooting.
	Temperature control is not set correctly. <ul style="list-style-type: none"> • If the temperature is too warm, adjust the control one increment at a time and wait for the temperature to stabilize.
	Defrost cycle has recently completed. <ul style="list-style-type: none"> • During the defrost cycle, the temperature of each compartment may rise slightly and condensation may form on the back wall. Wait 30 minutes and confirm the proper temperature has been restored once the defrost cycle has completed.

Ice & Water

Problem	Possible Cause & Solution
Icemaker is not making enough ice.	Demand exceeds ice storage capacity. <ul style="list-style-type: none"> The icemaker will produce approximately 70-184 cubes in a 24 hour period.
	House water supply is not connected, valve is not turned on fully, or valve is clogged. <ul style="list-style-type: none"> Connect the refrigerator to a cold water supply with adequate pressure and turn the water shutoff valve fully open. If the problem persists, it may be necessary to contact a plumber.
	Water filter has been exhausted. <ul style="list-style-type: none"> Replacing the water filter is recommended: <ul style="list-style-type: none"> Approximately every six months. When the water filter indicator turns on. When the water dispenser output decreases. When the ice cubes are smaller than normal.
	Low house water supply pressure. <ul style="list-style-type: none"> The water pressure must be between 20 and 120 psi on models without a water filter and between 40 and 120 psi on models with a water filter. If the problem persists, it may be necessary to contact a plumber.
	Reverse osmosis filtration system is used. <ul style="list-style-type: none"> Reverse osmosis filtration systems can reduce the water pressure below the minimum amount and result in icemaker issues. (Refer to the Connecting the Water Line section.)
	Tubing connecting refrigerator to house supply valve is kinked. <ul style="list-style-type: none"> The tubing can kink when the refrigerator is moved during installation or cleaning resulting in reduced water flow. Straighten or repair the water supply line and arrange it to prevent future kinks.
	Doors are opened often or for long periods of time. <ul style="list-style-type: none"> If the doors of the unit are opened often, ambient air will warm the refrigerator which will prevent the unit from maintaining the set temperature. Lowering the refrigerator temperature can help, as well as not opening the doors as frequently.
	Doors are not closed completely. <ul style="list-style-type: none"> If the doors are not properly closed, ice production will be affected. See the "Doors will not close correctly or pop open" section in Parts & Features Troubleshooting for more information.
The temperature setting for the freezer is too warm. <ul style="list-style-type: none"> The recommended temperature for the freezer compartment for normal ice production is 0°F. If the freezer temperature is warmer, ice production will be affected. 	

Problem	Possible Cause & Solution
Icemaker is not making ice	Refrigerator was recently installed or icemaker recently connected. <ul style="list-style-type: none"> It may take up to 24 hours for each compartment to reach the desired temperature and for the icemaker to begin making ice.
	Icemaker is not turned on. <ul style="list-style-type: none"> Locate the icemaker ON/OFF and confirm that it is turned on.
	The ice detecting sensor is obstructed. <ul style="list-style-type: none"> Foreign substances or frost on the ice-detecting sensor can interrupt ice production. Make sure that the sensor area is clean at all times for proper operation.
	The refrigerator is not connected to a water supply or the supply shutoff valve is not turned on. <ul style="list-style-type: none"> Connect the refrigerator to the water supply and turn the water shutoff valve fully open.
	Icemaker shutoff (arm or sensor) obstructed. <ul style="list-style-type: none"> If your icemaker is equipped with an ice shutoff arm, make sure that the arm moves freely. If your icemaker is equipped with the electronic ice shutoff sensor, make sure that there is a clear path between the two sensors.
	Reverse osmosis water filtration system is connected to your cold water supply. <ul style="list-style-type: none"> Reverse osmosis filtration systems can reduce the water pressure below the minimum amount and result in icemaker issues. (Refer to the Connecting the Water Line section.)
Ice has bad taste or odor.	Water supply contains minerals such as sulfur. <ul style="list-style-type: none"> A water filter may need to be installed to eliminate taste and odor problems. NOTE: In some cases, a filter may not help. It may not be possible to remove all minerals/odor/taste in all water supplies.
	Icemaker was recently installed. <ul style="list-style-type: none"> Ice that has been stored for too long will shrink, become cloudy, and may develop a stale taste. Throw away old ice and make a new supply.
	The food has not been stored properly in either compartment. <ul style="list-style-type: none"> Rewrap the food. Odors may migrate to the ice if food is not wrapped properly.
	The interior of the refrigerator needs to be cleaned. <ul style="list-style-type: none"> See the Maintenance section for more information.
	The ice storage bin needs to be cleaned. <ul style="list-style-type: none"> Empty and wash the bin (discard old cubes). Make sure that the bin is completely dry before reinstalling it.
Icemaker is making too much ice.	Icemaker shutoff (arm/ sensor) is obstructed. <ul style="list-style-type: none"> Empty the ice bin. If your icemaker is equipped with an ice shutoff arm, make sure that the arm moves freely. If your icemaker is equipped with the electronic ice shutoff sensor, make sure that there is a clear path between the two sensors. Reinstall the ice bin and wait 24 hours to confirm proper operation.

Problem	Possible Cause & Solution
Ice is not dispensing.	<p>Unable to hear the sound of ice coming out?</p> <ul style="list-style-type: none"> In the control panel, select the modes for cubed ice and crushed ice alternately to dispense the ice.
	<p>Doors are not closed completely.</p> <ul style="list-style-type: none"> Ice will not dispense if any of the refrigerator doors are left open.
	<p>Infrequent use of the dispenser.</p> <ul style="list-style-type: none"> Infrequent use of the ice dispenser will cause the cubes to stick together over time, which will prevent them from properly dispensing. Check the ice bin for ice cubes clumping/ sticking together. If they are, break up the ice cubes to allow for proper operation.
	<p>The delivery chute is clogged with frost or ice fragments.</p> <ul style="list-style-type: none"> Eliminate the frost or ice fragments by removing the ice bin and clearing the chute with a plastic utensil. Dispensing cubed ice can also help prevent frost or ice fragment buildup.
	<p>The dispenser display is locked.</p> <ul style="list-style-type: none"> Press and hold the Lock button for three seconds to unlock the control panel and dispenser.
	<p>Ice bin is empty.</p> <ul style="list-style-type: none"> It may take up to 24 hours for each compartment to reach the desired temperature and for the icemaker to begin making ice. Make sure that the shutoff (arm/sensor) is not obstructed. Once the ice supply in the bin has been completely exhausted, it may take up to 90 minutes before additional ice is available, and approximately 24 hours to completely refill the bin.
Water is dispensing slowly.	<p>Water filter has been exhausted.</p> <ul style="list-style-type: none"> Replacing the water filter is recommended: <ul style="list-style-type: none"> Approximately every six months. When the water filter indicator turns on. When the water dispenser output decreases. When the ice cubes are smaller than normal.
	<p>Reverse osmosis filtration system is used.</p> <ul style="list-style-type: none"> Reverse osmosis filtration systems can reduce the water pressure below the minimum amount and result in icemaker issues. If the problem persists, it may be necessary to contact a plumber.
	<p>Low house water supply pressure.</p> <ul style="list-style-type: none"> The water pressure must be between 20 and 120 psi on models without a water filter and between 40 and 120 psi on models with a water filter. If the problem persists, it may be necessary to contact a plumber.

Problem	Possible Cause & Solution
Water is not dispensing.	<p>New installation or water line recently connected.</p> <ul style="list-style-type: none"> • Dispense 2.5 gallons of water (flush for approximately 5 minutes) to remove trapped air and contaminants from the system. Do not dispense the entire 2.5 gallon amount continuously. Depress and release the dispenser pad for cycles of 30 seconds ON and 60 seconds OFF.
	<p>The dispenser panel is locked.</p> <ul style="list-style-type: none"> • Press and hold the Lock button for three seconds to unlock the control panel and dispenser.
	<p>The dispenser is not set for water dispensing.</p> <ul style="list-style-type: none"> • The dispenser can be set for ice or water. Make certain that the control panel is set for the proper operation. Press the Water button on the control panel to dispense water.
	<p>Refrigerator or freezer doors are not closed properly.</p> <ul style="list-style-type: none"> • Water will not dispense if any of the refrigerator doors are left open.
	<p>Water filter has been recently removed or replaced.</p> <ul style="list-style-type: none"> • After the water filter is replaced, dispense 2.5 gallons of water (flush for approximately five minutes) to remove trapped air and contaminants from the system. Do not dispense the entire 2.5 gallon amount continuously. Depress and release the dispenser pad for cycles of 30 seconds ON and 60 seconds OFF.
	<p>Tubing connecting refrigerator to house supply valve is kinked.</p> <ul style="list-style-type: none"> • The tubing can kink when the refrigerator is moved during installation or cleaning. Resulting in reduced water flow. Straighten or repair the water supply line and arrange it to prevent future kinks.
	<p>The house water supply is not connected, the valve is not turned on fully, or the valve is clogged.</p> <ul style="list-style-type: none"> • Connect the refrigerator to the water supply and turn the water shutoff valve fully open. If the problem persists, it may be necessary to contact a plumber.
Dispensing warm water.	<p>Refrigerator was recently installed.</p> <ul style="list-style-type: none"> • Allow 24 hours after installation for the water storage tank to cool completely.
	<p>The water dispenser has been used recently and the storage tank was exhausted.</p> <ul style="list-style-type: none"> • Depending on your specific model, the water storage capacity will range from approximately 20 to 30 oz.
	<p>Dispenser has not been used for several hours.</p> <ul style="list-style-type: none"> • If the dispenser has not been used for several hours, the first glass dispensed may be warm. Discard the first 10oz.
	<p>Refrigerator is connected to the hot water supply.</p> <ul style="list-style-type: none"> • Make sure that the refrigerator is connected to a cold water pipe. <p>WARNING: Connecting the refrigerator to a hot water line may damage the icemaker.</p>

Problem	Possible Cause & Solution
Water has bad taste or odor.	Water supply contains minerals such as sulfur. <ul style="list-style-type: none"> • A water filter may need to be installed to eliminate taste and odor problems.
	Water filter has been exhausted. <ul style="list-style-type: none"> • Replacing the water filter is recommended: <ul style="list-style-type: none"> Approximately every six months. When the water filter indicator turns on. When the water dispenser output decreases. When the ice cubes are smaller than normal.
	Refrigerator was recently installed. <ul style="list-style-type: none"> • Dispense 2.5 gallons of water (flush for approximately 5 minutes) to remove trapped air and contaminants from the system. Do not dispense the entire 2.5 gallon amount continuously. Depress and release the dispenser pad for cycles of 30 seconds ON and 60 seconds OFF.

Parts & Features

Problem	Possible Cause & Solution
Doors will not close correctly or pop open.	Food packages are blocking the door open. <ul style="list-style-type: none"> • Rearrange food containers to clear the door and door shelves.
	Ice bin, crisper cover, pans, shelves, door bins, or baskets are out of position. <ul style="list-style-type: none"> • Push bins all the way in and put crisper cover, pans, shelves and baskets into their correct positions. See the Operation section for more information.
	The doors were removed during product installation and not properly replaced. <ul style="list-style-type: none"> • Remove and replace the doors according to the Removing and Replacing Refrigerator Handles and Doors section.
	Refrigerator is not leveled properly. <ul style="list-style-type: none"> • See Door Alignment in the Refrigeration Installation section to level refrigerator.
Doors are difficult to open.	The gaskets are dirty or sticky. <ul style="list-style-type: none"> • Clean the gaskets and the surfaces that they touch. Rub a thin coat of appliance polish or kitchen wax on the gaskets after cleaning.
	Door was recently closed. <ul style="list-style-type: none"> • When you open the door, warmer air enters the refrigerator. As the warm air cools, it can create a vacuum. If the door is hard to open, wait one minute to allow the air pressure to equalize, then see if it opens more easily.
Refrigerator wobbles or seems unstable	Leveling legs are not adjusted properly. <ul style="list-style-type: none"> • Refer to the Leveling and Door Alignment section.
	Floor is not level. <ul style="list-style-type: none"> • It may be necessary to add shims under the leveling legs or rollers to complete installation.
Lights do not work.	LED interior lighting failure. <ul style="list-style-type: none"> • The refrigerator compartment lamp is LED interior lighting, and service should be performed by a qualified technician.
Refrigerator has an unusual odor.	The Air Filter may need to be set to the MAX setting or replaced. <ul style="list-style-type: none"> • Set the Air Filter to the MAX setting. If the odor does not go away within 24 hours, the filter may need to be replaced. See the Replacing the Air Filter section for replacement instructions.

Problem	Possible Cause & Solution
The interior of the refrigerator is covered with dust or soot.	<p>The refrigerator is located near a fire source, such as a fireplace, chimney, or candle.</p> <ul style="list-style-type: none"> Make sure that the refrigerator is not located near a fire source, such as a fireplace, chimney or candle.

Noises

Problem	Possible Cause & Solution
Clicking	<p>The defrost control will click when the automatic defrost cycle begins and ends. The thermostat control (or refrigerator control on some models) will also click when cycling on and off.</p> <ul style="list-style-type: none"> Normal Operation
Rattling	<p>Rattling noises may come from the flow of refrigerant, the water line on the back of the unit, or items stored on top of or around the refrigerator.</p> <ul style="list-style-type: none"> Normal Operation
	<p>Refrigerator is not resting solidly on the floor.</p> <ul style="list-style-type: none"> Floor is weak or uneven or leveling legs need to be adjusted. See the Leveling and Door Alignment section.
	<p>Refrigerator with linear compressor was jarred while running.</p> <ul style="list-style-type: none"> Normal Operation
Whooshing	<p>Evaporator fan motor is circulating air through the refrigerator and freezer compartments.</p> <ul style="list-style-type: none"> Normal Operation
	<p>Air is being forced over the condenser by the condenser fan.</p> <ul style="list-style-type: none"> Normal Operation
Gurgling	<p>Refrigerant flowing through the cooling system.</p> <ul style="list-style-type: none"> Normal Operation
Popping	<p>Contraction and expansion of the inside walls due to changes in temperature.</p> <ul style="list-style-type: none"> Normal Operation
Sizzling	<p>Water dripping on the defrost heater during a defrost cycle.</p> <ul style="list-style-type: none"> Normal Operation
Vibrating	<p>If the side or back of the refrigerator is touching a cabinet or wall, some of the normal vibrations may make an audible sound.</p> <ul style="list-style-type: none"> To eliminate the noise, make sure that the sides and back cannot vibrate against any wall or cabinet.
Dripping	<p>Water running into the drain pan during the defrost cycle.</p> <ul style="list-style-type: none"> Normal Operation
Pulsating or high-pitched sound	<p>Your refrigerator is designed to run more efficiently to keep your food items at the desired temperature. The high efficiency compressor may cause your new refrigerator to run longer than your old one, but it is still more energy efficient than previous models. While the refrigerator is running, it is normal to hear a pulsating or high-pitched sound.</p> <ul style="list-style-type: none"> Normal Operation

Wi-Fi

Problem	Possible Cause & Solution
Trouble connecting appliance and smartphone to Wi-Fi network	The password for the Wi-Fi network was entered incorrectly. <ul style="list-style-type: none"> • Delete your home Wi-Fi network and begin the registration process again.
	Mobile data for your smartphone is turned on. <ul style="list-style-type: none"> • Turn off the Mobile data on your smartphone before registering the appliance.
	The wireless network name (SSID) is set incorrectly. <ul style="list-style-type: none"> • The wireless network name (SSID) should be a combination of English letters and numbers. (Do not use special characters.)
	The router frequency is not 2.4 GHz. <ul style="list-style-type: none"> • Only a 2.4 GHz router frequency is supported. Set the wireless router to 2.4 GHz and connect the appliance to the wireless router. To check the router frequency, check with your Internet service provider or the router manufacturer.
	The distance between the appliance and the router is too far. <ul style="list-style-type: none"> • If the appliance is too far from the router, the signal may be weak and the connection may not be configured correctly. Move the router closer to the appliance or purchase and install a Wi-Fi repeater.

LIMITED WARRANTY

For USA

TERMS AND CONDITIONS

ARBITRATION NOTICE: THIS LIMITED WARRANTY CONTAINS AN ARBITRATION PROVISION THAT REQUIRES YOU AND LG TO RESOLVE DISPUTES BY BINDING ARBITRATION INSTEAD OF IN COURT, UNLESS YOU CHOOSE TO OPT OUT. IN ARBITRATION, CLASS ACTIONS AND JURY TRIALS ARE NOT PERMITTED. PLEASE SEE THE SECTION TITLED "PROCEDURE FOR RESOLVING DISPUTES" BELOW.

Should your LG Refrigerator ("Product") fail due to a defect in materials or workmanship under normal and proper use, during the warranty period set forth below, LG Electronics ("LG") will, at its option, repair or replace the Product. This limited warranty is valid only to the original retail purchaser of the Product and applies only when purchased and used within the United States including U.S. Territories.

WARRANTY PERIOD			
Refrigerator/Freezer	Sealed System (Condenser, Dryer, Connecting Tube and Evaporator)	Compressor	
One (1) year from the date of original retail purchase	Five (5) years from the date of original retail purchase	Five (5) years from the date of original retail purchase	Linear / Inverter Compressor Only : Parts Only for years 6-10 from the date of original retail purchase (Consumer will be charged for labor)
Parts and Labor (internal/functional parts only)	Parts and Labor	Parts and Labor	

- Replacement products and parts are warranted for the remaining portion of the original warranty period or ninety (90) days, whichever is greater.
- Replacement products and parts may be new, reconditioned, refurbished, or otherwise factory remanufactured.
- Proof of original retail purchase specifying the Product model and date of purchase is required to obtain warranty service under this limited warranty.

EXCEPT TO THE EXTENT PROHIBITED BY APPLICABLE LAW, ANY IMPLIED WARRANTY OF MERCHANTABILITY OR FITNESS FOR A PARTICULAR PURPOSE ON THE PRODUCT IS LIMITED IN DURATION TO THE DURATION OF THE ABOVE LIMITED WARRANTY. UNDER NO CIRCUMSTANCES SHALL LG OR ITS U.S. DISTRIBUTORS/DEALERS BE LIABLE FOR ANY INDIRECT, INCIDENTAL, CONSEQUENTIAL, SPECIAL, OR PUNITIVE DAMAGES, INCLUDING, WITHOUT LIMITATION, LOST GOODWILL, LOST REVENUES OR PROFITS, WORK STOPPAGE, IMPAIRMENT OF OTHER GOODS, COST OF REMOVAL AND REINSTALLATION OF THE PRODUCT, LOSS OF USE, OR ANY OTHER DAMAGES WHETHER BASED IN CONTRACT, TORT, OR OTHERWISE. LG'S TOTAL LIABILITY, IF ANY, SHALL NOT EXCEED THE PURCHASE PRICE PAID BY YOU FOR THE PRODUCT.

Some states do not allow the exclusion or limitation of incidental or consequential damages or limitations on how long an implied warranty lasts, so the above exclusions or limitations may not apply to you. This limited warranty gives you specific legal rights and you may also have other rights that vary from state to state.

THIS LIMITED WARRANTY DOES NOT COVER:

- Service trips to deliver, pick up, or install, educate how to operate, correct wiring, or correct unauthorized repairs.
- Damage or failure of the Product to perform during power failures and interrupted or inadequate electrical service.

- Damage or failure caused by leaky or broken water pipes, frozen water pipes, restricted drain lines, inadequate or interrupted water supply or inadequate supply of air.
- Damage resulting from operating the product in a corrosive atmosphere or contrary to the product owner's manual.
- Damage or failure to the Product caused by accidents, pests and vermin, lightning, wind, fire, floods, acts of God, or any other causes beyond the control of LG.
- Damage or failure caused by unauthorized modification or alteration, or if used for other than the intended purpose.
- Damage or failure resulting from misuse, abuse, improper installation, repair, or maintenance. Improper repair includes use of parts not authorized by LG. Improper installation or maintenance includes installation or maintenance contrary to the Product owner's manual.
- Damage or failure caused by incorrect electrical current, voltage, or plumbing codes.
- Damage or failure caused by transportation and handling, including scratches, dents, chips, and/or other damage to the finish of the Product, unless such damage is reported within one (1) week of delivery.
- Damage or missing items to any display, open box, or discounted Product.
- Refurbished Product or any Product sold "As Is", "Where Is", "With all Faults", or similar disclaimer.
- Products with original serial numbers that have been removed, altered, or cannot be readily determined.
- Increases in utility costs and additional utility expenses.
- Any noises associated with normal operation.
- Use of accessories (e.g., water filters, etc.), components, or consumable cleaning products that are not authorized by LG.
- Replacement of light bulbs, filters, or any consumable parts.
- When Product is used for other than normal and proper household use (e.g. commercial or industrial use, offices, and recreational facilities or vehicles) or contrary to the instructions outlined in the Product's owner's manual.
- Costs associated with removal and reinstallation of your Product for repairs.
- Shelves, door bins, drawers, handle and accessories, except for internal/functional parts covered under this limited warranty.

The cost of repair or replacement under these excluded circumstances shall be borne by the consumer.

TO OBTAIN WARRANTY SERVICE AND ADDITIONAL INFORMATION

Call 1-800-243-0000 and select the appropriate option from the menu.

Or visit our website at <http://www.lg.com>

Or by mail: LG Electronics Customer Service P.O. Box 240007 Huntsville, AL 35813 ATTN: CIC

PROCEDURE FOR RESOLVING DISPUTES:

ALL DISPUTES BETWEEN YOU AND LG ARISING OUT OF OR RELATING IN ANY WAY TO THIS LIMITED WARRANTY OR THE PRODUCT SHALL BE RESOLVED EXCLUSIVELY THROUGH BINDING ARBITRATION, AND NOT IN A COURT OF GENERAL JURISDICTION. BINDING ARBITRATION MEANS THAT YOU AND LG ARE EACH WAIVING THE RIGHT TO A JURY TRIAL AND TO BRING OR PARTICIPATE IN A CLASS ACTION.

Definitions. For the purposes of this section, references to "LG" mean LG Electronics U.S.A., Inc., its parents, subsidiaries and affiliates, and each of their officers, directors, employees, agents, beneficiaries, predecessors in interest, successors, assigns and suppliers; references to "dispute" or "claim" shall include any dispute, claim or controversy of any kind whatsoever (whether based in contract, tort, statute, regulation, ordinance, fraud, misrepresentation or any other legal or equitable theory) arising out of or relating in any way to the sale, condition or performance of the product or this Limited Warranty.

Notice of Dispute. In the event you intend to commence an arbitration proceeding, you must first notify LG in writing at least 30 days in advance of initiating the arbitration by sending a letter to LG at LG

Electronics, USA, Inc. Attn: Legal Department- Arbitration 1000 Sylvan Ave, Englewood Cliffs 07632. You and LG agree to engage in good faith discussions in an attempt to amicably resolve your claim. The notice must provide your name, address, and telephone number; identify the product that is the subject of the claim; and describe the nature of the claim and the relief being sought. If you and LG are unable to resolve the dispute within 30 days, either party may proceed to file a claim for arbitration.

Agreement to Binding Arbitration and Class Action Waiver. Upon failure to resolve the dispute during the 30 day period after sending written notice to LG, you and LG agree to resolve any claims between us only by binding arbitration on an individual basis, unless you opt out as provided below. Any dispute between you and LG shall not be combined or consolidated with a dispute involving any other person's or entity's product or claim. More specifically, without limitation of the foregoing, any dispute between you and LG shall not under any circumstances proceed as part of a class or representative action. Instead of arbitration, either party may bring an individual action in small claims court, but that small claims court action may not be brought on a class or representative basis.

Arbitration Rules and Procedures. To begin arbitration of a claim, either you or LG must make a written demand for arbitration. The arbitration will be administered by the American Arbitration Association ("AAA") and will be conducted before a single arbitrator under the AAA's Consumer Arbitration Rules that are in effect at the time the arbitration is initiated (referred to as the "AAA Rules") and under the procedures set forth in this section. The AAA Rules are available online at www.adr.org/consumer. Send a copy of your written demand for arbitration, as well as a copy of this provision, to the AAA in the manner described in the AAA Rules. You must also send a copy of your written demand to LG at LG Electronics, USA, Inc. Attn: Legal Department- Arbitration 1000 Sylvan Avenue Englewood Cliffs, NJ 07632. If there is a conflict between the AAA Rules and the rules set forth in this section, the rules set forth in this section will govern. This arbitration provision is governed by the Federal Arbitration Act. Judgment may be entered on the arbitrator's award in any court of competent jurisdiction. All issues are for the arbitrator to decide, except that issues relating to the scope and enforceability of the arbitration provision and to the arbitrability of the dispute are for the court to decide. The arbitrator is bound by the terms of this provision.

Governing Law. The law of the state of your residence shall govern this Limited Warranty and any disputes between us except to the extent that such law is preempted by or inconsistent with applicable federal law.

Fees/Costs. You do not need to pay any fee to begin an arbitration. Upon receipt of your written demand for arbitration, LG will promptly pay all arbitration filing fees to the AAA unless you seek more than \$25,000 in damages, in which case the payment of these fees will be governed by the AAA Rules. Except as otherwise provided for herein, LG will pay all AAA filing, administration and arbitrator fees for any arbitration initiated in accordance with the AAA Rules and this arbitration provision. If you prevail in the arbitration, LG will pay your attorneys' fees and expenses as long as they are reasonable, by considering factors including, but not limited to, the purchase amount and claim amount. Notwithstanding the foregoing, if applicable law allows for an award of reasonable attorneys' fees and expenses, an arbitrator can award them to the same extent that a court would. If the arbitrator finds either the substance of your claim or the relief sought in the demand is frivolous or brought for an improper purpose (as measured by the standards set forth in Federal Rule of Civil Procedure 11(b)), then the payment of all arbitration fees will be governed by the AAA Rules. In such a situation, you agree to reimburse LG for all monies previously disbursed by it that are otherwise your obligation to pay under the AAA Rules. Except as otherwise provided for, LG waives any rights it may have to seek attorneys' fees and expenses from you if LG prevails in the arbitration.

Hearings and Location. If your claim is for \$25,000 or less, you may choose to have the arbitration conducted solely on the basis of (1) documents submitted to the arbitrator, (2) through a telephonic hearing, or (3) by an in-person hearing as established by the AAA Rules. If your claim exceeds \$25,000, the right to a hearing will be determined by the AAA Rules. Any in-person arbitration hearings will be held at a location within the federal judicial district in which you reside unless we both agree to another location or we agree to a telephonic arbitration.

Opt Out. You may opt out of this dispute resolution procedure. If you opt out, neither you nor LG can require the other to participate in an arbitration proceeding. To opt out, you must send notice to LG no later than 30 calendar days from the date of the first consumer purchaser's purchase of the product by either: (i) sending an e-mail to optout@lge.com, with the subject line: "Arbitration Opt Out" or (ii) calling 1-800-980-2973. You must include in the opt out e-mail or provide by telephone: (a) your name and address; (b) the date on which the product was purchased; (c) the product model name or model number; and (d)

62 LIMITED WARRANTY

the serial number (the serial number can be found (i) on the product; or (ii) online by accessing <https://www.lg.com/us/support/repair-service/schedule-repair> continued and clicking on "Find My Model & Serial Number").

You may only opt out of the dispute resolution procedure in the manner described above (that is, by e-mail or telephone); no other form of notice will be effective to opt out of this dispute resolution procedure. Opting out of this dispute resolution procedure will not affect the coverage of the Limited Warranty in any way, and you will continue to enjoy the full benefits of the Limited Warranty. If you keep this product and do not opt out, then you accept all terms and conditions of the arbitration provision described above.

For Canada

TERMS AND CONDITIONS

ARBITRATION NOTICE: THIS LIMITED WARRANTY CONTAINS AN ARBITRATION PROVISION THAT REQUIRES YOU AND LG TO RESOLVE DISPUTES BY BINDING ARBITRATION INSTEAD OF IN COURT, UNLESS THE LAWS OF YOUR PROVINCE OR TERRITORY DO NOT PERMIT THAT, OR, IN OTHER JURISDICTIONS, IF YOU CHOOSE TO OPT OUT. IN ARBITRATION, CLASS ACTIONS AND JURY TRIALS ARE NOT PERMITTED. PLEASE SEE THE SECTION TITLED "PROCEDURE FOR RESOLVING DISPUTES" BELOW.

Should your LG Refrigerator ("Product") fail due to a defect in materials or workmanship under normal and proper use, during the warranty period set forth below, LG Electronics Canada, Inc. ("LGECI") will, at its option, repair or replace the Product upon receipt of proof of the original retail purchase. This limited warranty is valid only to the original retail purchaser of the Product and applies only to a Product distributed, purchased and used within Canada, as determined at the sole discretion of LGECI.

WARRANTY PERIOD (Note: If the original date of purchase cannot be verified, the warranty will begin sixty (60) days from the date of manufacture)			
Refrigerator	Sealed System (Condenser, Dryer, Connecting Tube and Evaporator)		Linear / Inverter Compressor
One (1) year from the date of original retail purchase	One (1) year from the date of original retail purchase	Seven (7) years from the date of original retail purchase	Ten (10) years from the date of original retail purchase
Parts and Labor (internal/functional parts only)	Parts and Labor	Parts only (Consumer will be charged for labor)	Part only (Consumer will be charged for labor)

- Replacement products and parts are warranted for the remaining portion of the original warranty period or ninety (90) days, whichever is greater.
- Replacement products and parts may be new, reconditioned, refurbished, or otherwise factory remanufactured, all at the sole discretion of LGECI.
- Proof of original retail purchase specifying the Product model and date of purchase is required to obtain warranty service under this Limited Warranty.

LGECI'S SOLE LIABILITY IS LIMITED TO THE LIMITED WARRANTY SET OUT ABOVE. EXCEPT AS EXPRESSLY PROVIDED ABOVE, LGECI MAKES NO, AND HEREBY DISCLAIMS, ALL OTHER WARRANTIES AND CONDITIONS RESPECTING THE PRODUCT, WHETHER EXPRESS OR IMPLIED, INCLUDING BUT NOT LIMITED TO, ANY IMPLIED WARRANTY OR CONDITION OF MERCHANTABILITY OR FITNESS FOR A PARTICULAR PURPOSE, AND NO REPRESENTATIONS SHALL BE BINDING ON LGECI. LGECI DOES NOT AUTHORIZE ANY PERSON TO CREATE OR ASSUME FOR IT ANY OTHER WARRANTY OBLIGATION OR LIABILITY IN CONNECTION WITH THE PRODUCT. TO THE EXTENT THAT ANY WARRANTY OR CONDITION IS IMPLIED BY LAW, IT IS LIMITED TO THE WARRANTY PERIOD SET OUT ABOVE. UNDER NO CIRCUMSTANCES SHALL LGECI, THE MANUFACTURER OR DISTRIBUTOR OF THE PRODUCT, BE LIABLE FOR ANY INCIDENTAL, CONSEQUENTIAL, SPECIAL, DIRECT, INDIRECT, PUNITIVE OR EXEMPLARY DAMAGES, INCLUDING, WITHOUT LIMITATION, LOSS OF GOODWILL, LOST PROFITS, LOSS OF ANTICIPATED PROFITS, LOST REVENUE, LOSS OF USE, OR ANY OTHER DAMAGE, WHETHER ARISING DIRECTLY OR INDIRECTLY FROM ANY CONTRACTUAL BREACH, FUNDAMENTAL BREACH, TORT OR OTHERWISE, OR FROM ANY ACTS OR OMISSIONS. LGECI'S TOTAL LIABILITY, IF ANY, SHALL NOT EXCEED THE PURCHASE PRICE PAID BY YOU FOR THE PRODUCT.

This Limited Warranty gives you specific legal rights. You may also have other rights that vary from province to province depending on applicable provincial laws. Any term of this Limited Warranty that negates or varies any implied condition or warranty under provincial law is severable where it conflicts with such provincial law without affecting the remainder of this warranty's terms.

THIS LIMITED WARRANTY DOES NOT COVER:

- Service trips to i) deliver, pick up, or install or; educate on how to operate the Product; ii) correct wiring or plumbing; or iii) correct unauthorized repairs or installations of the Product;
- Damage or failure of the Product to perform during power failures and interrupted or inadequate electrical service;
- Damage or failure caused by leaky or broken water pipes, frozen water pipes, restricted drain lines, inadequate or interrupted water supply or inadequate supply of air;
- Damage or failure resulting from operating the Product in a corrosive atmosphere or contrary to the instructions outlined in the Product's owner's manual;
- Damage or failure to the Product caused by accidents, pests and vermin, lightning, wind, fire, floods, acts of God, or any other causes beyond the control of LGECI or the manufacturer;
- Damage or failure resulting from misuse, abuse, improper installation, repair, or maintenance of the Product. Improper repair includes use of parts not authorized or specified by LGECI. Improper installation or maintenance includes installation or maintenance contrary to the Product's owner's manual;
- Damage or failure caused by unauthorized modification or alteration of the Product, or if used for other than the intended household purpose/use of the Product, or damage or failure resulting from any water leakage due to improper installation of the Product;
- Damage or failure caused by incorrect electrical current, voltage or plumbing codes;
- Damage or failure caused by use that is other than normal household use, including, without limitation, commercial or industrial use, including use in commercial offices or recreational facilities, or as otherwise outlined in the Product's owner's manual;
- Damage or failure caused by the use of any accessories, components or cleaning products, including, without limitation, water filters, that are not approved/authorized by LGECI;
- Replacement of the water filter cartridge due to water pressure that is outside the specified operating range or due to excessive sediment in the water supply;
- Damage or failure caused by transportation and handling, including scratches, dents, chips and/or other damage to the finish of the Product, unless such damage results from defects in materials or workmanship and is reported to LGECI within one (1) week of delivery of the Products;
- Damage or missing items to any display, open box, refurbished or discounted Product;
- Refurbished Product or any Product sold "As Is", "Where Is", "With all Faults", or any similar disclaimer;
- Products with original serial numbers that have been removed, altered or cannot be readily determined at the discretion of LGECI;
- Increases in utility costs and additional utility expenses in any way associated with the Product;
- Any noises associated with normal operation of the Product;
- Replacement of light bulbs, filters, fuses or any other consumable parts;
- Replacement of any part that was not originally included with the Product;
- Costs associated with removal and/or reinstallation of the Product for repairs; and
- Shelves, door bins, drawers, handle and accessories to the Product, except for internal/functional parts covered under this Limited Warranty.
- Coverage for "in Home" repairs, for products in-warranty, will be provided if the Product is within a 150 km radius from the nearest authorized service center (ASC), as determined by LG Canada. If your Product is located outside a 150 km radius from a ASC, as determined by LG Canada, it will be your responsibility to bring the Product, at your sole expense, to the ASC for in-warranty repair.

All costs and expenses associated with the above excluded circumstances, listed under the heading, This Limited Warranty Does Not Cover, shall be borne by the consumer.

TO OBTAIN WARRANTY SERVICE AND ADDITIONAL INFORMATION, PLEASE CALL OR VISIT OUR WEBSITE:

Call 1-888-542-2623 (7 A.M. to 12 A.M., 365 days a year) and select the appropriate option from the menu, or visit our website at <http://www.lg.com>

PROCEDURE FOR RESOLVING DISPUTES:

EXCEPT WHERE PROHIBITED AT LAW, ALL DISPUTES BETWEEN YOU AND LG ARISING OUT OF OR RELATING IN ANY WAY TO THIS LIMITED WARRANTY OR THE PRODUCT SHALL BE RESOLVED EXCLUSIVELY THROUGH BINDING ARBITRATION, AND NOT IN A COURT OF GENERAL JURISDICTION. EXCEPT WHERE PROHIBITED AT LAW, YOU AND LG BOTH IRREVOCABLY AGREE TO WAIVE THE RIGHT TO A JURY TRIAL AND TO BRING OR PARTICIPATE IN A CLASS ACTION.

Definitions. For the purposes of this section, references to “LG” mean LG Electronics Canada, Inc., its parents, subsidiaries and affiliates, and each of their officers, directors, employees, agents, beneficiaries, predecessors in interest, successors, assigns and suppliers; references to “dispute” or “claim” shall include any dispute, claim or controversy of any kind whatsoever (whether based in contract, tort, statute, regulation, ordinance, fraud, misrepresentation or any other legal or equitable theory) arising out of or relating in any way to the sale, condition or performance of the product or this Limited Warranty.

Notice of Dispute. In the event you intend to commence an arbitration proceeding, you must first notify LG in writing at least 30 days in advance of initiating the arbitration by sending a letter to LGECI Legal Team at 20 Norelco Drive, North York, Ontario, Canada M9L 2X6 (the “Notice of Dispute”). You and LG agree to engage in good faith discussions in an attempt to amicably resolve your claim. The notice must provide your name, address, and telephone number; identify the product that is the subject of the claim; and describe the nature of the claim and the relief being sought. If you and LG are unable to resolve the dispute within 30 days of LG’s receipt of the Notice of Dispute, the dispute shall be resolved by binding arbitration in accordance with the procedure set out herein. You and LG both agree that, during the arbitration proceeding, the terms (including any amount) of any settlement offer made by either you or LG will not be disclosed to the arbitrator until the arbitrator determines the dispute.

Agreement to Binding Arbitration and Class Action Waiver. Upon failure to resolve the dispute during the 30 day period after LG’s receipt of the Notice of Dispute, you and LG agree to resolve any claims between you and LG only by binding arbitration on an individual basis, unless you opt out as provided below, or you reside in a jurisdiction that prevents full application of this clause in the circumstances of the claims at issue (in which case if you are a consumer, this clause will only apply if you expressly agree to the arbitration). To the extent permitted by applicable law, any dispute between you and LG shall not be combined or consolidated with a dispute involving any other person’s or entity’s product or claim. More specifically, without limitation of the foregoing, except to the extent such a prohibition is not permitted at law, any dispute between you and LG shall not under any circumstances proceed as part of a class or representative action. Instead of arbitration, either party may bring an individual action in small claims court, but that small claims court action may not be brought on a class or representative basis except to the extent this prohibition is not permitted at law in your province or territory of jurisdiction as it relates to the claims at issue between you and LG.

Arbitration Rules and Procedures. To begin arbitration of a claim, either you or LG must make a written demand for arbitration. The arbitration will be private and confidential, and conducted on a simplified and expedited basis before a single arbitrator chosen by the parties under the provincial or territorial commercial arbitration law and rules of the province or territory of your residence. You must also send a copy of your written demand to LG at LG Electronics, Canada, Inc., Attn: Legal Department- Arbitration, 20 Norelco Drive, North York, Ontario M9L 2X6. This arbitration provision is governed by your applicable provincial or territorial commercial arbitration legislation. Judgment may be entered on the arbitrator’s award in any court of competent jurisdiction. All issues are for the arbitrator to decide, except that, issues relating to the scope and enforceability of the arbitration provision and to the arbitrability of the dispute are for the court to decide. The arbitrator is bound by the terms of this provision.

Governing Law. The law of the province or territory of your purchase shall govern this Limited Warranty and any disputes between you and LG except to the extent that such law is preempted by or inconsistent with applicable federal or provincial/territorial law. Should arbitration not be permitted for any claim, action, dispute or controversy between you and LG, you and LG attorn to the exclusive jurisdiction of the courts of the province or territory of your purchase for the resolution of the claim, action, dispute or controversy between you and LG.

Fees/Costs. You do not need to pay any fee to begin an arbitration. Upon receipt of your written demand for arbitration, LG will promptly pay all arbitration filing fees unless you seek more than \$25,000 in damages, in which case the payment of these fees will be governed by the applicable arbitration rules. Except as otherwise provided for herein, LG will pay all filing, administration and arbitrator fees for any arbitration initiated in accordance with the applicable arbitration rules and this arbitration provision. If you prevail in the arbitration, LG will pay your attorneys’ fees and expenses as long as they are reasonable, by

considering factors including, but not limited to, the purchase amount and claim amount. Notwithstanding the foregoing, if applicable law allows for an award of reasonable attorneys' fees and expenses, an arbitrator can award them to the same extent that a court would. If the arbitrator finds either the substance of your claim or the relief sought in the demand is frivolous or brought for an improper purpose (as measured by the applicable laws), then the payment of all arbitration fees will be governed by the applicable arbitration rules. In such a situation, you agree to reimburse LG for all monies previously disbursed by it that are otherwise your obligation to pay under the applicable arbitration rules. Except as otherwise provided for, LG waives any rights it may have to seek attorneys' fees and expenses from you if LG prevails in the arbitration.

Hearings and Location. If your claim is for \$25,000 or less, you may choose to have the arbitration conducted solely (1) on the basis of documents submitted to the arbitrator, (2) through a telephonic hearing, or (3) by an in-person hearing as established by the applicable arbitration rules. If your claim exceeds \$25,000, the right to a hearing will be determined by the applicable arbitration rules. Any in-person arbitration hearings will be held at the nearest, most mutually-convenient arbitration location available within the province or territory in which you reside unless you and LG both agree to another location or agree to a telephonic arbitration.

Severability and Waiver. If any portion of this Limited Warranty (including these arbitration procedures) is unenforceable, the remaining provisions will continue in full force and effect to the maximum extent permitted by applicable law. Should LG fail to enforce strict performance of any provision of this Limited Warranty (including these arbitration procedures), it does not mean that LG intends to waive or has waived any provision or part of this Limited Warranty.

Opt Out. You may opt out of this dispute resolution procedure. If you opt out, neither you nor LG can require the other to participate in an arbitration proceeding. To opt out, you must send notice to LG no later than 30 calendar days from the date of the first consumer purchaser's purchase of the product by either (i) sending an e-mail to optout@lge.com, with the subject line: "Arbitration Opt Out;" or (ii) calling 1-800-980-2973. You must include in the opt out e-mail or provide by telephone: (a) your name and address; (b) the date on which the product was purchased; (c) the product model name or model number; and (d) the serial number (the serial number can be found (i) on the product; or (ii) online by accessing https://www.lg.com/ca_en/support/repair-service/schedule-repair and clicking on "Find My Model & Serial Number").

In the event that you "Opt Out", the law of the province or territory of your residence shall govern this Limited Warranty and any disputes between you and LG except to the extent that such law is preempted by or inconsistent with applicable federal or provincial/territorial law. Should arbitration not be permitted for any claim, action, dispute or controversy between you and LG, you and LG agree to attorn to the exclusive jurisdiction of the courts of the province or territory of your residence for the resolution of the claim, action, dispute or controversy between you and LG.

You may only opt out of the dispute resolution procedure in the manner described above (that is, by e-mail or telephone); no other form of notice will be effective to opt out of this dispute resolution procedure. Opting out of this dispute resolution procedure will not affect the coverage of the Limited Warranty in any way, and you will continue to enjoy the full benefits of the Limited Warranty. If you keep this product and do not opt out, then you accept all terms and conditions of the arbitration provision described above.

Conflict of Terms. In the event of a conflict or inconsistency between the terms of this Limited Warranty and the End User License Agreement ("EULA") in regards to dispute resolution, the terms of this Limited Warranty shall control and govern the rights and obligations of the parties and shall take precedence over the EULA.



LG

Life's Good



MANUAL DEL PROPIETARIO

REFRIGERADOR CON PUERTA FRANCESA

Lea detenidamente el manual del propietario antes de poner el electrodoméstico en funcionamiento y consérvelo a mano en todo momento para su referencia.

ÍNDICE

3 INSTRUCCIONES DE SEGURIDAD

- 3 LEA TODAS LAS INSTRUCCIONES ANTES DE UTILIZAR
- 3 ADVERTENCIA
- 6 PRECAUCIÓN

8 DESCRIPCIÓN GENERAL DEL PRODUCTO

- 8 Características del Producto

12 INSTALACIÓN

- 12 Antes de la Instalación
- 13 Elección de la ubicación adecuada
- 15 Removiendo/Ensamblando Agarradores
- 16 Removiendo/Ensamblando las Puertas y Estantes.
- 21 Conectando la línea de agua
- 24 Nivelando y Alineando la Puerta
- 25 Encendido

27 FUNCIONAMIENTO

- 27 Antes de Usar
- 28 Panel de control
- 30 Modo Sabbath
- 30 Dispensador de Hielo y Agua
- 31 Compartimento de Hielo
- 32 Dispensador de Hielo Automático
- 35 Almacenando Alimentos
- 36 Cajón de verduras con humedad controlada
- 37 Glide'N'Serve
- 38 Estantes del refrigerador
- 38 Door-In-Door (Puerta en Puerta)
- 40 Contenedores de la Puerta
- 40 Durabase

42 FUNCIONES INTELIGENTES

- 42 Aplicación LG ThinQ
- 44 Función Smart Grid (Red Inteligente)
- 45 Función Smart Diagnosis™

47 MANTENIMIENTO

- 47 Limpieza
- 47 Filtro de Aire
- 48 Water Filter (Filtro de agua)

53 SOLUCIÓN DE PROBLEMAS

- 53 Preguntas Frecuentes
- 54 Antes de llamar al servicio técnico

64 GARANTÍA LIMITADA

- 64 PARA EE. UU.
- 68 PARA CANADÁ

INSTRUCCIONES DE SEGURIDAD

LEA TODAS LAS INSTRUCCIONES ANTES DE UTILIZAR

Mensajes de Seguridad

Su seguridad y la de los demás son muy importantes.

Tanto en este manual como en el equipo, hemos proporcionado muchos mensajes de seguridad importantes. Siempre debe leer y respetar todos los mensajes de seguridad.



Este es el símbolo de alerta de seguridad.

Este símbolo le advierte de posibles peligros que pueden matarlos o lastimarlos a usted y a otros. Todos los mensajes de seguridad seguirán el símbolo de alerta de seguridad y la palabra ADVERTENCIA o PRECAUCIÓN.

Estos términos significan lo siguiente:



ADVERTENCIA

Podría sufrir lesiones graves o la muerte si no sigue las instrucciones.



PRECAUCIÓN

Puede resultar lesionado o causar daño al producto si no sigue las instrucciones.

Todos los mensajes de seguridad le indicarán cuál es el riesgo potencial, le indicarán cómo reducir la probabilidad de lesiones y le proporcionarán información sobre qué podría suceder si no se siguen las instrucciones.

ADVERTENCIA



ADVERTENCIA

- Para disminuir el riesgo de explosiones, incendios, descargas eléctricas, quemaduras, lesiones o muerte para las personas que usen este artefacto, siga las precauciones básicas, incluidas las siguientes:

Instalación

- Para reducir el riesgo de lesiones personales, respete todos los procedimientos de seguridad recomendados por la industria, incluso el uso de guantes de manga larga y gafas de seguridad.
- Nunca intente operar este artefacto si se encuentra dañado, si no funciona correctamente, si no está ensamblado por completo o si tiene piezas faltantes o rotas, incluido un cable o enchufe dañado.
- Conecte este producto únicamente a un tomacorriente dedicado, conectado a tierra, apto para usar con este producto (115 voltios, 60 Hz, solo CA). El usuario tiene la responsabilidad de reemplazar un tomacorriente de pared estándar de 2 tomas por un tomacorriente de pared estándar de 3 tomas.
- No use un tomacorriente que pueda apagarse con un interruptor. No use un cable de extensión.
- Posicione el electrodoméstico de un modo que le permita acceder fácilmente a la alimentación eléctrica.
- Al mover el electrodoméstico, tenga cuidado de no torcer ni dañar el cable de alimentación.
- Póngase en contacto con un centro de servicio autorizado antes de instalar o cambiar de lugar el electrodoméstico.
- Por ninguna razón debe cortar o quitar la tercera clavija (tierra) del cable de alimentación.
- Mantenga los materiales de empaque fuera del alcance de los niños. Los materiales de empaque pueden ser peligrosos para los niños. Corren riesgo de asfixia.
- No instale el electrodoméstico en un lugar húmedo o polvoriento, donde el aislamiento de las piezas eléctricas podría deteriorarse.

4 INSTRUCCIONES DE SEGURIDAD

- No coloque el electrodoméstico bajo la luz solar directa ni lo exponga a electrodomésticos que emitan calor, como cocinas o calefactores.
- No doble ni pellizque en exceso el cable de alimentación, ni coloque objetos pesados sobre este.

Funcionamiento

- Este refrigerador está destinado únicamente a usos domésticos y similares aplicaciones, tales como:
 - áreas de cocina en tiendas, oficinas y lugares de trabajo;
 - granjas; por clientes en hoteles, moteles y otros tipos de ambientes residenciales;
 - hospedajes tipo bed and breakfast;
 - aplicaciones de abastecimiento y de servicios similares de no distribución.
- No use este electrodoméstico para fines especiales, como para conservar medicamentos o materiales de ensayo, usar en barcos, etc.
- NO permita que los niños entren y se paren o se cuelguen de las puertas o los estantes del electrodoméstico. Podrían dañar el refrigerador o sufrir lesiones graves.
- No permita que los niños entren al electrodoméstico. Podrían quedar atrapados y sofocarse.
- Debe supervisar a los niños para asegurarse de que no jueguen con el electrodoméstico.
- Mantenga los dedos lejos de los puntos de riesgo de pinzamiento; las distancias de separación entre las puertas y los gabinetes son necesariamente pequeñas. Tenga cuidado al cerrar las puertas cuando haya niños cerca.
- No toque los alimentos congelados ni las partes metálicas del compartimento del congelador si tiene las manos mojadas o húmedas. Hacerlo podría causar congelación.
- No vuelva a congelar alimentos congelados que se hayan descongelado por completo. Esto podría ser peligroso para su salud.
- No use adaptadores ni enchufe el cable de alimentación en un alargador de múltiples tomacorrientes.
- Si el cordón de alimentación es dañado, este debe ser reemplazado por el fabricante o por su agente de servicio o por personal similarmente calificado con el fin de evitar un peligro.
- No use el refrigerador ni toque el cable de alimentación con las manos mojadas.
- No modifique ni extienda el cable de alimentación.
- No use un tomacorriente que no esté certificado. No enchufe el electrodoméstico en un tomacorriente de pared dañado.
- No coloque las manos, los pies u otros objetos en la ventilación de aire ni en la parte inferior del refrigerador. Si lo hace, podría sufrir lesiones personales o descargas eléctricas.
- Si se produce una fuga de gas (propano/GPL), asegúrese de que el área esté adecuadamente ventilada y póngase en contacto con un centro de servicio autorizado antes de volver a usar el refrigerador. No toque ni desarme el electrodoméstico ni el cable de alimentación del electrodoméstico.
- Ante la presencia de ruidos u olores extraños, o si sale humo del electrodoméstico, desconecte el cable de alimentación de inmediato y póngase en contacto con un centro de servicio autorizado.
- No use fusibles (como cobre, alambre de acero, etc.) que no sean los fusibles estándar.
- No coloque ni use un aparato eléctrico dentro del electrodoméstico, a menos que sea de un tipo recomendado por el fabricante.
- No introduzca animales con vida dentro del electrodoméstico.
- No coloque objetos pesados o frágiles, contenedores llenos de líquido, sustancias combustibles u objetos inflamables (como velas y lámparas) sobre el electrodoméstico.
- Evite el contacto con las partes móviles del mecanismo eyector o con el elemento de calor que dispensa los cubos de hielo.
- Si se conecta a un circuito protegido con fusibles, utilice un fusible de retardo.
- Mantenga las aperturas de ventilación, en la cubierta del electrodoméstico o en la estructura incorporada, despejadas de obstrucciones.

- No utilice dispositivos mecánicos u otros medios para acelerar el proceso de descongelado, con excepción de aquellos recomendados por el fabricante.
- No utilice aparatos eléctricos dentro de los compartimientos de almacenaje de alimentos del electrodoméstico, a menos que sean de un tipo recomendado por el fabricante.
- No almacene sustancias explosivas como latas de aerosol con propulsores inflamables en este electrodoméstico.
- NO introduzca los dedos en el mecanismo de fabricación automática de hielo con el refrigerador enchufado.
- Al retirar hielo del dispensador, no use un contenedor frágil.

Mantenimiento

- No use secadoras eléctricas para secar el interior del producto.
- No prenda velas para remover el olor interno del producto.
- En el caso de fuga del refrigerante, aleje los objetos inflamables del refrigerador. Asegúrese de que el área esté bien ventilada y póngase en contacto con un centro de servicio autorizado.
- Mantenga materiales inflamables y vapores, como gasolina, alejados del refrigerador.
- Este aparato no está destinado para utilizarse por personas (incluyendo niños) con capacidades físicas, sensoriales o mentales reducidas, o con falta de experiencia o conocimiento, a menos que hayan recibido una supervisión o capacitación concerniente a el uso del aparato por una persona responsable de su seguridad.
- Desenchufe el cable de alimentación antes de limpiar o reparar el electrodoméstico.
- Las luces del refrigerador y el compartimento del congelador son luces LED para interiores, y un técnico calificado debe realizar el mantenimiento.
- En caso de apagón o tormenta eléctrica, desenchufe el cable de alimentación de inmediato.
- Apague la alimentación si ingresa agua o polvo en el electrodoméstico. Llame a un agente de servicio.
- No almacene contenedores de vidrio ni refrescos en el compartimento del congelador. Al congelarse, los contenidos pueden expandirse, romper el contenedor y provocar lesiones.
- No almacene, desarme ni repare el electrodoméstico usted mismo ni permita que el personal no calificado lo haga.

Desecho

- Los electrodomésticos desechados o abandonados son peligrosos, incluso si se dejan de usar solo por unos pocos días. Al momento de desechar el refrigerador, retire los materiales de embalaje de la puerta o quite las puertas, pero deje los estantes en su lugar, a fin de que los niños no puedan ingresar fácilmente a este.
- Si desecha el refrigerador, asegúrese de que el refrigerante y la espuma de aislamiento sean removidos para su adecuada eliminación por un técnico calificado. Si libera el refrigerante o tira la espuma de aislamiento, puede ser multado o encarcelado de acuerdo con la legislación ambiental pertinente. La espuma de aislamiento contiene un gas expansor inflamable.
- Cuando se deshace del electrodoméstico, remueva la junta de la puerta dejando los estantes y cestas en su lugar, y mantenga a los niños alejados del electrodoméstico.

Instrucciones de Conexión a Tierra

- La conexión inadecuada del conductor de conexión a tierra puede resultar en riesgo de choque eléctrico. Pregunte a un electricista calificado o al personal de servicio si no está seguro si el artefacto está adecuadamente conectado a tierra. No modifique el enchufe que viene con el artefacto. Si no cabe en el contacto, pida que un electricista calificado instale un contacto apropiado.

- Haga que un técnico certificado verifique que el tomacorriente de pared y los cables estén adecuadamente conectados a tierra.
- Nunca tire del cable de alimentación para desenchufar el electrodoméstico. Agarre siempre el enchufe firmemente y tire del mismo para retirarlo del tomacorriente. Si no hace esto, podría dañar el cable de alimentación y generar un riesgo de incendio y descarga eléctrica.

Riesgo de incendio y materiales inflamables



Este electrodoméstico contiene una pequeña cantidad de refrigerante isobutano (R600a), que es combustible. Al transportar e instalar el electrodoméstico, debe prestar atención para asegurar que ninguna parte del circuito refrigerante se dañe. Fuga del refrigerante fuera de las pipas podría generar un incendio o causar una lesión ocular. Si se detecta una fuga, evite cualquier llama descubierta o fuentes potenciales de incendio, y ventile el ambiente en el que se encuentra el electrodoméstico por varios minutos.

A manera de evitar la creación de una mezcla de gas y aire inflamable en caso ocurra una fuga en el circuito refrigerante, el tamaño del ambiente en el que el electrodoméstico se ubica deberá corresponder a la cantidad de refrigerante usada. El espacio debe ser de 10.8 pies cuadrados (1 metro cuadrado) por cada 8g de refrigerante R600a dentro del electrodoméstico. La cantidad de refrigerante en su electrodoméstico particular se muestra en la placa de identificación ubicada dentro del mismo. Nunca inicie un electrodoméstico mientras este muestre algún signo defectuoso. En caso de dudas, consulte con su distribuidor.

PRECAUCIÓN

PRECAUCIÓN

- Para reducir el riesgo de lesiones leves o moderadas a personas, el mal funcionamiento o daño al producto o propiedad cuando use este producto, siga las precauciones básicas, incluido lo siguiente:

Instalación

- No coloque el electrodoméstico en un lugar donde podría caerse.
- El refrigerador debe instalarse correctamente, teniendo en cuenta las instrucciones de instalación.

Funcionamiento

- No use aerosoles cerca del electrodoméstico.
- Este refrigerador está destinado únicamente a usos domésticos y similares.
- No golpee ni aplique demasiada fuerza en las superficies de vidrio. No toque las superficies de vidrio si están agrietadas o rotas.
- No llene ni envase en exceso los alimentos en los compartimentos de la puerta. Esto podría dañar el compartimento o provocar lesiones personales al retirar los alimentos aplicando una fuerza excesiva.
- No cuelgue ni coloque objetos pesados en el dispensador del electrodoméstico.

Mantenimiento

- No use detergentes fuertes como cera o diluyentes para la limpieza. Limpie con un trapo suave.
- Retire los objetos extraños (como polvo y agua) de las clavijas del enchufe y las áreas de contacto. No use un trapo mojado o húmedo para limpiar el enchufe.
- No rocíe agua directamente en el interior o exterior del electrodoméstico.

- Cuando estén fríos, no limpie los estantes de vidrio ni las tapas con agua caliente. Si se exponen a cambios de temperatura repentinos, podrían romperse.

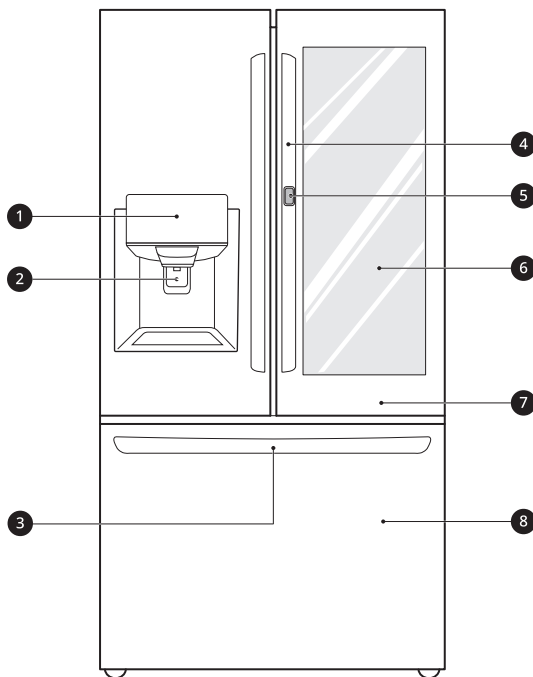
GUARDE ESTAS INSTRUCCIONES

DESCRIPCIÓN GENERAL DEL PRODUCTO

Características del Producto

Las ilustraciones en esta guía pueden diferir de los componentes y accesorios reales, los cuales están sujetos a cambios sin previo aviso por parte del fabricante a fin de introducir mejoras en el producto.

Exterior



1 Panel de control

Fija la temperatura del refrigerador y el congelador, el estado del agua filtrada y el modo del dispensador.

2 Dispensador de agua filtrada y hielo

Dispensa agua purificada y hielo.

3 Agarrador **SmartPull™**

Abre la puerta del congelador fácilmente.

4 Agarrador

Abre y cierra la puerta del refrigerador.

5 Botón de la puerta[†]

Abre el compartimiento Door-In-Door (puerta en puerta).

6 InstaView Door-in-Door (Puerta-en-Puerta)[†]

El compartimiento InstaView Puerta en Puerta facilita el acceso a artículos de consumo frecuentes.

7 Refrigerador

Mantiene los alimentos frescos.

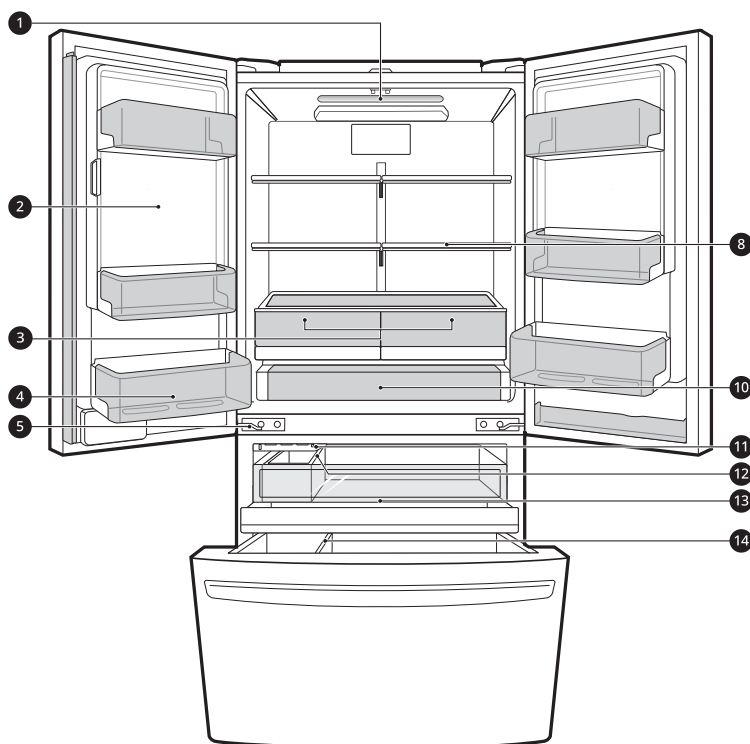
8 Congelador

Mantiene los alimentos congelados.

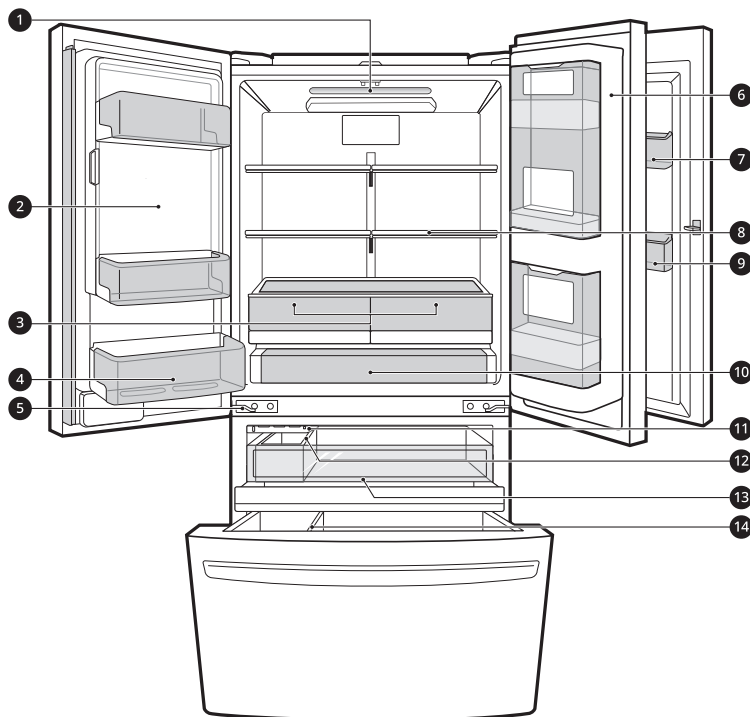
[†] Esta característica solo está disponible en algunos modelos.

Interior

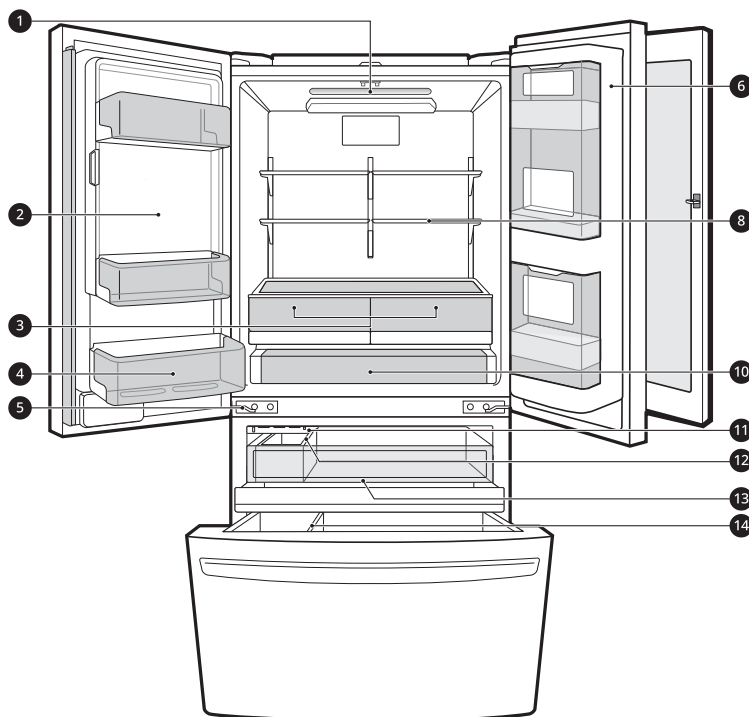
Puerta estándar: LRFXC2406*/LRFXC2416*



Door-in-Door (puerta en puerta): LRFDS3006*/LRFDS3016*/LRFDC2406*



InstaView Door-in-Door (puerta en puerta): LRFVS3006*/LRFVC2406*



1 Lámparas LED interiores

Iluminan el interior del refrigerador.

2 Máquina de Hielo Interior (Refrigerador)

Aquí es donde el hielo se produce y almacena automáticamente.

3 Cajón de verduras con humedad controlada

Ayuda a mantener los vegetales y las frutas crujientes, y controla la humedad.

4 Bandeja de puerta fija

Preserva las comidas o los tragos congelados.

5 Bisagra de cierre automático

Las puertas del refrigerador y los cajones del congelador se cierran automáticamente mediante una leve presión. (La puerta únicamente se cierra automáticamente cuando se encuentra abierta a un ángulo menor a 30°).

6 Caja Door-in-Door (Puerta-en-Puerta)

Un área conveniente de almacenamiento para los alimentos usados con frecuencia que requieren un fácil acceso.

7 Compartimentos para queso, mantequilla y condimentos

Los compartimentos para queso, mantequilla y condimentos están diseñados para estos artículos y para que se pueda untar mantequilla y cortar quesos de manera más fácil.

8 Estante ajustable del refrigerador

Los estantes del refrigerador son ajustables para satisfacer sus necesidades personales de almacenamiento.

9 Bandeja de puerta modular

Las bandejas intercambiables pueden acomodarse según las necesidades de almacenamiento.

10 Glide'N'Serve

Le permite almacenar productos alimenticios a una temperatura diferente a la del resto del refrigerador.

11 Máquina de Hielo Automática (Congelador)

Dispensa hielo automáticamente.

12 Contenedor de hielo

El hielo es creado automáticamente por la máquina de hielo en el congelador y almacenado en un contenedor de hielo en el congelador.

13 Estante extraíble

Provee almacenaje adicional dentro del compartimiento del congelador.

14 Durabase y divisor Durabase

Provee almacenaje para productos alimenticios de gran tamaño.

Especificaciones del producto

La apariencia y las especificaciones detalladas en este manual podrían variar debido a mejoras constantes en el producto.

Requerimientos eléctricos: 115 V, 60 Hz

Presión de Agua Min/Max: 20 - 120 psi (138 - 827 kPa)

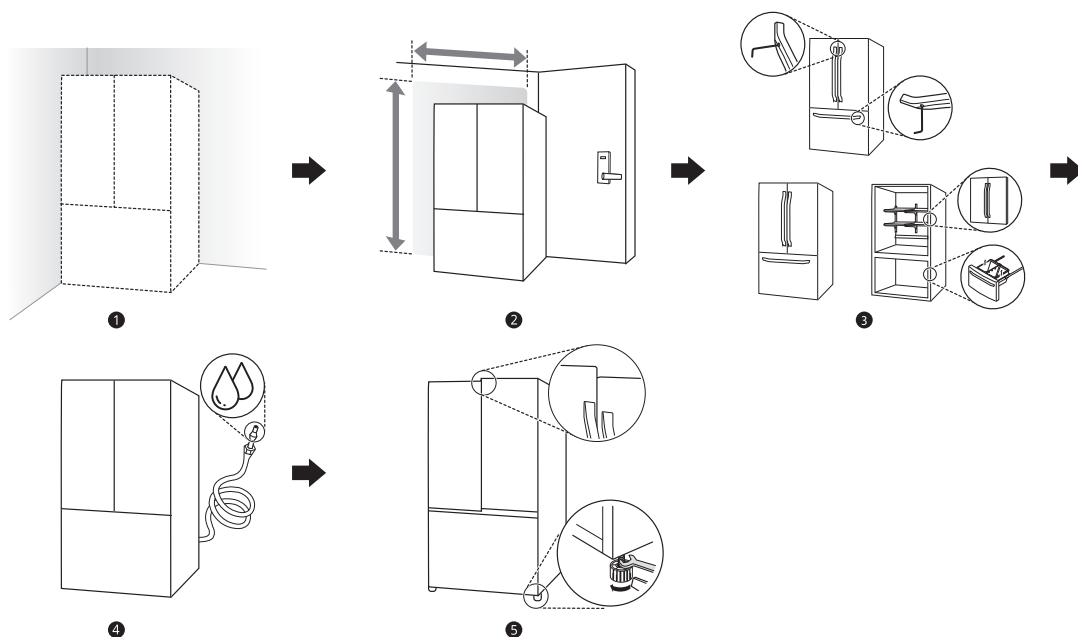
Modelo	Descripción	Peso neto
LRFDS3006*	Refrigerador de puerta francesa de profundidad-estándar, Door-in-Door, congelador bajo	331 lb (150 kg)
LRFDS3016*	Refrigerador de puerta francesa de profundidad-estándar, Door-in-Door, congelador bajo, Craft Ice	331 lb (150 kg)
LRFVS3006*	Refrigerador de puerta francesa de profundidad-estándar, InstaView Door-in-Door (Puerta-en-Puerta), congelador bajo, Craft Ice	342 lb (155 kg)
LRFXC2406*	Refrigerador de puerta francesa de profundidad mostrador, congelador bajo	276 lb (125 kg)
LRFXC2416*	Refrigerador de puerta francesa de profundidad mostrador, congelador bajo, Craft Ice	276 lb (125 kg)
LRFDC2406*	Refrigerador de puerta francesa de profundidad-mostrador, Door-in-Door, congelador bajo, Craft Ice	300 lb (136 kg)
LRFVC2406*	Refrigerador de puerta francesa de profundidad mostrador, InstaView Door-in-Door (Puerta-en-Puerta), congelador bajo, Craft Ice	311 lb (141 kg)

INSTALACIÓN

Antes de la Instalación

Descripción general de la instalación

Lea las siguientes instrucciones de instalación inmediatamente después de adquirir este producto o transportarlo a otra ubicación.



- 1 Desempacando el refrigerador
- 2 Elección de la ubicación adecuada
- 3 Desensamblando / Ensamblando
- 4 Conectando la línea de agua
- 5 Nivelando y Alineando la Puerta

⚠ ADVERTENCIA

- Conecte únicamente a un suministro de agua potable.

Desempacando el refrigerador

ADVERTENCIA

- Utilice a dos o más personas para mover e instalar el refrigerador. Si no lo hace, puede resultar en lesiones en la espalda o de otro tipo.
- El refrigerador es pesado. Proteja el piso al mover el refrigerador para limpieza o servicio. Siempre empuje el refrigerador hacia afuera al moverlo. No menee o sacuda el refrigerador al intentar moverlo pues puede dañar el piso.
- Mantenga materiales inflamables y vapores, como gasolina, alejados del refrigerador. Si no lo hace puede provocar un incendio, explosión o muerte.

NOTA

- Remueva la tapa y cualquier etiqueta temporal de su refrigerador previo a su uso. No remueva ninguna etiqueta de precaución, modelo y número de serie, o la Hoja Técnica que se encuentra bajo la parte frontal del refrigerador.
- Para remover cualquier cinta adhesiva o goma restante frote enérgicamente el área con su pulgar. La cinta adhesiva o residuos de goma pueden ser fácilmente removidos frotando una pequeña cantidad de jabón líquido para platos con sus dedos. Limpie con agua caliente y seque.
- No utilice instrumentos puntiagudos, alcohol para frotar, fluidos inflamables o limpiadores abrasivos para remover cinta adhesiva o goma. Estos productos pueden dañar la superficie de su refrigerador.
- Reinstale o ajuste lo estantes como sea necesario. Los estantes del refrigerador están instalados en su posición de embarque. Reinstale los estantes de acuerdo a sus necesidades de almacenamiento individuales.

Elección de la ubicación adecuada

Agua

Se debe ubicar donde se pueda conectar a un suministro de agua para el dispensador de hielo automático.

NOTA

- La presión del agua debe ser de 20 - 120 psi ó 138 - 827 kPa o 1.4 - 8.4 kgf/cm². Si el refrigerador es instalado en un área con baja presión de agua (debajo de 20 psi o 138 kPa o 1.4 kgf/cm²), puede instalar una bomba de refuerzo para compensar la baja presión.

Electricidad

Utilice un enchufe con conexión a tierra individual: 115 Volts, 60 Hz, AC Amps mínimo.

ADVERTENCIA

- No sobrecarge el cableado del hogar causando peligro de incendio al conectar múltiples electrodomésticos en el mismo enchufe del refrigerador.
- Para reducir el riesgo de descarga eléctrica, no instale el refrigerador en un área húmeda ni mojada.

Suelo

Para evitar ruido y vibración, la unidad debe ser instalada y nivelada en un piso sólidamente construido. De ser necesario, ajuste el nivel de las patas para compensar la irregularidad del piso.

NOTA

- No es recomendable la instalación sobre alfombrado, baldosas suaves o estructuras débilmente apoyadas.

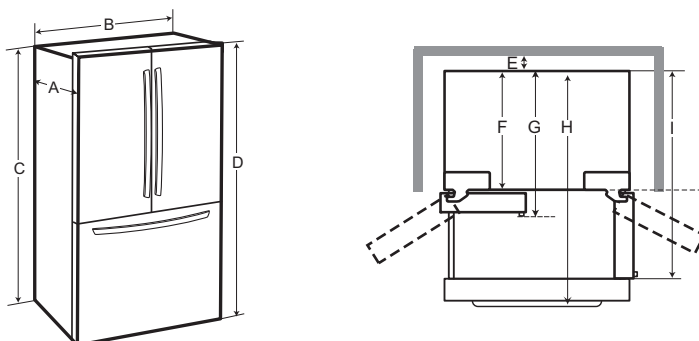
Temperatura ambiente

Instale este electrodoméstico en un área donde la temperatura esté entre 55 °F (13 °C) y 110 °F (43 °C).

Si la temperatura alrededor del electrodoméstico es muy baja o alta, la capacidad de enfriamiento puede ser afectada negativamente.

Dimensiones y Espacios

- Revise las dimensiones del electrodoméstico y el proceso de instalación para asegurar que haya suficiente espacio para mover el refrigerador a través de puertas o aperturas angostas.
- Si una apertura es muy angosta para que pase el refrigerador, remueva las puertas del refrigerador. Vea Removiendo/ensamblando puertas y estantes en este manual.
- La ubicación de instalación elegida para el refrigerador debería considerar espacio en la parte trasera de la unidad para conexiones, circulación de aire y espacio en el frente para abrir las puertas y estantes.
- Una distancia muy pequeña entre los elementos adyacentes puede resultar en capacidad de enfriamiento reducida y en cargos altos de consumo eléctrico. Deje al menos 24 pulgadas (610 mm) frente al refrigerador para abrir las puertas, y al menos 2 pulgadas (50.8 mm) entre la parte trasera del refrigerador y la pared.



-	Dimensión/Espacio	LRFVS3006*/LRFDS3006*/ LRFDS3016*	LRFVC2406*/ LRFXC2406*/ LRFXC2416*/ LRFDC2406*
A	Profundidad sin agarrador	34 1/8" (866 mm)	28 1/4" (718 mm)
B	Ancho	35 3/4" (908 mm)	35 3/4" (908 mm)
C	Altura a la Punta de la Caja	68 7/8" (1750 mm)	68 7/8" (1750 mm)
D	Altura a la Punta de la Bisagra	70 1/4" (1785 mm)	70 1/4" (1785 mm)
E	Espacio Trasero	2" (50 mm)	2" (50 mm)
F	Profundidad sin Puerta	29 7/8" (758 mm)	24" (610 mm)
G	Profundidad con agarrador	36 5/8" (929 mm)	30 3/4" (781 mm)
H	Profundidad (Total con el cajón del congelador abierto)	57 23/32" (1466 mm)	47 1/4" (1200 mm)
I	Profundidad (Total con Puerta Abierta 90°)	42 5/8" (1231 mm)	42 5/8" (1083 mm)

Removiendo/Ensamblando Agarradores

Es preferible remover las puertas del refrigerador al moverlo a través de una apertura estrecha.

La apariencia de los agarradores puede variar de como se muestra.

⚠ ADVERTENCIA

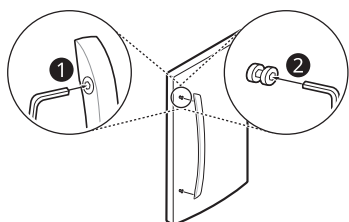
- Cuando ensamble o remueva los agarradores del refrigerador, sujete el agarrador firmemente para evitar que se le caiga.
- No balancee el agarrador cerca de personas o animales cercanos.
- Asegúrese de que el agujero en el soporte del agarrador calce adecuadamente en el tornillo de la tapa de la puerta. Ensamble los tornillos de presión para fijar el agarrador en su lugar.
- Asegúrese de que no existe una brecha entre la puerta y el agarrador luego de haber ensamblado el agarrador.

Herramientas necesarias

- Llave Allen de 3/32 pulgadas
- Llave Allen de 1/8 pulgadas
- Llave Allen de 1/4 pulgadas

Removiendo los Agarradores del Refrigerador

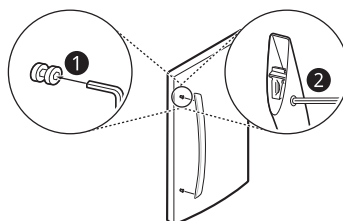
- 1 Afloje los tornillos de presión ❶ con una llave Allen de 3/32 pulg. y remueva el agarrador.
- 2 Afloje la tornillería de montaje ❷ que conecta la puerta del refrigerador y el agarrador usando una llave Allen de 1/4 pulg., y remueva la tornillería.



Ensamblando los Agarradores del Refrigerador

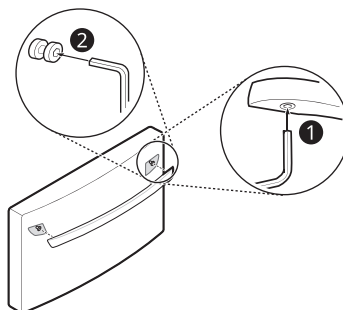
- 1 Ensamble la tornillería de montaje ❶ en ambos extremos del agarrador con una llave Allen de 1/4 pulgadas.

- 2 Coloque el agarrador en la puerta calzando la parte inferior del mismo con la tornillería de montaje y asegurando los tornillos de presión ❷ con una llave Allen de 3/32 pulg.



Removiendo el Agarrador del Estante del Congelador.

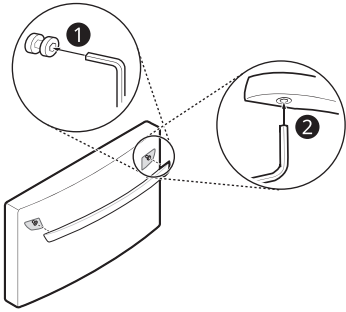
- 1 Afloje los tornillos de presión ❶ ubicados en la parte inferior del agarrador con una llave Allen de 1/8 pulgadas y extráigalo.
- 2 Afloje la tornillería de montaje ❷ con una llave Allen de 1/4 pulgadas y extráigala.



Ensamblando el Agarrador del Estante del Congelador.

- 1 Ensamble la tornillería de montaje ❶ en ambos extremos del agarrador con una llave Allen de 1/4 pulgadas.
- 2 Coloque el agarrador en la puerta calzando la parte inferior del mismo con la tornillería de

montaje y asegurando los tornillos de presión **2** con una llave Allen de 1/8 pulg.



Removiendo/Ensamblando las Puertas y Estantes.

Si la puerta de entrada es muy angosta para que el refrigerador pase, remueva las puertas del mismo y mueva el refrigerador, de costado, a través de la puerta.

⚠ ADVERTENCIA

- Utilice a dos o más personas para remover e instalar las puertas del refrigerador y el estante del congelador.
- Desconecte la fuente de electricidad del refrigerador previo a instalarlo.
- No coloque las manos, los pies u otros objetos en la ventilación de aire ni en la parte inferior del refrigerador.
- Tenga cuidado al manejar la bisagra y el tapón.
- Remueva los alimentos y recipientes previo a desprender las puertas y los estantes.
- No sujete el agarrador al remover o reemplazar las puertas y el estante ya que esta podría destrabarse.

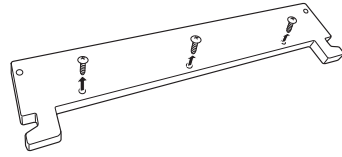
Herramientas necesarias

- Llave Allen de 3/32 pulgadas
- Llave Allen de 1/8 pulgadas
- Llave Allen de 1/4 pulgadas

Removiendo la cubierta de la bisagra

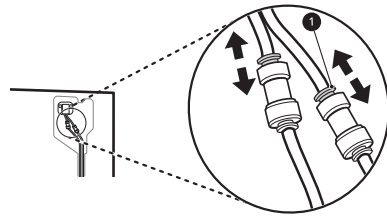
Remueva los tornillos de la cubierta de la bisagra en la parte superior del refrigerador. Levante el gancho (no visible), ubicado en la parte inferior del

lado delantero de la cubierta con un destornillador plano.



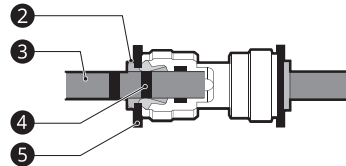
Removiendo la Puerta Izquierda del Refrigerador

- 1 El suministro de agua está conectado a la parte superior derecha de la superficie posterior del refrigerador. Remueva el anillo del área conjunta. Sujete la conexión del suministro de agua y empuje gentilmente la pinza **1** para destrabar la línea de suministro de agua, como se muestra.



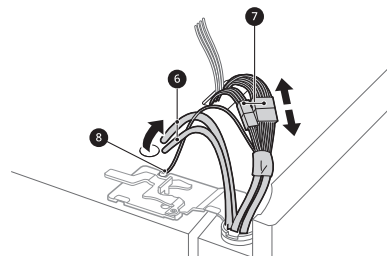
NOTA

- Desensamblando / Ensamblando las Líneas de Agua



- 2** Pinza **3** Tubo **4** Inserte línea **5** Clip

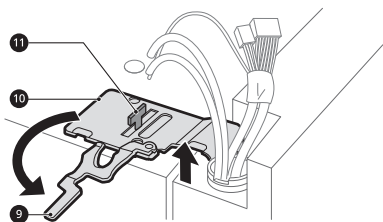
- 2 Extraiga la línea de agua **6**. Desconecte todos los arneses de cables **7**. Desatornille el cable de tierra **8**.



- 3 Rote la palanca de la bisagra 9 hacia la izquierda. Libere la bisagra superior 10 del picaporte de la manija de la bisagra 11.

⚠ PRECAUCIÓN

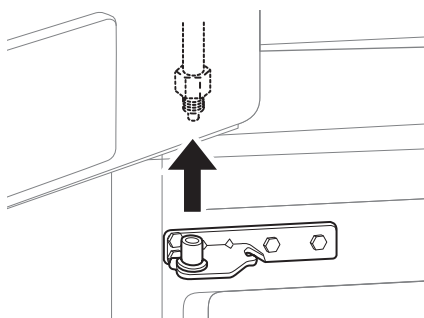
- Al liberar la bisagra del picaporte, tenga cuidado de que la puerta no se caiga hacia adelante.



- 4 Levante la puerta del centro del perno de la bisagra y remuévala.

⚠ PRECAUCIÓN

- Coloque la puerta, de adentro hacia afuera, en una superficie que no la raye.

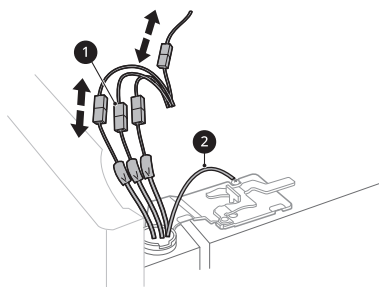


Removiendo la Puerta Derecha del Refrigerador

- 1 Desconecte todos los arneses de cable 1. Desatornille el cable de conexión a tierra 2.

NOTA

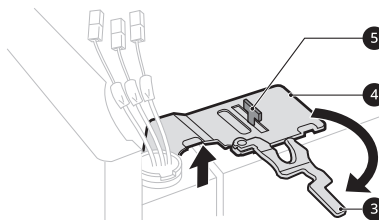
- El número de arneses de cables puede variar dependiendo del modelo.
- El cable de conexión a tierra solo está disponible en algunos modelos.



- 2 Rote la palanca de la bisagra 9 hacia la derecha. Libere la bisagra superior 4 del picaporte de la manija de la bisagra 5.

⚠ PRECAUCIÓN

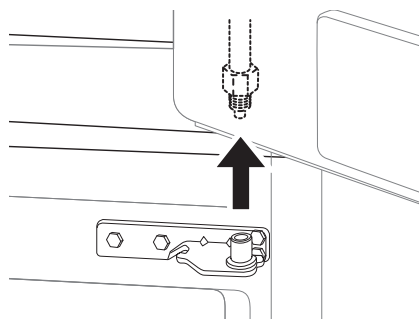
- Al liberar la bisagra del picaporte, tenga cuidado de que la puerta no se caiga hacia adelante.



- 3 Levante la puerta del centro del perno de la bisagra y remuévala.

⚠ PRECAUCIÓN

- Coloque la puerta, de adentro hacia afuera, en una superficie que no la raye.



Removiendo los Cajones del Congelador

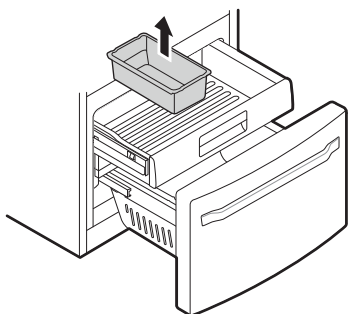
El Estante Extraíble sobre el congelador no se muestra por claridad.

⚠ ADVERTENCIA

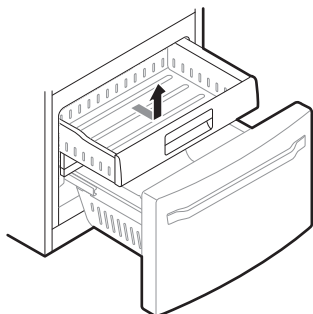
- Utilice a dos o más personas para remover e instalar las puertas del refrigerador y el estante del congelador.
- Sea cuidadoso de bisagras cortantes en ambos lados del estante.
- Al bajar el estante tenga cuidado de no dañar el piso.
- No se siente o pare en el estante del congelador.
- Para prevenir accidentes, mantenga a los niños y mascotas alejadas del estante. No deje el estante abierto. Si el recipiente de almacenamiento Durabase® es removido del estante del congelador, hay espacio suficiente para que un niño o mascota se introduzca en él.

1 Despliegue el estante para extenderlo completamente.

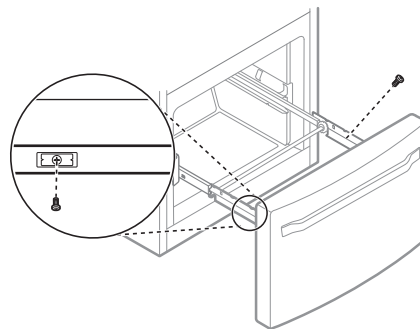
2 Levante y retire gentilmente el recipiente de hielo.



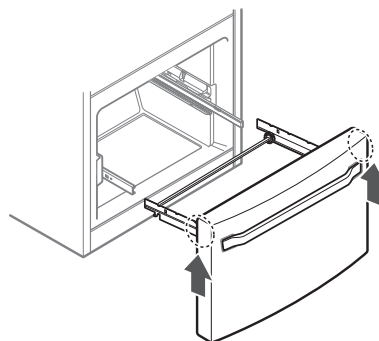
3 Levante la parte frontal del cajón hacia arriba y retírela.



4 Remueva los tornillos de los rieles en ambos extremos.



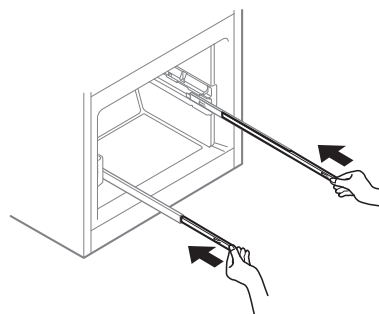
5 Agarre ambos lados del estante y levántelo para removerlo de los rieles.



⚠ PRECAUCIÓN

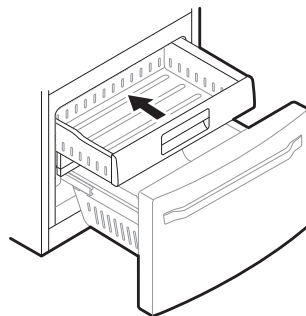
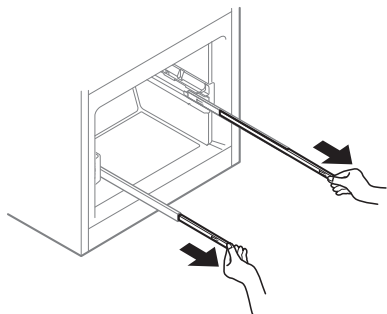
- No sujete el agarrador mientras remueve o reemplaza el estante. El agarrador puede caerse y causar una herida personal.

6 Sujete ambos rieles y empújelos dentro simultáneamente.



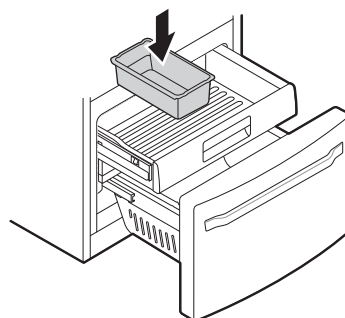
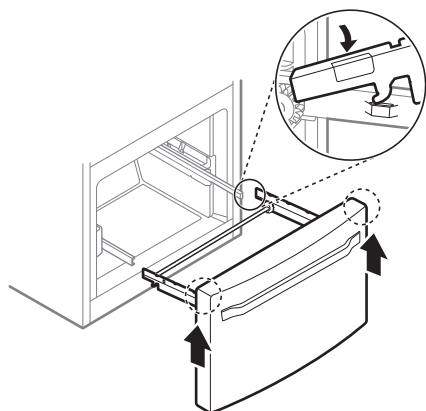
Ensamblando el Estante del Congelador

1 Retire ambos rieles simultáneamente hasta que estos se hayan extendido completamente.



- 2** Agarre el estante a cada lado y enganche los soportes del mismo a las pestañas ubicadas a ambos lados de los rieles.

- 5** Vuelva a colocar el recipiente de hielo en el estante. Introduzca la canasta Durabase en el montaje del riel.



⚠ PRECAUCIÓN

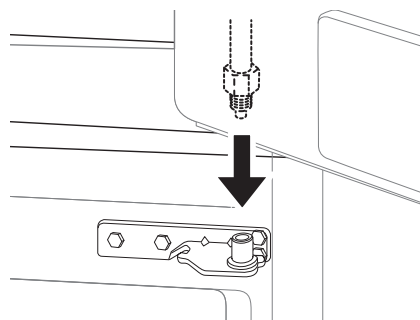
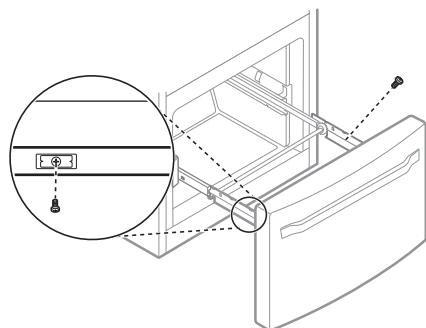
- No sujete el agarrador mientras remueve o reemplaza el estante. El agarrador puede caerse y causar una herida personal.

⚠ PRECAUCIÓN

- Instale la puerta del lado derecho primero.

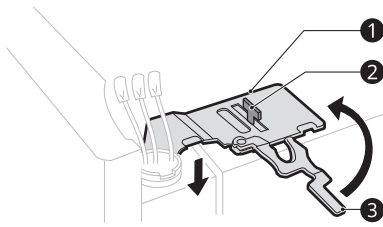
- 3** Baje la puerta a su posición final y asegure los tornillos localizados en ambos lados.

- 1** Asegúrese de que la funda de plástico esté insertada al fondo de la puerta. Baje la puerta al centro del perno de la bisagra como se muestra en la figura.

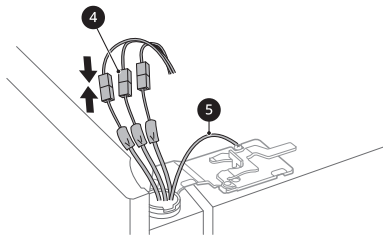


- 4** Inserte el estante en el marco y empújelo hacia atrás hasta que haga un clic en su lugar.

- 2** Ajuste la bisagra **1** sobre el picaporte de la manija de la bisagra **2** y encájela en su lugar. Rote la manija **3** hacia la izquierda para asegurar la bisagra.



- 3** Conecte todos los arneses de cables (4).
Atornille el cable de conexión a tierra (5).



NOTA

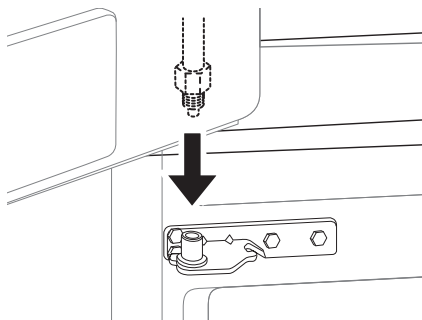
- El número de arneses de cables puede variar dependiendo del modelo.
- El cable de conexión a tierra solo está disponible en algunos modelos.

Ensamblando la Puerta Izquierda del Refrigerador

⚠ PRECAUCIÓN

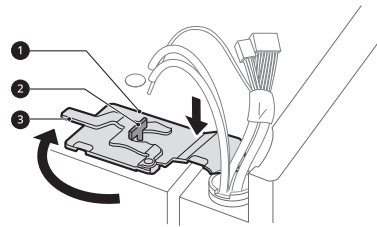
- Instale la puerta izquierda del refrigerador luego de haber instalado la puerta derecha.

- 1** Asegúrese de que la funda de plástico esté insertada al fondo de la puerta. Instale la puerta del refrigerador en la bisagra del medio.

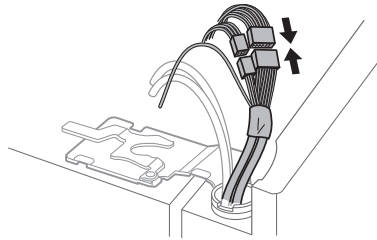


- 2** Ajuste la bisagra (1) sobre el picaporte de la manija de la bisagra (2) y encájela en su lugar.

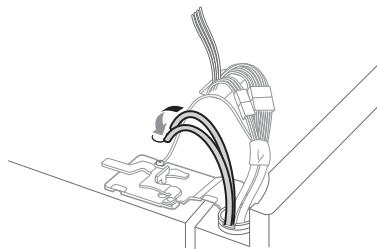
Rote la manija (3) en la dirección del reloj y asegure la bisagra.



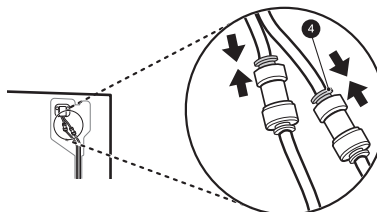
- 3** Conecte todos los arneses de cables y el cable a tierra.



- 4** Introduzca la línea de suministro de agua en el agujero ubicado en la caja superior y tire de ella hacia el plato trasero.

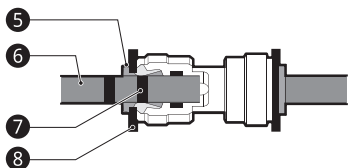


- 5** Sujete la conexión de suministro de agua y empuje gentilmente la pinza (4) para conectar la línea de suministro de agua como se muestra. Introduzca un tubo de al menos 5/8 pulgadas (15 mm) en el conector. Introduzca el clip en el área de unión para asegurar el tubo en su lugar.



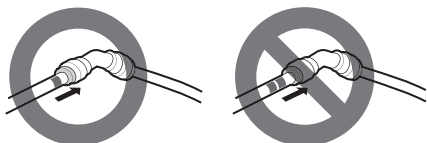
NOTA

- Desensamblando / Ensamblando las Líneas de Agua



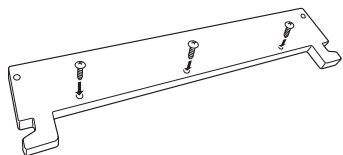
5 Pinza 6 Tubo 7 Inserte línea 8 Clip

- Presione suavemente la pinza e inserte el tubo hasta que únicamente una línea se muestre en él.



Ensamblando la cubierta de la bisagra

Coloque la cubierta de la bisagra en su lugar. Introduzca y apriete los tornillos de la cubierta.



Conectando la línea de agua

Antes de Iniciar

La instalación de esta línea de agua no está cubierta por la garantía del refrigerador. Siga las instrucciones cuidadosamente para minimizar el riesgo de costosos gastos de agua.

De ser necesario, llame a un plomero calificado para corregir el golpe de ariete previo a instalar la línea de suministro de agua al refrigerador. Agua golpeando o forjando tuberías residenciales puede causar daños a partes del refrigerador y provocar fugas de agua o inundaciones.

- Apague el dispensador de hielo (OFF) si el refrigerador será usado previo a conectar la línea de agua.
- No instale la tubería del dispensador de hielo en áreas donde la temperatura ambiente cae al punto de congelación.

⚠ ADVERTENCIA

- Conecte únicamente a un suministro de agua potable.

⚠ PRECAUCIÓN

- Para prevenir quemaduras y daños al producto, únicamente conecte la línea de agua del refrigerador a un suministro de agua fría.
- Utilice protección visual durante la instalación para prevenir heridas.

Presión de Agua

Necesitará un suministro de agua fría.

Presión de Agua

- **modelos con filtro de agua:**
 - 20 - 120 psi (138 - 827 kPa)
- **donde un sistema de filtración de agua de osmosis inversa está conectado a un suministro de agua fría:**
 - Mínimo 40 - 60 psi para revertir el sistema de osmosis (2.8 kgf/cm² - 4.2 kgf/cm², o menos de 2 - 3 segundos para llenar una taza con capacidad de 7 oz)

Si la presión del agua del sistema de osmosis inversa es menor a 20 psi o 138 kPa o 1.4 kgf/cm² (toma más de 4 segundos llenar una taza con capacidad de 7 oz o de 198 cc):

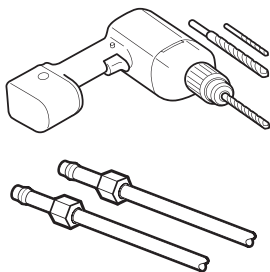
- Revise para ver si el filtro de sedimentos en el sistema de osmosis inversa está bloqueado. Reemplace el filtro de ser necesario.
- Permita que el tanque de almacenamiento en el sistema de osmosis inversa se vuelva a llenar luego de uso intensivo.
- Si la presión del agua continúa baja, llame a un plomero calificado y con licencia.
- Todas las instalaciones deben ser de acuerdo a los requerimientos del código de plomería local.

Suministros Requeridos

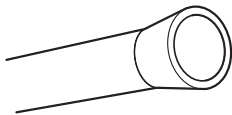
- **Cobre o Tubería PEX**, ¼ pulgadas. diámetro externo, para conectar el refrigerador al suministro de agua. Asegúrese de que ambos extremos de la tubería sean cortados de forma recta. Para determinar cuánta tubería necesita, mida la distancia desde la válvula de agua en la parte trasera del refrigerador hasta la cañería de suministro de agua. Luego, agregue 8 pies

(2.4m). Asegúrese de que haya suficiente tubería extra (alrededor de 8 pies [2.4m] enrollados en 3 vueltas de alrededor de 10 pulgadas. [25 cm] de diámetro) para permitir movimiento al refrigerador desde la pared luego de la instalación.

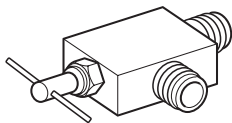
- **Taladro eléctrico.**
- **Llave de ½ pulg. o una llave inglesa.**
- **Destornillador de hoja plana y Phillips.**
- **Dos tuercas de presión de ¼ pulgadas de diámetro externo y 2 casquillos (fundas)** para conectar el tubo de cobre a la válvula de cierre y a la válvula de agua del refrigerador.



- Si su línea de agua de cobre existente tiene una adaptación acampanada al final, compre un adaptador (disponible en tiendas de plomería) para conectar la línea de agua al refrigerador. O corte la adaptación acampanada con un cortador de tubos y luego use un accesorio de compresión.



- Válvula de cierre para conectar a la línea de agua fría. La válvula de cierre debe tener una toma de agua con un diámetro interior mínimo de 5/32 pulgadas al punto de conexión a la LÍNEA DE AGUA FRÍA. Las válvulas de cierre tipo silla están incluidas en varios kits de suministro de agua. Previo a su compra, asegúrese de que la válvula de tipo silla acate sus códigos de plomería locales.



NOTA

- Una válvula autopunzante de agua tipo silla no debería ser utilizada.

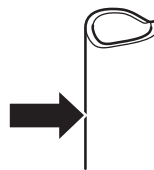
Instrucciones de Instalación Línea de Agua

Instale la válvula de cierre en la línea frecuente de agua potable más cercana.

⚠ ADVERTENCIA

- Cuando use cualquier dispositivo eléctrico (Como un taladro eléctrico) durante la instalación, asegúrese de que su dispositivo está alimentado por batería, tenga doble aislado o esté en tierra de manera que prevenga el peligro de descarga eléctrica.

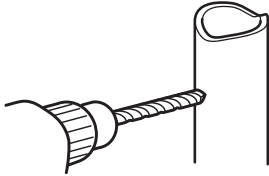
- 1 Apague el suministro de agua principal.
 - Abra el grifo más cercano para aliviar la presión en la línea.
- 2 Elija la ubicación de la válvula
 - Elija una ubicación para la válvula que sea fácilmente accesible. Es mejor conectar a un lado de la tubería vertical de agua. Cuando sea necesario conectar a una tubería horizontal de agua, haga la conexión a la parte superior o de costado, en vez de a la parte inferior, para evitar el trasiego de cualquier sedimento desde la tubería de agua.



- 3 Perfore el agujero para la Válvula
 - Perfore un agujero de ¼ pulgadas en la tubería de agua utilizando una broca punzante. Remueva cualquier rebaba resultante de la perforación del agujero en la tubería. Tenga cuidado de no permitir que agua escurra dentro del taladro. No perforar un agujero de ¼ pulgadas puede resultar en una producción reducida de hielo o en cubos más pequeños.

NOTA

- La línea de montaje no puede ser tubería plástica blanca. Plomeros certificados deben usar únicamente tubería de cobre (tubería NDA #49595 o #49599) o tubería de Polietileno de Vínculo Cruzado (PEX).

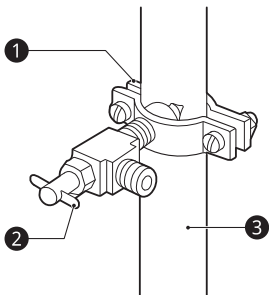


4 Sujete la válvula de cierre.

- Sujete la válvula de cierre a la tubería de agua fría con la abrazadera.

NOTA

- Se debe cumplir con los Códigos de fontanería 248 CMR del estado de Massachusetts. Las válvulas de montura son ilegales y no se permite su uso en Massachusetts. Consulte a su fontanero certificado.



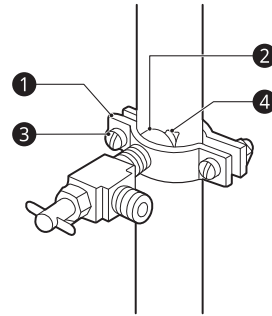
- ① Abrazadera
- ② Válvula de Cierre Tipo Silla
- ③ Tubería Vertical de Agua Fría

5 Apriete la abrazadera.

- Apriete los tornillos de la abrazadera hasta que la arandela de sellado comience a hincharse.

NOTA

- No apriete en exceso la arandela o puede aplastar la tubería.



- ① Abrazadera
- ② Extremo de la Entrada de la Arandela
- ③ Arandela de Sellado
- ④ Arandela

6 Encamine la tubería

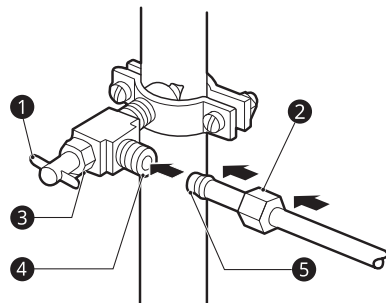
- Encamine la tubería entre la línea de agua fría y el refrigerador. Encamine la tubería a través del agujero en la pared o piso (detrás del refrigerador o gabinete base adyacente) lo más cerca de la pared posible.

NOTA

- Asegúrese de que haya suficiente tubería extra (alrededor de 8 pies enrollados en 3 vueltas de alrededor de 10 pulgadas de diámetro) para permitir movimiento al refrigerador desde la pared luego de la instalación.

7 Conecte la tubería a la válvula.

- Coloque la tuerca de compresión y el casquillo (lengüeta) para tubería de cobre al final del tubo y conéctelo a la válvula de cierre. Asegúrese de que la tubería esté totalmente insertada en la válvula. Ajuste la tuerca de compresión de forma segura.



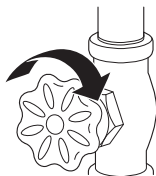
- ① Válvula de Cierre Tipo Silla
- ② Tuerca de Compresión

24 INSTALACIÓN

- 3 Tuerca Espaciadora
- 4 Válvula de Salida
- 5 Casquillo (lengüeta)

8 Enjuague el tubo.

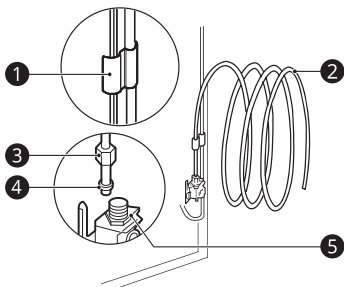
- Encienda el suministro de agua y Enjuague el tubo hasta que el agua esté clara. Cierre el agua en la válvula de agua cuando se haya eliminado alrededor de 1/4 de agua a través del tubo.



9 Conecte el tubo al refrigerador.

NOTA

- Previo a llevar a cabo la conexión del refrigerador, asegúrese de que el cable de energía de este no esté conectado al enchufe de la pared.
- Remueva el tapón plástico flexible de la válvula de agua.
- Coloque la tuerca de presión y el casquillo (lengüeta) al final del tubo esté como se muestra.
- Introduzca el final del tubo de cobre lo más lejos posible en la conexión. Mientras sujeta el tubo, apriete la adaptación.



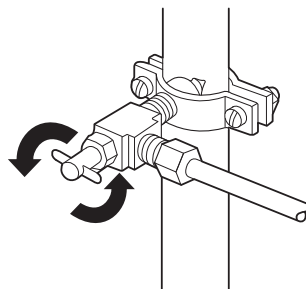
- 1 Tubo Abrazadera
- 2 Tubo de 1/4 Pulgadas.
- 3 Tuerca de Compresión de 1/4 pulgadas.
- 4 Casquillo (lengüeta)
- 5 Conexión del Refrigerador

10 Abra el agua en la válvula de cierre.

- Apriete cualquier conexión que muestre fugas.

⚠ PRECAUCIÓN

- Compruebe si hay pérdidas en las conexiones de las líneas de agua.



Nivelando y Alineando la Puerta

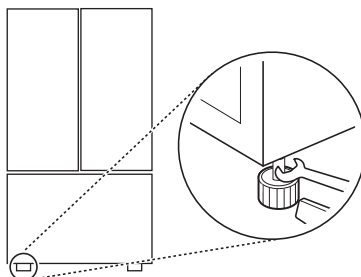
Nivelando

El refrigerador tiene dos puertas niveladoras frontales. Ajuste las patas para alterar la inclinación de adelante hacia atrás o de un lado al otro. Si el refrigerador se ve inestable o las puertas no cierran fácilmente, ajuste la inclinación del mismo siguiendo las instrucciones a continuación:

- 1 Gire la pata de nivelación hacia la izquierda para levantar ese lado del refrigerador o hacia la derecha para bajarlo. Puede ser necesario nivelar las patas varias veces para ajustar la inclinación del refrigerador.

NOTA

- Una llave de tuerca acampanada funciona mejor, pero una llave abierta será suficiente. No apriete demasiado.



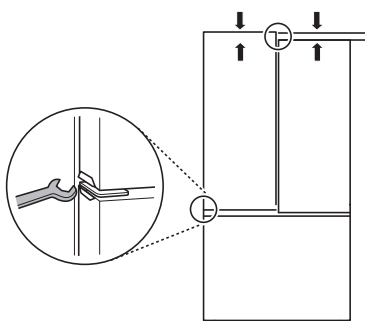
2 Abra ambas puertas y verifique que cierren fácilmente. Si las puertas no cierran fácilmente, mueva un poco el refrigerador hacia atrás girando ambas patas hacia la izquierda. Puede ser necesario hacerlo varias veces, asegúrese de girar ambas patas niveladoras en la misma proporción.

Alineamiento de la puerta (modelo de puerta estándar)

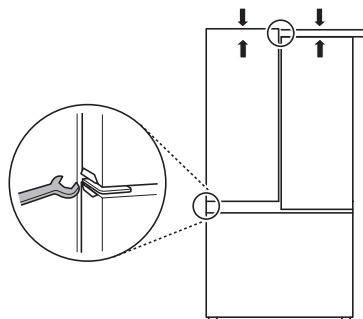
Tanto la puerta izquierda como la derecha del refrigerador tienen una tuerca ajustable en la bisagra inferior para levantarlas o bajarlas a manera de alinearlas apropiadamente.

Si el espacio entre las puertas es desigual incluso después de llenar los contenedores de las puertas, siga las instrucciones a continuación para alinear las puertas de manera pareja:

Use la llave (Incluida con el manual del usuario) para girar la tuerca en la bisagra de la puerta y así ajustar su altura. Gire la tuerca hacia la derecha para levantar la puerta o hacia la izquierda para bajarla.



para levantar la puerta o hacia la izquierda para bajarla.

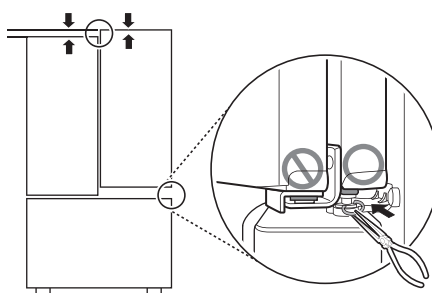


Puerta derecha del refrigerador

La puerta derecha del refrigerador no tiene una tuerca ajustable.

Si el espacio entre las puertas es desigual, siga las instrucciones a continuación para alinear la puerta derecha:

- 1** Con una mano, levante la sección interior y exterior de la puerta derecha para elevarla en la bisagra del medio. (puede ser más fácil levantarla con las puertas abiertas)
- 2** Con la otra mano utilice un alicate para insertar el anillo rápido en la bisagra del medio de la sección interior de la puerta como se muestra. No introduzca el anillo en la bisagra de la sección exterior de la puerta.
- 3** Inserte anillos rápidos adicionales hasta que la puerta esté alineada. (Dos anillos rápidos han sido proveídos con la unidad.)



Alineamiento de la puerta (modelo Door-in-Door (Puerta-en-Puerta))

Puerta izquierda del refrigerador

La puerta izquierda del refrigerador tiene una tuerca ajustable en la bisagra inferior para levantarla o bajarla a manera de alinearlas apropiadamente.

Si el espacio entre las puertas es desigual, siga las instrucciones a continuación para alinear la puerta izquierda:

Use la llave (Incluida con el manual del usuario) para girar la tuerca en la bisagra de la puerta y así ajustar su altura. Gire la tuerca hacia la derecha

Encendido

- Luego de la instalación, conecte el cable de corriente a un enchufe con conexión a tierra de tres espigas y empuje el refrigerador a su posición final.

PRECAUCIÓN

- Conecte a un enchufe de potencia nominal.
 - Haga que un técnico certificado verifique que el tomacorriente de pared y los cables estén adecuadamente conectados a tierra.
 - No dañe o corte la terminal de tierra del enchufe de poder.
-

Posicione el Refrigerador

- Arregle la bobina de tubería para que esta no vibre contra la parte trasera del refrigerador o contra la pared. Empuje el refrigerador hacia la pared.

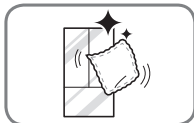
Inicie el Dispensador de Hielo

- Si la línea de agua está conectada, ajuste el interruptor de encendido del dispensador de hielo a la posición ON.
- El dispensador de hielo no empezará a operar hasta que éste alcance su temperatura de operación de 15 °F (-9 °C) o menos. Éste empezará entonces a operar automáticamente si el interruptor de poder del dispensador de hielo está en la posición ON (I).

FUNCIONAMIENTO

Antes de Usar

Lista de verificación

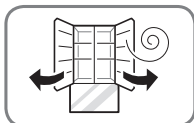


Limpié el refrigerador.

Limpié el refrigerador intensivamente y sacuda todo el polvo acumulado durante el envío.

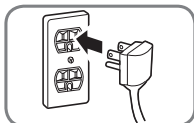
⚠ PRECAUCIÓN

- No raye el refrigerador con objetos puntiagudos ni use detergente que contenga alcohol, líquidos inflamables o abrasivos al remover cualquier cinta o adhesivo del mismo. Remueva los residuos de adhesivos borrándolos con su pulgar o detergente para platos.
- No despegue la etiqueta de número de serie, modelo o información técnica del panel trasero del refrigerador.



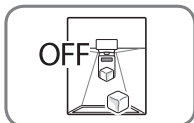
Abra las puertas del refrigerador y los estantes del congelador para ventilar el interior.

El interior del refrigerador puede oler a plástico al inicio. Remueva toda cinta adhesiva del interior del refrigerador y abra las puertas del refrigerador y los estantes del congelador para ventilación.



Conecte la fuente de energía.

Verifique que la fuente de energía esté conectada previo a usar.

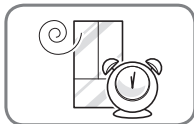


Apague el dispensador de hielo.

Apague el dispensador de hielo si el refrigerador aún no está conectado al suministro de agua.

NOTA

- La válvula de agua del dispensador de hielo puede generar un zumbido si el dispensador de hielo es encendido mientras el refrigerador no está conectado al suministro de agua.

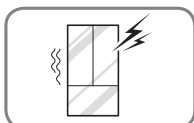


Espera a que el refrigerador enfríe.

Permita que el refrigerador funcione por al menos dos o tres horas previo a colocar alimentos en él. Verifique el flujo de aire frío en el compartimento del congelador para asegurar el enfriado adecuado.

⚠ PRECAUCIÓN

- Si coloca alimentos en el refrigerador previo a que este haya enfriado puede causar que los alimentos se echen a perder o que un mal olor permanezca en su interior.



El refrigerador hace un sonido fuerte luego de la operación inicial.

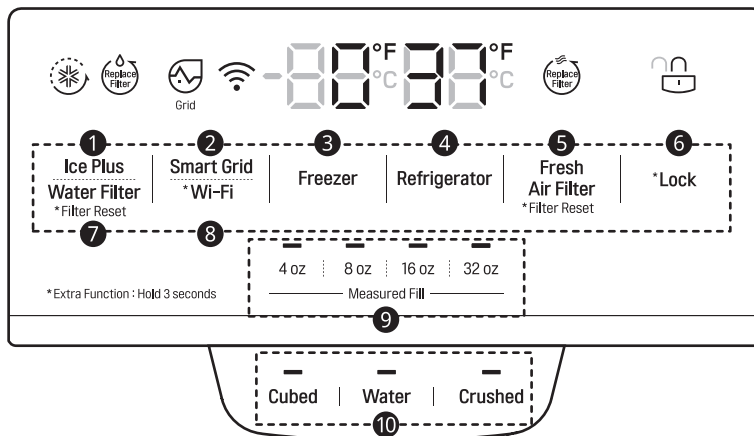
Esto es normal. El volumen disminuirá conforme la temperatura baje.

Panel de control

Según el modelo, es posible que algunas de las siguientes funciones no estén disponibles.

El panel de control real podría variar entre modelo y modelo.

Funciones del panel de control



1 Ice Plus

Esta función incrementa tanto la producción de hielo como la capacidad de congelamiento.

Presione el botón **Ice Plus** para iluminar el ícono y activar la función por 24 horas. La función se desactiva automáticamente después de 24 horas. Desactive la función manualmente presionando el botón una vez más.

2 Smart Grid

Presione el botón **Smart Grid** para Encender/Apagar la función. Cuando la función está activada, el ícono se ilumina. La función se activa automáticamente cuando el refrigerador está conectado a la red Wi-Fi.

Cuando el refrigerador está respondiendo a un mensaje de Demanda de Respuesta (DR) de la compañía eléctrica, el texto de la Red se ilumina.

3 Freezer

Indica la temperatura del compartimento del congelador configurada en Celsius (°C) o Fahrenheit (°F). La temperatura predeterminada del congelador es de 0 °F (-18 °C). Presione repetidamente el botón **Freezer** para seleccionar una nueva temperatura desde -7 °F hasta 5 °F (-23 °C hasta -15 °C).

NOTA

• Craft Ice

- Esta característica solo está disponible en algunos modelos.
- El botón **Freezer** también puede utilizarse para configurar el modo **Craft Ice** a **3 ICE** o **6 ICE**. El modo predeterminado es **3 ICE**.
- Para obtener más hielo, seleccione el modo **6 ICE**. Para un hielo más claro, seleccione el modo **3 ICE**.
- Para cambiar el modo **Craft Ice**:
 - 1) Mantenga pulsado el botón **Freezer** durante 3 segundos hasta que el panel de control emita un pitido y aparezca el modo actual.
 - 2) Presione el botón **Freezer** repetidamente para alternar entre los modos **3 ICE** y **6 ICE**.
 - 3) Después de 5 segundos de tiempo de inactividad, se guardará el último modo configurado y la pantalla volverá a la normalidad.

4 Refrigerator

Indica la temperatura del compartimento del refrigerador configurada en Celsius (°C) o Fahrenheit (°F). La temperatura predeterminada del refrigerador es de 37 °F (3 °C). Presione repetidamente el botón **Refrigerator** para seleccionar una nueva temperatura desde 33 °F hasta 43 °F (1 °C hasta 7 °C).

NOTA

- Para cambiar el modo de temperatura de °F a °C (o viceversa) mantenga presionados los botones **Refrigerator** y **Freezer** simultáneamente por aproximadamente cinco segundos. El indicador de temperatura de la ventana de visualización cambia entre Celsius and Fahrenheit.
- Cuando el icono Replace Filter se encienda, es necesario reemplazar el filtro de aire. Luego de reemplazar el filtro de aire, mantenga presionado el botón Fresh Air Filter por tres segundos para apagar la luz del icono. Es recomendable cambiar el filtro de aire aproximadamente cada seis meses.

5 Fresh Air Filter


El Filtro de Aire ayuda a eliminar los olores del refrigerador.

NOTA


- Reemplace el filtro de aire cuando el ícono  se encienda. Luego de reemplazar el filtro de aire, mantenga presionado el botón **Fresh Air Filter** por tres segundos para apagar la luz del ícono. Reemplace el filtro de aire aproximadamente cada seis meses.

6 Lock

La función de bloqueo deshabilita todos los demás botones en la pantalla.

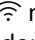
- Cuando la energía es inicialmente conectada al refrigerador, la función de bloqueo está desactivada.
- Para bloquear los botones del panel de control, mantenga presionado el botón **Lock** hasta que se muestre el ícono  en la pantalla y la función sea activada.
- Para deshabilitar la función, mantenga presionado el botón **Lock** por aproximadamente tres segundos.

7 Water Filter

Reemplace el filtro de agua cuando el ícono  se encienda. Luego de reemplazar el filtro de agua, mantenga presionado el botón **Water Filter** por tres segundos para apagar la luz del ícono. Reemplace el filtro de agua aproximadamente cada seis meses.

8 Wi-Fi

El botón Wi-Fi, al ser utilizado con la aplicación **LG ThinQ**, le permite al refrigerador conectarse a una red Wi-Fi doméstica. Vea Smart Functions para obtener más información acerca de la configuración inicial de la aplicación.

El ícono  muestra el estado de la conexión de red del refrigerador. El ícono se ilumina cuando el refrigerador está conectado a la red Wi-Fi.

Presione y mantenga presionado el botón **Wi-Fi** por 3 segundos para conectar a la red. El ícono parpadea mientras la conexión está en proceso, luego se enciende cuando se ha logrado exitosamente.

9 Measured Fill

La función de llenado medido dispensa cantidades de agua medidas previamente de forma automática.

10 Tipo de agua y hielo

Seleccione el modo de dispensador deseado de los botones del panel de control del dispensador. Presione la llave del dispensador con un vaso u otro recipiente para dispensar cubos de hielo, agua o hielo triturado.

⚠ PRECAUCIÓN

Modo de Visualización (Únicamente Para Uso de Tiendas)

- El Modo de Visualización deshabilita toda refrigeración en las secciones del refrigerador y congelador para conservar energía mientras se exhibe en una tienda minorista. Cuando se activa, se muestra apagado (OFF) en el panel de control y la pantalla permanece encendida por 20 segundos.
- Para desactivar / activar:
 - Con cualquier puerta del refrigerador abierta, presione el botón **Ice Plus** 3 veces de manera consecutiva mientras presiona el botón **Refrigerator**. El panel de control emite un pitido y la configuración de la temperatura muestra la confirmación de que el Modo de Exhibición está desactivado. Use el mismo procedimiento para activar el Modo de Exhibición.

NOTA

- Cuando el refrigerador está en Modo de Ahorro de Energía (Power Saving Mode), la pantalla permanecerá apagada hasta que se abra una puerta o se presione un botón. Una vez hecho, la pantalla se mantendrá encendida por 20 segundos.

Modo Sabbath**Modo Sabbath**

El modo Sabbath es utilizado en el Sabbat y las festividades Judías.

- Para activar el modo Sabbath, presione la pantalla para encenderla, luego mantenga presionados los botones **Freezer** y **Wi-Fi** por 3 segundos hasta que aparezca 5b en la pantalla.
- Para desactivar el modo Sabbath de forma manual, mantenga presionados los botones **Freezer** y **Wi-Fi** por 3 segundos.

NOTA

- El modo Sabbath se desactiva automáticamente después de 96 horas.
- Una vez encendido, el modo Sabbath se mantendrá activo incluso si ocurre un apagón.
- Al seleccionar el modo Sabbath, las funciones de alarma se desactivan automáticamente.
- El dispensador o InstaView está desactivado en el modo Sabbath. Esta información solo está disponible en los modelos con dispensador o InstaView.

Dispensador de Hielo y Agua**Antes de Usar****⚠ PRECAUCIÓN**

- Mantenga a los niños alejados del dispensador. Pueden jugar o dañar los controles.
- Deseche las primeras series de hielo (alrededor de 140-160 cubos) luego de la instalación. Eso también es necesario si el refrigerador no ha sido usado por un largo tiempo.
- Si inesperadamente se dispensa hielo o agua, apague el suministro de agua y contacte al Centro de Información al Cliente LG Electronic.
- Nunca use un vaso que sea excepcionalmente puntiagudo o filoso. El hielo puede atascarse en el paso de hielo y el desempeño del refrigerador puede verse afectado.

NOTA

- El agua y hielo dispensado en el primer uso puede incluir partículas u olor provenientes de la línea de suministro o el tanque de agua. Deseche las primeras series de hielo (alrededor de 140-160 cubos). También es necesario si el refrigerador no ha sido usado por un largo tiempo.
- El dispensador no funcionará cuando alguna de las puertas esté abierta.

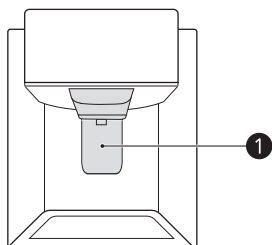
NOTA

- Si hielo decolorado está siendo dispensado, verifique el filtro y el suministro de agua. Si el problema continúa, contacte al Centro de Información al Cliente LG Electronics. No utilice agua o hielo hasta que el problema sea corregido.
- Dispense hielo dentro de un vaso previo a llenarlo con agua u otra bebida. Pueden ocurrir salpicaduras si el hielo es dispensado dentro de un vaso que ya contiene líquido.
- Algo de goteado puede ocurrir luego de dispensar. Sostenga la taza debajo del dispensador por algunos segundos luego de dispensar para que esta recoja todas las gotas.
- Mantenga los contenedores a una distancia apropiada de los dispensadores. Los vasos altos y estrechos deben ser sostenidos a una distancia prudente de la salida de hielo para prevenir que el hielo se atasque en la bandeja de drenaje. Un contenedor con una apertura muy pequeña debe ser sostenido lo más cerca posible del dispensador para evitar derrames.
- Mantenga el vaso a una distancia apropiada de la salida de hielo. Un vaso sostenido muy cerca de la salida puede evitar que el hielo sea dispensado.

Usando el dispensador de agua y hielo

Presione repetidamente el botón de selección de dispensador hasta que la luz que está arriba del ícono que desea se ilumine.

Presione la palanca del dispensador ❶ con un vaso u otro recipiente para dispensar cubos de hielo, agua o hielo triturado.



Usando el Llenado Medido

La función de llenado medido dispensa cantidades de agua medidas previamente de forma automática.

- 1 Seleccione el modo de dispensador deseado de los botones **Measured Fill** del panel de control del dispensador.
- 2 Presione el botón del dispensador con un recipiente.
- 3 Para detener el llenado medido, libere el botón del dispensador.

Bloqueando el dispensador de agua y hielo

Mantenga presionado el botón **Lock** durante tres segundos para bloquear el dispensador y todas las funciones del panel de control. Siga las mismas instrucciones para desbloquear.

Compartimento de Hielo

⚠ PRECAUCIÓN

- Mantenga las manos y herramientas fuera de la puerta del compartimento de hielo y del canal del dispensador. Si no lo hace, puede resultar en daños o lesiones personales.

Mantenga la puerta del compartimento de hielo bien cerrada. Si la puerta del compartimento de hielo no está bien cerrada, el aire frío en el recipiente de hielo congelará los alimentos en el compartimento del refrigerador. Esto también puede causar que el dispensador de hielo deje de producir hielo.

Recipiente de Hielo Interior

La máquina de hielo deja de producir hielo cuando el contenedor de hielo interior está repleto. Para hacer lugar para más hielo, vacíe el contenedor de hielo en el compartimento del congelador. Durante su uso, puede que el hielo se apile desigualmente en el contenedor, causando que la máquina de hielo lea el número de cubos de forma incorrecta y detenga la producción. Agitar el contenedor de hielo para nivelar los cubos en él podría reducir este problema.

⚠ PRECAUCIÓN

- Cuando manipule el recipiente de hielo, mantenga sus manos alejadas del área de la bandeja del dispensador para evitar lesiones.
- Los tarros de almacenamiento u otros artículos en el recipiente de hielo dañarán el dispensador.

- Nunca use vasos delgados o contenedores de cristal para recoger hielo. Dichos contenedores pueden romperse o astillarse, dejando fragmentos de vidrio en el hielo.

Si la máquina de hielo está en modo OFF (Apagado) por un período largo de hielo, con el tiempo el compartimento de hielo se calentará a la temperatura del compartimento del refrigerador. Para prevenir que los cubos de hielo se derritan y que exista un goteo en el dispensador, SIEMPRE vacíe el contenedor cuando la máquina de hielo esté APAGADA por varias horas.

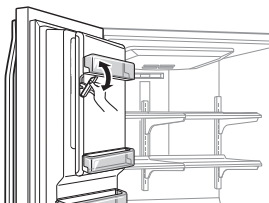
El paso de hielo puede bloquearse con escarcha si solo se usa hielo picado. Remueva la escarcha que se acumula retirando el recipiente de hielo y despejando el paso con una espátula de goma. Dispensar cubos de hielo también puede ayudar a prevenir la formación de escarcha.

Desprendiendo el Contenedor de Hielo Interior.

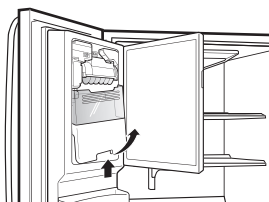
⚠ PRECAUCIÓN

- Únicamente personal de servicio calificado del centro de servicios LG Electronics debería desarmar o reparar la máquina de hielo.

- 1 Tire gentilmente de la manija para abrir el compartimento de hielo.



- 2 Para remover el contenedor de hielo interior, agarre la manija frontal, levante sutilmente la parte inferior y retire lentamente el recipiente como se muestra.



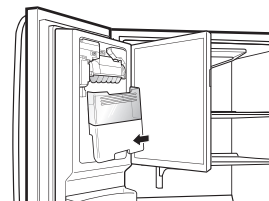
Ensamblando el contenedor de hielo interior.

⚠ PRECAUCIÓN

- Cuando manipule el recipiente de hielo, mantenga sus manos alejadas del área de la bandeja del dispensador para evitar lesiones.
- Evite tocar la desconexión automática (brazo sensitivo) mientras reemplaza el contenedor de hielo. Vea la etiqueta en la puerta del compartimento de hielo para detalles.



- 1 Inserte cuidadosamente el contenedor de hielo interior, inclinando un poco la parte superior para que calce debajo del dispensador.



- 2 Tire gentilmente de la manija para abrir el compartimento de hielo.

Dispensador de Hielo Automático

Antes de utilizar la máquina de hielo interior

NOTA

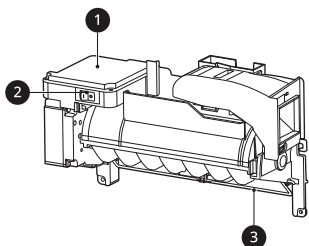
- El hielo es producido en la máquina de hielo automática interior y enviado al dispensador. La máquina de hielo produce de 70 a 182 cubos en un periodo de 24 horas, dependiendo de la temperatura del compartimento del congelador, temperatura ambiente, la cantidad de veces que se abre la puerta y otras condiciones de operación.
- Toma alrededor de 12 a 24 horas para que un refrigerador recién instalado empiece a producir hielo.

NOTA

- La producción de hielo se detiene cuando el contenedor de hielo interior está lleno. Estando lleno, el contenedor de hielo interior contiene aproximadamente de 6 a 8 (12-16 oz) vasos de hielo.
- La presencia de sustancias desconocidas o escarcha en el sensor detector de hielo puede interrumpir la producción del mismo. Asegúrese de que el área del sensor esté limpia todo el tiempo para que opere apropiadamente.
- Para incrementar la producción de hielo, use la función **Ice Plus**. Esta función incrementa tanto la producción de hielo como la capacidad de congelamiento.

- La cantidad y la forma del hielo podrían variar de acuerdo con el ambiente (temperatura ambiente alrededor del electrodoméstico, frecuencia con la que se abre la puerta, cantidad de alimentos almacenados en el electrodoméstico, presión del agua, etc.).
- Si se produce un apagón, deseche el hielo almacenado en el recipiente de hielo.

Máquina de Hielo Interior



- ❶ Máquina de hielo
- ❷ Switch de Encendido
- ❸ Desconexión automática (brazo sensitivo)

Antes de utilizar la máquina de hielo del congelador.

Esta característica solo está disponible en algunos modelos.

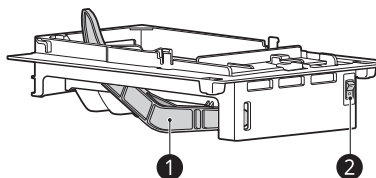
Esta característica puede variar según el modelo adquirido.

NOTA

- Deseche las primeras series de hielo (alrededor de 140-160 cubos) luego de la instalación. Eso también es necesario si el refrigerador no ha sido usado por un largo tiempo.
- La máquina de hielo comienza a producir hielo aproximadamente 48 horas después de la instalación inicial del electrodoméstico.
- Es normal escuchar el sonido del hielo cayendo en el recipiente.
- Si el recipiente de hielo está completamente lleno, la producción de hielo se detendrá.

Máquina de hielo del congelador (cubos de hielo)

Esta característica solo está disponible en algunos modelos.



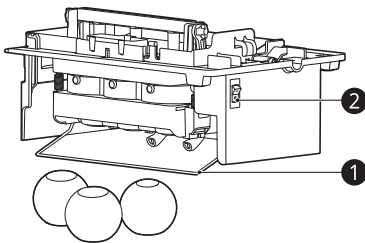
- ❶ Brazo Sensitivo
- ❷ Switch de Encendido

NOTA

- Esta máquina de hielo automática del congelador produce 12 cubos a la vez, 50-110 cubos en un periodo de 24 horas si las condiciones son favorables. Esta cantidad podría variar de acuerdo al ambiente (temperatura ambiente alrededor del electrodoméstico, frecuencia con la que se abre la puerta, cantidad de alimentos almacenados en el electrodoméstico, etc.).
- Los cubos de hielo que se almacenen en el recipiente por un largo periodo de tiempo podrían amontonarse y esto le podría dar dificultades al separarlos. Si esto sucede, vacíe completamente el recipiente de hielo y límpielo antes de re-instalarlo.

Máquina de hielo del congelador (Craft Ice™)

Esta característica solo está disponible en algunos modelos.



- ① Brazo Sensitivo
- ② Switch de Encendido

⚠ PRECAUCIÓN

- No coloque hielo cilíndrico en el contenedor de hielo interior porque se puede dañar el dispensador de hielo y agua.

NOTA

- Luego de la instalación o el reemplazo del filtro de agua, las primeras series de hielo pueden ser semicirculares o contener burbujas de aire.
- Si la presión del agua es menor a 20 psi (138 kPa) o se utiliza un sistema de osmosis inverso, puede variar la forma del hielo.
- El hielo puede lucir turbio según la calidad del agua en la ubicación de la instalación y de las condiciones de funcionamiento.
- Deseche todos los fragmentos de hielo que pueda encontrar en el recipiente de hielo porque se pueden adherir al hielo allí almacenado.
- Después de un breve apagón, se tardará más en hacer la primera serie de hielo y es posible que no sea cilíndrico. Si se corta la energía por un período de tiempo más largo, deseche el hielo almacenado en el recipiente.
- La máquina de hielo **Craft Ice** produce 1 serie de hielo cilíndrico (3 piezas) a la vez.
- En el modo **3 ICE** (ajuste predeterminado), la máquina de hielo **Craft Ice** produce 1 serie de hielo cilíndrico (3 piezas en total) cada 18 - 30 horas. En el modo **6 ICE** la máquina de hielo **Craft Ice** produce 2 series de hielo cilíndrico (6 piezas) en el mismo período.
- Para obtener más hielo, seleccione el modo **6 ICE**. Para un hielo más claro, seleccione el modo **3 ICE**.

- El tiempo necesario para la elaboración del hielo puede variar según las condiciones de funcionamiento.
- El recipiente de hielo almacena de 20 a 30 piezas de hielo cilíndrico.

Encendido y apagado del dispensador de hielo

Para encender/apagar la máquina de hielo automática, ajuste el interruptor de la máquina de hielo a la posición ON (|) o OFF (O).

Sonidos Normales Que Puede Escuchar

- Mantener el dispensador de hielo encendido previo a conectar la línea de agua podría dañarlo.
- La válvula de agua del dispensador de hielo genera un zumbido mientras este se llena de agua. Si el interruptor de la máquina de hielo está en modo Encendido (ON) se generará un zumbido incluso sin que haya sido conectado al agua. Para detener el zumbido, presione el interruptor para apagarla.
- Escuchará el sonido de cubos de hielo cayendo en el contenedor y agua corriendo por la tubería mientras el dispensador de hielo se llena nuevamente.

Preparando para Vacaciones

Ajuste el botón de encendido de la máquina de hielo a la posición OFF (Apagado) y cierre el suministro de agua del refrigerador.

NOTA

- El contenedor de hielo debe ser vaciado cada vez que el botón de encendido sea ajustado al modo apagado (OFF).

Si la temperatura ambiente cae al punto de congelación, contacte a un técnico calificado para drenar el sistema de suministro de agua y así prevenir serios daños a la propiedad debido a inundaciones causadas por la ruptura de líneas de agua o conexiones.

Almacenando Alimentos

Consejos de Almacenamiento de Alimentos

Envuelva o almacene alimentos en el refrigerador en materiales herméticos y a prueba de humedad a menos que se indique lo contrario. Esto previene que el olor y sabor de los alimentos se transfiera a través del refrigerador. Para productos con fecha de caducidad, revise las fechas para asegurar su frescura.

PRECAUCIÓN

- No llene ni envase en exceso los alimentos en los compartimentos de la puerta. Esto podría dañar el compartimento o provocar lesiones personales al retirar los alimentos aplicando una fuerza excesiva.
- No almacene contenedores de vidrio en el congelador. Al congelarse, los contenidos pueden expandirse, romper el contenedor y provocar lesiones.

Cómo guardar los alimentos

- Manteca o Margarina
 - Mantenga manteca abierta en un plato cerrado o compartimento cerrado. Cuando almacene suministros adicionales, envuélvalos en empaquetado de congelado y congele.
- Queso
 - Almacene en empaquetado original hasta que se use. Una vez abierto, reempaque ajustadamente en envoltorio plástico o papel aluminio.
- Leche
 - Limpie las cajas de leche. Para leche más fría coloque los contenedores en un estante interior.
- Huevos
 - Almacene en cartón original en el estante interior, no en el estante de la puerta.
- Fruta
 - No lave o pele fruta hasta que esté lista para ser usada. Organice y mantenga la fruta en el cajón de verduras en sus contenedores originales, o almacénelas en bolsas de papel completamente cerradas en el estante del refrigerador.
- Vegetales Frondosos
 - Remueva el empaquetado de la tienda, recorte o arranque áreas descoloridas y dañadas, lave

en agua fría y escurra. Coloque en bolsas o contenedores plásticos y almacene en el cajón de verduras.

- Vegetales con piel (zanahorias, pimientos)
 - Coloque en bolsas o contenedores plásticos y almacene en el cajón de verduras.
- Pescado
 - Congele pescado fresco y mariscos si éstos no son consumidos el mismo día de la compra. Es recomendable comer pescado fresco y mariscos el mismo día de la compra.
- Restos de comida
 - Cubra los restos de comida con envoltorio plástico o papel aluminio, o almacénelos en contenedores plásticos con tapas ajustadas.

Almacenando Alimentos Congelados

Revise una guía de congelado o un libro de cocina confiable para mayor información acerca del preparado de alimentos para congelado o tiempos de almacenamiento.

Congelando

Su congelador no congelará rápidamente una gran cantidad de alimentos. No coloque más alimentos descongelados en el congelador que los que se enfriarán durante las próximas 24 horas (no más de 2 a 3 libras de comida por pie cúbico del espacio del congelador). Deje suficiente espacio en el congelador para que circule aire alrededor de los empaquetados. Tenga cuidado de dejar suficiente espacio en la parte frontal para que la puerta pueda cerrar correctamente.

El tiempo de almacenamiento variará dependiendo de la calidad y el tipo de alimentos, el tipo de empaquetado o envoltura utilizada (cuán hermética o a prueba de humedad) y la temperatura de almacenaje. Los cristales de hielo dentro de paquetes sellados son normales. Esto simplemente significa que la humedad en la comida y el aire dentro del empaquetado se han condensado, creando hielos de cristal.

NOTA

- Permita que los alimentos calientes se enfríen a temperatura ambiente por 30 minutos, y luego empaque y congele. Enfriar alimentos calientes previo a congelarlos ahorra energía.

Empaquetado

El congelamiento exitoso dependerá del empaquetado correcto. Cuando cierre y selle el empaquetado, éste no debe permitir que entre o salga aire o humedad. Si lo hace, puede que el olor y sabor de sus alimentos se transfieran a través del refrigerador y esto puede también causar que los alimentos congelados se sequen.

Recomendaciones de empaquetado

- Contenedores plásticos rígidos con tapas ajustadas.
- Enlatado de lados rectos / tarros de congelamiento
- Papel aluminio pesado
- Papel plastificado
- Empaques plásticos impermeables
- Bolsas plásticas autosellables para congelador.

Siga las instrucciones del empaque o contenedor para métodos de congelamiento apropiados.

No use

- Envoltorios de pan
- Contenedores plásticos que no sean de polietileno
- Contenedores sin tapas ajustadas
- Papel de cera o envoltorios de congelado recubiertos de cera.
- Envoltorio delgado y semipermeable.

NOTA

- Si se ausentará de casa por un corto período de tiempo, como unas pequeñas vacaciones, el refrigerador debe dejarse encendido. La comida refrigerada que pueda ser congelada se preservará por más tiempo si es almacenada en el congelador.
- Si dejará el refrigerador apagado por un período largo de tiempo, saque toda la comida y desconecte el cable de corriente. Limpie el interior y deje la puerta abierta para prevenir la formación de hongos en el refrigerador.
- No almacene alimentos con contenido muy húmedo cerca del área superior del refrigerador. La humedad podría entrar en contacto directo con el aire frío y congelarse.
- Lave los alimentos previo a almacenarlos en el refrigerador. Frutas y vegetales deben ser lavados, y empaques de alimentos deben ser limpiados para evitar que alimentos cercanos sean contaminados.
- Si el refrigerador se mantiene en un lugar caliente y húmedo, abrir frecuentemente la puerta o almacenar muchos vegetales en el

refrigerador podría causar la formación de condensación. Limpie la condensación con un paño limpio o una toalla de papel.

- Si la puerta del refrigerador o el estante del congelador se abre y cierra muy a menudo, aire caliente puede penetrarlo y elevar así su temperatura. Esto puede incrementar los gastos de funcionamiento de la unidad.

Cajón de verduras con humedad controlada

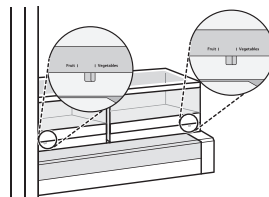
Usando el cajón de verduras con humedad controlada

Esta característica solo está disponible en algunos modelos.

Los cajones proveen fruta y vegetales con un sabor más fresco al permitirle controlar la humedad dentro del estante fácilmente.

Puede controlar la cantidad de humedad en los cajones sellados ajustando el control a cualquier configuración entre **Vegetables** y **Fruit**.

- **Vegetables** mantiene aire húmedo en el cajón para el mejor almacenaje de vegetales frescos y frondosos.
- **Fruit** deja salir el aire húmedo del cajón para el mejor almacenaje de fruta.

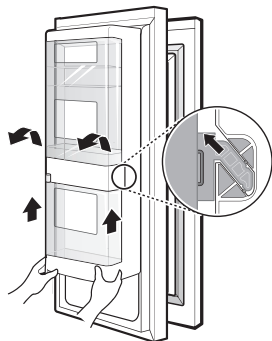


Removiendo/ensamblando el cajón de verduras con humedad controlada

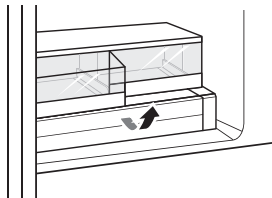
- 1 Abra las puertas completamente y remueva los contenidos de la caja Door-in-Door (Puerta-en-Puerta), luego, levántela y extráigala.

NOTA

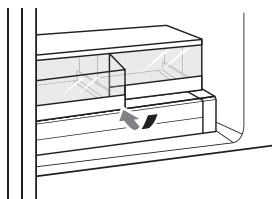
- Esta característica Door-In-Door (Puerta en Puerta) solo está disponible en algunos modelos.



- 2** Extraiga el cajón de verduras a su máxima extensión y retírelo completamente.



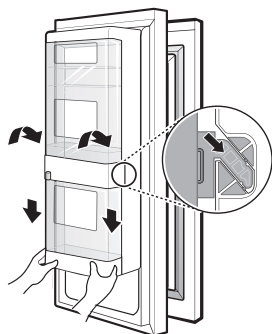
- 3** Para volver a instalar, incline el frente levemente hacia arriba, inserte el cajón de vegetales en el marco y empújelo hacia atrás en su lugar.



- 4** Alinee las pestañas en la caja con las ranuras en la puerta y empuje hacia abajo hasta que calce en su lugar.

NOTA

- Esta característica Door-In-Door (Puerta en Puerta) solo está disponible en algunos modelos.

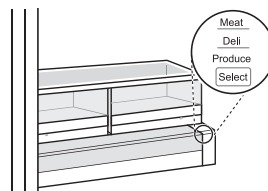


Glide'N'Serve

Usando Glide'N'Serve

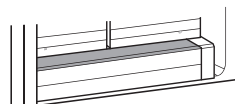
Esta función proporciona un espacio de almacenamiento con un control de temperatura variable que puede mantener el compartimiento a una temperatura un poco diferente a la de la sección del refrigerador. Este estante puede ser usado para bandejas de fiesta, fiambrería y bebidas. (Este estante no debe ser usado para almacenar vegetales que requieren alta humedad).

Presione el botón **Select** para elegir entre **Produce** (frío), **Deli** (más frío) y **Meat** (el más frío).



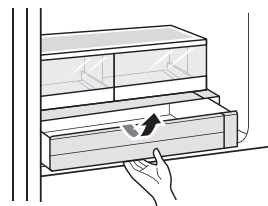
⚠ PRECAUCIÓN

- No coloque ningún objeto sobre la cubierta del Glide'N'Serve.

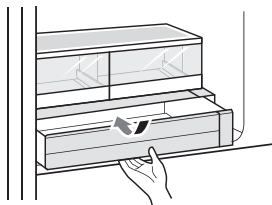


**Desprendiendo/Ensamblando
Glide'N'Serve**

- 1** Para retirar el Glide'N'Serve, extraiga el cajón hasta que alcance el tope, levante la parte frontal y retírelo por completo.



- 2** Para ensamblar, incline el frente levemente hacia arriba, inserte el cajón en el marco y empújelo hacia atrás en su lugar.



Estantes del refrigerador

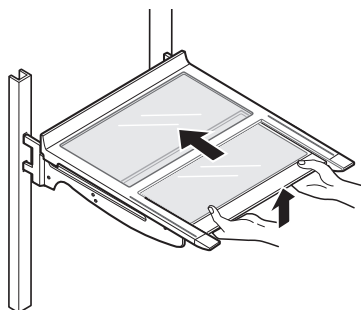
Los estantes del refrigerador son ajustables para satisfacer necesidades de almacenamiento individuales. Su modelo puede tener estantes completos o divididos.

Ajustar los estantes para que quepan artículos de diferentes tamaños hará más fácil la búsqueda de artículos específicos.

Usando el estante plegable

Esta característica solo está disponible en algunos modelos.

Almacene artículos más altos, como un contenedor de galón o botellas, empujando la mitad frontal del estante debajo de la mitad trasera del mismo. Jale la mitad del estante hacia adelante para regresarlo a un estante completo.



⚠ PRECAUCIÓN

- Los estantes de vidrio son pesados. Tenga especial cuidado al removerlos.
- No limpie los estantes de vidrio con agua caliente mientras estén fríos. Los estantes podrían romperse si se exponen a cambios de temperatura o impactos repentinos.

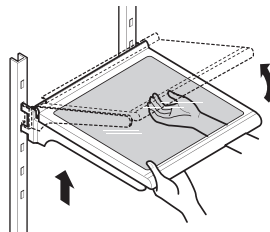
Desprende/ensamblando el estante de mitad de ancho

⚠ PRECAUCIÓN

- No limpie los estantes de vidrio con agua caliente mientras estén fríos. Los estantes

podrían romperse si se exponen a cambios de temperatura o impactos repentinos.

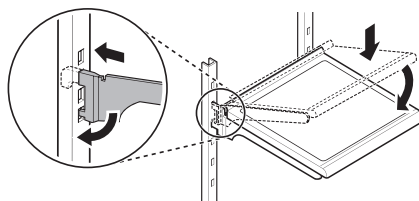
- 1 Para desprender, incline hacia arriba la parte frontal del estante y luego levántelo.
- 2 Retire el estante.



- 3 Para ensamblarlo, incline hacia arriba la parte frontal del estante y guíe los ganchos hacia dentro de las ranuras a la altura deseada.
- 4 Baje el frente del estante para que los ganchos caigan dentro de las ranuras.

⚠ PRECAUCIÓN

- Asegúrese de que los estantes estén nivelados de un lado al otro. No hacerlo puede ocasionar que el estante caiga o los alimentos se derramen.



Door-In-Door (Puerta en Puerta)

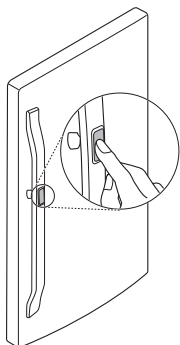
Esta característica solo está disponible en algunos modelos.

El compartimento Door-in-Door permite el acceso fácil a alimentos de uso común.

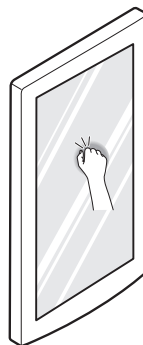
Compartimiento Door-In-Door

Esta característica solo está disponible en algunos modelos.

Para acceder al compartimiento Door-in-Door, presione ligeramente el botón en el agarrador derecho del refrigerador.



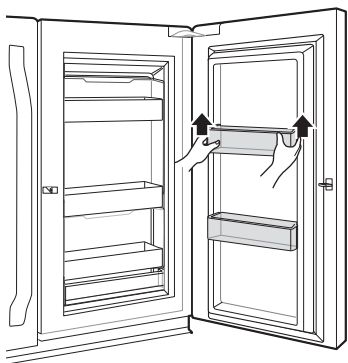
LED se apaga automáticamente después de 10 segundos.



Compartimento Door-in-Door (Puerta-en-Puerta)

Los compartimentos de la puerta interior y exterior **Door-in-Door** son removibles para una fácil limpieza.

- 1 Para remover los compartimentos de la puerta, levante y extraiga.



- 2 Para reemplazar los compartimentos de la puerta, deslice estos sobre el soporte deseado y empújelos hacia abajo hasta que calcen en su lugar.

InstaView Puerta en Puerta

Presione la pantalla dos veces para encender o apagar la luz LED del interior de InstaView. La luz

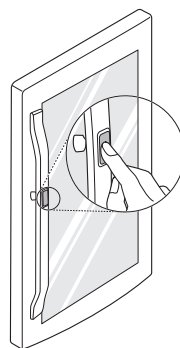
NOTA

- La luz LED no se enciende si la puerta derecha del refrigerador está abierta.
- La función **InstaView** no se activará durante dos segundos después de cerrar la puerta.
- La función **InstaView** está deshabilitada cuando el dispensador de hielo está en uso.

Compartimento InstaView Door-in-Door (puerta en puerta)

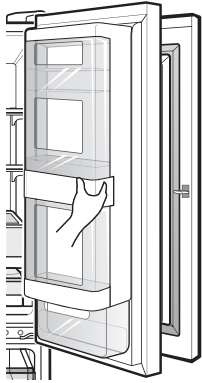
La función **InstaView** en el compartimento **Door-in-Door** le permite ver los contenidos del compartimento sin abrir la puerta.

Para acceder al compartimento **InstaView Door-in-Door**, presione ligeramente el botón en el agarrador derecho del refrigerador.

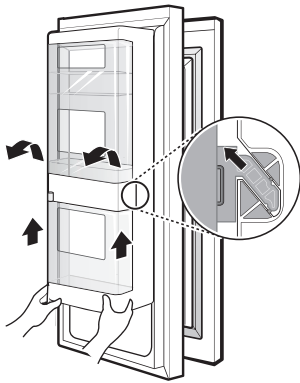


Caja Door-In-Door (puerta a puerta)

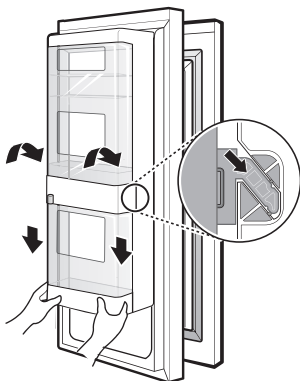
Para abrir la caja **Door-in-Door**, presione sobre el área marcada **Pull to open**. La caja es removible para facilitar su limpieza y ajuste.



- 1 Para remover la caja, levante y extraiga.



- 2 Para reubicar la caja, alinee las pestañas en la caja con las ranuras en la puerta y empuje hacia abajo hasta que calce en su lugar.

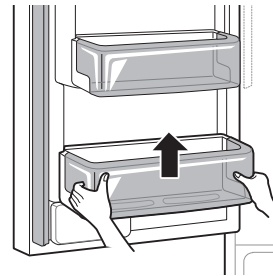


Contenedores de la Puerta

Desprendiendo/colocando el contenedor de la puerta

Los contenedores de la puerta son removibles para limpieza y ajuste fácil.

- 1 Para remover el recipiente, simplemente levántelo y extraiga directamente hacia afuera.



- 2 Para reubicar el recipiente, deslícelo hacia adentro sobre el soporte deseado y empújelo hasta que calce en su lugar.

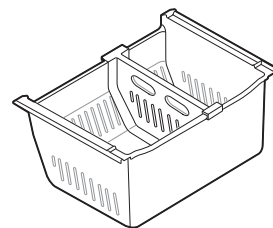
⚠ PRECAUCIÓN

- Desprenda regularmente y lave los recipientes y estantes de almacenamiento; estos pueden contaminarse fácilmente por los alimentos.
- No aplique fuerza en exceso mientras desprende o ensambla los recipientes de almacenamiento.
- No use lava platos para limpiar los recipientes y estantes de almacenamiento.

Durabase

Usando Durabase

El divisor **Durabase** le permite organizar el área **Durabase** en 2 secciones. Puede ser ajustado de lado a lado para acomodar artículos de diferentes tamaños.



⚠ ADVERTENCIA

- Si el divisor **Durabase** es removido, hay espacio suficiente para que niños o mascotas se introduzcan en él. Para prevenir que un niño o mascota se atasque o sofoque, NO permita que niños o mascotas toquen o se acerquen al estante.
-

FUNCIONES INTELIGENTES

Aplicación LG ThinQ

Esta característica solo está disponible en modelos con Wi-Fi.

La aplicación **LG ThinQ** le permite comunicarse con el electrodoméstico usando un teléfono inteligente.

Funciones de la aplicación LG ThinQ

- **Smart Care+†**
 - Ofrece una experiencia más personalizada basada en un análisis de sus patrones de uso.
- **Smart Sabbath†**
 - Activa o desactiva el modo Sabbath y configura la programación para la activación del modo.
- **Monitoreo de energía†**
 - Esta función lleva un registro del consumo de energía del refrigerador y la cantidad de veces que se abrió la puerta.
- **Control Remoto**
 - Controla la temperatura del refrigerador, el filtro de aire fresco y la función Ice Plus desde la aplicación para teléfonos inteligentes.
- **Mensajes Push**
 - Si la puerta permanece abierta durante más de diez minutos, recibirá un mensaje automático. También recibirá un mensaje automático cuando la función Ice Plus finalice.
- **Smart Diagnosis™**
 - Esta función brinda información útil para diagnosticar y resolver problemas con el producto conforme a su patrón de uso.
- **Configuración**
 - Le permite ajustar varias opciones en el refrigerador y en la aplicación.

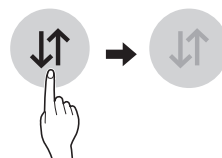
†: Esta característica solo está disponible en algunos modelos.

NOTA

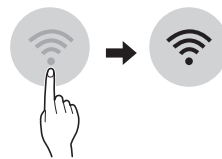
- Si cambia de enrutador inalámbrico, proveedor de Internet o contraseña, borre el electrodoméstico registrado en la aplicación **LG ThinQ** y proceda a registrarlo de nuevo.
- Esta información está actualizada en el momento de su publicación. La aplicación está sujeta a cambios, con fines de mejorar el producto, sin previo aviso a los usuarios.

Antes de usar la aplicación LG ThinQ

- 1 Utilice un teléfono inteligente para verificar la potencia del enrutador (Red Wi-Fi) cerca del electrodoméstico.
 - Si la distancia entre el electrodoméstico y el enrutador inalámbrico es muy grande, la señal será débil. Probablemente le tome más tiempo registrarse o no pueda instalar la aplicación.
- 2 Desactive los **Datos Móviles** o **Datos Celulares** en su teléfono inteligente.



- 3 Conecte su teléfono inteligente al enrutador inalámbrico.




NOTA

- Para verificar la conexión Wi-Fi, revise que el icono en el panel de control esté encendido.
- El electrodoméstico funciona únicamente con redes Wi-Fi de 2.4 GHz. Contacte a su proveedor de servicios de internet o verifique el manual del enrutador inalámbrico para revisar la frecuencia de su red.
- **LG ThinQ** no es responsable por ningún problema de conexión en red, falla, mal funcionamiento o error causado por la conexión de red.
- El entorno inalámbrico circundante puede hacer que el servicio de red inalámbrica funcione lentamente.
- Si el aparato tiene problemas para conectarse a la red Wi-Fi, es posible que se encuentre demasiado lejos del router. Adquiera un repetidor Wi-Fi (extensor de alcance) para mejorar la intensidad de la señal Wi-Fi.

- Es posible que la conexión de red no funcione bien por cuestiones relacionadas con su proveedor de servicios de Internet.
- Es posible que el equipo no se conecte a la red Wi-Fi o que se interrumpa la conexión debido al entorno de la red doméstica.
- Si el electrodoméstico no puede registrarse debido a problemas con la transmisión de la señal inalámbrica, desconéctelo y espere alrededor de un minuto previo a intentarlo de nuevo.
- Si el cortafuegos de su enrutador inalámbrico está activado, desactívelo o añada una excepción a éste.
- El nombre de la red inalámbrica (SSID) debe ser una combinación de letras y números. (No utilice símbolos especiales)
- La interfaz de usuario (IU) del teléfono inteligente puede variar dependiendo del sistema operativo (OS) del móvil y del fabricante.
- Puede que la configuración de red falle si el protocolo de seguridad del router está en **WEP**. Cambie el protocolo de seguridad por otro (es recomendado el **WPA2**) y registre el producto de nuevo.

NOTA

- Para desactivar la función Wi-Fi, mantenga presionado el botón **Wi-Fi** por 3 segundos. El ícono  se apagará.

Especificaciones módulo LAN inalámbrico

Modelo	LCW-004
Rango de frecuencia	2412 - 2462 MHz
Potencia de salida (máx.)	< 30 dBm

Aviso de la FCC

El siguiente aviso cubre el módulo transmisor contenido en este producto.

Este equipo fue probado y se determinó que cumple con los límites para los dispositivos digitales de Clase B, en conformidad con la parte 15 de las normas de la FCC. Estos límites están diseñados para ofrecer una protección razonable contra interferencias dañinas en una instalación residencial. Este equipo genera, usa y puede emitir energía de radiofrecuencia y, si no se instala y utiliza de acuerdo con las instrucciones, podría causar interferencias dañinas a las comunicaciones por radio. Sin embargo, no se garantiza que dicha interferencia no pueda ocurrir en instalaciones particulares. Si este equipo causa interferencia dañina a la recepción de radio o televisión, que se puede determinar encendiendo y apagando el equipo, se aconseja al usuario intentar corregir la interferencia realizando alguna de las siguientes acciones:

- Reorientar o reubicar la antena receptora.
- Aumentar la separación entre el equipo y el receptor.
- Conecte el equipo a una toma de corriente en un circuito diferente al que está conectado el receptor.
- Consultar al vendedor o a un técnico de radio/TV con experiencia para solicitar ayuda.


El dispositivo cumple con la parte 15 de las Reglas FCC. La operación está sujeta a las siguientes dos condiciones:

- (1) Este dispositivo no debe causar interferencia dañina, y

Instalación de la aplicación LG ThinQ

Busque la aplicación **LG ThinQ** en la tienda Google Play o App Store desde su teléfono inteligente. Siga las instrucciones para descargar e instalar la aplicación.

Conexión a Wi-Fi

El botón **Wi-Fi**, al ser usado con la aplicación **LG ThinQ**, permite al electrodoméstico conectarse a la red Wi-Fi doméstica. El ícono  muestra el estado de la conexión de red del electrodoméstico. El ícono se ilumina cuando el electrodoméstico está conectado a la red Wi-Fi.

- **Registro Inicial del Electrodoméstico**
Ejecute la aplicación **LG ThinQ** y siga las instrucciones en ella para registrar el electrodoméstico.
- **Volver a Registrar el Electrodoméstico o Registrar Otro Usuario**
Mantenga presionado el botón **Wi-Fi** por 3 segundos para un apagado temporal. Ejecute la aplicación **LG ThinQ** y siga las instrucciones en ella para registrar el electrodoméstico.

(2) Este dispositivo debe aceptar cualquier interferencia que reciba, incluida la interferencia que pueda causar un funcionamiento no deseado.

Cualquier cambio o modificación en la construcción de este dispositivo, que no cuente con la aprobación expresa de la parte responsable del cumplimiento, puede anular la autorización del usuario para operarlo.

Declaración sobre exposición a la radiación de RF de la FCC

Este equipo cumple con los límites de exposición a la radiación de la FCC establecidos para entornos no controlados. Este transmisor no se debe ubicar ni operar junto con ninguna otra antena ni transmisor.

El equipo se debe instalar y operar con una distancia mínima de 20 cm (7.8 pulg.) entre la antena y su cuerpo. Los usuarios deben seguir las instrucciones de operación específicas de manera tal de cumplir con las normas de exposición a la RF.

Declaración de Industry Canada

Este dispositivo contiene transmisores/receptores exentos de licencia que cumplen con los RSS exentos de licencia de Innovación, Ciencia y Desarrollo Económico de Canadá. La operación está sujeta a las siguientes dos condiciones:

(1) Este dispositivo no debe provocar interferencias.

(2) Este dispositivo debe aceptar cualquier interferencia que reciba, incluidas las interferencias que puedan afectar el funcionamiento del mismo.

Declaración sobre Exposición a Radiación de la IC

Este equipo cumple con los límites de exposición a la radiación de la IC establecidos para entornos no controlados.

Este equipo debe ser instalado y operado con una distancia mínima de 20 cm (7.8 pulg.) entre la antena y su cuerpo.

NOTA

- EL FABRICANTE NO SE HACE RESPONSABLE DE CUALQUIER INTERFERENCIA DE TV O RADIO CAUSADA POR MODIFICACIONES NO AUTORIZADAS A ESTE EQUIPO. TALES MODIFICACIONES PODRÍAN ANULAR LA

AUTORIDAD DEL USUARIO PARA PONER EL EQUIPO EN FUNCIONAMIENTO.

Software de código abierto

Para obtener el código fuente bajo GPL, LGPL, MPL y otras licencias de código abierto que contiene este producto, visite <http://opensource.lge.com>. Además del código fuente, se pueden descargar los términos de la licencia, las anulaciones de la garantía y los avisos de derechos de autor.

LG Electronics también le proporcionará el código abierto en un CD-ROM por un costo que cubra los gastos de dicha distribución (como el costo del medio, del envío y de la manipulación) una vez realizado el pedido por correo electrónico a la dirección opensource@lge.com. Esta oferta es válida solo durante un período de tres años después de que se envíe el último cargamento de este producto. Esta oferta es válida para todo aquel que reciba esta información.

Función Smart Grid (Red Inteligente)

Cuando el refrigerador opera en modo Red Inteligente, la función Refrigerador Inteligente (Smart Refrigerator) puede controlar el uso de energía o retrasar la operación de algunas funciones para ahorrar energía durante períodos de uso pico.

- Puede anular la función Red Inteligente en cualquier momento (usando el botón o aplicación **Smart Grid**).
- Para usar la función Smart Grid, debe registrar su aplicación con su compañía de servicio eléctrico, siempre que su compañía de servicio eléctrico admita la función. En otras palabras, la función Smart Grid no estará disponible si su compañía de servicios eléctricos no admite la función o no tiene la capacidad de admitirla.

Características de la Aplicación Red Inteligente

- Ahorro Inteligente_Respuesta bajo Demanda
 - Puede bajar el uso de energía de acuerdo a las señales de Respuesta a la demanda (DR) de la compañía de energía. Si el refrigerador está funcionando en modo ahorro inteligente de acuerdo a la señal DR, verá un mensaje emergente.

- Ahorro de Energía por Temporada
 - Menor uso de energía basado en un período de tiempo.

Usando la Función Red Inteligente

Esta característica responde a eventos de notificación de su compañía eléctrica para llevar a cabo tareas de alto consumo energético durante períodos no pico cuando la demanda es baja. Estos eventos de notificación son conocidos como señales de Respuesta Bajo Demanda.

Si el refrigerador recibe una señal de Respuesta Bajo Demanda de la compañía eléctrica, activará el LED de Red (Grid LED) en la pantalla y controlará su consumo energético de acuerdo a la señal. El refrigerador responderá a las señales recibidas de la compañía eléctrica siempre y cuando se mantenga el rendimiento del electrodoméstico.

Si el refrigerador recibe una señal de Respuesta Bajo Demanda, operará en modo Retardo de Carga del Electrodoméstico (DAL) o Reducción Temporal de Carga del Electrodoméstico (TALR).

Retardo de Carga del Electrodoméstico (DAL)

El refrigerador responde a la señal DAL proporcionando una reducción moderada de carga durante la duración del período de retraso.

Este modo controla funciones que consumen mucha energía como el ajustado del sistema de enfriado, ciclo de descongelado y producción de hielo.

- Cuando el refrigerador opera en modo DAL, el LED de Red (Grid LED) se ilumina en la pantalla del refrigerador.
- El modo DAL es desactivado automáticamente luego del período estipulado por la señal DAL (máx. 4 horas) o cuando anula la función Red Inteligente.

Reducción Temporal de Carga del Electrodoméstico (TALR)

El refrigerador responde a la señal TALR reduciendo agresivamente la carga por un período corto de tiempo, típicamente 10 minutos. Este modo reduce el consumo de energía deteniendo el compresor y controlando las funciones con mayor consumo de energía como el ciclo de descongelado y el ventilador.

- Cuando el refrigerador opera en modo TALR, el LED de Red (Grid LED) se ilumina en la pantalla del refrigerador.

- El modo TALR es desactivado automáticamente luego de la duración recibida (máx. 10 minutos), o cuando anula la función Red Inteligente. El modo es desactivado inmediatamente y el refrigerador regresará a su estado normal cuando la puerta sea abierta o cerrada, o el dispensador sea usado.

Anule el Modo Red Inteligente

Para ignorar la señal de Respuesta bajo Demanda de la compañía eléctrica y anular la función Red Inteligente, presione el botón Smart Grid mientras el refrigerador está en modo Red Inteligente.

Cuando anula la función Red Inteligente, el refrigerador ignora la señal de Respuesta bajo Demanda y este ya no es controlado por la compañía eléctrica hasta que la siguiente es enviada. También puede anular la función Red Inteligente usando la aplicación para teléfonos inteligentes.

LG Abrir API



Puede administrar las características de Red Inteligente para el Refrigerador Inteligente LG.

Sírvase revisar las especificaciones detalladas en la página de aviso en us.smarththing.com.

Lista API

- Respuesta bajo Demanda
 - Enviar señal de respuesta bajo demanda
- Ahorro de Energía
 - Configurar modo de ahorro
 - Obtener programación de DR/Retraso de Descongelado
- Monitoreo de energía
 - Obtenga el evento de apertura de la puerta
 - Obtenga el consumo de energía
- Capacidad de Retraso de Descongelado
 - Introducir un evento de programación de retraso de descongelado.
 - Actualizar un evento de programación de retraso de descongelado
 - Borrar un evento de programación de descongelado atrasado
 - Obtener programación de descongelado atrasado.

Función Smart Diagnosis™

Esta característica solo está disponible en el modelo con el logo  o .

Utilice esta función como ayuda para diagnosticar y resolver problemas con su electrodoméstico.

NOTA

- Por motivos no atribuibles a la negligencia de LGE, es posible que el servicio no pueda funcionar debido a factores externos como por ejemplo, la indisponibilidad de Wi-Fi, desconexión de Wi-Fi, política de la tienda de aplicaciones local o indisponibilidad de aplicaciones, entre otros.
- Esta función puede estar sujeta a cambios sin previo aviso y puede tener una forma diferente según dónde se encuentre ubicado.

Uso de LG ThinQ para diagnosticar problemas

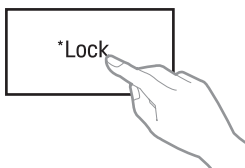
Si experimenta un problema con su electrodoméstico equipado con Wi-Fi, este puede transmitir datos sobre la resolución de problemas a un teléfono inteligente con la aplicación **LG ThinQ**.

- Inicie la aplicación **LG ThinQ** y seleccione la función **Smart Diagnosis** en el menú. Siga las instrucciones provistas en la aplicación **LG ThinQ**.

Uso del diagnóstico audible para diagnosticar problemas

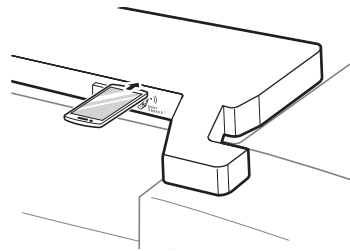
Siga las instrucciones a continuación para utilizar el método de diagnóstico audible.

- Inicie la aplicación **LG ThinQ** y seleccione la función **Smart Diagnosis** en el menú. Siga las instrucciones para el diagnóstico audible provistas en la aplicación **LG ThinQ**.
- 1** Mantenga presionado el botón **Lock** durante tres segundos.
 - Si la pantalla ha sido bloqueada por más de cinco minutos, debe desactivar el bloqueo y luego reactivarlo.

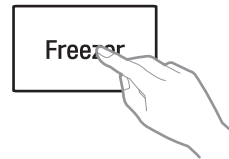


- 2** Abra la puerta derecha del refrigerador.

- 3** Mantenga el micrófono de su teléfono frente al altavoz que se encuentra ubicado en la bisagra derecha de la puerta del refrigerador.



- 4** Mantenga presionado el botón **Freezer** por tres segundos mientras continúa sujetando su teléfono frente al altavoz.



- 5** Tras escuchar tres pitidos, suelte el botón **Freezer**.
- 6** Mantenga el teléfono en su sitio hasta que haya terminado la transmisión de tonos. La pantalla mostrará el recuento de tiempo. Una vez que haya finalizado el recuento de tiempo y los tonos se hayan detenido, aparecerá el diagnóstico en la aplicación.

NOTA

- Para obtener resultados óptimos, no mueva el teléfono mientras se transmitan los tonos.

MANTENIMIENTO

Limpieza

⚠ ADVERTENCIA

- Utilice un limpiador no inflamable. Si no lo hace, puede resultar en incendio, explosión o muerte.

⚠ PRECAUCIÓN

- No use un trapo abrasivo o esponja mientras limpia el interior y exterior del refrigerador.
- No coloque su mano en la superficie inferior del refrigerador cuando abra y cierre las puertas.

Consejos Generales de Limpieza

- Tanto las secciones del refrigerador como del congelador se descongelan automáticamente; sin embargo, limpie ambas secciones una vez al mes para prevenir olores.
- Limpie derrames inmediatamente.
- Desconecte el refrigerador o la corriente eléctrica previo a la limpieza.
- Remueva todas las partes removibles, como los estantes.
- Use una esponja limpia o un paño suave y un detergente ligero en agua tibia. No utilice abrasivos o limpiadores ásperos.
- Lave a mano, enjuague y seque todas las superficies intensivamente.

Exterior

Sustancias inflamables: alcohol (etanol, metanol, alcohol isopropílico, alcohol isobutílico, etc.), disolventes, cloro, benceno, líquidos inflamables, abrasivos, etc.

Para productos con un exterior de acero inoxidable negro, rocíe limpiador de vidrio en un paño limpio de microfibra y frote en dirección de la fibra. No rocíe limpiador de vidrio directamente al panel de pantalla. No utilice limpiadores ásperos o abrasivos.

Para productos con un exterior de acero inoxidable estándar, use un paño húmedo de microfibra y frote en dirección de la fibra. Seque con una toalla de papel para evitar rayones. Para manchas rebeldes y huellas digitales, use algunas gotas de jabón líquido para platos en agua y enjuague con agua caliente antes de secar. No utilice abrasivos o limpiadores ásperos.

Paredes Interiores

- Permita que el congelador se caliente para que el paño no se pegue.

Como ayuda para remover olores, lave el interior del refrigerador con una mezcla de bicarbonato de sodio y agua tibia. Mezcle 2 cucharadas de bicarbonato de sodio con 1 cuarto de galón de agua (26 g de bicarbonato en 1 litro de agua). Asegúrese de que el bicarbonato de sodio está completamente disuelto para que este no raye las superficies del refrigerador.

Revestimientos de Puertas y Juntas

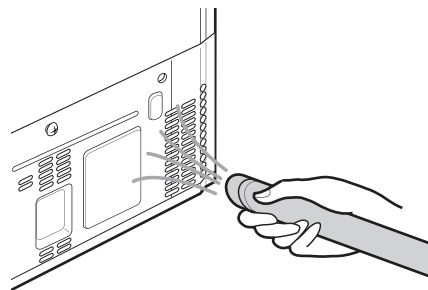
Use una esponja limpia o un paño suave y un detergente ligero en agua tibia. No utilice ceras de limpieza, detergentes concentrados, lejías o limpiadores que contengan petróleo en las partes plásticas del refrigerador.

Partes Plásticas (Cubiertas y Paneles)

Use una esponja limpia o un paño suave y un detergente ligero en agua tibia. No utilice limpiadores de vidrio, limpiadores abrasivos o líquidos inflamables. Estos pueden rayar o dañar el material.

Bobinas del Condensador


Use una aspiradora con un cepillo o hendedura adjunta para limpiar la cubierta y los respiraderos del condensador. No remueva el panel que cubre el área de las bobinas del condensador.



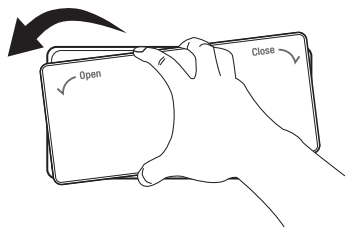
Filtro de Aire

Reemplazo del Filtro de Aire Fresco

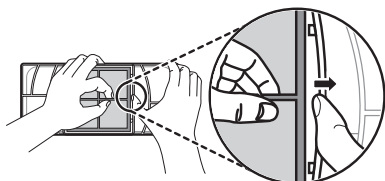
Reemplace el filtro de aire:

- Aproximadamente cada seis meses.
- Cuando el icono **Replace Filter**  se encienda.
- Utilice el filtro de aire de repuesto: LT120F

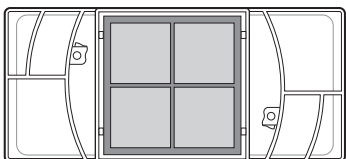
1 Gire la cubierta del filtro hacia la izquierda para liberar las pestañas y retirar la cubierta.



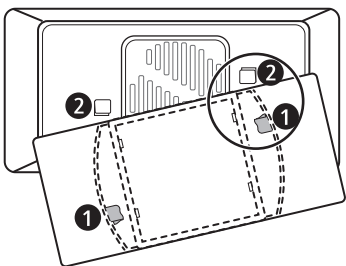
2 Retire el filtro del interior de la cubierta presionando los laterales del filtro y tirando del centro.



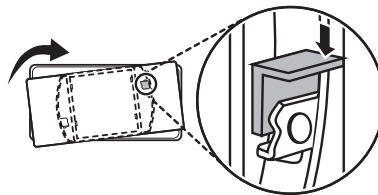
3 Coloque el filtro nuevo dentro de la cubierta con el lado que dice **FRONT** hacia afuera.



4 Alinee las pestañas **1** en la cubierta del filtro con los ganchos **2** de la pared del refrigerador.



5 Gire la cubierta del filtro de aire hacia la derecha hasta que los ganchos se acoplen y la cubierta quede fija en su lugar.



6 Mantenga presionado el botón **Fresh Air Filter** en el panel de control durante 3 segundos para reiniciar el sensor del filtro.



Water Filter (Filtro de agua)

Antes de reemplazar el Filtro de Agua

⚠ ADVERTENCIA

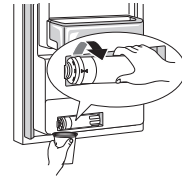
- Para disminuir el riesgo asociado al ahogamiento, no permita que los niños menores de 3 años tengan acceso a las piezas pequeñas durante la instalación de este producto.
- Para disminuir el riesgo asociado a la ingesta de contaminantes, no utilice con agua que no sea segura en términos microbiológicos o de calidad desconocida, sin la adecuada desinfección previa o posterior del sistema. Los sistemas certificados para la reducción de quistes pueden ser utilizados en agua desinfectada que pueda contener quistes filtrables.
- El uso de filtros de agua no autorizados puede provocar un mal funcionamiento del producto, una pérdida de agua o problemas en la calidad del agua, los cuales no estarán cubiertos por la garantía del producto.

⚠ PRECAUCIÓN

- Lea y siga las Instrucciones de Uso previo a la instalación y uso de este sistema.
- La instalación y uso DEBEN cumplir con toda la normativa de plomería estatal y local.
- No lleve a cabo la instalación si la presión del agua excede los 120 psi (827 kPa). Si la presión del agua excede los 80 psi, deberá instalar una válvula limitante de presión. Contáctese a un plomero si no está seguro sobre cómo revisar la presión del agua.
- No lleve a cabo la instalación donde pueden producirse condiciones de golpes de ariete de

agua. Si existen condiciones de golpes de ariete de agua, deberá instalar un supresor de golpes de ariete. Contacte a un plomero profesional si no sabe cómo revisar esta condición.


- No lleve a cabo la instalación en líneas de agua caliente. La temperatura máxima de operación de este sistema de filtro es 100 °F (37.8 °C).
- Evite la congelación del filtro. Drene el filtro cuando la temperatura caiga debajo de 40 °F (4.4 °C).
- El cartucho de filtro desechable DEBE sustituirse cada 6 meses, con la capacidad nominal o si se observa una significativa reducción del caudal.
- Para proteger de la congelación, remueva el cartucho del filtro cuando se prevea que las temperaturas puedan ser inferiores a 33° F.
- No instale sistemas en áreas donde la temperatura ambiente pueda superar los 110° F (43.3° C).
- Donde se instale un dispositivo de prevención de reflujos en un sistema de agua, deberá instalarse un dispositivo para controlar la presión debido a la expansión térmica.
- Asegúrese de que todas las tuberías y conexiones estén correctamente instaladas y sin fugas.



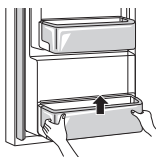
NOTA

- Reemplazar el filtro de agua causa que una pequeña cantidad de agua (alrededor de 1 oz o 25 cc) se drene.
- Envuelva un paño alrededor de la parte delantera de la cubierta del filtro de agua para recoger cualquier goteo. En cuanto sea removido, sostenga el filtro de agua en posición vertical, para prevenir que cualquier remanente de agua salga del filtro.

Reemplazo del Filtro de Agua

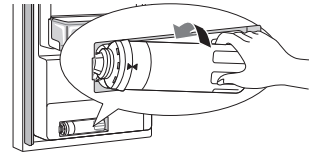
- Reemplace el filtro de agua:
 - Aproximadamente cada seis meses.
 - Cuando el icono **Replace Filter**  se encienda.
 - Cuando disminuya la potencia del dispensador de agua.
- Para comprar un filtro de agua de repuesto:
 - Visite a su proveedor o distribuidor local
 - Busque usando "filtro de agua" en lg.com
 - Utilice cartucho de reemplazo: LT1000P, LT1000PC, LT1000PCS o ADQ747935**

- 1 Remueva el compartimento de la puerta.



- 2 Remueva el filtro de agua desechable.

- 3 Reemplácelo con un nuevo filtro de agua. Inserte el nuevo filtro en el cabezal para filtros y rótelos hacia la derecha hasta que la flecha del nuevo filtro quede alineada con la flecha del cabezal para filtros. Gire el filtro nuevamente en el compartimento.



- 4 Reempace el compartimento de la puerta.
- 5 Luego de cambiar el filtro, mantenga presionado el botón **Water Filter** por tres segundos para reiniciar el sensor del filtro.
- 6 Luego de reemplazar el filtro de agua, dispense 2.5 galones de agua (deje correr el agua por aproximadamente 5 minutos) para remover el aire atrapado y los contaminantes del sistema.

NOTA

- No dispense los 2.5 galones completos de manera continua. Presione y suelte el botón del dispensador en ciclos de 30 segundos ENCENDIDO y 60 segundos APAGADO.

⚠ PRECAUCIÓN

- LG recomienda que utilice filtros de agua autorizados por LG para prevenir problemas con la calidad del agua, pérdida de agua o malfuncionamiento del electrodoméstico.
-

Para mayor asistencia, llame al:


- 1-800-243-0000 (USA)
- 1-888-542-2623 (Canadá)

Hoja de Datos de Rendimiento

Modelo: LT1000P, LT1000PC, LT1000PCS

Código del Nombre Comercial del Sistema NSF: MDJ64844601

La concentración de las sustancias indicadas en el agua que entra al sistema se redujo a una concentración menor o igual al límite permisible para el agua de salida según lo especificado en NSF/ANSI Estándar 42, Estándar 53 y Estándar 401.

	Sistema probado y certificado por NSF Internacional en contra de NSF/ANSI Estándar 42, Estándar 43 y Estándar 401 para la reducción de las siguientes sustancias.
--	---

Reducción de Sustancia	Dificultad de Afluencia Promedio	Concentración Objetivo especificada por NSF	% Reducción Promedio	Concentración Media de Producto en Agua	Concentración Máxima Permissible de Producto en Agua	Requisitos de Reducción NSF
Olor y Sabor a Cloro	2.0 µg/L	2.0 µg/L ± 10%	>97.5%	0.050 µg/L	N/A	≥ 50.00%
Partícula Nominal Clase I, ≥ 0.5 a < 1.0 µm	12,000,000 pts/mL	Al menos 10,000 partículas/mL	99.80%	24,000 pts/ml	N/A	≥ 85.00%
Asbesto	180 MFL	10 ⁷ to 10 ⁸ MFL; fibras de una longitud mayor a 10 µg/L in	>99.00%	< 1 MFL	N/A	≥ 99.00%
Atracina	8.5 µg/L	9.0 µg/L ± 10%	>94.10%	0.500 µg/L	3.0 µg/L	NA
Benceno	15.0 µg/L	15.0 µg/L ± 10%	>96.60%	0.510 µg/L	5.0 µg/L	NA
Carbofurano	74.0 µg/L	80.0 µg/L ± 10%	98.30%	1.258 µg/L	40 µg/L	NA
Lindano	1.9 µg/L	2.0 µg/L ± 10%	>99.00%	0.019 µg/L	0.2 µg/L	NA
P-Diclorobenceno	230.0 µg/L	225.0 µg/L ± 10%	>99.80%	0.460 µg/L	75.0 µg/L	NA
2,4-D	210.0 µg/L	210.0 µg/L ± 10%	>99.90%	0.210 µg/L	70.0 µg/L	NA
Plomo pH @6.5	140.0 µg/L	150.0 µg/L ± 10%	99.60%	0.560 µg/L	10.0 µg/L	NA
Plomo pH @8.5	150.0 µg/L	150.0 µg/L ± 10%	>99.70%	<0.500 µg/L	10.0 µg/L	NA
Mercurio @ pH6.5	5.9 µg/L	6.0 µg/L ± 10%	91.00%	0.531 µg/L	2.0 µg/L	NA
Mercurio @ pH8.5	5.6 µg/L	6.0 µg/L ± 10%	92.5%	0.420 µg/L	2.0 µg/L	NA
Bacterias*	100,000 quistes/L	Mínimo de 50,000 bacterias/L	>99.99%	10 quistes/L	N/A	≥ 99.95%
Atenolol	240 ng/L	200 ± 40% ng/L	> 95.50%	10.80 ng/L	30 ng/L	NA
Carbamazepina	1600 ng/L	1400 ± 40% ng/L	98.40%	25.60 ng/L	200 ng/L	NA
DEET	1600 ng/L	1400 ± 40% ng/L	97.10%	46.40 ng/L	200 ng/L	NA
Trimetoprima	170 ng/L	140 ± 40% ng/L	>96.80%	5.44 ng/L	20 ng/L	NA
Linuron	160 ng/L	140 ± 40% ng/L	>96.60%	5.44 ng/L	20 ng/L	NA
Fenitoína	200 ng/L	200 ± 40% ng/L	>94.80%	10.40 ng/L	30 ng/L	NA
Ibuprofeno	400 ng/L	400 ± 40% ng/L	>94.50%	22.00 ng/L	60 ng/L	NA

Reducción de Sustancia	Dificultad de Afluencia Promedio	Concentración Objetivo especificada por NSF	% Reducción Promedio	Concentración Media de Producto en Agua	Concentración Máxima Permissible de Producto en Agua	Requisitos de Reducción NSF
Naproxeno	140 ng/L	140 ± 40% ng/L	>96.10%	5.46 ng/L	20 ng/L	NA
Estrona	120 ng/L	140 ± 40% ng/L	>96.10%	4.68 ng/L	20 ng/L	NA
Bisfenol A	2000 ng/L	2000 ± 40% ng/L	>98.90%	22.00 ng/L	300 ng/L	NA
Nonilfenol	1600 ng/L	1400 ± 40% ng/L	>97.10%	46.40 ng/L	200 ng/L	NA

- Basado en el uso de ooquistes de *Cryptosporidium parvum*.

Lineamientos de Aplicación / Parámetros de Suministro de Agua	
Flujo de Servicio	0.5 gpm (1.9 lpm)
Suministro de Agua	Pozo Comunitario o Privado - Agua Potable
Presión de Agua	20 – 120 psi (138 – 827 kPa)
Temperatura del agua	33 °F – 100 °F (0.6 °C – 37.8°C)
Capacidad	200 galones (757 litros)

Es indispensable que se realicen la instalación recomendada por el fabricante, el mantenimiento y los requerimientos de remplazo del filtro para que el producto se desempeñe adecuadamente.

NOTA

- Aunque se llevaron a cabo las pruebas en condiciones estándar de laboratorio, el desempeño real podría variar.

Para filtros de reemplazo, visite a su proveedor o distribuidor local o busque "filtros de agua" en el sitio web lg.com.

Para mayor asistencia, contáctese al Centro de Información al Cliente de LG Electronics.

USA: 1-800-243-0000

Canadá: 1-888-542-2623

Cartucho de reemplazo: LT1000P, LT1000PC, LT1000PCS o ADQ747935**

LG es una marca registrada de la corporación LG.

NSF es una marca comercial de NSF International.

Manufacturado por LG Electronics, INC:

170, Sungsanpaechoungro, Seongsan-gu, Gyeongsangnam-do, THE REPUBLIC OF KOREA

SOLUCIÓN DE PROBLEMAS

Preguntas Frecuentes

Preguntas frecuentes

- P: ¿Cuál es la mejor configuración de temperatura para mi refrigerador y congelador?**
- R: La configuración predeterminada del refrigerador es 37° Fahrenheit (3° Celsius). La configuración predeterminada del congelador es 0° Fahrenheit (-18° Celsius). Ajuste esta configuración según sus necesidades a manera de mantener los alimentos a la temperatura deseada. La leche deberá mantenerse fría al almacenarse en el estante interior del refrigerador. El helado deberá estar firme y los cubos de hielo no deberán derretirse en el congelador. Para cambiar la pantalla de Fahrenheit a Celsius, mantenga presionados los botones **Freezer** y **Refrigerator** hasta que escuche un sonido y vea el cambio de ajustes en la pantalla.
- P: ¿Cómo establezco la temperatura del refrigerador y del congelador?**
- R: Presione continuamente el botón **Refrigerator** o **Freezer** en el panel de control hasta que aparezca la temperatura deseada. Los números se mostrarán de mayor a menor y volverán a comenzar por el mayor a medida que siga presionando.
- P: ¿Por qué escucho un zumbido periódicamente desde mi refrigerador?**
- R: Esto puede suceder si no tiene una fuente de agua conectada a su refrigerador y el dispensador de hielo está encendido. Si no tiene una fuente de agua conectada a la parte trasera del refrigerador, debe apagar el dispensador de hielo.
- P: ¿Por qué el recipiente del dispensador de hielo se ve encorvado?**
- R: Esta es una parte normal del ciclo del dispensador de hielo. La bandeja del dispensador de hielo puede parecer nivelada o con una leve inclinación. El cambio de posición es para asistir el proceso de congelación.
- P: Mi refrigerador está encendido y los controles están funcionando, pero no está enfriando y la pantalla muestra "OFF" (Apagado) (Vea abajo). ¿Qué está mal?**
- R: El refrigerador está en Modo de Exhibición. El Modo de Exhibición deshabilita toda refrigeración en las secciones del refrigerador y congelador para conservar energía mientras se exhibe en una tienda minorista. Cuando se activa, se muestra apagado (OFF) en el panel de control y la pantalla permanece encendida por 20 segundos. Con cualquier puerta del refrigerador abierta, presione el botón **Ice Plus** 3 veces de manera consecutiva mientras presiona el botón **Refrigerator**. El panel de control emite un pitido y la configuración de la temperatura muestra la confirmación de que el Modo de Exhibición está desactivado. Utilice el mismo procedimiento para activar el Modo de Exhibición.



Antes de llamar al servicio técnico

Revise esta sección antes de llamar para servicio; hacerlo le ahorrará tiempo y dinero.

Enfriamiento

Problemas	Causas posibles y solución
Las secciones del Refrigerador y Congelador no están enfriando.	El control del refrigerador está configurado en APAGADO (algunos modelos). <ul style="list-style-type: none"> Configure el control en ENCENDIDO. Consulte la Configuración en la sección Controles para los ajustes apropiados de temperatura.
	El Refrigerador está configurado en Modo Demo. <ul style="list-style-type: none"> Modo Demo permite que la iluminación y la pantalla de control funcionen normalmente mientras que deshabilita el enfriamiento para ahorrar energía mientras el refrigerador está en exhibición. Vea las Preguntas Frecuentes y la Configuración en la sección Controles de este manual para instrucciones sobre cómo deshabilitar el Modo Demo.
	El refrigerador está en el ciclo de descongelado. <ul style="list-style-type: none"> Durante el ciclo de descongelado, la temperatura de cada compartimento puede incrementarse levemente. Espere 30 minutos y confirme que la temperatura apropiada haya sido restaurada una vez que el ciclo de descongelado haya sido completado.
	El refrigerador fue instalado recientemente. <ul style="list-style-type: none"> Puede tomar hasta 24 horas para que cada compartimento alcance la temperatura deseada.
	El refrigerador fue reubicado recientemente. <ul style="list-style-type: none"> Si el refrigerador estaba almacenado por un período largo de tiempo o reclinado, es necesario que éste se mantenga en posición vertical por 24 horas previo a conectarlo a la corriente eléctrica.
El sistema de enfriamiento se ejecuta mucho.	El refrigerador está reemplazando un modelo anterior. <ul style="list-style-type: none"> Los refrigeradores modernos requieren más tiempo de operación pero usan menos energía debido a tecnología más eficiente.
	El refrigerador fue conectado recientemente o su fuente de energía fue restablecida. <ul style="list-style-type: none"> Puede tomar hasta 24 horas para que el refrigerador enfríe completamente.
	La puerta es abierta frecuentemente o una gran cantidad de alimentos / alimentos calientes fueron añadidos. <ul style="list-style-type: none"> Al añadir alimentos y abrir las puertas el refrigerador se calienta, requiriendo que el compresor se ejecute más tiempo a manera de enfriarlo de nuevo. A manera de conservar energía, intente retirar todo lo que necesita del refrigerador al mismo tiempo, mantenga los alimentos organizados para que sea fácil encontrarlos, y cierre la puerta en cuanto los alimentos sean retirados. (Consulte la Guía de Almacenamiento de Alimentos.)
	Las puertas no están completamente cerradas. <ul style="list-style-type: none"> Cierre las puertas firmemente. Si éstas no cierran completamente, vea la sección "Puertas no cierran o abren completamente" en Solución de Problemas.
	El refrigerador está instalado en una ubicación caliente. <ul style="list-style-type: none"> El compresor se ejecutará por más tiempo en condiciones templadas. En temperaturas normales de habitación (70 °F o 21 °C) espere que su compresor se ejecute de 40% a 80% del tiempo. Bajo condiciones más calientes, espere que este se ejecute más seguido. El refrigerador no debe ser operado sobre 110 °F (43 °C).
	Condensador / cubierta trasera está obstruida. <ul style="list-style-type: none"> Use una aspiradora con un accesorio adjunto para limpiar la cubierta y los respiraderos del condensador. No remueva el panel que cubre el área de las bobinas del condensador.

Problemas	Causas posibles y solución
Acumulación de humedad interior.	Las puertas están abiertas constantemente o por períodos largos de tiempo. <ul style="list-style-type: none"> • Cuando las puertas están abiertas constantemente o por períodos largos de tiempo, el aire caliente y húmedo entra al compartimento. Esto eleva la temperatura y el nivel de humedad dentro del compartimento. Para disminuir el efecto, reduzca la frecuencia y duración de apertura de la puerta.
	Las puertas no están cerradas correctamente. <ul style="list-style-type: none"> • Vea la sección Puertas no cierran o abren completamente en Solución de Problemas de Partes & Características.
	El clima es húmedo. <ul style="list-style-type: none"> • El clima húmedo permite que humedad adicional ingrese a los compartimentos cuando las puertas se abren, provocando condensación o escarcha. Mantener un nivel de humedad razonable en el hogar ayudará a controlar la cantidad de humedad que pueda ingresar a los compartimentos.
	Ciclo de descongelado recientemente completado. <ul style="list-style-type: none"> • Durante el ciclo de descongelado, la temperatura de cada compartimento puede incrementar levemente y puede que se forme condensación en la pared trasera. Espere 30 minutos y confirme que la temperatura adecuada se ha restaurado una vez el ciclo de descongelado ha sido completado.
	Los alimentos no están empacados correctamente. <ul style="list-style-type: none"> • Los alimentos almacenados, descubiertos o desenvueltos, y contenedores húmedos pueden llegar a generar acumulación de humedad dentro de cada compartimento. Seque todos los contenedores y almacene los alimentos en empaques sellados para prevenir condensación y escarcha.
Los alimentos se están congelando en el compartimento del refrigerador.	Alimentos con contenido alto en agua fueron ubicados cerca de una ranura de ventilación. <ul style="list-style-type: none"> • Reorganice los artículos con contenido alto en agua alejados de las ranuras de ventilación.
	La temperatura del refrigerador está configurada incorrectamente. <ul style="list-style-type: none"> • Si la temperatura es muy baja, ajuste el control mediante un incremento a la vez y espere a que la temperatura se estabilice. Consulte la sección Ajustando los Controles para más información.
	El refrigerador está instalado en una ubicación fría. <ul style="list-style-type: none"> • Cuando el refrigerador es operado en una temperatura inferior a 41 °F (5 °C), los alimentos pueden congelarse en el compartimento del refrigerador. El refrigerador no debe ser operado en temperaturas inferiores a 55 °F (13 °C).
La sección del Refrigerador o Congelador está muy fría.	Ajustes de control de temperatura incorrectos. <ul style="list-style-type: none"> • Si la temperatura es muy fría, ajuste el control un incremento a la vez y espere a que la temperatura se estabilice. Consulte el Panel de Control para mayor información.
Se forma escarcha o cristales de hielo en alimentos congelados (dentro de paquete sellado).	Condensación de alimentos con un alto contenido de agua se ha congelado dentro del paquete. <ul style="list-style-type: none"> • Esto es normal para alimentos con un alto contenido de agua.
	Alimentos se han dejado en el congelador por un largo período de tiempo. <ul style="list-style-type: none"> • No almacene alimentos con un alto contenido de agua en el congelador por un largo período de tiempo.
Formación de escarcha o cristales de hielo en alimentos congelados (fuera del empaque).	La puerta es abierta frecuentemente o por períodos prolongados de tiempo. <ul style="list-style-type: none"> • Cuando las puertas son abiertas constantemente o por períodos largos de tiempo, aire caliente y húmedo entra al compartimento. Esto eleva la temperatura y el nivel de humedad dentro del compartimento. Para disminuir el efecto, reduzca la frecuencia y duración de apertura de la puerta.
	La puerta no cierra correctamente. <ul style="list-style-type: none"> • Vea la sección "Puertas no cierran o abren correctamente" en Solución de Problemas.

Problemas	Causas posibles y solución
Las secciones del Refrigerador y Congelador están muy calientes.	El refrigerador fue instalado recientemente. <ul style="list-style-type: none"> • Puede tomar hasta 24 horas para que cada compartimento alcance la temperatura deseada.
	Los respiraderos están bloqueados. Aire frío circula desde el congelador hasta la sección de alimentos frescos y luego de regreso a través de los respiraderos en la pared que divide las dos secciones. <ul style="list-style-type: none"> • Reorganice los artículos con contenido alto en agua alejados de las ranuras de ventilación.
	Las puertas están abiertas constantemente o por períodos largos de tiempo. <ul style="list-style-type: none"> • Cuando las puertas están abiertas constantemente o por períodos largos de tiempo, el aire caliente y húmedo entra al compartimento. Esto eleva la temperatura y el nivel de humedad dentro del compartimento. Para disminuir el efecto, reduzca la frecuencia y duración de apertura de la puerta.
	Reorganice los artículos con contenido alto en agua alejados de las ranuras de ventilación. <ul style="list-style-type: none"> • El refrigerador no debe ser operado en temperaturas por encima de 110 °F (43 °C).
	Reorganice los artículos con contenido alto en agua alejados de las ranuras de ventilación. <ul style="list-style-type: none"> • Reorganice los artículos con contenido alto en agua alejados de las ranuras de ventilación.
	Las puertas no están cerradas correctamente. <ul style="list-style-type: none"> • Vea la sección "Puertas no cierran o abren correctamente" en Solución de Problemas.
	Reorganice los artículos con contenido alto en agua alejados de las ranuras de ventilación. <ul style="list-style-type: none"> • Si la temperatura es muy alta, ajuste el control un incremento a la vez y espere a que la temperatura se estabilice.
	Reorganice los artículos con contenido alto en agua alejados de las ranuras de ventilación. <ul style="list-style-type: none"> • Durante el ciclo de descongelado, la temperatura de cada compartimento puede incrementar levemente y formar condensación en la pared trasera. Espere 30 minutos y confirme que la temperatura apropiada haya sido restaurada una vez el ciclo de descongelado haya sido completado.

Hielo & Agua

Problemas	Causas posibles y solución
El dispensador de hielo no está produciendo suficiente hielo.	La demanda excede la capacidad de almacenamiento de hielo. <ul style="list-style-type: none"> El dispensador de hielo producirá aproximadamente 70-184 cubos en un período de 24 horas.
	El suministro de agua principal no está conectado, la válvula no está completamente encendida o la válvula está obstruida. <ul style="list-style-type: none"> Conecte el refrigerador a un suministro de agua fría con presión adecuada y abra la válvula de cierre de agua completamente. Si el problema continúa, puede que sea necesario contactar a un plomero.
	El filtro de agua ha sido agotado. <ul style="list-style-type: none"> El reemplazo del filtro de agua se recomienda: <ul style="list-style-type: none"> Aproximadamente cada seis meses. Cuando se encienda el indicador de filtro de agua. Cuando disminuya la potencia del dispensador de agua. Cuando los cubos de hielo sean más pequeños de lo normal.
	Baja presión de suministro de agua principal. <ul style="list-style-type: none"> La presión del agua debe estar entre los 20 y los 120 psi en modelos sin filtro de agua y entre los 40 y 120 psi en modelos con filtro de agua. Si el problema continúa, puede que sea necesario contactar a un plomero.
	Se está usando el Sistema de Filtración de Osmosis Inversa. <ul style="list-style-type: none"> Los sistemas de filtración de osmosis inversa pueden reducir la presión de agua por debajo de la cantidad mínima y provocar problemas en el dispensador de hielo. (Consulte la sección Conectando la Línea de Agua.)
	La tubería que conecta el refrigerador a la válvula de suministro del hogar está retorcida. <ul style="list-style-type: none"> La tubería se puede retorcer cuando el refrigerador es movido durante la instalación o limpieza, provocando un flujo reducido de agua. Enderece o repare la línea del suministro de agua y arrégla para prevenir futuras torceduras.
	Las puertas están abiertas constantemente o por períodos largos de tiempo. <ul style="list-style-type: none"> Si las puertas de la unidad se abren a menudo, el aire ambiental calentará el refrigerador, lo que impedirá que la unidad pueda mantener la temperatura establecida. Puede ayudar el bajar la temperatura del refrigerador, así como no abrir las puertas con tanta frecuencia.
	Las puertas no están completamente cerradas. <ul style="list-style-type: none"> Si las puertas no están cerradas correctamente, la producción de hielo se verá afectada. Para obtener mayor información, vea la sección Las puertas no se cierran completamente o quedan abiertas en la sección Componentes y Características de la Guía de resolución de problemas.
El ajuste de temperatura del congelador es demasiado cálido. <ul style="list-style-type: none"> La temperatura recomendada para el compartimento del congelador para una producción normal de hielo es de 0 °F. Si la temperatura del congelador es superior, la producción se verá afectada. 	

Problemas	Causas posibles y solución
El dispensador de hielo no está produciendo hielo.	El refrigerador fue instalado recientemente o el dispensador de hielo fue conectado recientemente. <ul style="list-style-type: none"> • Puede tomar hasta 24 horas para que cada compartimento alcance la temperatura deseada y para que el dispensador de hielo empiece a producir hielo.
	El dispensador de hielo no está conectado. <ul style="list-style-type: none"> • Localice el botón Encendido/Apagado y confirme que está en la posición de Encendido (On).
	El sensor de detección de hielo está obstruido. <ul style="list-style-type: none"> • Las sustancias desconocidas o escarcha en el sensor detector de hielo pueden interrumpir la producción del mismo. Asegúrese de que el área del sensor está limpia todo el tiempo para que opere apropiadamente.
	El refrigerador no está conectado a un suministro de agua o la válvula de cierre del suministro no está abierta. <ul style="list-style-type: none"> • Conecte el refrigerador al suministro de agua y abra completamente la válvula de cierre de agua.
	Corte del dispensador de hielo (brazo o sensor) obstruido. <ul style="list-style-type: none"> • Si su dispensador de hielo está equipado con un brazo de corte de hielo, asegúrese de que el brazo se mueve libremente. Si su dispensador de hielo está equipado con un sensor de corte de hielo, asegúrese de que haya un espacio limpio entre los dos sensores.
	El sistema de filtración de agua de osmosis inversa está conectado a su suministro de agua fría. <ul style="list-style-type: none"> • Los sistemas de filtración de osmosis inversa pueden reducir la presión de agua por debajo de la cantidad mínima y provocar problemas en el dispensador de hielo. (Consulte la sección Conectando la Línea de Agua.)
El hielo tiene mal sabor u olor.	El suministro de agua contiene minerales como azufre. <ul style="list-style-type: none"> • Puede ser necesario instalar un filtro de agua para eliminar problemas de sabor y olor. NOTA: En algunos casos, un filtro puede no ayudar. Puede no ser posible remover todo mineral/olor/sabor del suministro de agua.
	El dispensador de hielo fue instalado recientemente. <ul style="list-style-type: none"> • El hielo que ha sido almacenado por mucho tiempo se encogerá, tornará turbio y podrá desarrollar un sabor a viejo. Tire el hielo viejo y haga un nuevo suministro.
	Los alimentos no han sido almacenados apropiadamente en los compartimentos. <ul style="list-style-type: none"> • Empaque nuevamente los alimentos. Los olores pueden migrar hacia el hielo si los alimentos no son empacados apropiadamente.
	El interior del refrigerador debe ser limpiado. <ul style="list-style-type: none"> • Vea la sección de Mantenimiento para mayor información.
	El recipiente de almacenamiento de hielo necesita ser limpiado. <ul style="list-style-type: none"> • Vacíe y lave el recipiente (deseche cubos viejos). Asegúrese de que el recipiente está completamente seco previo a reinstalarlo.
El dispensador de hielo está produciendo demasiado hielo.	Corte del dispensador de hielo (brazo/sensor) está obstruido. <ul style="list-style-type: none"> • Vacíe el recipiente de hielo. Si su dispensador de hielo está equipado con un brazo de corte de hielo, asegúrese de que el brazo se mueve libremente. Si su dispensador de hielo está equipado con el sensor de corte de hielo electrónico, asegúrese de que haya un espacio limpio entre los dos sensores. Reinstale el recipiente de hielo y espere 24 horas para confirmar que opera apropiadamente.

Problemas	Causas posibles y solución
<p>No se está dispensando hielo</p>	<p>¿No escucha el sonido de hielo saliendo?</p> <ul style="list-style-type: none"> En el panel de control, seleccione los modos para cubitos de hielo y hielo picado alternadamente para dispensar el hielo.
	<p>Las puertas no están completamente cerradas.</p> <ul style="list-style-type: none"> El hielo no será dispensado si alguna de las puertas del refrigerador se ha dejado abierta.
	<p>Uso infrecuente del dispensador.</p> <ul style="list-style-type: none"> El uso infrecuente del dispensador de hielo causará que con el tiempo los cubos se peguen unos con otros, lo que prevendrá el dispensado apropiado de los mismos. Revise si hay cubos de hielo aglutinados/pegados unos con otros en el recipiente de hielo. Si los hay, quiebre los cubos de hielo para permitir la operación apropiada.
	<p>El paso de hielo puede bloquearse con escarcha o fragmentos de hielo.</p> <ul style="list-style-type: none"> Remueva la escarcha o fragmentos de hielo retirando el recipiente de hielo y despejando el paso con un utensilio plástico. Dispensar cubos de hielo también puede ayudar a prevenir la formación de escarcha o fragmentos de hielo.
	<p>La pantalla del dispensador está bloqueada.</p> <ul style="list-style-type: none"> Mantenga presionado el botón Lock por tres segundos para desbloquear el panel de control y dispensador.
	<p>El recipiente de hielo está vacío.</p> <ul style="list-style-type: none"> Puede tomar hasta 24 horas para que cada compartimento alcance la temperatura deseada y para que el dispensador de hielo empiece a producir hielo. Asegúrese de que el corte del dispensador (brazo/sensor) no está obstruido. Una vez que el suministro de hielo en el recipiente se ha agotado completamente, puede tomar hasta 90 minutos para que haya hielo adicional disponible y aproximadamente 24 horas para llenar completamente el recipiente de nuevo.
<p>El agua está siendo dispensada lentamente.</p>	<p>El filtro de agua ha sido agotado.</p> <ul style="list-style-type: none"> El reemplazo del filtro de agua se recomienda: Aproximadamente cada seis meses. Cuando se encienda el indicador de filtro de agua. Cuando disminuya la potencia del dispensador de agua. Cuando los cubos de hielo sean más pequeños de lo normal.
	<p>Se está usando el Sistema de Filtración de Osmosis Inversa.</p> <ul style="list-style-type: none"> Los sistemas de filtración de osmosis inversa pueden reducir la presión de agua por debajo de la cantidad mínima y provocar problemas en el dispensador de hielo. Si el problema continúa, puede que sea necesario contactar a un plomero.
	<p>Baja presión de suministro de agua principal.</p> <ul style="list-style-type: none"> La presión del agua debe estar entre los 20 y los 120 psi en modelos sin filtro de agua y entre los 40 y 120 psi en modelos con filtro de agua. Si el problema continúa, puede que sea necesario contactar a un plomero.

Problemas	Causas posibles y solución
No se está dispensando agua	<p>Nueva instalación o línea de agua recientemente conectada.</p> <ul style="list-style-type: none"> • Dispense 2.5 galones de agua (deje correr por aproximadamente 5 minutos) para remover el aire atrapado y los contaminantes del sistema. No dispense los 2.5 galones completos de manera continua. Presione y suelte el botón del dispensador en ciclos de 30 segundos ENCENDIDO y 60 segundos APAGADO.
	<p>El panel del dispensador está bloqueado.</p> <ul style="list-style-type: none"> • Mantenga presionado el botón Lock por tres segundos para desbloquear el panel de control y dispensador.
	<p>El dispensador no está ajustado para dispensar agua.</p> <ul style="list-style-type: none"> • El dispensador puede ser ajustado para hielo o agua. Asegúrese de que el panel de control está ajustado para la operación adecuada. Presione el botón Water en el panel de control para dispensar agua.
	<p>Las puertas del refrigerador o congelador no están cerradas apropiadamente.</p> <ul style="list-style-type: none"> • El agua no será dispensada si alguna de las puertas del refrigerador se ha dejado abierta.
	<p>El filtro de agua ha sido recientemente removido o reemplazado.</p> <ul style="list-style-type: none"> • Luego de reemplazar el filtro de agua, dispense 2.5 galones de agua (deje correr el agua por aproximadamente 5 minutos) para remover el aire atrapado y los contaminantes del sistema. No dispense los 2.5 galones completos de manera continua. Presione y suelte el botón del dispensador en ciclos de 30 segundos ENCENDIDO y 60 segundos APAGADO.
	<p>La tubería que conecta el refrigerador a la válvula de suministro del hogar está retorcida.</p> <ul style="list-style-type: none"> • La tubería puede retorcerse cuando el refrigerador es trasladado durante la instalación o limpieza, resultando en flujo reducido de agua. Enderece o repare la línea de suministro de agua y acomódelo a manera de prevenir futuros dobleces.
	<p>El suministro de agua principal no está conectado, la válvula no está completamente encendida o la válvula está obstruida.</p> <ul style="list-style-type: none"> • Conecte el refrigerador al suministro de agua y abra completamente la válvula de cierre de agua. Si el problema continúa, puede que sea necesario contactar a un plomero.
Dispensando agua caliente.	<p>El refrigerador fue instalado recientemente.</p> <ul style="list-style-type: none"> • Permita que pasen 24 horas luego de la instalación para que el tanque de almacenamiento de agua enfríe completamente.
	<p>El dispensador de agua ha sido usado recientemente y el tanque de almacenamiento se agotó.</p> <ul style="list-style-type: none"> • Dependiendo de su modelo específico, la capacidad de almacenaje de agua será de aproximadamente 20 a 30 oz.
	<p>El dispensador no ha sido usado por varias horas.</p> <ul style="list-style-type: none"> • Si el dispensador no ha sido usado por varias horas, el primer vaso dispensado puede estar tibio. Deseche las primeras 10oz.
	<p>El refrigerador está conectado al suministro de agua caliente.</p> <ul style="list-style-type: none"> • Asegúrese de que el refrigerador esté conectado a una tubería de agua fría. <p>ADVERTENCIA: conectar el refrigerador a una línea de agua caliente puede dañar el dispensador de hielo.</p>

Problemas	Causas posibles y solución
El agua tiene mal sabor u olor.	El suministro de agua contiene minerales como azufre. <ul style="list-style-type: none"> Puede ser necesario instalar un filtro de agua para eliminar problemas de sabor y olor.
	El filtro de agua ha sido agotado. <ul style="list-style-type: none"> El reemplazo del filtro de agua se recomienda: Aproximadamente cada seis meses. Cuando se encienda el indicador de filtro de agua. Cuando disminuya la potencia del dispensador de agua. Cuando los cubos de hielo sean más pequeños de lo normal.
	El refrigerador fue instalado recientemente. <ul style="list-style-type: none"> Dispense 2.5 galones de agua (deje correr por aproximadamente 5 minutos) para remover el aire atrapado y los contaminantes del sistema. No dispense los 2.5 galones completos de manera continua. Presione y suelte el botón del dispensador en ciclos de 30 segundos ENCENDIDO y 60 segundos APAGADO.

Partes y Características

Problemas	Causas posibles y solución
Las puertas no se cierran correctamente o se quedan abiertas.	Paquetes de alimentos están bloqueando la puerta e impiden que se cierre. <ul style="list-style-type: none"> Reorganice los contenedores de alimentos para liberar la puerta y los estantes de la puerta.
	El recipiente de hielo, la tapa del cajón para verduras, las bateas, los estantes, las bandejas de las puertas o las cestas no están en su sitio. <ul style="list-style-type: none"> Empuje correctamente hacia adentro las bandejas, la tapa del cajón para verduras, las bateas, los estantes y las cestas en su posición adecuada. Vea la sección Uso del Refrigerador para mayor información.
	Las puertas se desmontaron durante la instalación del producto y no se volvieron a colocar correctamente. <ul style="list-style-type: none"> Desmunte y vuelva a colocar las puertas siguiendo las instrucciones de la sección Desmontaje y Sustitución de los Agarradores y Puertas del Refrigerador.
	El refrigerador no está correctamente nivelado. <ul style="list-style-type: none"> Vea la sección Alineación de las Puertas en la sección Instalación del Refrigerador para nivelar el refrigerador.
Es difícil abrir las puertas.	Las juntas están sucias o pegajosas. <ul style="list-style-type: none"> Limpie las juntas y las superficies que tocan. Aplique una fina capa de cera para electrodomésticos o cera de cocina en las juntas después de limpiarlas.
	La puerta se acaba de cerrar. <ul style="list-style-type: none"> Cuando abre la puerta, aire más caliente entra al refrigerador. Al enfriarse, puede crear un vacío. Si le cuesta abrir la puerta, espere un minuto para permitir que la presión del aire se equalice y, a continuación, compruebe si se abre con más facilidad.
El refrigerador se tambalea o parece inestable.	Las patas niveladoras no están correctamente ajustadas. <ul style="list-style-type: none"> Consulte la sección Nivelación y Alineación de Puertas.
	El piso no está nivelado. <ul style="list-style-type: none"> Puede ser necesario agregar calibradores debajo de las patas o rodillos de nivelación o para completar la instalación.
Las luces no funcionan.	Falla de iluminación interior LED. <ul style="list-style-type: none"> La lámpara del compartimento del refrigerador es una iluminación interior LED, por lo que el mantenimiento deberá ser realizado por un técnico calificado.

Problemas	Causas posibles y solución
El refrigerador tiene un olor inusual.	<p>El Filtro de Aire puede necesitar ser ajustado a MAX o ser reemplazado.</p> <ul style="list-style-type: none"> • Ajuste el Filtro de Aire a MAX. Si no desaparece el olor dentro de las siguientes 24 horas, el filtro puede necesitar ser reemplazado. Consulte la sección Sustitución del Filtro de Aire para obtener instrucciones acerca del reemplazo.
El interior del refrigerador está cubierto con polvo u hollín.	<p>El refrigerador está ubicado cerca de una fuente de fuego, como una chimenea o candela.</p> <ul style="list-style-type: none"> • Asegúrese de que el refrigerador no se encuentre ubicado cerca de una fuente de fuego, como una chimenea o candela.

Ruidos

Problemas	Causas posibles y solución
Haciendo clic	<p>El control de descongelado hará un “clic” cuando el ciclo de descongelado comience y termine. El control del termostato (o control del refrigerador en algunos modelos) también hará un clic al iniciar o finalizar un ciclo.</p> <ul style="list-style-type: none"> • Funcionamiento normal
Traqueteo	<p>Los ruidos de traqueteo pueden proceder del flujo del refrigerante, de la tubería de agua en la parte posterior de la unidad o de artículos almacenados encima o alrededor del refrigerador.</p> <ul style="list-style-type: none"> • Funcionamiento normal <p>El refrigerador no está sólidamente apoyado en el suelo.</p> <ul style="list-style-type: none"> • El suelo es poco sólido o irregular, o es necesario ajustar las patas de nivelación. Consulte la sección Nivelación y Alineación de las Puertas. <p>El refrigerador con compresor lineal se sacudió mientras estaba funcionando.</p> <ul style="list-style-type: none"> • Funcionamiento normal
Crujido	<p>El motor del ventilador del evaporador está circulando el aire a través de los compartimentos del refrigerador y del congelador.</p> <ul style="list-style-type: none"> • Funcionamiento normal <p>El ventilador del condensador está forzando el paso de aire a través del condensador.</p> <ul style="list-style-type: none"> • Funcionamiento normal
Vibración	<p>El refrigerante está fluyendo a través del sistema de enfriamiento.</p> <ul style="list-style-type: none"> • Funcionamiento normal
Vibración	<p>Contracción y expansión de las paredes internas debido a cambios en la temperatura.</p> <ul style="list-style-type: none"> • Funcionamiento normal
Chisporroteo	<p>El agua cayendo en el calentador de descongelación durante un ciclo de descongelado.</p> <ul style="list-style-type: none"> • Funcionamiento normal
Vibración	<p>Si el lateral o la parte posterior del refrigerador están en contacto con un mueble o una pared, algunas de las vibraciones normales pueden producir un sonido audible.</p> <ul style="list-style-type: none"> • Para eliminar el ruido, asegúrese de que los laterales y la parte posterior no puedan vibrar contra las paredes o los muebles.
Goteo	<p>Agua cayendo en la batea de drenaje durante el ciclo de descongelado.</p> <ul style="list-style-type: none"> • Funcionamiento normal

Problemas	Causas posibles y solución
<p>Sonido de pulsación o agudo</p>	<p>Su refrigerador está diseñado para funcionar de forma más eficiente para conservar los alimentos a la temperatura deseada. El compresor de alta eficiencia puede hacer que su nuevo refrigerador funcione durante más tiempo que su antiguo refrigerador, y aun así será más eficiente energéticamente que los modelos anteriores. Mientras el refrigerador está en funcionamiento, es normal escuchar un sonido de pulsación o agudo.</p> <ul style="list-style-type: none"> • Funcionamiento normal

Wi-Fi

Problemas	Causas posibles y solución
<p>Problemas para conectar el electrodoméstico y el teléfono inteligente a la red Wi-Fi</p>	<p>La contraseña para la red Wi-Fi se introdujo de forma incorrecta.</p> <ul style="list-style-type: none"> • Elimine su red Wi-Fi doméstica y comience el proceso de registro nuevamente. <p>Los Datos Móviles para su teléfono inteligente están activados.</p> <ul style="list-style-type: none"> • Desactive los Datos Móviles en su teléfono inteligente previo a registrar el electrodoméstico. <p>El nombre de la red inalámbrica (SSID) se ha configurado incorrectamente.</p> <ul style="list-style-type: none"> • El nombre de la red inalámbrica (SSID) debe ser una combinación de letras y números. (No utilice símbolos especiales) <p>La frecuencia del enrutador no es de 2.4 GHz.</p> <ul style="list-style-type: none"> • Sólo se admite una frecuencia de enrutador de 2.4 GHz. Configure el enrutador inalámbrico a 2.4 GHz y conecte el electrodoméstico a éste. Para verificar la frecuencia del enrutador, consulte con su proveedor de servicios de internet o con el fabricante del enrutador. <p>La distancia entre el electrodoméstico y el enrutador es muy grande.</p> <ul style="list-style-type: none"> • Si el electrodoméstico se encuentra muy lejos del enrutador, puede que la señal sea débil y que la conexión no sea configurada correctamente. Coloque el enrutador más cerca del electrodoméstico o compre e instale un repetidor Wi-Fi.

GARANTÍA LIMITADA

PARA EE. UU.

TÉRMINOS Y CONDICIONES

AVISO DE ARBITRAJE: ESTA GARANTÍA LIMITADA CONTIENE UNA CLÁUSULA DE ARBITRAJE QUE LE DEMANDA A USTED Y A LG RESOLVER CONFLICTOS A TRAVÉS DE UN ARBITRAJE VINCULANTE EN LUGAR DE HACERLO EN EL TRIBUNAL, A MENOS QUE USTED DECIDA NO PARTICIPAR. EN EL ARBITRAJE NO ESTÁN PERMITIDAS LAS ACCIONES COLECTIVAS NI LOS JUICIOS CON JURADO. POR FAVOR, VEA A CONTINUACIÓN LA SECCIÓN "PROCEDIMIENTO PARA RESOLVER CONFLICTOS".

En caso de que su refrigerador LG ("Producto") presente alguna falla por defectos de materiales o de fabricación bajo uso apropiado y normal durante el período de garantía establecido más abajo, el mismo será reparado o reemplazado por LG Electronics ("LG"), a su opción. Esta garantía limitada es válida únicamente para el comprador final original del producto, y únicamente cuando el producto ha sido comprado y utilizado dentro de los Estados Unidos, incluidos los territorios norteamericanos.

PERÍODO DE GARANTÍA			
Refrigerador/ Congelador	Sistema Sellado (Condensador, Filtro desecante, Tubo Conector y Evaporador)	Compresor	
Un (1) año a partir de la fecha original de compra	Cinco (5) años a partir de la fecha original de compra	Cinco (5) años a partir de la fecha original de compra	Sólo Compresor Lineal / Inversor : Partes sólo para los años 6-10 desde la fecha original de compra. (La mano de obra se le cargará al consumidor)
Piezas y mano de obra (solo piezas internas/ funcionales)	Piezas y mano de obra	Piezas y mano de obra	

- Los productos y las piezas de repuesto están garantizados durante el tiempo restante del período original de garantía o noventa (90) días, lo que resulte mayor.
- Los productos y las piezas de repuesto pueden ser nuevos, reparados, reacondicionados, o reconstruidos por la fábrica.
- Es necesario presentar prueba de la compra minorista especificando el modelo del producto y la fecha de compra para obtener el servicio de garantía bajo esta garantía limitada.

SALVO LO PROHIBIDO POR LA LEY, TODA GARANTÍA DE COMERCIALIZACIÓN O IDONEIDAD IMPLÍCITA, PARA UN PROPÓSITO PARTICULAR EN EL PRODUCTO, ESTÁ LIMITADA A LA DURACIÓN DE LA GARANTÍA ARRIBA EXPRESADA. BAJO NINGUNA CIRCUNSTANCIA DEBERÁ LG O SUS DISTRIBUIDORES/REPRESENTANTES SER RESPONSABLE POR CUALQUIER DAÑO INDIRECTO, INCIDENTAL, CONSECUENTE, ESPECIAL, O PUNITIVO, LO CUAL INCLUYE PERO NO SE LIMITA A, PÉRDIDA DE FONDOS DEL COMERCIO, GANANCIAS PERDIDAS, INTERRUPCIÓN DEL TRABAJO, DETERIORO DE OTROS BIENES, COSTO DE REMOVER Y REINSTALAR EL PRODUCTO, PÉRDIDA DE USO, O CUALQUIER OTRO DAÑO YA SEA BASADO EN CONTRATO, PERJUICIO, U OTROS. LA RESPONSABILIDAD TOTAL DE LG, EN CASO EXISTA, NO EXCEDERÁ EL PRECIO QUE USTED PAGÓ POR ADQUIRIR EL PRODUCTO.

Algunos estados no permiten la exclusión o limitación de daños incidentales o emergentes, o limitaciones a la duración de la garantía implícita, por lo que la exclusión o limitación anteriormente mencionada podrían no corresponder en su caso. Esta garantía limitada le otorga derechos legales específicos y es posible que usted cuente con otros derechos que varían según el estado.

ESTA GARANTÍA LIMITADA NO CUBRE LO SIGUIENTE:

- Viajes del servicio técnico para entregar, buscar o instalar el producto, instruir al cliente sobre la operación del mismo, corregir el cableado o las reparaciones/instalaciones no autorizadas.
- Daño o fallo del producto al operar durante fallas e interrupciones del suministro eléctrico, o resultado de un servicio eléctrico inadecuado.
- Daños o fallas causadas por tuberías de agua rotas o con fugas, tuberías de agua congeladas, líneas de desagüe restringidas, suministro de agua inadecuado o interrumpido, o suministro de aire inadecuado.
- Daños resultantes de operar el producto en una atmósfera corrosiva o contraria a las instrucciones detalladas en el manual del propietario del producto.
- Daños o fallos del producto causados por accidentes, pestes y alimañas, rayos, viento, incendio, inundaciones, hechos de fuerza mayor, o cualquier otra causa fuera del control de LG.
- Daños o fallos causados por modificaciones o alteraciones no autorizadas, o si se usa para otro fin que no sea el previsto.
- Daños o fallos resultantes de mal uso, abuso, instalación, reparación o mantenimiento incorrectos. Una reparación incorrecta incluye el uso de piezas no autorizadas, aprobadas o especificadas por LG. La instalación o el mantenimiento inadecuado incluye aquellos contrarios a lo especificado en el manual del usuario del producto.
- Daños o fallos causados por corriente o voltaje eléctrico incorrecto, o por códigos de fontanería.
- Daños o fallos causados por el transporte y el manejo, incluye rayas, muescas, astillados y/u otros daños al acabado del producto, a menos que tales daños se informen dentro del plazo de una (1) semana de la entrega.
- Daños o artículos faltantes a productos comprados con descuento, con la caja abierta o que hayan estado en exhibición.
- Productos reacondicionados o cualquier producto vendido con los avisos "En el estado actual", "En el sitio actual", "Con todos sus defectos" o similares.
- Productos cuyos números de serie originales hayan sido retirados, alterados o no se puedan determinar fácilmente.
- Aumentos en los costos de los servicios públicos y otros gastos adicionales de dichos servicios.
- Cualquier ruido asociado con la operación normal.
- Uso de accesorios (Ej, filtros de agua, etc.), componentes, o productos de limpieza consumibles que no estén autorizados por LG.
- Reemplazo de focos, filtros o cualquier parte consumible.
- Cuando el producto se use de otra forma que no sea uso doméstico usual y normal (p. ej., uso comercial o industrial, en oficinas e instalaciones recreativas o vehículos) o uso contrario a las instrucciones detalladas en el manual del propietario del producto.
- Costos asociados con el retiro y la reinstalación de su producto para realizar reparaciones.
- Estantes, bandejas de puerta, cajones, manijas y accesorios, a excepción de las partes internas/funcionales cubiertas bajo esta garantía limitada.

El costo de la reparación o el reemplazo en estas circunstancias excluidas estará a cargo del consumidor.

PARA OBTENER SERVICIO EN GARANTÍA E INFORMACIÓN ADICIONAL

Llame al 1-800-243-0000 y seleccione la opción apropiada desde el menú.

O visite nuestro sitio web en <http://www.lg.com>

O por correo: LG Electronics Customer Service P.O. Box 240007 Huntsville, AL 35813 ATTN: CIC

PROCEDIMIENTO PARA RESOLVER CONFLICTOS:

TODOS LOS CONFLICTOS ENTRE USTED Y LG QUE SURJAN FUERA DE O RELACIONADOS DE ALGUNA MANERA CON ESTA GARANTÍA LIMITADA O CON EL PRODUCTO, SE RESOLVERÁN EXCLUSIVAMENTE A TRAVÉS DE UN ARBITRAJE VINCULANTE Y NO EN UNA CORTE DE JURISDICCIÓN GENERAL. ARBITRAJE

VINCULANTE SIGNIFICA QUE USTED Y LG RENUNCIAN AL DERECHO DE UN JUICIO CON JURADO Y A REALIZAR O PARTICIPAR EN UNA DEMANDA COLECTIVA.

Definiciones. Para el propósito de esta sección, las referencias a "LG" significan: LG Electronics U.S.A., Inc., sus empresas matrices, subsidiarias y filiales y cada uno de sus directivos, directores, empleados, agentes, beneficiarios, predecesores en interés, sucesores, cesionarios y proveedores; las referencias a "conflicto" o "reclamación" incluirán cualquier conflicto, reclamo o controversia de cualquier tipo, sin importar (ya sea basado en contrato, agravio, estatuto, regulación, ordenanza, fraude, falsa representación o cualquier teoría legal o equitativa) que surja de o esté relacionada con cualquier forma de venta, condición o desempeño del producto o de esta Garantía Limitada.

Aviso de disputa. En caso de que usted desee iniciar un procedimiento de arbitraje, primero debe notificar a LG por escrito al menos 30 días antes de iniciar el arbitraje enviando una carta a LG a LG Electronics, USA, Inc. Atención: Legal Department- Arbitration 1000 Sylvan Ave, Englewood Cliffs 07632. Usted y LG aceptan participar en discusiones de buena fe en un intento de resolver su reclamo de manera amistosa. En la carta debe proporcionar su nombre, dirección y número de teléfono; identificar el producto que es objeto de la reclamación; y describir la naturaleza del reclamo y el remedio que busca. Si usted y LG no pueden resolver la disputa dentro de 30 días, cualquiera de las partes puede proceder a presentar una demanda de arbitraje.

Acuerdo de arbitraje vinculante y renuncia de demanda colectiva. En caso de no resolver la disputa durante el período de 30 días después de enviar una notificación por escrito a LG, Usted y LG se comprometen a resolver cualquier reclamo entre nosotros, solamente a través de arbitraje vinculante sobre una base individual, a menos que usted se excluya, conforme a lo dispuesto a continuación. Cualquier conflicto entre usted y LG no estarán combinados o consolidados con una controversia relacionada con cualquier otro producto o reclamo de otra persona o entidad. Más específicamente y sin perjuicio de lo anterior, no procederá bajo ninguna circunstancia cualquier disputa entre usted y LG como parte de una acción colectiva o representativa. En lugar del arbitraje, cualquiera de las partes podrá iniciar una acción individual en la corte de reclamos menores, pero tales acciones en la corte de reclamos menores no podrán ser realizadas en una acción colectiva o representativa.

Normas y procedimientos de arbitraje. Para comenzar con el arbitraje de un reclamo, usted o LG deben realizar una demanda escrita para arbitraje. El arbitraje será administrado por la Asociación Americana de Arbitraje (AAA) y se llevará a cabo ante un árbitro único bajo las Normas de Arbitraje del Consumidor de la AAA, que tienen efecto al momento de inicio del arbitraje (en adelante "Normas de la AAA") y bajo los procedimientos establecidos en esta sección. Las Normas de la AAA están disponibles en línea en www.adr.org/consumer. Envíe una copia de su solicitud de arbitraje por escrito, así como una copia de esta disposición, a la AAA de la forma descrita en las Normas de la AAA. También debe enviar una copia de su solicitud por escrito a LG en LG Electronics, USA, Inc. Atención: Legal Department- Arbitration 1000 Sylvan Ave, Englewood Cliffs 07632. Si hay un conflicto entre las Normas de la AAA y las reglas establecidas en esta sección, prevalecerán dichas reglas de esta sección. Esta disposición de arbitraje se rige por la Ley Federal de Arbitraje. El juicio se puede introducir en el laudo arbitral en cualquier tribunal de jurisdicción competente. Todos son temas para que el árbitro tome sus decisiones, excepto aquellos asuntos relativos al alcance y aplicabilidad de la cláusula de arbitraje y de la capacidad de arbitraje de la controversia para que el tribunal decida. El árbitro se regirá por los términos de esta disposición.

Legislación vigente. La legislación del estado de su residencia regirá esta Garantía Limitada, así como todas las disputas entre nosotros, salvo que sea invalidada o inconsistente con leyes federales aplicables.

Tarifas / Costos. Usted no debe pagar ninguna tarifa para comenzar un arbitraje. Al recibir su solicitud de arbitraje por escrito, LG pagará todos los gastos administrativos rápidamente a la AAA, a menos que usted solicite más de \$25,000.00 por daños, en cuyo caso el pago de estos gastos se regirá por las Normas de la AAA. Salvo disposición contraria prevista en el presente documento, LG pagará a la AAA todos los gastos documentales, administrativos y de arbitraje para cualquier arbitraje iniciado, de conformidad con las Normas de la AAA y esta disposición de arbitraje. Si usted prevalece en el arbitraje, LG pagará los honorarios y gastos de sus abogados, siempre y cuando sean razonables, considerando factores que incluyen, entre otros, el monto de la compra y el monto del reclamo. No obstante lo anterior, si la ley aplicable permite una adjudicación de honorarios y gastos razonables de abogados, un árbitro puede otorgarlos en la misma medida que lo haría un tribunal. Si el árbitro considera que la sustancia de su reclamo o la reparación solicitada en la demanda es frívola o se utiliza para un propósito inadecuado (calificado según las normas establecidas en la Norma Federal de Procedimiento Civil 11 (b)), el pago de todos los honorarios de arbitraje se regirá por las Normas de la AAA. En tal situación usted se compromete a reembolsar a LG todos los fondos erogados previamente por ella, cuyo pago es, por otra parte, su

obligación, según las Normas de la AAA. Salvo disposición contraria, LG renuncia a cualquier derecho que pudiera tener para solicitarle los honorarios y gastos de sus abogados, si LG prevalece en el arbitraje.

Audiencias y ubicación. Si su reclamo es por \$25,000 o menos, usted puede optar que el arbitraje sea realizado únicamente sobre la base de: (1) documentos presentados al árbitro, (2) a través de una audiencia telefónica o (3) por una audiencia en persona, según lo establecido por las Normas de la AAA. Si su reclamo excede \$25,000, el derecho a una audiencia estará determinado por las Normas de la AAA. Cualquier audiencia de arbitraje en persona se realizará en un lugar dentro del distrito judicial federal en el cual resida, a menos que ambos acuerden otra ubicación o estemos de acuerdo con el arbitraje telefónico.

Exclusión. Usted puede quedarse fuera de este procedimiento de resolución de la disputa. Si se excluye, ni usted ni LG pueden solicitar al otro que participe en un procedimiento de arbitraje. Para excluirse usted debe enviar una notificación a LG, en un lapso de hasta 30 días continuos, contados a partir de la fecha de la primera compra del consumidor del producto, ya sea por: (i) el envío de un correo electrónico a optout@lge.com con el siguiente Asunto: "Exclusión del arbitraje" o (ii) llamada al 1-800-980-2973. Debe incluir en el correo electrónico de exclusión o suministrar por teléfono: (a) su nombre y dirección; (b) la fecha en la cual el producto fue comprado; (c) el nombre o el número del modelo del producto; y (d) el número del serial (el número del serial puede ser hallado (i) en el producto, o (ii) en la dirección de <https://www.lg.com/us/support/repair-service/schedule-repair-continued> al hacer clic en "Find My Model & Serial Number").

Sólo puede excluirse del procedimiento de resolución de conflictos en la forma descrita anteriormente (es decir, por correo electrónico o por teléfono); ninguna otra forma de notificación será efectiva para hacerlo. Excluirse de este procedimiento de resolución de controversias no afectará de ninguna manera la cobertura de la Garantía Limitada, por lo que usted continuará disfrutando de todos sus beneficios. Si conserva este producto y no se excluye, usted acepta todos los términos y condiciones de la cláusula de arbitraje descrita anteriormente.

PARA CANADÁ

TÉRMINOS Y CONDICIONES

Si su Refrigerador LG ("Producto") falla debido a defectos en los materiales o en la mano de obra bajo condiciones normales y apropiadas de uso, durante el período de garantía expresado a continuación, LG Electronics Canadá, Inc. ("LGECI") llevará a cabo, a su criterio, la reparación o el reemplazo del producto una vez se haya presentado el recibo original de compra. Esta garantía limitada es válida únicamente para el comprador original del producto y aplica únicamente a productos distribuidos, comprados y utilizados en Canadá, según lo determinado a discreción de LGECI.

PERÍODO DE GARANTÍA (Nota: Si la fecha original de compra no pudiera ser verificada, la vigencia de la garantía comenzará sesenta (60) días a partir de la fecha de manufactura)			
Refrigerador	Sistema Sellado (Condensador, Filtro desecante, Tubo Conector y Evaporador)		Compresor Lineal / Inversor
Un (1) año a partir de la fecha original de compra	Un (1) año a partir de la fecha original de compra	Siete (7) años a partir de la fecha original de compra	Diez (10) años a partir de la fecha original de compra
Piezas y mano de obra (solo piezas internas/funcionales)	Piezas y mano de obra	Solo piezas (Se le cobrará mano de obra al consumidor)	Solo piezas (Se le cobrará mano de obra al consumidor)

- Los productos y las piezas de repuesto están garantizados durante el tiempo restante del período original de garantía o noventa (90) días, lo que resulte mayor.
- Los productos y las piezas de repuesto pueden ser nuevos, reacondicionados, renovados, o refabricados, todo esto a discreción de LGECI.
- A manera de obtener el servicio de garantía bajo esta Garantía Limitada, se requiere prueba de la compra original del producto especificando el modelo del mismo y la fecha de compra.

LA RESPONSABILIDAD EXCLUSIVA DE LGECI SE LIMITA A LA GARANTÍA LIMITADA ARRIBA EXPRESADA. SALVO LO EXPRESAMENTE PROVISTO MÁS ARRIBA, LGECI NO OTORGA Y POR LA PRESENTE NIEGA TODA OTRA GARANTÍA O CONDICIÓN RESPECTO AL PRODUCTO, EXPRESA O IMPLÍCITA, INCLUYENDO A TÍTULO ENUNCIATIVO MÁS NO LIMITATIVO CUALQUIER GARANTÍA O CONDICIÓN DE COMERCIABILIDAD, O APTITUD PARA UN FIN PARTICULAR; Y NINGUNA DECLARACIÓN SERÁ VINCULANTE PARA LGECI. LGECI NO AUTORIZA A NINGUNA PERSONA A CREAR O ASUMIR EN SU NOMBRE CUALQUIER OTRA OBLIGACIÓN DE GARANTÍA EN RELACIÓN CON EL PRODUCTO. EN LA MEDIDA EN QUE TODA GARANTÍA O CONDICIÓN ES IMPLÍCITA DE ACUERDO A LA LEY, ÉSTA SE LIMITA AL PERÍODO DE GARANTÍA EXPRESADO PREVIAMENTE. BAJO NINGUNA CIRCUNSTANCIA SERÁ LGECI, EL FABRICANTE, O DISTRIBUIDOR, RESPONSABLE POR DAÑOS INCIDENTALES, CONSECUENTES, ESPECIALES, DIRECTOS O INDIRECTOS, DAÑOS PUNITIVOS O EJEMPLARES, INCLUYENDO, SIN LIMITARSE A, PÉRDIDA DE USO O CUALQUIER OTRO DAÑO, YA SEA QUE SURJA DIRECTA O INDIRECTAMENTE DE CUALQUIER INCUMPLIMIENTO CONTRACTUAL, FUNDAMENTAL, PERJUICIO, O POR CUALQUIER ACCIÓN U OMISIÓN. TODA RESPONSABILIDAD DE LGECI, EN CASO EXISTIR, NO DEBERÁ EXCEDER EL PRECIO QUE USTED HAYA PAGADO POR EL PRODUCTO.

Esta Garantía Limitada le otorga derechos legales específicos. Usted podría contar con otros derechos, que pueden variar de provincia a provincia, dependiendo de las leyes provinciales aplicables. Todo término incluido en esta Garantía Limitada que niegue o modifique cualquier condición o garantía implícita sujeto a la ley provincial es divisible y separable cuando entre en conflicto con la ley provincial sin afectar el resto de los términos de esta garantía.

ESTA GARANTÍA LIMITADA NO CUBRE LO SIGUIENTE:

- Viajes del servicio técnico para i) entregar, buscar, instalar o; educar al cliente sobre la operación del Producto; ii) corrección de cableado o fontanería; ó iii) corrección de reparaciones/instalaciones no autorizadas en el Producto;

- Daños o fallos en el funcionamiento del Producto debido a fallas e interrupciones del suministro eléctrico o a un servicio eléctrico inadecuado;
- Daños o fallos causados por tuberías de agua rotas o con fugas, tuberías de agua congeladas, líneas de desagüe restringidas, suministro de agua inadecuado o interrumpido, o suministro de aire inadecuado;
- Daños o fallos resultantes de operar el producto en una atmósfera corrosiva o contraria a las instrucciones detalladas en el manual del propietario del Producto;
- Daños o fallas del Producto causados por accidentes, pestes y alimañas, rayos, viento, incendio, inundaciones, hechos de fuerza mayor, o por cualquier otra causa fuera del control de LGECI o del fabricante;
- Daño o fallo causado por el mal uso, abuso, instalación, reparación o mantenimiento inapropiados del Producto. La reparación inapropiada incluye la utilización de piezas no autorizadas o especificadas por LGECI. El mantenimiento o la instalación inapropiada incluye todo aquel llevado a cabo de forma contraria a lo expresado en el manual del propietario del Producto;
- Daño o fallo causado por la modificación o alteración no autorizada del Producto, o si se ha utilizado para otro propósito/uso que no fuera el doméstico previsto, o daños o fallos provocados por cualquier pérdida de agua ocasionada por una instalación inapropiada del Producto;
- Daño o fallo causado por corriente eléctrica o voltaje incorrectos, o códigos de cañería;
- Daño o fallo causado por un uso distinto al normal hogareño, incluyendo, sin limitación, el uso comercial o industrial, incluyendo aquel en oficinas comerciales o instalaciones de recreación, o contrario a las instrucciones incluidas en el manual del propietario del Producto.
- Daño o fallo causado por el uso de cualquier accesorio, componente o producto de limpieza no aprobado/autorizado por LGECI, incluyendo, sin limitarse a, filtros de agua;
- Reemplazo del cartucho del filtro de agua debido a, presión del agua fuera del rango de operación especificado o, a cantidades excesivas de sedimento en el suministro de agua;
- Daño o fallo causado por el transporte y el manejo, incluye rayas, muescas, astillado y otros daños al acabado del Producto, a menos que tales daños resulten de defectos de materiales o de fabricación, y se informe a LGECI dentro del plazo de una (1) semana de la entrega del Producto.
- Daño o elementos faltantes de cualquier producto de exposición, caja abierta, restaurado o de descuento;
- Producto restaurado o vendido como "En el estado actual", "En el sitio actual", "Con todos sus defectos", o con cualquier aviso similar;
- Productos con números de serie originales que hayan sido removidos, alterados o que no pueden ser fácilmente determinados a discreción de LGECI;
- Aumentos en los costos de los servicios públicos y otros gastos adicionales relacionados de cualquier manera con el Producto;
- Cualquier ruido asociado con la operación normal del Producto;
- Reemplazo de bombillas, filtros, fusibles o cualquier otra parte consumible;
- Reemplazo de cualquier parte que no haya sido incluida originalmente con el Producto;
- Gastos relacionados con la retirada y/o reinstalación del Producto para reparación; y
- Estantes, bandejas de puerta, cajones, manijas y accesorios del Producto, a excepción de las partes internas/funcionales cubiertas bajo esta Garantía Limitada.
- Se proveerá cobertura para reparaciones "en casa" a aquellos productos con garantía que se encuentren dentro de un radio de 150 km desde el centro de servicio autorizado (ASC) más cercano, según ha sido determinado por LG Canada. Si su Producto se encuentra ubicado fuera del radio de 150 km a partir del ASC, según ha sido determinado por LG Canada, será su responsabilidad llevar el Producto, y cubrir los gastos que esto implique, al ASC para una reparación bajo garantía en dicho centro.

Todos los costos y gastos asociados con las circunstancias de exclusión mencionadas anteriormente, listadas bajo el título, Esta Garantía Limitada No Cubre, serán abonados por el consumidor.

PARA OBTENER SERVICIO DE GARANTÍA E INFORMACIÓN ADICIONAL, POR FAVOR LLAME O VISITE NUESTRO SITIO WEB:

Comuníquese al 1-888-542-2623 (7 A.M. a 12 A.M., 365 días al año) y seleccione la opción apropiada del menú, o visite nuestro sitio web en <http://www.lg.com>



LG

Life's Good



MANUEL DU PROPRIÉTAIRE

RÉFRIGÉRATEUR À PORTE À DEUX BATTANTS

Veillez lire attentivement le présent manuel de l'utilisateur avant de faire fonctionner l'appareil et conservez-le à portée de la main pour le consulter en tout temps.

TABLE DES MATIÈRES

3 CONSIGNES DE SÉCURITÉ

- 3 LISEZ TOUTES LES CONSIGNES AVANT L'UTILISATION
- 3 AVERTISSEMENTS
- 6 MISES EN GARDE

8 APERÇU DU PRODUIT

- 8 Caractéristiques du produit

12 INSTALLATION

- 12 Avant l'installation
- 13 Choix de l'emplacement adéquat
- 15 Retrait et assemblage des poignées
- 16 Retrait et assemblage des portes et des tiroirs
- 21 Raccordement de la conduite d'eau
- 24 Nivellement et alignement de la porte
- 25 Mise en marche

26 FONCTIONNEMENT

- 26 Avant l'utilisation
- 27 Panneau de commande
- 29 Mode Sabbat
- 29 Machine à glaçons automatique et distributeur d'eau
- 30 Compartiment à glaçons
- 31 Machine à glaçons automatique
- 33 Stockage des aliments
- 35 Bacs à humidité contrôlée pour fruits et légumes
- 36 Tiroir Glide N' Serve
- 37 Tablettes du réfrigérateur
- 37 Porte dans la porte
- 39 Bacs de la porte
- 39 Durabase

41 FONCTIONS INTELLIGENTES

- 41 Application LG ThinQ
- 43 Fonction Smart Grid
- 45 Fonctionnalité Smart Diagnosis^{MC}

46 ENTRETIEN

- 46 Nettoyage
- 47 Filtre à air
- 47 Water Filter (filtre à eau)

52 DÉPANNAGE

- 52 FAQ
- 53 Avant d'appeler le réparateur

63 GARANTIE LIMITÉE

- 63 POUR ÉTATS-UNIS
- 65 POUR CANADA

CONSIGNES DE SÉCURITÉ

LISEZ TOUTES LES CONSIGNES AVANT L'UTILISATION

Messages de sécurité

Il est très important d'assurer votre sécurité et celle des autres.

Nous fournissons de nombreux conseils de sécurité importants dans ce manuel et sur votre appareil. Lisez toujours l'ensemble des messages de sécurité et respectez-les.



Ceci est le symbole d'alerte de sécurité.

Ce symbole vous alerte de dangers potentiels qui peuvent causer la mort ou des blessures. Tous les messages de sécurité seront précédés du symbole d'alerte de sécurité et du terme AVERTISSEMENT ou MISE EN GARDE.

Voici le message que ces mots véhiculent :



AVERTISSEMENTS

Vous pouvez être tué ou grièvement blessé si vous ne suivez pas les consignes.



MISES EN GARDE

Vous pouvez être légèrement blessé ou pouvez endommager le produit si vous ne suivez pas les consignes.

Tous les messages de sécurité vous indiqueront quel est le danger potentiel, comment réduire les risques de blessures et ce qui peut se produire en cas de non-respect des consignes.

AVERTISSEMENTS

AVERTISSEMENT

- Pour réduire les risques d'explosion, d'incendie, de mort, de décharge électrique, de brûlure ou de blessures lors de l'utilisation de l'appareil, prenez les précautions élémentaires, y compris les suivantes :

Installation

- Pour réduire le risque de blessures, veuillez suivre toutes les procédures de sécurité recommandées par l'industrie, ce qui inclut le port de lunettes de sécurité et de longs gants.
- N'essayez jamais d'utiliser cet appareil s'il est endommagé, défectueux ou partiellement désassemblé, s'il manque des pièces ou si des pièces, incluant le câble et la fiche, sont endommagées.
- Branchez seulement cet appareil sur une prise électrique mise à la terre dont la valeur nominale convient à celui-ci (115 V, 60 Hz, c.a. uniquement). L'utilisateur est responsable du remplacement de la prise de courant murale standard à deux broches par une prise de courant murale standard à trois broches.
- N'utilisez pas une prise de courant qui peut être mise hors fonction à l'aide d'un interrupteur. N'utilisez pas de rallonge.
- L'appareil doit être placé de façon à ce que la source d'alimentation soit facilement accessible.
- Lorsque vous déplacez l'appareil, soyez prudent et évitez d'écraser le cordon d'alimentation ou de l'endommager.
- Communiquez avec un centre de services autorisé lorsque vous installez l'appareil ou que vous le remplacez à un nouvel endroit.
- Ne coupez ni n'enlevez jamais la broche de mise à la terre du câble d'alimentation.

4 CONSIGNES DE SÉCURITÉ

- Gardez le matériel d'emballage hors de portée des enfants. Le matériel d'emballage pose un danger pour les enfants. Il y a un risque de suffocation.
- N'installez pas l'appareil dans un endroit humide ou poussiéreux, où les matériaux isolants qui se trouvent sur les composants électriques pourraient se détériorer.
- N'exposez pas l'appareil directement à la lumière du soleil ou à la chaleur produite par des appareils comme un four ou un appareil de chauffage.
- Ne pliez pas ou ne pincez pas le cordon d'alimentation de façon excessive; ne placez pas d'objets lourds sur celui-ci.

Fonctionnement

- Cet appareil est conçu pour être utilisé à des fins domestiques et à d'autres fins de ce type, par exemple :
 - dans le coin cuisine du personnel de magasins, de bureaux et d'autres environnements de travail;
 - dans les fermes et par les clients des hôtels, des motels et d'autres environnements de type résidentiel;
 - dans des environnements comme les gîtes;
 - pour des applications dans le domaine de la restauration et de la vente en gros.
- L'appareil n'est pas conçu pour être utilisé à des fins spéciales, comme l'entreposage de médicaments ou de matériel d'essai, ni pour être utilisé sur des bateaux, etc.
- NE permettez PAS aux enfants de grimper ou de se tenir sur les portes de l'appareil ou les tablettes à l'intérieur de celui-ci, ni de s'accrocher à ces mêmes portes et tablettes. Ils pourraient endommager le réfrigérateur et se blesser sérieusement.
- Ne permettez pas aux enfants de grimper à l'intérieur de l'appareil. Ils pourraient demeurer coincés et suffoquer.
- La surveillance des enfants est requise afin de s'assurer qu'ils ne jouent pas avec l'appareil.
- Gardez vos doigts à distance des zones de coincement; les dégagements entre les portes et les armoires sont inévitablement réduits. Soyez prudent lorsque vous fermez les portes de l'appareil et que des enfants se trouvent à proximité de celui-ci.
- Ne touchez pas les aliments surgelés ou les composants métalliques du congélateur si vos mains sont mouillées ou humides. Cela pourrait entraîner des gelures.
- Ne recongelez pas des aliments surgelés qui ont été complètement décongelés. Cela pourrait être dangereux pour la santé.
- N'utilisez pas de fiche d'adaptation et ne branchez pas la fiche d'alimentation électrique sur une rallonge électrique à prises multiples.
- Si le cordon d'alimentation électrique est endommagé, il doit être remplacé par le fabricant ou par son agent de service ou encore une personne qualifiée possédant ce type de compétences pour éviter un risque.
- Ne faites pas fonctionner le réfrigérateur et ne touchez pas le cordon d'alimentation si vos mains sont mouillées.
- Ne modifiez et ne prolongez pas le cordon d'alimentation.
- N'utilisez pas une prise de courant non homologuée. Ne branchez pas l'appareil sur une prise de courant murale si celle-ci est endommagée.
- Ne placez pas vos pieds ou vos mains, ou encore des objets dans les événements d'aération ou au bas du réfrigérateur. Cela pourrait causer des blessures ou provoquer une décharge électrique.
- En cas de fuite de gaz (propane, GPL), assurez-vous que les lieux sont bien ventilés et contactez un centre de services autorisé avant de remettre l'appareil en fonction. Ne touchez pas l'appareil ou son cordon d'alimentation.
- Si un bruit étrange, une odeur particulière ou de la fumée provient de l'appareil, débranchez le cordon d'alimentation sur-le-champ et contactez un centre de services autorisé.
- N'utilisez pas de fusible (comme du cuivre, un fil d'acier), à l'exception d'un fusible standard.

- Ne placez pas et n'utilisez pas d'appareil électrique à l'intérieur du réfrigérateur, sauf s'il s'agit d'un type d'appareil recommandé par le fabricant.
- Ne placez pas d'animaux à l'intérieur de l'appareil.
- Ne placez pas d'objets lourds ou fragiles, de contenants remplis de liquide, de produits combustibles ou d'objets inflammables (comme des bougies et des lampes) sur l'appareil.
- Évitez tout contact avec les pièces mobiles du mécanisme d'éjection ou avec l'élément chauffant qui libère les cubes de glace.
- En cas de branchement sur un circuit protégé par des fusibles, utilisez un fusible temporisé.
- Maintenez libres de toute obstruction les ouvertures de ventilation qui se trouvent dans l'enceinte de l'appareil ou dans la structure intégrée.
- N'utilisez pas de dispositifs mécaniques ou d'autres moyens pour accélérer le processus de dégivrage autres que ceux recommandés par le fabricant.
- N'utilisez pas d'appareils électriques à l'intérieur des compartiments pour nourriture de l'appareil, sauf s'ils sont du type recommandé par le fabricant.
- Ne rangez pas de substances explosives telles que des aérosols avec un gaz propulseur inflammable dans cet appareil.
- NE placez PAS vos doigts dans la machine à glaçons automatique lorsque le réfrigérateur est branché.
- Lorsque le distributeur produit des glaçons, n'utilisez pas de contenant fragile pour les recueillir.

Entretien

- N'utilisez pas de séchoir à cheveux pour sécher l'intérieur de l'appareil.
- N'allumez pas de bougie pour dissiper les odeurs à l'intérieur de l'appareil.
- Si une fuite de frigorigène survient, éloignez les objets inflammables de l'appareil. Assurez-vous que les lieux sont bien ventilés et contactez un centre de services autorisé.
- Éloignez du réfrigérateur toutes les matières et vapeurs inflammables comme l'essence.
- Cet appareil n'est pas destiné à être utilisé par des personnes (y compris des enfants) dont les capacités physiques, mentales ou sensorielles sont réduites, ou qui n'ont pas l'expérience ou les connaissances pour le faire, à moins d'avoir reçu des instructions et d'avoir été supervisées par une personne responsable de leur sécurité.
- Débranchez l'appareil de la fiche d'alimentation avant de le nettoyer ou de le réparer.
- L'éclairage à l'intérieur du réfrigérateur et du congélateur est un éclairage à DEL, et son entretien doit être réalisé par un technicien qualifié.
- Débranchez l'appareil de la fiche d'alimentation immédiatement si une panne de courant ou un orage survient.
- Éteignez l'alimentation de l'appareil si de l'eau ou de la poussière pénètre à l'intérieur de celui-ci. Appelez un agent du centre de services.
- Ne placez pas de contenants en verre ni de boissons gazeuses dans le congélateur. Le contenu liquide peut prendre de l'expansion lorsqu'il est congelé, endommager le contenant et causer des blessures.
- N'entreposez pas, ne démontez pas et ne réparez pas l'appareil vous-même, et ne laissez pas un employé non qualifié le faire.

Mise au rebut

- Les appareils abandonnés sont dangereux, même si cette situation ne dure que quelques jours. Lorsque vous voulez mettre l'appareil au rebut, retirez les matériaux d'emballage des portes ou retirez les portes en laissant les tablettes en place afin que les enfants ne puissent pas grimper facilement à l'intérieur de l'appareil.
- Si vous souhaitez mettre le réfrigérateur au rebut, assurez-vous que le frigorigène et la mousse isolante ont été retirés et seront éliminés de façon adéquate par un centre de services autorisé. Si vous êtes

6 CONSIGNES DE SÉCURITÉ

responsable d'une fuite de frigorigène ou jetez la mousse isolante, vous pourriez être passible d'une amende ou d'un emprisonnement en vertu des lois environnementales applicables. La mousse isolante contient des gaz agissant comme agents de gonflement.

- Lorsque vous mettez l'appareil au rebut, retirez le joint d'étanchéité de la porte en laissant les tablettes et les paniers en place, et tenez les enfants à l'écart de l'appareil.

Instructions de mise à la terre

- La connexion incorrecte du conducteur pour relier les appareils à la terre peut créer un risque de décharge électrique. Vérifiez avec un électricien compétent ou un personnel de service si vous n'êtes pas certain que l'appareil est correctement mis à la terre. Ne modifiez pas la fiche fournie avec l'appareil; si elle ne rentre pas dans la prise, faites installer une prise appropriée par un électricien compétent.
- Assurez-vous qu'un électricien qualifié examine la prise de courant murale et le câblage, et qu'il confirme que la mise à la terre est adéquate.
- Ne débranchez jamais l'appareil en tirant sur le cordon d'alimentation. Tenez toujours la fiche fermement pour la retirer de la prise. Le non-respect de cette consigne peut endommager le cordon d'alimentation, ce qui peut causer un incendie ou entraîner une décharge électrique.

Risque d'incendie et matériaux inflammables



Cet appareil contient une petite quantité de réfrigérant isobutane (R600a); qui est combustible. Lors du transport et de l'installation de l'appareil, veillez à ce qu'aucune partie du circuit frigorifique ne soit endommagée. En cas de fuite du réfrigérant, celui-ci pourrait s'enflammer ou provoquer une blessure aux yeux. Si une fuite est détectée, éloignez les flammes nues ou les sources potentielles d'inflammation et aérez la pièce dans laquelle l'appareil se trouve pendant plusieurs minutes.

Afin d'éviter la formation d'un mélange d'air et de gaz inflammable en cas de fuite dans le circuit frigorifique, la taille de la pièce dans laquelle l'appareil est utilisé est déterminée selon la quantité de réfrigérant utilisée. La pièce doit avoir une taille de 10,8 pi (1 m) pour chaque 8 g de réfrigérant R600a dans l'appareil. La quantité de réfrigérant qui se trouve dans votre appareil est indiquée sur la plaque d'identification située à l'intérieur de celui-ci. Ne mettez jamais en marche un appareil qui présente des signes de dommages. En cas de doute, consultez votre revendeur.

MISES EN GARDE

MISE EN GARDE

- Pour réduire les risques de blessures mineures, de pannes ou de dommages causés à l'appareil ou à la propriété lors de l'utilisation de l'appareil, prenez les précautions élémentaires, y compris les suivantes :
-

Installation

- N'installez pas l'appareil à un endroit à partir duquel il risque de tomber.
- L'appareil doit être installé correctement, conformément aux instructions d'installation.

Fonctionnement

- N'utilisez pas d'aérosols à proximité de l'appareil.
- L'appareil est conçu pour être utilisé seulement à des fins domestiques et à d'autres fins de ce type.
- N'appliquez pas une force excessive et ne frappez pas sur toute surface de verre. Ne touchez pas les surfaces de verre si elles sont fissurées ou endommagées.

- Ne placez pas trop d'articles ou des articles trop rapprochés les uns des autres dans les balconnets. Cela pourrait endommager les balconnets ou causer des blessures aux utilisateurs si les articles sont retirés des balconnets avec force.
- N'accrochez pas et ne placez pas d'objets lourds sur le distributeur de l'appareil.

Entretien

- N'utilisez pas de puissants détergents comme de la cire ou des diluants pour nettoyer l'appareil. Nettoyez-le à l'aide d'un linge doux.
- Retirez les corps étrangers (comme la poussière et l'eau) des zones de contact et des broches de la fiche d'alimentation. N'utilisez pas de linge mouillé ou humide pour nettoyer la fiche.
- Ne vaporisez pas d'eau directement sur les surfaces intérieures ou extérieures de l'appareil.
- Ne nettoyez pas les tablettes ou les couvercles en verre avec de l'eau chaude lorsqu'ils sont froids. Une exposition à un changement brusque de température peut les endommager.

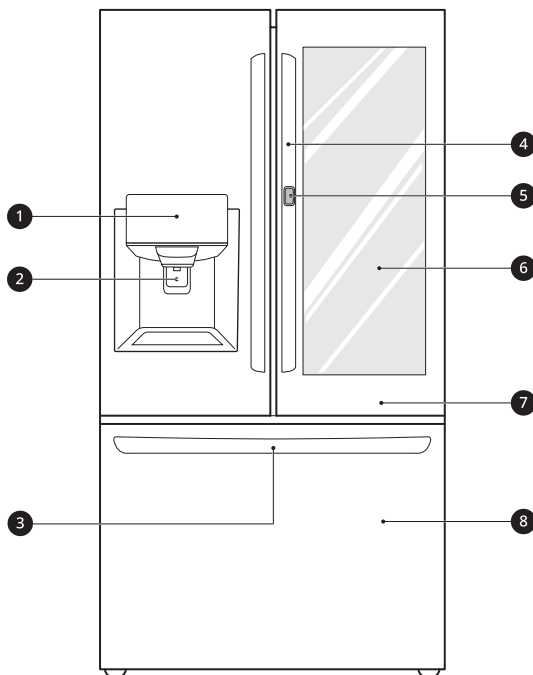
GARDEZ CES CONSIGNES

APERÇU DU PRODUIT

Caractéristiques du produit

Les illustrations contenues dans ce manuel peuvent être différentes des composants et accessoires réels, et ceux-ci peuvent être modifiés sans préavis par le fabricant dans le but d'améliorer le produit.

Extérieur



❶ Panneau de commande

Permet de régler la température à l'intérieur du réfrigérateur et du congélateur, l'état du filtre à eau et le mode du distributeur.

❷ Distributeur d'eau filtrée et de glaçons

Distribue de l'eau purifiée et des glaçons.

❸ Poignée **SmartPull**^{MC}

Facilite l'ouverture du tiroir du congélateur.

❹ Poignée

Permet d'ouvrir et de fermer les portes du réfrigérateur.

❺ Bouton de la porte[†]

Permet d'ouvrir le compartiment Porte dans la porte.

❻ Porte dans la porte avec technologie InstaView[†]

La Porte dans la porte dotée de la technologie InstaView permet un accès facile aux aliments couramment utilisés.

❼ Réfrigérateur

Conserve les aliments frais.

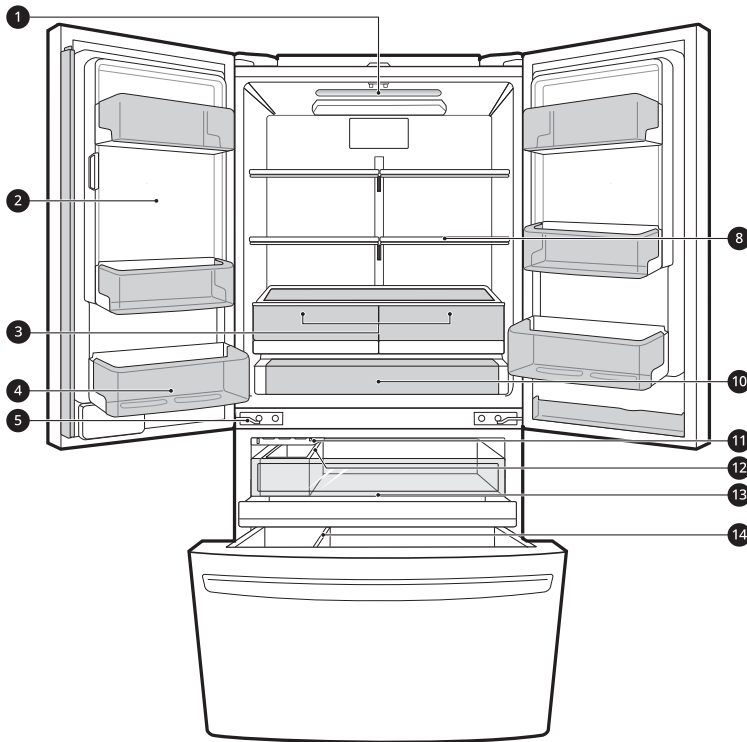
❽ Congélateur

Conserve les aliments surgelés.

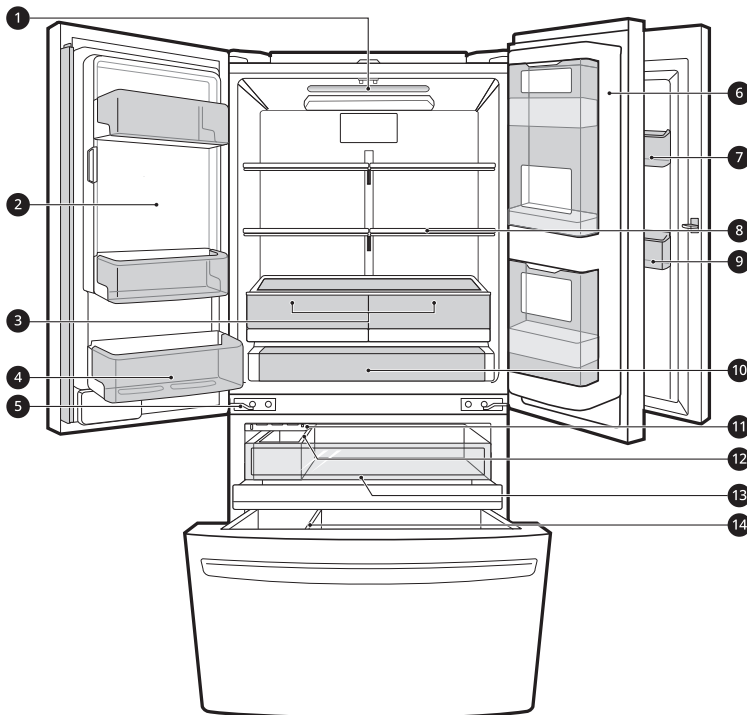
[†] Cette fonctionnalité est offerte sur certains modèles seulement.

Intérieur

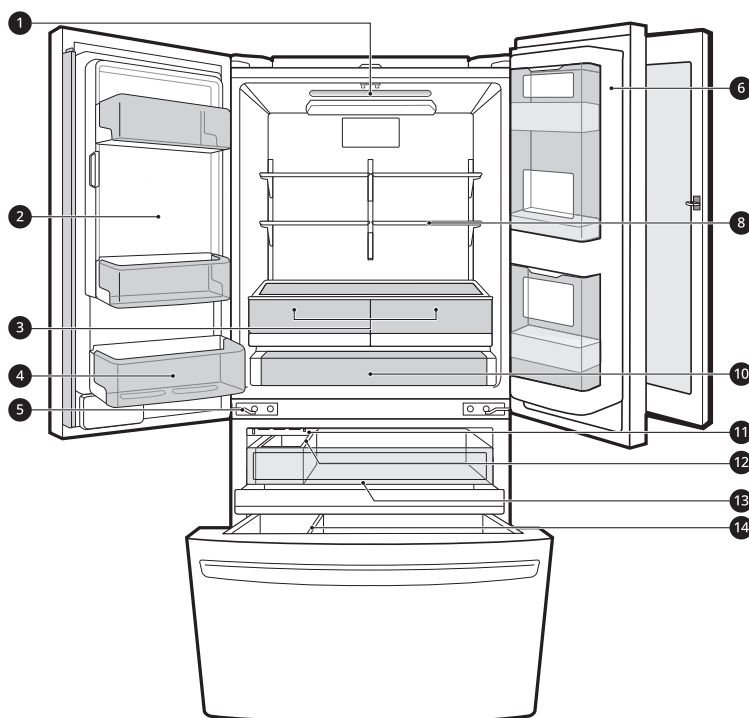
Porte standard : LRFXC2406*/LRFXC2416*



Porte dans la porte : LRFDS3006*/LRFDS3016*/LRFDC2406*



Porte dans la porte avec technologie InstaView : LRFVS3006*/LRFVC2406*



❶ Éclairage intérieur à DEL

Éclaire l'intérieur du réfrigérateur.

❷ Machine à glaçons dans la porte (réfrigérateur)

C'est à cet endroit que la glace est produite et stockée automatiquement.

❸ Bac à humidité contrôlée pour fruits et légumes

Aide à conserver la fraîcheur des fruits et des légumes et contrôle le taux d'humidité.

❹ Balconnet fixe

Permet de conserver les boissons et les aliments froids.

❺ Charnière à fermeture automatique

Les portes du réfrigérateur et le tiroir du congélateur se ferment automatiquement à l'aide d'une légère poussée. (Les portes se ferment automatiquement seulement lorsqu'elles sont ouvertes à un angle de moins de 30°.)

❻ Compartiment Porte dans la porte

Zone de rangement pratique qui facilite l'accès aux articles fréquemment utilisés.

❼ Balconnets pour le fromage, le beurre et les condiments

Les balconnets pour le fromage, le beurre et les condiments sont conçus spécialement pour conserver ces aliments, ce qui fait en sorte que le beurre s'étend plus aisément et qu'il est plus facile de couper le fromage.

❽ Tablette ajustable

Les tablettes du réfrigérateur sont ajustables pour répondre à tout type de besoins en matière de rangement.

9 Balconnet ajustable

Les balconnets interchangeables peuvent être placés de façon à répondre aux besoins en matière de rangement.

10 Tiroir Glide N' Serve

Permet de conserver les aliments à une température qui n'est pas la même que celle des autres sections du réfrigérateur.

11 Machine à glaçons automatique (congélateur)

Distribue automatiquement de la glace.

12 Bac à glaçons

La glace est automatiquement produite par la machine à glaçons dans le congélateur et stockée dans le bac à glaçons également situé dans le congélateur.

13 Tiroir gigogne

Offre de l'espace de rangement supplémentaire à l'intérieur du congélateur.

14 Durabase et diviseur Durabase

Permet de ranger les articles de grande dimension.

Caractéristiques du produit

L'aspect et les caractéristiques énumérés dans le présent manuel peuvent varier en raison des constantes améliorations apportées au produit.

Exigences électriques : 115 V, 60 Hz

Pression de l'eau min./max. : 20 à 120 psi (138 à 827 kPa)

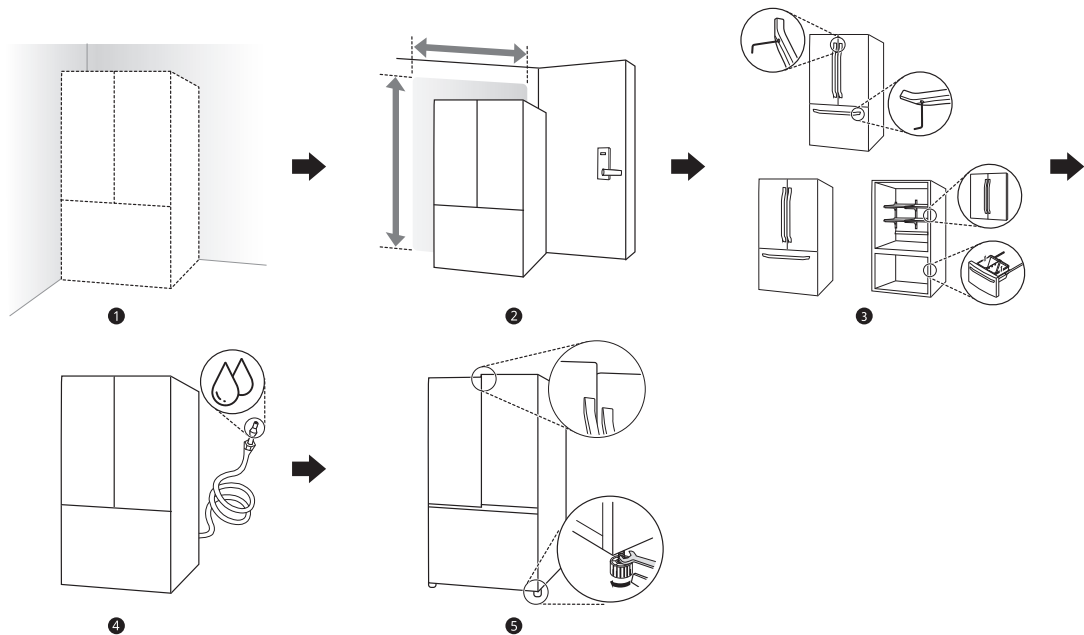
Modèle	Description	Poids net
LRFDS3006*	Réfrigérateur à porte à deux battants de profondeur normale avec système Porte dans la porte, avec congélateur inférieur	331 lb (150 kg)
LRFDS3016*	Réfrigérateur à porte à deux battants de profondeur normale avec système Porte dans la porte, avec congélateur inférieur, Craft Ice	331 lb (150 kg)
LRFVS3006*	Réfrigérateur à porte à deux battants de profondeur normale avec système Porte dans la porte et technologie InstaView, avec congélateur inférieur, Craft Ice	342 lb (155 kg)
LRFXC2406*	Réfrigérateur à porte à deux battants de profondeur de comptoir, avec congélateur inférieur	276 lb (125 kg)
LRFXC2416*	Réfrigérateur à porte à deux battants de profondeur de comptoir, avec congélateur inférieur, Craft Ice	276 lb (125 kg)
LRFDC2406*	Réfrigérateur à porte à deux battants de profondeur normale avec système Porte dans la porte, avec congélateur inférieur, Craft Ice	300 lb (136 kg)
LRFVC2406*	Réfrigérateur à porte à deux battants de profondeur de comptoir avec système Porte dans la porte et technologie InstaView, avec congélateur inférieur, Craft Ice	311 lb (141 kg)

INSTALLATION

Avant l'installation

Aperçu de l'installation

Veillez d'abord lire ces instructions d'installation après l'achat de ce produit ou son déplacement dans un autre lieu.



- ❶ Déballage du réfrigérateur
- ❷ Choix de l'emplacement adéquat
- ❸ Retrait et assemblage
- ❹ Raccordement de la conduite d'eau
- ❺ Nivellement et alignement de la porte

⚠ AVERTISSEMENT

- Branchez l'appareil à une source d'eau potable seulement.

Déballage du réfrigérateur

⚠ AVERTISSEMENT

- Au moins deux personnes sont nécessaires pour déplacer et installer le réfrigérateur. Le non-respect de cette consigne pourrait entraîner des blessures, notamment au dos.
- Le réfrigérateur est lourd. Protégez le plancher lors du déplacement du réfrigérateur pour le nettoyage ou l'entretien. Déplacez toujours votre réfrigérateur en position verticale. Ne remuez pas le réfrigérateur et ne le déplacez pas en l'appuyant sur ses coins, car cela pourrait endommager le plancher.
- Éloignez du réfrigérateur toutes les matières et vapeurs inflammables comme l'essence. Le non-respect de cette consigne peut provoquer un incendie, une explosion ou la mort.

REMARQUE

- Retirez le ruban adhésif et les étiquettes temporaires de votre réfrigérateur avant l'utilisation. N'enlevez pas les étiquettes d'avertissement, l'étiquette du numéro de modèle et de série ou la fiche technique qui se trouve sous l'avant du réfrigérateur.
- Pour supprimer des résidus de ruban adhésif ou de colle, frottez vigoureusement la surface avec le pouce. Les résidus de ruban adhésif ou de colle peuvent également être enlevés en frottant une petite quantité de savon à vaisselle liquide sur l'adhésif avec les doigts. Essuyez avec de l'eau chaude, puis séchez.
- N'utilisez pas d'instruments tranchants, d'alcool à friction, de liquides inflammables ou de nettoyeurs abrasifs pour enlever du ruban adhésif ou de la colle. Ces produits peuvent endommager la surface de votre réfrigérateur.
- Réinstallez ou ajustez les étagères à votre guise. Les étagères des réfrigérateurs sont installées de façon à faciliter le transport. Réinstallez les étagères selon vos besoins de rangement.

Choix de l'emplacement adéquat

Eau

Vous devez choisir un endroit où l'alimentation en eau peut être raccordée à la machine à glaçons automatique.

REMARQUE

- La pression d'eau doit être comprise entre 20 et 120 psi, entre 138 et 827 kPa ou entre 1,4 et 8,4 kgf/cm². Si le réfrigérateur est installé à un endroit où la pression d'eau est faible (inférieure à 20 psi, 138 kPa ou 1,4 kgf/cm²), vous pouvez installer une pompe d'appoint pour compenser cette faible pression.

Électricité

Le réfrigérateur doit être branché sur sa propre prise de courant mise à la terre, dont la valeur nominale est d'au moins 115 volts, de 60 Hz c.a. et de 15 ampères.

⚠ AVERTISSEMENT

- En branchant d'autres électroménagers sur la prise électrique du réfrigérateur, vous risquez de surcharger les circuits électriques et de provoquer un incendie.
- Pour réduire le risque de choc électrique, ne pas installer le réfrigérateur dans un endroit mouillé ou humide.

Plancher

Pour éviter le bruit et les vibrations, l'appareil doit être installé et mis à niveau sur un plancher stable. Au besoin, ajustez les pieds de nivellement pour compenser les inégalités du sol.

REMARQUE

- L'installation sur des tapis, des surfaces molles, une plate-forme ou une structure faiblement soutenue n'est pas conseillée.

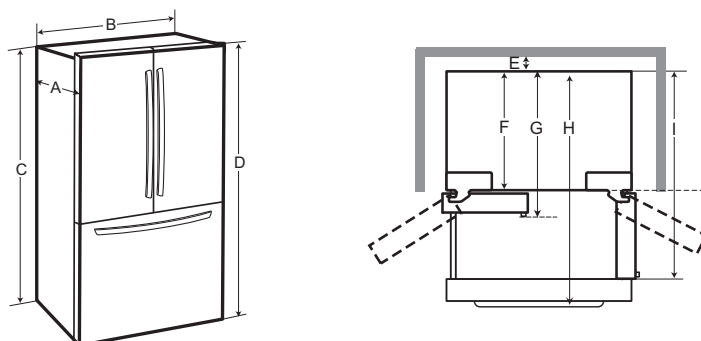
Température ambiante

Installez cet appareil dans un endroit où la température est comprise entre 13 °C (55 °F) et 43 °C (110 °F).

Si la température autour de l'appareil est trop basse ou trop élevée, la capacité de refroidissement peut être affectée.

Dimensions et dégagements

- Vérifiez les dimensions de l'appareil et celles des ouvertures et des portes par lesquelles il passera lors de son installation afin de vous assurer qu'il y a suffisamment d'espace pour le déplacer.
- Si une ouverture est trop étroite pour laisser passer le réfrigérateur, retirez les portes. Lisez la section Retrait et assemblage des portes et des tiroirs de ce manuel.
- L'endroit choisi pour installer le réfrigérateur doit offrir assez d'espace derrière celui-ci pour assurer une ventilation et des branchements adéquats, et suffisamment d'espace à l'avant pour ouvrir les portes et tiroirs.
- Si l'appareil est installé trop près des éléments adjacents, cela peut réduire la capacité de congélation et augmenter la consommation d'électricité. Laissez au moins 610 mm (24 pouces) à l'avant du réfrigérateur pour ouvrir les portes et au moins 50,8 mm (2 pouces) entre l'arrière du réfrigérateur et le mur.



-	Dimensions/dégagements	LRFVS3006*/LRFDS3006*/ LRFDS3016*	LRFVC2406*/ LRFXC2406*/ LRFXC2416*/ LRFDC2406*
A	Profondeur sans la poignée	34 1/8 po (866 mm)	28 1/4 po (718 mm)
B	Largeur	35 3/4 po (908 mm)	35 3/4 po (908 mm)
C	Hauteur jusqu'au-dessus de la caisse	68 7/8 po (1750 mm)	68 7/8 po (1750 mm)
D	Hauteur jusqu'au-dessus de la charnière	70 1/4 po (1785 mm)	70 1/4 po (1785 mm)
E	Espace libre à l'arrière	2 po (50 mm)	2 po (50 mm)
F	Profondeur sans la porte	29 7/8 po (758 mm)	24 po (610 mm)
G	Profondeur avec la poignée	36 5/8 po (929 mm)	30 3/4 po (781 mm)
H	Profondeur (au total, avec le tiroir du congélateur ouvert)	57 23/32 po (1466 mm)	47 1/4 po (1200 mm)
I	Profondeur (au total, avec la porte ouverte à 90°)	42 5/8 po (1231 mm)	42 5/8 po (1083 mm)

Retrait et assemblage des poignées

Si vous devez faire passer le réfrigérateur par une ouverture étroite, il est recommandé de retirer les portes.

L'apparence réelle des poignées peut varier.

⚠ AVERTISSEMENT

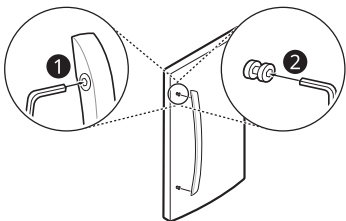
- Lors de l'assemblage ou du retrait des poignées, tenez la poignée fermement pour éviter qu'elle ne tombe.
- Ne lancez pas la poignée vers des personnes ou des animaux à proximité.
- Assurez-vous que le trou de la plaque de la poignée est correctement aligné sur l'axe de butée de la porte. Serrez les vis pour installer la poignée.
- Une fois la poignée fixée, assurez-vous qu'il n'y a pas d'écart entre la porte et la poignée.

Outils nécessaires

- Clé Allen de 3/32 po
- Clé Allen de 1/8 po
- Clé Allen de 1/4 po

Retrait des poignées du réfrigérateur

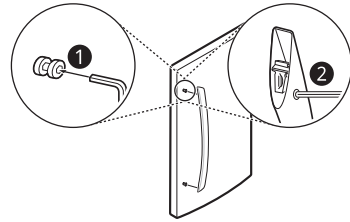
- 1 Desserrez les vis ❶ à l'aide d'une clé Allen de 3/32 po, puis retirez la poignée.
- 2 Desserrez les fixations de montage ❷ qui se vissent à la porte et à la poignée du réfrigérateur à l'aide d'une clé Allen de 1/4 po, puis retirez les fixations de montage.



Assemblage des poignées du réfrigérateur

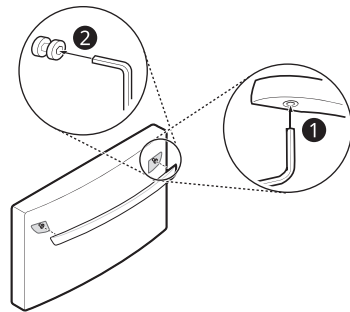
- 1 Assemblez les fixations de montage ❶ aux deux extrémités de la poignée à l'aide d'une clé Allen de 1/4 po.

- 2 Placez la poignée sur la porte en l'installant sur les fixations et en serrant les vis ❷ avec une clé Allen de 3/32 po.



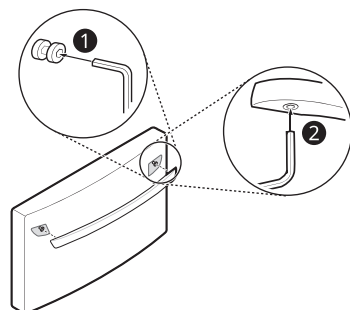
Retrait de la poignée du tiroir du congélateur

- 1 Desserrez les vis de pression ❶ situées au bas de la poignée à l'aide d'une clé Allen de 1/8 po, puis retirez la poignée.
- 2 Desserrez les fixations de montage ❷ à l'aide d'une clé Allen de 1/4 po, puis retirez-les.



Assemblage de la poignée du tiroir du congélateur

- 1 Assemblez les fixations de montage ❶ aux deux extrémités de la poignée à l'aide d'une clé Allen de 1/4 po.
- 2 Placez la poignée sur la porte en l'installant sur les fixations et en serrant les vis ❷ avec une clé Allen de 1/8 po.



Retrait et assemblage des portes et des tiroirs

Si votre porte d'entrée est trop étroite pour permettre le passage du réfrigérateur, retirez les portes du réfrigérateur et déplacez le réfrigérateur latéralement à travers la porte.

⚠ AVERTISSEMENT

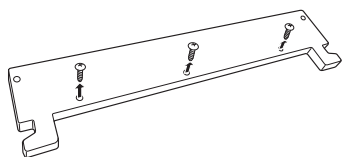
- Au moins deux personnes sont nécessaires pour installer ou retirer les portes du réfrigérateur et le tiroir du congélateur.
- Débranchez l'alimentation électrique du réfrigérateur avant l'installation.
- Ne placez pas vos mains, vos pieds ou des objets dans les événements d'aération ou au bas du réfrigérateur.
- Soyez prudent en manipulant la charnière et le butoir afin d'éviter toute blessure.
- Sortez les aliments et les clayettes avant de démonter les portes et les tiroirs.
- Si vous retirez ou remplacez les portes ou le tiroir, ne les tenez pas par la poignée, car celle-ci pourrait se détacher.

Outils nécessaires

- Clé Allen de 3/32 po
- Clé Allen de 1/8 po
- Clé Allen de 1/4 po

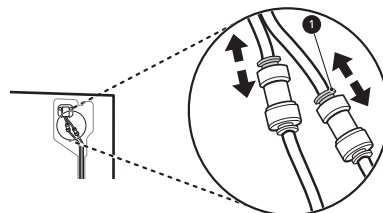
Retrait du couvercle de charnière

Retirez les vis du couvercle de la charnière en haut du réfrigérateur. Soulevez le crochet (non visible), situé sur la partie inférieure du côté avant du couvercle, à l'aide d'un tournevis à tête plate.



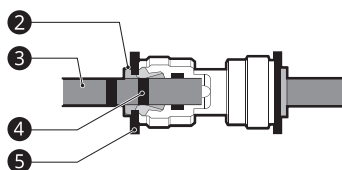
Retrait de la porte gauche du réfrigérateur

- 1 La prise d'eau est reliée à la partie supérieure droite de la surface arrière du réfrigérateur. Enlevez l'attache de la zone de raccordement. Tenez la prise d'eau et appuyez doucement sur le collet ❶ pour débrancher la conduite d'alimentation comme illustré.



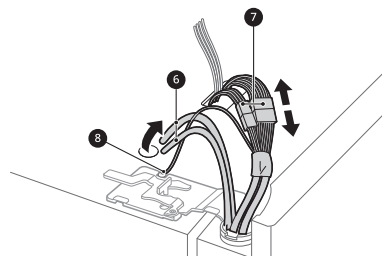
REMARQUE

- Démontage et raccordement de la conduite d'eau



❷ Collet ❸ Tube ❹ Ligne d'insertion ❺ Attache

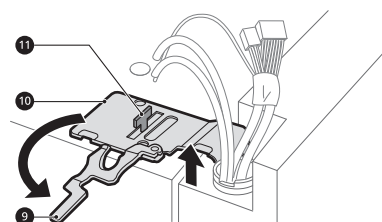
- 2 Retirez la conduite d'alimentation en eau ❹. Débranchez tous les faisceaux électriques ❺. Dévissez le fil de masse ❻.



- 3 Faites pivoter le levier de la charnière ❸ dans le sens anti-horaire. Soulevez la charnière supérieure ❹ et retirez-la du loquet du levier de la charnière ❺.

⚠ MISE EN GARDE

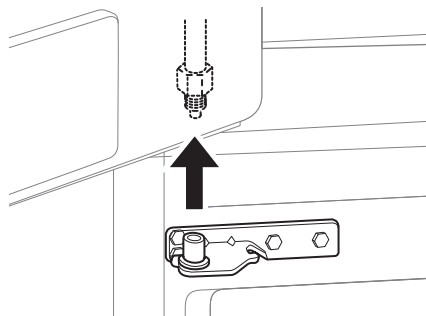
- Au moment de soulever la charnière pour la dégager, veillez à ce que la porte ne tombe pas vers l'avant.



- 4 Soulevez la porte de l'axe de la charnière centrale et retirez-la.

⚠ MISE EN GARDE

- Placez la porte, avec l'intérieur orienté vers le haut, sur une surface lisse.

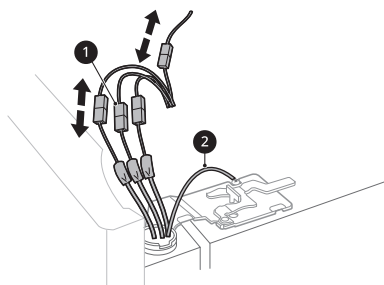


Retrait de la porte droite du réfrigérateur

- 1 Débranchez tous les faisceaux électriques ①. Dévissez le fil de mise à la terre ②.

REMARQUE

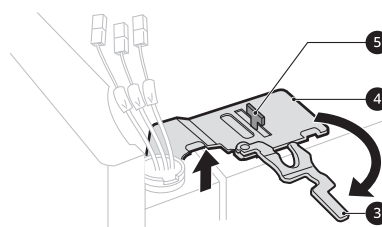
- Le nombre de faisceaux électriques peut varier selon le modèle.
- Le fil de mise à la terre est présent seulement sur certains modèles.



- 2 Faites pivoter le levier de la charnière ③ dans le sens horaire. Soulevez la charnière supérieure ④ et retirez-la du loquet du levier de la charnière ⑤.

⚠ MISE EN GARDE

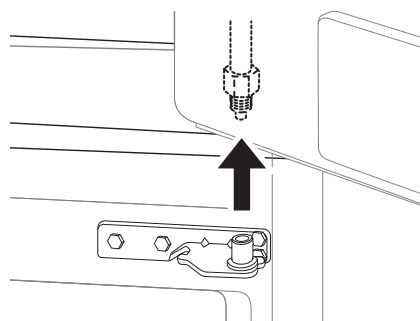
- Au moment de soulever la charnière pour la dégager, veillez à ce que la porte ne tombe pas vers l'avant.



- 3 Soulevez la porte de l'axe de la charnière centrale et retirez-la.

⚠ MISE EN GARDE

- Placez la porte, avec l'intérieur orienté vers le haut, sur une surface lisse.



Retrait des tiroirs du congélateur

Par souci de clarté, le tiroir amovible situé au-dessus du tiroir du congélateur ne figure pas sur les illustrations.

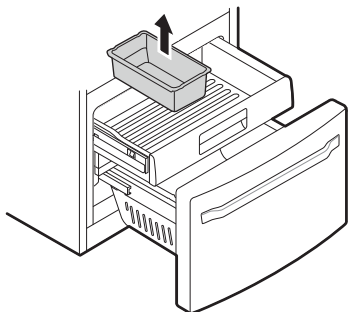
⚠ AVERTISSEMENT

- Au moins deux personnes sont nécessaires pour installer ou retirer les portes du réfrigérateur et le tiroir du congélateur.
- Faites attention aux charnières pointues sur les deux côtés du tiroir.
- Lorsque vous posez le tiroir par terre, veillez à ne pas endommager le plancher.
- Ne montez pas sur le tiroir et ne vous y asseyez pas.
- Afin d'empêcher les accidents, maintenez les enfants et les animaux domestiques loin du tiroir. Ne laissez pas le tiroir ouvert. Si le bac de rangement Durabase® est retiré du tiroir du congélateur, il y a suffisamment d'espace à l'intérieur pour qu'un petit enfant ou un animal domestique puisse y pénétrer.

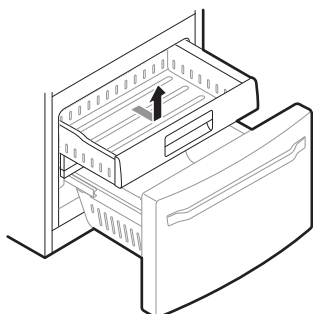
- 1 Tirez le tiroir jusqu'à son extension complète.

18 INSTALLATION

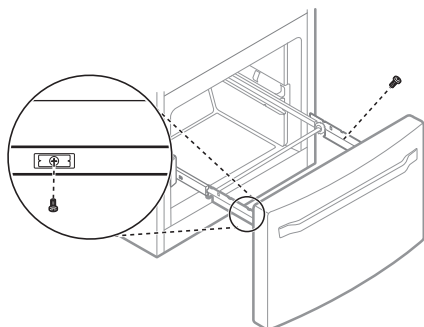
- 2** Soulevez et tirez délicatement le bac à glaçons pour le retirer.



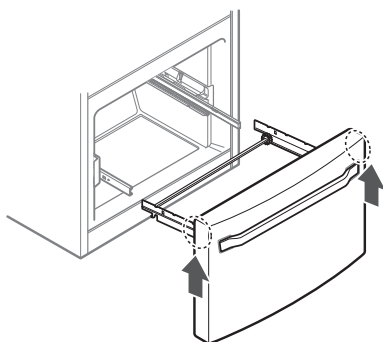
- 3** Soulevez l'avant du tiroir, puis tirez-le.



- 4** Enlevez les vis des rails aux deux extrémités.



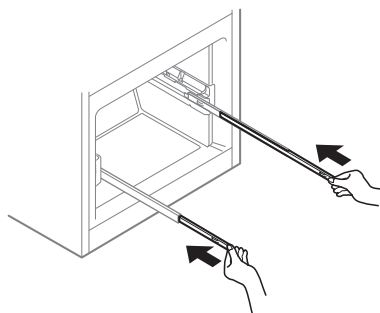
- 5** Saisissez les deux côtés du tiroir et tirez-le pour le retirer des rails.



⚠ MISE EN GARDE

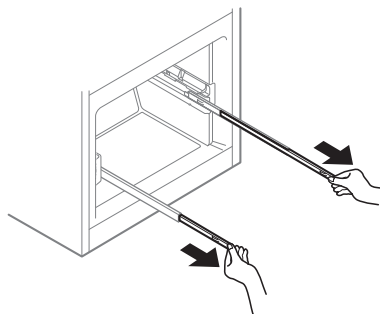
- Ne tenez pas la poignée lorsque vous enlevez ou remplacez le tiroir. Celle-ci pourrait se détacher et provoquer de graves blessures.

- 6** Saisissez un rail dans chaque main et poussez-les simultanément.

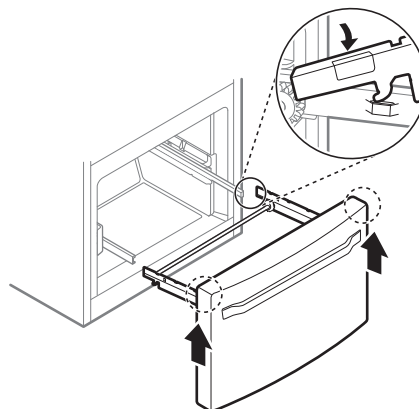


Montage du tiroir du congélateur

- 1** Tirez les deux rails simultanément jusqu'à extension complète.



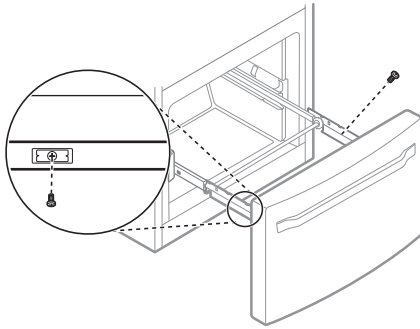
- 2** Saisissez le tiroir de chaque côté et accrochez les supports du tiroir sur les onglets des rails situés sur les deux côtés.



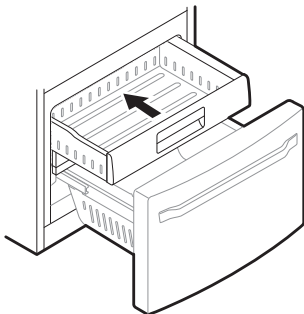
⚠ MISE EN GARDE

- Ne tenez pas la poignée lorsque vous enlevez ou remplacez le tiroir. Celle-ci pourrait se détacher et provoquer de graves blessures.

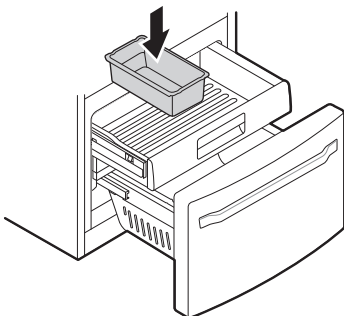
- 3** Abaissez la porte dans sa position finale et insérez les vis dans le rail situé des deux côtés.



- 4** Insérez le tiroir dans le cadre et poussez le tiroir jusqu'à ce que vous entendiez un clic.



- 5** Remplacez le bac à glaçons dans le tiroir. Insérez le panier Durabase dans le rail monté.

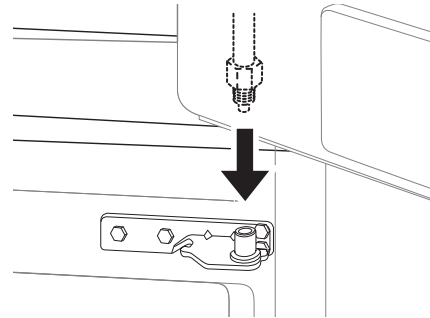


Installation de la porte droite du réfrigérateur

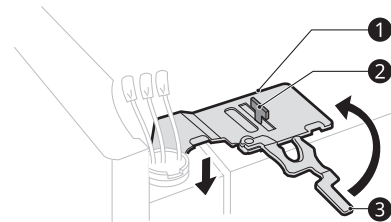
⚠ MISE EN GARDE

- Installez d'abord la porte droite.

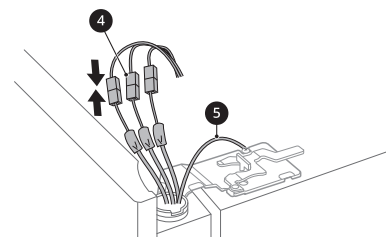
- 1** Assurez-vous que le manchon en plastique est inséré dans la partie inférieure de la porte. Abaissez la porte dans la goupille de la charnière centrale, comme sur l'illustration.



- 2** Fixez la charnière ① sur le verrou à levier de la charnière ② et insérez-la. Faites pivoter le levier ③ dans le sens anti-horaire pour fixer la charnière.



- 3** Branchez tous les faisceaux électriques ④. Vissez le fil de mise à la terre ⑤.



REMARQUE

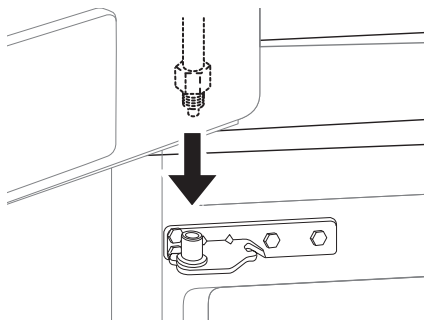
- Le nombre de faisceaux électriques peut varier selon le modèle.
- Le fil de mise à la terre est présent seulement sur certains modèles.

Installation de la porte gauche du réfrigérateur

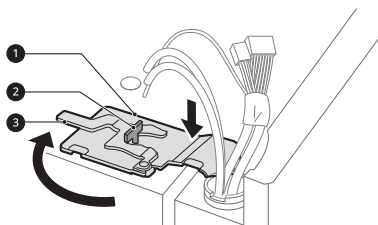
⚠ MISE EN GARDE

- Installez la porte gauche du réfrigérateur après avoir installé la porte droite.

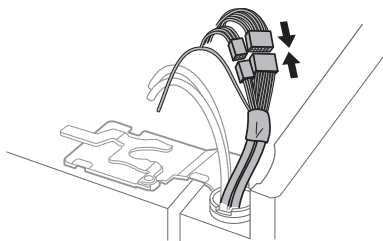
- 1 Assurez-vous que le manchon en plastique est inséré dans la partie inférieure de la porte. Installez la porte du réfrigérateur dans la charnière centrale.



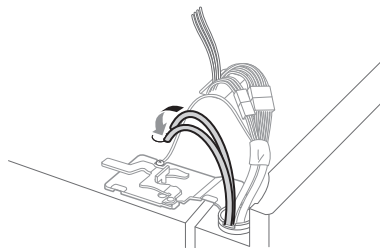
- 2 Fixez la charnière ① sur le verrou à levier de la charnière ② et insérez-la. Faites pivoter le levier ③ dans le sens horaire pour fixer la charnière.



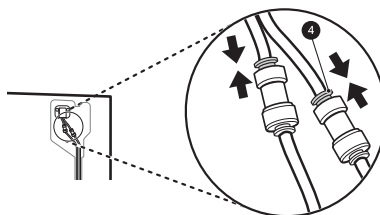
- 3 Branchez tous les faisceaux électriques et la vis de mise à la terre.



- 4 Insérez le tuyau d'alimentation en eau dans le trou du casier supérieur et faites-le passer à travers la plaque arrière.

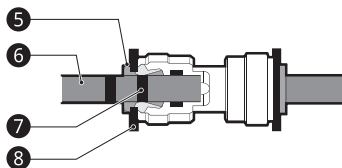


- 5 Tenez la prise d'eau et appuyez doucement sur le collet ④ pour raccorder la conduite d'alimentation, tel qu'illustré. Insérez le tuyau à une profondeur d'au moins 15 mm (5/8 po) dans le connecteur. Installez l'attache sur le raccord pour maintenir le tuyau en place.

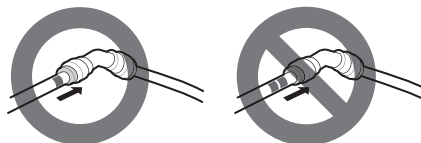


REMARQUE

- Démontage et raccordement de la conduite d'eau

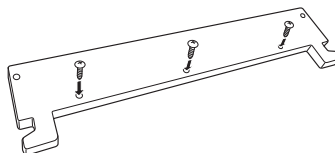


- Appuyez doucement sur le collet et insérez le tuyau jusqu'à ce qu'une seule ligne apparaisse sur celui-ci.



Assemblage du couvercle de charnière

- Mettez le couvercle de charnière en place. Insérez et serrez les vis du couvercle.



Raccordement de la conduite d'eau

Avant de commencer

L'installation de la conduite d'eau n'est pas couverte par la garantie du réfrigérateur. Suivez attentivement ces instructions afin de minimiser les risques de dégâts d'eau coûteux.

Au besoin, faites appel à un plombier qualifié pour éliminer les coups de bélier avant de raccorder la conduite d'alimentation d'eau au réfrigérateur. L'eau cognant dans les tuyaux ou les coups de bélier dans la plomberie résidentielle peuvent causer des dommages aux pièces de votre réfrigérateur et provoquer des fuites ou des inondations.

- Éteignez la machine à glaçons si vous comptez utiliser le réfrigérateur avant d'avoir raccordé la conduite d'alimentation en eau.
- N'installez pas les tuyaux de la machine à glaçons dans des zones où la température descend au-dessous de zéro.

⚠ AVERTISSEMENT

- Branchez l'appareil à une source d'eau potable seulement.

⚠ MISE EN GARDE

- Pour éviter les brûlures et tout dommage à l'appareil, raccordez uniquement la conduite d'eau du réfrigérateur à une source d'eau froide.
- Portez des lunettes de protection pendant l'installation pour éviter les blessures.

Pression de l'eau

Une alimentation en eau froide est nécessaire.

Pression de l'eau

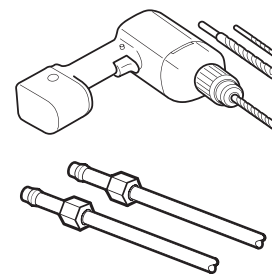
- **Modèles équipés d'un filtre à eau:**
 - entre 20 et 120 psi (entre 138 et 827 kPa)
- **Si un système de filtration d'eau par osmose inverse est connecté à l'alimentation en eau froide:**
 - entre 40 et 60 psi au minimum pour un système par osmose inverse (entre 2,8 kgf/cm² et 4,2 kgf/cm², ou moins de 2 à 3 secondes pour remplir un récipient d'environ 7 oz)

Si la pression de l'eau du système par osmose inverse est inférieure à 20 psi, 138 kPa ou 1,4 kgf/cm² (c'est-à-dire s'il faut plus de 4 secondes pour remplir une tasse d'une capacité de 7 oz ou de 198 cc):

- Vérifiez si le filtre à sédiments dans le système d'osmose inverse est bloqué. Remplacez le filtre si nécessaire.
- Laissez le réservoir sur le système par osmose inverse se remplir de nouveau après une utilisation intensive.
- Si la pression de l'eau demeure faible, appelez un plombier agréé et qualifié.
- Toutes les installations doivent être conformes aux exigences du code de plomberie en vigueur.

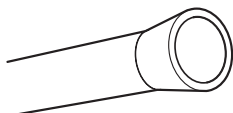
Matériel nécessaire

- **Tuyaux en cuivre ou en XLPE** de ¼ po de diamètre extérieur, pour relier le réfrigérateur à la prise d'eau. Assurez-vous que les deux extrémités des tuyaux sont coupées au carré. Pour déterminer la longueur de tuyau dont vous avez besoin, mesurez la distance entre la vanne d'eau à l'arrière du réfrigérateur et le tuyau d'alimentation en eau. Ensuite, ajoutez 2,4 m (8 pieds). Assurez-vous que vous disposez d'un tuyau suffisamment long (environ 2,4 m [8 pieds] enroulés en 3 tours d'environ 25 cm [10 po] de diamètre) pour permettre au réfrigérateur d'être retiré du mur après l'installation.
- **Perceuse électrique.**
- **Clé à molette ou clé de ½ po.**
- **Tournevis à tête plate et pour vis cruciformes.**
- **Deux boulons de compression de diamètre extérieur de ¼ de po et 2 bagues (manchons)** pour raccorder le tube en cuivre à la vanne d'arrêt et à la vanne d'eau du réfrigérateur.

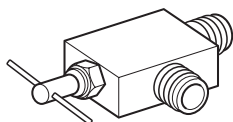


- Si votre canalisation en cuivre existante comporte un raccord évasé à l'extrémité, vous aurez besoin d'un adaptateur (offert dans les magasins de fournitures de plomberie) pour raccorder la conduite d'eau au réfrigérateur OU vous pouvez couper le raccord évasé avec un

découpeur de tube, puis utiliser un raccord de compression.



- Vanne d'arrêt à raccorder à la conduite d'eau froide. La vanne d'arrêt doit avoir une prise d'eau d'un diamètre intérieur minimal de 5/32 po au point de connexion à la CONDUITE D'EAU FROIDE. Les vannes d'arrêt à étrier sont comprises dans beaucoup d'ensembles d'approvisionnement en eau. Avant de l'acheter, assurez-vous qu'une vanne à étrier est conforme aux codes de plomberie en vigueur.



REMARQUE

- Une vanne d'eau à étrier auto-perceuse ne devrait pas être utilisée.

Instructions d'installation de la conduite d'eau

Installez la vanne d'arrêt sur la conduite d'eau potable fréquemment utilisée la plus près.

⚠ AVERTISSEMENT

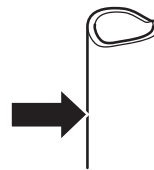
- Si vous utilisez un appareil électrique (comme une perceuse électrique) lors de l'installation, assurez-vous que le dispositif est alimenté par pile, qu'il comporte une double isolation ou qu'il est mis à la terre d'une manière qui permettra d'éviter tout risque de décharge électrique.

- 1 Fermez la source principale d'alimentation en eau.

- Ouvrez le robinet le plus près pour enlever la pression sur la ligne.

- 2 Choisissez l'emplacement de la vanne.

- Choisissez un emplacement facilement accessible. Il est préférable de la relier sur le côté d'un tuyau d'eau vertical. Lorsqu'il est nécessaire de la relier à un tuyau d'eau horizontal, réalisez le raccordement sur le haut ou sur le côté, plutôt que sur le bas, pour éviter de recevoir des sédiments du tuyau d'eau.

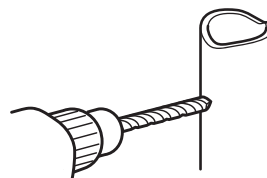


- 3 Percez le trou pour la vanne.

- Percez un trou de 1/4 po dans le tuyau d'eau à l'aide d'une mèche pointue. Enlevez toutes les bavures résultant du perçage du trou dans le tuyau. Veillez à ne pas laisser l'eau drainer par le trou. Le fait de ne pas percer un trou de 1/4 po peut diminuer la production de glace ou la taille des glaçons.

REMARQUE

- La ligne de raccordement ne peut pas être composée de tuyaux en plastique blancs. Les plombiers agréés ne doivent utiliser que des tuyaux en cuivre NDA n° 49 595 ou 49 599 ou des tuyaux en polyéthylène réticulé (XLPE).

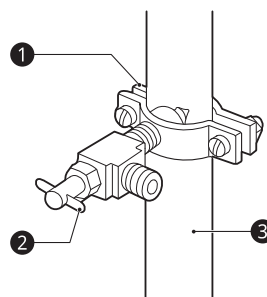


- 4 Resserrez la vanne d'arrêt.

- Resserrez la vanne d'arrêt du tuyau d'eau froide à l'aide du collier de serrage.

REMARQUE

- Le Commonwealth of Massachusetts Plumbing Code 248 CMR doit être respecté. L'utilisation de vannes à étrier n'est pas autorisée au Massachusetts. Consultez votre plombier certifié.



- 1 Collier de serrage
- 2 Vanne d'arrêt de type étrier

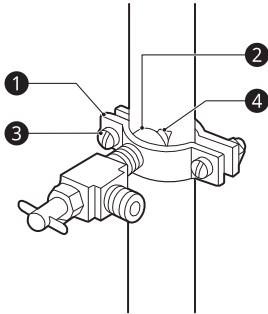
3 Tuyau vertical d'eau froide

5 Resserrez le collier de serrage.

- Serrez les vis de serrage jusqu'à ce que la rondelle de fermeture commence à enfler.

REMARQUE

- Ne serrez pas excessivement la vis, car vous pourriez écraser le tuyau.



- 1 Collier de serrage
- 2 Extrémité de la prise d'eau
- 3 Vis de serrage
- 4 Rondelle

6 Dirigez le tuyau.

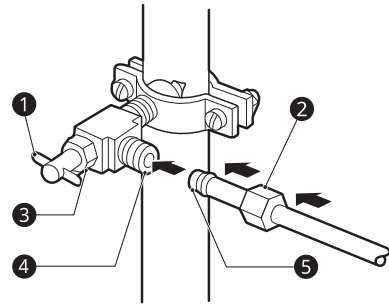
- Faites passer le tuyau entre la conduite d'eau froide et le réfrigérateur. Faites passer le tuyau par un trou percé dans le mur ou le plancher (derrière le réfrigérateur ou une armoire de cuisine adjacente), aussi près que possible du mur.

REMARQUE

- Assurez-vous que vous disposez d'un tuyau suffisamment long (environ 2,4 m [8 pieds] enroulés en 3 tours d'environ 25 cm [10 po] de diamètre) pour permettre d'éloigner le réfrigérateur du mur après l'installation.

7 Raccordez le tuyau à la vanne.

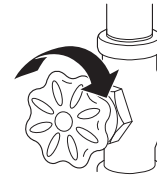
- Placez un écrou de compression et une bague (manchon) pour tuyau de cuivre à l'extrémité de la tuyauterie et raccordez le tuyau à la vanne d'arrêt. Assurez-vous que le tuyau est entièrement inséré dans la vanne. Serrez l'écrou à compression.



- 1 Vanne d'arrêt de type étrier
- 2 Écrou à compression
- 3 Écrou d'emballage
- 4 Vanne de sortie
- 5 Bague (manchon)

8 Vidangez le tuyau.

- Ouvrez la prise d'eau principale et rincez le tuyau jusqu'à ce que l'eau soit claire. Fermez l'alimentation en eau à la hauteur de la vanne une fois qu'environ un litre d'eau a circulé dans le tuyau.



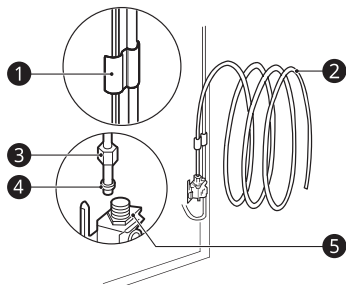
9 Raccordez le tuyau au réfrigérateur.

REMARQUE

- Avant d'effectuer le raccord au réfrigérateur, assurez-vous que le cordon d'alimentation électrique n'est pas branché dans la prise murale.
- Enlevez le capuchon flexible en plastique de la vanne d'eau.
- Placez l'écrou à compression et la bague (manchon) à l'extrémité du tuyau comme il est indiqué.

REMARQUE

- Insérez l'extrémité du tuyau de cuivre dans la connexion aussi loin que possible. Tout en tenant le tuyau, serrez le raccord.



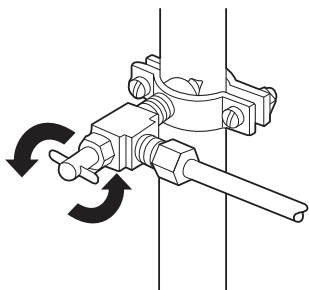
- ❶ Collier de serrage
- ❷ Tuyau de 1/4 po
- ❸ Écrou à compression de 1/4 po
- ❹ Bague (manchon)
- ❺ Branchement au réfrigérateur

10 Ouvrez l'eau à la vanne d'arrêt.

- Serrez tous les raccords qui fuient.

⚠ MISE EN GARDE

- Vérifiez s'il y a des fuites aux raccords de la conduite d'eau.

**Nivellement et alignement de la porte****Nivellement**

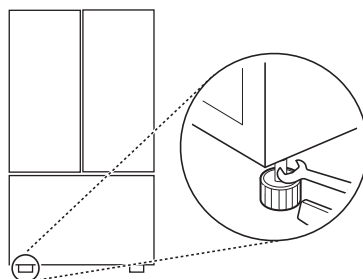
Votre réfrigérateur a deux pieds de nivellement à l'avant. Ajustez les pieds pour modifier l'inclinaison de l'avant vers l'arrière ou de gauche à droite. Si votre réfrigérateur semble instable ou que les portes sont difficiles à fermer, ajustez l'inclinaison

du réfrigérateur en suivant les instructions ci-dessous :

- 1 Tournez le pied de nivellement vers la gauche pour soulever ce côté du réfrigérateur ou vers la droite pour l'abaisser. Il est possible que vous ayez à tourner plusieurs fois le pied de nivellement pour ajuster l'inclinaison du réfrigérateur.

REMARQUE

- Une clé polygonale à têtes fendues convient le mieux à cette tâche, mais une clé à fourche peut être suffisante. Ne serrez pas excessivement.



- 2 Ouvrez les deux portes pour vérifier qu'elles ferment facilement. Si les portes ne se referment pas facilement, inclinez le réfrigérateur un peu plus vers l'arrière en tournant les deux pieds de nivellement vers la gauche. Cela peut prendre plusieurs tours supplémentaires, et vous devriez tourner autant les deux pieds de nivellement.

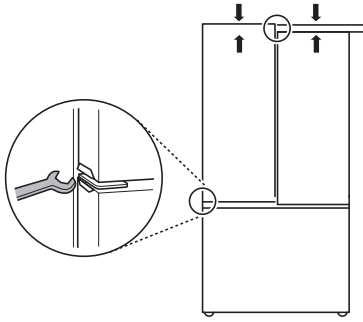
Alignement de la porte (modèle avec porte standard)

Les portes gauche et droite du réfrigérateur sont dotées d'un écrou ajustable, situé sur la charnière inférieure, pour les soulever et les abaisser afin de les aligner.

Si l'espace entre vos portes est inégal même après que vous avez rempli les balconnets, suivez les instructions ci-dessous pour les aligner.

Utilisez la clé (comprise avec le Guide d'utilisation et d'entretien) pour tourner l'écrou dans la charnière de la porte afin d'en ajuster la hauteur.

Tournez dans le sens horaire pour monter la porte ou dans le sens inverse pour l'abaisser.



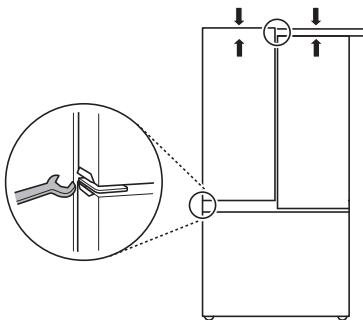
Alignement de la porte (modèle avec porte dans la porte)

Porte gauche du réfrigérateur

La porte gauche du réfrigérateur est dotée d'un écrou ajustable, situé sur la charnière inférieure, pour la soulever et l'abaisser afin de l'aligner.

Si l'espace entre vos portes n'est pas uniforme, suivez les instructions ci-dessous pour les aligner :

Utilisez la clé (comprise avec le Guide d'utilisation et d'entretien) pour tourner l'écrou dans la charnière de la porte afin d'en ajuster la hauteur. Tournez dans le sens horaire pour monter la porte ou dans le sens inverse pour l'abaisser.



Porte droite du réfrigérateur

La porte droite du réfrigérateur n'a pas d'écrou ajustable.

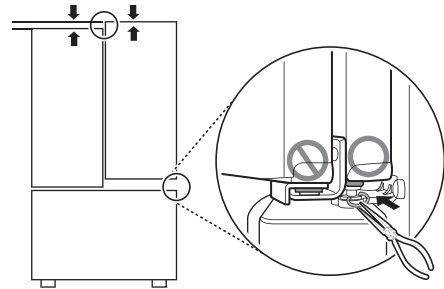
Si l'espace entre vos portes est inégal, suivez les instructions ci-dessous pour aligner la porte droite.

1 D'une main, soulevez les parties intérieure et extérieure de la porte de droite au niveau de la charnière centrale. (Ouvrez la porte pour que l'opération soit plus facile.)

2 De l'autre main, insérez le jonc d'arrêt à l'aide d'une pince sur la charnière centrale de la partie intérieure de la porte, comme illustré.

N'insérez pas le jonc sur la charnière de la partie extérieure de la porte.

3 Insérez des jongs d'arrêt supplémentaires jusqu'à ce que la porte de droite soit alignée. (Deux jongs d'arrêt sont fournis.)



Mise en marche

- Après l'installation, branchez le cordon d'alimentation du réfrigérateur dans une prise à 3 broches mise à la terre et poussez le réfrigérateur dans sa position finale.

⚠ MISE EN GARDE

- Branchez-le à une prise de puissance nominale.
- Assurez-vous qu'un électricien qualifié examine la prise de courant murale et le câblage, et qu'il confirme que la mise à la terre est adéquate.
- Ne coupez pas et n'endommagez pas la borne de terre de la prise de courant.

Choix de l'emplacement du réfrigérateur

- Disposez le tuyau enroulé de sorte qu'il ne vibre pas contre la partie arrière du réfrigérateur ou contre le mur. Poussez le réfrigérateur contre le mur.

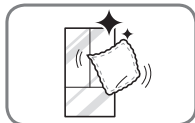
Démarrer la machine à glaçons

- Si la conduite d'eau est raccordée, réglez l'interrupteur de la machine à glaçons à la position MARCHE.
- La machine à glaçons commence à fonctionner uniquement lorsqu'elle a atteint sa température de fonctionnement de -9°C (15°F) ou une température inférieure. Elle fonctionnera ensuite automatiquement si l'interrupteur est à la position ON (marche) (I).

FONCTIONNEMENT

Avant l'utilisation

Liste de vérification

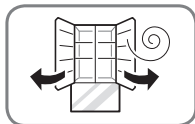


Nettoyez le réfrigérateur.

Nettoyez le réfrigérateur à fond et enlevez toute la poussière qui s'est accumulée pendant le transport.

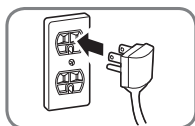
⚠ MISE EN GARDE

- Ne grattez pas le réfrigérateur avec un objet pointu et n'utilisez pas de détergent qui contient de l'alcool, du liquide inflammable ou une substance abrasive pour retirer le ruban adhésif ou la colle du réfrigérateur. Enlevez les résidus de colle en les essuyant avec votre pouce ou du détergent à vaisselle.
- Ne retirez pas l'étiquette du numéro de modèle ou de série ou les informations techniques sur la surface arrière du réfrigérateur.



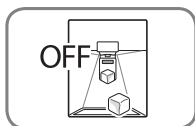
Ouvrez les portes du réfrigérateur et les tiroirs du congélateur pour ventiler l'intérieur.

L'intérieur du réfrigérateur peut dégager une odeur de plastique au début. Enlevez tout ruban adhésif de l'intérieur du réfrigérateur et ouvrez les portes du réfrigérateur et les tiroirs du congélateur à des fins de ventilation.



Branchez l'alimentation.

Vérifiez que l'alimentation est branchée avant l'utilisation.

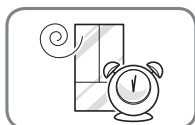


Éteignez la machine à glaçons.

Éteignez la machine à glaçons si le réfrigérateur n'est pas encore raccordé à la source d'eau.

REMARQUE

- La vanne d'arrivée d'eau de la machine à glaçons émettra un bourdonnement si elle est réglée sur Marche même si le réfrigérateur n'est pas branché à une arrivée d'eau.

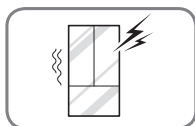


Attendez que le réfrigérateur refroidisse.

Laissez votre réfrigérateur en marche de deux à trois heures au moins avant d'y mettre des aliments. Vérifiez le flux d'air froid dans le compartiment du congélateur pour assurer un refroidissement correct.

⚠ MISE EN GARDE

- Attendez que les aliments aient refroidi avant de les placer dans le réfrigérateur, sinon ils pourraient se gâter ou laisser une mauvaise odeur tenace à l'intérieur du réfrigérateur.



Le réfrigérateur émet un bruit fort après la mise en marche initiale.

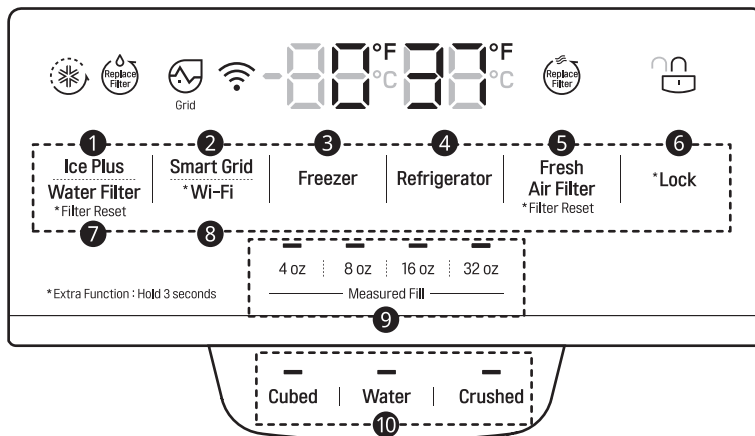
C'est normal. Le volume diminue à mesure que la température baisse.

Panneau de commande

Selon le modèle, certaines des fonctions suivantes pourraient ne pas être offertes.

Le panneau de commande réel peut différer d'un modèle à l'autre.

Caractéristiques du panneau de commande



1 Ice Plus

Cette fonction augmente aussi bien les capacités de production de glace que de congélation.

Appuyez sur la touche **Ice Plus** pour allumer l'icône et activer la fonction pendant 24 heures. La fonction s'éteindra automatiquement après 24 heures. Vous pouvez arrêter cette fonction manuellement en appuyant sur la touche une autre fois.

2 Smart Grid

Appuyez sur la touche **Smart Grid** pour activer ou désactiver la fonction. Lorsque la fonction est en marche, l'icône s'allume. La fonction se met automatiquement en marche lorsque le réfrigérateur est connecté à un réseau Wi-Fi.

Lorsque le réfrigérateur répond à un message de gestion de la demande (GD) de la compagnie d'électricité, le mot Grid (réseau) s'allume.

3 Freezer

Indique la température du compartiment du congélateur en Celsius (°C) ou en Fahrenheit (°F). La température par défaut du congélateur est de -18 °C (0 °F). Appuyez sur la touche **Freezer** à plusieurs reprises pour sélectionner une nouvelle température comprise entre -23 °C et -15 °C (entre -7 °F et 5 °F).

REMARQUE

• Craft Ice

- Cette fonctionnalité est offerte sur certains modèles seulement.
- Vous pouvez également utiliser le bouton **Freezer** pour régler le mode **Craft Ice** à **3 ICE** ou à **6 ICE**. Le mode par défaut est **3 ICE**.
- Pour produire plus de glaçons, sélectionnez le mode **6 ICE**. Pour obtenir des glaçons plus limpides, sélectionnez le mode **3 ICE**.
- Pour changer le mode **Craft Ice** :
 - 1) Maintenez la touche **Freezer** enfoncée pendant trois secondes jusqu'à ce que le panneau de commande émette un signal sonore et que le mode actuel s'affiche.
 - 2) Appuyez à plusieurs reprises sur la touche **Freezer** pour passer entre les modes **3 ICE** et **6 ICE**.
 - 3) Après cinq secondes d'inactivité, le dernier mode réglé sera sauvegardé, et l'affichage revient à l'état normal.

4 Refrigerator

Indique la température du compartiment du réfrigérateur en Celsius (°C) ou en Fahrenheit (°F). La température par défaut du réfrigérateur est de 3 °C (37 °F). Appuyez sur la touche **Refrigerator** à plusieurs reprises pour sélectionner une nouvelle température comprise entre 1 °C et 7 °C (entre 33 °F et 43 °F).


REMARQUE

- Pour faire passer le mode de température de °F à °C (ou vice-versa), maintenez les touches **Refrigerator** et **Freezer** enfoncées simultanément pendant environ 5 secondes. L'indicateur de température sur la fenêtre d'affichage alterne entre Celsius et Fahrenheit.
- La température affichée est la température cible, et non la température réelle du réfrigérateur. La température réelle du réfrigérateur dépend des aliments stockés dans le réfrigérateur.

5 Fresh Air Filter


Le filtre à air frais sert à éliminer les odeurs du réfrigérateur.

REMARQUE


- Remplacez le filtre à air frais si l'icône  est allumée. Après avoir remplacé le filtre à air frais, maintenez enfoncée la touche **Fresh Air Filter** pendant trois secondes pour éteindre la lumière de l'icône. Il est recommandé de changer le filtre à air frais environ tous les six mois.

6 Lock

La fonction de verrouillage désactive toutes les autres touches de l'écran.


- Lorsque le courant est branché au réfrigérateur pour la première fois, la fonction de verrouillage est désactivée.
- Pour verrouiller les touches du panneau de commande, maintenez enfoncée la touche **Lock** jusqu'à ce que l'icône  apparaisse, signe que la fonction est activée.
- Pour désactiver la fonction de verrouillage, maintenez enfoncée la touche **Lock** pendant environ 3 secondes.

7 Water Filter

Remplacez le filtre à eau si l'icône  est allumée. Après avoir remplacé le filtre à eau, maintenez enfoncée la touche **Water Filter** pendant trois secondes pour éteindre la lumière de l'icône. Il est recommandé de changer le filtre à eau environ tous les six mois.

8 Wi-Fi

Utilisée avec l'application **LG ThinQ**, la touche Wi-Fi permet de connecter le réfrigérateur à un réseau Wi-Fi domestique. Reportez-vous à la section Fonctions intelligentes pour obtenir des informations sur la configuration initiale de l'application.

L'icône  vous permet de vérifier l'état de connexion au réseau du réfrigérateur. Lorsque le réfrigérateur est connecté au réseau Wi-Fi, l'icône est allumée.

Appuyez sur la touche **Wi-Fi** et maintenez-la enfoncée pendant trois secondes pour établir la connexion au réseau. L'icône clignote lorsque la connexion est en cours, et reste allumée lorsque la connexion a été établie avec succès.

9 Measured Fill

La fonction de remplissage mesuré distribue automatiquement des quantités d'eau prémesurées.

10 Eau et type de glace

Sélectionnez le mode de distribution souhaité à l'aide des touches du panneau de commande du distributeur. Appuyez sur le levier du distributeur avec un verre ou un autre récipient pour obtenir des cubes de glace, de l'eau ou de la glace concassée.

⚠ MISE EN GARDE

Mode Présentation (pour une utilisation en magasin uniquement)

- Le mode Présentation désactive tout refroidissement dans les compartiments du réfrigérateur et du congélateur afin de conserver l'énergie lors de la présentation en magasin. Lorsque ce mode est activé, l'indication OFF apparaît dans l'afficheur et celui-ci s'éteint après 20 secondes lorsque vous fermez la porte.
- Pour désactiver ou activer le mode Présentation :
 - En laissant une des portes du réfrigérateur ouverte, appuyez 3 fois de suite sur le bouton **Ice Plus** tout en appuyant sur le bouton **Refrigerator**. Le panneau de commande émet un signal sonore et les réglages de température s'affichent pour confirmer que le mode Présentation est désactivé. Utilisez la même procédure pour activer le mode Présentation.

REMARQUE

- Lorsque le réfrigérateur est placé en Mode d'économie d'énergie, l'écran reste éteint jusqu'à ce qu'une porte soit ouverte ou qu'une touche soit enfoncée. Une fois allumé, l'écran reste allumé pendant 20 secondes.

Mode Sabbat**Utilisation du mode Sabbat**

Le mode Sabbat est utilisé lors du Sabbat juif et des jours fériés.

- Pour activer le mode Sabbat, touchez l'écran pour l'activer, puis appuyez simultanément sur les touches **Freezer** et **Wi-Fi**, et maintenez-les enfoncées pendant 3 secondes, jusqu'à ce que 5b s'affiche à l'écran.
- Pour désactiver le mode Sabbat manuellement, appuyez simultanément sur les touches **Freezer** et **Wi-Fi** et maintenez-les enfoncées pendant 3 secondes.

REMARQUE

- Le mode Sabbat s'éteint automatiquement après 96 heures.
- Une fois activé, le mode Sabbat est maintenu même après une panne de courant.
- La sélection du mode Sabbat désactive automatiquement les fonctionnalités d'alarme.
- Le distributeur ou la fonctionnalité InstaView sont désactivés en mode Sabbat. Cette information est valide uniquement pour les modèles dotés d'un distributeur ou de la fonctionnalité InstaView.

Machine à glaçons automatique et distributeur d'eau**Avant l'utilisation****⚠ MISE EN GARDE**

- Gardez les enfants loin du distributeur. Ils pourraient jouer avec les commandes ou les endommager.
- Jetez les premiers lots de glace (de 140 à 160 glaçons) produits après l'installation. Cela est également nécessaire si le réfrigérateur n'a pas été utilisé pendant une longue période.
- Si de la glace ou de l'eau sont distribuées de façon inattendue, coupez l'alimentation en eau et appelez le centre d'assistance de LG.
- N'utilisez jamais un verre trop étroit ou profond. De la glace peut rester coincée dans le passage et le fonctionnement du réfrigérateur peut en être affecté.

REMARQUE

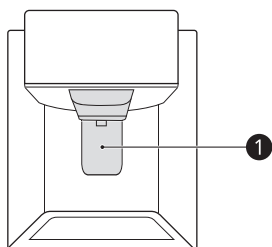
- La première fois, la glace et l'eau produites peuvent contenir des particules ou des odeurs provenant de la conduite d'approvisionnement en eau ou du réservoir d'eau. Jetez les premiers lots de glace (de 140 à 160 glaçons). Il est également nécessaire de le faire si le réfrigérateur n'a pas été utilisé pendant une longue période.

- Le distributeur ne fonctionne pas lorsque l'une des portes du réfrigérateur est ouverte.
- Si de la glace décolorée est distribuée, vérifiez le filtre à eau et l'alimentation en eau. Si le problème persiste, appelez le centre d'assistance de LG. N'utilisez pas la glace ou l'eau jusqu'à ce que le problème soit résolu.
- Distribuez la glace dans un verre avant de le remplir avec de l'eau ou d'autres boissons. Des éclaboussures peuvent se produire si la glace est distribuée dans un verre qui contient déjà du liquide.
- Quelques gouttes peuvent tomber après la distribution. Tenez votre tasse sous le distributeur pendant quelques secondes après la distribution pour recueillir toutes les gouttes.
- Gardez les récipients à une distance acceptable du distributeur. Tenez les verres étroits et profonds assez loin de la sortie de glace pour empêcher une obstruction dans la goulotte. Si vous distribuez de l'eau ou de la glace dans un récipient avec une petite ouverture, placez-le aussi près du distributeur que possible pour éviter les débordements.
- Gardez le verre à une distance appropriée du distributeur de glace. Un verre trop proche du distributeur peut empêcher la distribution de glace.

Utilisation du distributeur à eau et à glace

Appuyez à plusieurs reprises sur la touche de sélection du distributeur jusqu'à ce que l'icône située au-dessus de votre choix s'allume.

Appuyez sur le levier du distributeur ❶ avec un verre ou un autre récipient pour obtenir des cubes de glace, de l'eau ou de la glace concassée.



Utilisation du remplissage mesuré

La fonction de remplissage mesuré distribue automatiquement des quantités d'eau prémesurées.

- 1 Sélectionnez la quantité désirée à l'aide des touches **Measured Fill** situées sur le panneau de commande du distributeur.
- 2 Appuyez sur le levier du distributeur avec un récipient.
- 3 Pour arrêter le remplissage mesuré, relâchez le levier du distributeur.

Verrouillage du distributeur à eau et à glace

Maintenez la touche **Lock** enfoncée pendant 3 secondes pour verrouiller le distributeur et toutes les fonctionnalités du panneau de commande. Suivez les mêmes instructions pour le déverrouillage.

Compartiment à glaçons

⚠ MISE EN GARDE

- Tenez vos mains et vos outils à l'écart de la porte et de la goulotte de distribution du compartiment à glaçons. Le non-respect de ces consignes peut entraîner des dommages ou des blessures.

Gardez la porte du compartiment à glaçons fermée hermétiquement; sinon, l'air froid du compartiment à glaçons provoquera la congélation des aliments placés dans le réfrigérateur. Cela peut aussi interrompre le fonctionnement de la machine à glaçons.

Bac à glaçons dans la porte

La production de glaçons cesse lorsque le bac qui se trouve dans la porte est plein. Pour permettre une plus grande production de glaçons, videz le bac à glaçons dans celui qui se trouve dans le congélateur. Durant la production de glaçons, ces derniers pourraient s'empiler de façon inégale. La machine pourrait donc ne pas évaluer correctement la quantité de glaçons et cesser de fonctionner. Pour bien répartir les glaçons et remédier à ce problème, secouez le bac à glaçons.

⚠ MISE EN GARDE

- Lorsque vous manipulez le bac à glaçons, gardez vos mains loin de la zone du plateau de la machine à glaçons pour éviter de vous blesser.

⚠ MISE EN GARDE

- Le stockage de cannettes ou d'autres articles dans le bac à glaçons pourrait endommager la machine à glaçons.
- N'utilisez jamais de la verrerie ou de la vaisselle en cristal pour recueillir la glace. Ces récipients peuvent se casser ou éclater en projetant des fragments de verre parmi les glaçons.

Si la machine à glaçons est mise en position ARRÊT pendant une période prolongée, le compartiment à glaçons se réchauffera jusqu'à ce qu'il atteigne la température du réfrigérateur. Pour éviter que les glaçons fondent et que leur eau s'écoule du distributeur, videz TOUJOURS le bac à glaçons lorsque la machine est éteinte quelques heures ou plus.

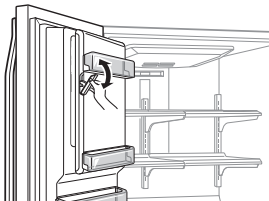
Si vous n'utilisez que de la glace concassée, il est possible que du givre bloque le passage des glaçons. Enlevez le givre accumulé en retirant le bac à glaçons et en dégageant le passage avec une spatule en caoutchouc. La distribution de glaçons peut aussi aider à prévenir l'accumulation de givre.

Retrait du bac à glaçons dans la porte

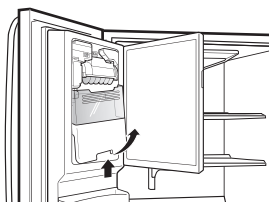
⚠ MISE EN GARDE

- Seuls les techniciens qualifiés du centre de service de LG Electronics peuvent démonter ou réparer la machine à glaçons.

- 1 Tirez doucement la poignée pour ouvrir le compartiment à glaçons.



- 2 Pour enlever le bac à glaçons à l'intérieur de la porte, saisissez la poignée avant, soulevez légèrement la partie inférieure et retirez lentement le bac comme il est illustré.



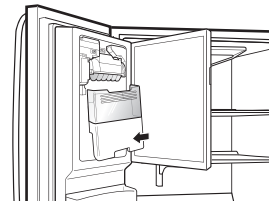
Assemblage du bac à glaçons dans la porte

⚠ MISE EN GARDE

- Lorsque vous manipulez le bac à glaçons, gardez vos mains loin de la zone du plateau de la machine à glaçons pour éviter de vous blesser.
- Lorsque vous remplacez le bac à glaçons, évitez de toucher le dispositif d'arrêt automatique (levier). Pour obtenir des précisions, consultez l'étiquette sur la porte du compartiment à glaçons.



- 1 Insérez doucement le bac à glaçons à l'intérieur de la porte en inclinant légèrement le haut afin de le glisser sous la machine à glaçons.



- 2 Poussez doucement la poignée pour fermer le compartiment à glaçons.

Machine à glaçons automatique

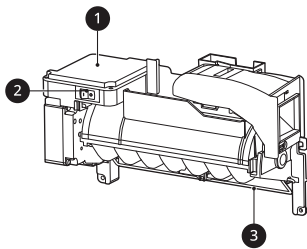
Avant d'utiliser la machine à glaçons intégrée dans la porte

REMARQUE

- Les glaçons sont fabriqués dans la machine à glaçons automatique qui se trouve dans la porte et envoyés vers le distributeur. La machine à glaçons produit entre 70 et 182 glaçons par période de 24 heures, selon la température du congélateur, la température ambiante, le nombre de fois où la porte est ouverte et d'autres conditions de fonctionnement.
- Il faudra environ 12 à 24 heures pour qu'un réfrigérateur nouvellement installé commence à produire des glaçons.

- La production de glaçons s'arrête quand le bac à glaçons à l'intérieur de la porte est plein. À ce moment, le bac contient environ 6 à 8 verres (12 à 16 oz) de glace.
- La présence de substances étrangères ou de givre sur le capteur de glaçons peut interrompre la production de glaçons. Assurez-vous que la zone du capteur reste toujours propre pour garantir un bon fonctionnement.
- Pour augmenter la production de glaçons, utilisez la fonction **Ice Plus**, laquelle permet d'augmenter les capacités de congélation et de fabrication de glace.

Machine à glaçons dans la porte



- ❶ Machine à glaçons
- ❷ Interrupteur
- ❸ Dispositif d'arrêt automatique (levier)

Avant d'utiliser la machine à glaçons du congélateur

Cette fonctionnalité est offerte sur certains modèles seulement.

La fonctionnalité peut varier en fonction du modèle acheté.

REMARQUE

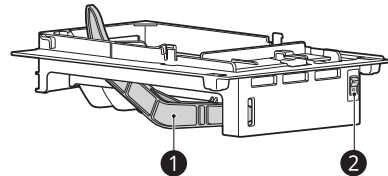
- Jetez les premiers lots de glace (de 140 à 160 glaçons) produits après l'installation. Cela est également nécessaire si le réfrigérateur n'a pas été utilisé pendant une longue période.
- La machine à glaçons commence à produire des glaçons environ 48 heures après l'installation initiale du réfrigérateur.
- Le son des glaçons tombant dans le bac est normal.
- Si le bac à glaçons est rempli au maximum de sa capacité, la production de glaçons cessera.
- La quantité de glace et la forme de celle-ci peuvent varier selon l'environnement

(température ambiante, le nombre de fois où la porte est ouverte, la quantité de nourriture dans l'appareil, la pression de l'eau, etc.).

- En cas de panne de courant, jeter la glace stockée dans le bac à glaçons.

Machine à glaçons du congélateur (cubes de glace)

Cette fonctionnalité est offerte sur certains modèles seulement.



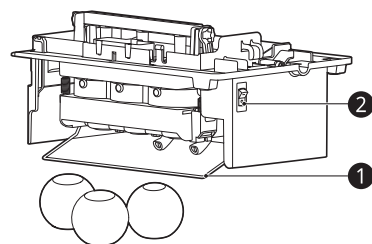
- ❶ Levier
- ❷ Interrupteur

REMARQUE

- La machine à glaçons automatique du congélateur produit 12 cubes à la fois, 50 à 110 glaçons par période de 24 heures si les conditions sont favorables. Cette quantité peut varier selon l'environnement (la température ambiante, le nombre de fois où la porte est ouverte, la quantité d'articles dans l'appareil, etc.).
- Les glaçons stockés dans le bac à glaçons pendant une période prolongée peuvent s'agglutiner et vous pourriez éprouver de la difficulté à les séparer. Dans ce cas, videz complètement le bac à glaçons et nettoyez-le avant de le remettre en place.

Machine à glaçons du congélateur (Craft Ice^{MC})

Cette fonctionnalité est offerte sur certains modèles seulement.



- ① Levier
- ② Interrupteur

⚠ MISE EN GARDE

- N'insérez pas de glaçons en boule dans le bac à glaçons situé dans la porte, car ils pourraient endommager le distributeur d'eau et de glaçons.

REMARQUE

- Les premiers glaçons produits après l'installation de l'appareil ou le remplacement du filtre à eau pourraient être semi-circulaires ou contenir des bulles d'air.
- La forme des glaçons peut varier si la pression de l'eau est inférieure à 20 psi (138 kPa) ou qu'un système par osmose inverse est utilisé.
- Les glaçons peuvent sembler troubles selon la qualité de l'eau à l'emplacement d'installation et les conditions d'utilisation.
- Jetez tous les morceaux de glace qui pourraient se trouver dans le bac à glaçons, car ils peuvent coller aux glaçons.
- Après une brève panne de courant, il faudra plus de temps pour produire les premiers glaçons, et ceux-ci pourraient ne pas être formés en boule. Si le courant est coupé pour une plus longue période, jetez les glaçons stockés dans le bac à glaçons.
- La machine à glaçons **Craft Ice** produit un lot de glaçons sphériques (3 glaçons) à la fois.
- En mode **3 ICE** (réglage par défaut), la machine à glaçons **Craft Ice** produit un lot de glaçons sphériques (3 glaçons) toutes les 18 à 30 heures. En mode **6 ICE**, la machine à glaçons **Craft Ice** produit deux lots de glaçons sphériques (6 glaçons) pendant la même période.
- Pour produire plus de glaçons, sélectionnez le mode **6 ICE**. Pour obtenir des glaçons plus limpides, sélectionnez le mode **3 ICE**.
- Le temps requis pour produire des glaçons peut varier selon les conditions de fonctionnement.
- Le bac à glaçons peut contenir de 20 à 30 glaçons en boule.

Mise en marche et arrêt de la machine à glaçons

Pour mettre la machine à glaçons automatique en marche ou à l'arrêt, appuyez sur l'interrupteur d'alimentation situé sur la machine à glaçons et mettez-le en position ON (|) or OFF (O).

Les sons normaux que vous entendrez

- Si vous laissez la machine à glaçons en marche avant qu'elle soit raccordée à l'arrivée d'eau, vous risquez de l'endommager.
- La vanne d'arrivée d'eau de la machine à glaçons émettra un bourdonnement pendant le remplissage de la machine. Si la touche d'alimentation est réglée sur ON, la machine à glaçons bourdonnera même si elle n'est pas encore raccordée à une arrivée d'eau. Pour arrêter ce bourdonnement, appuyez sur la touche d'alimentation de la machine à glaçons pour arrêter la machine.
- Vous entendrez le son des glaçons qui tombent dans le bac et l'eau qui circule dans les tuyaux tandis que la machine à glaçons se remplit à nouveau.

Préparation en vue des vacances

Réglez l'interrupteur de la machine à glaçons sur OFF (arrêt) et fermez l'alimentation en eau du réfrigérateur.

REMARQUE

- Le bac à glaçons doit être vidé chaque fois que la touche d'alimentation est réglée à OFF.

Si la température ambiante risque de descendre sous le point de congélation, demandez à un technicien qualifié de drainer le système d'alimentation en eau pour empêcher les dégâts importants que causerait la rupture des conduites d'eau ou des raccordements.

Stockage des aliments

Conseils pour le stockage des aliments

Pour conserver les aliments au réfrigérateur, enveloppez-les de pellicule étanche à l'air et résistante à l'humidité ou conservez-les dans des contenants hermétiques, sauf indication contraire. Cela empêche la diffusion de l'odeur et du goût des aliments dans le réfrigérateur. Pour assurer la fraîcheur des produits périssables, vérifiez la date de péremption.

⚠ MISE EN GARDE

- Ne placez pas trop d'articles ou des articles trop rapprochés les uns des autres dans les balconnets. Cela pourrait endommager les

balconnets ou causer des blessures aux utilisateurs si les articles sont retirés des balconnets avec force.

- Ne rangez pas de contenants en verre dans le congélateur. Le contenu liquide peut prendre de l'expansion lorsqu'il est congelé, endommager le contenant et causer des blessures.

Comment ranger les aliments

- Beurre ou margarine
 - Conservez le beurre dont l'emballage est ouvert dans un plat couvert ou un compartiment fermé. Lorsque vous en stockez une quantité supplémentaire, enveloppez-le dans un emballage pour congélateur et congelez le tout.
- Fromage
 - Stockez-le dans l'emballage d'origine jusqu'au moment de le consommer. Une fois l'emballage ouvert, réemballez le fromage hermétiquement dans de la pellicule plastique ou du papier d'aluminium.
- Lait
 - Essuyez les cartons de lait. Pour que le lait soit plus froid, placez-le sur une tablette à l'intérieur du réfrigérateur.
- Œufs
 - Stockez-les dans la boîte d'origine sur une tablette à l'intérieur du réfrigérateur, et non dans la porte.
- Fruits
 - Ne lavez et ne pelez pas les fruits jusqu'à ce qu'ils soient prêts à être consommés. Triez les fruits et conservez-les dans leur contenant d'origine que vous placerez dans un bac à fruits et légumes, ou rangez-les dans un sac en papier bien fermé sur une tablette du réfrigérateur.
- Légumes à feuilles
 - Retirez les légumes de l'emballage du commerce, puis coupez ou déchirez les parties endommagées et décolorées. Lavez les légumes à l'eau froide et égouttez-les. Rangez-les dans un sac ou un contenant en plastique et placez-les dans le bac à fruits et légumes.
- Légumes avec pelure (carottes, poivrons)
 - Rangez-les dans un sac ou un contenant en plastique et placez-les dans le bac à fruits et légumes.
- Poisson
 - Congelez le poisson et les crustacés frais s'ils ne sont pas consommés le jour même de

l'achat. Il est recommandé de consommer le poisson et les crustacés frais le jour même de l'achat.

- Restes
 - Couvrez les restes de pellicule plastique ou de papier d'aluminium, ou rangez-les dans des contenants en plastique hermétiques.

Stockage d'aliments congelés

Consultez un manuel sur les congélateurs ou un livre de recettes fiable pour plus de renseignements sur la préparation d'aliments pour la congélation ou sur les durées de conservation des aliments.

Congélation

Votre congélateur ne pourra congeler rapidement une grande quantité d'aliments. Dans le congélateur, ne placez pas une quantité d'aliments supérieure à celle qui peut être congelée dans un délai de 24 heures (c'est-à-dire pas plus de 2 à 3 livres d'aliments par pied cube d'espace de congélateur). Laissez suffisamment d'espace dans le congélateur pour permettre une circulation d'air autour des emballages. De plus, laissez suffisamment d'espace à l'avant de façon à pouvoir fermer la porte hermétiquement.

Les durées de conservation varieront en fonction de la qualité et du type d'aliments, du type d'emballage ou de pellicule utilisés (degré d'étanchéité à l'air et de résistance à l'humidité) et de la température de stockage. La présence de cristaux de glace dans un emballage scellé est normale. Cela signifie simplement que l'humidité dans les aliments et l'air à l'intérieur de l'emballage ont produit de la condensation, créant des cristaux de glace.

REMARQUE

- Laissez refroidir les aliments chauds à la température ambiante pendant 30 minutes, puis emballez-les et congelez-les. Le fait de refroidir les aliments chauds avant de les congeler économise de l'énergie.

Emballage

Une congélation réussie dépend d'un emballage adéquat. Lorsque vous fermez et scellez l'emballage, celui-ci ne doit pas permettre l'entrée ou la sortie d'air ou d'humidité. Autrement, l'odeur et le goût des aliments pourraient être diffusés dans le réfrigérateur et les aliments congelés pourraient sécher.

Emballages recommandés

- Contenants de plastique rigides avec couvercles hermétiques
- Bocaux à bords droits pour conserve/ congélation
- Papier d'aluminium robuste
- Papier plastifié
- Pellicules plastifiées imperméables
- Sacs en plastique autoadhésifs de qualité pour congélateur

Suivez les instructions sur l'emballage ou le récipient pour les méthodes de congélation adéquates.

N'utilisez pas ce qui suit :

- Papier d'emballage pour pain
- Récipients en plastique sans polyéthylène
- Récipients sans couvercles hermétiques
- Papier paraffiné ou papier d'emballage recouvert de cire pour congélation
- Papier d'emballage mince, semi-perméable

REMARQUE

- Si vous quittez votre domicile pendant une courte période de temps, pour des vacances, par exemple, le réfrigérateur devrait rester allumé. Les aliments réfrigérés pouvant être congelés se conserveront plus longtemps s'ils sont stockés dans le congélateur.
- Si vous laissez le réfrigérateur éteint pendant une période prolongée, videz-le de tous les aliments et débranchez-le. Nettoyez l'intérieur et laissez la porte ouverte pour empêcher les moisissures de se développer dans le réfrigérateur.
- Ne stockez pas d'aliments à teneur élevée en humidité dans la partie supérieure du réfrigérateur. L'humidité pourrait entrer directement en contact avec l'air froid et geler.
- Lavez les aliments avant de les stocker dans le réfrigérateur. Les fruits et les légumes doivent être lavés et l'emballage des aliments doit être essuyé pour empêcher de contaminer les aliments à proximité.
- Si le réfrigérateur est installé dans un endroit chaud et humide, l'ouverture fréquente de la porte ou le fait de stocker beaucoup de légumes dans le réfrigérateur peut provoquer de la condensation. Essayez la condensation avec un chiffon propre ou une serviette en papier.
- Si la porte du réfrigérateur ou le tiroir du congélateur sont ouverts ou fermés trop souvent, l'air chaud peut pénétrer dans le réfrigérateur et élever sa température. Cela peut

aussi accroître le coût de fonctionnement de l'appareil.

Bacs à humidité contrôlée pour fruits et légumes

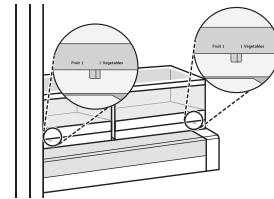
Utilisation des bacs à humidité contrôlée pour fruits et légumes

Cette fonctionnalité est offerte sur certains modèles seulement.

Ces bacs préservent le goût frais des fruits et légumes en vous permettant de régler aisément l'humidité à l'intérieur du tiroir.

Vous pouvez régler le taux d'humidité des bacs à fruits et légumes étanches à l'humidité en plaçant le curseur entre **Vegetables** et **Fruit**.

- Le réglage **Vegetables** maintient de l'air humide dans le bac pour la conservation optimale des légumes à feuilles frais.
- Le réglage **Fruit** laisse échapper de l'air humide du bac pour la conservation optimale des fruits.

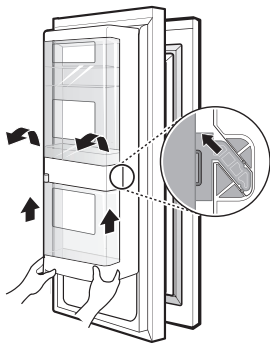


Retrait et assemblage des bacs à humidité contrôlée pour fruits et légumes

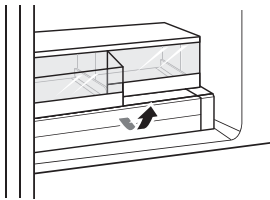
- 1 Ouvrez complètement les portes et retirez le contenu du compartiment de type Porte dans la porte. Soulevez ce dernier et retirez-le.

REMARQUE

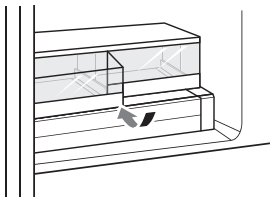
- La fonctionnalité Porte dans la porte est offerte sur certains modèles seulement.



- 2** Tirez le bac à pleine extension, soulevez l'avant et retirez le bac.



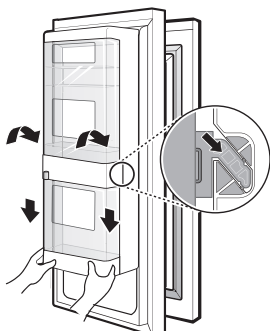
- 3** Pour réassembler, inclinez légèrement le devant, insérez le bac dans le cadre et remettez-le en place en le poussant.



- 4** Alignez les languettes du compartiment de type Porte dans la porte sur les fentes de la porte et enfoncez jusqu'à ce que tout s'enclenche.

REMARQUE

- La fonctionnalité Porte dans la porte est offerte sur certains modèles seulement.

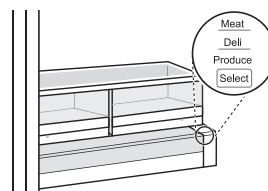


Tiroir Glide N' Serve

Utilisation du tiroir Glide N' Serve

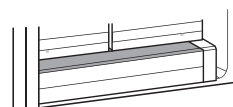
Cette fonction offre un espace de stockage avec un contrôle de température variable qui permet de garder le compartiment à une température légèrement différente de celle de la section réfrigérateur. Ce tiroir peut être utilisé pour ranger de grands plateaux pour réception, des produits de charcuterie et des boissons. (Ce tiroir ne doit pas servir à ranger les légumes qui nécessitent un taux élevé d'humidité.)

Appuyez sur la touche **Select** pour choisir entre **Produce** (froid), **Deli** (plus froid) et **Meat** (le plus froid).



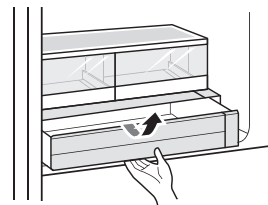
⚠ MISE EN GARDE

- Ne placez aucun objet sur le dessus du tiroir Glide N' Serve.

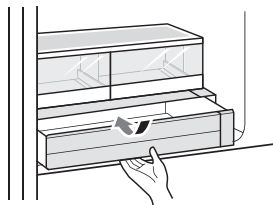


Détacher et assembler le tiroir Glide N' Serve

- 1** Pour enlever le tiroir Glide N' Serve, tirez-le jusqu'à ce qu'il s'arrête, soulevez le devant et retirez-le.



- 2** Pour assembler le tiroir, inclinez légèrement le devant, insérez le tiroir dans le cadre et remettez-le en place en le poussant.



Tablettes du réfrigérateur

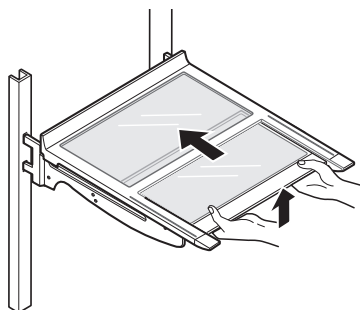
Les étagères de votre réfrigérateur sont ajustables pour répondre à vos besoins de stockage particuliers. Votre modèle peut comporter de pleines étagères ou des demi-étagères.

En réglant la hauteur des étagères pour y placer des aliments de différentes tailles, vous retrouverez plus facilement ce que vous cherchez.

Utilisation de la tablette pliante

Cette fonctionnalité est offerte sur certains modèles seulement.

Rangez des objets plus grands, comme un grand récipient ou des bouteilles, en poussant simplement la moitié avant de l'étagère sous la partie arrière de l'étagère. Tirez l'avant de l'étagère vers vous pour retrouver une étagère pleine.



⚠ MISE EN GARDE

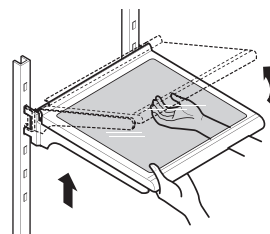
- Les étagères en verre sont lourdes. Soyez particulièrement prudent lorsque vous les retirez.
- Ne nettoyez pas les tablettes en verre avec de l'eau chaude lorsqu'elles sont froides. Elles pourraient se briser si elles sont exposées à des changements brusques de température ou à des impacts.

Retrait et assemblage de la tablette demi-largeur

⚠ MISE EN GARDE

- Ne nettoyez pas les tablettes en verre avec de l'eau chaude lorsqu'elles sont froides. Elles pourraient se briser si elles sont exposées à des changements brusques de température ou à des impacts.

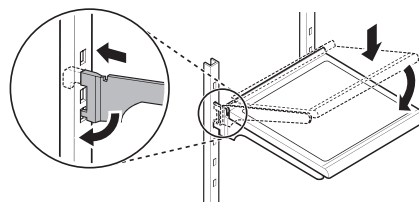
- 1 Pour retirer la tablette, inclinez la partie avant vers le haut, puis soulevez la tablette.
- 2 Retirez-la.



- 3 Pour assembler, faites basculer l'avant de l'étagère vers le haut et guidez les crochets de l'étagère dans les fentes à la hauteur désirée.
- 4 Ensuite, abaissez l'avant de l'étagère afin que les crochets tombent dans les fentes.

⚠ MISE EN GARDE

- Assurez-vous que les étagères sont d'aplomb d'un côté à l'autre. Ne pas le faire peut provoquer la chute de l'étagère ou des aliments.



Porte dans la porte

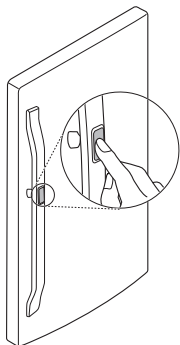
Cette fonctionnalité est offerte sur certains modèles seulement.

Le compartiment Porte dans la porte permet un accès facile aux aliments fréquemment utilisés.

Compartment Porte dans la porte

Cette fonctionnalité est offerte sur certains modèles seulement.

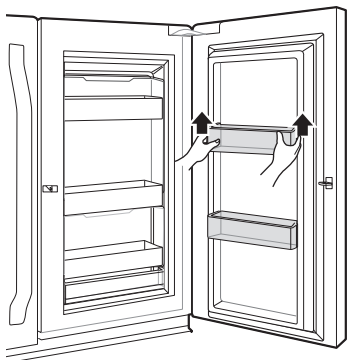
Pour accéder au compartiment Porte dans la porte, appuyez légèrement sur le bouton se trouvant sur la poignée droite.



Panier Porte dans la porte

Les paniers **Door-in-Door** des portes intérieure et extérieure sont amovibles pour faciliter le nettoyage.

- 1 Pour retirer les paniers de la porte, soulevez-les et tirez-les.

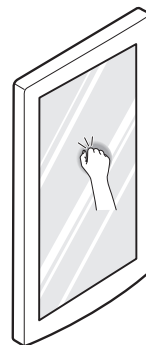


- 2 Pour replacer les paniers de la porte, faites-les glisser au-dessus de leur support et appuyez jusqu'à ce qu'ils se mettent en place.

Porte dans la porte avec technologie InstaView

Frappez deux fois sur la vitre pour activer ou désactiver la lumière à DEL qui se trouve à

l'intérieur de la porte InstaView. La lumière à DEL s'éteint automatiquement après 10 secondes.



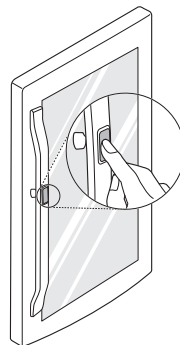
REMARQUE

- La lumière à DEL ne s'allume pas si la porte droite du réfrigérateur est ouverte.
- La fonction **InstaView** ne s'active que deux secondes après la fermeture de la porte.
- La fonction **InstaView** est désactivée lorsque le distributeur de glaçons est utilisé.

Porte dans la porte avec technologie InstaView

La fonctionnalité **InstaView** du compartiment **Door-in-Door** (Porte dans la porte) vous permet de voir le contenu du compartiment sans avoir à ouvrir la porte.

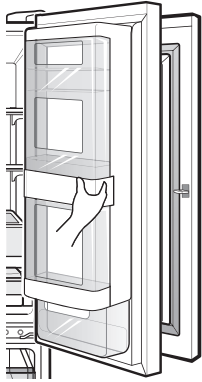
Pour accéder au compartiment **InstaView Door-in-Door**, appuyez légèrement sur le bouton se trouvant sur la poignée droite.



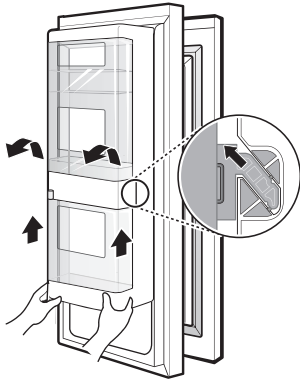
Compartment Porte dans la porte

Pour ouvrir le compartiment **Door-in-Door**, appuyez sur l'endroit marqué **Pull to open**. Le

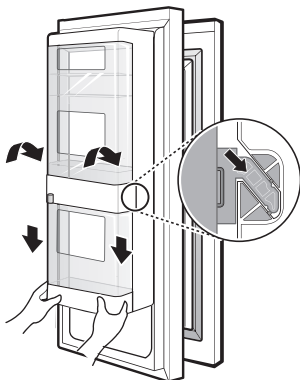
compartiment est amovible pour faciliter son nettoyage et son réglage.



- 1** Pour retirer le compartiment, soulevez-le et tirez-le.



- 2** Pour replacer le compartiment, alignez les languettes du compartiment sur les fentes de la porte et enfoncez-le jusqu'à ce que tout s'enclenche.

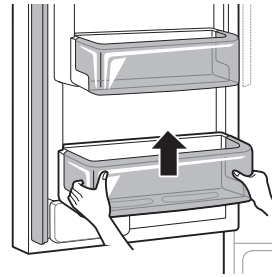


Bacs de la porte

Retrait et remontage des bacs de la porte

Les bacs de la porte sont amovibles pour faciliter leur nettoyage et leur réglage.

- 1** Pour retirer le bac, soulevez-le et retirez-le.



- 2** Pour replacer le bac, faites-le glisser au-dessus de son support et appuyez jusqu'à ce qu'il se mette en place.

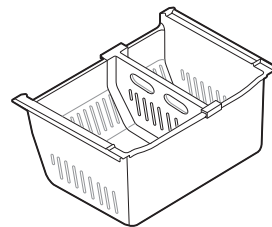
⚠ MISE EN GARDE

- Détachez et lavez régulièrement les bacs de rangement et les étagères, qui peuvent être facilement contaminés par la nourriture.
- N'usez pas de force excessive lors du retrait ou du montage des bacs de rangement.
- N'utilisez pas le lave-vaisselle pour nettoyer les bacs de rangement et les étagères.

Durabase

Utilisation du diviseur Durabase

Le diviseur **Durabase** permet de séparer l'espace **Durabase** en 2 sections. Il peut être ajusté d'un côté à l'autre pour contenir des éléments de différentes tailles.



⚠ AVERTISSEMENT

- Si le diviseur **Durabase** est retiré du tiroir du congélateur, il y a suffisamment d'espace à l'intérieur pour qu'un petit enfant ou un animal

domestique puisse y pénétrer. Pour empêcher qu'un enfant ou un animal domestique y reste enfermé et suffoque, NE laissez PAS les enfants et les animaux domestiques toucher le tiroir ou s'en approcher.

FONCTIONS INTELLIGENTES

Application LG ThinQ

Cette fonction n'est offerte que sur les modèles dotés du Wi-Fi.

L'application **LG ThinQ** vous permet de communiquer avec l'appareil à l'aide d'un téléphone intelligent.

Caractéristiques de l'application LG ThinQ

- **Mode Soin intelligent†**
 - Offre une expérience plus personnalisée basée sur l'analyse de vos habitudes d'utilisation.
- **Mode Sabbat intelligent†**
 - Active ou désactive le mode Sabbat et définit le calendrier d'activation du mode.
- **Surveillance de la consommation d'énergie†**
 - Cette fonctionnalité permet de suivre la consommation énergétique du réfrigérateur ainsi que le nombre de fois où la porte est ouverte.
- **Contrôle à distance**
 - Contrôle la température du réfrigérateur, le filtre à air frais et la fonctionnalité Ice Plus à l'aide de l'application pour téléphone intelligent.
- **Messages automatiques**
 - Si la porte reste ouverte pendant plus de dix minutes, vous recevrez un message automatisé. Lorsque la fonction Ice Plus est terminée, vous recevrez aussi un message automatisé.
- **Smart Diagnosis™**
 - Cette fonction fournit des renseignements utiles pour diagnostiquer et résoudre les problèmes avec l'appareil en se basant sur le profil d'utilisation.
- **Paramètres**
 - Cette fonctionnalité vous permet de régler diverses options du réfrigérateur et de l'application.

†: Cette fonctionnalité est offerte sur certains modèles seulement.

REMARQUE

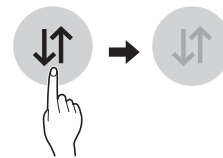
- Si vous changez de routeur sans fil, de fournisseur de service Internet ou de mot de passe, supprimez l'appareil enregistré de

l'application **LG ThinQ**, puis enregistrez-le de nouveau.

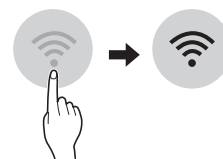
- Cette information est à jour au moment de la publication. L'application est sujette à des modifications à des fins d'amélioration du produit, et ce, sans que l'utilisateur en soit préalablement avisé.

Avant d'utiliser l'application LG ThinQ


- 1 Utilisez un téléphone intelligent pour vérifier la force du signal du routeur sans fil (réseau Wi-Fi) à proximité de l'appareil.
 - S'il y a une trop grande distance entre l'appareil et le routeur sans fil, l'intensité du signal s'affaiblit. L'enregistrement peut prendre du temps, ou l'installation peut échouer.
- 2 Désactivez les **Données mobiles** ou les **Données cellulaires** sur votre téléphone intelligent.



- 3 Connectez votre téléphone intelligent au routeur sans fil.



REMARQUE

- Pour vérifier l'état de la connexion Wi-Fi, assurez-vous que l'icône  qui se trouve sur le panneau de commande est allumée.
- L'appareil prend seulement en charge les réseaux Wi-Fi de 2,4 GHz. Pour vérifier la fréquence de votre réseau, contactez votre fournisseur de services Internet ou reportez-vous au manuel de votre routeur sans fil.
- **LG ThinQ** n'est pas responsable des problèmes de connexion au réseau ou des défauts,

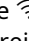
dysfonctionnements ou erreurs causés par la connexion au réseau.

- L'environnement sans fil peut causer un ralentissement du fonctionnement du réseau sans fil.
- Si l'appareil a des difficultés à se connecter au réseau Wi-Fi, il est peut-être trop loin du routeur. Procurez-vous un répéteur Wi-Fi (rallonge de portée) pour améliorer la force du signal Wi-Fi.
- La connexion réseau peut ne pas fonctionner correctement selon le fournisseur de services Internet.
- La connexion Wi-Fi pourrait ne pas se faire ou être interrompue à cause de l'environnement du réseau domestique.
- Si l'appareil ne peut pas être enregistré en raison de problèmes avec la transmission du signal sans fil, débranchez l'appareil et attendez environ une minute avant de réessayer.
- Si le pare-feu de votre routeur sans fil est activé, désactivez-le ou ajoutez-y une exception.
- Le nom du réseau sans fil (SSID) doit être une combinaison de lettres et de chiffres anglais. (N'utilisez pas de caractères spéciaux.)
- L'interface utilisateur (IU) du téléphone intelligent peut varier en fonction du système d'exploitation (SE) mobile et du fabricant.
- Si le protocole de sécurité du routeur est configuré sur **WEP**, la configuration du réseau peut échouer. Veuillez changer le protocole de sécurité (nous recommandons **WPA2**) et enregistrez le produit à nouveau.

Installation de l'application LG ThinQ

À partir d'un téléphone intelligent, cherchez l'application **LG ThinQ** dans la boutique Google Play ou l'App Store d'Apple. Suivez les instructions pour télécharger et installer l'application.

Connexion à un réseau wi-fi

Lorsque la touche **Wi-Fi** est utilisée avec l'application **LG ThinQ**, elle permet à l'appareil de se connecter au réseau Wi-Fi de votre domicile. L'icône  indique l'état de la connexion de l'appareil au réseau. Lorsque l'appareil est connecté au réseau Wi-Fi, l'icône s'allume.


• Enregistrement initial de l'appareil

Exécutez l'application **LG ThinQ** et suivez les directives de l'application pour enregistrer l'appareil.

• Réenregistrement de l'appareil ou enregistrement d'un autre utilisateur

Appuyez sur la touche **Wi-Fi** et maintenez-la enfoncée pendant trois secondes pour l'éteindre temporairement. Exécutez l'application **LG ThinQ** et suivez les directives de l'application pour enregistrer l'appareil.

REMARQUE

- Pour désactiver la fonction Wi-Fi, maintenez la touche **Wi-Fi** enfoncée pendant 3 secondes. L'icône  s'éteindra.

Caractéristiques du module LAN sans fil

Modèle	LCW-004
Gamme de fréquences	2412 - 2462 MHz
Puissance de sortie (max.)	< 30 dBm

Renseignements relatifs à la réglementation FCC

L'avis suivant se rapporte au module de transmetteur se trouvant dans le produit.

Cet équipement a été testé et jugé conforme aux limites d'un appareil numérique de classe B, conformément à la partie 15 des règles de la FCC. Ces limites sont établies pour fournir une protection raisonnable contre les interférences nuisibles dans une installation résidentielle. Cet équipement produit, utilise et peut émettre de l'énergie radioélectrique et, s'il n'est pas installé et utilisé conformément aux présentes instructions, peut causer des interférences nuisibles aux communications radio. Quoi qu'il en soit, on ne peut pas garantir que des interférences ne se produiront pas dans certaines installations. Si cet appareil cause des interférences nuisibles à la réception des signaux de radio ou de télévision, ce qui peut être déterminé en allumant et en éteignant l'appareil, on encourage l'utilisateur à essayer de corriger ces interférences par l'un des moyens suivants :

- Réorientez ou déplacez l'antenne de réception.
- Augmentez la distance séparant l'équipement du récepteur.
- Branchez l'équipement sur une prise électrique reliée à un circuit électrique différent de celui sur lequel le récepteur est branché.

- Contactez votre revendeur ou un technicien radio/télévision expérimenté.

Cet appareil est conforme à la partie 15 du règlement de la FCC. Le fonctionnement est soumis aux deux conditions suivantes :

- (1) cet appareil ne doit pas provoquer d'interférences nuisibles;
- (2) cet appareil doit accepter toutes les interférences reçues, y compris celles pouvant entraîner son dysfonctionnement.

Tout changement ou toute modification apportés à cet appareil et qui ne sont pas approuvés de manière explicite par le fabricant sont susceptibles d'annuler l'autorité de l'utilisateur quant à utiliser l'appareil.

Énoncé FCC sur l'exposition aux radiations RF

Cet équipement est conforme aux limites de radiation de la FCC définies pour un environnement non contrôlé. Cet appareil et sa ou ses antennes ne doivent pas être colocalisés ou opérés en conjonction avec tout autre antenne ou transmetteur.

Cet appareil doit être installé et utilisé de façon à maintenir une distance minimale de 20 cm (7,8 po) entre l'antenne et l'utilisateur. Les utilisateurs doivent respecter les directives d'utilisation afin de satisfaire aux critères en matière d'exposition aux rayonnements RF.

Avis d'Industrie Canada

L'émetteur/récepteur exempt de licence contenu dans le présent appareil est conforme aux CNR d'Innovation, Sciences et Développement économique Canada applicables aux appareils radio exempts de licence. L'exploitation est autorisée aux deux conditions suivantes :

- (1) Cet appareil ne doit pas provoquer d'interférences.
- (2) Cet appareil doit accepter toutes les interférences, y compris celles pouvant entraîner son dysfonctionnement.

Énoncé d'IC concernant l'exposition à la radiation

Cet appareil est conforme aux limites d'exposition aux rayonnements d'Industrie Canada pour un environnement non contrôlé

Cet appareil doit être installé et utilisé de façon à garder une distance minimale de 20 cm (7,8 pouces) entre la source de rayonnement et votre corps.

REMARQUE

- LE FABRICANT N'EST PAS RESPONSABLE DES INTERFÉRENCES RADIOÉLECTRIQUES CAUSÉES PAR DES MODIFICATIONS NON AUTORISÉES APPORTÉES À CET APPAREIL. DE TELLES MODIFICATIONS POURRAIENT ANNULER L'AUTORISATION ACCORDÉE À L'UTILISATEUR DE FAIRE FONCTIONNER L'APPAREIL.

Software de código abierto

Pour obtenir le code source conformément aux dispositions de la licence publique générale, de la licence publique générale limitée, de la licence publique Mozilla et de toute autre licence régissant les logiciels à code source libre contenus dans cet appareil, visitez le site <http://opensource.lge.com>. En plus du code source, toutes les dispositions de licence, les exonérations de garantie et les avis de droits d'auteurs peuvent aussi être téléchargés.

LG Electronics mettra également à votre disposition le code source libre sur CD-ROM pour un prix couvrant le coût de la distribution (coût du support, de l'expédition et de la manutention) sur simple demande par courriel à l'adresse opensource@lge.com. Cette offre est valable pendant une période de trois ans à compter de la date de la dernière distribution de ce produit. Cette offre est valide pour quiconque possède cette information.

Fonction Smart Grid

Lorsque le réfrigérateur est en mode Smart Grid, la fonction Réfrigérateur intelligent peut contrôler l'utilisation de l'énergie ou retarder la mise en marche de certaines fonctions afin d'économiser l'énergie durant les périodes de pointe.

- Vous pouvez annuler la fonction Smart Grid en tout temps (au moyen de la touche ou de l'application **Smart Grid**).
- Pour utiliser la fonction Réseau Électrique Intelligent, vous devez enregistrer l'application auprès de votre fournisseur d'électricité, à condition que celui-ci prenne en charge cette fonction. En autres mots, la fonction Réseau Électrique Intelligent ne sera pas disponible si votre fournisseur d'électricité ne prend pas en

charge la fonction ou n'a pas la capacité de la prendre en charge.

Fonctionnalités de l'application Smart Grid

- Économie intelligente_Gestion de la demande
 - Vous pouvez réduire l'utilisation énergétique en fonction des signaux de gestion de la demande (GD) provenant de la société de services publics. Si le réfrigérateur est en mode d'économie intelligente selon les signaux de gestion de la demande, vous verrez apparaître une fenêtre.
- Économie d'énergie en saison
 - Réduisez la consommation selon la période de l'année.

Utilisation de la fonction Smart Grid

Cette fonctionnalité répond aux notifications envoyées par votre fournisseur d'électricité pour exécuter les tâches consommant beaucoup d'électricité pendant les heures creuses, lorsque la demande est moins élevée. Ces notifications sont appelées « signaux de gestion de la demande ».

Si le réfrigérateur reçoit un signal de gestion de la demande de la part du fournisseur d'électricité, il allume le voyant Grid sur l'écran et contrôle sa consommation d'énergie en fonction du signal. Le réfrigérateur répondra aux signaux reçus aussi longtemps qu'il pourra maintenir son efficacité.

Si le réfrigérateur reçoit un signal de gestion de la demande, il fonctionnera en mode DAL (charge différée) ou TALR (réduction temporaire de la charge).

Charge différée (DAL)

Le réfrigérateur répondra à un signal DAL en réduisant de façon modérée la charge pour la durée de la période indiquée.

Ce mode contrôle les fonctions énergivores telles que l'ajustement du système de refroidissement, le dégivrage et la fabrication de la glace.

- Lorsque le réfrigérateur est en mode DAL, le voyant Grid est allumé sur l'écran du réfrigérateur.
- Le mode DAL est automatiquement désactivé à la fin de la période indiquée par le signal DAL (max. de 4 heures) ou lorsque vous annulez la fonction Smart Grid.

Réduction temporaire de la charge de l'appareil (TALR)

Le réfrigérateur répondra à un signal TALR en réduisant de façon importante la charge pour une courte période, habituellement 10 minutes. Ce mode réduit la consommation électrique en arrêtant le compresseur et en contrôlant les fonctions énergivores comme le dégivrage et le ventilateur.

- Lorsque le réfrigérateur est en mode TALR, le voyant Grid est allumé sur l'écran du réfrigérateur.
- Le mode TALR est automatiquement désactivé à la fin de la période indiquée (max. de 10 minutes) ou lorsque vous annulez la fonction Smart Grid. Ce mode est automatiquement désactivé et le réfrigérateur est ramené à son état normal si vous ouvrez ou fermez une porte ou si le distributeur est utilisé.

Annulation du mode Smart Grid

Si vous voulez que le réfrigérateur ignore le signal de gestion de la demande de votre fournisseur d'électricité, vous pouvez annuler la fonctionnalité Smart Grid en appuyant sur la touche Smart Grid pendant que le réfrigérateur fonctionne en mode Smart Grid.

Lorsque vous annulez la fonction Smart Grid, le réfrigérateur ignore le signal de gestion de la demande et n'est plus commandé par votre fournisseur d'électricité jusqu'au prochain envoi de signal. Vous pouvez aussi annuler la fonction Smart Grid à l'aide de l'application pour téléphone intelligent.

API ouverte de LG

Vous pouvez gérer les fonctions Smart Grid du réfrigérateur intelligent de LG.



Veillez consulter la page de notification de us.smartthinq.com pour plus de détails.

Liste des API

- Réponse à la demande
 - Envoyer un signal de réponse à la demande
- Mode écoénergétique
 - Régler le mode écoénergétique
 - Obtenir l'horaire (programme) du DR/report de dégivrage
- Surveillance de la consommation d'énergie
 - Obtenir l'événement d'ouverture de porte
 - Obtenir la consommation d'énergie

- Reporter la fonction de dégivrage
 - Insérer un événement programmé de report du dégivrage
 - Mettre à jour un événement programmé de report du dégivrage
 - Annuler un événement programmé de report du dégivrage
 - Obtenir le programme du report de dégivrage

Fonctionnalité Smart Diagnosis^{MC}

Cette fonctionnalité est offerte uniquement sur les modèles portant le logo  ou .

Utilisez cette fonctionnalité pour vous aider à diagnostiquer et à résoudre les problèmes qu'éprouve votre appareil.

REMARQUE

- Pour des raisons ne relevant pas du contrôle de LGE, le service pourrait ne pas fonctionner en raison de facteurs externes, notamment la disponibilité du Wi-Fi, la connexion Wi-Fi, la politique de la boutique d'applications ou la disponibilité de l'application.
- La fonctionnalité pourrait être modifiée sans préavis et pourrait avoir une apparence différente selon votre emplacement.

Utilisation de l'application LG ThinQ pour diagnostiquer les problèmes

Si vous éprouvez des problèmes avec votre appareil doté du Wi-Fi, vous pouvez transmettre des données de dépannage par téléphone intelligent à l'aide de l'application **LG ThinQ**.

- Lancez l'application **LG ThinQ** et sélectionnez la fonctionnalité **Smart Diagnosis** qui se trouve dans le menu. Suivez les instructions indiquées dans l'application **LG ThinQ**.

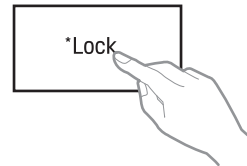
Utilisation de la fonctionnalité de diagnostic sonore pour diagnostiquer les problèmes

Suivez les instructions ci-dessous pour utiliser la fonctionnalité de diagnostic sonore.

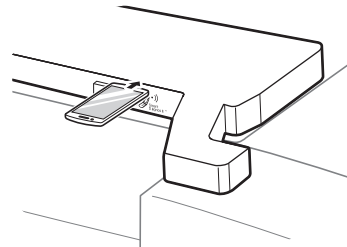
- Lancez l'application **LG ThinQ** et sélectionnez la fonctionnalité **Smart Diagnosis** qui se trouve dans le menu. Suivez les instructions relatives au

diagnostic sonore indiquées dans l'application **LG ThinQ**.

- 1 Maintenez enfoncée la touche **Lock** pendant trois secondes.
 - Si l'affichage a été verrouillé pendant plus de cinq minutes, vous devez désactiver le verrou, puis le réactiver.



- 2 Ouvrez la porte droite du réfrigérateur.
- 3 Approchez le microphone de votre téléphone devant le haut-parleur situé sur la charnière droite de la porte de votre réfrigérateur.



- 4 Maintenez enfoncée la touche **Freezer** pendant trois secondes tout en tenant votre téléphone devant le haut-parleur.



- 5 Après avoir entendu les trois signaux, relâchez la touche **Freezer**.
- 6 Maintenez le téléphone dans cette position jusqu'à ce que la transmission de la tonalité soit terminée. Un compte à rebours s'affichera à l'écran. Lorsque le décompte est terminé et que vous n'entendez plus les tonalités, le diagnostic s'affichera dans l'application.

REMARQUE

- Pour obtenir les meilleurs résultats, évitez de bouger le téléphone pendant la transmission sonore.

ENTRETIEN

Nettoyage

⚠ AVERTISSEMENT

- Utilisez un produit de nettoyage ininflammable. Ne pas le faire pourrait entraîner un incendie, une explosion ou des blessures mortelles.

⚠ MISE EN GARDE

- N'utilisez pas de chiffons ou d'éponges rugueuses pour nettoyer l'intérieur et l'extérieur du réfrigérateur.
- Ne placez pas votre main sur la surface inférieure du réfrigérateur quand vous ouvrez ou fermez les portes.

Conseils généraux de nettoyage

- Les sections du réfrigérateur et du congélateur se dégivrent automatiquement, mais nettoyez les deux sections une fois par mois pour éviter les odeurs.
- Essuyez immédiatement les aliments renversés.
- Débranchez toujours le réfrigérateur ou coupez le courant avant de le nettoyer.
- Enlevez toutes les pièces amovibles, telles que les étagères, les bacs à légumes et fruits, etc.
- Utilisez une éponge propre ou un chiffon et un détergent doux avec de l'eau chaude. N'utilisez pas de produits de nettoyage abrasifs ou forts.
- Lavez à la main, rincez et séchez soigneusement toutes les surfaces.

Extérieur

Appliquer de la cire sur les surfaces métalliques peintes aide à fournir une protection antirouille. Ne cirez pas les pièces en plastique. Cirez les surfaces métalliques peintes au moins deux fois par an avec de la cire pour électroménagers (ou cire autocollante). Appliquez la cire avec un chiffon propre et doux.

Pour les appareils avec un extérieur noir en acier inoxydable, vaporisez du nettoyant à vitres sur un linge en microfibre propre et frottez dans le sens du grain. Ne vaporisez pas de nettoyant à vitres directement sur l'écran. N'utilisez pas de produits de nettoyage abrasifs ou forts.

Pour les appareils avec un extérieur en acier inoxydable normal, frottez dans le sens du grain à l'aide d'un linge en microfibre propre et mouillé.

Essuyez avec du papier essuie-tout pour éviter les marques. Pour éliminer les taches tenaces et les marques laissées par les doigts, versez quelques gouttes de savon à vaisselle liquide dans de l'eau et lavez la surface avec ce mélange, rincez à l'eau chaude, puis séchez. N'utilisez pas de produits de nettoyage abrasifs ou forts.

Parois intérieures

- Laissez le congélateur se réchauffer pour éviter que le chiffon colle.

Pour éliminer les odeurs, vous pouvez laver l'intérieur du réfrigérateur avec un mélange de bicarbonate de soude et d'eau chaude. Mélangez deux cuillères à soupe de bicarbonate de soude à un litre d'eau (26 g de bicarbonate de soude pour un litre d'eau). Assurez-vous que le bicarbonate de soude est complètement dissous afin de ne pas rayer les surfaces du réfrigérateur.

Revêtements et joints de porte

Utilisez une éponge propre ou un chiffon et un détergent doux avec de l'eau chaude. N'utilisez pas de cire de nettoyage, de détergent concentré, d'eau de Javel ou de nettoyant contenant du pétrole sur les pièces en plastique du réfrigérateur.

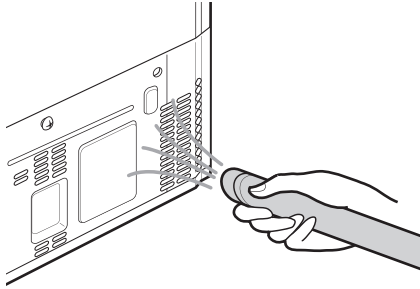
Pièces en plastique (couvercles et panneaux)

Utilisez une éponge propre ou un chiffon et un détergent doux avec de l'eau chaude. N'utilisez pas de produits nettoyants pour vitres, de nettoyants abrasifs ou de liquides inflammables. Ces produits peuvent rayer ou endommager la surface.

Serpentins du condensateur

Utilisez un aspirateur muni d'un embout plat court pour nettoyer le couvercle du condensateur et ses


évents. Ne retirez pas le panneau qui recouvre la zone du condensateur.



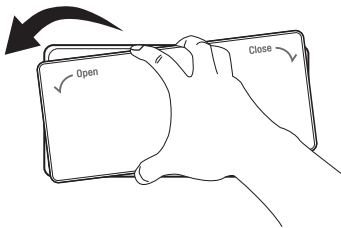
Filtre à air

Remplacement du filtre à air frais

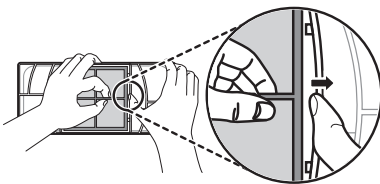
Il est recommandé de changer le filtre à air frais:

- Environ tous les six mois.
- Lorsque l'icône **Replace Filter**  s'allume.
- Filtre à air de remplacement à utiliser : LT120F

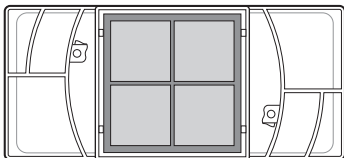
- 1 Tournez le couvercle du filtre dans le sens antihoraire pour relâcher les languettes et retirer le couvercle.



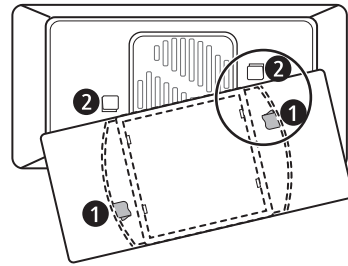
- 2 Pour retirer le filtre qui se trouve à l'intérieur du couvercle, appuyez sur le pourtour du filtre, puis tirez sur sa partie centrale.



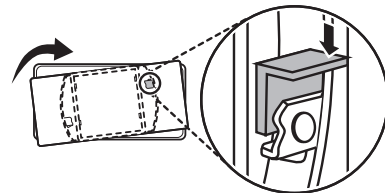
- 3 Placez le nouveau filtre à l'intérieur du couvercle en veillant à ce que le côté sur lequel se trouve le mot **FRONT** soit tourné vers l'extérieur.



- 4 Aligned les languettes ① du couvercle du filtre avec les crochets ② qui se trouvent sur la paroi du réfrigérateur.



- 5 Tournez le filtre à air dans le sens horaire jusqu'à ce que les crochets s'agrippent au couvercle et que celui-ci s'enclenche.



- 6 Maintenez la touche **Fresh Air Filter** enfoncée pendant trois secondes pour réinitialiser le capteur du filtre.



Water Filter (filtre à eau)

Avant de remplacer le filtre à eau


⚠ AVERTISSEMENT

- Afin de réduire les risques d'étouffement, n'autorisez pas les enfants de moins de 3 ans à avoir accès aux petites pièces pendant l'installation de ce produit.
- Afin de réduire le risque associé à l'ingestion de produits contaminants, n'utilisez pas d'eau insalubre ou de qualité inconnue sans désinfection adéquate en amont ou en aval du système. Les systèmes certifiés pour la réduction du nombre de kystes peuvent être utilisés avec de l'eau désinfectée pouvant contenir des kystes filtrables.
- L'utilisation de filtres à eau non autorisés peut entraîner un dysfonctionnement du produit, une fuite d'eau ou des problèmes de qualité de l'eau, qui ne seront pas couverts par la garantie du produit.

⚠ MISE EN GARDE

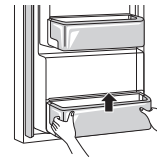
- Lisez et suivez les instructions d'utilisation avant l'installation et l'utilisation de ce système.
- L'installation et l'utilisation DOIVENT être conformes à l'ensemble des codes de plomberie régionaux et locaux en vigueur.
- N'installez pas le produit si la pression d'eau dépasse 120 psi (827 kPa). Si la pression d'eau dépasse 80 psi, vous devez installer une valve de limitation de pression. Faites appel à un plombier si vous ne savez pas comment vérifier la pression d'eau.
- N'installez pas ce produit dans des conditions propices aux coups de bélier. Si de telles conditions sont présentes, vous devez installer un dispositif antibélier. Faites appel à un plombier professionnel si vous avez des doutes sur la manière de contrôler ces conditions.
- N'installez pas ce produit sur des conduites d'alimentation en eau chaude. La température maximale de l'eau pendant le fonctionnement de ce système est de 37,8 °C (100 °F).
- Protégez le filtre contre le gel. Vidangez le filtre lorsque la température descend sous 4,4 °C (40 °F).
- La cartouche du filtre jetable DOIT être remplacée tous les six mois, selon la capacité évaluée, ou plus tôt si le débit ralentit de façon manifeste.
- Protégez le dispositif contre le gel. Retirez la cartouche du filtre lorsque les températures risquent de descendre au-dessous de 0 °C (33 °F).
- N'installez pas ces systèmes dans des régions où les températures ambiantes peuvent dépasser 43,3 °C (110 °F).
- Si un dispositif de prévention du refoulement est installé sur le système, un dispositif permettant de contrôler la pression résultant de la dilatation thermique doit être installé.
- Vérifiez que tous les tuyaux et les raccords sont serrés et ne présentent aucune trace de fuite.

Remplacement du filtre à eau

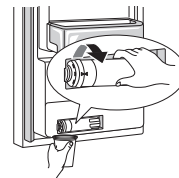
- Remplacez le filtre à eau :
 - Environ tous les six mois.
 - Lorsque l'icône **Replace Filter**  s'allume.
 - Lorsque la sortie d'eau du distributeur diminue.

- Pour acheter un filtre à eau de rechange :
 - Rendez-vous chez un détaillant ou un distributeur
 - Faites une recherche en tapant les mots « filtre à eau » sur le site lg.com.
 - Cartouche de remplacement à utiliser : LT1000P, LT1000PC, LT1000PCS ou ADQ747935**

- 1 Enlevez le bac de la porte.



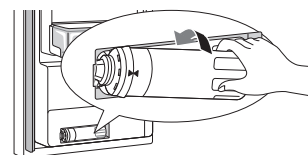
- 2 Enlevez le filtre à eau jetable.



REMARQUE

- Le remplacement du filtre à eau provoque le drainage d'une petite quantité d'eau (environ 25 ml ou 1 oz).
- Enveloppez l'extrémité avant du couvercle du filtre à eau avec un linge pour recueillir l'eau qui s'écoulera. Une fois le filtre à eau retiré, tenez-le en position verticale pour éviter que de l'eau restante s'en échappe.

- 3 Remplacez le filtre par un nouveau filtre à eau. Insérez le nouveau filtre dans la tête du filtre et tournez-le dans le sens horaire jusqu'à ce que la flèche sur le nouveau filtre soit alignée avec la flèche sur la tête du filtre. Remplacez le filtre dans le compartiment.



- 4 Remplacez le bac de la porte.

- 5 Après avoir remplacé le filtre, maintenez la touche **Water Filter** enfoncée pendant trois secondes pour réinitialiser le témoin lumineux.

- 6** Une fois que le filtre à eau a été remplacé, faites couler environ neuf litres d'eau (ce qui prendra environ cinq minutes) pour éliminer l'air et les contaminants du système.

REMARQUE

- Ne faites pas couler les neuf litres d'eau de façon continue. Appuyez et relâchez la touche du distributeur pour des cycles de 30 secondes en position de marche et de 60 secondes en position d'arrêt.

⚠ MISE EN GARDE

- LG vous recommande fortement d'utiliser des filtres à eau autorisés par LG pour éviter tout problème lié à la qualité de l'eau, aux fuites d'eau et au mauvais fonctionnement de l'appareil.

Pour plus de renseignements, appelez au


- 1 800 243-0000 (É.-U.)
- 1 888 542-2623 (Canada)

Fiche technique des performances

Modèle : LT1000P, LT1000PC, LT1000PCS

Code de dénomination commerciale du système NSF : MDJ64844601

La concentration des substances indiquées présentes dans l'eau entrant dans le circuit a été réduite à une concentration inférieure ou égale à la limite autorisée pour l'eau quittant le circuit, selon les spécifications NSF/ANSI des normes 42, 53 et 401.

	Le système a été soumis à des essais et est certifié en vertu de NSF International, conformément aux normes 42, 53 et 401 de la NSF/ANSI pour ce qui est de la réduction de la concentration des substances mentionnées ci-dessous.
--	---

Réduction des substances	Concentration moyenne	Concentration visée par NSF	% de la diminution moyenne	Concentration moyenne d'eau dans le produit	Concentration d'eau maximale permise dans le produit	Exigences NSF de diminution
Goût et odeur de chlore	2.0 µg/L	2.0 µg/L ± 10%	> 97,5 %	0.050 µg/L	s. o.	≥ 50.00%
Particules nominales de classe I, ≥ 0,5 à < 1,0 µm	12 000 000 pts/ml	Au moins 10 000 particules/ml	99,80%	24 000 pts/ml	s. o.	≥ 85.00%
Amiante	180 MFL	10 ⁷ à 10 ⁸ MFL; longueur des fibres supérieures à 10 µg/Lin	> 99,00%	< 1 MFL	s. o.	≥ 99.00%
Atrazine	8.5 µg/L	9.0 µg/L ± 10%	> 94,10%	0.500 µg/L	3.0 µg/L	s.o.
Benzène	15.0 µg/L	15.0 µg/L ± 10%	> 96,60%	0.510 µg/L	5.0 µg/L	s.o.
Carbofuran	74.0 µg/L	80.0 µg/L ± 10%	98,30%	1.258 µg/L	40 µg/L	s.o.
Lindane	1.9 µg/L	2.0 µg/L ± 10%	> 99,00%	0.019 µg/L	0.2 µg/L	s.o.
P-Dichlorobenzène	230.0 µg/L	225.0 µg/L ± 10%	> 99,80%	0.460 µg/L	75.0 µg/L	s.o.
2,4-D	210.0 µg/L	210.0 µg/L ± 10%	> 99,90%	0.210 µg/L	70.0 µg/L	s.o.
Plomb pH @ 6,5	140.0 µg/L	150.0 µg/L ± 10%	99,60%	0.560 µg/L	10.0 µg/L	s.o.
Plomb pH @ 8,5	150.0 µg/L	150.0 µg/L ± 10%	> 99,70%	<0.500 µg/L	10.0 µg/L	s.o.
Mercure à pH 6,5	5.9 µg/L	6.0 µg/L ± 10%	91,00%	0.531 µg/L	2.0 µg/L	s.o.
Mercure à pH 8,5	5.6 µg/L	6.0 µg/L ± 10%	92,5%	0.420 µg/L	2.0 µg/L	s.o.
Sporocyste*	100 000 sporocystes/l	Au minimum 50 000 sporocystes/L	> 99,99%	10 sporocystes/l	s. o.	≥ 99.95%
Aténolol	240 ng/l	200 ± 40 % ng/l	> 95,50 %	10,80 ng/l	30 ng/l	s.o.
Carbamazépine	1600 ng/l	1400 ± 40 % ng/l	98,40%	25,60 ng/l	200 ng/l	s.o.
DEET	1600 ng/l	1400 ± 40 % ng/l	97,10%	46,40 ng/l	200 ng/l	s.o.
Triméthoprim	170 ng/l	140 ± 40 % ng/l	> 96,80%	5,44 ng/l	20 ng/l	s.o.
Linuron	160 ng/l	140 ± 40 % ng/l	> 96,60%	5,44 ng/l	20 ng/l	s.o.

Réduction des substances	Concentration moyenne	Concentration visée par NSF	% de la diminution moyenne	Concentration moyenne d'eau dans le produit	Concentration d'eau maximale permise dans le produit	Exigences NSF de diminution
Phénytoïne	200 ng/l	200 ± 40 % ng/l	> 94,80%	10,40 ng/l	30 ng/l	s.o.
Ibuprofène	400 ng/l	400 ± 40 % ng/l	> 94,50%	22,00 ng/l	60 ng/l	s.o.
Naproxen	140 ng/l	140 ± 40 % ng/l	> 96,10%	5,46 ng/l	20 ng/l	s.o.
Estrone	120 ng/l	140 ± 40 % ng/l	> 96,10%	4,68 ng/l	20 ng/l	s.o.
Bisphénol A	2 000 ng/l	2000 ± 40 % ng/l	> 98,90%	22,00 ng/l	300 ng/l	s.o.
Nonylphénol	1600 ng/l	1400 ± 40 % ng/l	> 97,10%	46,40 ng/l	200 ng/l	s.o.

- Basé sur l'utilisation des ocystes *Cryptosporidium parvum*.

Lignes directrices pour l'application / Paramètres de l'alimentation en eau

Débit d'utilisation	1,9 l/min (0,5 gal/min)
Alimentation en eau	Réseau municipal ou puits privé - Eau potable
Pression de l'eau	20 à 120 psi (138 à 827 kPa)
Température de l'eau	33 °F – 100 °F (0,6 °C – 37,8°C)
Capacité	757 litres (200 gallons)

Il est essentiel de suivre les recommandations du fabricant relatives à l'installation, à l'entretien et au remplacement du filtre afin que l'appareil fonctionne conformément aux performances annoncées.

REMARQUE

- Les tests ont été effectués en laboratoire et le rendement peut varier en situation d'utilisation réelle.

Pour obtenir de l'information sur les filtres à eau de rechange, rendez-vous chez un détaillant ou un distributeur ou recherchez les mots « filtre à eau » sur le site lg.com.

Pour obtenir de l'aide supplémentaire, communiquez avec le centre d'information à la clientèle de LG Electronics.

É.-U. : 1 800 243-0000

Canada: 1-888-542-2623

Cartouche de remplacement: LT1000P, LT1000PC, LT1000PCS ou ADQ747935**

LG est une marque de commerce de LG Corp.

NSF est une marque commerciale de NSF International.

Fabriqué par LG Electronics inc. :

170, Sungsanpaechoungro, Seongsan-gu, Gyeongsangnam-do, RÉPUBLIQUE DE CORÉE

DÉPANNAGE

FAQ

Foire aux questions

Q : Quelles sont les températures optimales pour mon réfrigérateur et mon congélateur?

R : Le réglage par défaut du congélateur est de 0 °F (-18 °C). Le réglage par défaut du réfrigérateur est de 37 °F (3 °C). Ajustez ces réglages au besoin pour conserver les aliments à la température désirée. Le lait doit être froid quand il est rangé sur l'étagère intérieure du réfrigérateur. La crème glacée doit être ferme, et les glaçons ne doivent pas fondre dans le congélateur. Pour passer d'un affichage en degrés Fahrenheit à un affichage en degrés Celsius, maintenez enfoncées les touches **Freezer** et **Refrigerator** jusqu'à ce que vous entendiez un signal sonore et que les réglages affichés changent.

Q : Comment puis-je régler la température du réfrigérateur et du congélateur?

R : Maintenez enfoncée la touche **Refrigerator** ou **Freezer** du panneau de commande jusqu'à ce que la température désirée s'affiche. Les chiffres s'afficheront en ordre décroissant et recommenceront leur cycle si vous maintenez la touche enfoncée.

Q : Quel est ce bourdonnement que le réfrigérateur émet de temps à autre?

R : Ce son peut être émis si le réfrigérateur n'est pas alimenté en eau alors que la machine à glaçons est allumée. Si l'alimentation en eau n'est pas raccordée à l'arrière de votre réfrigérateur, vous devriez éteindre la machine à glaçons.

Q : Pourquoi le plateau de la machine à glaçons semble-t-il courbé?

R : Il s'agit d'un état normal du cycle de la machine à glaçons. Le plateau de la machine à glaçons peut sembler à niveau ou légèrement incliné. Le changement de position aide au processus de congélation.

Q : Mon réfrigérateur est sous tension et les commandes fonctionnent, mais il ne refroidit pas et l'afficheur indique « OFF » (voir ci-dessous). Quel est le problème?

R : Le réfrigérateur est en mode Présentation. Ce mode désactive le refroidissement dans les compartiments du réfrigérateur et du congélateur afin d'économiser l'énergie lorsque l'appareil est présenté en magasin. Lorsque ce mode est activé, l'indication OFF apparaît sur l'afficheur et celui-ci s'éteint après 20 secondes. En laissant une des portes du réfrigérateur ouverte, appuyez 3 fois de suite sur le bouton **Ice Plus** tout en appuyant sur le bouton **Refrigerator**. Le panneau de commande émet un signal sonore et les réglages de température s'affichent pour confirmer que le mode Présentation est désactivé. Utilisez la même procédure pour activer le mode Présentation.



Avant d'appeler le réparateur

Consultez cette section du manuel avant de demander un service d'entretien; ce faisant, vous économiserez temps et argent.

Refroidissement

Symptômes	Causes possibles et solutions
Les compartiments du réfrigérateur et du congélateur ne refroidissent pas.	La commande du réfrigérateur est réglée sur ARRÊT (sur certains modèles). <ul style="list-style-type: none"> Réglez la commande sur MARCHE. Veuillez consulter la section Panneau de contrôle pour un bon ajustement des températures.
	Le réfrigérateur est réglé sur le mode Présentation. <ul style="list-style-type: none"> Le mode Présentation permet un fonctionnement normal de l'éclairage et de l'affichage du panneau de contrôle, mais désactive le refroidissement pour économiser l'énergie durant l'exposition en magasin. Voir la FAQ pour les instructions de désactivation du mode Présentation.
	Le réfrigérateur est dans un cycle de dégivrage. <ul style="list-style-type: none"> Durant le cycle de dégivrage, la température de chaque compartiment peut augmenter légèrement. Attendez 30 minutes, puis vérifiez que la température est revenue à la normale une fois le cycle de dégivrage terminé.
	Le réfrigérateur vient d'être installé. <ul style="list-style-type: none"> Chaque compartiment peut mettre jusqu'à 24 h pour atteindre la température visée.
	Le réfrigérateur a récemment été déplacé. <ul style="list-style-type: none"> Si le réfrigérateur a été entreposé ou couché pendant une longue période, celui-ci doit être placé à la verticale pendant 24 h avant d'être mis sous tension.
Le système de refroidissement est trop puissant.	Le réfrigérateur remplace un ancien modèle. <ul style="list-style-type: none"> Les réfrigérateurs modernes nécessitent un temps de fonctionnement plus long, mais consomment moins d'énergie grâce à une technologie plus efficace.
	Le réfrigérateur vient d'être branché ou remis sous tension. <ul style="list-style-type: none"> Le réfrigérateur peut mettre jusqu'à 24 h pour refroidir complètement.
	La porte a souvent été ouverte, ou beaucoup d'aliments ou des aliments chauds y ont été placés. <ul style="list-style-type: none"> L'ajout d'aliments ou l'ouverture de la porte réchauffe le réfrigérateur, ce qui demande au compresseur de fonctionner plus longtemps pour refroidir les compartiments. Afin de conserver l'énergie, essayez de sortir tout ce dont vous avez besoin du réfrigérateur en une seule fois, rangez vos aliments de manière organisée afin de les trouver facilement et fermez la porte dès que les aliments sont sortis. (Consultez le Guide de conservation des aliments.)
	Les portes ne sont pas complètement fermées. <ul style="list-style-type: none"> Poussez fermement les portes. Si elles ne se ferment pas complètement, consultez la partie « Les portes ne se ferment pas complètement ou s'ouvrent toutes seules » dans la section Dépannage.
	Le réfrigérateur est installé dans un environnement chaud. <ul style="list-style-type: none"> Le compresseur fonctionnera plus longtemps dans un environnement chaud. Lorsque la température ambiante est normale (70 °F ou 21 °C), votre compresseur fonctionne entre 40 % et 80 % du temps. Si la pièce est plus chaude, attendez-vous à ce qu'il fonctionne encore plus. Le réfrigérateur ne doit pas être mis en fonction lorsque la température ambiante est supérieure à 43 °C (110 °F).
	Le condensateur ou le panneau arrière est obstrué. <ul style="list-style-type: none"> Utilisez un aspirateur muni d'un embout plat court pour nettoyer le couvercle du condenseur et ses événements. Ne retirez pas le panneau qui recouvre la zone du condenseur.

Symptômes	Causes possibles et solutions
Accumulation d'humidité à l'intérieur.	Les portes sont souvent ouvertes ou restent ouvertes longtemps. <ul style="list-style-type: none"> • Lorsque les portes sont souvent ouvertes ou restent ouvertes longtemps, de l'air chaud et humide entre à l'intérieur du compartiment. La température et le niveau d'humidité augmentent ainsi à l'intérieur du compartiment. Pour diminuer cet effet, réduisez la fréquence et la durée d'ouverture des portes.
	Les portes ne sont pas fermées correctement. <ul style="list-style-type: none"> • Si elles ne se ferment pas complètement, consultez la section Les portes ne se ferment pas complètement ou s'ouvrent toutes seules dans la partie Pièces et caractéristiques de la section Dépannage.
	Conditions ambiantes humides. <ul style="list-style-type: none"> • Des conditions ambiantes humides font entrer plus d'humidité dans les compartiments lorsque les portes sont ouvertes, ce qui génère de la condensation ou du givre. Maintenir un niveau d'humidité raisonnable dans la maison aidera à contrôler la quantité d'humidité qui peut entrer dans les compartiments.
	Cycle de dégivrage récemment effectué. <ul style="list-style-type: none"> • Pendant le cycle de dégivrage, la température de chaque compartiment peut augmenter légèrement et de la condensation peut se former sur la paroi arrière. Une fois le cycle de dégivrage terminé, attendez 30 minutes et vérifiez que la température a bien été rétablie.
	Les aliments ne sont pas emballés correctement. <ul style="list-style-type: none"> • Les aliments qui sont rangés à découvert ou sans emballage et les contenants humides peuvent entraîner une accumulation d'humidité dans chaque compartiment. Essuyez tous les contenants et rangez les aliments dans des emballages scellés pour éviter la condensation et le givre.
Les aliments gèlent dans le compartiment du réfrigérateur.	Des aliments à teneur élevée en eau ont été placés à proximité d'une bouche d'aération. <ul style="list-style-type: none"> • Placez les aliments à haute teneur en eau loin des bouches d'aération.
	La température du réfrigérateur est mal réglée. <ul style="list-style-type: none"> • Si la température est trop froide, ajustez-la une unité à la fois et attendez que la température se stabilise. Pour plus d'information, reportez-vous à la section Réglage des commandes.
	Le réfrigérateur est installé dans un endroit froid. <ul style="list-style-type: none"> • Lorsque le réfrigérateur fonctionne dans des conditions inférieures à 41 °F (5 °C), les aliments peuvent geler dans le compartiment du réfrigérateur. Le réfrigérateur ne doit pas être utilisé à une température inférieure à 55 °F (13 °C).
Les compartiments du réfrigérateur et du congélateur sont trop froids.	La température n'est pas réglée correctement. <ul style="list-style-type: none"> • Si la température est trop basse, ajustez les réglages une position à la fois et attendez que la température se stabilise. Consultez le Panneau de commande pour plus de renseignements à ce sujet.
Du givre ou des cristaux de glace se forment sur les aliments surgelés (à l'intérieur de l'emballage hermétique).	La condensation issue d'aliments à haute teneur en eau a gelé à l'intérieur de l'emballage. <ul style="list-style-type: none"> • Ce phénomène est normal pour des aliments à haute teneur en eau.
	Les aliments ont été laissés dans le congélateur pendant une longue période. <ul style="list-style-type: none"> • Ne stockez pas des aliments à haute teneur en eau dans le congélateur pendant une longue période.

Symptômes	Causes possibles et solutions
Du givre ou des cristaux de glace se forment sur les aliments congelés (à l'extérieur de l'emballage).	La porte est ouverte trop fréquemment ou trop longtemps. <ul style="list-style-type: none"> Lorsque les portes sont ouvertes trop fréquemment ou trop longtemps, de l'air chaud et humide entre dans le compartiment. Ceci accroît la température et l'humidité à l'intérieur du compartiment. Lorsqu'il y a plus d'humidité, cela entraîne la formation de givre et de condensation. Pour atténuer l'effet, ouvrez la porte moins souvent ou moins longtemps.
	La porte ne se ferme pas correctement. <ul style="list-style-type: none"> Consultez la partie « Les portes ne se ferment pas complètement ou s'ouvrent toutes seules » dans la section « Dépannage ».
Les compartiments du réfrigérateur et du congélateur sont trop chauds.	Le réfrigérateur vient d'être installé. <ul style="list-style-type: none"> Chaque compartiment peut mettre jusqu'à 24 h pour atteindre la température visée.
	Les bouches d'aération sont obstruées. L'air froid circule du congélateur vers les aliments frais et ainsi de suite par les bouches d'aération dans la paroi entre les deux sections. <ul style="list-style-type: none"> Trouvez l'emplacement des bouches d'aération en détectant le mouvement de l'air à l'aide de votre main, puis déplacez tous les éléments qui les obstruent et empêchent une bonne circulation d'air. Réorganisez les éléments afin de permettre la libre circulation de l'air à l'intérieur du compartiment.
	Les portes sont souvent ouvertes ou restent ouvertes longtemps. <ul style="list-style-type: none"> Lorsque les portes sont souvent ouvertes ou restent ouvertes longtemps, de l'air chaud et humide entre à l'intérieur du compartiment. La température et le niveau d'humidité augmentent ainsi à l'intérieur du compartiment. Pour diminuer cet effet, réduisez la fréquence et la durée d'ouverture des portes.
	Le réfrigérateur est installé dans un endroit chaud. <ul style="list-style-type: none"> Le réfrigérateur ne doit pas être mis en fonction lorsque la température ambiante est supérieure à 43 °C (110 °F).
	Beaucoup d'aliments ou des aliments chauds ont été placés dans l'un des compartiments. <ul style="list-style-type: none"> L'ajout d'aliments augmente la température du compartiment, ce qui entraîne le déclenchement du système de refroidissement. Pour limiter cet effet, laissez refroidir les aliments chauds à température ambiante avant de les placer dans le réfrigérateur.
	Les portes ne sont pas fermées correctement. <ul style="list-style-type: none"> Consultez la partie « Les portes ne se ferment pas complètement ou s'ouvrent toutes seules » dans la section « Dépannage ».
	La température n'est pas réglée correctement. <ul style="list-style-type: none"> Si la température est trop élevée, ajustez les réglages une position à la fois et attendez que la température se stabilise.
	Le cycle de dégivrage vient de se terminer. <ul style="list-style-type: none"> Durant le cycle de dégivrage, la température de chaque compartiment peut augmenter légèrement et des signes de condensation peuvent apparaître sur la paroi arrière. Attendez 30 minutes, puis vérifiez que la température est revenue à la normale une fois le cycle de dégivrage terminé.

Eau et glace

Symptômes	Causes possibles et solutions
<p>La machine à glaçons ne produit pas assez de glace.</p>	<p>La demande dépasse la capacité de production de glace.</p> <ul style="list-style-type: none"> • La machine à glaçons peut produire approximativement de 70 à 184 glaçons par période de 24 heures.
	<p>L'entrée d'eau du domicile n'est pas branchée, la valve n'est pas complètement ouverte ou elle est bouchée.</p> <ul style="list-style-type: none"> • Raccordez le réfrigérateur à une alimentation en eau froide avec une pression adéquate et ouvrez complètement la valve d'eau. Si le problème persiste, il sera peut-être nécessaire de faire appel à un plombier.
	<p>Le filtre à eau est saturé.</p> <ul style="list-style-type: none"> • Il est recommandé de changer le filtre à eau : Environ tous les six mois. Lorsque l'indicateur de filtre à eau s'allume. Lorsque la sortie d'eau du distributeur diminue. Lorsque les cubes de glace sont plus petits que la normale.
	<p>La pression d'entrée d'eau du domicile est trop faible.</p> <ul style="list-style-type: none"> • La pression de l'eau doit être comprise entre 20 et 120 psi pour les modèles sans filtre et entre 40 et 120 psi pour les modèles avec filtre. Si le problème persiste, il sera peut-être nécessaire de faire appel à un plombier.
	<p>Un système de filtrage par osmose inverse est utilisé.</p> <ul style="list-style-type: none"> • Les systèmes de filtration par osmose inverse peuvent réduire la pression de l'eau au-dessous de la valeur minimale et occasionner un dysfonctionnement de la machine à glaçons. (Veuillez consulter la section Raccordement de la conduite d'eau.)
	<p>Le tuyau reliant le réfrigérateur au robinet d'approvisionnement est plié.</p> <ul style="list-style-type: none"> • Le tuyau peut se plier lorsque le réfrigérateur est déplacé lors de l'installation ou du nettoyage, provoquant une réduction du débit d'eau. Redressez ou réparez la conduite d'alimentation en eau et disposez-la de manière à éviter qu'elle se plie de nouveau.
	<p>Les portes sont souvent ouvertes ou restent ouvertes longtemps.</p> <ul style="list-style-type: none"> • Lorsque les portes de l'appareil sont souvent ouvertes, l'air ambiant va réchauffer le réfrigérateur et empêcher le maintien de la température programmée de l'appareil. Abaisser la température programmée peut résoudre ce problème, tout comme le fait de ne pas ouvrir les portes aussi fréquemment.
	<p>Les portes ne sont pas complètement fermées.</p> <ul style="list-style-type: none"> • Si les portes ne sont pas correctement fermées, la production de glace sera affectée. Consultez la section Les portes ne se ferment pas complètement ou s'ouvrent toutes seules dans la partie Pièces et caractéristiques de la section Dépannage pour en savoir plus à ce sujet.
	<p>Le réglage de la température du congélateur est trop élevé.</p> <ul style="list-style-type: none"> • Pour assurer une production normale de glace, la température recommandée du compartiment du congélateur est de 0 °F. Si la température du congélateur est plus élevée, la production de glace sera affectée.

Symptômes	Causes possibles et solutions
La machine à glaçons ne produit pas de glace.	Le réfrigérateur a été installé récemment ou la machine à glaçons vient d'être branchée. <ul style="list-style-type: none"> • Jusqu'à 24 heures peuvent être nécessaires pour que chaque compartiment atteigne la température désirée et que la machine à glaçons se mette à fonctionner.
	La machine à glaçons n'est pas en marche. <ul style="list-style-type: none"> • Vérifiez que la touche Marche/Arrêt de la machine à glaçons est réglée sur Marche.
	Le capteur de glaçons est obstrué. <ul style="list-style-type: none"> • La présence de substances étrangères ou de givre sur le capteur de glaçons peut interrompre la production de glaçons. Assurez-vous que la zone du capteur reste toujours propre pour garantir un bon fonctionnement.
	Le réfrigérateur n'est pas raccordé à une alimentation en eau ou la valve n'est pas ouverte. <ul style="list-style-type: none"> • Raccordez le réfrigérateur à l'alimentation en eau et ouvrez complètement la valve.
	Le dispositif d'arrêt automatique (levier) de la machine à glaçons est obstrué. <ul style="list-style-type: none"> • Si votre machine à glaçons est dotée d'un levier d'arrêt automatique, assurez-vous que ce dernier peut être déplacé librement. Si votre machine à glaçons est dotée d'un capteur de contrôle de la production de glace, assurez-vous que l'espace entre les deux capteurs est dégagé.
	Un système de filtration d'eau par osmose inverse est raccordé à l'alimentation en eau froide. <ul style="list-style-type: none"> • Les systèmes de filtration par osmose inverse peuvent réduire la pression de l'eau au-dessous de la valeur minimale et occasionner un dysfonctionnement de la machine à glaçons. (Veuillez consulter la section Raccordement de la conduite d'eau.)
La glace goûte ou sent mauvais.	L'entrée d'eau contient des minéraux comme du soufre. <ul style="list-style-type: none"> • L'installation d'un filtre à eau peut être nécessaire pour éliminer les problèmes de goût et d'odeur. REMARQUE : Dans certains cas, un filtre à eau peut se révéler insuffisant. Il n'est pas toujours possible d'éliminer les minéraux, les goûts ou les odeurs présents dans toutes les sources d'alimentation en eau.
	La machine à glaçons vient d'être installée. <ul style="list-style-type: none"> • Les glaçons qui sont stockés depuis longtemps rapetissent, deviennent troubles ou peuvent avoir mauvais goût. Jetez la vieille glace et fabriquez-en une nouvelle réserve.
	Les aliments n'ont pas été rangés correctement dans un des compartiments. <ul style="list-style-type: none"> • Remballer les aliments. L'odeur des aliments peut se fixer à la glace si ceux-ci ne sont pas emballés correctement.
	L'intérieur du réfrigérateur doit être nettoyé. <ul style="list-style-type: none"> • Veuillez consulter la section Entretien pour en savoir plus à ce sujet.
	Le bac à glace doit être nettoyé. <ul style="list-style-type: none"> • Videz et lavez le bac (jetez les vieux glaçons). Assurez-vous que le bac est complètement sec avant de le réinstaller.
La machine à glaçons produit trop de glace.	Le dispositif d'arrêt automatique (levier et capteur) de la machine à glaçons est obstrué. <ul style="list-style-type: none"> • Videz le bac à glaçons. Si votre machine à glaçons est dotée d'un levier d'arrêt automatique, assurez-vous que ce dernier peut être déplacé librement. Si votre machine à glaçons est dotée d'un capteur de contrôle de la production de glace, assurez-vous que l'espace entre les deux capteurs est dégagé. Réinstallez le bac à glaçons et vérifiez le bon fonctionnement de la machine au bout de 24 heures.

Symptômes	Causes possibles et solutions
Les glaçons ne peuvent être distribués.	Êtes-vous incapable d'entendre le bruit de la glace qui tombe dans le bac? <ul style="list-style-type: none"> À partir du panneau de commande, sélectionnez en alternance le mode pour les cubes de glace et celui pour la glace concassée afin de distribuer la glace.
	Les portes ne sont pas complètement fermées. <ul style="list-style-type: none"> La distribution de glace ne fonctionne pas si les portes du réfrigérateur sont ouvertes.
	Le distributeur n'est pas utilisé fréquemment. <ul style="list-style-type: none"> L'utilisation peu fréquente du distributeur de glace fait que les glaçons se collent avec le temps, ce qui empêche leur distribution. Vérifiez que des glaçons ne sont pas agglutinés ou collés dans le bac. Si c'est le cas, cassez les glaçons pour permettre le bon fonctionnement du distributeur.
	La glissière de distribution est obstruée par le givre ou des morceaux de glace. <ul style="list-style-type: none"> Enlevez le bac et nettoyez la glissière à l'aide d'un ustensile en plastique pour supprimer le givre ou les morceaux de glace. La distribution de glace en cubes peut également aider à prévenir la formation de givre ou de morceaux de glace.
	L'affichage du distributeur est désactivé. <ul style="list-style-type: none"> Maintenez la touche de verrouillage pendant enfoncée trois secondes pour déverrouiller le panneau de commande et le distributeur.
	Le bac à glaçons est vide. <ul style="list-style-type: none"> Jusqu'à 24 heures peuvent être nécessaires pour que chaque compartiment atteigne la température désirée et que la machine à glaçons se mette à fonctionner. Assurez-vous que le dispositif d'arrêt automatique (levier et capteur) n'est pas obstrué. Une fois que la réserve de glace dans le bac est complètement épuisée, la fabrication de glace supplémentaire peut prendre jusqu'à 90 minutes, et jusqu'à environ 24 h pour le remplissage complet du bac.
L'eau s'écoule lentement du distributeur.	Le filtre à eau est saturé. <ul style="list-style-type: none"> Il est recommandé de changer le filtre à eau : Environ tous les six mois. Lorsque l'indicateur de filtre à eau s'allume. Lorsque la sortie d'eau du distributeur diminue. Lorsque les cubes de glace sont plus petits que la normale.
	Un système de filtrage par osmose inverse est utilisé. <ul style="list-style-type: none"> Les systèmes de filtrage par osmose inverse peuvent réduire la pression de l'eau au-dessous de la valeur minimale et occasionner un dysfonctionnement de la machine à glaçons. Si le problème persiste, il sera peut-être nécessaire de faire appel à un plombier.
	La pression d'entrée d'eau du domicile est trop faible. <ul style="list-style-type: none"> La pression de l'eau doit être comprise entre 20 et 120 psi pour les modèles sans filtre et entre 40 et 120 psi pour les modèles avec filtre. Si le problème persiste, il sera peut-être nécessaire de faire appel à un plombier.

Symptômes	Causes possibles et solutions
L'eau ne peut être distribuée.	<p>Le réfrigérateur vient d'être installé ou la conduite d'eau vient d'être raccordée.</p> <ul style="list-style-type: none"> Faites couler environ neuf litres d'eau (ce qui prendra environ cinq minutes) pour éliminer l'air et les contaminants du système. Toutefois, ne faites pas couler les neuf litres d'eau de façon continue. Appuyez et relâchez la touche du distributeur pour des cycles de 30 secondes en position de marche et de 60 secondes en position d'arrêt.
	<p>Le panneau du distributeur est désactivé.</p> <ul style="list-style-type: none"> Maintenez enfoncée la touche Lock pendant trois secondes pour déverrouiller le panneau de commande et le distributeur.
	<p>Le distributeur n'est pas réglé pour la distribution d'eau.</p> <ul style="list-style-type: none"> Le distributeur peut être réglé pour de la glace ou de l'eau. Assurez-vous que le panneau de commande est réglé à la bonne fonction. Appuyez sur la touche Water du panneau de commande pour distribuer de l'eau.
	<p>Les portes du réfrigérateur ou du congélateur ne sont pas fermées correctement.</p> <ul style="list-style-type: none"> La distribution d'eau ne fonctionne pas si les portes du réfrigérateur sont ouvertes.
	<p>Le filtre à eau vient d'être enlevé ou remplacé.</p> <ul style="list-style-type: none"> Une fois que le filtre à eau a été remplacé, faites couler environ neuf litres d'eau (ce qui prendra environ cinq minutes) pour éliminer l'air et les contaminants du système. Toutefois, ne faites pas couler les neuf litres d'eau de façon continue. Appuyez et relâchez la touche du distributeur pour des cycles de 30 secondes en position de marche et de 60 secondes en position d'arrêt.
	<p>Le tuyau reliant le réfrigérateur au robinet d'approvisionnement est plié.</p> <ul style="list-style-type: none"> La tuyauterie peut plier lorsque le réfrigérateur est déplacé lors de l'installation ou du nettoyage. Cela peut réduire le débit d'eau. Redressez ou réparez la conduite d'alimentation en eau et faites en sorte qu'elle ne puisse plus être pliée à l'avenir.
	<p>L'entrée d'eau du domicile n'est pas raccordée, la valve n'est pas complètement ouverte ou elle est bouchée.</p> <ul style="list-style-type: none"> Raccordez le réfrigérateur à l'alimentation en eau et ouvrez complètement la valve. Si le problème persiste, il sera peut-être nécessaire de faire appel à un plombier.
L'eau qui coule est chaude.	<p>Le réfrigérateur vient d'être installé.</p> <ul style="list-style-type: none"> Laissez le réfrigérateur tourner pendant 24 h après l'installation pour permettre au réservoir de stockage de l'eau de refroidir complètement.
	<p>Le distributeur d'eau a été utilisé récemment et le réservoir est vide.</p> <ul style="list-style-type: none"> Selon votre modèle, la capacité du réservoir de stockage est comprise entre 600 et 900 ml.
	<p>Le distributeur n'a pas été utilisé depuis plusieurs heures.</p> <ul style="list-style-type: none"> Si le distributeur n'a pas été utilisé pendant plusieurs heures, le premier verre d'eau peut être tiède. Jetez les premiers 300 ml.
	<p>Le réfrigérateur est branché à la conduite d'eau chaude.</p> <ul style="list-style-type: none"> Assurez-vous que le réfrigérateur est raccordé à la conduite d'eau froide. <p>AVERTISSEMENT : Le distributeur de glace peut être endommagé si vous raccordez le réfrigérateur à une conduite d'eau chaude.</p>

Symptômes	Causes possibles et solutions
L'eau goûte ou sent mauvais.	L'entrée d'eau contient des minéraux comme du soufre. <ul style="list-style-type: none"> L'installation d'un filtre à eau peut être nécessaire pour éliminer les problèmes de goût et d'odeur.
	Le filtre à eau est saturé. <ul style="list-style-type: none"> Il est recommandé de changer le filtre à eau : Environ tous les six mois. Lorsque l'indicateur de filtre à eau s'allume. Lorsque la sortie d'eau du distributeur diminue. Lorsque les cubes de glace sont plus petits que la normale.
	Le réfrigérateur vient d'être installé. <ul style="list-style-type: none"> Faites couler environ neuf litres d'eau (ce qui prendra environ cinq minutes) pour éliminer l'air et les contaminants du système. Toutefois, ne faites pas couler les neuf litres d'eau de façon continue. Appuyez et relâchez la touche du distributeur pour des cycles de 30 secondes en position de marche et de 60 secondes en position d'arrêt.

Pièces et caractéristiques

Symptômes	Causes possibles et solutions
Les portes ne se ferment pas complètement ou s'ouvrent toutes seules.	Des aliments empêchent la fermeture de la porte. <ul style="list-style-type: none"> Rangez les aliments d'une autre façon pour dégager la porte et ses étagères.
	Le bac à glaçons, le couvercle du bac à légumes et fruits, les bacs, les étagères, les bacs de la porte ou les paniers ne sont pas positionnés correctement. <ul style="list-style-type: none"> Poussez les bacs jusqu'au fond et placez le couvercle du bac à légumes et fruits, les bacs, les étagères et les paniers dans leur position normale. Veuillez consulter la section Fonctionnement pour en savoir plus à ce sujet.
	Les portes ont été enlevées durant l'installation de l'appareil et n'ont pas été correctement remises en place. <ul style="list-style-type: none"> Enlevez et repositionnez les portes de la manière décrite dans la section Retrait et assemblage des portes et des tiroirs
	Le réfrigérateur n'est pas d'aplomb. <ul style="list-style-type: none"> Veuillez consulter la section Nivellement et alignement de la porte dans la partie Installation pour positionner le réfrigérateur de façon adéquate.
Les portes sont difficiles à ouvrir.	Les joints sont sales ou collants. <ul style="list-style-type: none"> Nettoyez les joints et leurs surfaces de contact. Frottez un chiffon avec du lustre ou de la cire pour meubles sur les joints après les avoir nettoyés.
	La porte vient d'être refermée. <ul style="list-style-type: none"> Lorsque vous ouvrez la porte, de l'air tiède entre dans le réfrigérateur. À mesure que l'air tiède se refroidit, il peut créer un effet d'aspiration. Si la porte est difficile à ouvrir, veuillez patienter une minute pour permettre à la pression de l'air de s'équilibrer, puis vérifiez que la porte s'ouvre plus facilement.
Le réfrigérateur vacille ou paraît instable.	Les pieds de nivellement ne sont pas correctement ajustés. <ul style="list-style-type: none"> Veuillez consulter la section Nivellement et alignement de la porte.
	Le sol n'est pas égal. <ul style="list-style-type: none"> Il peut être nécessaire de placer des cales sous les pieds de nivellement pour terminer l'installation.
L'éclairage ne fonctionne pas.	Les lumières à DEL à l'intérieur ne fonctionnent pas. <ul style="list-style-type: none"> La lampe du compartiment du réfrigérateur est une diode d'éclairage interne, et son entretien doit être réalisé par un professionnel.

Symptômes	Causes possibles et solutions
L'odeur du réfrigérateur est inhabituelle.	<p>Le filtre à air doit être réglé sur la valeur MAX ou être remplacé.</p> <ul style="list-style-type: none"> Réglez le filtre à air à la valeur MAX. Si l'odeur persiste pendant plus de 24 h, le filtre doit probablement être changé. Veuillez consulter la section Remplacement du filtre à air frais pour les directives de remplacement.
L'intérieur du réfrigérateur est couvert de poussière ou de suie.	<p>Le réfrigérateur est placé près d'une flamme ou d'un feu, comme une cheminée, un poêle à bois ou une bougie.</p> <ul style="list-style-type: none"> Assurez-vous que le réfrigérateur n'est pas situé près d'une flamme ou d'un feu, comme une cheminée, un poêle à bois ou une bougie.

Bruits

Symptômes	Causes possibles et solutions
Clic	<p>La commande du dégivrage cliquette lorsque le cycle de dégivrage automatique se met en marche ou s'arrête. La commande du thermostat (ou la commande du réfrigérateur sur certains modèles) cliquette aussi en début et en fin de cycle.</p> <ul style="list-style-type: none"> Fonctionnement normal
Cliquetis	<p>Des cliquetis peuvent être dus à la circulation du fluide frigorigène, à la conduite d'alimentation en eau à l'arrière de l'appareil, ou aux éléments rangés au-dessus ou autour du réfrigérateur.</p> <ul style="list-style-type: none"> Fonctionnement normal
	<p>Le réfrigérateur n'est pas en position stable sur le sol.</p> <ul style="list-style-type: none"> Le sol flanche ou est inégal, ou les pieds de nivellement doivent être ajustés sous le réfrigérateur. Veuillez consulter la section Nivellement et alignement de la porte.
	<p>Le réfrigérateur doté d'un compresseur linéaire a été déplacé brusquement.</p> <ul style="list-style-type: none"> Fonctionnement normal
Sifflement	<p>Le moteur du ventilateur de l'évaporateur fait circuler de l'air à travers les compartiments du réfrigérateur et du congélateur.</p> <ul style="list-style-type: none"> Fonctionnement normal
	<p>Le ventilateur du condenseur souffle de l'air sur le condensateur.</p> <ul style="list-style-type: none"> Fonctionnement normal
Gargouillement	<p>Le fluide frigorigène circule dans le système de refroidissement.</p> <ul style="list-style-type: none"> Fonctionnement normal
Pop	<p>Contraction et expansion des parois internes causées par les changements de température.</p> <ul style="list-style-type: none"> Fonctionnement normal
Grésillement	<p>Eau s'égouttant sur le radiateur de dégivrage lors du cycle de dégivrage.</p> <ul style="list-style-type: none"> Fonctionnement normal
Vibration	<p>Si le côté ou l'arrière du réfrigérateur touche un meuble ou un mur, certaines des vibrations normales de l'appareil peuvent émettre un son audible.</p> <ul style="list-style-type: none"> Pour supprimer ce bruit, assurez-vous que les côtés et l'arrière du réfrigérateur ne peuvent pas vibrer contre un meuble ou un mur.
Égouttement	<p>Eau s'écoulant à travers l'égouttoir au cours du cycle de dégivrage.</p> <ul style="list-style-type: none"> Fonctionnement normal

Symptômes	Causes possibles et solutions
Pulsations ou son aigu	<p>Votre réfrigérateur est conçu pour fonctionner de manière efficace pour conserver vos aliments à la bonne température. Le compresseur à haute performance peut amener votre nouveau réfrigérateur à fonctionner plus régulièrement, mais il est toujours plus économe en énergie que les anciens modèles. Il est normal d'entendre des pulsations ou un son aigu au cours du fonctionnement de votre réfrigérateur.</p> <ul style="list-style-type: none"> • Fonctionnement normal

Wi-Fi

Symptômes	Causes possibles et solutions
L'appareil et le téléphone intelligent n'arrivent pas à se connecter au réseau Wi-Fi.	<p>Le mot de passe du réseau Wi-Fi n'a pas été saisi correctement.</p> <ul style="list-style-type: none"> • Supprimez votre réseau Wi-Fi domestique et recommencez le processus d'enregistrement.
	<p>Les données mobiles de votre téléphone intelligent sont activées.</p> <ul style="list-style-type: none"> • Désactivez les données mobiles de votre téléphone intelligent avant d'enregistrer l'appareil.
	<p>Le nom du réseau sans fil (SSID) est erroné.</p> <ul style="list-style-type: none"> • Le nom du réseau sans fil (SSID) doit être une combinaison de lettres et de chiffres anglais. (N'utilisez pas de caractères spéciaux.)
	<p>La fréquence du routeur n'est pas de 2,4 GHz.</p> <ul style="list-style-type: none"> • Seule une fréquence de routeur de 2,4 GHz est prise en charge. Réglez le routeur sans fil à 2,4 GHz et connectez-y l'appareil. Pour connaître la fréquence du routeur, informez-vous auprès de votre fournisseur de services Internet ou du fabricant du routeur.
	<p>La distance entre l'appareil et le routeur est trop grande.</p> <ul style="list-style-type: none"> • Si l'appareil est trop éloigné du routeur, le signal peut être faible et la connexion peut ne pas être configurée correctement. Placez le routeur plus près de l'appareil ou achetez et installez un répéteur Wi-Fi.

GARANTIE LIMITÉE

POUR ÉTATS-UNIS

CONDITIONS

Si votre réfrigérateur LG (« produit ») ne fonctionne pas à cause d'un défaut de matériaux ou de fabrication malgré un usage domestique normal au cours de la période de garantie énoncée ci-dessous, LG réparera ou remplacera le produit, à sa discrétion. Cette garantie limitée est valide uniquement pour l'acheteur original du produit et ne s'applique que lorsqu'il est acheté et utilisé aux États-Unis, y compris sur les territoires américains. Une preuve de l'achat original est exigée pour obtenir le service de garantie en vertu de cette garantie limitée.

PÉRIODE DE GARANTIE			
Réfrigérateur / Congélateur	Système scellé (condensateur, sècheuse, tuyau de raccordement et évaporateur)	Compresseur	
Un (1) an après la date d'achat original de l'appareil.	Cinq (5) ans après la date d'achat original de l'appareil	Cinq (5) ans après la date d'achat original de l'appareil	Compresseur linéaire/à inversion seulement : Pièces seulement – de la 6e année à la 10e année à compter de la date d'achat original de l'appareil. (Les frais de main-d'œuvre seront facturés au consommateur.)
Pièces et main-d'œuvre (pièces internes et fonctionnelles uniquement)	Pièces et main-d'œuvre	Pièces et main-d'œuvre	

- Les produits et pièces de remplacement sont garantis pour la portion restante de la période de garantie originale ou quatre-vingt-dix (90) jours, selon la période la plus longue.
- Les produits et pièces de remplacement peuvent être neufs ou remis à neuf.
- Une preuve de l'achat original détaillant le modèle du produit et la date d'achat est exigée pour obtenir le service de garantie en vertu de cette garantie limitée.

SAUF DANS LES LIMITES PRÉVUES PAR LA LÉGISLATION EN VIGUEUR, TOUTE GARANTIE IMPLICITE DE QUALITÉ MARCHANDE OU D'ADAPTATION À UN USAGE PARTICULIER SUR LE PRODUIT EST LIMITÉE À LA DURÉE DE LA PRÉSENTE GARANTIE LIMITÉE. EN AUCUN CAS, LG OU SES DISTRIBUTEURS OU REVENDEURS AUX ÉTATS-UNIS NE SERONT RESPONSABLES DE TOUT DOMMAGE INDIRECT, ACCESSOIRE, CONSÉCUTIF, SPÉCIAL OU PUNITIF, Y COMPRIS, MAIS SANS S'Y LIMITER, LES PERTES DE FONDS COMMERCIAUX, LES PERTES DE REVENUS OU DE BÉNÉFICES, UN ARRÊT DE TRAVAIL, LA DÉTÉRIORATION D'AUTRES MARCHANDISES, LES COÛTS ASSOCIÉS AU DÉPLACEMENT ET À LA RÉINSTALLATION DU PRODUIT, LA PERTE D'UTILISATION, OU TOUT AUTRE DOMMAGE, QU'IL SOIT CONTRACTUEL, DÉLICTUEL OU AUTRE. LA RESPONSABILITÉ TOTALE DE LG, LE CAS ÉCHÉANT, NE POURRA EN AUCUN CAS EXCÉDER LA SOMME QUE VOUS AVEZ PAYÉE POUR ACQUÉRIR LE PRODUIT.

Certains États ne permettent pas l'exclusion ou la limitation des dommages indirects ou consécutifs, ou les limitations de la durée de la garantie implicite, auquel cas l'exclusion ou la limitation susmentionnée peut ne pas s'appliquer à vous. Cette garantie vous confère des droits juridiques particuliers, et vous avez peut-être aussi d'autres droits qui peuvent varier selon l'État où vous habitez.

LA PRÉSENTE GARANTIE LIMITÉE NE COUVRE PAS CE QUI SUIT :

- Un appel de service pour livrer, ramasser, installer ou réparer le produit; renseigner le client sur le fonctionnement du produit, rectifier le câblage ou corriger des réparations non autorisées.

- Le bris ou le dysfonctionnement du produit durant une panne, une interruption de l'alimentation électrique ou une mauvaise alimentation en électricité.
- Le bris ou le dysfonctionnement causés par des tuyaux d'eau qui fuient qui sont inadaptés ou gelés, des petits tuyaux de vidange, une arrivée d'eau inadaptée ou coupée, ou une arrivée d'air inadaptée.
- Les dommages attribuables à l'utilisation du produit dans un milieu aux conditions corrosives ou de façon contraire aux indications du manuel d'utilisation.
- Le bris ou le dysfonctionnement du produit causés par des accidents, des insectes nuisibles, de la vermine, la foudre, le vent, un incendie, une inondation ou une catastrophe naturelle, ou toute autre situation hors du contrôle de LG.
- Le bris ou le dysfonctionnement attribuables à toute modification non autorisée ou par une utilisation autre que celle prévue, ou par une fuite d'eau résultant d'une installation inadéquate.
- Le bris ou le dysfonctionnement attribuables à une utilisation mauvaise ou abusive, ou à une installation, à une réparation ou à un entretien inadéquats. Une réparation incorrecte comprend l'utilisation de pièces non autorisées par LG. Une installation ou un entretien incorrect comprend l'installation ou l'entretien de façon contraire aux indications du manuel d'utilisation.
- Le bris ou le dysfonctionnement causés par une alimentation électrique ou une plomberie inadéquate, une utilisation commerciale ou industrielle, ou l'utilisation d'accessoires, de composants ou de produits de nettoyage non approuvés par LG.
- Le bris ou le dysfonctionnement causés par le transport et la manutention, y compris les rayures, bosses, entailles ou autres dommages au produit fini, sauf si de tels dommages sont rapportés dans un délai d'une (1) semaine après la livraison.
- Les dommages et les pièces manquantes pour tout produit utilisé aux fins de démonstration, tout produit déjà déballé avant l'achat ou tout produit vendu à rabais.
- Tout produit remis à neuf ou tout autre produit vendu « tel quel », « tel que disponible », « avec tous les défauts », ou tout avis de non-responsabilité semblable.
- Des produits dont le numéro de série original a été retiré, modifié ou ne peut être facilement déterminé.
- Les augmentations des frais de fonctionnement et des autres dépenses de fonctionnement.
- Tout bruit associé à un fonctionnement normal.
- L'utilisation d'accessoires (p. ex., filtres à eau, etc.), de composants ou de produits de nettoyage non approuvés par LG.
- Le remplacement des ampoules, des filtres ou des consommables.
- Les réparations lorsque votre appareil est utilisé dans des conditions autres que normales et domestiques (utilisation commerciale, dans des bureaux ou des installations récréatives ou des véhicules) ou contraires aux consignes établies dans le manuel du propriétaire de l'appareil.
- Les coûts associés au retrait et à la réinstallation du produit de votre résidence aux fins de réparation.
- Les étagères, les bacs de la porte, les tiroirs, les poignées et les accessoires, à l'exception des pièces internes/fonctionnelles couvertes par la présente garantie limitée.

Le coût des réparations ou du remplacement dans les circonstances d'exclusion ci-dessus est assumé par le consommateur.

OBTENIR DES SERVICES SOUS GARANTIE ET DES RENSEIGNEMENTS ADDITIONNELS

Composez le 1 800 243-0000 et sélectionnez l'option appropriée dans le menu.

Ou visitez notre site Web au <http://www.lg.com>

Ou par courrier : Service à la clientèle de LG Electronics/LG Electronics Customer Service P.O. Box 240007
Huntsville, AL 35813 c/o: CIC

POUR CANADA

CONDITIONS

AVIS D'ARBITRAGE : LA PRÉSENTE GARANTIE LIMITÉE CONTIENT UNE DISPOSITION SUR L'ARBITRAGE QUI EXIGE QUE LE RÈGLEMENT DES DIFFÉRENDS ENTRE VOUS ET LG S'EFFECTUE PAR ARBITRAGE EXÉCUTOIRE PLUTÔT QUE DEVANT UN TRIBUNAL, À MOINS QUE LES LOIS DE VOTRE PROVINCE OU TERRITOIRE L'INTERDISENT OU QUE, DANS UN AUTRE TERRITOIRE DE COMPÉTENCE, VOUS VOUS PRÉVALIEZ D'UNE OPTION DE RETRAIT. LES RECOURS COLLECTIFS ET LES PROCÈS DEVANT JURY NE SONT PAS AUTORISÉS PAR LE PROCESSUS D'ARBITRAGE. VEUILLEZ VOUS RÉFÉRER CI-DESSOUS À L'ARTICLE « PROCÉDURE DE RÈGLEMENT DE DIFFÉREND ».

Si votre réfrigérateur LG («Produit») a tombé en panne en raison d'un défaut de matériaux ou de fabrication sous une utilisation normale et appropriée, pendant la période de garantie indiquée ci-dessous, LG Electronics Canada Inc. («LGECI»), à son gré, réparera ou remplacera le «Produit» après réception de la preuve d'achat originale au détail. Cette garantie limitée est valable uniquement qu'à l'acheteur original du «Produit» du détaillant et s'applique uniquement à un produit distribué, acheté et utilisé au Canada, tel que déterminé à la seule discrétion de «LGECI».

PÉRIODE DE GARANTIE (Remarque : Dans le cas où la date d'achat initial ne peut pas être vérifiée, la garantie commence soixante (60) jours après la date de fabrication.)			
Réfrigérateur	Système scellé (condensateur, sécheuse, tuyau de raccordement et évaporateur)		Compresseur linéaire / à inversion
Un (1) an après la date d'achat original de l'appareil.	Un (1) an après la date d'achat original de l'appareil.	Sept (7) ans après la date d'achat original de l'appareil.	Dix (10) ans après la date d'achat original de l'appareil.
Pièces et main-d'œuvre (pièces internes et fonctionnelles uniquement)	Pièces et main-d'œuvre	Pièces uniquement (la main-d'œuvre sera facturée au client)	Pièces uniquement (la main-d'œuvre sera facturée au client)

- Les produits et pièces de remplacement sont garantis pour la portion restante de la période de garantie originale ou quatre-vingt-dix (90) jours, selon la période la plus longue.
- Les produits et pièces de rechange peuvent être neufs, reconditionnés, remis à neuf ou autrement fabriqués en usine, tous à la seule discrétion de «LGECI».
- Une preuve de l'achat original détaillant le modèle du produit et la date d'achat est exigée pour obtenir le service de garantie en vertu de cette garantie limitée.

LA RESPONSABILITÉ DE LGECI EST LIMITÉE À LA GARANTIE LIMITÉE EXPRIMÉE CI-DESSUS. SAUF TEL QU'EXPRESSÉMENT FOURNI CI-DESSUS, LGECI DÉCLINE TOUTE AUTRE GARANTIE ET CONDITION CONCERNANT LE PRODUIT, EXPLICITE OU IMPLICITE, Y COMPRIS, MAIS SANS S'Y LIMITER, TOUTE GARANTIE IMPLICITE OU CONDITION DE QUALITÉ MARCHANDE OU D'ADAPTATION À UN USAGE PARTICULIER, ET AUCUNE REPRÉSENTATION NE SERA LIÉE À LGECI. LGECI N'AUTORISE AUCUNE PERSONNE À CRÉER OU ENSOSSER À SA PLACE QUELCONQUE AUTRE OBLIGATION DE GARANTIE OU RESPONSABILITÉ RELATIVE AU PRODUIT. DANS LA MESURE OÙ TOUTE GARANTIE OU CONDITION EST IMPLICITE PAR LA LOI, ELLE EST LIMITÉE À LA PÉRIODE DE GARANTIE DÉCLARÉE CI-DESSUS. EN AUCUN CAS, LGECI, LE FABRICANT OU LE DISTRIBUTEUR DU PRODUIT, NE SERA TENU RESPONSABLE DE TOUT DOMMAGE ACCESSOIRE, CONSÉCUTIF, SPÉCIAL, DIRECT, INDIRECT, PUNITIF OU EXEMPLAIRE, Y COMPRIS, SANS LIMITATION, LA PERTE DE COTE D'ESTIME, PERTE DE PROFITS, PERTE DE PROFITS ANTICIPÉS, PERTE DE REVENUS, PERTE D'UTILISATION OU DE TOUT AUTRE DOMMAGE, QU'IL SOIT PROVENU DIRECTEMENT OU INDIRECTEMENT DE TOUTE INFRACTION CONTRACTUELLE, VIOLATION FONDAMENTALE, DÉLICTEUELLE OU AUTRE, OU DE TOUT ACTE OU OMISSION. LA RESPONSABILITÉ TOTALE DE LGECI, S'IL EN EST, N'OUTREPASSERA PAS LE PRIX D'ACHAT PAYÉ PAR VOUS POUR LE PRODUIT.

Cette garantie limitée vous donne des droits légaux spécifiques. Vous pouvez également avoir d'autres droits qui varient d'une province à l'autre selon les lois provinciales applicables. Tout terme de cette Garantie limitée qui nie ou modifie toute condition ou garantie implicite en vertu de la loi provinciale est

divisible lorsqu'elle est en conflit avec cette loi provinciale sans affecter le reste des termes de cette garantie.

LA PRÉSENTE GARANTIE LIMITÉE NE COUVRE PAS CE QUI SUIT :

- Tout déplacement du technicien pour : i) livrer, reprendre, installer ou; éduquer comment utiliser le Produit; ii) corriger le câblage ou plomberie; ou iii) rectifier toute réparation ou installation non-autorisée du Produit;
- Dommage ou panne du Produit à performer lors de panne de courant et service électrique inadéquat ou interrompu;
- Dommage ou panne en raison de tuyaux d'eau brisés ou dont l'eau fuit, conduite d'eau gelée, conduite de récupération obstruée, approvisionnement d'eau inadéquat ou interrompu ou ravitaillement d'air inadéquat;
- Dommage ou panne résultant de l'utilisation du Produit dans un environnement corrosif ou contraire aux instructions détaillées dans le manuel d'utilisation du Produit;
- Dommage ou panne du Produit en raison d'accidents, ravageurs et parasites, foudre, vent, feu, inondations, actes de Dieu ou toute autre raison hors du contrôle de LGECI ou du fabricant;
- Dommage ou panne résultant d'utilisation inappropriée ou abusive ou d'installation, réparation ou entretien imparfait du Produit. Réparation imparfaite inclut l'utilisation de pièces non autorisées ou spécifiées par LGECI. Installation ou entretien imparfait inclut toute installation ou entretien contraire aux instructions détaillées au manuel d'utilisation du Produit;
- Dommage ou panne en raison de modification ou altération non autorisée du Produit, ou si utilisé pour fins autres que celle d'appareil ménager domestique, ou dommage ou panne résultant de toute fuite d'eau due à une mauvaise installation du produit;
- Dommage ou panne en raison de courant électrique, tension ou codes de plomberie incorrects;
- Dommage ou panne en raison d'utilisation autre que celle d'appareil ménager domestique normale, incluant, sans limite, l'utilisation commerciale ou industrielle, incluant l'utilisation au bureau commercial ou centre récréatif, ou détaillée autrement au manuel d'utilisation du Produit;
- Dommage ou panne en raison d'utilisation de tout accessoire, composant ou produit nettoyant, incluant, sans limite, filtres à eau non autorisés par LGECI;
- Remplacement de la cartouche du filtre à eau en raison de la pression d'eau située en dehors de la plage de fonctionnement spécifiée ou sédiments excessifs dans l'approvisionnement d'eau;
- Dommage ou panne provoqué par le transport et la manipulation, y compris rayures, bosses, écaillage et/ou autre endommagement à la finition du Produit, à moins qu'un tel dommage résulte d'une fabrication ou de matériaux défectueux et qu'il soit signalé à LGECI dans un délai d'une (1) semaine suivant la livraison du Produit;
- Dommage or articles absents de tout Produit démonstrateur, boîte ouverte, réusiné ou escompté;
- Produit réusiné ou tout Produit vendu "Tel quel", "Où est", "Avec tous défauts", ou toute mise en garde similaire;
- Produit dont le numéro de série original ait été retiré, altéré ou ne peut être facilement déterminé à la discrétion de LGECI;
- Augmentation de la facture d'électricité et dépenses additionnelles d'utilité de quelque manière associée au Produit;
- Tout bruit associé au fonctionnement normal du Produit;
- Remplacement des ampoules, filtres, fusibles ou tout autre élément consommable;
- Remplacement de toute pièce n'étant pas originalement incluse avec le Produit;
- Coûts associés au retrait et/ou réinstallation du Produit pour fins de réparation; et
- Les clayettes, bacs, tiroirs, poignées et accessoires du Produit, sauf les pièces internes / fonctionnelles couvertes par cette garantie limitée.
- Couverture pour réparations à domicile, pour produit sous garantie, sera fournie si le Produit se trouve dans un rayon de 150 km du centre de service autorisé (ASC) le plus près, tel que déterminé par LG

Canada. Si votre Produit est situé à l'extérieur du rayon de 150 km d'un centre de service autorisé, tel que déterminé par LG Canada, il en ira de votre responsabilité d'apporter votre Produit, à vos frais, au centre de service (ASC) pour réparation sous garantie.

Tous coûts et dépenses associés aux circonstances d'exclusion ci-dessus, énumérés sous la rubrique « La présente garantie limitée ne couvre pas ce qui suit », sont à la charge du consommateur.

AFIN D'OBTENIR SOUTIEN DE GARANTIE ET INFORMATIONS SUPPLÉMENTAIRES VEUILLEZ NOUS APPELER OU VISITER NOTRE SITE WEB :

Appelez le 1 888 542-2623 (7 h à minuit, pendant toute l'année) et sélectionnez l'option appropriée à partir du menu, ou visitez le site web au <http://www.lg.com>.

PROCÉDURE DE RÈGLEMENT DE DIFFÉREND :

SAUF LA OÙ LA LOI L'INTERDIT, TOUT DIFFÉREND ENTRE VOUS ET LG ASSOCIÉ DE QUELQUE FAÇON QUE CE SOIT À LA PRÉSENTE GARANTIE LIMITÉE SE RÈGLE EXCLUSIVEMENT PAR ARBITRAGE EXÉCUTOIRE PLUTÔT QUE DEVANT UN TRIBUNAL DE DROIT COMMUN. SAUF LA OÙ LA LOI L'INTERDIT, VOUS ET LG RENONCEZ IRRÉVOCABLEMENT À TOUT DROIT À UN PROCÈS DEVANT JURY, AINSI QU'À EXERCER UN RECOURS COLLECTIF OU À Y PARTICIPER.

Définitions. Aux fins du présent article, « LG » désigne LG Electronics Canada Inc., ses sociétés mères, ses filiales et ses sociétés affiliées et tous leurs dirigeants, administrateurs, employés, agents, bénéficiaires, détenteurs précédents des mêmes droits, successeurs, cessionnaires et fournisseurs; « différend » et « réclamation » englobent tout différend, réclamation ou litige de quelque sorte que ce soit (fondés sur une responsabilité contractuelle, délictuelle, légale, réglementaire ou découlant d'une ordonnance, par fraude, fausse représentation ou sous quelque régime de responsabilité que ce soit) découlant de quelque façon que ce soit de la vente, des conditions ou de l'exécution du produit ou de la présente Garantie limitée.

Avis de différend. Si vous prévoyez engager une procédure d'arbitrage, vous devez d'abord envoyer à LG un préavis écrit d'au moins 30 jours à l'adresse suivante : Équipe juridique LGECI, 20, Norelco Drive, North York, Ontario, Canada M9L 2X6 (l' « avis de différend »). Vous et LG convenez de discuter en toute bonne foi pour tenter de régler le différend à l'amiable. L'avis doit mentionner votre nom, votre adresse, votre numéro de téléphone, le produit faisant l'objet de la réclamation, la nature de la réclamation et la réparation demandée. Si vous et LG ne parvenez pas à régler le différend dans les 30 jours suivant la réception de l'avis de différend par LG, le différend doit être réglé par arbitrage exécutoire conformément à la procédure établie aux présentes. Vous et LG convenez que, tout au long du processus d'arbitrage, les modalités (y compris les montants) de toute offre de règlement formulée par vous ou par LG ne seront pas divulguées à l'arbitre et resteront confidentielles à moins d'accord contraire entre les deux parties ou que l'arbitre règle le différend.

Entente d'arbitrage exécutoire et renonciation à un recours collectif. Si la réclamation n'a pu être réglée dans les 30 jours suivant la réception de l'avis de différend par LG, vous et LG convenez de ne régler les réclamations vous opposant que par arbitrage exécutoire au cas par cas, à moins que vous vous prévaliez de l'option de retrait évoquée plus haut ou que vous résidiez dans un territoire de compétences qui interdit la pleine application de cette clause dans le cas de réclamations de ce type (Dans lequel cas, si vous êtes un consommateur, cette clause ne s'appliquera que si vous acceptez expressément l'arbitrage). Dans la mesure où la loi en vigueur le permet, aucun différend entre vous et LG ne peut être combiné ou regroupé avec un différend faisant intervenir le produit ou la réclamation d'une personne ou entité tierce. Plus précisément et sans limiter la portée de ce qui précède, sauf dans la mesure où une telle interdiction n'est pas autorisée en droit, en aucun cas un différend entre vous et LG ne peut être traité dans le cadre d'un recours collectif. Au lieu de l'arbitrage, les parties peuvent tenter une action individuelle devant une cour des petites créances, mais cette action ne peut pas être intentée dans le cadre d'un recours collectif, sauf dans la mesure où une telle interdiction n'est pas autorisée en droit dans votre province ou territoire de compétences pour une réclamation en cause qui nous oppose.

Règles et procédures d'arbitrage. Pour soumettre une réclamation à un arbitrage, l'une des deux parties, soit vous ou LG, doit déposer une demande écrite à cet effet. L'arbitrage est privé et confidentiel et s'effectue selon une procédure simplifiée et accélérée devant un arbitre unique choisi par les parties conformément aux lois et règlements en vigueur portant sur l'arbitrage commercial de votre province ou territoire de résidence. Vous devez également envoyer une copie de votre demande écrite à LG Electronics Canada Inc., Legal Department - Arbitration, 20 Norelco Drive, North York, Ontario M9L 2X6. La présente disposition sur l'arbitrage est régie par les lois et règlements sur l'arbitrage commercial applicables de

votre province ou territoire. La sentence arbitrale peut donner lieu à un jugement de n'importe quel tribunal compétent. Toutes les décisions relèvent de l'arbitre, à l'exception des questions associées à la portée et à l'applicabilité de la disposition sur l'arbitrage et à l'arbitrabilité du différend, qui sont du ressort du tribunal. L'arbitre est tenu de respecter les modalités de la présente disposition.

Droit applicable. Les lois de votre province ou territoire d'achat régissent la présente Garantie limitée et tout différend entre vous et LG, sauf dans la mesure où de telles lois sont supplantées par des lois fédérales, provinciales ou territoriales applicables ou qu'elles sont incompatibles avec ces dernières. Si l'arbitrage n'est pas autorisé pour régler une réclamation, une poursuite, un différend ou un litige vous opposant à LG, vous et LG vous en remettrez à la compétence exclusive des tribunaux de votre province ou territoire d'achat pour le règlement de la réclamation, de la poursuite, du différend ou du litige vous opposant à LG.

Frais et coûts. Aucuns frais ne sont exigibles pour entamer une procédure d'arbitrage. À la réception de votre demande d'arbitrage écrite, LG réglera rapidement la totalité des frais de dépôt de la demande d'arbitrage, sauf si vous réclamez des dommages-intérêts supérieurs à 25 000 \$. Dans ce cas, le paiement de ces frais sera régi par les règles d'arbitrage applicables. Sauf disposition contraire aux présentes, LG paiera tous les frais de dépôt de demande et d'administration ainsi que les honoraires de l'arbitre conformément aux règles d'arbitrage applicables et à la présente disposition sur l'arbitrage. Si vous remportez l'arbitrage, LG réglera vos frais et honoraires juridiques après avoir déterminé s'ils sont raisonnables en se fondant sur des facteurs comme, entre autres, le montant de l'achat et le montant de la réclamation. Si l'arbitre juge que le motif de la réclamation ou les réparations demandées sont futiles ou se fondent sur des motifs déplacés (au regard des lois applicables), le paiement de tous les frais d'arbitrage sera régi par les règles d'arbitrage applicables. Dans un tel cas, vous acceptez de rembourser à LG la totalité des montants versés qu'il vous revient autrement de payer en vertu des règles d'arbitrage applicables. Sauf disposition contraire et si elle remporte l'arbitrage, LG renonce à tous ses droits de vous réclamer des frais et honoraires juridiques.

Audience et lieu de l'arbitrage. Si votre réclamation est égale ou inférieure à 25 000 \$, vous pouvez opter pour un arbitrage conduit selon l'une des modalités suivantes uniquement : 1) sur examen des documents remis à l'arbitre, 2) par audience téléphonique ou 3) par audience en personne selon les dispositions des règles d'arbitrage applicables. Si votre réclamation dépasse 25 000 \$, le droit à une audience sera défini par les règles d'arbitrage applicables. Les audiences arbitrales en personne se tiendront à l'endroit le plus proche et le plus pratique pour les deux parties situé dans votre province ou votre territoire de résidence, sauf si nous convenons mutuellement d'un autre lieu ou d'un arbitrage par téléphone.

Dissociabilité et renoncement. Si une partie de la présente Garantie limitée (y compris les présentes procédures d'arbitrage) n'est pas applicable, les dispositions restantes demeurent en vigueur dans la mesure permise par la loi applicable. Le fait de ne pas exiger la stricte exécution d'une disposition de la présente Garantie limitée (y compris les présentes procédures d'arbitrage) ne signifie pas que nous ayons renoncé ni que nous ayons l'intention de renoncer à toute disposition ou partie de la présente Garantie limitée.

Option de retrait. Vous pouvez vous retirer de la présente procédure de règlement de différend. Dans ce cas, ni vous ni LG ne pouvez imposer à l'autre partie de participer à une procédure d'arbitrage. Pour vous prévaloir de l'option de retrait, vous devez envoyer un préavis à LG dans les trente (30) jours civils à compter de la date de l'achat du produit par le premier acheteur i) dans un courriel adressé à optout@lge.com et dont la ligne d'objet porte la mention « Retrait de l'arbitrage » ou ii) en composant le 1-800-980-2973. Que ce soit par courriel ou par téléphone, vous devrez donner a) votre nom et votre adresse; b) la date d'achat du produit; c) le nom ou le numéro de modèle du produit et d) le numéro de série [qu'il est possible de trouver i) sur le produit ou ii) en ligne au https://www.lg.com/ca_fr/soutien/repair-garantie/demande-reparation, Trouver mes numéros de modèle et de série].

Si vous vous prévaliez de l'option de retrait, les lois de votre province ou territoire de résidence régissent la présente Garantie limitée et tout différend entre nous, sauf dans la mesure où de telles lois sont supplantées par des lois fédérales, provinciales ou territoriales applicables ou sont incompatibles avec ces dernières. Si l'arbitrage n'est pas autorisé pour régler une réclamation, une poursuite, un différend ou un litige nous opposant, nous nous en remettons à la compétence exclusive des tribunaux de votre province ou territoire de compétence pour le règlement de la réclamation, de la poursuite, du différend ou du litige nous opposant

Vous ne pouvez vous prévaloir de l'option de retrait que de la manière décrite plus haut (c'est-à-dire par courriel ou par téléphone). Aucun autre type d'avis ne sera pris en compte pour le retrait de la présente procédure de règlement de différend. Le fait de se retirer de la présente procédure de règlement de

différend ne compromet d'aucune façon la protection accordée en vertu de la Garantie limitée, et vous continuerez à jouir de tous les avantages prévus par la Garantie limitée. Si vous conservez ce produit sans vous prévaloir de l'option de retrait, vous acceptez les conditions générales de la disposition sur l'arbitrage énoncée ci-dessus.

Conflit de modalités. En cas de conflit ou d'incompatibilité entre les modalités de la présente garantie limitée et le contrat de licence d'utilisation (CLU) en ce qui concerne le règlement des différends, les modalités de la présente garantie limitée contrôlent et régissent les droits et obligations des parties et ont préséance sur le CLU.



LG

Life's Good

LG Customer Information Center

For inquiries or comments,
visit www.lg.com or call:

1-800-243-0000 U.S.A.

1-888-542-2623 CANADA

Register your product Online!

www.lg.com