



# OWNER'S MANUAL

# **DISHWASHER**

---

Read this owner's manual thoroughly before operating the appliance and keep it handy for reference at all times.

## **ENGLISH**

LDTH797\*\* LDPH797\*\*



MFL71917413  
Rev.00\_062922

[www.lg.com](http://www.lg.com)

Copyright © 2022 LG Electronics Inc. All Rights Reserved.

---

# TABLE OF CONTENTS

## 3 IMPORTANT SAFETY INSTRUCTIONS

---

55 USA  
59 CANADA

- 3 READ ALL INSTRUCTIONS BEFORE USE
- 3 WARNING STATEMENTS
- 6 CAUTION STATEMENTS

## 7 PRODUCT OVERVIEW

---

- 7 Product Features

## 10 INSTALLATION

---

- 10 Before Installing
- 11 Preparing Cabinet Opening
- 12 Preparing Water and Electrical Connections
- 13 Preparing Dishwasher
- 15 Sliding Dishwasher into Cabinet Opening
- 16 Connecting Water Supply Line and Power
- 18 Connecting the Drain Hose
- 19 Leveling Dishwasher
- 20 Securing Dishwasher in Cabinet Opening
- 21 Final Installation Check

## 23 OPERATION

---

- 23 Before Using
- 25 Control Panel
- 26 Wash Cycles
- 27 Options and Extra Functions
- 30 Loading the Dishwasher
- 30 Loading the Silverware Basket
- 31 Loading the Lower Rack
- 32 Loading the Upper Rack
- 35 Loading the Cutlery Rack
- 36 Adding Cleaning Products

## 40 SMART FUNCTIONS

---

- 40 LG ThinQ Application
- 42 Smart Diagnosis™ Function

## 44 MAINTENANCE

---

- 44 Cleaning and Care

## 48 TROUBLESHOOTING

---

- 48 Before Calling for Service

## 55 LIMITED WARRANTY

---

# IMPORTANT SAFETY INSTRUCTIONS

## READ ALL INSTRUCTIONS BEFORE USE

### Safety Messages

**Your safety and the safety of others are very important.**

We have provided many important safety messages in this manual and on your appliance. Always read and follow all safety messages.



This is the safety alert symbol.

This symbol alerts you to potential hazards that can kill or injure you and others. All safety messages will follow the safety alert symbol and either the word **WARNING** or **CAUTION**.

These words mean:



#### **WARNING**

You may be killed or seriously injured if you do not follow instructions.



#### **CAUTION**

You may be injured or cause damage to the product if you do not follow instructions.

All safety messages will tell you what the potential hazard is, tell you how to reduce the chance of injury, and tell you what may happen if the instructions are not followed.

## WARNING STATEMENTS

### **WARNING**

- To reduce the risk of explosion, fire, death, electric shock, scalding or injury to persons when using this product, follow basic precautions, including the following:

### Installation

- Connect to a properly rated, protected, and sized power circuit to avoid electrical overload.
- To reduce the risk of severe injury or death, follow all installation instructions.
- The appliance must be installed and electrically grounded by qualified service personnel in accordance with local codes.
- Disconnect the power supply line, house fuse or circuit breaker before installing or servicing the appliance.
- When moving or installing the product in a different location, call qualified service personnel for installation and service.
- Keep packing materials out of the reach of children. Packaging material can be dangerous for children. There is a risk of suffocation.
- Moving or installation of the appliance requires two or more people.
- This appliance is not designed for maritime use or for mobile installations such as in RVs, trailers, or aircraft.
- Store and install the appliance where it will not be exposed to temperatures below freezing or exposed to outdoor weather conditions.
- This appliance must be positioned near to an electrical power supply.
- Do not, under any circumstances, cut or remove the ground from the power supply line.

## 4 IMPORTANT SAFETY INSTRUCTIONS

---

- When installing or moving the appliance, be careful not to pinch, crush, or damage the power supply line.
- Do not install the appliance in humid spaces.
- Destroy the carton, plastic bag, and other packing materials after the appliance is unpacked. Children might use them for play. Cartons covered with rugs, bedspreads, or plastic sheets can become airtight chambers.
- Never attempt to operate this appliance if it is damaged, malfunctioning, partially disassembled, or has missing or broken parts, including a damaged power supply line.
- Adhere to all industry recommended safety procedures including the use of long-sleeved gloves and safety glasses.
- The installer must ensure that the dishwasher is completely enclosed at the time of installation.
- Use new hoses when connecting the appliance to the water supply. Do not reuse old hoses.
- After installing, check the hose connection for leaks.
- Do not damage or place heavy items on the power supply line of the appliance.

### Operation

- Repair or immediately replace all power supply lines that have become frayed or otherwise damaged. Do not use a power supply line that shows cracks or abrasion damage along its length or at either end.
- If you detect a strange sound, a chemical or burning smell, or smoke coming from the appliance, unplug it immediately, and contact an LG Electronics customer information center.
- Never unplug the appliance by pulling on the power supply line.
- Do not use an extension cable or adapter with this appliance.
- Do not grasp the power supply line or touch the appliance controls with wet hands.
- Do not modify or extend the power cable.
- If the product has been submerged, contact an LG Electronics customer information center for instructions before resuming use.
- Do not store or use gasoline or other flammable vapors and liquids in the vicinity of this or any other appliance.
- Keep the area underneath and around your appliances free of combustible materials (lint, paper, rags, etc.), gasoline, chemicals and other flammable vapors and liquids.
- This appliance is not intended for use by persons (including children) with reduced physical, sensory or mental capabilities, or lack of experience and knowledge, unless they have been given supervision or instruction concerning the use of the appliance by a person responsible for their safety.
- If the electrical supply line is damaged, it must only be replaced by the manufacturer or its service agent or a similar qualified person in order to avoid a hazard.
- Do not abuse, sit on, or stand on the door of the appliance.
- Read all instructions before using the appliance and save these instructions.
- Use this appliance only for its intended purpose.
- Do not allow children to play on, in or with the appliance. Close supervision of children is necessary when the appliance is used near children.
- Do not tamper with controls.
- In the event of a gas leak (propane gas, LP gas, etc.) do not operate this or any other appliance. Open a window or door to ventilate the area immediately.
- Under certain conditions, hydrogen gas may be produced in a hot-water system that has not been used for two weeks or more. **HYDROGEN GAS IS EXPLOSIVE.** If the hot-water system has not been used for such a period, before using the appliance turn on all hot water faucets and let the water flow from each for several minutes. This will release any accumulated hydrogen gas. As the gas is flammable, do not smoke or use an open flame during this time.

- Fix the drain hose securely in place.
- Use only detergents or wetting agents recommended for use in a dishwasher and keep them out of the reach of children.
- Do not let children eat detergent or dishwasher rinse agent.
- When loading items to be washed:
  - Locate sharp items so that they are not likely to damage the door seal.
  - Load sharp knives with the handles up to reduce the risk of cuts or other injuries.
- Do not wash plastic items unless they are marked "dishwasher safe" or the equivalent. For plastic items not so marked, check the manufacturer's recommendations.
- Do not touch the HEATING ELEMENT during or immediately after use.
- Do not operate your dishwasher unless all ENCLOSURE panels are properly in place.
- Do not abuse, sit on, or stand on the door or dish rack of the dishwasher.
- Do not install or store the dishwasher where it will be exposed to weather conditions.
- After cleaning the dishes, turn off the water supply. Before cleaning, turn the water supply back on and check the connections.
- Do not open the appliance door while it is operating. For safety reasons, the drain pump operates if the door is opened, resulting in a longer cycle time.
- Be careful not to catch your hand when closing the door of the product.
- Do not plug the dishwasher into a damaged outlet.
- Do not install or keep the dishwasher near electrical components or exposed flames.
- Do not wash dishes exposed to gasoline, solvents or other flammable materials.
- When cleaning, do not spray water on the product directly.
- Do not press buttons with a sharp object such as an awl or pin.
- Do not use solvent-based detergent.
- Do not come into contact with the steam outlet.
- Small parts, such as rack clips and filter retaining posts can be a choke hazard to small children if removed from the dishwasher. Keep out of reach of small children.
- Do not touch the heat dry blower during operation, as it is hot.

## Maintenance

- Do not repair or replace any part of the appliance. All repairs and servicing must be performed by qualified service personnel unless specifically recommended in this Owner's Manual. Use only authorized factory parts.
- Do not disassemble or repair the appliance by yourself.
- Remove any dust or foreign matter from the power supply line.
- Disconnect this appliance from the power supply before cleaning and attempting any user maintenance. Turning the controls to the OFF position does not disconnect this appliance from the power supply.
- Remove the door before the appliance is removed from service or discarded to avoid the danger of children or small animals getting trapped inside.
- Unplug the appliance before cleaning to avoid the risk of electric shock.
- Before discarding the appliance, cut off the power supply line and destroy the appliance's control panel.

## Grounding Instructions

- For a permanently connected dishwasher: This appliance must be connected to a grounded metal, permanent wiring system, or an equipment-grounding conductor must be run with the circuit conductors and connected to the equipment-grounding terminal or lead to the appliance.

## 6 IMPORTANT SAFETY INSTRUCTIONS

---

- Connect the ground wire to the green ground connector in the terminal box.

### Tip Over Hazard

- Do not use the dishwasher until completely installed.
- Do not push down on the open dishwasher door.
- Failure to follow these instructions may result in serious injury or cuts.

## CAUTION STATEMENTS

---

### CAUTION

- To reduce the risk of minor or moderate injury to persons, malfunction, or damage to the product or property when using this product, follow basic precautions, including the following:
- 

### Installation

- Install the product on a firm and level floor.
- This dishwasher must be connected to a hot water supply with a temperature range between 120 °F (49 °C) and 149 °F (65 °C). This temperature range provides the best washing results and shortest cycle time. The temperature should not exceed 149°F (65 °C) to prevent damage to dishes.
- Do not put the drain hose under the dishwasher during installation.

### Operation

- Do not place objects on top of the appliance.
- Turn off the water faucets and unplug the appliance if the appliance is to be left for an extended period of time, such as during vacations.
- Do not store or spill liquid detergents, cleaners, or bleaches (chlorine bleach, oxygen bleach) on the appliance. Doing so may result in corrosion, discoloration or damage to the surface of the appliance.
- Do not touch draining water which may be hot.
- If the drain hose and the water supply hose are frozen in winter, defrost before using the appliance.
- Do not put hands, feet, or metal objects below or behind the appliance.

### Maintenance

- If cooking oil is spilled on the exterior of the product, wipe it off immediately. Do not clean the exterior of the product with cleaners which contain alcohol, thinners, bleach, benzene, flammable liquids, or abrasives. These substances may discolor or damage the appliance.

**SAVE THESE INSTRUCTIONS**

# PRODUCT OVERVIEW

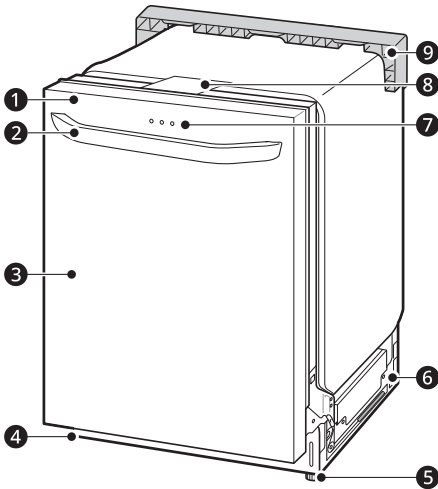
## Product Features

The images in this guide may be different from the actual components and accessories, which are subject to change by the manufacturer without prior notice for product improvement purposes.

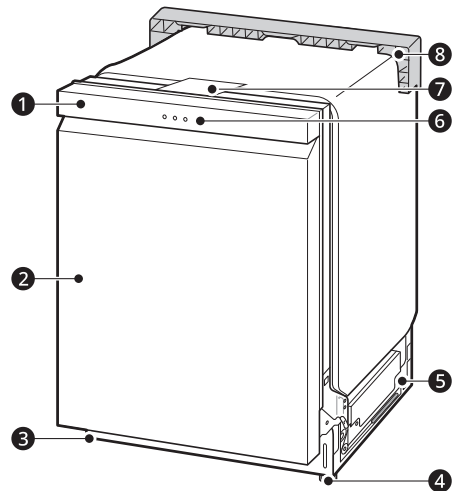
### NOTE

- For your safety and for extended product life, use only authorized components. The manufacturer is not responsible for product malfunction or accidents caused by the use of separately purchased unauthorized components or parts.
- Do not remove the safety cover at any time.
- To ensure reliability, each LG dishwasher goes through thorough quality control before it leaves the factory.
- You may find water droplets or water spots from this process inside your new dishwasher.

### Front View



- ① Control Panel
- ② Door Handle
- ③ Front Cover
- ④ Lower Cover
- ⑤ Leveling Feet
- ⑥ Base
- ⑦ SignalLight™
- ⑧ Safety Cover
- ⑨ Shipping Brace



- ① Control Panel & Door Handle
- ② Front Cover
- ③ Lower Cover
- ④ Leveling Feet
- ⑤ Base
- ⑥ SignalLight™
- ⑦ Safety Cover
- ⑧ Shipping Brace

### SignalLight™ (Front Display)

The top-control models have 3 indicator LEDs centered at the top of the front cover.

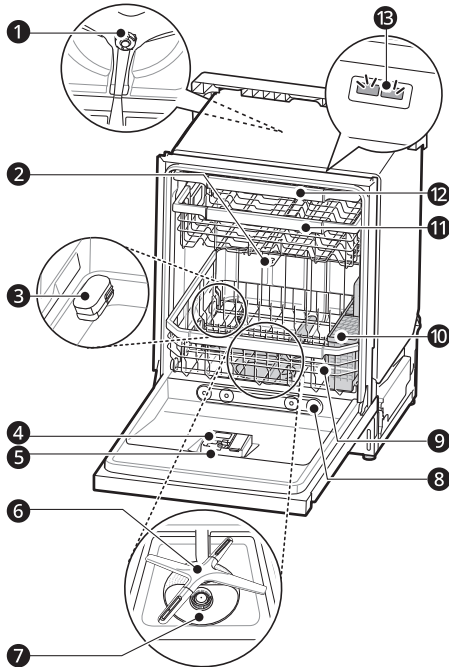
- Red: Error (See the Error Codes in Troubleshooting section.)

## 8 PRODUCT OVERVIEW

- White (steady): Normal operation.
- White (blinking): Cycle has been paused. (After four minutes in pause mode, the machine turns off.)
- Green: Cycle finished normally.

The default **ON** setting keeps the green light on until the door is opened. If the setting is changed to **OFF**, the green light turns off after 90 seconds. To change the setting, refer to the **Using the Option Setting Mode** topic.

### Interior View



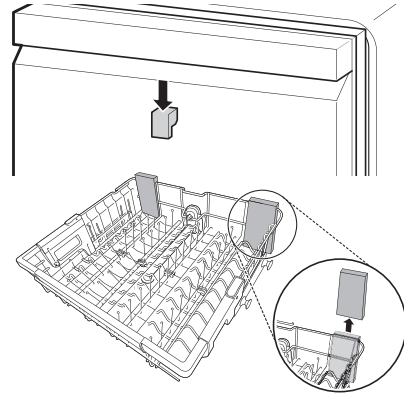
- 1 Top Wash Impeller
- 2 Upper Spray Arm
- 3 Heat Dry Blower
- 4 Detergent and Rinse Aid Dispenser
- 5 Drying Vent Cover
- 6 Lower Spray Arm
- 7 Filtration System
- 8 Steam Nozzle
- 9 Lower Rack (appearance may vary)
- 10 Silverware Basket
- 11 Upper Rack
- 12 Cutlery Rack<sup>†</sup>

### 13 Tub Light<sup>†</sup>

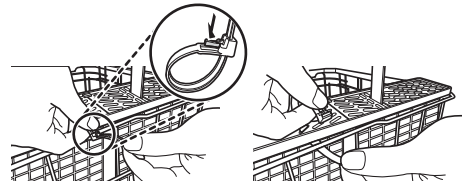
<sup>†</sup> This feature is only available on some models.

### NOTE

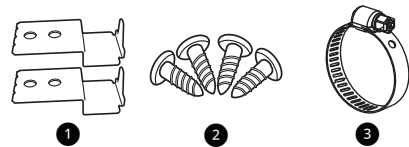
- The silverware basket ships installed at the back of the bottom rack. For best performance, install it along the right side.
- Remove all packing materials from the exterior and interior of the dishwasher before installing the appliance.



- Press the tab to remove the cable tie by hand. Cutting the tie with a knife or scissors may damage the rack or the silverware basket.



### Accessories



- 1 Installation Brackets (2 ea)
- 2 Wood Screws (4 ea)
- 3 Hose Clamp

### Product Specifications

The appearance and specifications listed in this manual may vary due to constant product improvements.

Model	LDTH797** LDPH797**
<b>Electrical Requirements</b>	120 V, 60 Hz AC only, 15 A circuit breaker
<b>Water Pressure</b>	20 psi - 80 psi (140 kPa - 550 kPa)
<b>Dimensions (Width X Depth X Height)</b>	23 3/4" X 24 5/8" X 33 5/8" (603 mm X 625 mm X 854 mm)
<b>Inlet Water Temperature</b>	120 °F - 149 °F (49 °C - 65 °C)
<b>Net Weight</b>	90 lbs. - 99 lbs. (41 kg - 45 kg)

# INSTALLATION

## Before Installing

### Online Installation Guide

This QR code is for reference only, for complete installation instructions, see the owner's manual supplied with each dishwasher.

#### English



<https://www.lg.com/us/support/video-tutorials/lg-dishwasher-installation-CT10000009-1366643457088>

#### French



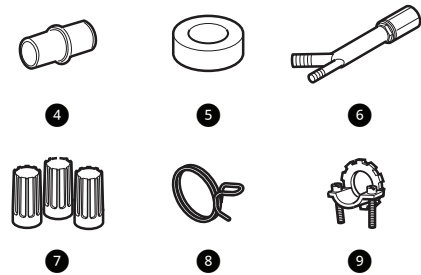
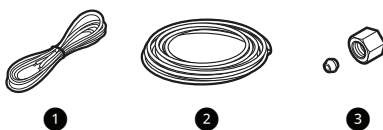
[https://www.lg.com/ca\\_fr/soutien/aide-produit/CT20100059-20152463332979](https://www.lg.com/ca_fr/soutien/aide-produit/CT20100059-20152463332979)

### ⚠ WARNING

- **DISCLAIMER** - This Guide is strictly confidential and shall not be copied, disclosed, distributed, disseminated, publicized or reproduced, in whole or in part, without the prior written authorization of LG Electronics.

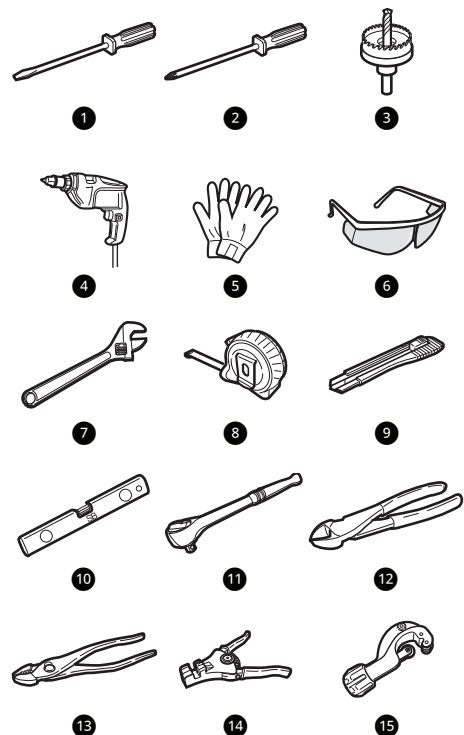
The Guide may contain inaccuracies and/or typographical errors and may be changed or updated at any time by LGE without notice.

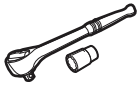
### Parts not Provided



- 1 Electrical Cable
- 2 Water Supply Tube
- 3 Fittings for Tube
- 4 Coupler
- 5 Electrical Tape
- 6 Air Gap
- 7 Wire Nuts for 16-Gauge Wiring
- 8 Hose Clamp
- 9 UL Approved Strain Relief

### Tools Needed





16

- 1 Flat-Blade Screwdriver
- 2 Phillips Screwdriver
- 3 Hole Saw min. 2 1/2" bit
- 4 Electric Drill
- 5 Gloves
- 6 Safety Glasses
- 7 Adjustable Wrench
- 8 Tape Measure
- 9 Utility Knife
- 10 Level
- 11 1/4" Square Drive Wrench
- 12 Nipper
- 13 Pliers
- 14 Wire Stripper
- 15 Tubing Cutter
- 16 3/8" Square Drive Wrench + 1/2" Socket

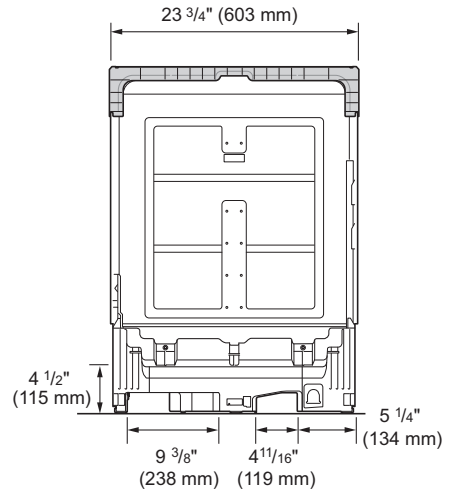
### Installation Overview

Please read the following installation instructions first after purchasing this dishwasher or transporting it to another location.

- 1 Preparing Cabinet Opening
- 2 Preparing Water and Electrical Connections
- 3 Preparing Dishwasher
- 4 Sliding Dishwasher into Cabinet Opening
- 5 Connecting Water Supply Line and Power
- 6 Connecting the Drain Hose
- 7 Leveling Dishwasher
- 8 Securing Dishwasher in Cabinet Opening
- 9 Final Installation Check

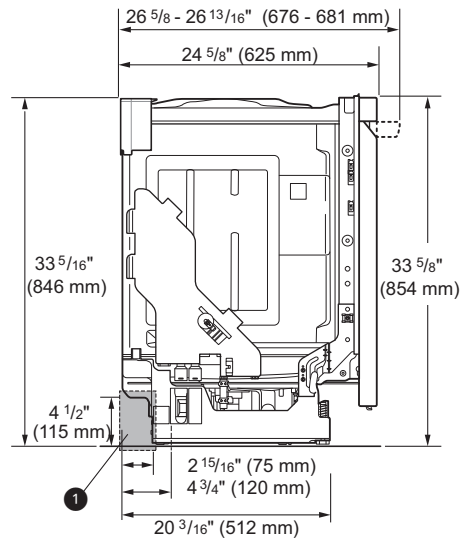
## Product Dimensions

### Back View



### Side View

For easiest installation, see marked areas 1 for water and electrical clearances in base of dishwasher. Water supply hose, drain hose and electric cable should be passed through this area.



## Preparing Cabinet Opening

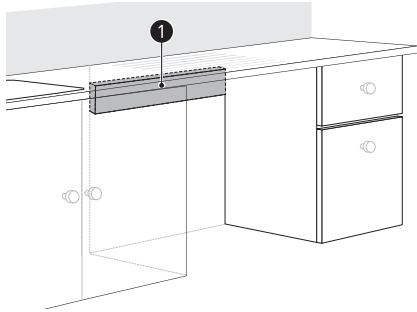
This dishwasher is designed to fit a standard dishwasher opening. An opening may be needed on both sides to route plumbing and electrical connections.

- To ensure proper drainage, install the dishwasher no more than 12 ft. (3.65 m) from the sink.
- The location must have sufficient space for the dishwasher door to open easily and provide at

## 12 INSTALLATION

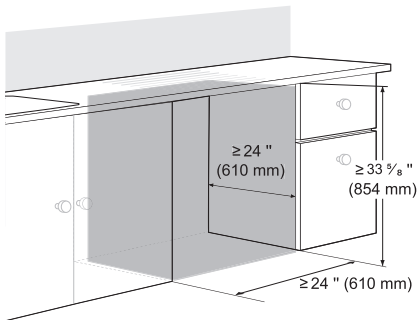
least 0.1" (2 mm) between the dishwasher and the cabinet sides.

- If installing the dishwasher in a corner, leave a minimum of 2" (50 mm) between the dishwasher and the adjacent wall.
- The adjacent wall must be free of obstructions.
- For flush installations only, you may remove the cabinet brace ❶ inside the cabinet.

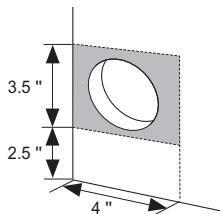


### Choosing the Proper Location

- 1 Select a location as close to the sink as possible for easy connections to water supply line, drain hose and electrical connection.

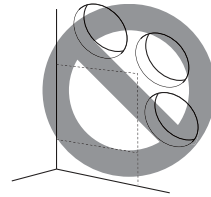


- 2 To allow for proper clearance of plumbing and electrical, use the template included with the literature to determine the clearance on the side of the cabinet where the cabinet meets the back wall. Using a 2 1/2" diameter hole saw, drill a hole in the target area as shown on the template.



### ⚠ WARNING

- Installation damage is not covered by the warranty, and leaks caused by improper installation may result in property damage.
- Do not use existing holes unless they are in the target area.
- Failure to properly locate the hole for the water and drain lines may prevent the dishwasher from installing flush with the cabinets and could result in kinked, pinched, crushed, stressed or damaged lines.



### Preparing Water and Electrical Connections

#### ⚠ WARNING

- Water Connection
  - Do not reuse an old hose. Use only a new hose when installing the dishwasher. The old hose could leak or burst causing flooding and property damage. Contact an LG Customer Information Center for assistance in buying a new hose.
- Electrical Connection
  - Use a time-delay fuse or circuit breaker.
  - Operate this appliance with the correct voltage as shown in this manual and on the rating plate.
  - The wiring must be grounded properly. If in doubt, have it checked by a qualified electrician.
  - Connect the appliance using 3-wires, including a ground wire.
  - The appliance and outlet must be positioned so that the plug is easily accessible.
  - Do not use an extension cable or adapter with this dishwasher.
  - Do not overload the outlet with more than one appliance.
  - The included 16AWG wire nuts should be used.

- It is the personal responsibility and obligation of the product owner to have a proper outlet installed by a qualified electrician.

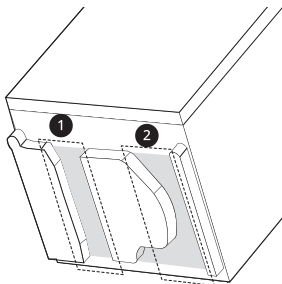
**CAUTION**

- When connecting the dishwasher water supply line to the house water supply, sealing tape or compound should be used on pipe threads to avoid leaks. Tape or compound should not be used on compression fittings.
- Connect the dishwasher to a hot water supply with a temperature range between 120 °F (49 °C) and 149 °F (65 °C). This temperature range provides the best washing results and shortest cycle time. To prevent damage to dishes, the temperature should not exceed 149 °F (65 °C).
- Water supply pressure must be between 20 psi and 80 psi (140–550 kPa). If the water supply pressure exceeds 80 psi, a pressure reducing valve must be installed. Otherwise premature failure of the inlet valve may occur.

**Routing Water Supply Line and Electrical Wiring**

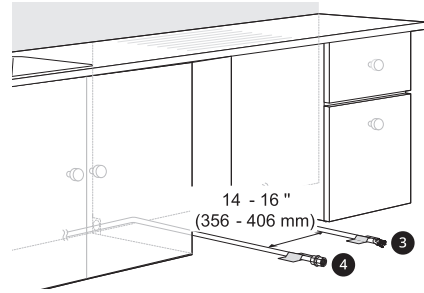
There are 2 channels in the bottom of the dishwasher for routing the water and electrical connections.

- As shown in the bottom view below, channel 1 is for the water supply line, and channel 2 is for the electrical cable.



- 1 Turn off the house water supply and the circuit breaker or dedicated power before connecting the dishwasher.
- 2 Run the water supply line along the floor 6 1/2" – 7 3/4" (165 mm – 197 mm) from the left side of the opening and tape it in place in front of the opening.

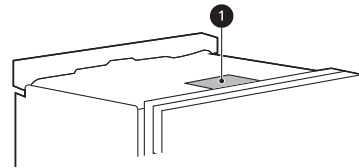
- 3 Run the electrical cable 3 along the floor 14" – 16" (356 mm – 406 mm) from the water supply line 4 and tape it in place.
  - The electrical outlet must be within 4 ft. (1.22 m) of either side of the dishwasher.
  - The best location for the electrical conduit is on the right side of the back wall. Re-route the electrical cable before installation if the electrical conduit pipe is longer than 3" (76 mm) and is centered on the back wall.



**Preparing Dishwasher**

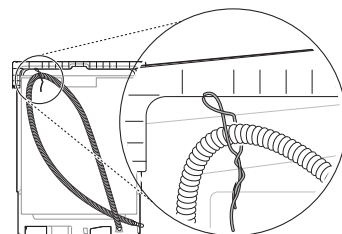
**WARNING**

- Do not remove safety cover 1. Removal can result in fire, electric shock or death.



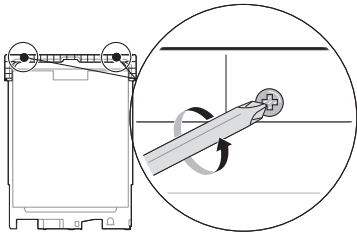
**Releasing Drain Hose**

Remove the twist tie holding the drain hose to the back of the shipping brace.



## Removable Shipping Brace

The rear shipping brace can be removed if additional clearance is needed when installing the dishwasher under a low countertop.

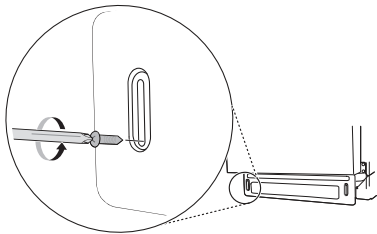


## Removing Lower Cover

### ⚠ CAUTION

- If you lay the dishwasher on its back, do so carefully to avoid damaging the drain hose and the tub.

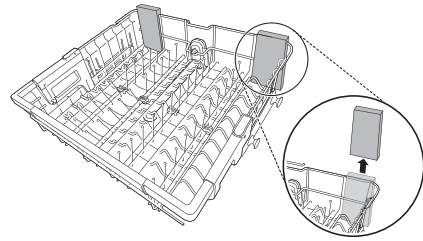
- 1 Remove the screws at either side which attach the lower cover to the dishwasher.



- 2 Remove the lower cover.
- 3 If there is insulation padding behind the lower cover, remove it.
- 4 Set the parts aside until the installation is complete.

## Removing Packing Materials from the Interior

Remove all packing materials from the interior of the dishwasher before installing the appliance.



## Attaching Installation Brackets

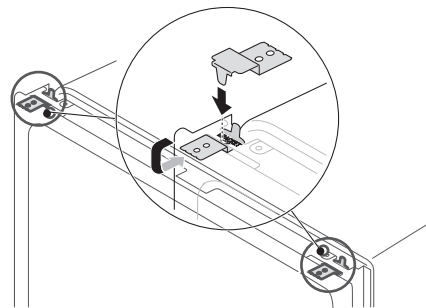
For countertops made of wood or other materials that will not be damaged by drilling, use the metal installation brackets provided.

For countertops made of granite, marble, or other materials that could be damaged by drilling, use the wood screws to attach the dishwasher to the cabinet. See installation instructions in **Securing Dishwasher to Cabinet Opening**.

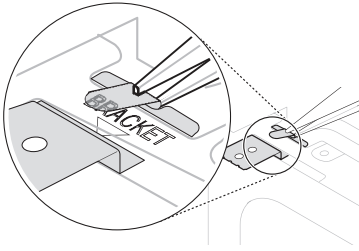
### NOTE

- Installation brackets and screws can be found in the silverware basket.

- 1 Insert the tabbed end of the installation brackets into the slots in the upper frame. Rotate the brackets until the tabbed ends are facing up.



- 2 Bend the tabs on the brackets to secure them to the frame using a pair of needle nose pliers.

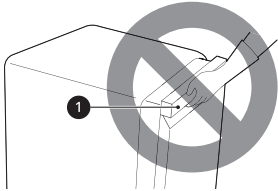


## Sliding Dishwasher into Cabinet Opening

### How to Slide Dishwasher

#### CAUTION

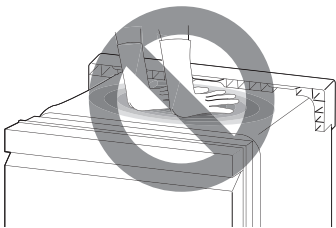
- Do not pull or lift the dishwasher using the handle ❶. Doing so can damage the door and hinges.



- Do not push the door of the dishwasher with knees when sliding the dishwasher into position. Doing so can damage the front cover.

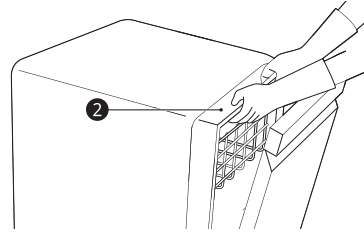


- Do not push the top of the dishwasher. Doing so can damage the interior of the dishwasher.

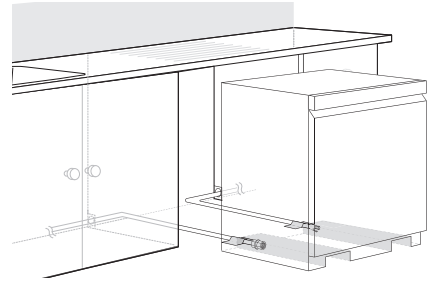


#### NOTE

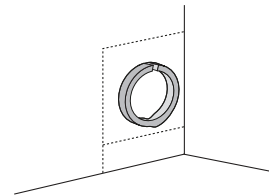
- Open the door and grab the body frame and the top front opening ❷ of the tub to move or lift the dishwasher.



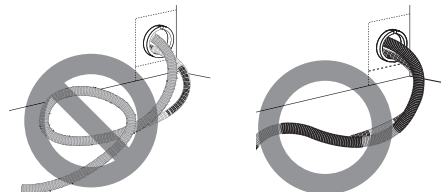
- Align the dishwasher with the opening. Make sure the water supply line and electrical cable are in the correct positions to slide into their channels properly.



- Smooth out or pad the edges of the hole drilled for the water supply to avoid damaging the drain hose.



- Make sure the drain hose is straight before feeding the end of it through the hole for the water supply. As you slide the dishwasher into the opening, you will want to slowly pull on the drain hose from inside the cabinet to take up some slack. Be careful not to kink, pinch, crush or stress the drain hose during installation to avoid leaking and water damage.

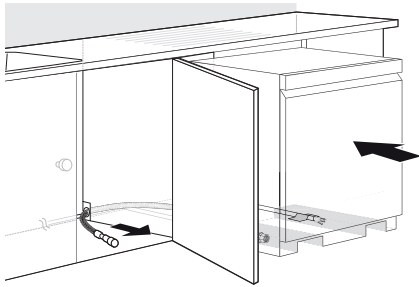


- 4** Gradually slide the dishwasher into the opening, making sure that the water supply line and electrical cable are passing freely through the channels and do not get caught under the dishwasher.

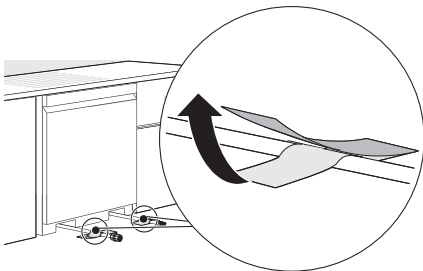
**⚠ CAUTION**

- To avoid malfunctions or leakage, it is important that the drain hose not get kinked, pinched, stressed or crushed behind or under the dishwasher or inside the neighboring cabinet.
- Damage resulting from improper installation is not covered under the warranty.

- As you slide the dishwasher into the opening, stop periodically (or have an assistant help) to take up the slack by pulling the drain hose farther into the cabinet.



- 5** Remove the tape from the water supply line and the electrical cable.



## Connecting Water Supply Line and Power

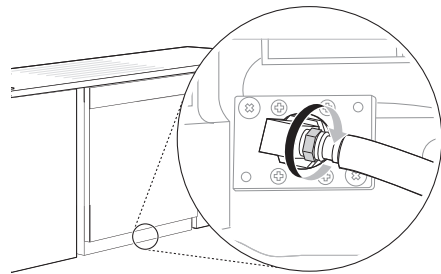
### Connecting Water Supply Line

- 1** With the home water supply turned off, connect the water supply line to the inlet valve on the left front of the dishwasher.

**⚠ CAUTION**

- Tape or compound should not be used on dishwasher inlet valve.

- 2** Tighten the compression nut.

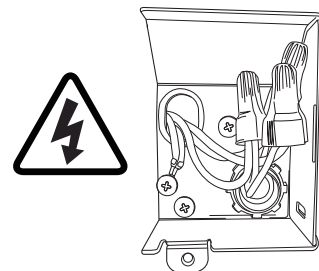


- 3** Slide the water supply line back through the channel, pulling gently from inside the cabinet to make sure the line is not kinked, pinched, stressed or crushed.

### Connecting Power

The dishwasher should have a dedicated properly grounded branch circuit to connect the 3 wire setup which includes the ground wire.

If a 3-prong power supply is used, it should be in an accessible location adjacent to the dishwasher within 4 ft. (1.22 m) of the dishwasher side and not behind the dishwasher.

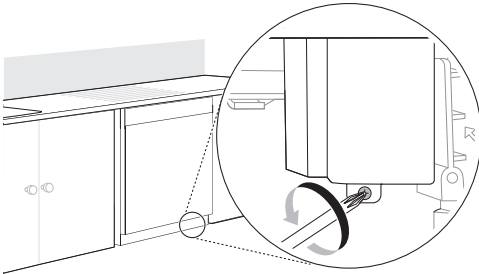


**NOTE**

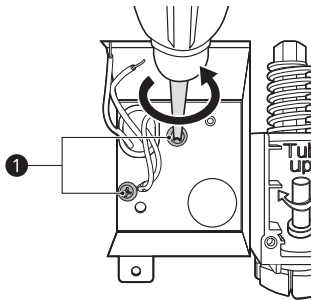
- The best location for the electrical conduit is on the right side of the back wall. Re-route the electrical cable before installation if the electrical

conduit pipe is longer than 3" (76 mm) and is centered on the back wall.

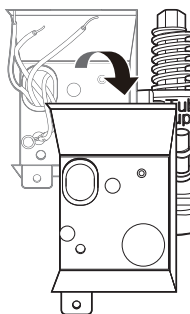
- 1 Turn off electrical power to the unit at the circuit breaker.
- 2 Use a Phillips screwdriver to remove the screw from the junction box cover and remove the cover.



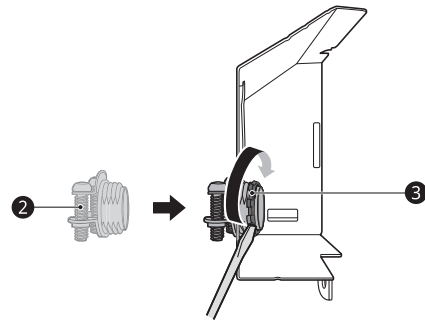
- 3 Use a Phillips screwdriver to remove 2 screws 1.



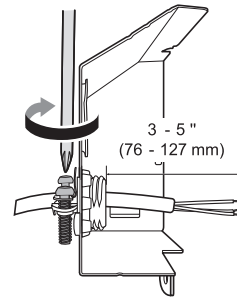
- 4 Remove the junction box from the appliance.



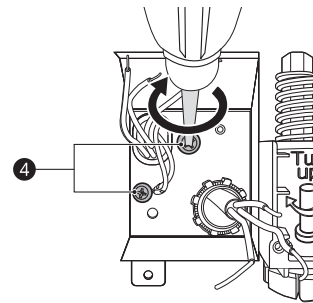
- 5 Insert a strain relief 2 through the hole in the junction box. Tighten the ring nut 3 to secure it in place.



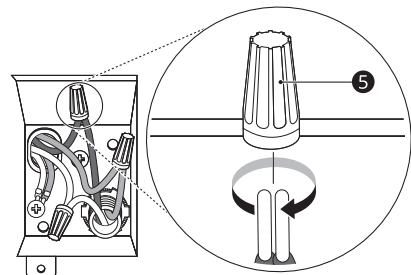
- 6 Insert the electrical cable through the hole in the strain relief. Tighten 2 screws to secure the cable.



- 7 Pull the existing wires through the openings in the junction box. Tighten 2 screws 4 to reassemble the junction box in the appliance.

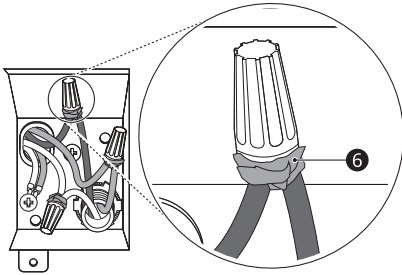


- 8 Pair the white, black, and green wires to the matching colored wires from the dishwasher. Then twist on the provided wire nuts 5 tightly to connect the corresponding wires.



## 18 INSTALLATION

- 9 Wrap electrical tape ⑥ around each connection.



- 10 Fold the connected wires back into the junction box and screw on the junction box cover.

### ⚠ WARNING

- Verify that the black wire is hot (120 V). If not, or if you are unsure of the power supply, have it checked by a licensed electrician.

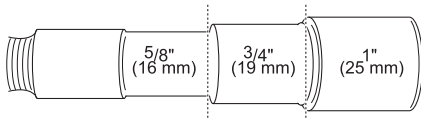
### ⚠ CAUTION

- Do not leave stripped wire exposed. Trim stripped wire to fit completely inside wire nuts.

## Connecting the Drain Hose

If the end of the drain hose does not fit the drain line, use a heat and detergent resistant adapter (not supplied). These may be obtained from a local plumbing supply store.

- Cut the adapter so the end matches the size of the drain connection.



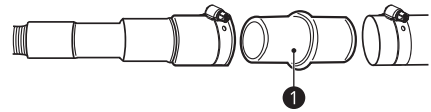
### NOTE

- For drain hose installation, use the screw style hose clamp provided with this dishwasher in the silverware basket.
- If connecting the dishwasher's drain hose to the garbage disposal, be sure to follow your garbage disposal's manual for proper installation instructions.

## Drain Hose Requirements

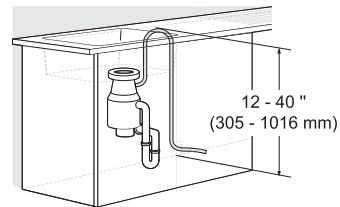
- Follow local codes and ordinances.
- Do not exceed 12 ft. (3.65 m) distance to drain.

- Do not connect drain hoses from other appliances to the dishwasher's drain hose.
- If an extension drain hose is required, use a 5/8" or 7/8" inside diameter, 2-3 ft. length hose and a coupler ① for connecting the two hose ends.



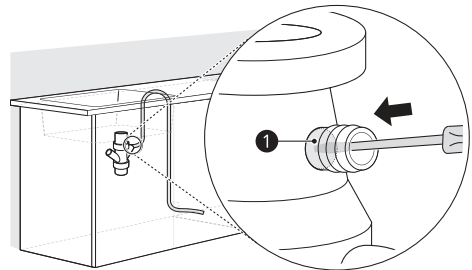
## Height of the Drain Hose

The height of the drain hose end must be at least 12" (305 mm) and within 40" (1016 mm) from the base of the dishwasher to avoid water being siphoned from the tub.



## Connecting to Disposal without Air Gap

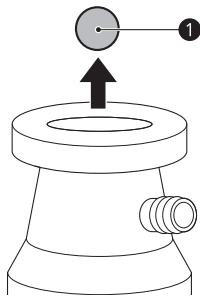
- 1 Remove the knockout plug on the disposal with a hammer and screwdriver.



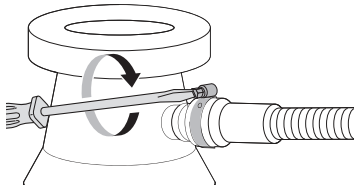
- 2 Remove the knockout plug ① from the disposal.

### ⚠ CAUTION

- If the knockout plug has not been removed, the dishwasher will not be able to drain properly.



- 3** Attach the drain hose to the disposal with the hose clamp provided. Move the hose clamp into position and tighten it with a flat-blade screwdriver.



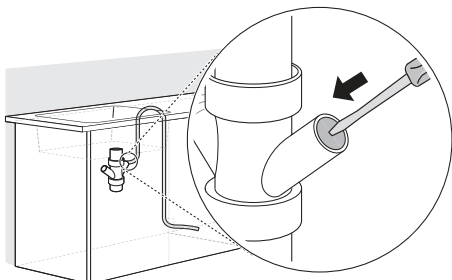
### Connecting Waste Tee without Air Gap

The height of the drain hose end must be at least 12" (305 mm) and within 40" (1016 mm) from the base of the dishwasher to avoid water being siphoned from the tub.

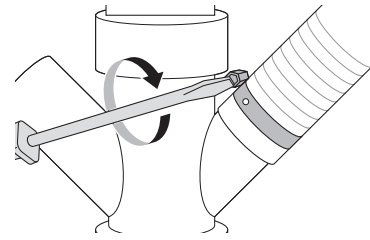
- 1** Remove the knockout plug with a hammer and screwdriver.

#### **⚠ CAUTION**

- If the knockout plug has not been removed, the dishwasher will not be able to drain properly.

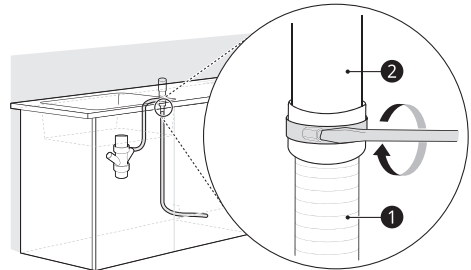


- 2** Attach the drain hose to the waste tee with the hose clamp provided. Move the clamp into position and tighten it with a flat-blade screwdriver.



### Connecting to Disposal or Waste Tee with Air Gap

- 1** Remove the knockout plug with a hammer and screwdriver.
- 2** Connect the end of the drain hose **1** to the air gap **2** with the hose clamp provided. Move the clamp into position and tighten it with a flat-blade screwdriver.
- This avoids water being siphoned from the tub.



- 3** If it is not connected, attach the rubber hose connector to the disposal or waste tee with a hose clamp (not provided).

### Leveling Dishwasher

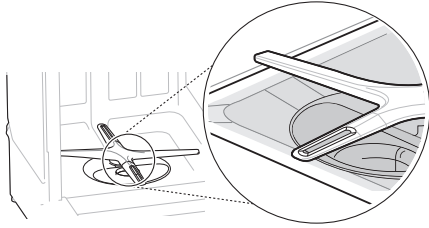
Check that the dishwasher is level and adjust the leveling feet if necessary.

#### **⚠ CAUTION**

- Failure to level the dishwasher may result in leakage, problems closing the door, or noise.
- Where the cabinet opening is narrower than recommended (see **Preparing Cabinet Opening**), the dishwasher must be carefully leveled and aligned so that the dishwasher is supported fully by the 3 leveling feet and is not hanging from the installation brackets. Failure to do so can result in leaks from the front of the dishwasher, RE errors, difficulty in closing the door, or failure to operate.

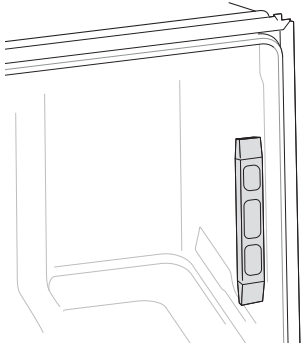
## Checking Leveling

To check that the tub is level from front to back, remove the lower rack and pour 169 oz. (5 L) of water into the bottom of the tub. The water level should be near the center of both tub lower indentations at the front.

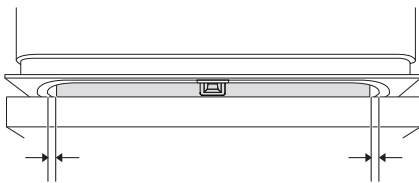


With the lower rack removed, place a level on the inside wall of the tub to check that the dishwasher is level from side to side.

- If you do not have a level, try using a smartphone level application instead.



Make sure that the gap between the tub walls and the door liner is the same on either side.



## Adjusting Leveling Feet

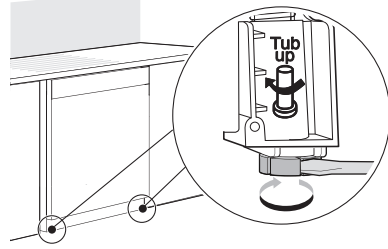
Adjust as needed until the dishwasher is completely leveled.

- Adjust the front and rear leveling feet until they are all in firm contact with the floor. Failure to level the dishwasher may prevent the door from closing properly and the dishwasher will not turn on.

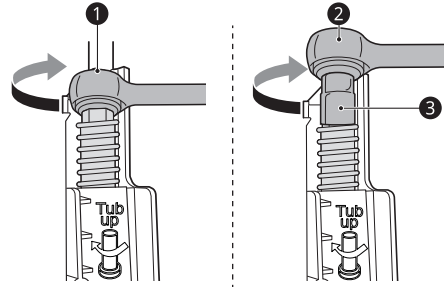
### Adjusting Front Leveling Feet

Use a flat-blade screwdriver to turn the front leveling feet and adjust the front of the tub.

- Turn the front leveling feet clockwise to raise the front of the tub and counterclockwise to lower it.



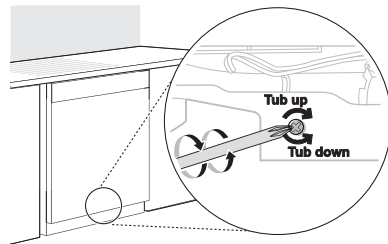
- The adjustments work identically for both front leveling feet.
- When a flat-blade screwdriver is unavailable, use a 1/4" square drive wrench ① or 3/8" square drive wrench ② with 1/2" socket ③ to turn the front leveling feet and adjust the front of the tub.



## Adjusting Rear Leveling Foot

Use a Phillips screwdriver to adjust the rear leveling foot and the rear of the tub using the center screw at the base of the appliance in the front.

- Turn the center screw clockwise to raise the rear of the tub and counterclockwise to lower it.



## NOTE

- To avoid damaging the screw, do not use an electric screwdriver.

## Securing Dishwasher in Cabinet Opening

There are 2 options for securing the dishwasher. If the countertop is made of wood or a material that

can safely be drilled into, secure the dishwasher to the countertop with the provided brackets. If the countertop is granite, marble, or a material that cannot be drilled into, secure the dishwasher to the cabinet frame with the provided wood screws.

**CAUTION**

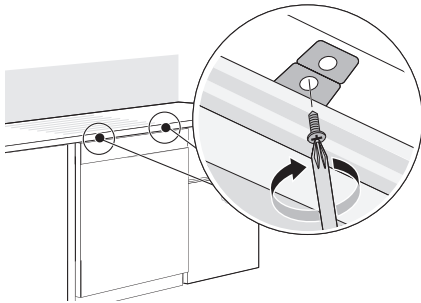
- Ensure the dishwasher is level and all leveling feet are in firm contact with the floor before attaching the dishwasher to the countertop or cabinet. If the dishwasher is not leveled properly, the door may not close properly or water may leak.

**NOTE**

- Installation brackets and screws can be found in the silverware basket.
- Use a magnetic screwdriver.
- Cover the filter hole with towels to prevent screws from falling down into the pump.

**Securing Dishwasher to Countertop**

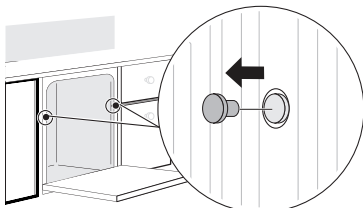
Use the bracket screws provided to secure the brackets at the top of the dishwasher to the underside of the wood countertop.



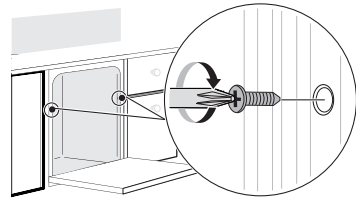
**Securing Dishwasher to Cabinet Frame**

If desired, the dishwasher can also be secured to the cabinet frame using the instructions which follow.

- 1 Remove the 2 plastic caps from the mounting bracket access holes.



- 2 Drive a wood screw through the mounting bracket and into the cabinet frame.



- 3 Reinstall the plastic caps.

**Sound Insulation Sheet**

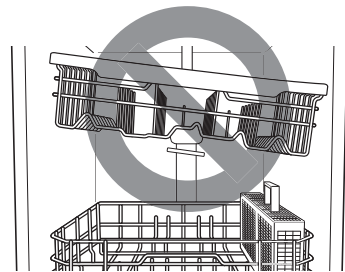
If your model shipped with a sound insulation sheet, follow the instructions provided to install the sheet now. But wait to install the insulation pad and lower cover until after the final installation check.

**Final Installation Check**

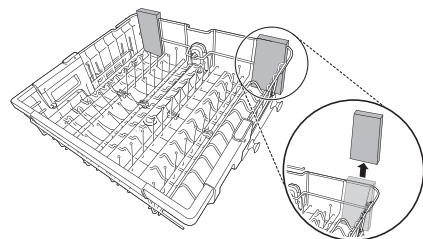
**Testing the Dishwasher**

Check if the dishwasher is properly installed.

- 1 Turn on the circuit breaker.
- 2 Turn on the house water supply.
- 3 Make sure that the door opens and closes smoothly.
  - If necessary, level the dishwasher again.
  - If the door will not close, make sure the rack is level.



- Make sure that all packaging materials have been removed.

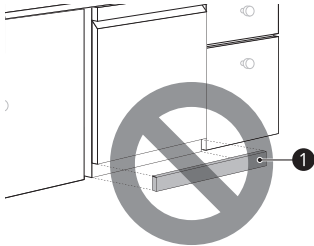


## 22 INSTALLATION

- 4 Power on the dishwasher and run a **1 Hour** cycle to verify proper operation.
- 5 Check for leaks at the drain hose and water supply connection.
- 6 If a water leak is detected, press and hold the **Start** button for 3 seconds to cancel the wash cycle and automatically drain the water from the dishwasher. Tighten all water connections and run another cycle. Repeat until no leaks are detected.
- 7 Replace the lower cover.

### ⚠ CAUTION

- Only install the lower cover provided with the dishwasher. Do not install cabinet baseboard ❶ as it may cause noise and leakage.



Error Code	Possible Cause and Solution
IE	<b>Water supply line is kinked under dishwasher.</b> <ul style="list-style-type: none"><li>• Feed the drain and water supply hoses through the hole under the sink. Then gradually slide the dishwasher into the cabinet while pulling on the hoses under the sink to take up any slack. This helps avoid kinking the hoses or trapping them beneath the dishwasher.</li></ul> <b>House water supply is not turned on.</b> <ul style="list-style-type: none"><li>• Turn the water faucet on.</li></ul>

## Installation Check Error Codes

Refer to the chart below before calling for service.

Error Code	Possible Cause and Solution
OE	<b>Drain hose is kinked or pinched.</b> <ul style="list-style-type: none"><li>• Feed the drain and water supply hoses through the hole under the sink. Then gradually slide the dishwasher into the cabinet while pulling on the hoses under the sink to take up any slack. This helps avoid kinking the hoses or trapping them beneath the dishwasher.</li></ul> <b>Drain hose is connected to the disposal without removing the knockout plug.</b> <ul style="list-style-type: none"><li>• Remove the knockout plug from the disposal.</li></ul> <b>Waste tee or disposal is clogged.</b> <ul style="list-style-type: none"><li>• Remove knockout plug on the waste tee or disposal.</li></ul>

# OPERATION

## Before Using

### WARNING

- To reduce the risk of fire, electric shock, or injury to persons, read the **SAFETY INSTRUCTIONS** before operating this appliance.

### NOTE

- Connect to the hot water supply only. The water supply temperature should be a minimum of 120 °F (49 °C) for better washing performance and shorter cycle time.
- Follow the instructions for loading the dishwasher to ensure effective cleaning.
- Remove insoluble items such as bones, toothpicks, and pieces of paper while loading the dishwasher.

## Quick Start

- 1 Load the dishes.
  - Pull each rack out and load the dishes as described in this manual.
  - Only load items that are dishwasher-safe.
  - Scrape the dishes free of excess food, bones, and any other hard, non-soluble residue. Remove solid, burned-on scraps from dishes prior to loading in the dishwasher.
  - Place items with deep dish bottoms at an angle to help water run off and speed the drying process.
  - Do not load items that are not heat-resistant or have decorative metal trim.
- 2 Add the detergent.
  - Using the guidelines in this manual, fill the detergent cup with the recommended amount of detergent and close the lid. If a prewash is desired, the recess on top of the lid should also be filled with detergent.
- 3 Turn on the dishwasher.
  - To turn on the display panel, press the **Power** button.
- 4 Check the rinse aid.
  - The **Rinse Aid Refill** LED will flash if the level of rinse aid in the dishwasher is low. Add rinse aid if the level is low to maintain the effectiveness of the dry cycle.
- 5 Select the cycle and options.
  - Select the cycle and options that best fit the load by referring to the **Cycle Guide**. The display will show the estimated time for the cycle and options selected.
- 6 Operate the dishwasher.
  - **Method 1**
    - Press the **Start** button and then close the door in less than four seconds to operate the dishwasher. If the door is not closed within four seconds, the white LED with time flashes, an audible tone is heard, and the cycle does not start.
  - **Method 2**
    - Close the door first and then press the **Start** button to operate the dishwasher.

### NOTE

- If the door is opened during the cycle, the dishwasher will stop. To resume the cycle, see methods 1 and 2 above.
- If the door is opened during the cycle and is not closed within four seconds after selecting the **Start** button, or if the door is closed without pressing the **Start** button, the white LED with time flashes, an audible tone is heard, and the cycle does not start.

### 7 End of cycle.

- When the cycle is complete, a chime will sound and the display will show **END** until the door is opened or **Power** is pressed. To

activate or deactivate End display, refer to the **Using the Option Setting Mode** topic.

- It is normal for the dishwasher to chime continuously if you open it during operation or just after the cycle ends. The dishwasher is letting you know that the interior temperatures of the unit are hot and to use caution when reaching inside. Once the unit has cooled down, the chiming will stop.

---

### CAUTION

- Do not open the door during operation or immediately after it has completed the wash cycle as the escaping steam may cause scalding as the door is opened.

---

### NOTE

- Empty the lower rack first and then the upper rack. This will avoid water dripping from the upper rack onto dishes in the lower rack.

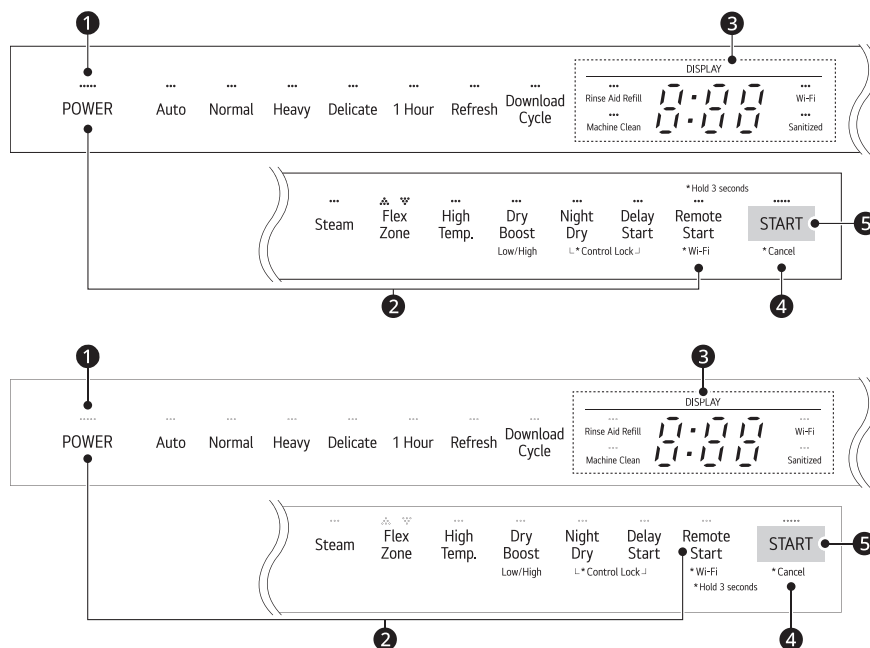
---

### Auto-Off

The dishwasher automatically turns off after four minutes of inactivity if paused or if no cycle is started.

# Control Panel

## Control Panel Features



### 1 Power On/Off Button

- Press this button to turn the washer on or off.
- After the cycle is complete, the power automatically turns off for purposes of safety and economy.
- If there is a power surge, power outage, or disruption of any kind, power is automatically turned off for safety.
- When power is connected again, the dishwasher will turn on automatically and resume the cycle.

### 2 Option Setting Mode

- You can set various options by using the **Option Setting Mode**.
- While a appliance is off, press **Power** and **Remote Start** simultaneously to enter the **Option Setting Mode**.
- Refer to the **Using Option Setting Mode** topic for each function of the **Option Setting Mode**.

### 3 Display

- **Rinse Aid Refill**
  - This LED illuminates when the rinse aid level is low. The LED automatically shuts off when the rinse aid is refilled or the level is set to 0.
  - To adjust the rinse aid level, refer to the **Using the Option Setting Mode** topic.
- **Machine Clean**
  - The **Machine Clean** LED flashes every 30 cycles. To activate or deactivate the LED, refer to the **Using the Option Setting Mode** topic.
- **0:00 : Digital Display**
  - The digital display on the control panel shows the ESTIMATED cycle time. When the cycle and options are selected, the display shows the total estimated time to complete those selections. During operation, the display shows the remaining estimated operating time.

**NOTE**

- The estimated time shown on the display does not include delay times for heating water, etc.
  - If **Delay Start** is selected, the display shows the delay time in hours.
  - Cycle time may vary depending on the soil level of your load.
- 

- **🔒 : Control Lock**

- The **Control Lock** feature helps prevent settings from being changed during a cycle. Selecting this feature locks all of the buttons, except for the **Power** button, on the control panel. This feature does not lock the door.
- While a cycle is running, press and hold **Night Dry** and **Delay Start** simultaneously for three seconds to activate or deactivate **Control Lock**.
- To start a new cycle, deactivate **Control Lock**.

- **Sanitized**

- If the **Steam** option is added to a cycle, the Sanitized indicator stays lit at the end of the cycle if the dishes were properly sanitized (except the **Refresh** cycle).

- **Wi-Fi**

- When the appliance is connected to the internet through a home Wi-Fi network, this LED illuminates.
- Press and hold **Remote Start** for approximately three seconds to connect to the network.

**4 Cancel Button**

- The drain pump activates and the cycle cancels. Once the dishwasher finishes draining, the power turns off.
- Press and hold **Start** for three seconds to activate.

**5 Start Button**

- To operate the machine, either press **Start** and close the door within four seconds or close the door and press **Start**.
- An alert will sound when the door is not closed within 4 seconds after you press **Start** button.

## Wash Cycles

Select your desired cycle.

### Auto

This cycle senses the soil amount and soil toughness and is optimized to achieve the best cleaning.

### Normal

This cycle is for daily, regular, or typical use to completely wash a full load of normally soiled dishes. The **Dry Boost Low** option is recommended for optimal energy efficiency. Select the **Night Dry** option if leaving dishes overnight.

- After the cycle ends, the fan runs for an hour to help vent the warm, moist air in the tub. You can stop the fan by opening the door after the cycle ends.

### Heavy

This cycle is for heavily soiled dishes and dishes with hardened on soil. This cycle defaults to the strongest spray intensity and uses it to wash heavily soiled dishes.

### Delicate

Use this cycle to clean delicate items such as fine china and stemware.

### 1 Hour

This cycle will clean and dry lightly soiled dishes in 1 hour.

- This cycle offers heated drying. To improve drying results, add heated dry time by selecting the **Dry Boost** option.

## Refresh

This cycle freshens up and warms dishes that have been unused for a long time.

- Do not use detergent when using this cycle.
- The steam option cannot be turned off on this cycle.

## Download Cycle

Use a dedicated cycle downloadable via Wi-Fi or NFC. You must install the LG ThinQ smartphone app to download cycles other than the default **Machine Clean** cycle.

### NOTE

- Only the cycle code for the current Download Cycle appears on the appliance. See the smartphone app for cycle codes, names, and more information about the available cycles.
  - Default Cycle : P1-**Machine Clean**
- **Machine Clean** (P1)  
This cycle is for cleaning the inside of the dishwasher. Use the cycle without dishes in the machine. It eliminates residual soils, odor, white spots, and other dirt. Add citric acid or another cleaning agent for more effective results.
- **Express** (P2)  
This cycle will quickly clean lightly soiled dishes.
  - This cycle does not have drying.
- **Rinse** (P3)  
This cycle is a quick rinse for dishes that will not be washed immediately. The cycle rinses dishes that have excess soil to soften dried on residue. Rinsing the dishes helps prevent odors in the dishwasher. No detergent should be used.
  - This cycle does not have drying.
- **Pots & Pans** (P4)  
Cleans heavily soiled cookware. No more hand scrubbing frying pans and pots.
- **Casseroles** (P5)  
Cleans greasy and heavily soiled dishes. Casseroles come out clean.
- **Glassware** (P6)  
Safely washes delicate glassware, leaving it sparkling.
- **Night Care** (P7)  
Quietly washes dishes overnight. Sleep soundly knowing dishes will be clean in the morning.

## Options and Extra Functions

Select the desired cycle and then select the options for that cycle.

### Steam

This option adds steam at the start of the cycle to improve wash performance.

If the **Steam** option is added to a cycle, the **Sanitized** indicator stays lit at the end of the cycle if the dishes were properly sanitized (except the **Refresh** cycle). If the dishwasher could not properly sanitize the dishes because the **Steam** option was not selected, the cycle was interrupted or the water could not be heated to the required temperature, the indicator will not light up at the end of the cycle. Open and close the door or press **POWER** to turn the indicator off.

### NOTE


- This high temperature rinse sanitizes dishes and glassware in accordance with the NSF/ANSI Standard 184 for residential dishwashers. Certified residential dishwashers are not intended for use in licensed food establishments. Only sanitizing cycles have been designed to meet the requirements for soil removal and sanitization efficacy. There is no intention, either directly or indirectly, that all cycles on a certified machine have passed the sanitization performance test.



## Using the Flexible Zone

This option adjusts the wash intensity to target different zones inside the dishwasher. Set it to wash just the upper rack or lower rack, or set the intensity to soft for the upper spray arm and strong for the lower spray arm.

The **Flex Zone** is off by default. Press the **Flex Zone** button to customize settings.

- Press the **Flex Zone** button repeatedly to select one of the three modes.

Mode	Description
 Flex Zone	Various conditions <ul style="list-style-type: none"> <li>• Place heavily soiled dishes like plates and bowls in the lower rack and lightly soiled dishes like cups and small plates in the upper rack to get the best results.</li> </ul>

Mode	Description
 Flex Zone	Small loads & light soil <ul style="list-style-type: none"> <li>Use just the upper rack to save energy and time.</li> </ul>
 Flex Zone	Small loads & heavy soil <ul style="list-style-type: none"> <li>Use just the lower rack to save energy and time.</li> </ul>

### High Temp.

Raises the main wash temperature to improve cleaning.

### Dry Boost

Select the **Dry Boost** option for better drying performance. This option adds heated drying time to the cycle for better drying results.

Mode	Description
<b>Dry Boost Low</b>	Press the <b>Dry Boost</b> button once, for optimal energy efficiency.
<b>Dry Boost High</b>	Press the <b>Dry Boost</b> button twice, for better drying results.
<b>Dry Boost Off</b>	Press the <b>Dry Boost</b> button three times to turn off the <b>Dry Boost</b> option.

- If the rinse aid dispenser is empty, the **Dry Boost Low** option is automatically added to all cycles (except the **Normal, 1 Hour** cycle), unless you set the rinse aid dispenser to L0.

### Night Dry

Dishes are often left in the dishwasher overnight after the cycle ends. This can result in the steam inside the tub condensing on dishes, leaving them wet. This option runs the ventilation fan periodically to help vent the steam from the tub.

- The **Night Dry** option is selected by default for all cycles for which it is available, except the **Normal** cycle.

### Delay Start

This feature delays the start of a selected cycle. Each time the **Delay Start** button is pressed, the delay time increases by an hour. The delay time can be set from 1 to 12 hours, in one-hour increments.

### Remote Start

Use a smartphone to control your appliance remotely. You can also monitor your cycle operation so you know how much time is left in the cycle. Once this function is enabled, you can start a cycle from the smartphone application. If the door is not closed within 4 seconds after pressing **Remote Start**, **Remote Start** is canceled.

### Cycle/Option Guide

The cycle guide below shows the available options for each cycle.

Cycle		Auto	Normal	Heavy	Delicate	1 Hour	Refresh
Soil Level		All levels	All levels	Heavy	Light	Light	Light
Water Usage	(L)	13.2 - 23.7	9.2 - 29.2	23.9 - 27.0	16.6 - 21.7	18.1	8.0
	(gal)	3.5 - 6.3	2.4 - 7.7	6.3 - 7.1	4.4 - 5.7	4.8	2.1
Wash Time with Options (Mins.)		107 - 235	109 - 220	167 - 231	110 - 175	60 - 105	57 - 107

Cycle		Auto	Normal	Heavy	Delicate	1 Hour	Refresh
Available Options	Steam	●	●	●*	●*		●**
	Flex Zone	●	●	●			
	High Temp.	●	●	●		●	
	Dry Boost	●	●	●	●	●	●
	Night Dry	●*	●	●*	●*	●*	●*
	Delay Start	●	●	●	●	●	●

\* Default setting

\*\* Option cannot be turned off

## NOTE

- Actual water consumption will vary depending on soil level and hardness of water.
- The actual running time and cycle time displayed may change depending on options chosen, soil level, water temperature, and hardness of water. Therefore, display time and actual running time can be different.
- Options are not available for **Download Cycle**. The **Machine Clean** cycle is the default **Download Cycle**.

## Using the Option Setting Mode

You can set various options by using the **Option Setting Mode**.



- 1 Ensure the appliance is off.
- 2 Press **Power** ① and **Remote Start** ② simultaneously to enter the **Option Setting Mode**.
- 3 Refer to the table to set up each function.

Function	Button	Display
Machine Clean Reminder	<b>Night Dry</b>	Off ↔ On
Rinse Aid Level	<b>Dry Boost</b>	L2 → L3 → L4 → L0 → L1 → L2 →
Clean Light	<b>High Temp.</b>	On ↔ Off

Function	Button	Display
Chime Sound	<b>1 Hour</b>	On ↔ Off
Auto Setting	<b>Delicate</b>	On ↔ Off
End Sound	<b>Heavy</b>	On ↔ Off

## NOTE

- Machine Clean Reminder
  - The **Machine Clean** LED flashes every 30 cycles. You can activate or deactivate the LED.
- Rinse Aid Level
  - You can adjust the level of rinse aid from L0 to L4.
  - For more information, refer to the **Rinse Aid Dispenser Adjustment** section.
- Clean Light
  - The default ON setting keeps the green light on until the door is opened. If the setting is changed to OFF, the green light turns off after 90 seconds.
- Chime Sound
  - You can turn on/off the volume of the button sound or notification sound.

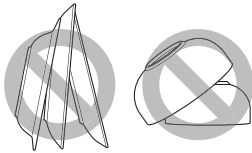
**NOTE**

- The error alert sound cannot be turned off.
- Auto Setting
  - The default ON setting selects options automatically for better washing and drying performance.
  - If the setting is changed to OFF, the options are not selected.
- End Sound
  - You can turn on/off the End sound.

**Loading the Dishwasher**

The extra tall tub allows loading of dishes, pans, or other utensils up to 14" high. For effective washing performance, always follow these instructions.

- Remove large particles of food debris from plates including bones before loading.
- Items with burnt on food should be soaked prior to loading in the dishwasher.
- Deep pots or dishes should be placed upside down.
- Make sure that all items do not touch each other.

**Non-Dishwasher Safe Items**

The combination of high water temperature and dishwasher detergents may damage certain items. Do not wash the following items in the dishwasher.

- Copper or anodized aluminum
- Hand painted silver or gold leaf china
- Wood or bone handled utensils
- Iron or non-rustproof utensils
- Plastic items which are not dishwasher safe
- Sterling silver or gold-plated flatware or delicate or metal-rimmed china
- Fragile items such as crystal glasses

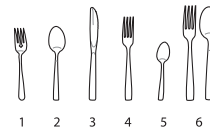
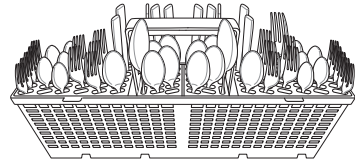
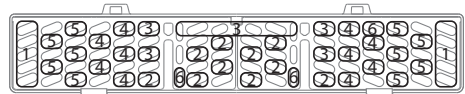
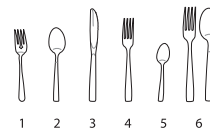
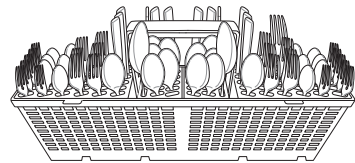
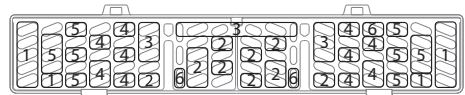
**CAUTION**

- Do not place pots or pans with plastic handles in the appliance as the handles may deteriorate due to the heat and detergent.

- Waterproof or long-lasting lipstick smudges on glasses may not be removed during the wash.

**Loading the Silverware Basket**

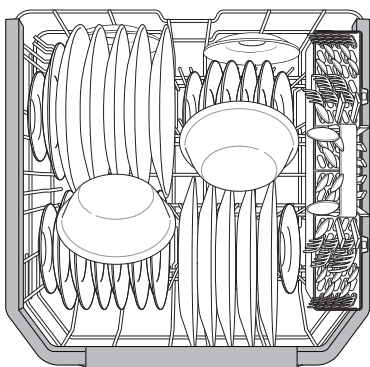
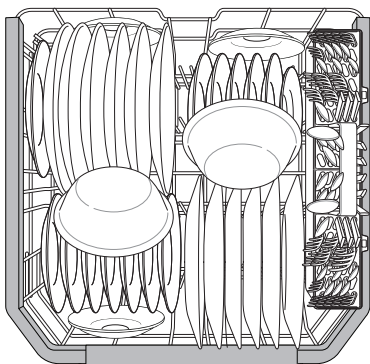
The silverware basket has separators to avoid scratching and tarnishing of delicate silverware.

**Loading Silverware into the Basket****Loading 10 Place Settings****Loading 12 Place Settings****Silverware Loading Tips:**

- For best cleaning results, use the top separators in the basket when loading silverware. The separators will prevent nesting of silverware.
- Load sharp items, such as knives, pointing down.
- When unloading the dishwasher, it is best to start with the silverware basket. Doing so will prevent water droplets from falling on your silverware from the upper rack.

**⚠ WARNING**

- Be careful when loading and unloading sharp items. Load sharp knives with the handles up to reduce the risk of personal injury.

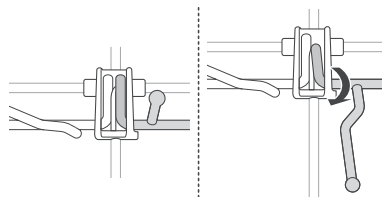
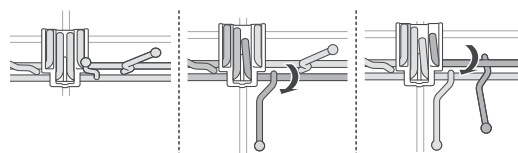
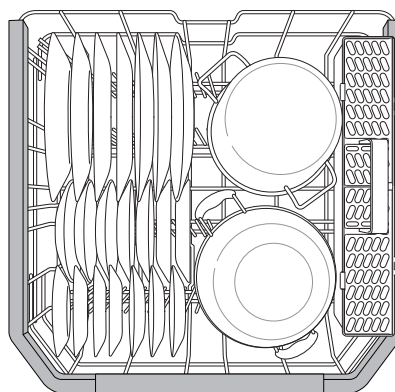
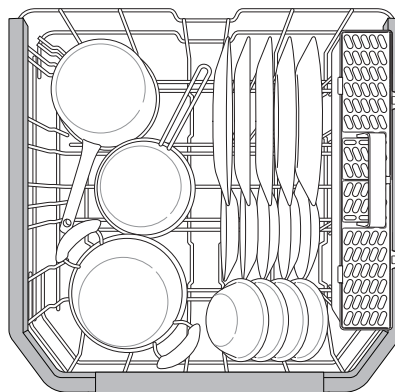
**Loading the Lower Rack****Loading Dishes into the Lower Rack****Loading 10 Place Settings****Loading 12 Place Settings****Lower Rack Loading Tips:**

- Plates should be positioned upright and facing the center of the rack, and pots, pans and large dishes must be turned upside down.
- Load dinner plates, dishes, soup bowls, etc. between the tines.
- Load cookie sheets, cake pans and other large items at the sides or back of the rack. Loading these items in the front of the dishwasher can prevent the water spray from reaching the detergent dispenser.
- Make sure that pot handles and other large items do not stop the rotation of the spray arms.

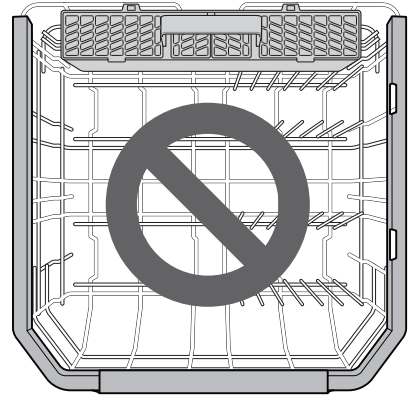
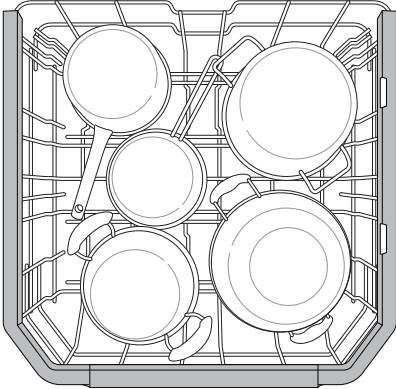
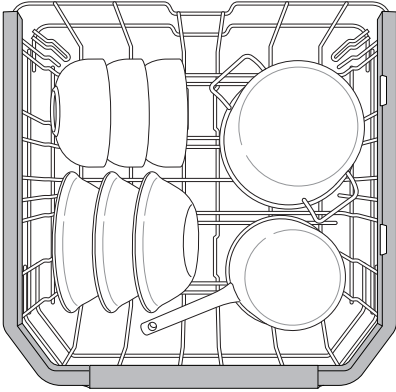
- The lower rack should not be used for small items such as cups, wine glasses, or small plates. These items should be loaded in the upper rack.
- Make sure that large items do not interfere with the rotation of the spray arms, and do not prevent the detergent dispenser from opening.

**Folding Down the Lower Tines**

Fold tines down to fit larger dishes; pull tines back up to fit smaller dishes.

**Case 1****Case 2****Loading Dishes & Pots**

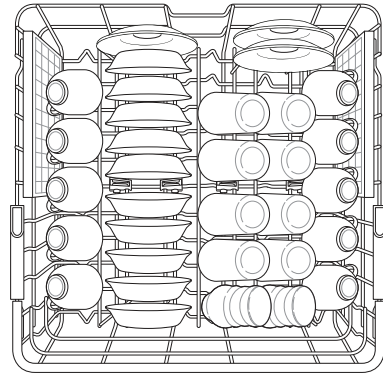
## Loading Pots & Bowls



## Loading the Upper Rack

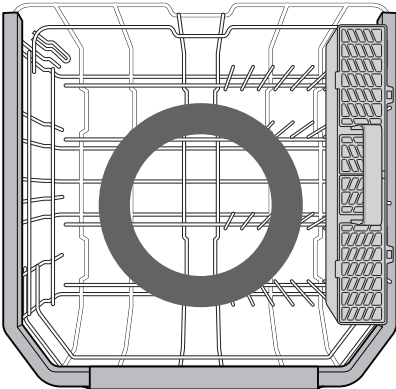
### Loading Dishes into the Upper Rack

### Loading 10 Place Settings

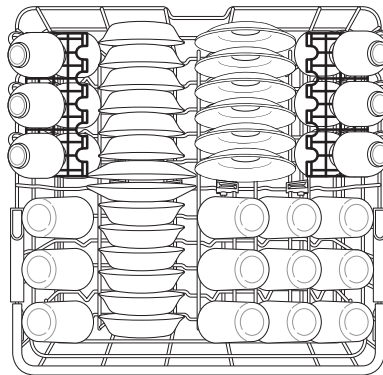


### NOTE

- The silverware basket ships installed at the back of the bottom rack. For best performance, install it along the right side as shown.



### Loading 12 Place Settings



### Upper Rack Loading Tips:

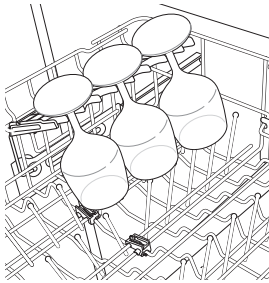
- Place cups and glasses in the rows between the rack tines. Placing them over the rack tines can lead to breakage and water spots.

- To avoid chipping, do not let stemware touch other items.
- Place items so that the open end faces down for cleaning and drying.
- Do not stack items on top of each other.
- Use the upper rack for small or delicate items such as small plates, cups, saucers, glasses, and dishwasher-safe plastic items.
- Cups, glasses, and bowls must be positioned upside down.
- Make sure items do not interfere with the rotation of the spray arms above and below the upper rack.
- When loading larger items in the upper rack, such as wine glasses or taller cups, it may be necessary to remove the cutlery rack if one is present. (For models with cutlery rack)

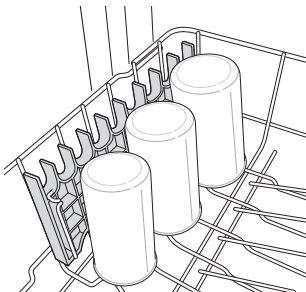
## Loading the Cup Rack

This feature is only available on some models.

Extra cups or cooking utensils can be laid on the fold down cup racks, which also provide support for long-stemmed glasses.



The cup racks can be folded up out of the way for tall glasses.

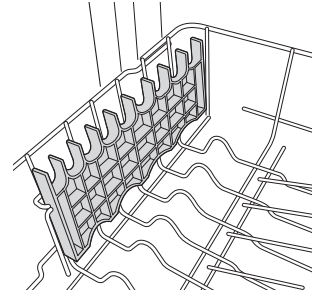


## Removing and Replacing Cup Rack

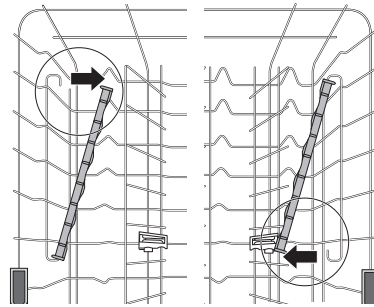
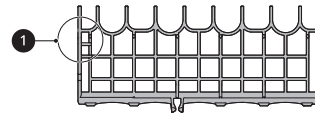
This feature is only available on some models.

The left and right cup racks are interchangeable and can be removed.

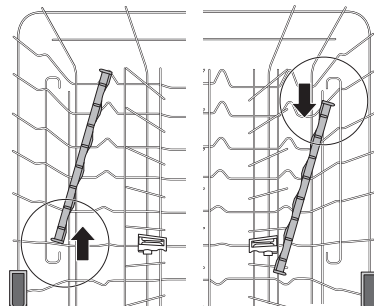
- 1 Slide the cup rack down into its closed position.



- 2 Locate the assembly slot ❶ on the cup rack, align the slot with the bar, and firmly pop the rack off the support bar on that side.
  - The rack on the left pops free at the back. The rack on the right pops free at the front.



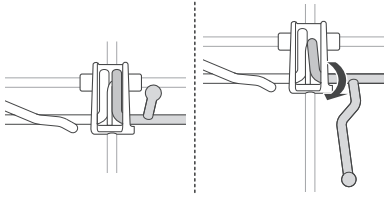
- 3 Slide the cup rack off the support bar on the opposite side.



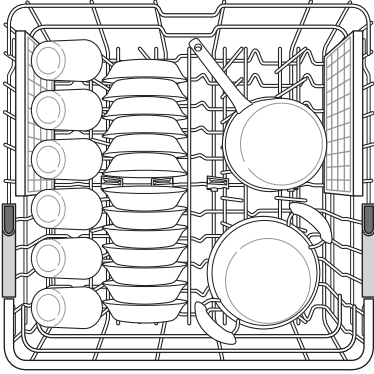
- 4 Follow the instructions in reverse to replace the cup rack.

## Folding Down the Upper Tines

Fold tines down to fit larger dishes; pull tines back up to fit smaller dishes.



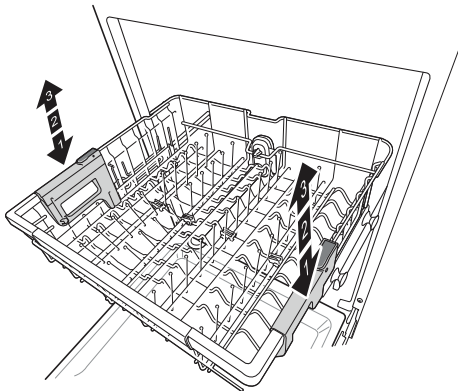
## Loading Dishes & Pots



## Height Adjustable Upper Rack

The upper rack adjusts up and down. Raise the upper rack to allow items up to 14" tall in the lower rack. Lower the upper rack to allow dishes up to 12" tall in the upper rack. The dishwasher ships with the upper rack raised.

There are three available positions for adjusting the height of the upper rack to create more space.

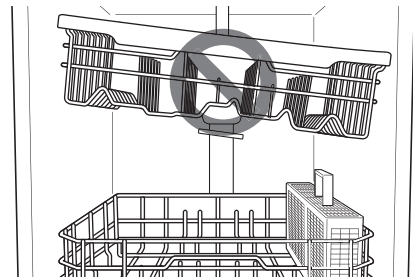


### **⚠ WARNING**

- Before adjusting, ensure the rack is empty of all dishes. Otherwise dishes may get damaged or you may get injured.

### **NOTE**

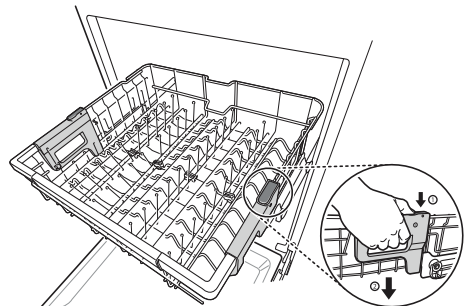
- Raise the upper rack without pushing the buttons on each side. Pushing the buttons when raising the rack will prevent the rack from locking into position.
- To set the rack to the middle position, it may be easier to lower the rack all the way down and then raise each side of the rack individually until it clicks into place.
- Before pushing the upper rack into the dishwasher, ensure the rack height is the same on both sides. If the height is not the same on both sides, the dishwasher door will not shut and the upper spray arm will not connect to the water inlet.



- There is a 2 3/16 inches (56 mm) gain in height when the upper rack is moved to the lower position.
- After adjusting the rack levels, check that the spray arms are free to rotate.
- When the upper rack is in the lower position, make sure the rack and the spray arm do not hit the items on the lower rack.
- When the upper rack is in the lower position, push in the upper rack first, and the lower rack later.
- Pull out the lower rack first, and the upper rack later.

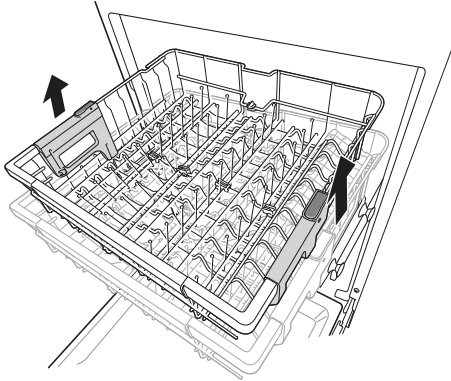
## Lowering the Rack

Hold the rack at the center of each side to support its weight. Then, push the button on each side to release the rack and lower it into position.



## Raising the Rack

Lift the rack at the center of each side until the rack locks into place in the upper position. It is not necessary to lift the lock levers to raise the rack.



## Removing the Snap-In Gliding Upper Rack

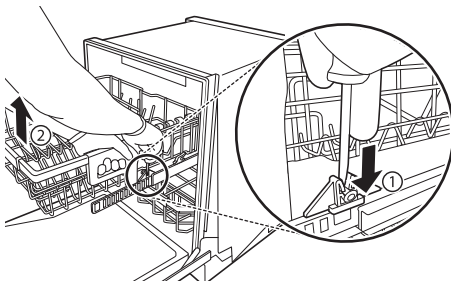
This feature is only available on some models.

These instructions are for models with snap-in rack supports rather than wheeled rack supports.

### ⚠ CAUTION

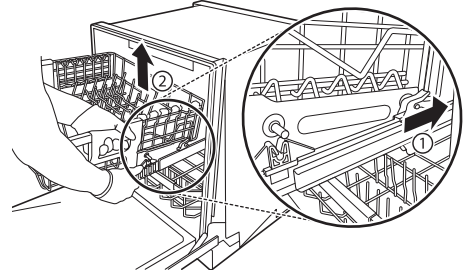
- The snap-in upper rack should only be removed for servicing. If you need to remove the rack, wear gloves and handle the screwdriver carefully to avoid personal injury or damage to the dishwasher.

- 1 Pull the upper rack out until it stops. Remove any contents from the rack.
- 2 To remove the front rack supports from the rails, push the front hooks open with a flat-blade screwdriver while pulling the front of the rack up to snap the front rack support out of the hooks. Repeat to snap the front support out on the opposite side.



- 3 To remove the back rack supports from the rails, hold a side rail with one hand, lift the front of the rack, and firmly push the rack

back to snap the support out of the hooks in the rear. Repeat on the opposite side.



- 4 To replace the rack, place the back rack supports behind the rear hooks and pull the rack forward to snap the supports into the hooks. Then align the front rack supports with the front hooks and push the front of the rack down to snap the supports into the front hooks.

## Loading the Cutlery Rack

The cutlery rack is best suited for flatware. The separators on the cutlery racks help keep flatware separated to avoid damage and improve cleaning.

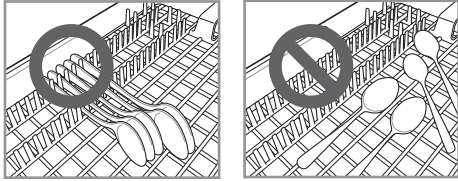
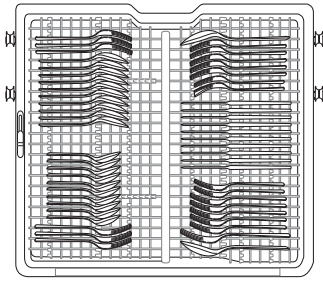
### NOTE

- For best cleaning performance, place flatware in the silverware baskets. Heavily soiled utensils or items with baked on foods should be placed in the middle rack or spoon basket for best performance.

## Loading Silverware into the Cutlery Rack

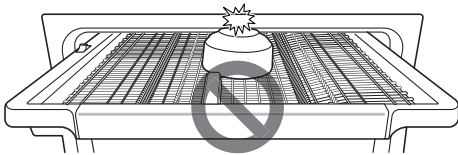
This feature is only available on some models.

## Loading 10 Place Settings



### CAUTION

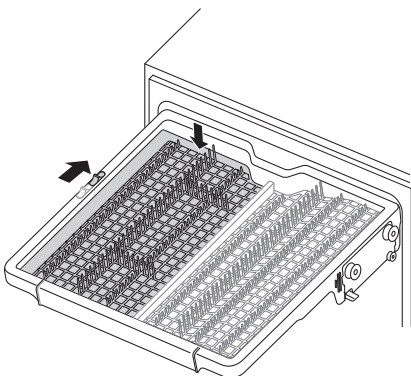
- Do not place bowls in the center of the cutlery rack. The door may not close properly, resulting in leakage.



## Height Adjustable Tray

This feature is only available on some models.

The tray on the left side can be adjusted to a high or low position to accommodate utensils or cutlery of different sizes. Remove dishes before adjusting the tray. Adjust the tray by sliding the lever.

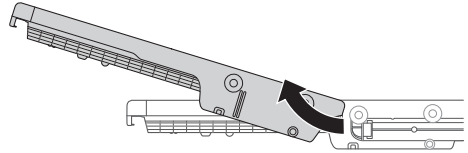


## Removing the Cutlery Rack

The entire cutlery rack can be removed if more space is needed on the upper rack for larger items.

Always remove the cutlery from the rack before removing the rack.

Pull the rack out to the end of the rails. Then, lift the front of the rack so that the rollers clear the stop on the end of the rail. The rack can now be slid forward and removed from the rails.

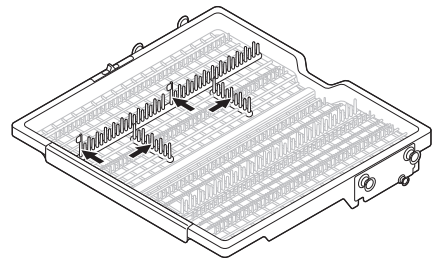


### WARNING

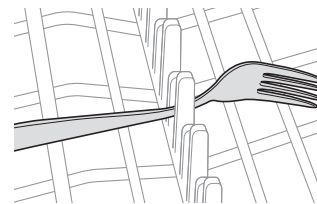
- Be careful when loading and unloading items with sharp edges. Load sharp knives with the blade down to reduce the risk of injury.

## Folding Down the Cutlery Tines

Fold tines to fit flatware.



Pull tines back up to fit smaller dishes.



## Adding Cleaning Products

### Adding Detergent to the Dispenser

- Remove the label on the dispenser prior to running the dishwasher for the first time.
- The amount of detergent needed depends on the cycle, load size, and soil level of dishes.

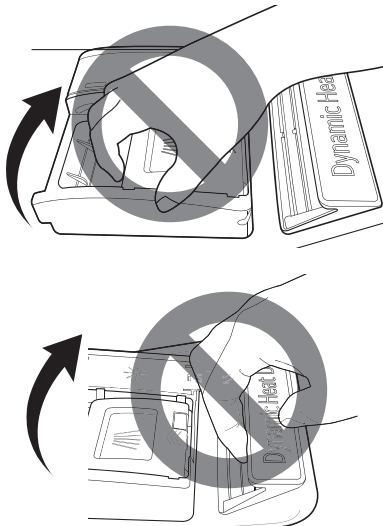
- Put detergent into the detergent compartment before starting any cycle, except the **Rinse (Download Cycle: P3)** cycle.

### ⚠ WARNING

- Dishwasher detergent and rinse aid contain chemical components, like all other household detergent. So, they must be kept out of the reach of children.

### ⚠ CAUTION

- Use only detergent intended for dishwashers. Incorrect detergent may cause the dishwasher to fill with suds during operation. Excess suds may reduce wash performance and may cause the dishwasher to leak.
- To avoid damaging the dispenser and blower cover, do not use them to pull up and close the dishwasher door.

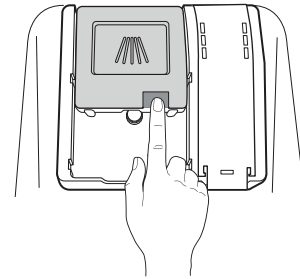


### NOTE

- After completion of the wash program, check whether the detergent was completely washed out.
- Some dishwasher detergent tablets may become stuck in the dispenser due to their excessive size. Tablets can be placed onto the base of the wash tub next to the filter before starting the cycle.
- Too much detergent can leave a film on dishes and in the dishwasher, resulting in poor wash performance.
- If dishwasher detergent tablets are used without liquid rinse aid, the dishes and dishwasher interior will have excessive moisture. Select the **Dry Boost** option for better drying performance.

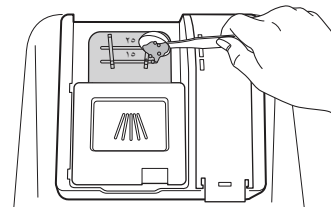
- Using liquid rinse aid improves drying performance by allowing water to drain off of dishes after the final rinse.
- Do not use detergent tablets for shorter wash cycles. The tablet may not dissolve completely, causing detergent residue on dishes and inefficient cleaning.
- Using a wash booster helps remove spots, residue, and the white film caused by hard water. It does not help remove excess detergent residue.

- 1 Push the button on the dispenser lid to open the cover.

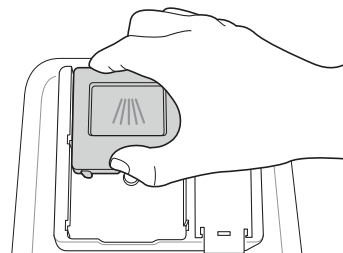


- 2 Add dishwashing detergent to the main wash compartment until the level is between the lines marked 15 and 25.

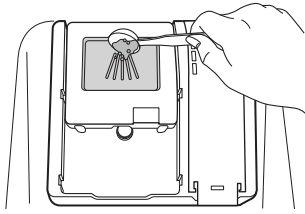
- Fill to over the 25 line for hard water or heavily soiled loads.
- Fill to the 15 line for soft water or lightly soiled loads.



- 3 Slide the detergent lid closed until it clicks.



- 4 If a prewash is desired, fill the recessed prewash compartment area on the lid with detergent.



## Adding Rinse Aid to the Dispenser

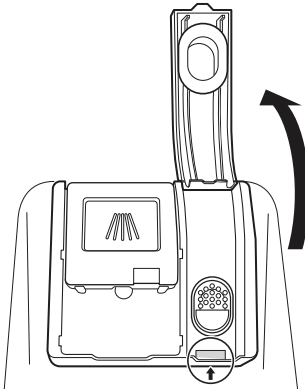
The **Rinse Aid Refill** LED appears in the display when more rinse aid is needed.

The use of rinse aid is recommended to prevent water spots on dishes and to enhance drying performance.

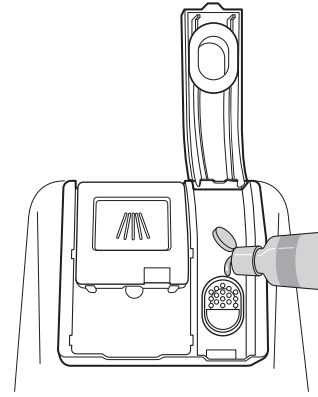
### NOTE

- Only use liquid rinse aid in the dishwasher.
- Do not overfill the rinse aid dispenser.
- Wipe off any spilled rinse aid around the dispenser.

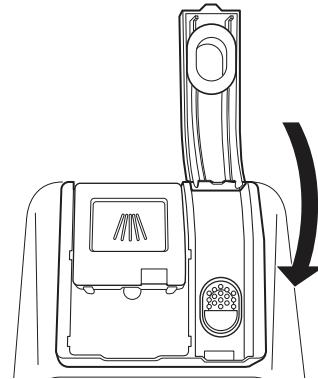
- 1 Open the rinse aid lid by lifting up the flap.



- 2 Add a liquid rinse aid to the maximum fill level. Allow the rinse aid to settle in the dispenser while filling, or air bubbles may result in poor drying performance. Avoid overfilling the dispenser.



- 3 Close the lid to lock the dispenser. Rinse aid is dispensed automatically during the final rinse cycle.



## Rinse Aid Dispenser Adjustment

The dispenser has five adjustment levels. The dishwasher is programmed at the factory for a rinse aid dispenser level of 2. This can be checked and adjusted from the control panel.

### NOTE

- Adjust the setting higher if you have hard water and notice calcium buildup on your dishes.
- Setting the rinse aid control too low will contribute to spotting and streaking on dishes and poor drying performance.
- Setting the control too high can cause foaming, which will cause poor wash performance.

- 1 Ensure the appliance is off.
- 2 Press **Power** and **Remote Start** simultaneously to enter the **Option Setting Mode**.

- 3 Press **Dry Boost** to change the rinse aid dispenser setting. Each press of the button changes the setting one step from L0 to L4.
- 4 Once the desired rinse aid dispenser setting is selected, press **Start** to save.

## Refilling the Rinse Aid

How often the dispenser needs to be refilled depends on how often dishes are washed and the rinse aid setting used.

- The **Rinse Aid Refill** LED flashes when more rinse aid is needed, unless the rinse aid dispenser setting is set to L0.

# SMART FUNCTIONS

## LG ThinQ Application

The **LG ThinQ** application allows you to communicate with the appliance using a smartphone.

### LG ThinQ Application Features

#### • Monitoring

- Check the current status, cycle, options, running time and cycle end time for the appliance on a single screen.

#### • Download Cycle

- You can download new and specialized cycles that are not included in the standard cycles on the appliance. Connect the appliance to the app to download a variety of specialty cycles specific to the appliance. Once cycle download is completed in the appliance, the product keeps the downloaded cycle until a new cycle is downloaded.

#### NOTE

- Only one downloaded cycle can be stored on the appliance at a time.
- The **Machine Clean (P1)** cycle is the default downloaded cycle.

#### • Machine Clean Coach

- This function shows how many cycles remain before running the **Machine Clean (Download Cycle: P1)** cycle.

#### • Smart Diagnosis

- This function provides useful information for diagnosing and solving issues with the appliance based on the pattern of use.

#### • Settings

- Set the Rinse Aid Dispenser Level, Machine Clean Reminder, Signal Level and Clean Indicator Light.

When the cycle is complete or the appliance has problems, you have the option of receiving push notifications on a smart phone.

#### • Push Alerts

- Turn on the **Push Alerts** to receive appliance status notifications.

The notifications are triggered even if the **LG ThinQ** application is off.

#### • Energy Monitoring

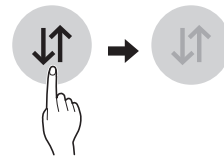
- You can use the energy monitoring function to check the estimated power usage.

#### NOTE

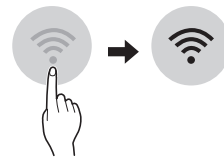
- If you change your wireless router, Internet service provider, or password, delete the connected appliance from the **LG ThinQ** application and connect it again.
- This information is current at the time of publication. The application is subject to change for product improvement purposes without notice to users.

### Before Using LG ThinQ Application

- 1 Check the distance between the appliance and the wireless router (Wi-Fi network).
  - If the appliance is too far from the router, the signal strength becomes weak. It may take a long time to connect or installation may fail.
- 2 Turn off the **Mobile data** or **Cellular Data** on your smartphone.



- 3 Connect your smartphone to the wireless router.



#### NOTE

- To verify the Wi-Fi connection, check that the **Wi-Fi LED** on the control panel is lit.
- The appliance supports 2.4 GHz Wi-Fi networks only. To check your network frequency, contact your Internet service provider or refer to your wireless router manual.
- **LG ThinQ** is not responsible for any network connection problems or any faults, malfunctions, or errors caused by network connection.
- If the appliance is having trouble connecting to the Wi-Fi network, it may be too far from the

- router. Purchase a Wi-Fi repeater (range extender) to improve the Wi-Fi signal strength.
- The Wi-Fi connection may not connect or may be interrupted because of the home network environment.
  - The network connection may not work properly depending on the Internet service provider.
  - The surrounding wireless environment can make the wireless network service run slowly.
  - If the appliance cannot be connected due to problems with the wireless signal transmission, unplug the appliance and wait about a minute before trying again.
  - If the firewall on your wireless router is enabled, disable the firewall or add an exception to it.
  - The wireless network name (SSID) should be a combination of English letters and numbers. (Do not use special characters.)
  - Smartphone user interface (UI) may vary depending on the mobile operating system (OS) and the manufacturer.
  - If the security protocol of the router is set to **WEP**, network setup may fail. Change the security protocol (**WPA2** is recommended) and connect the product again.

- 4 Press the **Remote Start** button and close the dishwasher door to enable the **Remote Start** function.
- 5 Start a cycle from the **LG ThinQ** application on your smartphone.

#### NOTE

- Once the **Remote Start** mode is enabled, you can start a cycle from the **LG ThinQ** application, but the cycle and option keys on the appliance are deactivated. To activate the keys, disable **Remote Start**.
- The door must be closed in order to activate the **Remote Start** mode.

#### Disabling Remote Start

While **Remote Start** is activated, open the dishwasher door or press the **Remote Start** button with the door closed.

#### Radio Equipment Specifications

Type	Frequency Range	Output Power
Wi-Fi	2412 MHz - 2462 MHz	< 30 dBm
Bluetooth	2402 MHz - 2480 MHz	

#### Installing the LG ThinQ Application

Search for the **LG ThinQ** application from the Google Play Store or Apple App Store on a smartphone. Follow instructions to download and install the application.

#### Using the Appliance Remotely

##### Remote Start

Use a smartphone to control the appliance remotely or check to see how much time is left in the cycle.

##### Using Remote Start

- 1 Load the dishes into the dishwasher.
- 2 Press the **Power** button.
- 3 Make sure that the Wi-Fi is connected.

#### FCC Notice

The following notice covers the transmitter module contained in this product.

This equipment has been tested and found to comply with the limits for a Class B digital device, pursuant to Part 15 of the FCC Rules. These limits are designed to provide reasonable protection against harmful interference in a residential installation. This equipment generates, uses, and can radiate radio frequency energy and, if not installed and used in accordance with the instructions, may cause harmful interference to radio communications. However, there is no guarantee that interference will not occur in a particular installation. If this equipment does cause harmful interference to radio or television reception, which can be determined by turning the equipment off and on, the user is encouraged to try to correct the interference by one or more of the following measures:

- Reorient or relocate the receiving antenna.

- Increase the separation between the equipment and the receiver.
- Connect the equipment into an outlet on a circuit different from that to which the receiver is connected.
- Consult the dealer or an experienced radio/TV technician for help.

This device complies with part 15 of the FCC Rules. Operation is subject to the following two conditions:

(1) This device may not cause harmful interference and

(2) This device must accept any interference received, including interference that may cause undesired operation.

Any changes or modifications in construction of this device which are not expressly approved by the party responsible for compliance could void the user's authority to operate the equipment.

### FCC RF Radiation Exposure Statement

This equipment complies with FCC radiation exposure limits set forth for an uncontrolled environment. This transmitter must not be co-located or operating in conjunction with any other antenna or transmitter.

This equipment should be installed and operated with a minimum distance of 20 cm (7.8 inches) between the antenna and your body. Users must follow the specific operating instructions for satisfying RF exposure compliance.

### Industry Canada Statement

This device contains licence-exempt transmitter(s)/ receiver(s) that comply with Innovation, Science and Economic Development Canada's licence-exempt RSS(s). Operation is subject to the following two conditions:

(1) This device may not cause interference.

(2) This device must accept any interference, including interference that may cause undesired operation of the device.

### IC Radiation Exposure Statement

This equipment complies with IC radiation exposure limits set forth for an uncontrolled environment.

This equipment should be installed and operated with a minimum distance of 20 cm (7.8 inches) between the antenna and your body.

---

#### NOTE

- THE MANUFACTURER IS NOT RESPONSIBLE FOR ANY RADIO OR TV INTERFERENCE CAUSED BY UNAUTHORIZED MODIFICATIONS TO THIS EQUIPMENT. SUCH MODIFICATIONS COULD VOID THE USER'S AUTHORITY TO OPERATE THE EQUIPMENT.
- 

### Open Source Software Notice Information

To obtain the source code that is contained in this product, under GPL, LGPL, MPL, and other open source licenses that have the obligation to disclose source code, and to access all referred license terms, copyright notices and other relevant documents, please visit <https://opensource.lge.com>.

LG Electronics will also provide open source code to you on CD-ROM for a charge covering the cost of performing such distribution (such as the cost of media, shipping, and handling) upon email request to [opensource@lge.com](mailto:opensource@lge.com).

This offer is valid to anyone in receipt of this information for a period of three years after our last shipment of this product.

### Smart Diagnosis™ Function

Use this feature to help you diagnose and solve problems with your appliance.

---

#### NOTE

- For reasons not attributable to LGE's negligence, the service may not operate due to external factors such as, but not limited to, Wi-Fi unavailability, Wi-Fi disconnection, local app store policy, or app unavailability.
  - The feature may be subject to change without prior notice and may have a different form depending on where you are located.
- 

### Using LG ThinQ to Diagnose Issues

If you experience a problem with your Wi-Fi equipped appliance, it can transmit troubleshooting data to a smartphone using the **LG ThinQ** application.

- Launch the **LG ThinQ** application and select the **Smart Diagnosis™** feature in the menu. Follow the instructions provided in the **LG ThinQ** application.


## Using Audible Diagnosis to Diagnose Issues

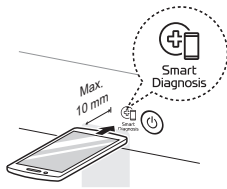
Follow the instructions below to use the audible diagnosis method.

- Launch the **LG ThinQ** application and select the **Smart Diagnosis** feature in the menu. Follow the instructions for audible diagnosis provided in the **LG ThinQ** application.

**1** Press the **POWER** button to turn on the appliance.

- Do not press any other buttons.

**2** Place the mouthpiece of your smartphone close to the  logo.



**3** Press and hold the **Download Cycle** button for 3 seconds or longer while holding the smartphone mouthpiece to the logo until the data transfer is complete.

- Keep the smartphone in place until the data transfer has finished. Time remaining for data transfer is displayed.

**4** After the data transfer is complete, the diagnosis will be displayed in the application.

### NOTE

- For best results, do not move the smartphone while the tones are being transmitted.

# MAINTENANCE

To maintain performance and prevent trouble, it is important to check the outside and inside of the dishwasher, including filters and spray arms, at regular intervals.

## WARNING

- When cleaning the outside and inside of the dishwasher, do not use benzene or thinner. Otherwise, it may cause fire or explosion.
- To prevent injury during care and maintenance or cleaning, wear gloves and/or protective clothing.

## Cleaning and Care

### Cleaning the Exterior

- Do not use scrub pads or abrasive cleaners on the exterior of the dishwasher.
- Most soil can be removed using a soft, damp cloth or sponge. A mild soap can be used to help release stubborn soil. Rinse and wipe dry with a soft cloth after cleaning.
- Stainless steel surfaces can be polished using a stainless steel cleaner. Follow the instructions on the cleaner, and wipe in the direction of the grain.

## CAUTION

- If cooking oil is spilled on the exterior of the product, wipe it off immediately. Do not clean the exterior of the product with cleaners which contain alcohol, thinners, bleach, benzene, flammable liquids, or abrasives. These substances may discolor or damage the appliance.

### Cleaning the Interior

- Clean the interior of the dishwasher periodically with a soft, damp cloth or sponge to remove food and dirt particles.
- To remove white spots and odor from inside the dishwasher, run an empty cycle, without detergent, with one cup of white vinegar in a dishwasher safe glass or bowl placed on the upper rack. (Vinegar is an acid and with constant use it could damage the appliance.)
- Using **Machine Clean**
  - Run the **Machine Clean (Download Cycle: P1)** cycle once a month or after every 30 cycles to eliminate residual soil, odor, white spots and other dirt inside the appliance. The **Machine**

**Clean (P1)** cycle is the default **Download Cycle**.

- 1 Remove all dishes from the appliance.
- 2 Add 3 tbsp. (40 g) of citric acid to the detergent dispenser or follow the manufacturer's instructions if using a dishwasher cleaning agent. Do not use dishwasher detergent.
- 3 Run the **Machine Clean (Download Cycle: P1)** cycle.
- 4 Press **Start**.

## NOTE

- Run the **Machine Clean (Download Cycle: P1)** cycle once a month, or more often if needed, to remove detergent buildup and other residue.
- If you have not used the dishwasher for a long time, refresh the inside by running the **Machine Clean (Download Cycle: P1)** cycle without detergent. When the cycle is finished, clean the inside and outside of the dishwasher according to the **MAINTENANCE** instructions.

## Clogged Drain Air Gap or In-Sink Disposal

Check the drain air gap or in-sink disposal if the dishwasher is not draining well.

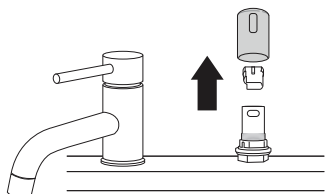
## NOTE

- The drain air gap and disposal are external plumbing devices that are not part of the dishwasher.
- The warranty provided with the dishwasher does not cover service costs directly associated with

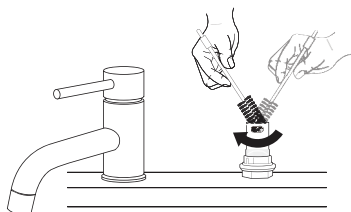
the cleaning or repair of the external drain air gap and disposal.

### Cleaning the Air Gap

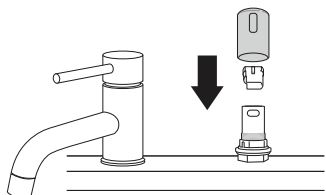
- 1 Turn off the dishwasher.
- 2 Remove the air gap cover and the plastic cap underneath it.



- 3 Clean out any debris with a toothpick or brush.



- 4 Replace the plastic cap and air gap cover.



### Cleaning the Filters

#### ⚠ WARNING

- Be cautious of sharp edges when handling the stainless steel filter.

#### ⚠ CAUTION

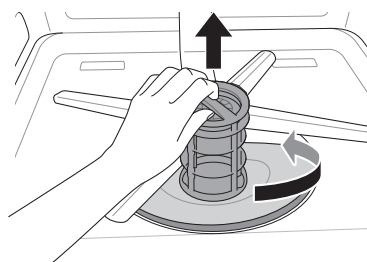
- Remove food residue caught in filters to prevent the buildup of odor-causing bacteria and possible drainage problems.

#### NOTE

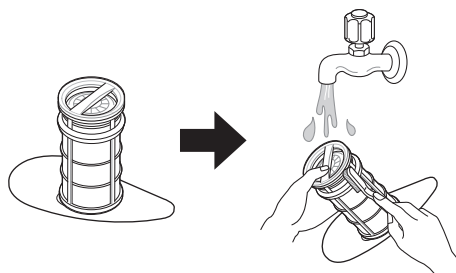
- For best wash performance, clean the filter after each load. If food debris remains in the filter, it may cause an odor.

- In areas with hard water, clean the filter at least once a month with a soft brush.
- Clean the filters using non-abrasive materials and warm running water.

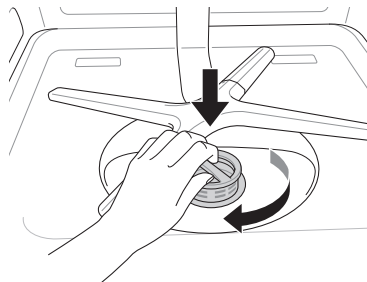
- 1 Remove the lower rack and position the bottom spray arm so a wider vee is open to the front.
- 2 Turn the inner filter counter-clockwise and take out the assembled inner filter and stainless steel filter. With the filters removed, check the sump opening and remove any foreign materials, if needed.



- 3 Clean the filters with a soft brush under running water. Reassemble the filters before reinstalling them.

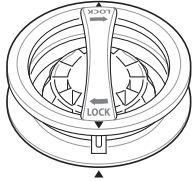


- 4 To replace the assembled filters, position the spray arm so the wider vee is toward the front. Fit the filters back into the filter holder and secure them by turning the inner filter clockwise until it clicks into place.



**NOTE**

- Make sure the filter is assembled correctly before starting a cycle. When assembling, rotate the filter firmly until it clicks.



**Recommended Filter Cleaning Schedule**

Number of Loads Per Week	If you wash dishes before loading	If you scrape and rinse dishes before loading
1 - 3	Every 6 months	Once a year
4 - 7		
8 - 12		Every 6 months
13 - 14		

Number of Loads Per Week	If you only scrape dishes before loading	If you do not scrape or rinse dishes before loading
1 - 3	Four times a year	Once a month
4 - 7		Twice a month (every 15 days)
8 - 12	Every 1.5 months	Every week
13 - 14		Twice a week

**Cleaning the Spray Arm**

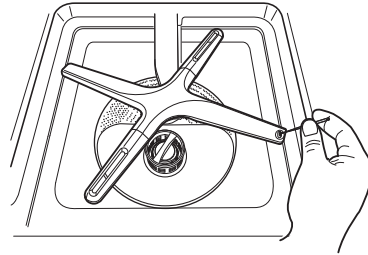
If the spray arm holes are blocked by any food residue, dishes may not be cleaned well due to improper water spray.

It is recommended that the spray arms be cleaned once every two weeks.

**Cleaning the Lower Spray Arm**

- 1 Make sure that the water jet holes are not blocked by food particles.

- 2 If any food residue blocks the spray arm holes, remove it with a pin or any sharp tool.

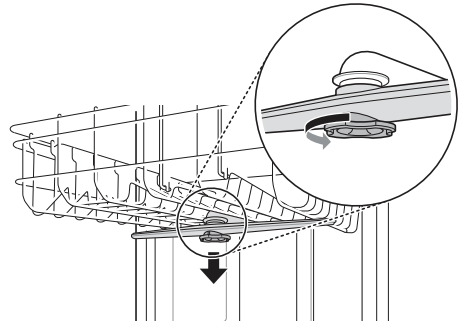


**CAUTION**

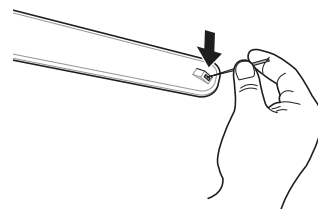
- To avoid breaking the rolling spray arm sections, do not pull or manually rotate them.

**Cleaning the Upper Spray Arm**

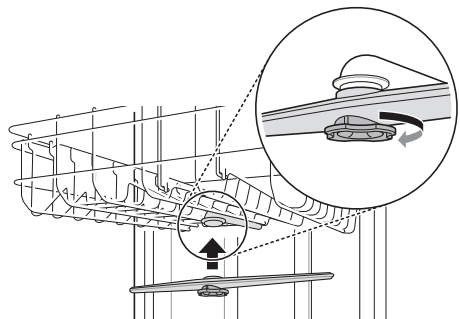
- 1 Pull the upper rack forward. Make sure that the water jet holes are not blocked by food particles.
- 2 When cleaning is necessary, remove the upper spray arm by turning the nut on the bottom of the spray arm 1/8 turn counter-clockwise and pulling down.



- 3 Remove food particles by rinsing or shaking the spray arm.
- 4 If any food residue blocks the spray arm holes, remove it with a pin or any sharp tool.



- 5 After removing the food residue, clean the spray arms under running water.
- 6 After cleaning the upper spray arm, press it up into place. Turn the nut 1/8 turn clockwise to make sure that the nut locks back into place.



- 7 After assembly, make sure that the spray arms rotate freely.

## Seasonal Maintenance and Storage

- If you will be absent for an extended period of time during warmer months, close the water valve and disconnect the power supply line, or turn off the circuit breaker. Clean the filter, tub and dispenser to prevent odor.
- If you will be absent for an extended period of time during colder months and there is a possibility of freezing temperatures, winterize the water supply lines and the dishwasher itself. Winterization must be performed by qualified service personnel.

# TROUBLESHOOTING

The washer is equipped with an automatic error-monitoring system to detect and diagnose problems at an early stage. If the washer does not function properly or does not function at all, check the following before you call for service.

## Before Calling for Service

### FAQs

**Q: Does this dishwasher require a rinse aid to be used?**

A: Rinse aid is strongly recommended to enhance the drying performance of the dishwasher. If a rinse aid is not used, water may remain on the dishes and the tub. Rinse aid helps to ensure that the majority of the water has been sheeted off of the dishes at the end of the rinse and that the load is ready for the dry cycle.

**Q: What can be done if my dishes have a cloudy, white film on them after a wash?**

A: The cloudy film is usually caused by minerals in the water reacting with the dishwasher detergent. First, be certain not to use too much detergent. Refer to **Adding Detergent to the Dispenser** section for recommended detergent amounts. Add an extra rinse to the cycle. LG Dishwashers use less water than traditional dishwashers, so adding an extra rinse helps to rinse the film away. If the water supply is hard, it may be necessary to add a performance booster that addresses the hard water condition.

**Q: How do I remove white film on the tub?**

A: Measure 3 tbsp. (40 g) of citric acid powder and use it to fill the main detergent compartment. Run a **Machine Clean (Download Cycle: P1)** cycle. Do not use detergent.

**Q: What steps can I take to improve drying results?**

A: Drying performance is directly affected by the amount of heat that remains in the tub after the heated rinse is performed. If your dishwasher is far away from your home's hot water heater, it may be necessary to run the hot water tap in the sink before starting a wash cycle, to ensure that cool water is purged from the hot water lines. This will ensure your dishwasher has a consistent supply of hot water from start to finish. Using the **High Temp.** setting also aids in keeping the inner drum temperature and dishes hotter before drying begins.

LG dishwashers are designed to be used in conjunction with a rinse aid. Using a rinse aid will maximize the amount of water that has already been sheeted away from the dishes before the dry cycle begins. If a rinse aid is used and the performance still needs a boost, adjust the amount of rinse aid used. 2 is the default setting, but if necessary set the level to 3 so more rinse aid is used. Water tends to bead rather than sheet off plastic and nonstick surfaces, making them more difficult to dry. If washing plastic items in a Normal cycle, select the **Dry Boost** or **Night Dry** option or both for better drying results. When the rinse aid is empty, the **Dry Boost** option is selected automatically (except the **Normal, 1 Hour** cycle).

Allow the dishwasher to completely finish the dry cycle before opening the door. If the door is opened in the middle of the dry cycle, the heat that is necessary for the hybrid dry system to work will escape. This will cause all of the dishes inside to remain wet once the cycle finishes.

**Q: What is the hybrid drying system?**

A: The dishwasher does not rely on a heating element for the drying process; instead, it relies on the heat that is retained by the dishes and the tub during the wash and rinse cycles to turn the moisture in the tub into humidity.

Warm, moist air in the dishwasher is then pulled into a condensing duct in the door by a fan. The air then cools, which causes the humidity to condense. Room temperature air is also drawn into the duct to help the air cool down faster. When this moisture condenses into a liquid, it is drained out.

#### NOTE

- Rinse aid is required to enhance the drying performance. If no rinse aid is used, water may remain on the dishes and the tub.

#### Q: Why am I hearing a whistling sound from the dishwasher?

A: It is important to determine the duration of the noise and when it happens (what part of the cycle). When water is drawn into the dishwasher, a whistling noise can be heard. This is normal. If the water pressure is too high, it will be louder, so it may be necessary to adjust the water valve to lower the pressure if the noise is too loud.

#### Q: What kinds of dishes can be placed in the dishwasher?

A: Ensure that the dishes you place in the dishwasher are dishwasher safe. Plastic dishware will not dry as effectively as glass and metal dishware. Plastic items do not retain heat as well as glass and metal dishware. Plastic cups and dishes may require some hand drying before being put away at the end of the cycle.

#### Q: Can I run a drain only cycle?

A: To drain standing water, press and hold **Start** for three seconds until the cycle stops. Once the dishwasher finishes draining, the power turns off.

#### Q: Why does my dishwasher continuously chime if I open the door during a cycle or right after the cycle has finished?

A: This is normal. The dishwasher is letting you know that the interior temperatures of the unit are hot and to use caution when reaching inside. Once the unit has cooled down, the chiming will stop.

#### Q: What is Control Lock and how is it activated?

A: **Control Lock** is a feature that prevents the controls from being changed during the cycle. It does not prevent the door from being opened or the unit from being powered off. To activate or deactivate, press and hold **Night Dry** and **Delay Start** simultaneously for three seconds.

#### Q: Can I add an extension to the drain hose?

A: If a drain hose extension is required, use a 5/8" or 7/8" inside diameter, 2 ft ~ 3 ft. length hose and a coupler to connect the two hose ends.

#### Q: An LED is blinking, the machine is chiming, and the dishwasher won't start. What is wrong with the dishwasher?

A: This is a safety feature. The door must be closed within four seconds of pressing the **Start** button. If the door is not closed within four seconds, an LED flashes, an audible alert sounds, and the dishwasher does not operate. To start the dishwasher, open the door and either close the door and press **Start** (front controls) or press **Start** and close the door within four seconds (top controls).

#### Q: Should I pre-rinse dishes before loading them?

A: No, you don't need to pre-rinse the dishes before loading especially if using the **Normal** and **Auto** cycles. The dishwasher washes dishes clean without pre-rinsing.

## User Support Videos

For further assistance, there are videos and tutorials available through the LG.com website.

- 1 On the [www.lg.com](http://www.lg.com) home page, click on the **Support** menu tab to bring up the menu selections. Select **Video Tutorials**.
- 2 Select a product category and then pick a topic or search a keyword.

**NOTE**

- Scan this QR code to quickly access the video search page on the LG website.



## Error Messages

Problem	Possible Cause & Solution
IE	<p><b>Water inlet problem.</b></p> <ul style="list-style-type: none"> <li>• Check for a clogged, kinked or frozen water inlet hose.</li> <li>• Check water supply.</li> </ul>
OE	<p><b>Drainage Problem.</b></p> <ul style="list-style-type: none"> <li>• Check for a clogged, kinked or frozen water drain hose.</li> </ul>
	<p><b>Air gap or disposal is clogged.</b></p> <ul style="list-style-type: none"> <li>• Clean air gap or disposal.</li> </ul>
	<p><b>Filters are clogged.</b></p> <ul style="list-style-type: none"> <li>• Clean filters.</li> </ul>
bE	<p><b>Oversudsing caused by improper detergent, such as liquid dish soap.</b></p> <ul style="list-style-type: none"> <li>• Do not use hand dishwashing liquids. Only use detergents which are designed for use in automatic dishwashers.</li> <li>• A bE error can appear if dishes soiled with a lot of foamy food, such as whipped cream, are loaded in the appliance. To clear the error, turn the appliance off and start a new cycle.</li> <li>• To remove detergent residue in the tub, pour approximately 4 oz ~ 8 oz (100 ml ~ 200 ml) of milk into a shallow bowl, place it in the upper rack and then run the appliance on the <b>Auto</b> cycle.</li> </ul>
	<p><b>Failure to level dishwasher.</b></p> <ul style="list-style-type: none"> <li>• Make sure that the appliance is properly leveled.</li> </ul>
RE	<p><b>Water leakage</b></p> <ul style="list-style-type: none"> <li>• Turn off the water supply to the dishwasher and call an LG Electronics Customer Information Center at 1-800-243-0000 (U.S.A.) or 1-888-542-2623 (Canada).</li> <li>• The dishwasher makes an alert sound for 10 seconds, and runs the drain pump intermittently. If power is turned off to the machine, the machine powers back on automatically until the AE error is resolved.</li> </ul>
FE	<p><b>Excessive Water supplied.</b></p> <ul style="list-style-type: none"> <li>• Please call an LG Electronics Customer Information Center at 1-800-243-0000 (U.S.A.) 1-888-542-2623 (Canada).</li> </ul>

Problem	Possible Cause & Solution
HE	<b>Heater circuit failure.</b> <ul style="list-style-type: none"> <li>Please call an LG Electronics Customer Information Center at 1-800-243-0000 (U.S.A.) 1-888-542-2623 (Canada).</li> </ul>
EE	<b>Water temperature sensor error</b> <ul style="list-style-type: none"> <li>Please call an LG Electronics Customer Information Center at 1-800-243-0000 (U.S.A.) 1-888-542-2623 (Canada).</li> </ul>
F35	<b>Heated air temperature sensor error</b> <ul style="list-style-type: none"> <li>Please call an LG Electronics Customer Information Center at 1-800-243-0000 (U.S.A.) 1-888-542-2623 (Canada).</li> </ul>
LE	<b>Wash motor error</b> <ul style="list-style-type: none"> <li>Please call an LG Electronics Customer Information Center at 1-800-243-0000 (U.S.A.) 1-888-542-2623 (Canada).</li> </ul>
F3I	<b>Heat air dry fan motor error</b> <ul style="list-style-type: none"> <li>Please call an LG Electronics Customer Information Center at 1-800-243-0000 (U.S.A.) 1-888-542-2623 (Canada).</li> </ul>
nE	<b>Vario motor error</b> <ul style="list-style-type: none"> <li>Please call an LG Electronics Customer Information Center at 1-800-243-0000 (U.S.A.) 1-888-542-2623 (Canada).</li> </ul>
P1, P2, P3, P4, P5, P6, P7	<b>The Download Cycle is selected.</b> <ul style="list-style-type: none"> <li>This is not an error code. This code indicates the current <b>Download Cycle</b>.</li> </ul>
n:#, U:#, d:#, t:# (# is a number.)	<b>Test mode is selected.</b> <ul style="list-style-type: none"> <li>This is not an error code. This code is used when testing the dishwasher. Power the unit off and on and the code will disappear.</li> </ul>
L0, L1, L2, L3, L4	<b>Rinse aid level setting mode is selected.</b> <ul style="list-style-type: none"> <li>This is not an error code. This code indicates the current rinse aid level. For more information, refer to the <b>Adding Cleaning Products</b> section.</li> </ul>
CL	<b>Control Lock is activated.</b> <ul style="list-style-type: none"> <li>This is not an error code. This code indicates that the control lock is activated. Press and hold <b>Night Dry</b> and <b>Delay Start</b> simultaneously for three seconds.</li> </ul>

## Operation

Problem	Possible Cause & Solution
Dishwasher will not operate.	<b>Start button is not pressed.</b> <ul style="list-style-type: none"> <li>Press the <b>Start</b> button.</li> </ul>
	<b>Door is not completely closed.</b> <ul style="list-style-type: none"> <li>Make sure that the door is completely closed and latched.</li> </ul>
	<b>Power supply or power supply line is not connected.</b> <ul style="list-style-type: none"> <li>Connect the power supply or power supply line properly.</li> </ul>
	<b>Fuse is blown or circuit breaker tripped.</b> <ul style="list-style-type: none"> <li>Replace the fuse or reset the circuit breaker.</li> </ul>
	<b>Control Lock is activated.</b> <ul style="list-style-type: none"> <li>Deactivate <b>Control Lock</b>.</li> </ul>

Problem	Possible Cause & Solution
Dishwasher operates too long.	<p><b>Dishwasher is connected to cold water.</b></p> <ul style="list-style-type: none"> <li>• Check the water supply connection or water heater setting. (Heating cold water takes longer.)</li> </ul>
Water remains in tub after completion of cycle.	<p><b>Drain hose is kinked or clogged.</b></p> <ul style="list-style-type: none"> <li>• Adjust hose or clear blockage.</li> </ul>
Noise	<p><b>Some level of noise is normal during operation.</b></p> <ul style="list-style-type: none"> <li>• Detergent cover opening.</li> <li>• Drain pump at the beginning of drain cycle.</li> </ul>
	<p><b>The dishwasher is not level.</b></p> <ul style="list-style-type: none"> <li>• Adjust leveling feet.</li> </ul>
	<p><b>Nozzle arm knocking against dishes.</b></p> <ul style="list-style-type: none"> <li>• Reposition the dishes.</li> </ul>
Lights do not illuminate.	<p><b>Power is not connected.</b></p> <ul style="list-style-type: none"> <li>• Connect power supply.</li> </ul>
Spray arms do not rotate smoothly.	<p><b>Holes of spray arms are blocked by food particles.</b></p> <ul style="list-style-type: none"> <li>• Clean the holes of spray arms.</li> </ul>
Upper rack is crooked.	<p><b>Rack is poorly adjusted.</b></p> <ul style="list-style-type: none"> <li>• See the <b>Height Adjustable Upper Rack</b> section.</li> </ul>
Dishwasher continuously chimes when the door is opened, during or right after a cycle has completed.	<p><b>This is a safety measure. Contact with escaping steam or the hot contents of the dishwasher could result in injury.</b></p> <ul style="list-style-type: none"> <li>• Close the door until the dishwasher and dishes have cooled down. The chiming will stop if the door is closed or the interior temperature has cooled.</li> </ul>
Door does not close completely. (For models with cutlery rack)	<p><b>Cutlery rack is not properly loaded.</b></p> <ul style="list-style-type: none"> <li>• Push the door handle to close the door properly until it clicks.</li> </ul>
Dishwasher chimes if panel is touched during operation.	<p><b>Bumping into or touching the control panel during operation may result in a disabled button sound. Only the Power, Start, Control Lock and Remote Start buttons are enabled during operation to prevent cycle settings from being changed inadvertently.</b></p> <ul style="list-style-type: none"> <li>• Button sounds can be turned off by using <b>Option Setting Mode</b>. Refer to the <b>Using the Option Setting Mode</b> topic.</li> <li>• The end of cycle chime and safety alert sounds will still sound.</li> </ul>
Dishwasher did not finish cycle.	<p><b>Door was opened during cycle.</b></p> <ul style="list-style-type: none"> <li>• If the door is opened during a cycle, the Start key must be pressed within 4 minutes or the machine turns off and all settings are lost.</li> </ul>
Leaking in front of appliance	<p><b>Dishwasher not leveled properly.</b></p> <ul style="list-style-type: none"> <li>• Verify the appliance is level from side to side and from front to back. See leveling instructions in the Installation section.</li> </ul>
	<p><b>Wrong detergent used.</b></p> <ul style="list-style-type: none"> <li>• If excessive sudsing is causing the leak, allow the foam to subside for 24 hours then clean the inside of the tub with milk.</li> </ul>

## Performance

Problem	Possible Cause & Solution
<b>Odor</b>	<p><b>The previous cycle was stopped before completion and residual water remains in the dishwasher.</b></p> <ul style="list-style-type: none"> <li>• Turn on the power, run the <b>Cancel</b> cycle option to remove the residual water, then run the <b>1 Hour</b> cycle using detergent but with the dishwasher empty.</li> </ul>
	<p><b>There is food in the bottom of the appliance or in the filter.</b></p> <ul style="list-style-type: none"> <li>• Clean the filter and the interior according to the <b>Maintenance</b> section of the owner's manual.</li> </ul>
	<p><b>Unwashed dishes are left in the appliance for a long time.</b></p> <ul style="list-style-type: none"> <li>• Run a cycle with one cup of white vinegar in a dishwasher safe glass or bowl placed on the upper rack. (Vinegar is an acid, and with constant use it could damage your appliance.)</li> </ul>
	<p><b>After cleaning, the appliance smells like detergent.</b></p> <ul style="list-style-type: none"> <li>• This is normal.</li> </ul>
<b>Food soil remains on dishes.</b>	<p><b>Improper cycle selection.</b></p> <ul style="list-style-type: none"> <li>• Select correct cycle based on soil level and type of dishware being washed.</li> </ul>
	<p><b>Water temperature is too low.</b></p> <ul style="list-style-type: none"> <li>• Check water supply connection or water heater setting.</li> </ul>
	<p><b>Dishwashing detergent was not used.</b></p> <ul style="list-style-type: none"> <li>• Use recommended detergent.</li> </ul>
	<p><b>Low inlet water pressure.</b></p> <ul style="list-style-type: none"> <li>• Water pressure should be between 20 and 80 psi.</li> </ul>
	<p><b>Water jet holes on spray arms blocked.</b></p> <ul style="list-style-type: none"> <li>• Clean the spray arms.</li> </ul>
	<p><b>Improper loading of dishes.</b></p> <ul style="list-style-type: none"> <li>• Make sure dishes do not block spray arm rotation or interfere with detergent dispenser.</li> </ul>
	<p><b>Filters are clogged.</b></p> <ul style="list-style-type: none"> <li>• Clean filters.</li> </ul>
<b>Cloudiness on glassware.</b>	<p><b>Combination of excessive detergent and hard water.</b></p> <ul style="list-style-type: none"> <li>• Use less detergent and use a rinse aid to minimize the problem.</li> </ul>
<b>Black or gray marks on dishes.</b>	<p><b>Aluminum items rubbing dishes during cycle.</b></p> <ul style="list-style-type: none"> <li>• Reposition the dishes.</li> </ul>
<b>Yellow or brown film on inside surfaces of dishwasher.</b>	<p><b>Coffee or tea stains.</b></p> <ul style="list-style-type: none"> <li>• Eliminate the stain by using a stain removal product.</li> </ul>
<b>Spots and filming on dishes.</b>	<p><b>Low water temperature.</b></p> <ul style="list-style-type: none"> <li>• Water supply should be at least 120 °F for best wash performance.</li> </ul>
	<p><b>Overloading.</b></p> <ul style="list-style-type: none"> <li>• Do not overload the dishwasher.</li> </ul>
	<p><b>Improper loading.</b></p> <ul style="list-style-type: none"> <li>• See the <b>Operation</b> section.</li> </ul>
	<p><b>Insufficient water pressure.</b></p> <ul style="list-style-type: none"> <li>• Water pressure should be between 20 and 80 psi.</li> </ul>

Problem	Possible Cause & Solution
Spots and filming on dishes.	<b>Insufficient detergent.</b> <ul style="list-style-type: none"> <li>• Add the recommended amount of detergent. See the Operation section.</li> </ul>
	<b>Rinse aid dispenser is empty.</b> <ul style="list-style-type: none"> <li>• Refill rinse aid dispenser.</li> </ul>
	<b>Hard water buildup in the tub.</b> <ul style="list-style-type: none"> <li>• Remove all dishes, silverware and silverware holder from dishwasher. Only racks should remain in tub. For best results, use citric acid powder (can be found in canning sections of most grocery stores or online). Measure 3 tablespoons (40 g) of citric acid powder. Fill main wash compartment with measured powder. If you cannot find citric acid powder, pour approximately one cup (200 ml - 300 ml) of white vinegar into shallow bowl and place in upper rack. Run <b>Machine Clean (Download Cycle: P1)</b> cycle. Do not use detergent.</li> </ul>
Dishes don't dry.	<b>Rinse aid dispenser empty.</b> <ul style="list-style-type: none"> <li>• Check and refill the rinse aid dispenser if empty.</li> </ul>

## Wi-Fi

Problem	Possible Cause & Solution
Trouble connecting appliance and smartphone to Wi-Fi network	<b>The password for the Wi-Fi network was entered incorrectly.</b> <ul style="list-style-type: none"> <li>• Delete your home Wi-Fi network and begin the connection process again.</li> </ul>
	<b>Mobile data for your smartphone is turned on.</b> <ul style="list-style-type: none"> <li>• Turn off the <b>Mobile data</b> on your smartphone before connecting the appliance.</li> </ul>
	<b>The wireless network name (SSID) is set incorrectly.</b> <ul style="list-style-type: none"> <li>• The wireless network name (SSID) should be a combination of English letters and numbers. (Do not use special characters.)</li> </ul>
	<b>The router frequency is not 2.4 GHz.</b> <ul style="list-style-type: none"> <li>• Only a 2.4 GHz router frequency is supported. Set the wireless router to 2.4 GHz and connect the appliance to the wireless router. To check the router frequency, check with your Internet service provider or the router manufacturer.</li> </ul>
	<b>The appliance and the router are too far apart.</b> <ul style="list-style-type: none"> <li>• If the appliance is too far from the router, the signal may be weak and the connection may not be configured correctly. Move the router closer to the appliance or purchase and install a Wi-Fi repeater.</li> </ul>

# LIMITED WARRANTY

## USA

### TERMS AND CONDITIONS

**ARBITRATION NOTICE: THIS LIMITED WARRANTY CONTAINS AN ARBITRATION PROVISION THAT REQUIRES YOU AND LG ELECTRONICS (“LG”) TO RESOLVE DISPUTES BY BINDING ARBITRATION INSTEAD OF IN COURT, UNLESS YOU CHOOSE TO OPT OUT. IN ARBITRATION, CLASS ACTIONS AND JURY TRIALS ARE NOT PERMITTED. PLEASE SEE THE SECTION TITLED “PROCEDURE FOR RESOLVING DISPUTES” BELOW.**

Should your LG Dishwasher (“Product”) fail due to a defect in materials or workmanship under normal and proper use, during the warranty period set forth below, LG will, at its option, repair or replace the Product. This limited warranty is valid only to the original retail purchaser of the Product (“You”) and applies only when purchased lawfully and used within the United States including U.S. Territories.

Warranty Period	Scope of Warranty	HOW SERVICE IS HANDLED
One (1) year from date of original retail purchase	Labor / Parts	LG will also provide, free of charge, all labor and on-site service to replace the defective part.
Two (2) years from date of original retail purchase	Main control board <sup>†</sup> / Racks / Stainless Steel Door Liner / Tub	Main control board, dishwasher racks, stainless steel door liner, tub. Customer will be responsible for any labor or in-home service to replace defective parts.
Ten (10) years from date of original retail purchase	Direct Drive Motor	Direct Drive motor. Customer will be responsible for any labor or in-home service to replace defective parts.

<sup>†</sup> Main control board is located on the bottom right of the dishwasher when viewed from the front.

- Replacement Products and parts are warranted for the remaining portion of the original warranty period or ninety (90) days, whichever is greater.
- Replacement Products and parts may be new, reconditioned, refurbished, or otherwise factory remanufactured.
- Replaced Product or part(s) will be the property of LG.
- Proof of original retail purchase specifying the Product model and date of purchase is required to obtain warranty service under this limited warranty.

**EXCEPT TO THE EXTENT PROHIBITED BY APPLICABLE LAW, ANY IMPLIED WARRANTY OF MERCHANTABILITY OR FITNESS FOR A PARTICULAR PURPOSE ON THE PRODUCT IS LIMITED IN DURATION TO THE DURATION OF THE ABOVE LIMITED WARRANTY. UNDER NO CIRCUMSTANCES SHALL LG OR ITS U.S. DISTRIBUTORS/DEALERS BE LIABLE FOR ANY INDIRECT, INCIDENTAL, CONSEQUENTIAL, SPECIAL, OR PUNITIVE DAMAGES, INCLUDING, WITHOUT LIMITATION, LOST GOODWILL, LOST REVENUES OR PROFITS, WORK STOPPAGE, IMPAIRMENT OF OTHER GOODS, COST OF REMOVAL AND REINSTALLATION OF THE PRODUCT, LOSS OF USE, OR ANY OTHER DAMAGES WHETHER BASED IN CONTRACT, TORT, OR OTHERWISE. LG’S TOTAL LIABILITY, IF ANY, SHALL NOT EXCEED THE PURCHASE PRICE PAID BY YOU FOR THE PRODUCT.**

**SOME STATES DO NOT ALLOW THE EXCLUSION OR LIMITATION OF INCIDENTAL OR CONSEQUENTIAL DAMAGES OR LIMITATIONS ON HOW LONG AN IMPLIED WARRANTY LASTS, SO THE ABOVE EXCLUSIONS OR LIMITATIONS MAY NOT APPLY TO YOU. THIS LIMITED WARRANTY GIVES YOU SPECIFIC LEGAL RIGHTS AND YOU MAY ALSO HAVE OTHER RIGHTS THAT VARY FROM STATE TO STATE.**

## THIS LIMITED WARRANTY DOES NOT COVER:

- Service trips to deliver, pick up, or install, educate how to operate, correct wiring, or correct unauthorized repairs.
- Damage or failure of the Product to perform during power failures and interrupted or inadequate electrical service.
- Damage or failure of the Product caused by leaky or broken water pipes, frozen water pipes, restricted drain lines, inadequate or interrupted water supply or inadequate supply of air.
- Damage or failure of the Product resulting from operating the Product in a corrosive atmosphere or contrary to the Product owner's manual.
- Damage or failure of the Product caused by accidents, pests and vermin, lightning, wind, fire, floods, acts of nature, or any other causes beyond the control of LG.
- Damage or failure of the Product caused by unauthorized modification or alteration, or if the Product is used for other than the intended purpose, or any water leakage where the Product was not properly installed.
- Damage or failure of the Product caused by incorrect electrical current, voltage, or plumbing codes.
- Damage or failure of the Product caused by transportation, storage, and/or handling, including scratches, dents, chips, and/or other damage to the finish of the Product, unless such damage is reported within one (1) week of delivery.
- Damage or failure of the Product resulting from misuse, abuse, improper installation, repair, or maintenance. Improper repair includes the use of parts not authorized by LG. Improper installation or maintenance includes installation or maintenance contrary to the Product owner's manual.
- Damage or failure of the Product caused by the use of parts, components, accessories, consumable cleaning products, or any other products or services that were not authorized by LG.
- Damage or missing items to any display or open box Product.
- Refurbished Product or any Product sold "As Is", "Where Is", "With all Faults", or similar disclaimer.
- Products with original serial numbers that have been removed, altered, or cannot be readily determined.
- Increases in utility costs and additional utility expenses.
- Any noises associated with normal operation.
- Products used for other than normal and proper household use (e.g., commercial or industrial use) or contrary to the Product owner's manual.
- Costs associated with removal and reinstallation of the Product for repairs, or the removal and reinstallation of the Product if it is installed in an inaccessible location or not installed in accordance with the Product Owner's manual.
- Accessories, removable components, or consumable parts (e.g. Shelves, door bins, drawers, water/air filters, racks, light bulbs, batteries, etc., as applicable), except for internal/functional parts covered under this limited warranty.

**The cost of repair or replacement under these excluded circumstances shall be borne by You.**

TO OBTAIN WARRANTY SERVICE AND ADDITIONAL INFORMATION

Call 1-800-243-0000 and select the appropriate option from the menu.

Or visit our website at <http://www.lg.com>

Or by mail: LG Electronics Customer Service P.O. Box 240007 Huntsville, AL 35813 ATTN: CIC

## PROCEDURE FOR RESOLVING DISPUTES:

ALL DISPUTES BETWEEN YOU AND LG ARISING OUT OF OR RELATING IN ANY WAY TO THIS LIMITED WARRANTY OR THE PRODUCT SHALL BE RESOLVED EXCLUSIVELY THROUGH BINDING ARBITRATION, AND NOT IN A COURT OF GENERAL JURISDICTION. BINDING ARBITRATION MEANS THAT YOU AND LG ARE EACH WAIVING THE RIGHT TO A JURY TRIAL AND TO BRING OR PARTICIPATE IN A CLASS ACTION.

**Definitions.** For the purposes of this section, references to "LG" mean LG Electronics U.S.A., Inc., its parents, subsidiaries and affiliates, and each of their officers, directors, employees, agents, beneficiaries,

predecessors in interest, successors, assigns and suppliers; references to “dispute” or “claim” shall include any dispute, claim or controversy of any kind whatsoever (whether based in contract, tort, statute, regulation, ordinance, fraud, misrepresentation or any other legal or equitable theory) arising out of or relating in any way to the sale, condition or performance of the product or this Limited Warranty.

**Notice of Dispute.** In the event you intend to commence an arbitration proceeding, you must first notify LG in writing at least 30 days in advance of initiating the arbitration by sending a letter to LG at LG Electronics, USA, Inc. Attn: Legal Department- Arbitration 111 Sylvan Avenue, Englewood Cliffs, NJ 07632. You and LG agree to engage in good faith discussions in an attempt to amicably resolve your claim. The notice must provide your name, address, and telephone number; identify the product that is the subject of the claim; and describe the nature of the claim and the relief being sought. If you and LG are unable to resolve the dispute within 30 days, either party may proceed to file a claim for arbitration.

**Agreement to Binding Arbitration and Class Action Waiver.** Upon failure to resolve the dispute during the 30 day period after sending written notice to LG, you and LG agree to resolve any claims between us only by binding arbitration on an individual basis, unless you opt out as provided below. Any dispute between you and LG shall not be combined or consolidated with a dispute involving any other person’s or entity’s product or claim. More specifically, without limitation of the foregoing, any dispute between you and LG shall not under any circumstances proceed as part of a class or representative action. Instead of arbitration, either party may bring an individual action in small claims court, but that small claims court action may not be brought on a class or representative basis.

**Arbitration Rules and Procedures.** To begin arbitration of a claim, either you or LG must make a written demand for arbitration. The arbitration will be administered by the American Arbitration Association (“AAA”) and will be conducted before a single arbitrator under the AAA’s Consumer Arbitration Rules that are in effect at the time the arbitration is initiated (referred to as the “AAA Rules”) and under the procedures set forth in this section. The AAA Rules are available online at [www.adr.org/consumer](http://www.adr.org/consumer). Send a copy of your written demand for arbitration, as well as a copy of this provision, to the AAA in the manner described in the AAA Rules. You must also send a copy of your written demand to LG at LG Electronics, USA, Inc. Attn: Legal Department- Arbitration 111 Sylvan Avenue, Englewood Cliffs, NJ 07632. If there is a conflict between the AAA Rules and the rules set forth in this section, the rules set forth in this section will govern. This arbitration provision is governed by the Federal Arbitration Act. Judgment may be entered on the arbitrator’s award in any court of competent jurisdiction. All issues are for the arbitrator to decide, except that issues relating to the scope and enforceability of the arbitration provision and to the arbitrability of the dispute are for the court to decide. The arbitrator is bound by the terms of this provision.

**Governing Law.** The law of the state of your residence shall govern this Limited Warranty and any disputes between us except to the extent that such law is preempted by or inconsistent with applicable federal law.

**Fees/Costs.** You do not need to pay any fee to begin an arbitration. Upon receipt of your written demand for arbitration, LG will promptly pay all arbitration filing fees to the AAA unless you seek more than \$25,000 in damages, in which case the payment of these fees will be governed by the AAA Rules. Except as otherwise provided for herein, LG will pay all AAA filing, administration and arbitrator fees for any arbitration initiated in accordance with the AAA Rules and this arbitration provision. If you prevail in the arbitration, LG will pay your attorneys’ fees and expenses as long as they are reasonable, by considering factors including, but not limited to, the purchase amount and claim amount. Notwithstanding the foregoing, if applicable law allows for an award of reasonable attorneys’ fees and expenses, an arbitrator can award them to the same extent that a court would. If the arbitrator finds either the substance of your claim or the relief sought in the demand is frivolous or brought for an improper purpose (as measured by the standards set forth in Federal Rule of Civil Procedure 11(b)), then the payment of all arbitration fees will be governed by the AAA Rules. In such a situation, you agree to reimburse LG for all monies previously disbursed by it that are otherwise your obligation to pay under the AAA Rules. Except as otherwise provided for, LG waives any rights it may have to seek attorneys’ fees and expenses from you if LG prevails in the arbitration.

**Hearings and Location.** If your claim is for \$25,000 or less, you may choose to have the arbitration conducted solely on the basis of (1) documents submitted to the arbitrator, (2) through a telephonic hearing, or (3) by an in-person hearing as established by the AAA Rules. If your claim exceeds \$25,000, the right to a hearing will be determined by the AAA Rules. Any in-person arbitration hearings will be held at a location within the federal judicial district in which you reside unless we both agree to another location or we agree to a telephonic arbitration.

**Opt Out.** You may opt out of this dispute resolution procedure. If you opt out, neither you nor LG can require the other to participate in an arbitration proceeding. To opt out, you must send notice to LG no later than 30 calendar days from the date of the first consumer purchaser's purchase of the product by either: (i) sending an e-mail to [optout@lge.com](mailto:optout@lge.com), with the subject line: "Arbitration Opt Out" or (ii) calling 1-800-980-2973. You must include in the opt out e-mail or provide by telephone: (a) your name and address; (b) the date on which the product was purchased; (c) the product model name or model number; and (d) the serial number (the serial number can be found (i) on the product; or (ii) online by accessing <https://www.lg.com/us/support/repair-service/schedule-repair-continued> and clicking on "Find My Model & Serial Number").

You may only opt out of the dispute resolution procedure in the manner described above (that is, by e-mail or telephone); no other form of notice will be effective to opt out of this dispute resolution procedure. Opting out of this dispute resolution procedure will not affect the coverage of the Limited Warranty in any way, and you will continue to enjoy the full benefits of the Limited Warranty. If you keep this product and do not opt out, then you accept all terms and conditions of the arbitration provision described above.

# CANADA

## TERMS AND CONDITIONS

**ARBITRATION NOTICE: THIS LIMITED WARRANTY CONTAINS AN ARBITRATION PROVISION THAT REQUIRES YOU AND LG TO RESOLVE DISPUTES BY BINDING ARBITRATION INSTEAD OF IN COURT, UNLESS THE LAWS OF YOUR PROVINCE OR TERRITORY DO NOT PERMIT THAT, OR, IN OTHER JURISDICTIONS, IF YOU CHOOSE TO OPT OUT. IN ARBITRATION, CLASS ACTIONS AND JURY TRIALS ARE NOT PERMITTED. PLEASE SEE THE SECTION TITLED "PROCEDURE FOR RESOLVING DISPUTES" BELOW.**

Should your LG Dishwasher ("Product") fail due to a defect in materials or workmanship under normal and proper use, during the warranty period set forth below, LG Electronics Canada, Inc. ("LGECI") will, at its option, repair, replace or pro rate the Product upon receipt of proof of the original retail purchase. This limited warranty is valid only to the original retail purchaser of the Product and applies only to a Product distributed, purchased from an authorized retailer and used within Canada, as determined at the sole discretion of LGECI.

WARRANTY PERIOD: (Note: If the original date of purchase can not be verified, the warranty will begin sixty (60) days from the date of manufacture.)		
Dishwasher	Extended Component Warranty (Parts Only) (Consumer will be charged for Labor after One (1) year from the date of purchase.)	
One (1) year from the date of original retail purchase	Two (2) years from the date of original retail purchase	Ten (10) years from the date of original retail purchase
Labor / Parts (internal/functional parts only)	Main control board <sup>†</sup> , Rack, Stainless Steel Door Liner, Tub	DD Motor

<sup>†</sup> Main control board is located on the right bottom of the Dishwasher when viewed from the front.

- Replacement products and parts are warranted for the remaining portion of the original warranty period or ninety (90) days, whichever is greater.
- Replacement products and parts may be new, reconditioned, refurbished, or otherwise factory remanufactured, all at the sole discretion of LGECI.
- Proof of original retail purchase specifying the Product model and date of purchase is required to obtain warranty service under this Limited Warranty.

**LGECI'S SOLE LIABILITY IS LIMITED TO THE LIMITED WARRANTY SET OUT ABOVE. EXCEPT AS EXPRESSLY PROVIDED ABOVE, LGECI MAKES NO, AND HEREBY DISCLAIMS, ALL OTHER WARRANTIES AND CONDITIONS RESPECTING THE PRODUCT, WHETHER EXPRESS OR IMPLIED, INCLUDING BUT NOT LIMITED TO, ANY IMPLIED WARRANTY OR CONDITION OF MERCHANTABILITY OR FITNESS FOR A PARTICULAR PURPOSE, AND NO REPRESENTATIONS SHALL BE BINDING ON LGECI. LGECI DOES NOT AUTHORIZE ANY PERSON TO CREATE OR ASSUME FOR IT ANY OTHER WARRANTY OBLIGATION OR LIABILITY IN CONNECTION WITH THE PRODUCT. TO THE EXTENT THAT ANY WARRANTY OR CONDITION IS IMPLIED BY LAW, IT IS LIMITED TO THE WARRANTY PERIOD SET OUT ABOVE. UNDER NO CIRCUMSTANCES SHALL LGECI, THE MANUFACTURER OR DISTRIBUTOR OF THE PRODUCT, BE LIABLE FOR ANY INCIDENTAL, CONSEQUENTIAL, SPECIAL, DIRECT, INDIRECT, PUNITIVE OR EXEMPLARY DAMAGES, INCLUDING, WITHOUT LIMITATION, LOSS OF GOODWILL, LOST PROFITS, LOSS OF ANTICIPATED PROFITS, LOST REVENUE, LOSS OF USE, OR ANY OTHER DAMAGE, WHETHER ARISING DIRECTLY OR INDIRECTLY FROM ANY CONTRACTUAL BREACH, FUNDAMENTAL BREACH, TORT OR OTHERWISE, OR FROM ANY ACTS OR OMISSIONS. LGECI'S TOTAL LIABILITY, IF ANY, SHALL NOT EXCEED THE PURCHASE PRICE PAID BY YOU FOR THE PRODUCT.**

This Limited Warranty gives you specific legal rights. You may also have other rights that vary from province to province depending on applicable provincial laws. Any term of this Limited Warranty that negates or varies any implied condition or warranty under provincial law is severable where it conflicts with such provincial law without affecting the remainder of this warranty's terms.

## THIS LIMITED WARRANTY DOES NOT COVER:

- Service trips to i) deliver, pick up, or install or; educate on how to operate the Product; ii) correct wiring or plumbing; or iii) correct unauthorized repairs or installations of the Product;
- Damage or failure of the Product to perform during power failures and interrupted or inadequate electrical service;
- Damage or failure caused by leaky or broken water pipes, frozen water pipes, restricted drain lines, inadequate or interrupted water supply or inadequate supply of air;
- Damage or failure resulting from operating the Product in a corrosive atmosphere or contrary to the instructions outlined in the Product's owner's manual;
- Damage or failure to the Product caused by accidents, pests and vermin, lightning, wind, fire, floods, acts of God, or any other causes beyond the control of LGECI or the manufacturer;
- Damage or failure resulting from misuse, abuse, improper installation, repair, or maintenance of the Product. Improper repair includes use of parts not authorized or specified by LGECI. Improper installation or maintenance includes installation or maintenance contrary to the Product's owner's manual;
- Damage or failure caused by unauthorized modification or alteration of the Product, or if used for other than the intended household purpose/use of the Product, or damage or failure resulting from any water leakage due to improper installation of the Product;
- Damage or failure caused by incorrect electrical current, voltage or plumbing codes;
- Damage or failure caused by use that is other than normal household use, including, without limitation, commercial or industrial use, including use in commercial offices or recreational facilities, or as otherwise outlined in the Product's owner's manual;
- Damage or failure caused by the use of any accessories, components or cleaning products, including, without limitation, water filters, that are not approved/authorized by LGECI;
- Damage or failure caused by transportation and handling, including scratches, dents, chips and/or other damage to the finish of the Product, unless such damage results from defects in materials or workmanship and is reported to LGECI within one (1) week of delivery of the Products;
- Damage or missing items to any display, open box, refurbished or discounted Product;
- Refurbished Product or any Product sold "As Is", "Where Is", "With all Faults", or any similar disclaimer;
- Products with original serial numbers that have been removed, altered or cannot be readily determined at the discretion of LGECI;
- Increases in utility costs and additional utility expenses in any way associated with the Product;
- Any noises associated with normal operation of the Product;
- Replacement of any part that was not originally included with the Product;
- Replacement of light bulbs, filters, fuses or any other consumable parts;
- Costs associated with removal and/or reinstallation of the Product for repairs; and
- Shelves, door bins, drawers, handle and accessories to the Product, except for internal/functional parts covered under this Limited Warranty.
- Coverage for "in Home" repairs, for products in-warranty, will be provided if the Product is within a 150 km radius from the nearest authorized service center (ASC), as determined by LG Canada. If your Product is located outside a 150 km radius from a ASC, as determined by LG Canada, it will be your responsibility to bring the Product, at your sole expense, to the ASC for in-warranty repair.

**All costs and expenses associated with the above excluded circumstances, listed under the heading, This Limited Warranty Does Not Cover, shall be borne by the consumer.**

TO OBTAIN WARRANTY SERVICE AND ADDITIONAL INFORMATION, PLEASE CALL OR VISIT OUR WEBSITE:

Call 1-888-542-2623 (7 A.M. to 12 A.M., 365 days a year) and select the appropriate option from the menu, or visit our website at <http://www.lg.com>

## PROCEDURE FOR RESOLVING DISPUTES:

EXCEPT WHERE PROHIBITED AT LAW, ALL DISPUTES BETWEEN YOU AND LG ARISING OUT OF OR RELATING IN ANY WAY TO THIS LIMITED WARRANTY OR THE PRODUCT SHALL BE RESOLVED EXCLUSIVELY THROUGH BINDING ARBITRATION, AND NOT IN A COURT OF GENERAL JURISDICTION. EXCEPT WHERE PROHIBITED AT LAW, YOU AND LG BOTH IRREVOCABLY AGREE TO WAIVE THE RIGHT TO A JURY TRIAL AND TO BRING OR PARTICIPATE IN A CLASS ACTION.

**Definitions.** For the purposes of this section, references to “LG” mean LG Electronics Canada, Inc., its parents, subsidiaries and affiliates, and each of their officers, directors, employees, agents, beneficiaries, predecessors in interest, successors, assigns and suppliers; references to “dispute” or “claim” shall include any dispute, claim or controversy of any kind whatsoever (whether based in contract, tort, statute, regulation, ordinance, fraud, misrepresentation or any other legal or equitable theory) arising out of or relating in any way to the sale, condition or performance of the product or this Limited Warranty.

**Notice of Dispute.** In the event you intend to commence an arbitration proceeding, you must first notify LG in writing at least 30 days in advance of initiating the arbitration by sending a letter to LGECI Legal Team at 20 Norelco Drive, North York, Ontario, Canada M9L 2X6 (the “Notice of Dispute”). You and LG agree to engage in good faith discussions in an attempt to amicably resolve your claim. The notice must provide your name, address, and telephone number; identify the product that is the subject of the claim; and describe the nature of the claim and the relief being sought. If you and LG are unable to resolve the dispute within 30 days of LG’s receipt of the Notice of Dispute, the dispute shall be resolved by binding arbitration in accordance with the procedure set out herein. You and LG both agree that, during the arbitration proceeding, the terms (including any amount) of any settlement offer made by either you or LG will not be disclosed to the arbitrator until the arbitrator determines the dispute.

**Agreement to Binding Arbitration and Class Action Waiver.** Upon failure to resolve the dispute during the 30 day period after LG’s receipt of the Notice of Dispute, you and LG agree to resolve any claims between you and LG only by binding arbitration on an individual basis, unless you opt out as provided below, or you reside in a jurisdiction that prevents full application of this clause in the circumstances of the claims at issue (in which case if you are a consumer, this clause will only apply if you expressly agree to the arbitration). To the extent permitted by applicable law, any dispute between you and LG shall not be combined or consolidated with a dispute involving any other person’s or entity’s product or claim. More specifically, without limitation of the foregoing, except to the extent such a prohibition is not permitted at law, any dispute between you and LG shall not under any circumstances proceed as part of a class or representative action. Instead of arbitration, either party may bring an individual action in small claims court, but that small claims court action may not be brought on a class or representative basis except to the extent this prohibition is not permitted at law in your province or territory of jurisdiction as it relates to the claims at issue between you and LG.

**Arbitration Rules and Procedures.** To begin arbitration of a claim, either you or LG must make a written demand for arbitration. The arbitration will be private and confidential, and conducted on a simplified and expedited basis before a single arbitrator chosen by the parties under the provincial or territorial commercial arbitration law and rules of the province or territory of your residence. You must also send a copy of your written demand to LG at LG Electronics, Canada, Inc., Attn: Legal Department- Arbitration, 20 Norelco Drive, North York, Ontario M9L 2X6. This arbitration provision is governed by your applicable provincial or territorial commercial arbitration legislation. Judgment may be entered on the arbitrator’s award in any court of competent jurisdiction. All issues are for the arbitrator to decide, except that, issues relating to the scope and enforceability of the arbitration provision and to the arbitrability of the dispute are for the court to decide. The arbitrator is bound by the terms of this provision.

**Governing Law.** The law of the province or territory of your purchase shall govern this Limited Warranty and any disputes between you and LG except to the extent that such law is preempted by or inconsistent with applicable federal or provincial/territorial law. Should arbitration not be permitted for any claim, action, dispute or controversy between you and LG, you and LG attorn to the exclusive jurisdiction of the courts of the province or territory of your purchase for the resolution of the claim, action, dispute or controversy between you and LG.

**Fees/Costs.** You do not need to pay any fee to begin an arbitration. Upon receipt of your written demand for arbitration, LG will promptly pay all arbitration filing fees unless you seek more than \$25,000 in damages, in which case the payment of these fees will be governed by the applicable arbitration rules. Except as otherwise provided for herein, LG will pay all filing, administration and arbitrator fees for any arbitration initiated in accordance with the applicable arbitration rules and this arbitration provision. If you prevail in the arbitration, LG will pay your attorneys’ fees and expenses as long as they are reasonable, by

considering factors including, but not limited to, the purchase amount and claim amount. Notwithstanding the foregoing, if applicable law allows for an award of reasonable attorneys' fees and expenses, an arbitrator can award them to the same extent that a court would. If the arbitrator finds either the substance of your claim or the relief sought in the demand is frivolous or brought for an improper purpose (as measured by the applicable laws), then the payment of all arbitration fees will be governed by the applicable arbitration rules. In such a situation, you agree to reimburse LG for all monies previously disbursed by it that are otherwise your obligation to pay under the applicable arbitration rules. Except as otherwise provided for, LG waives any rights it may have to seek attorneys' fees and expenses from you if LG prevails in the arbitration.

**Hearings and Location.** If your claim is for \$25,000 or less, you may choose to have the arbitration conducted solely (1) on the basis of documents submitted to the arbitrator, (2) through a telephonic hearing, or (3) by an in-person hearing as established by the applicable arbitration rules. If your claim exceeds \$25,000, the right to a hearing will be determined by the applicable arbitration rules. Any in-person arbitration hearings will be held at the nearest, most mutually-convenient arbitration location available within the province or territory in which you reside unless you and LG both agree to another location or agree to a telephonic arbitration.

**Severability and Waiver.** If any portion of this Limited Warranty (including these arbitration procedures) is unenforceable, the remaining provisions will continue in full force and effect to the maximum extent permitted by applicable law. Should LG fail to enforce strict performance of any provision of this Limited Warranty (including these arbitration procedures), it does not mean that LG intends to waive or has waived any provision or part of this Limited Warranty.

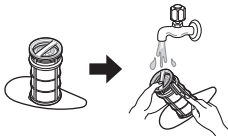
**Opt Out.** You may opt out of this dispute resolution procedure. If you opt out, neither you nor LG can require the other to participate in an arbitration proceeding. To opt out, you must send notice to LG no later than 30 calendar days from the date of the first consumer purchaser's purchase of the product by either (i) sending an e-mail to [optout@lge.com](mailto:optout@lge.com), with the subject line: "Arbitration Opt Out;" or (ii) calling 1-800-980-2973. You must include in the opt out e-mail or provide by telephone: (a) your name and address; (b) the date on which the product was purchased; (c) the product model name or model number; and (d) the serial number (the serial number can be found (i) on the product; or (ii) online by accessing [https://www.lg.com/ca\\_en/support/repair-service/schedule-repair](https://www.lg.com/ca_en/support/repair-service/schedule-repair) and clicking on "Find My Model & Serial Number").

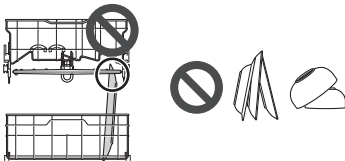
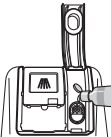
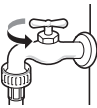

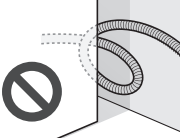
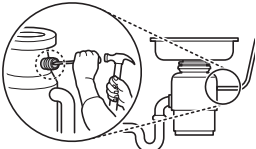
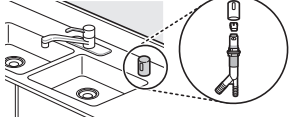

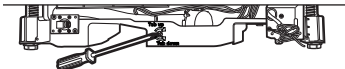
In the event that you "Opt Out", the law of the province or territory of your residence shall govern this Limited Warranty and any disputes between you and LG except to the extent that such law is preempted by or inconsistent with applicable federal or provincial/territorial law. Should arbitration not be permitted for any claim, action, dispute or controversy between you and LG, you and LG agree to attorn to the exclusive jurisdiction of the courts of the province or territory of your residence for the resolution of the claim, action, dispute or controversy between you and LG.

You may only opt out of the dispute resolution procedure in the manner described above (that is, by e-mail or telephone); no other form of notice will be effective to opt out of this dispute resolution procedure. Opting out of this dispute resolution procedure will not affect the coverage of the Limited Warranty in any way, and you will continue to enjoy the full benefits of the Limited Warranty. If you keep this product and do not opt out, then you accept all terms and conditions of the arbitration provision described above.

**Conflict of Terms.** In the event of a conflict or inconsistency between the terms of this Limited Warranty and the End User License Agreement ("EULA") in regards to dispute resolution, the terms of this Limited Warranty shall control and govern the rights and obligations of the parties and shall take precedence over the EULA.

## Warranty Exceptions

<p>Poor wash results caused by debris remaining in the filter.</p>		<p>Clean the filter regularly.</p>
--	---	------------------------------------

<p>Poor wash results caused by improper loading or over stacking: wash arm won't rotate or soap dispenser is held closed.</p>		<p>Make certain that no dishes or utensils are in the path of the spray arms. Do not place one dish on top of another.</p>
<p>Poor drying results caused by lack of rinse aid.</p>		<p>Use rinse aid or combination detergent.</p>
<p>Water is not supplied because the water tap is not turned on. IE error</p>		<p>Check and turn on the water tap.</p>
<p>Water is not supplied because the inlet hose is kinked. IE error</p>		<p>Reinstall the inlet hose.</p>
<p>Not draining because drain hose is kinked. OE error</p>		<p>Reinstall the drain hose.</p>
<p>The knockout plug in the garbage disposal is not removed. OE error</p>		<p>Remove the plug on the disposal.</p>
<p>The disposal or air gap is blocked by debris. OE error</p>		<p>Clean the disposal or the air gap.</p>
<p>Inlet valve and drain hose connection problem caused by improper installation. External leakage</p>		<p>Reinstall the hose.</p>
<p>Door movement or closing compromised by incorrect leveling.</p>		<p>Adjust the lower front leveling feet to the required height.</p>
<p>No power due to loose connection of power supply line or electrical outlet problem.</p>		<p>Reconnect the power supply line or repair the electrical outlet.</p>
<p>Pick-up, electrical wiring, plumbing. Installation</p>		<p>You will be charged for the installation.</p>





# MANUAL DEL PROPIETARIO

# **LAVAVAJILLAS**

---

Lea el manual del propietario detenidamente previo a operar el electrodoméstico y manténgalo al alcance para futuras referencias.

**ESPAÑOL**

LDTH797\*\* LDPH797\*\*

---

# ÍNDICE

## 3 INSTRUCCIONES IMPORTANTES DE SEGURIDAD

---

- 3 LEA TODAS LAS INSTRUCCIONES ANTES DE UTILIZAR
- 3 MENSAJES DE ADVERTENCIA
- 7 MENSAJES DE PRECAUCIÓN

## 8 DESCRIPCIÓN GENERAL DEL PRODUCTO

---

- 8 Características del producto

## 11 INSTALACIÓN

---

- 11 Antes de la instalación
- 13 Preparación de la abertura para el gabinete
- 13 Preparación de las conexiones eléctricas y de agua
- 15 Preparación del lavavajillas
- 16 Deslizamiento del lavavajillas en la abertura del gabinete
- 17 Conexión de la línea de suministro de agua y energía eléctrica
- 19 Conexión de la manguera de desagüe
- 21 Nivelado del lavavajillas
- 22 Sujeción del lavavajillas en la abertura del gabinete
- 23 Verificación final de la instalación

## 25 FUNCIONAMIENTO

---

- 25 Antes de usar
- 27 Panel de control
- 28 Ciclos de lavado
- 29 Opciones y funciones adicionales
- 32 Carga del lavavajillas
- 33 Carga en el cesto para cubiertos
- 34 Carga en la bandeja inferior
- 35 Carga en la bandeja superior
- 39 Carga del estante de cubiertos
- 40 Agregado de productos de limpieza

## 43 FUNCIONES INTELIGENTES

---

- 43 Aplicación LG ThinQ
- 46 Función Smart Diagnosis™ (Diagnóstico Inteligente)

## 47 MANTENIMIENTO

---

- 47 Limpieza y cuidado

## 51 SOLUCIÓN DE PROBLEMAS

---

- 51 Antes de llamar al servicio técnico

## 58 GARANTÍA LIMITADA

---

- 58 EE. UU.

# INSTRUCCIONES IMPORTANTES DE SEGURIDAD

## LEA TODAS LAS INSTRUCCIONES ANTES DE UTILIZAR

### Mensajes de seguridad

Su seguridad y la de los demás son muy importantes.

Tanto en este manual como en el equipo, hemos proporcionado muchos mensajes de seguridad importantes. Siempre debe leer y respetar todos los mensajes de seguridad.



Este es el símbolo de alerta de seguridad.

Este símbolo le advierte sobre posibles riesgos que pueden ocasionar lesiones o la muerte a usted o a otros. El símbolo de alerta de seguridad siempre estará acompañado de las palabras "ADVERTENCIA" o "PRECAUCIÓN" y seguido de un mensaje de seguridad importante.

Estos términos significan lo siguiente:



### ADVERTENCIA

El incumplimiento de las instrucciones podría causarle la muerte o lesiones graves.



### PRECAUCIÓN

El incumplimiento de las instrucciones podría causarle lesiones o daños al producto.

Todos los mensajes de seguridad le indicarán cuáles son los peligros potenciales, cómo reducir la posibilidad de lesiones y qué podría suceder si no sigue las instrucciones.

## MENSAJES DE ADVERTENCIA

### ADVERTENCIA

- Para disminuir el riesgo de explosiones, incendios, descargas eléctricas, quemaduras, lesiones o muerte para las personas que usen este artefacto, siga las precauciones básicas, incluidas las siguientes:

### Instalación

- Debe conectarse a un circuito de alimentación de clasificación y tamaño adecuados y debidamente protegido para evitar la sobrecarga eléctrica.
- Para reducir el riesgo de lesiones graves o muerte, siga todas las instrucciones de instalación.
- El artefacto debe ser instalado y conectado a tierra por personal de servicio calificado, de acuerdo con los códigos locales.
- Desconecte la línea de alimentación, el fusible del hogar o el interruptor de corriente antes de instalar o reparar el artefacto.
- Cuando traslade o instale el producto en un lugar diferente, llame a personal de servicio calificado para la instalación y el mantenimiento.
- Mantenga los materiales de empaque fuera del alcance de los niños. Los materiales de empaque pueden ser peligrosos para los niños. Corren riesgo de asfixia.
- El traslado o la instalación del artefacto requieren de dos o más personas.
- Este artefacto no ha sido diseñado para ser usado en embarcaciones o instalaciones móviles, tales como casas rodantes, remolques o aeronaves.
- Almacene e instale el artefacto donde no esté expuesto a temperaturas bajo cero ni a la intemperie.
- Debe posicionar este artefacto cerca de una fuente de suministro eléctrico.
- En ninguna circunstancia debe cortar o quitar la tercera clavija (tierra) de la línea de alimentación.

## 4 INSTRUCCIONES IMPORTANTES DE SEGURIDAD

---

- Cuando traslade o instale el aparato, tenga especial cuidado en no apretar, aplastar o dañar la línea de alimentación.
- No instale el artefacto en lugares húmedos.
- Destruya el cartón, la bolsa de plástico y los demás materiales de empaque luego de desempacar el artefacto. Estos materiales podrían utilizarlos los niños para jugar. Las cajas de cartón cubiertas con tapetes, colchas o láminas plásticas pueden convertirse en cámaras herméticas.
- Nunca intente operar este artefacto si se encuentra dañado, si no funciona correctamente, si no está ensamblado por completo o si tiene piezas faltantes o rotas, incluido una línea de alimentación dañada.
- Cumpla con todos los procedimientos de seguridad del sector recomendados, incluido el uso de guantes de manga larga y gafas de seguridad.
- El instalador debe asegurarse de que el lavavajillas esté completamente cerrado al momento de la instalación.
- Use mangueras nuevas cuando conecte el aparato al suministro de agua. No reutilice mangueras viejas.
- Después de instalar el lavavajillas, verifique que no haya fugas en la conexión de la manguera.
- No dañe la línea de alimentación del artefacto ni coloque objetos pesados sobre él.

## FUNCIONAMIENTO

- Repare o reemplace de inmediato todas las líneas de alimentación deshilachados o dañados de otra forma. No use un cable que exhiba roturas o abrasión en su longitud o en sus extremos.
- Si detecta un sonido extraño, olor a quemado o a químico, o humo provenientes del artefacto, desconéctelo de inmediato y contáctese con un Centro de Información al Cliente de LG Electronics.
- Nunca desconecte el artefacto tirando de la línea de alimentación.
- No use un cable de extensión ni un adaptador con este artefacto.
- No sujete la línea de alimentación ni toque los controles del artefacto con las manos húmedas.
- No modifique ni extienda el cable de alimentación.
- Si el producto se ha mojado accidentalmente, comuníquese con el Centro de Información al Cliente de LG Electronics para que le den instrucciones antes de reanudar el uso.
- No almacene ni use gasolina u otros líquidos o vapores inflamables cerca de este artefacto ni de ningún otro.
- Mantenga el área debajo de los artefactos y sus alrededores libre de materiales combustibles (pelusa, papel, trapos, etc.), gasolina, productos químicos y otros vapores o líquidos inflamables.
- Este artefacto no ha sido diseñado para ser utilizado por personas con capacidades físicas, sensoriales o mentales disminuidas (incluidos niños) o que no cuenten con la experiencia o los conocimientos necesarios para operarlo, salvo que una persona responsable de su seguridad les brinde la supervisión o la instrucción pertinente en cuanto al uso del artefacto.
- Si se daña la línea de alimentación eléctrica, solo el fabricante está autorizado para reemplazarlo, o bien su agente de servicio técnico o una persona de calificación similar para prevenir riesgos.
- No maltrate la puerta, no se sienta ni se pare sobre ella.
- Lea todas las instrucciones antes de usar el artefacto y consérvelas.
- Use el artefacto únicamente para el fin previsto.
- No permita que los niños jueguen con el artefacto. Es necesario supervisar atentamente a los niños cuando el artefacto esté en funcionamiento cerca de ellos.
- No utilice indebidamente los controles.
- En el caso de que se produzca una fuga de gas (gas propano, gas licuado de petróleo, etc.), no ponga en funcionamiento este artefacto ni ningún otro. Abra una puerta o una ventana para ventilar el área de inmediato.
- Bajo ciertas condiciones, podría producirse gas hidrógeno en un sistema de agua caliente que no ha sido utilizado por dos semanas o más. EL GAS HIDRÓGENO ES EXPLOSIVO. Si el sistema de agua caliente no se ha usado durante ese período de tiempo, abra todas las llaves de agua caliente y deje que fluya varios

minutos antes de usar el artefacto. Esto eliminará el gas hidrógeno acumulado. Dado que el gas hidrógeno es inflamable, no fume ni use ninguna llama abierta durante este proceso.

- Fije la manguera de desagüe en su sitio de manera segura.
- Solo use detergentes y agentes de enjuague recomendados para lavavajillas. Mantenga dichos productos fuera del alcance de los niños.
- No permita que los niños ingieran detergente o agentes de enjuague para vajilla.
- Cuando cargue objetos para su lavado:
  - Cargue los objetos cortantes de tal forma que no dañen el sello de la puerta.
  - Cargue los cuchillos filosos con el mango hacia arriba para disminuir el riesgo de heridas cortantes u otras lesiones.
- No lave artículos de plástico a menos que contengan la indicación de que son "seguros para lavar con lavavajillas" o una indicación equivalente. Para los artículos de plástico que no contengan tal indicación, consulte las recomendaciones del fabricante.
- No toque el ELEMENTO CALENTADOR durante el uso o inmediatamente después.
- No ponga en funcionamiento el lavavajillas a menos que todos los paneles del CERRAMIENTO estén en el lugar adecuado.
- No maltrate la puerta o las bandejas del lavavajillas, no se siente ni se pare sobre ellas.
- No instale ni almacene el lavavajillas en lugares expuestos a la intemperie.
- Después de limpiar la vajilla, cierre el suministro de agua. Antes de limpiar, vuelva a abrir el suministro de agua y revise el estado de las conexiones.
- No abra la puerta del artefacto durante la operación. Por motivos de seguridad, la bomba de purga opera si la puerta está abierta, lo que genera un tiempo de ciclo más largo.
- Tenga cuidado de no apretarse la mano al cerrar la puerta.
- No enchufe el lavavajillas en un tomacorriente dañado.
- No instale ni coloque el lavavajillas cerca de componentes eléctricos o llamas expuestas.
- No lave vajilla que haya estado expuesta a gasolina, solventes u otros materiales inflamables.
- Al limpiar, no rocíe agua directamente sobre el producto.
- No presione los botones con objetos punzantes o filosos como un alfiler o un punzón.
- No utilice detergente con base solvente.
- No haga contacto con la salida de vapor.
- Si se extraen del lavavajillas, las piezas pequeñas como los ganchos de las bandejas y los postes de retención del filtro pueden presentar riesgo de asfixia para niños pequeños. Mantenga dichas piezas fuera del alcance de los niños.
- No toque el soplador de aire caliente durante el manejo ya que está caliente.

## Mantenimiento

- No repare ni reemplace ninguna pieza del artefacto. Todas las reparaciones y el servicio de mantenimiento deben ser realizados por un miembro del personal de servicio calificado, a menos que se recomiende lo contrario en este Manual del propietario. Use solamente piezas de fábrica autorizadas.
- No desarme ni repare el artefacto por su cuenta.
- Quite el polvo o los materiales extraños de las clavijas de la línea de alimentación.
- Desconecte el artefacto del suministro eléctrico antes de limpiarlo o de realizar cualquier tipo de mantenimiento que pueda realizar el usuario. Colocar los controles en la posición de apagado no desconecta el artefacto del suministro eléctrico.
- Quite la puerta antes de sacar de servicio o desechar el artefacto para evitar el riesgo de que niños o animales pequeños queden atrapados adentro.
- Desconecte el artefacto antes de limpiar para evitar el riesgo de descargas eléctricas.

## 6 INSTRUCCIONES IMPORTANTES DE SEGURIDAD

---

- Antes de desechar el producto, corte la línea de alimentación y destruya el panel de control del producto.

### **Instrucciones de conexión a tierra**

- Para conectar el lavavajillas de modo permanente: Este artefacto debe estar conectado a un sistema permanente de cableado de metal con descarga a tierra, o bien debe instalarse un conductor de puesta a tierra del equipo con los conductores de circuito y conectarse a un terminal de puesta a tierra del equipo o a un extremo del dispositivo.
- Conecte el cable a tierra al conector a tierra de color verde en la caja de conexiones eléctricas.

### **Riesgo de vuelco**

- No use el lavavajillas hasta que esté instalado por completo.
- No empuje hacia abajo la puerta del lavavajillas cuando esté abierta.
- El incumplimiento de estas instrucciones podría causar heridas o cortes graves.

## MENSAJES DE PRECAUCIÓN

### PRECAUCIÓN

- Para reducir el riesgo de lesiones leves o moderadas a personas, el mal funcionamiento o daño al producto o propiedad cuando use este producto, siga las precauciones básicas, incluidas las siguientes:

### Instalación

- Instale el producto sobre un piso firme y nivelado.
- El lavavajillas debe estar conectado a un suministro de agua caliente con un rango de temperatura entre 120 °F (49 °C) y 149 °F (65 °C). Este rango de temperatura brinda los mejores resultados de lavado y el ciclo más corto. La temperatura no debe superar los 149 °F (65 °C) para evitar dañar la vajilla.
- No coloque la manguera de desagüe debajo del lavavajillas durante la instalación.

### FUNCIONAMIENTO

- No coloque ningún objeto encima del artefacto.
- Cierre las llaves de agua y desconecte el artefacto si este no será usado por un periodo de tiempo prolongado, por ejemplo, durante las vacaciones.
- No almacene ni vierta limpiadores, blanqueadores (blanqueador con cloro, blanqueador oxigenado, etc.) ni detergentes líquidos encima del artefacto. Si lo hace, podría ocasionar corrosión, decoloración o daño de la superficie del artefacto.
- No toque el agua de desagüe, ya que podría estar caliente.
- Si la manguera de desagüe y la manguera de suministro de agua se congelan en invierno, descongélelas antes de usar el artefacto.
- No coloque las manos, pies u objetos metálicos debajo ni detrás del artefacto.

### Mantenimiento

- En caso de derramar aceite de cocina en el exterior del producto, límpielo de inmediato. No limpie el exterior del producto con productos de limpieza que contengan alcohol, diluyentes, blanqueadores, benceno, líquidos inflamables o abrasivos. Estas sustancias pueden decolorar o dañar el electrodoméstico.

**GUARDE ESTAS INSTRUCCIONES**

# DESCRIPCIÓN GENERAL DEL PRODUCTO

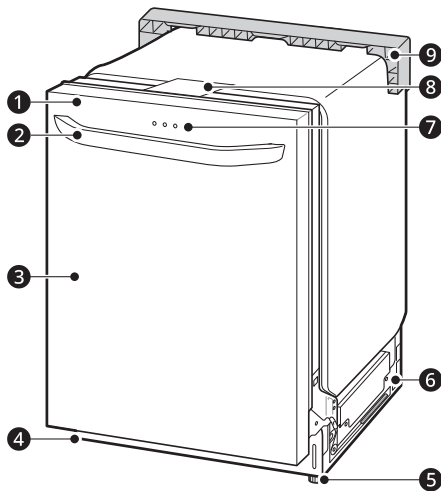
## Características del producto

Las ilustraciones en esta guía pueden diferir de los componentes y accesorios reales, los cuales están sujetos a cambios sin previo aviso por parte del fabricante a fin de introducir mejoras en el producto.

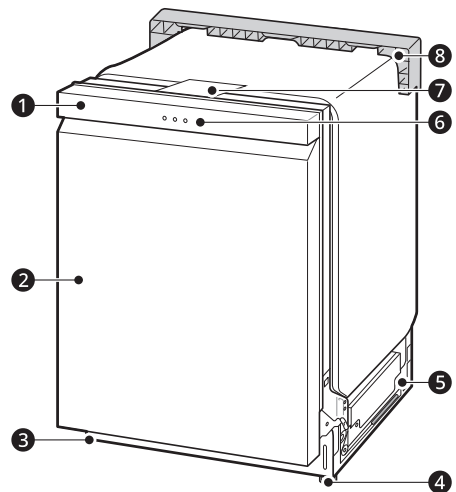
### NOTA

- Para su seguridad y para prolongar la vida útil del producto, use solo componentes autorizados. El fabricante no se hace responsable del mal funcionamiento del producto o de accidentes provocados por el uso de componentes o piezas no autorizados adquiridos por separado.
- No retire la cubierta de seguridad en ningún momento.
- Para garantizar la fiabilidad, cada lavavajillas se somete a un extenso control de calidad antes de salir de fábrica.
- Puede encontrar gotas de agua o manchas de agua como resultado de este proceso en su nuevo lavavajillas.

### Vista frontal



- ① Panel de control
- ② Manija de la puerta
- ③ Cubierta frontal
- ④ Cubierta inferior
- ⑤ Patas de nivelación
- ⑥ Base
- ⑦ Signalight™
- ⑧ Cubierta de seguridad
- ⑨ Soporte de embalaje



- ① Panel de control y manija de la puerta
- ② Cubierta frontal
- ③ Cubierta inferior
- ④ Patas de nivelación
- ⑤ Base
- ⑥ Signalight™
- ⑦ Cubierta de seguridad
- ⑧ Soporte de embalaje

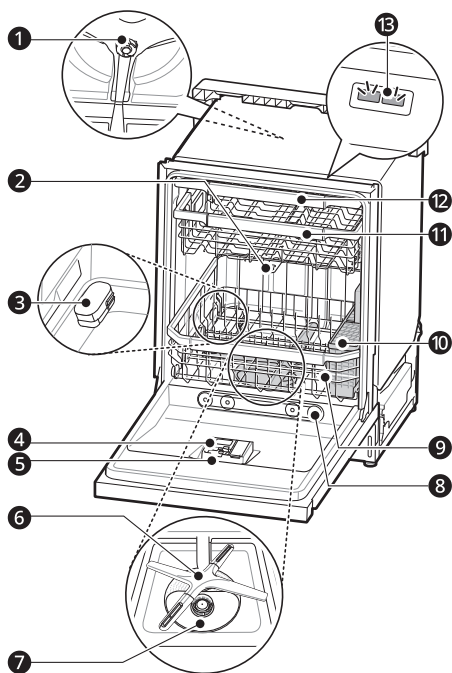
### Signalight™ (pantalla frontal)

Los modelos con control superior cuentan con tres indicadores LED centrados en la parte superior de la cubierta frontal.

- Roja: Error (consulte los Códigos de error en la sección Resolución de problemas).
- Blanca (fija): Funcionamiento normal.
- Blanca (parpadea) El ciclo se ha pausado. (Después de cuatro minutos en modo pausa, la máquina se apaga).
- Verde: El ciclo finalizó normalmente.

La configuración predeterminada en **ON** mantiene la luz verde encendida hasta que se abre la puerta. Si la configuración se cambia a **OFF**, la luz verde se apaga después de 90 segundos. Para cambiar la configuración, consulte el tema **Uso de la opción modo configuración**.

## Vista interior



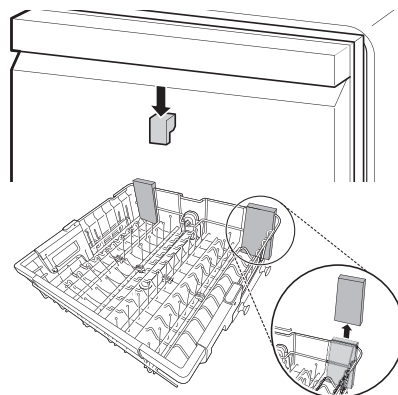
- ① Rotor superior de lavado
- ② Brazo rociador superior
- ③ Soplador de aire caliente
- ④ Dispensador de detergente y abrillantador
- ⑤ Cubierta de ventilación de secado
- ⑥ Brazo rociador inferior
- ⑦ Sistema de filtrado
- ⑧ Boquilla de vapor
- ⑨ Bandeja inferior (aparencia puede variar)
- ⑩ Cesto para cubiertos

- ⑪ Bandeja superior
- ⑫ Bandeja para cubiertos<sup>†</sup>
- ⑬ Luz del cuba<sup>†</sup>

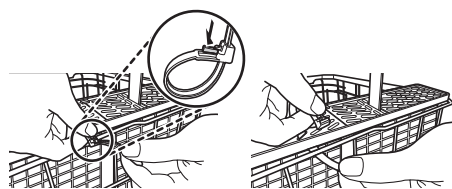
<sup>†</sup> Esta característica solamente está disponible en algunos modelos.

## NOTA

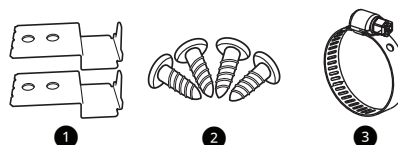
- El cesto para cubiertos se envía instalado en la parte posterior de la bandeja del fondo. Para obtener un mejor desempeño, instálelo a lo largo del lado derecho.
- Retire todos los materiales de empaque del exterior y el interior del lavavajillas antes de instalar el artefacto.



- Presione la lengüeta para quitar la atadura del cable con la mano. Cortar la atadura con un cuchillo o tijeras puede dañar el estante o la canasta de cubiertos.



## Accesorios



- ① Soportes de instalación (2 c/u)
- ② Tornillos de madera (4 c/u)
- ③ Abrazadera para manguera

### Especificaciones del producto

La apariencia y las especificaciones detalladas en este manual podrían variar debido a mejoras constantes en el producto.

<b>Modelo</b>	<b>LDTH797** LDPH797**</b>
<b>Requisitos eléctricos</b>	120 V~ CA, 60 Hz solo, interruptor de corriente de 15 A
<b>Presión de agua</b>	20 psi - 80 psi (140 kPa - 550 kPa)
<b>Dimensiones (Ancho X Profundidad X Altura)</b>	23 3/4" X 24 5/8" X 33 5/8" (603 mm X 625 mm X 854 mm)
<b>Temperatura de entrada</b>	120 °F - 149 °F (49 °C - 65 °C)
<b>Peso neto</b>	90 lbs. - 99 lbs. (41 kg - 45 kg)

# INSTALACIÓN

## Antes de la instalación

### Guía de instalación en línea

Este código QR es solo para referencia; para obtener instrucciones de instalación completas, consulte el manual del propietario suministrado con cada lavavajillas.

#### Inglés



<https://www.lg.com/us/support/video-tutorials/lg-dishwasher-installation-CT1000009-1366643457088>

#### Francés



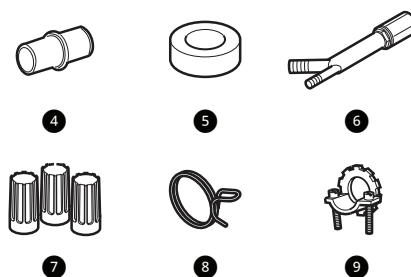
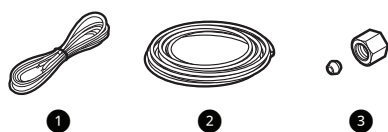
[https://www.lg.com/ca\\_fr/soutien/aide-produit/CT20100059-20152463332979](https://www.lg.com/ca_fr/soutien/aide-produit/CT20100059-20152463332979)

### ⚠ ADVERTENCIA

- AVISO LEGAL - Esta Guía es estrictamente confidencial y no debe copiarse, divulgarse, distribuirse, difundirse, publicarse ni reproducirse, en su totalidad o parcialmente, sin contar con el consentimiento previo y por escrito de LG Electronics.

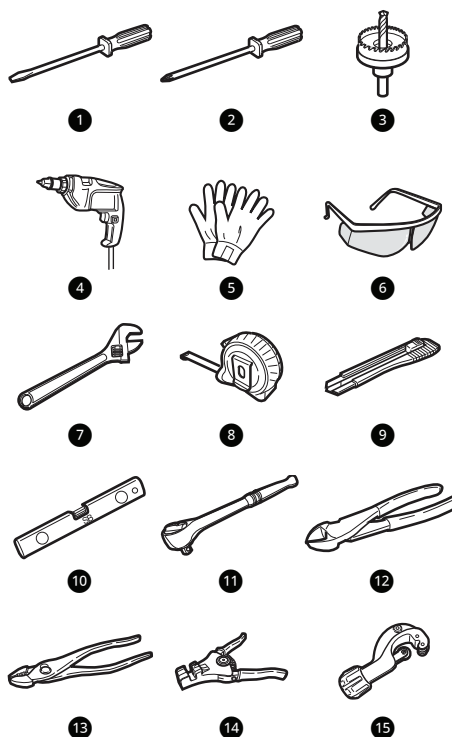
La Guía puede contener imprecisiones o errores tipográficos, y LGE puede modificarla o actualizarla en cualquier momento y sin aviso previo.

### Piezas no incluidas

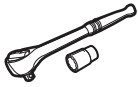


- 1 Cable eléctrico
- 2 Tubería de suministro de agua
- 3 Accesorios para tubería
- 4 Acoplador
- 5 Cinta aislante
- 6 Trampa de aire
- 7 Tuercas para cableado calibre 16
- 8 Abrazadera para manguera
- 9 Aliviador de tensión aprobado por UL

### Herramientas necesarias



## 12 INSTALACIÓN



16

- 1 Destornillador de hoja plana
- 2 Destornillador Phillips
- 3 Broca con sierra de perforación de 2 1/2" mín.
- 4 Taladro eléctrico
- 5 Guantes
- 6 Gafas de seguridad
- 7 Llave ajustable
- 8 Cinta medidora
- 9 Cuchilla
- 10 Nivel
- 11 Llave con accionamiento cuadrado de 1/4"
- 12 Tenazas
- 13 Pinzas
- 14 Pelacables
- 15 Cortador de tubería
- 16 Llave con accionamiento cuadrado de 3/8" y casquillo de 1/2"

### Descripción general de la instalación

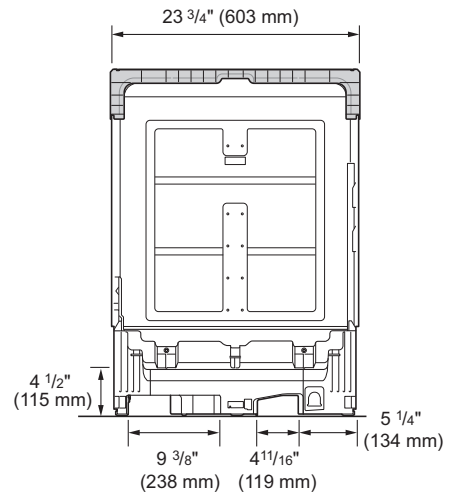
Lea las siguientes instrucciones de instalación inmediatamente después de adquirir el lavavajillas o transportarlo a otra ubicación.

- 1 Preparación de la abertura para el gabinete
- 2 Preparación de las conexiones eléctricas y de agua
- 3 Preparación del lavavajillas
- 4 Deslizamiento del lavavajillas en la abertura del gabinete
- 5 Conexión de la línea de suministro de agua y energía eléctrica
- 6 Conexión de la manguera de desagüe
- 7 Nivelado del lavavajillas

- 8 Sujeción del lavavajillas en la abertura del gabinete
- 9 Verificación final de la instalación

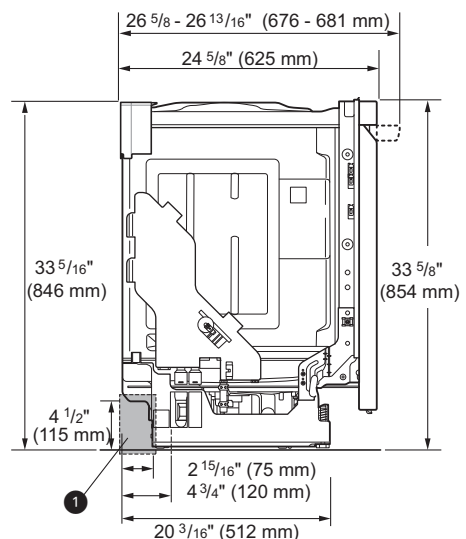
### Dimensiones del producto

#### Vista posterior



#### Vista lateral

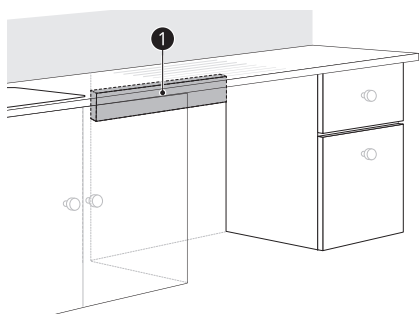
Para una instalación más sencilla, observe las áreas marcadas con 1 para los espacios libres correspondientes a la línea eléctrica y la línea de suministro de agua en la base del lavavajillas. La manguera de suministro de agua, la manguera de desagüe y el cable eléctrico deben pasar a través de esta área.



## Preparación de la abertura para el gabinete

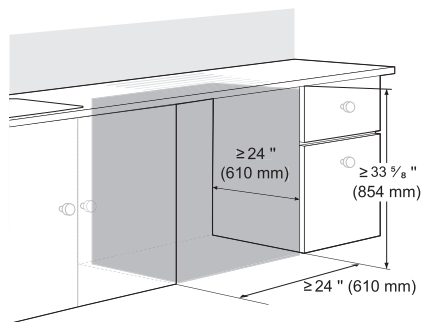
Este lavavajillas está diseñado para ajustarse a una abertura estándar para lavavajillas. Es posible que sea necesario hacer una abertura en ambos lados para pasar las conexiones de fontanería y eléctricas.

- Para asegurar un desagüe adecuado, el lavavajillas no se debe instalar a más de 12 pies (3.65 m) de distancia del fregadero.
- La ubicación debe tener espacio suficiente para que la puerta del lavavajillas se abra fácilmente y debe dejarse una distancia de, al menos, 0.1" (2 mm) entre el lavavajillas y los lados del gabinete.
- Si instala el lavavajillas en un rincón, deje un mínimo de 2" (50 mm) entre el lavavajillas y el muro adyacente.
- El muro adyacente debe estar libre de obstáculos.
- Solamente para instalaciones al ras: puede retirar el soporte del gabinete ❶ del interior del gabinete.



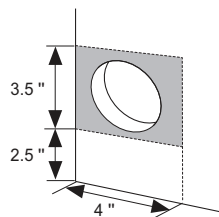
## Elección de la ubicación adecuada

- 1 Seleccione una ubicación tan cercana al fregadero como sea posible para facilitar la conexión de la línea de suministro de agua, la manguera de desagüe y la conexión eléctrica.



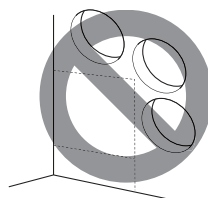
- 2 Para dejar el espacio adecuado para tareas de fontanería y electricidad, use la plantilla incluida con el material impreso para

determinar el espacio libre del lado del gabinete donde el lavavajillas hace contacto con el muro posterior. Con una sierra de perforación de 2 1/2" de diámetro, haga un agujero en el área objetivo según se muestra en la plantilla.



### ⚠ ADVERTENCIA

- El daño durante la instalación no está cubierto por la garantía, y las fugas causadas por la instalación inadecuada podrían dañar la propiedad.
- No use los orificios existentes, a menos que se encuentren en el área objetivo.
- Si no se realiza la perforación para las líneas de agua y desagüe en las ubicaciones adecuadas, esto podría impedir que el lavavajillas quede al ras de los gabinetes y podría plegar, aplastar, tensionar o dañar las líneas.



## Preparación de las conexiones eléctricas y de agua

### ⚠ ADVERTENCIA

- Conexión de agua
  - No reutilice una manguera vieja. Emplee solo una manguera nueva cuando instale el lavavajillas. La manguera vieja podría presentar fugas o explotar, causando inundaciones y daños a la propiedad. Póngase en contacto con un Centro de información al cliente de LG para obtener ayuda en la compra de una nueva manguera.
- Conexión eléctrica
  - Utilice un interruptor de corriente o fusible de acción retardada.

**⚠ ADVERTENCIA**

- Este artefacto debe operarse con el voltaje correcto, que se indica en este manual y en la placa de datos técnicos.
- El cableado debe tener una conexión a tierra adecuada. Si tiene dudas, solicite que lo verifique un electricista calificado.
- Conecte el artefacto con una conexión de 3 cables, incluido un cable de conexión a tierra.
- El artefacto y el tomacorriente deben colocarse de manera que el enchufe sea de fácil acceso.
- No use un cable de extensión ni un adaptador con este lavavajillas.
- No sobrecargue el tomacorriente con más de un artefacto.
- Deben utilizarse las tuercas para cable 16AWG que se incluyen.
- Es obligación y responsabilidad personal del propietario del producto que un electricista calificado instale un tomacorriente adecuado.

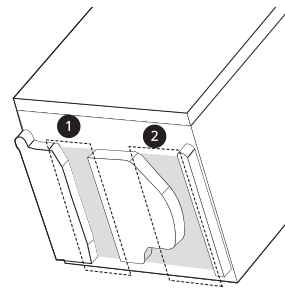
**⚠ PRECAUCIÓN**

- Cuando conecte la línea de suministro de agua del lavavajillas al suministro de agua de la vivienda, se debe usar cinta o compuesto de sellado en las roscas de la tubería para evitar fugas. No se debe emplear cinta ni compuesto en los accesorios de compresión.
- Conecte el lavavajillas a un suministro de agua caliente con un rango de temperatura entre 120 °F (49 °C) y 149 °F (65 °C). Este rango de temperatura brinda los mejores resultados de lavado y el ciclo más corto. Para evitar daños en la vajilla, la temperatura no debe superar los 149 °F (65 °C).
- La presión del suministro de agua debe ser de entre 20 psi y 80 psi (de 140 a 550 kPa). Si la presión del suministro de agua es mayor a 80 psi, debe instalarse una válvula reductora de presión, de manera que se evite el fallo prematuro de la válvula de entrada.

**Cómo pasar la línea de suministro de agua y el cableado eléctrico**

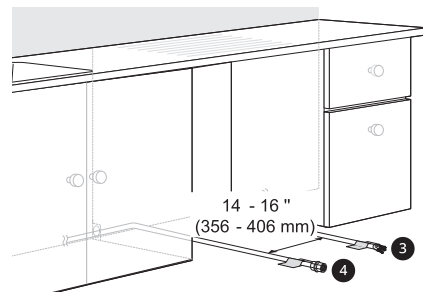
Hay 2 canales en la base del lavavajillas para pasar la conexión de agua y la conexión eléctrica.

- Como se muestra en la vista inferior debajo, el canal ① es para la línea de suministro de agua, y el canal ② es para el cable eléctrico.



- 1** Corte el suministro de agua de la vivienda y apague el interruptor de corriente o la fuente de energía dedicada antes de conectar el lavavajillas.
- 2** Pase la línea de suministro de agua a lo largo del piso a 6 1/2" - 7 3/4" (165 mm - 197 mm) del lado izquierdo de la abertura y fíjela con cinta adhesiva delante de la abertura.
- 3** Pase el cable eléctrico ③ a lo largo del piso a 14" - 16" (356 mm - 406 mm) de la línea de suministro de agua ④ y fíjelo en su sitio con cinta adhesiva.

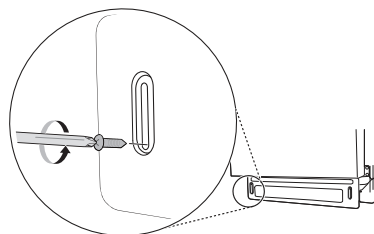
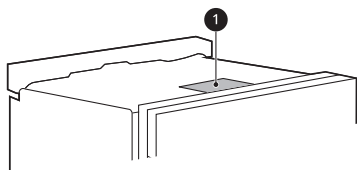
- El tomacorriente debe estar a 4 pies (1.22 m) de cualquiera de los lados del lavavajillas.
- La mejor ubicación para el conducto eléctrico es sobre el lado derecho de la pared posterior. Redirija el cable eléctrico antes de realizar la instalación en caso de que la longitud de la tubería del conducto eléctrico sea mayor a 3" (76 mm) y esté centrada en la pared posterior.



## Preparación del lavavajillas

### ⚠ ADVERTENCIA

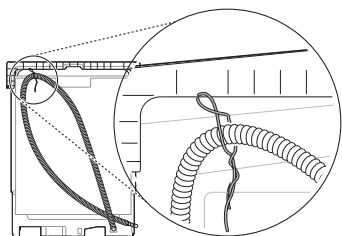
- No retire la cubierta de seguridad ❶. Si lo hace, puede ocasionar incendios, descargas eléctricas o la muerte.



- 2 Retire la cubierta inferior.
- 3 Si hubiera material aislante detrás de la cubierta inferior, retírelo.
- 4 Reserve las piezas hasta que se complete la instalación.

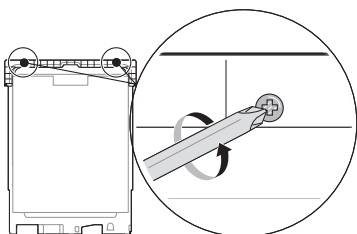
### Para soltar la manguera de desagüe

Retire la atadura que sujeta la manguera de desagüe a la parte posterior de la abrazadera de envío.



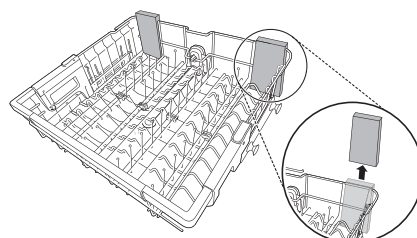
### Abrazadera de envío removible

La abrazadera de envío trasera puede ser removida, si es necesario más espacio libre, al instalar el lavaplatos debajo de un mostrador bajo.



### Retiro de los materiales de empaque del interior

Retire todos los materiales de empaque del interior del lavavajillas antes de instalarlo.



### Extracción de la cubierta inferior

### ⚠ PRECAUCIÓN

- Si recuesta el lavaplatos por la parte trasera, hágalo con precaución de no dañar la manguera de drenaje y la cuba.

- 1 Retire los tornillos ubicados a ambos lados que sujetan la cubierta inferior al lavavajillas.

### Colocación de los soportes de instalación

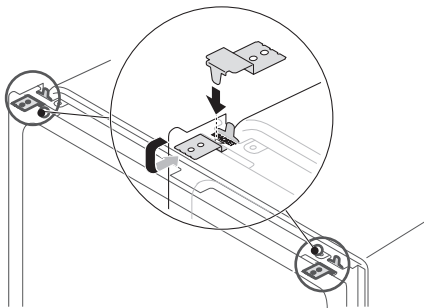
Para mostradores de madera u otros materiales que no se dañen al taladrar, utilice los soportes de instalación metálicos suministrados.

Para mostradores de granito, mármol u otro material que podría dañarse al taladrar, utilice los tornillos para madera para sujetar el lavavajillas al gabinete. Consulte las instrucciones de instalación en la sección **Sujeción del lavavajillas en la abertura del gabinete**.

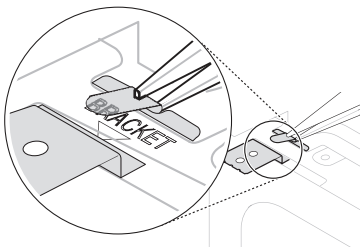
### NOTA

- Los soportes de instalación y los tornillos se pueden encontrar en el cesto para cubiertos.

- 1 Inserte el extremo con lengüeta de los soportes de instalación en las ranuras del bastidor superior. Gire los soportes hasta que los extremos con lengüeta queden hacia arriba.



- 2** Doble las lengüetas de los soportes con un par de pinzas de punta para fijarlos al bastidor.

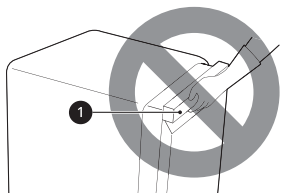


## Deslizamiento del lavavajillas en la abertura del gabinete

### Cómo deslizar el lavavajillas

#### ⚠ PRECAUCIÓN

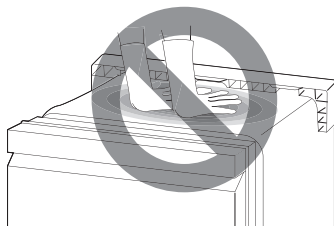
- No tire ni levante el lavavajillas usando la manija **1**; hacerlo podría dañar la puerta y las bisagras.



- No empuje la puerta del lavavajillas con las rodillas cuando lo deslice en su lugar. Hacerlo podría dañar la cubierta frontal.

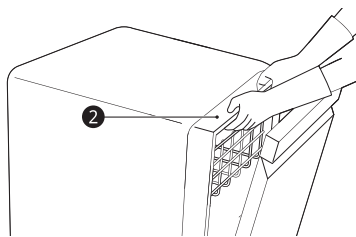


- No empuje la parte superior del lavavajillas. Hacerlo podría dañar el interior del artefacto.

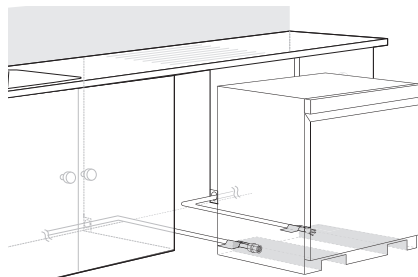


#### NOTA

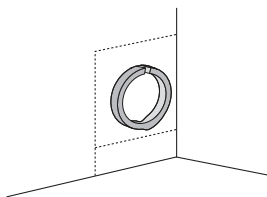
- Abra la puerta y sujete el bastidor del cuerpo del lavavajillas y la abertura superior frontal **2** de la cuba para mover o levantar el lavavajillas.



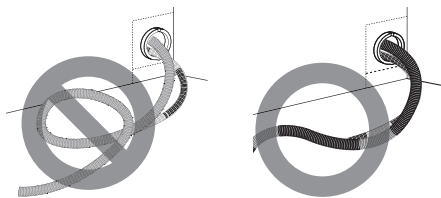
- 1** Alinee el lavavajillas con la abertura. Asegúrese de que la línea de suministro de agua y el cable eléctrico estén en la posición correcta para que puedan deslizarse sin problemas en sus canales.



- 2** Suavice o acolche los bordes del orificio taladrado para el paso de la línea de suministro de agua a fin de evitar dañar la manguera de desagüe.



- 3** Asegúrese de enderezar la manguera de desagüe antes de insertar su extremo a través del orificio para el suministro de agua. A medida que desliza el lavavajillas en la abertura, es conveniente que tire lentamente de la manguera de desagüe desde el interior del gabinete para enderezarla. Para evitar fugas o daños ocasionados por el agua, tenga cuidado de no plegar, aplastar o tensar demasiado la manguera de desagüe durante la instalación.



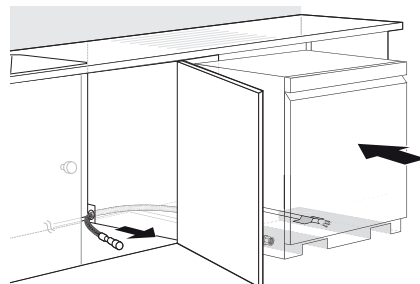
- 4** Gradualmente, deslice el lavavajillas en la abertura, asegurándose de que la línea de suministro de agua y el cable eléctrico pasan libremente por los canales y no quedan atrapados bajo el lavavajillas.

**⚠ PRECAUCIÓN**

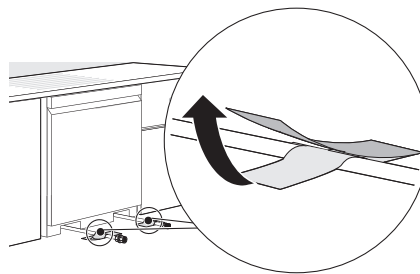
- Para evitar fallas o fugas, es importante que la manguera de desagüe no quede plegada, tirante ni aplastada detrás o debajo del lavavajillas o dentro del gabinete adyacente.
- La garantía no cubre los daños derivados de una instalación inadecuada.

- A medida que desliza el lavavajillas en la abertura, deténgase periódicamente (o solicítele a otra persona que lo ayude) para

tensar la manguera de desagüe, tirando de ella hacia el interior del gabinete.



- 5** Retire la cinta de la línea de suministro de agua y el cable eléctrico.



**Conexión de la línea de suministro de agua y energía eléctrica**

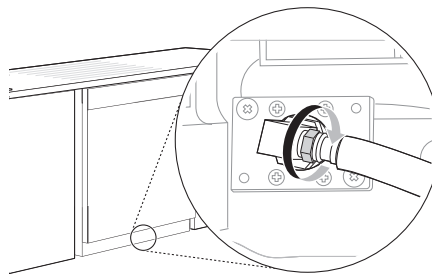
**Conexión de la línea de suministro de agua**

- 1** Con el suministro de agua de la vivienda cerrado, conecte la línea de suministro de agua a la válvula de entrada en la parte delantera izquierda del lavavajillas.

**⚠ PRECAUCIÓN**

- No se debe utilizar cinta ni compuesto en la válvula de entrada del lavavajillas.

- 2** Apriete la tuerca de compresión.



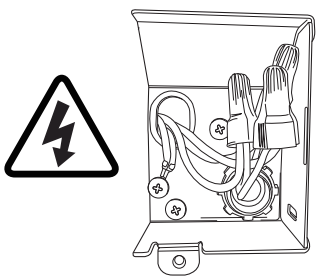
## 18 INSTALACIÓN

- Deslice la línea de suministro de agua en el canal tirando suavemente desde el interior del gabinete para asegurarse de que la línea no quede plegada, tirante o aplastada.

### Conexión de la alimentación eléctrica

El lavavajillas debe tener un circuito con la debida conexión a tierra para conectar la configuración de 3 cables que incluye el cable a tierra.

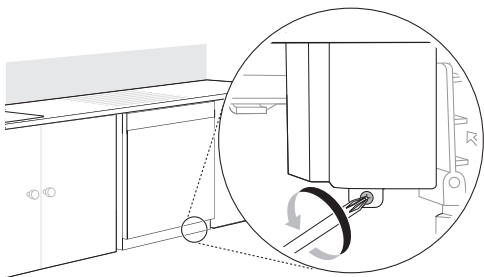
Si se usa una línea de alimentación de 3 clavijas, debe estar en un lugar accesible adyacente al lavavajillas, a no más de 4 pies (1220 mm) del lado del artefacto, nunca detrás del mismo.



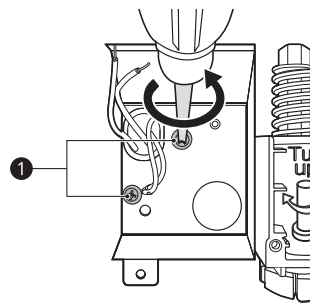
#### NOTA

- La mejor ubicación para el conducto eléctrico es sobre el lado derecho de la pared posterior. Redirija el cable eléctrico antes de realizar la instalación en caso de que la longitud de la tubería del conducto eléctrico sea mayor a 3" (76 mm) y esté centrada en la pared posterior.

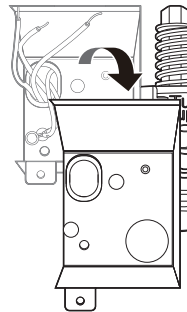
- Desde el interruptor de corriente, apague el suministro de energía eléctrica que va a la unidad.
- Use un destornillador Phillips para quitar el tornillo de la cubierta de la caja de empalmes y retire la cubierta.



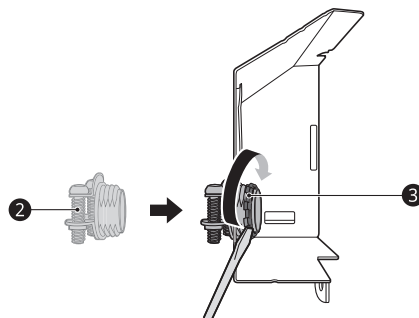
- Utilice un destornillador Phillips para retirar 2 tornillos ①.



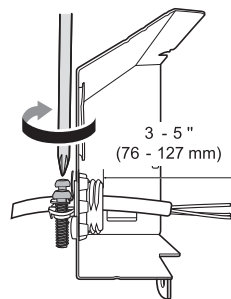
- Retire la caja de empalmes del artefacto.



- Inserte el alivador de tensión ② a través del orificio de la caja de empalmes. Apriete la tuerca redonda ③ para asegurarlo en su sitio.

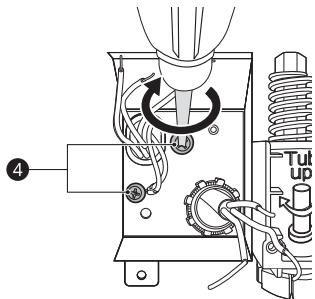


- Inserte el cable eléctrico a través del orificio del alivador de tensión. Ajuste los 2 tornillos para asegurarlo.

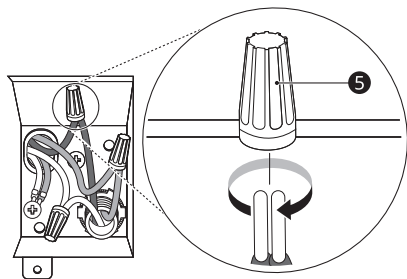


- Tire de los cables existentes a través de las aberturas de la caja de empalmes. Ajuste los 2

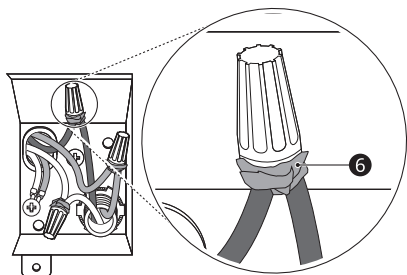
tornillos 4 para volver a ensamblar la caja de empalmes en el artefacto.



8 Haga coincidir los cables blanco, negro y verde con los cables de los colores correspondientes del lavavajillas. Luego, gire las tuercas para cables 5 suministradas y apriételas firmemente para conectar los cables correspondientes.



9 Envuelva cada conexión con cinta aislante 6.



10 Pliegue los cables conectados, introdúzcalos nuevamente dentro de la caja de empalmes y atornille la cubierta de la caja.

**ADVERTENCIA**

- Verifique que el cable negro esté caliente (120 V). De no ser así o si no está seguro de que haya suministro eléctrico, solicite que lo verifique un electricista calificado.

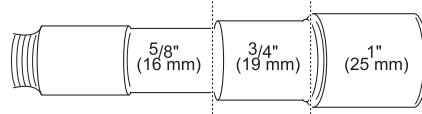
**PRECAUCIÓN**

- No deje expuesto ningún cable pelado. Recorte el cable pelado para que quepa completamente dentro de las tuercas para cable.

**Conexión de la manguera de desagüe**

Si el extremo de la manguera de desagüe no se adapta a la línea de desagüe, use un adaptador resistente al calor y al detergente (no está incluido). Este accesorio se puede comprar en una tienda local de artículos de fontanería.

- Corte el adaptador para que el extremo coincida con el tamaño de la conexión de desagüe.

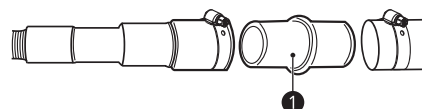


**NOTA**

- Para la instalación de la manguera de desagüe, use la abrazadera para manguera con tornillo incluida en el cesto para cubiertos de este lavavajillas.
- Si conecta la manguera de desagüe del lavavajillas al triturador de basura, asegúrese de seguir las instrucciones de instalación adecuadas según el manual del triturador.

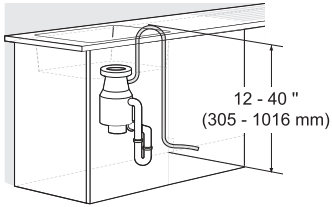
**Requisitos para la manguera de desagüe**

- Cumpla los códigos y las ordenanzas locales.
- La distancia al desagüe no debe superar los 12 pies (3.65 m).
- No conecte mangueras de desagüe de otros artefactos a la manguera de desagüe del lavavajillas.
- Si es necesario utilizar una extensión en la manguera de desagüe, use una manguera de diámetro interior de 5/8" o 7/8" y de 2 a 3 pies de longitud y un acople 1 para conectar los dos extremos.



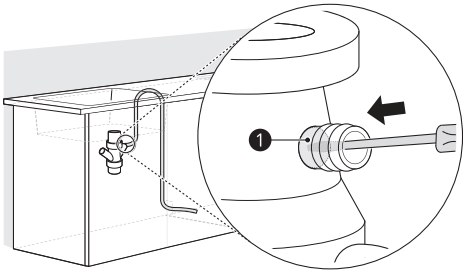
### Altura de la manguera de desagüe

La altura del extremo de la manguera de desagüe debe ser, como mínimo, de 12" (305 mm) y no debe superar las 40" (1016 mm) desde la base del lavavajillas para evitar que el agua haga sifón desde la cuba.



### Conexión al triturador sin trampa de aire

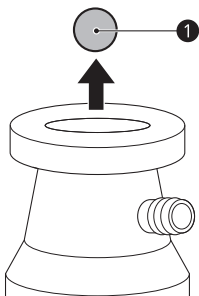
- 1 Extraiga el tapón ciego del triturador con un martillo y un destornillador.



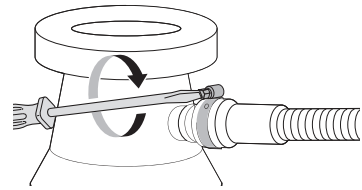
- 2 Retire el tapón ciego 1 del triturador.

#### ⚠ PRECAUCIÓN

- Si no se ha extraído el tapón ciego, el lavavajillas no podrá desagotar correctamente.



- 3 Sujete la manguera de desagüe al triturador con la abrazadera para manguera suministrada. Mueva la abrazadera a la posición correcta y apriétela con un destornillador de hoja plana.



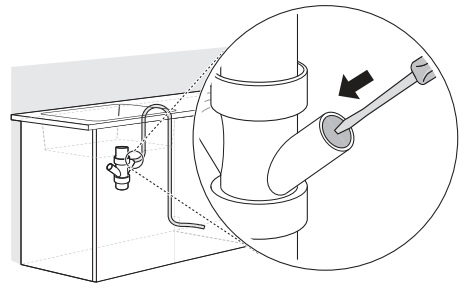
### Conexión a la pieza en T para desechos sin trampa de aire

La altura del extremo de la manguera de desagüe debe ser, como mínimo, de 12" (305 mm) y no debe superar las 40" (1016 mm) desde la base del lavavajillas para evitar que el agua haga sifón desde la cuba.

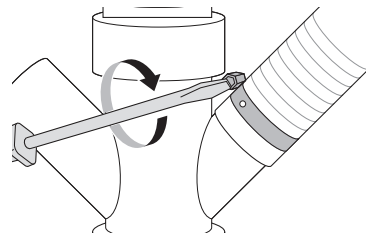
- 1 Extraiga el tapón ciego con un martillo y un destornillador.

#### ⚠ PRECAUCIÓN

- Si no se ha extraído el tapón ciego, el lavavajillas no podrá desagotar correctamente.



- 2 Sujete la manguera de desagüe a la pieza en T para desechos con la abrazadera para manguera suministrada. Mueva la abrazadera a la posición correcta y apriétela con un destornillador de hoja plana.

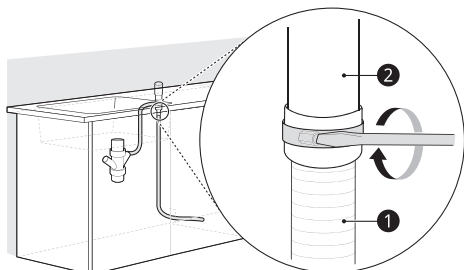


### Conexión al triturador o a la pieza en T para desechos con trampa de aire

- 1 Extraiga el tapón ciego con un martillo y un destornillador.

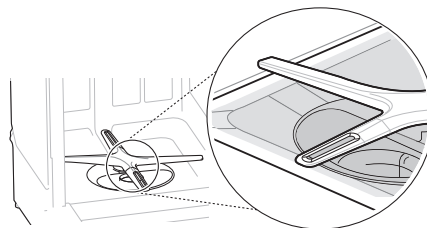
**2** Conecte el extremo de la manguera de desagüe ❶ a la trampa de aire ❷ con la abrazadera para manguera suministrada. Mueva la abrazadera a la posición correcta y apriétela con un destornillador de hoja plana.

- Esto impide que el agua haga sifón desde la cuba.



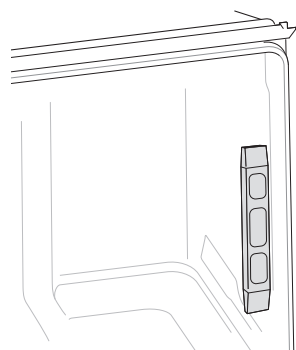
**3** Si no está conectado, acople el conector de la manguera de caucho a la pieza en T para desechos o al triturador con una abrazadera para manguera (no incluida).

las dos muescas inferiores que presenta la cuba en la parte delantera.



Tras extraer la bandeja inferior, coloque un nivel en la pared interior de la cuba para verificar que el lavavajillas esté nivelado de lado a lado.

- Si no tiene un nivel, en su lugar puede utilizar una aplicación de nivel de un teléfono inteligente.



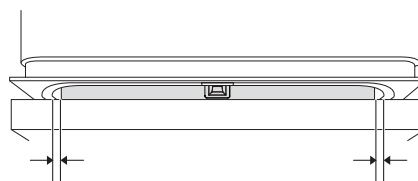
## Nivelado del lavavajillas

Verifique que el lavavajillas esté nivelado y ajuste las patas de nivelación si es necesario.

### ⚠ PRECAUCIÓN

- Si el lavavajillas no está bien nivelado, pueden producirse fugas, problemas para cerrar la puerta o ruidos.
- Si la abertura del gabinete es más angosta de lo recomendado (ver **Preparación de la abertura del gabinete**), el lavavajillas debe nivelarse y alinearse cuidadosamente para que este se apoye completamente en las 3 patas de nivelación y no quede colgado de los soportes de instalación. De lo contrario, el lavavajillas puede no funcionar o pueden producirse fugas desde la parte frontal del lavavajillas, errores AE y dificultad para cerrar la puerta.

Asegúrese de que el espacio entre las paredes de la cuba y el revestimiento de la puerta sea el mismo de cada lado.



## Cómo comprobar que el lavavajillas esté nivelado

Para verificar que la cuba esté nivelada de adelante hacia atrás, retire la bandeja inferior y vierta 169 oz. (5 L) de agua en el fondo de la cuba. El nivel del agua debe quedar cerca del centro de

## Ajuste de las patas de nivelación

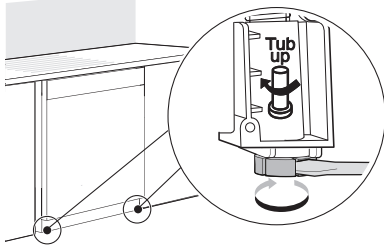
Ajuste según sea necesario hasta que el lavavajillas esté completamente nivelado.

- Ajuste las patas de nivelación delanteras y traseras hasta que hagan contacto firme con el piso. Si el lavavajillas no está bien nivelado, puede impedir que la puerta cierre correctamente y el artefacto no se encenderá.

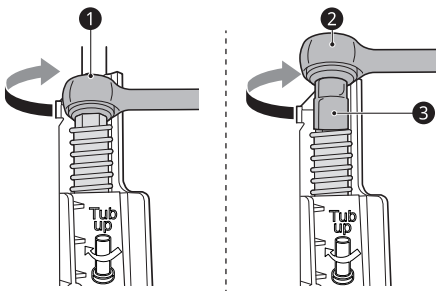
## Ajuste de las patas de nivelación delanteras

Use un destornillador de punta plana para girar las patas de nivelación delanteras y ajustar la parte frontal de la cuba.

- Haga girar las patas de nivelación delanteras en el sentido de las agujas del reloj para levantar la parte frontal de la cuba y en el sentido contrario a las agujas del reloj para bajarla.



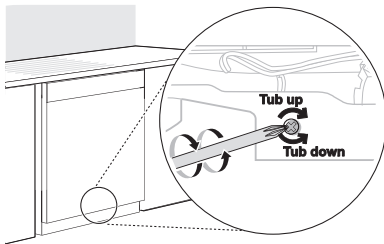
- Los ajustes funcionan de la misma forma para ambas patas de nivelación.
- Cuando no disponga de un destornillador de punta plana, use una llave con accionamiento cuadrado de 1/4" ❶ o una llave con accionamiento cuadrado de 3/8" ❷ con casquillo de 1/2" ❸ para girar las patas de nivelación delanteras y ajustar el frente de la cuba.



### Ajuste de la pata de nivelación trasera

Use un destornillador Phillips para ajustar la pata de nivelación trasera y la parte posterior de la cuba girando el tornillo central que se encuentra en la parte delantera de la base del artefacto.

- Haga girar el tornillo central en el sentido de las agujas del reloj para levantar la parte posterior de la cuba y en el sentido contrario a las agujas del reloj para bajarla.



### NOTA

- Para evitar producir daños en el tornillo, no utilice un destornillador eléctrico.

## Sujeción del lavavajillas en la abertura del gabinete

Hay 2 opciones para sujetar el lavavajillas en su sitio. Si el mostrador es de madera o de un material que puede taladrarse con seguridad, sujete el lavavajillas al mostrador con los soportes proporcionados. Si el mostrador es de granito, mármol o un material que no se puede taladrar, sujete el lavavajillas al bastidor del gabinete con los tornillos para madera provistos.

### ⚠ PRECAUCIÓN

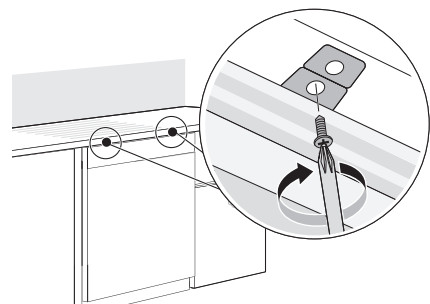
- Asegúrese de que el lavavajillas esté nivelado y que todas las patas de nivelación estén en contacto firme con el piso antes de fijar el lavavajillas al mostrador o al gabinete. Si el lavavajillas no está nivelado correctamente, es posible que la puerta no se cierre de forma adecuada o que haya fugas de agua.

### NOTA

- Los soportes de instalación y los tornillos se pueden encontrar en el cesto para cubiertos.
- Utilice un destornillador magnético.
- Cubra la boca del filtro con toallas para evitar que los tornillos caigan dentro de la bomba.

## Fijación del lavavajillas al mostrador

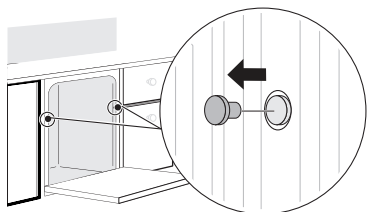
Use los tornillos para los soportes proporcionados a fin de asegurar los soportes de la parte superior del lavavajillas a la parte inferior del mostrador de madera.



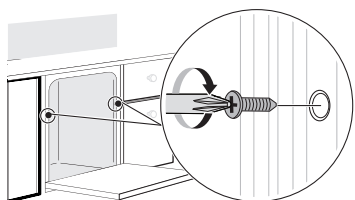
## Sujeción del lavavajillas al bastidor del gabinete

Si se desea, el lavavajillas también puede asegurarse al marco del gabinete. Para ello, siga las instrucciones a continuación.

- 1 Retire las 2 tapas plásticas de los orificios de acceso en los soportes de montaje.



- 2** Coloque un tornillo para madera a través del soporte de montaje y hacia el interior del bastidor del gabinete.



- 3** Reinstale las tapas plásticas.

### Lámina de aislamiento acústico

Si su modelo es enviado con una lámina de aislamiento acústico, siga las instrucciones proporcionadas para instalar la lámina ahora. Pero espere para instalar la almohadilla de aislamiento y la tapa inferior hasta después de la revisión final de la instalación.

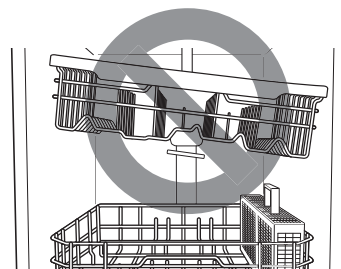
## Verificación final de la instalación

### Prueba del lavavajillas

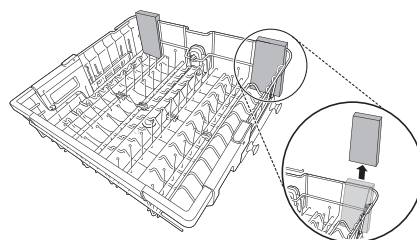
Verifique si el lavavajillas está instalado correctamente.

- 1** Encienda el interruptor de corriente.
- 2** Abra el suministro de agua de la vivienda.
- 3** Asegúrese de que la puerta se abre y cierra suavemente.
  - Si es necesario, nivele el lavavajillas nuevamente.

- Si la puerta no cierra, compruebe que la bandeja esté nivelada.



- Asegúrese de que se hayan retirado todos los materiales de empaque.

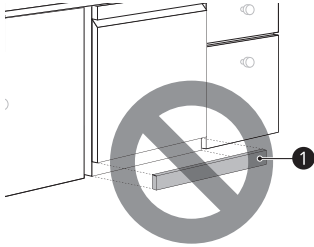


- 4** Encienda el lavavajillas y ejecute un ciclo **1 Hour (1 hora)** para verificar que el funcionamiento sea correcto.
- 5** Verifique si la manguera de desagüe o la conexión de suministro de agua presentan fugas.
- 6** Si se detecta una fuga de agua, mantenga presionado el botón **Start (INICIO)** durante 3 segundos para cancelar el ciclo de lavado y desagotar automáticamente el agua del lavavajillas. Ajuste todas las conexiones de agua y ejecute otro ciclo. Repita hasta que no se detecten fugas.

7 Vuelva a colocar la cubierta inferior.

**⚠ PRECAUCIÓN**

- Solo instale la cubierta inferior suministrada con el lavavajillas. No instale el zócalo del gabinete ❶ ya que esto podría ocasionar ruidos y fugas.



**Códigos de error de verificación de instalación**

Consulte la siguiente tabla antes de solicitar servicio técnico.

Código de error	Causa posible y solución
QE	<p><b>La manguera de desagüe está plegada o presionada.</b></p> <ul style="list-style-type: none"> <li>• Inserte las mangueras de desagüe y suministro a través del orificio bajo el fregadero. Gradualmente, deslice el lavavajillas dentro del gabinete mientras tira de las mangueras por debajo del fregadero para tensarlas. Esto sirve para evitar que las mangueras queden plegadas o presionadas detrás del lavavajillas.</li> </ul> <p><b>La manguera de desagüe está conectada al triturador sin que se haya extraído el tapón ciego.</b></p> <ul style="list-style-type: none"> <li>• Retire el tapón ciego del triturador.</li> </ul> <p><b>La pieza en T para desechos o el triturador están obstruidos.</b></p> <ul style="list-style-type: none"> <li>• Retire el tapón ciego de la pieza en T para desechos o el triturador.</li> </ul>

Código de error	Causa posible y solución
IE	<p><b>La línea de suministro de agua está plegada debajo del lavavajillas.</b></p> <ul style="list-style-type: none"> <li>• Inserte las mangueras de desagüe y suministro a través del orificio bajo el fregadero. Gradualmente, deslice el lavavajillas dentro del gabinete mientras tira de las mangueras por debajo del fregadero para tensarlas. Esto sirve para evitar que las mangueras queden plegadas o presionadas detrás del lavavajillas.</li> </ul> <p><b>El suministro de agua de la vivienda no está abierto.</b></p> <ul style="list-style-type: none"> <li>• Abra la llave de agua.</li> </ul>

# FUNCIONAMIENTO

## Antes de usar

### ADVERTENCIA

- Para reducir el riesgo de incendios, descargas eléctricas o lesiones a las personas, lea las **INSTRUCCIONES DE SEGURIDAD** antes de operar este artefacto.

### NOTA

- Conecte al suministro de agua caliente solamente. La temperatura del suministro de agua debería ser de un mínimo de 120 °F (49 °C) para un mejor lavado y una duración más breve del ciclo.
- Siga las instrucciones para cargar el lavavajillas para asegurar una limpieza eficaz.
- Quite los elementos insolubles como huesos, palillos y pedazos de papel cuando cargue el lavavajillas.

## Comienzo rápido

### 1 Cargue la vajilla.

- Tire de cada bandeja y cargue la vajilla según se describe en este manual.
- Cargue solo objetos que sean aptos para lavavajillas.
- Raspe la vajilla para retirar excesos de alimentos, huesos y cualquier otro residuo sólido insoluble. Retire los restos sólidos o quemados de la vajilla antes de cargarla en el lavavajillas.
- Coloque los objetos más profundos en un ángulo para ayudar a que corra el agua y para contribuir con la velocidad del proceso de secado.
- No cargue artículos que no sean resistentes al calor o que tengan decoraciones en metal.

### 2 Agregue el detergente.

- Use las pautas de este manual, llene el recipiente para detergente con la cantidad recomendada y cierre la tapa. Si desea prelavado, también debe llenar con detergente el hueco sobre la tapa.

### 3 Encienda el lavavajillas.

- Para encender el panel de la pantalla, presione el botón **Encendido**.

### 4 Verifique el abrillantador.

- La luz LED **Rinse Aid Refill (Ayuda en relleno de enjuague)** parpadeará si el nivel de abrillantador del lavavajillas es bajo.

Agregue abrillantador si el nivel es bajo para mantener la efectividad del ciclo de secado.

### 5 Seleccione el ciclo y las opciones

- Seleccione el ciclo y las opciones que mejor se adapten a la carga. Para ello, consulte la **Guía de ciclos**. La pantalla mostrará el tiempo estimado para el ciclo y las opciones seleccionados.

### 6 Operación del lavavajillas.

#### • Método 1

- Presione el botón de **Start (INICIO)** y luego cierre la puerta antes de que transcurran cuatro segundos para operar el lavavajillas. Si la puerta no se cierra dentro de los cuatro segundos, la luz LED blanca con la hora parpadea, suena una alarma y el ciclo no se inicia.

#### • Método 2

- Cierre la puerta primero y luego presione el botón **Start (INICIO)** para hacer funcionar el lavavajillas.

### NOTA

- Si se abre la puerta durante el ciclo, el lavavajillas se detendrá. Para reanudar el ciclo, consulte los métodos 1 y 2 mencionados anteriormente.
- Si se abre la puerta durante el ciclo y no se cierra dentro de los cuatro segundos de haber seleccionado el botón de **Start (INICIO)**, o si se cierra la puerta sin presionar el botón de **Start (INICIO)**, la luz LED blanca con la hora parpadea, suena una alarma y el ciclo no se inicia.

### 7 Fin de ciclo.

- Cuando el ciclo haya finalizado, se emitirá un sonido y la pantalla mostrará End hasta que se abra la puerta o hasta que se presione **Encendido**. Para activar o desactivar la pantalla End, consulte el tema **Uso de la opción modo configuración**.
- Es normal que el lavavajillas suene continuamente si se abre durante el funcionamiento o justo después de terminar el ciclo. El lavavajillas le informa que las temperaturas interiores de la unidad son altas y debe tener cuidado al introducir las manos en el interior. Cuando la unidad se enfría, el pitido se detiene.

---

### PRECAUCIÓN

- No abra la puerta durante la operación ni inmediatamente después de que se haya completado el ciclo de lavado, ya que el vapor que surge del interior puede provocar quemaduras cuando se abra la puerta.

---

### NOTA

- Vacíe primero la bandeja inferior y luego la bandeja superior. Esto evitará que el agua de la bandeja superior caiga sobre la vajilla de la bandeja inferior.

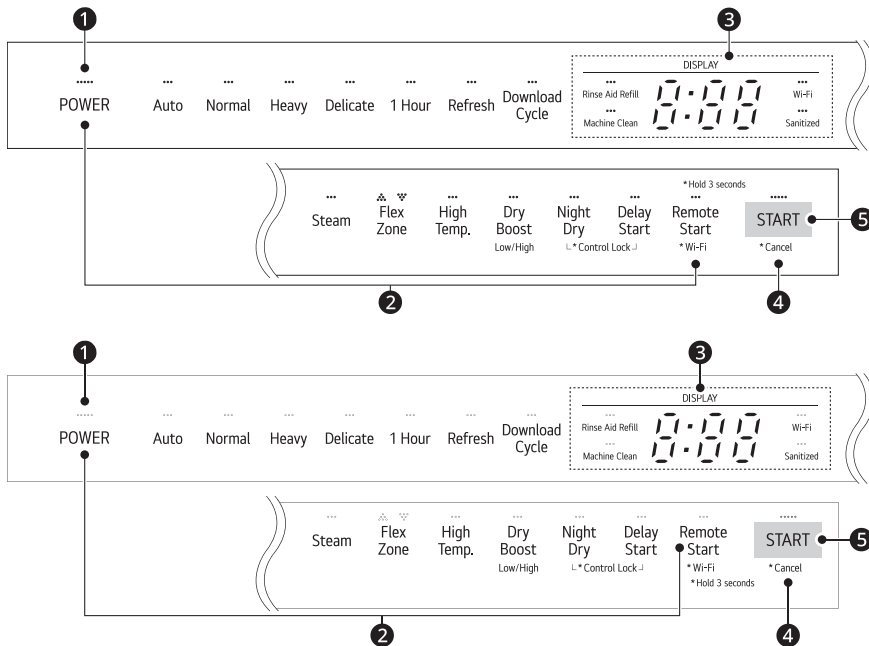
---

### Apagado automático

El lavavajillas se apaga automáticamente luego de cuatro minutos de inactividad en caso de que se lo pause o si no se inicia un ciclo.

# Panel de control

## Funciones del panel de control



### 1 Botón de Encendido

- Presione este botón para encender o apagar la lavadora.
- Después de completar el ciclo, la energía se apaga automáticamente por seguridad y economía.
- Si se produce una sobrecarga eléctrica, un apagón o una interrupción del suministro eléctrico de cualquier clase, la energía se apaga de manera automática por cuestiones de seguridad.
- Cuando se vuelve a conectar la electricidad, el lavavajillas se enciende automáticamente y el ciclo se reanuda.

### 2 Opción modo configuración

- Puede ajustar varias opciones con la **opción modo configuración**.
- Con el electrodoméstico apagado, presione **Encendido** y **Remote Start (Inicio a distancia)** simultáneamente para acceder a la **opción modo configuración**.
- Consulte el tema **Uso de la opción modo configuración** para conocer cada función de la **opción modo configuración**.

### 3 Pantalla

#### • Rinse Aid Refill (Ayuda en relleno de enjuague)

- Este luz LED se enciende cuando el nivel de abrillantador es bajo. La luz LED se apaga automáticamente cuando el compartimiento del abrillantador se vuelve a llenar o el nivel se configura en 0.
- Para ajustar el nivel de abrillantador, consulte el tema **Uso de la opción modo configuración**.

#### • Machine Clean (Limpieza de la máquina)

- La luz LED **Machine Clean (Limpieza de la máquina)** parpadea cada 30 ciclos. Para activar o desactivar luz LED, consulte el tema **Uso de la opción modo configuración**.

#### • 8:00 : Pantalla digital

- La pantalla digital del panel de control muestra el tiempo ESTIMADO del ciclo. Cuando se seleccionan el ciclo y las opciones, la pantalla muestra el tiempo estimativo total para completar

dichas selecciones. Durante el funcionamiento, la pantalla muestra el tiempo de funcionamiento estimativo restante.

### NOTA

- El tiempo estimado en pantalla no incluye los tiempos de retraso para calentar agua, etc.
  - Si se selecciona **Delay Start (Inicio retardado)**, la pantalla muestra el tiempo de retraso en horas.
  - El tiempo del ciclo podría variar según el nivel de suciedad de su carga.
- 
- **[L]: Control Lock (Bloqueo de control)**
    - La función de **Control Lock (Bloqueo de control)** ayuda a evitar que se cambien los ajustes durante un ciclo. La selección de esta función bloquea todos los botones, excepto el botón **Encendido** del panel de control. Esta función no bloquea la puerta.
    - Mientras un ciclo está activo, mantenga presionados **Night Dry (Secado nocturno)** y **Delay Start (Inicio retardado)** simultáneamente por tres segundos para activar o desactivar la función **Control Lock (Bloqueo de control)**.
    - Para comenzar un nuevo ciclo, desactive el **Control Lock (Bloqueo de control)**.
  - **Sanitized (Desinfección)**
    - Si la opción de **Steam (Vapor)** se agrega a un ciclo, el indicador permanece encendido al final del ciclo si los platos se desinfectaron adecuadamente (excepto para el ciclo **Refresh (Refrescar)**).
  - **Wi-Fi**
    - Este luz LED se enciende cuando el electrodoméstico está conectado a Internet a través de una red Wi-Fi doméstica.
    - Mantenga presionado **Remote Start (Inicio a distancia)** durante aproximadamente 3 segundos para conectar a la red.
- ④ **Botón de Cancel (Cancelar)**
- La bomba de desagüe se activa y se cancela el ciclo. Después de que se termina de desagotar el lavavajillas, se apaga la electricidad.
  - Mantenga presionado el botón **Start (INICIO)** durante tres segundos para activarlo.
- ⑤ **Botón de Start (INICIO)**
- Para operar la máquina puede presionar **Start (INICIO)** y cerrar la puerta antes de que transcurran cuatro segundos o cerrar la puerta y presionar **Start (INICIO)**.
  - Sonará una alerta cuando la puerta no se cierre dentro de los 4 segundos de haberse presionado el botón **Start (INICIO)**.

## Ciclos de lavado

Seleccione el ciclo que desee.

### Auto (Automático)

Este ciclo detecta la cantidad de suciedad y la dificultad de la suciedad y se optimiza para lograr la mejor limpieza.

### Normal

Este ciclo es de uso diario, regular o típico para lavar íntegramente una carga completa de vajilla con suciedad normal. Se recomienda la opción **Dry Boost (Refuerzo del secado) Bajo** para una

eficiencia óptima en el consumo de energía. Seleccione la opción **Night Dry (Secado nocturno)** si deja la vajilla en el lavavajillas toda la noche.

- Después de finalizado el ciclo, el ventilador trabaja por una hora para ayudar a ventilar el aire caliente y húmedo de la cuba. Puede detener el ventilador abriendo la puerta luego de que el ciclo haya finalizado.

### Heavy (Pesado)

Este ciclo se utiliza para lavar vajilla con mucha suciedad y con residuos endurecidos. Este ciclo está predeterminado para funcionar con la

intensidad de aspersión más elevada y se utiliza para lavar vajilla muy sucia.

## Delicate (Delicado)

Use este ciclo para limpiar elementos delicados, como por ejemplo porcelana fina y copas.

## 1 Hour (1 hora)

Este ciclo limpia y seca vajilla con suciedad leve en 1 hora.

- Este ciclo cuenta con secado en caliente. Para mejorar los resultados de secado, agregue tiempo de secado en caliente seleccionando la opción **Dry Boost (Refuerzo del secado)**.

## Refresh (Refrescar)

Este ciclo refresca y calienta platos que no han sido utilizados durante mucho tiempo.

- No utilice detergente cuando utilice este ciclo.
- La opción de steam (vapor) no puede apagarse en este ciclo.

## Download Cycle (Descarga de ciclo)

Use un ciclo dedicado que se puede descargar mediante Wi-Fi o NFC. Debe instalar la aplicación para teléfonos inteligentes LG ThinQ para descargar ciclos diferentes al ciclo predeterminado **Machine Clean (Limpieza de la máquina)**.

### NOTA

- Únicamente el código de ciclo para el ciclo de Descarga en curso aparece en el electrodoméstico. Consulte la aplicación del teléfono inteligente para encontrar códigos, nombres, y más información acerca de los ciclos disponibles.
  - Ciclo predeterminado: **P1-Machine Clean (Limpieza de la máquina)**
- **Machine Clean (Limpieza de la máquina) (P1)**  
Este ciclo es para limpiar el interior del lavavajillas. Utilice este ciclo sin colocar vajilla en la máquina. Elimina la suciedad residual, los olores, las manchas blancas y otra suciedad. Agregue ácido cítrico u otro agente limpiador para obtener resultados más efectivos.
- **Express (Exprés) (P2)**  
Este ciclo limpiará rápidamente platos levemente sucios.

- Este ciclo no tiene secado.

- **Rinse (Enjuague) (P3)**

Este es un ciclo rápido para la vajilla que no se lavará de inmediato. Este ciclo enjuaga la vajilla que tiene suciedad en exceso para ablandar los residuos secos. Enjuagar la vajilla evita la aparición de olores en el lavavajillas. No debe utilizarse detergente.

- Este ciclo no tiene secado.

- **Ollas y sartenes (P4)**

Limpia la vajilla muy sucia. No friegue más a mano las sartenes y las ollas.

- **Cazuelas (P5)**

Limpia la vajilla muy sucia y engrasada. Las cazuelas salen limpias.

- **Cristalería (P6)**

Lava cuidadosamente la cristalería delicada y la deja brillante.

- **Limpieza nocturna (P7)**

Lava los platos en silencio durante la noche. Duerma sin preocupaciones sabiendo que los platos van a estar limpios por la mañana.

## Opciones y funciones adicionales

Seleccione el ciclo deseado y luego, seleccione las opciones para ese ciclo.

### Steam (Vapor)

Esta opción agrega vapor al comienzo del ciclo para mejorar el rendimiento de lavado.

Si la opción **Steam (Vapor)** se agrega a un ciclo, el indicador **Sanitized (Desinfección)** permanece encendido al final del ciclo si los platos se desinfectaron adecuadamente (excepto para el ciclo **Refresh (Refrescar)**). Si el lavavajillas no pudo desinfectar adecuadamente los platos porque no se seleccionó la opción **Steam (Vapor)**, se interrumpió el ciclo o el agua no pudo calentarse a la temperatura requerida, el indicador no se encenderá al final del ciclo. Abra y cierre la puerta o presione el botón de **Encendido** para apagar el indicador.

**NOTA**

- Este enjuague de alta temperatura desinfecta los platos y la cristalería de acuerdo con el estándar 184 de NSF/ANSI para lavavajillas residenciales. Los lavavajillas residenciales certificados no están diseñados para ser utilizados en establecimientos de alimentos autorizados. Solo los ciclos de desinfección se han diseñado para cumplir con los requisitos para la eliminación de suelos y la eficacia de desinfección. No existe ninguna intención, directa ni indirecta, de que todos los ciclos en una máquina certificada hayan superado la prueba de rendimiento de desinfección.

**Uso de Zona flexible**

Esta opción ajusta la intensidad del lavado para abordar diferentes zonas dentro del lavavajillas. Configúrela para lavar solo la bandeja superior o inferior o ajuste la intensidad en suave para el brazo rociador superior y en fuerte para el brazo rociador inferior.

La opción **Flex Zone (Zona Flexible)** (Zona flexible) viene apagada de manera predeterminada. Presione el botón **Flex Zone (Zona Flexible)** para personalizar la configuración.

- Presione el botón **Flex Zone (Zona Flexible)** varias veces para seleccionar uno de los tres modos.

Modo	Descripción
☼ ☼ Flex Zone	Diferentes condiciones <ul style="list-style-type: none"> <li>Coloque la vajilla con suciedad difícil, como platos y tazones, en la bandeja inferior y la vajilla con suciedad leve, como tazas y platos pequeños en la bandeja superior para obtener mejores resultados.</li> </ul>
☼ Flex Zone	Cargas pequeñas y suciedad leve <ul style="list-style-type: none"> <li>Use la bandeja superior para ahorrar energía y tiempo.</li> </ul>
☼ Flex Zone	Cargas pequeñas y suciedad difícil <ul style="list-style-type: none"> <li>Use solo la bandeja inferior para ahorrar energía y tiempo.</li> </ul>

**High Temp. (Alta temperatura)**

Eleva la temperatura de lavado principal para mejorar la limpieza.

**Dry Boost (Refuerzo del secado)**

Seleccione la opción **Dry Boost (Refuerzo del secado)** para un mejor desempeño del secado. Esta opción agrega un secado en caliente al ciclo para proporcionar mejores resultados de secado.

Modo	Descripción
<b>Dry Boost (Refuerzo del secado) Bajo</b>	Presione una vez el botón <b>Dry Boost (Refuerzo del secado)</b> para lograr una eficiencia óptima en el consumo de energía.
<b>Dry Boost (Refuerzo del secado) Alto</b>	Presione dos veces el botón <b>Dry Boost (Refuerzo del secado)</b> para obtener mejores resultados de secado.
<b>Dry Boost (Refuerzo del secado) Apagar</b>	Presione tres veces el botón <b>Dry Boost (Refuerzo del secado)</b> para desactivar la opción <b>Dry Boost (Refuerzo del secado)</b> .

- Si el dispensador del abrillantador está vacío, se agrega automáticamente la opción **Dry Boost (Refuerzo del secado) Bajo** a todos los ciclos (excepto para el ciclo **Normal, 1 Hour (1 hora)**), a menos que configure el dispensador del abrillantador en L0.

**Night Dry (Secado nocturno)**

A menudo, los platos quedan en el lavavajillas durante toda la noche una vez que finaliza el ciclo. Esto puede provocar que el vapor dentro de la cuba se condense sobre la vajilla y la deje húmeda. Esta opción hace que el ventilador funcione periódicamente para ayudar a ventilar el vapor de la cuba.

- La opción de **Night Dry (Secado nocturno)** se selecciona por defecto con todos los ciclos para los que está disponible, excepto para el ciclo **Normal**.

**Delay Start (Inicio retardado)**

Esta función retarda el inicio de un ciclo seleccionado. Cada vez que presione el botón **Delay Start (Inicio retardado)**, el tiempo de retardo aumenta en una hora. Es posible configurar el tiempo de retardo entre 1 y 12 horas, en incrementos de una hora.

**Remote Start (Inicio a distancia)**

Use un teléfono inteligente para controlar su electrodoméstico de manera remota. También

puede monitorear el funcionamiento de su ciclo para saber cuánto tiempo queda del ciclo. Cuando se ha activado esta función, puede iniciar un ciclo desde la aplicación del teléfono inteligente. Si la

puerta no se cierra dentro de los 4 segundos de haberse presionado **Remote Start (Inicio a distancia)**, la función **Remote Start (Inicio a distancia)** se cancela.

## Guía de ciclos y opciones

La guía de ciclos a continuación muestra las opciones disponibles para cada ciclo.

Ciclo		Auto (Automático)	Normal	Heavy (Pesado)	Delicate (Delicado)	1 Hour (1 hora)	Refresh (Refrescar)
Nivel de suciedad		Todos los niveles	Todos los niveles	Heavy (Pesado)	Ligera	Ligera	Ligera
Uso de agua	(L)	13.2 - 23.7	9.2 - 29.2	23.9 - 27.0	16.6 - 21.7	18.1	8.0
	(gal)	3.5 - 6.3	2.4 - 7.7	6.3 - 7.1	4.4 - 5.7	4.8	2.1
Tiempo de lavado con opciones (min.)		107 - 235	109 - 220	167 - 231	110 - 175	60 - 105	57 - 107
Opciones disponibles	Steam (Vapor)	●	●	●*	●*		●**
	Flex Zone (Zona Flexible)	●	●	●			
	High Temp. (Alta temperatura)	●	●	●		●	
	Dry Boost (Refuerzo del secado)	●	●	●	●	●	●
	Night Dry (Secado nocturno)	●*	●	●*	●*	●*	●*
	Delay Start (Inicio retardado)	●	●	●	●	●	●

\* Configuración predeterminada

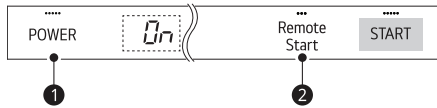
\*\* Esta opción no puede apagarse

### NOTA

- El consumo real de agua variará según el nivel de suciedad y la dureza del agua.
- El tiempo actual de ejecución y el tiempo de ciclo mostrado pueden cambiar dependiendo de las opciones seleccionadas, nivel del suelo, temperatura y dureza del agua. Por lo tanto, el tiempo mostrado y el de ejecución actual podrían diferir.
- No hay opciones disponibles para **Download Cycle (Descarga de ciclo)**. El ciclo **Machine Clean (Limpieza de la máquina)** es el **Download Cycle (Descarga de ciclo)** predeterminado.

## Uso de la opción modo configuración

Puede ajustar varias opciones con la **opción modo configuración**.



- 1 Asegúrese de que el artefacto esté apagado.
- 2 Presione los botones **Encendido** ① y **Remote Start (Inicio a distancia)** ② simultáneamente para acceder a la **opción modo configuración**.
- 3 Consulte la tabla para configurar cada función.

Función	Botón	Pantalla
Recordatorio de limpieza de la máquina	<b>Night Dry (Secado nocturno)</b>	Off ↔ On
Nivel del abrillantador	<b>Dry Boost (Refuerzo del secado)</b>	L2 → L3 → L4 → L0 → L1 → L2 →
Luz de limpieza	<b>High Temp. (Alta temperatura)</b>	On ↔ Off
Emisión de sonido	<b>1 Hour (1 hora)</b>	On ↔ Off
Configuración automática	<b>Delicate (Delicado)</b>	On ↔ Off
Sonido de fin de ciclo	<b>Heavy (Pesado)</b>	On ↔ Off

### NOTA

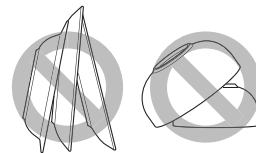
- Recordatorio de limpieza de la máquina
  - La luz LED **Machine Clean (Limpieza de la máquina)** parpadea cada 30 ciclos. Puede activar o desactivar luz LED.
- Nivel del abrillantador
  - Puede ajustar el nivel de abrillantador de L0 a L4.

- Para obtener más información, consulte la sección **Ajuste del dispensador de abrillantador**.
- Luz de limpieza
  - La configuración predeterminada en ON mantiene la luz verde encendida hasta que se abre la puerta. Si la configuración se cambia a OFF, la luz verde se apaga después de 90 segundos.
- Emisión de sonido
  - Puede encender/apagar el volumen del sonido de los botones o de las notificaciones.
  - El sonido de alerta de error no puede apagarse.
- Configuración automática
  - La configuración predeterminada en ON selecciona de manera automática las opciones para un mejor rendimiento del lavado y secado.
  - Si la configuración se cambia a OFF, las opciones ya no estarán seleccionadas.
- Sonido de fin de ciclo
  - Puede encender/apagar el sonido de fin de ciclo.

## Carga del lavavajillas

La cuba extra alta permite la carga de platos, sartenes u otros utensilios de hasta 14" de alto. Para un resultado de lavado efectivo, siga siempre instrucciones que se encuentran a continuación.

- Retire las partículas grandes de restos de comida de los platos, incluidos huesos, antes de cargar el artefacto.
- Las piezas con comida quemada deben remojar antes de ser cargados en el lavavajillas.
- Los platos o recipientes profundos deben colocarse invertidos.
- Asegúrese de que las piezas de la vajilla no se toquen entre sí.



### Objetos no adecuados para el lavavajillas

La combinación de agua a altas temperaturas y de detergentes para lavavajillas puede dañar ciertos

objetos. No lave los siguientes objetos en el lavavajillas:

- Cobre o aluminio anodizado
- Porcelana pintada a mano con oro o plata
- Utensilios con mangos de madera o hueso
- Utensilios de hierro o de material que pueda oxidarse
- Objetos de plástico que no sean aptos para lavavajillas
- Cubiertos de plata o chapados en oro o porcelana fina o con bordes de metal
- Piezas frágiles como, por ejemplo, copas de cristal

### ⚠ PRECAUCIÓN

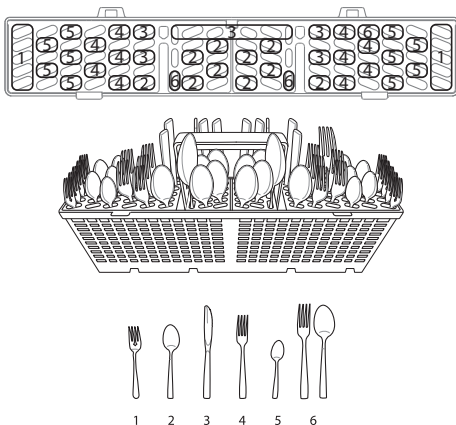
- No coloque ollas y sartenes con manijas plásticas en el artefacto ya que las manijas pueden deteriorarse debido al calor y al detergente.
- Puede que no se quiten de los vasos las manchas de lápiz labial de larga duración o a prueba de agua.

## Carga en el cesto para cubiertos

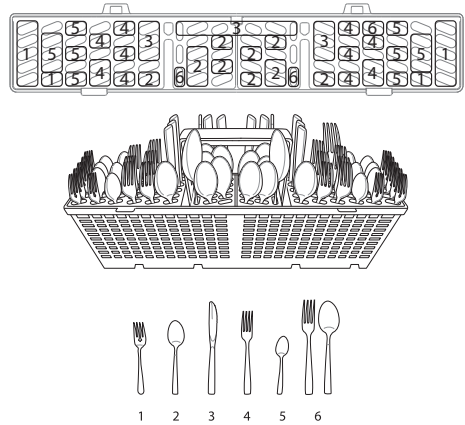
El cesto de cubiertos cuenta con separadores para evitar que se raspen y manchen los cubiertos delicados.

### Carga de cubiertos en el cesto

#### Carga de 10 posiciones



#### Carga de 12 posiciones



### Sugerencias para la carga de cubiertos:

- Para obtener mejores resultados de limpieza, utilice los separadores superiores del cesto cuando cargue los cubiertos. Los separadores evitan que los cubiertos se amontonen.
- Cargue los objetos filosos, como por ejemplo los cuchillos, apuntando hacia abajo.
- Cuando se descarga el lavavajillas, lo mejor es comenzar por el cesto de cubiertos. Esto evitará que caigan gotas de agua sobre los cubiertos desde la bandeja superior.

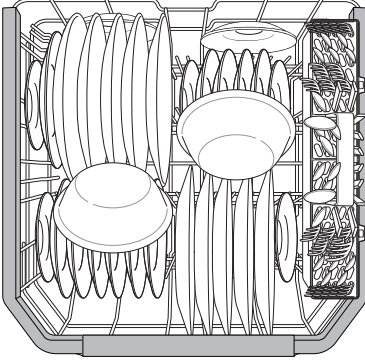
### ⚠ ADVERTENCIA

- Tenga cuidado al cargar y descargar objetos filosos. Cargue los cuchillos filosos con los mangos hacia arriba para disminuir el riesgo de lesiones personales.

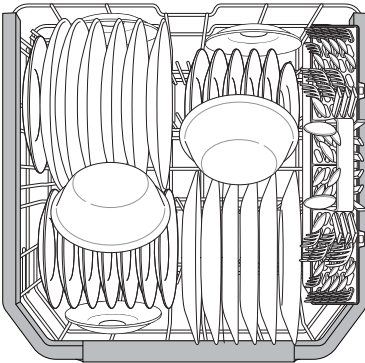
## Carga en la bandeja inferior

### Carga de platos en la bandeja inferior

#### Carga de 10 posiciones



#### Carga de 12 posiciones



### Sugerencias de carga para la bandeja inferior:

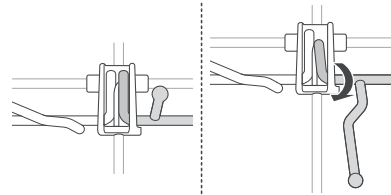
- Las bandejas deben colocarse en posición vertical y enfrentando al centro de la bandeja y las ollas, sartenes y la vajilla de gran tamaño debe colocarse invertida.
- Cargue bandejas de cena, platos, tazones de sopa, recipientes, etc., entre las puntas separadoras.
- Cargue placas para hornear, moldes de pasteles y otros objetos grandes en los laterales o la parte posterior de la bandeja. Si carga estos objetos en la parte frontal del lavavajillas, impedirán que el agua por aspersion llegue al dispensador de detergente.
- Asegúrese de que las manijas de las ollas y otros objetos grandes no detengan la rotación de los brazos rociadores.

- La bandeja inferior no se debe usar para objetos pequeños como tazas, vasos de vino o platos pequeños. Estos objetos se deben cargar en la bandeja superior.
- Asegúrese de que los objetos grandes no interfieran con la rotación de los brazos rociadores y que no impidan que el dispensador de detergente se abra.

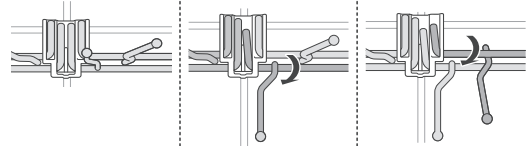
### Plegado de las puntas separadoras inferiores

Pliegue las puntas separadoras hacia abajo para acomodar la vajilla más grande; despliegue las puntas separadoras hacia arriba para acomodar la vajilla más pequeña.

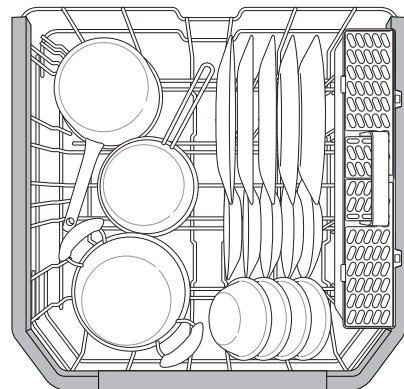
#### Caso 1

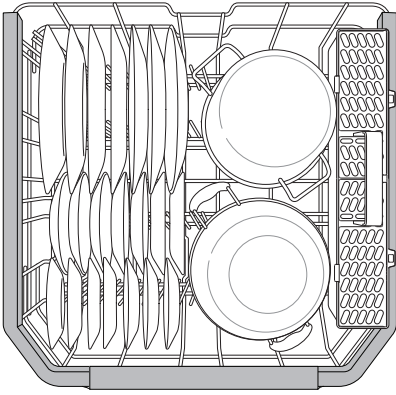


#### Caso 2

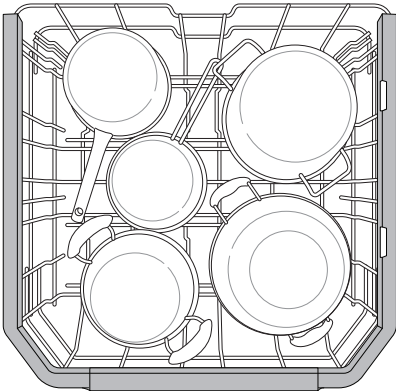
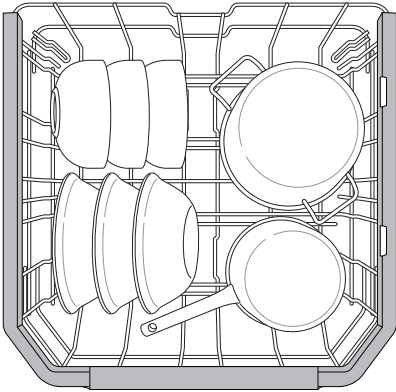


### Carga de platos y ollas

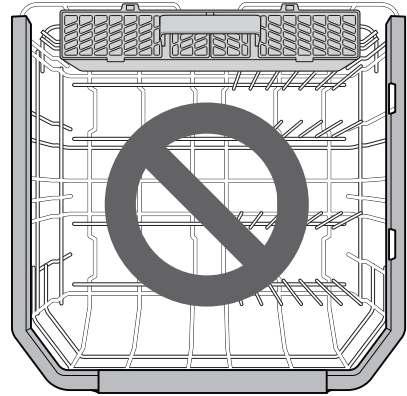
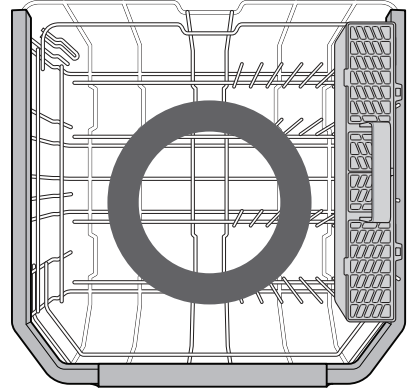




**Carga de ollas y tazones**



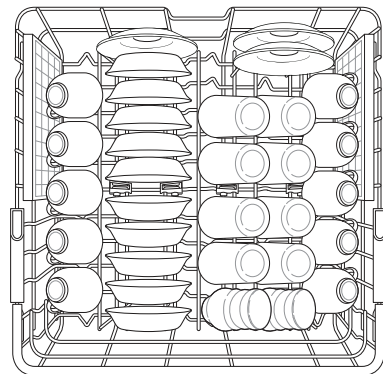
mejor desempeño, instálelo a lo largo del lado derecho, como se muestra en la figura.



**Carga en la bandeja superior**

**Carga de platos en la bandeja superior**

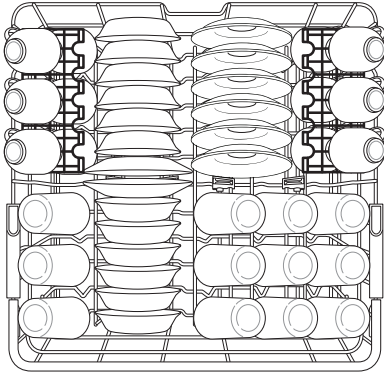
**Carga de 10 posiciones**



**NOTA**

- El cesto para cubiertos se encuentra instalado en la parte posterior del estante del fondo. Para un

## Carga de 12 posiciones



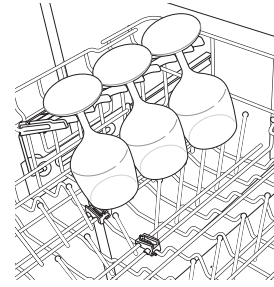
## Sugerencias de carga para la bandeja superior:

- Coloque las tazas y los vasos en las filas entre las puntas separadoras. Colocarlos sobre las puntas separadoras puede ocasionar quebraduras y/o manchas de agua.
- Para evitar que se astillen, no permita que tengan contacto con otros objetos.
- Ubique los elementos de manera que los extremos abiertos queden orientados hacia abajo para facilitar su limpieza y secado.
- No apile los objetos.
- Se recomienda utilizar la bandeja superior para platos pequeños, tazas, platillos, vasos y objetos de plástico aptos para lavavajillas.
- Las tazas, los vasos y los tazones se deben orientar hacia abajo.
- Asegúrese de que los objetos no interfieran con la rotación de los brazos rociadores por arriba y por debajo de la bandeja superior.
- Al cargar objetos grandes en la bandeja superior, como vasos de vino o tazas altas, podría ser necesario extraer la bandeja para cubiertos en caso de que la hubiera. (En modelos con bandeja para cubiertos)

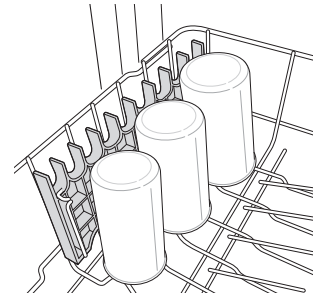
## Carga del porta copas

Esta característica solamente está disponible en algunos modelos.

Otras tazas o utensilios de cocina se pueden colocar en las bandejas plegables para tazas, que también se adaptan a las copas.



Las bandejas para tazas pueden plegarse hacia arriba para dejar espacio para copas o vasos altos.

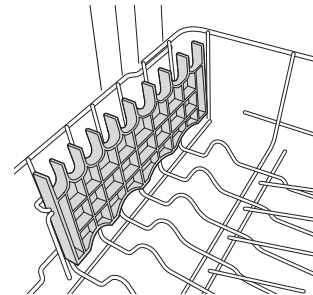


## Retiro y colocación de la bandeja para tazas

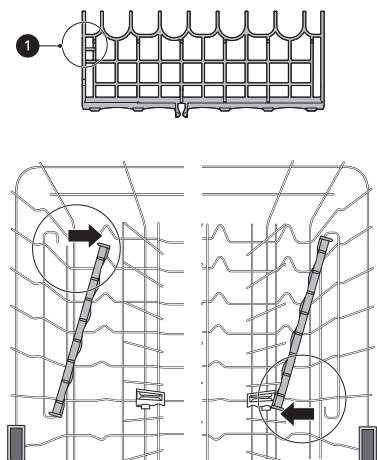
Esta característica solamente está disponible en algunos modelos.

Las bandejas para tazas izquierda y derecha son intercambiables y pueden extraerse.

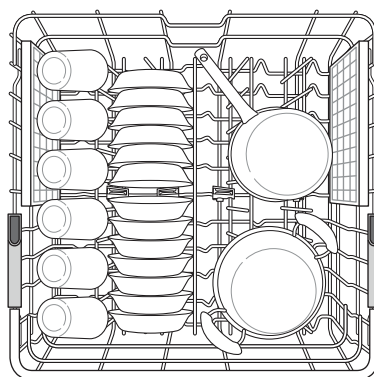
- 1 Deslice la bandeja para tazas hacia abajo hasta la posición de cerrado.



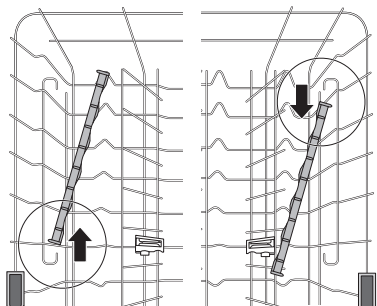
- 2 Ubique la ranura del ensamble ❶ en la bandeja para tazas, haga coincidir la ranura con la barra, y con firmeza haga salir la barra de soporte de ese lado.
  - El estante de la izquierda se libera en la parte de atrás. El estante de la derecha se libera en la parte de adelante.



## Carga de platos y ollas



- 3** Deslice la bandeja para tazas quitándolo de la barra de soporte del lado opuesto.

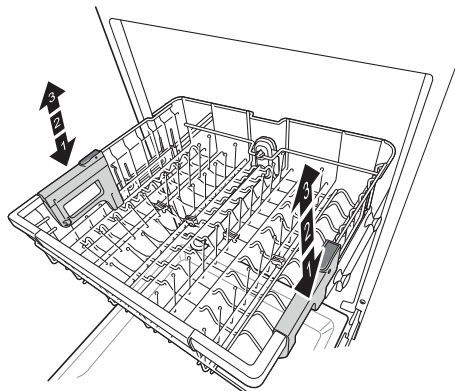


## Bandeja superior con altura ajustable

La bandeja superior se ajusta hacia arriba y hacia abajo. Suba la bandeja superior para dar lugar a objetos de hasta 14" de altura en la bandeja inferior. Baje la bandeja superior para dar lugar a objetos de hasta 12" de altura en la bandeja superior. El lavavajillas se envía con la bandeja superior subida.

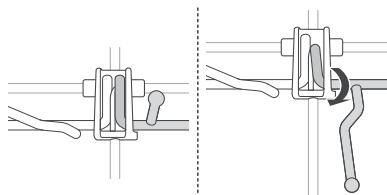
Existen tres posiciones disponibles para ajustar la altura de la bandeja superior a fin de crear más espacio.

- 4** Siga las instrucciones a la inversa para volver a colocar la bandeja para tazas.



## Plegado de las puntas separadoras superiores

Pliegue las puntas separadoras hacia abajo para acomodar la vajilla más grande; despliegue las puntas separadoras hacia arriba para acomodar la vajilla más pequeña.



### ⚠ ADVERTENCIA

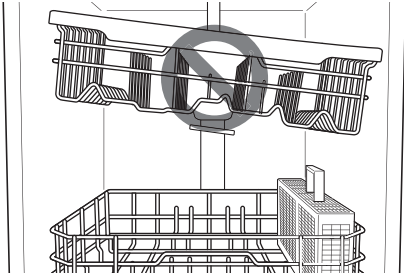
- Antes de ajustar, asegúrese de que el estante no contenga vajilla de ningún tipo. De lo contrario, los platos pueden dañarse o usted puede sufrir lesiones.

### NOTA

- Levante el estante superior sin presionar los botones ubicados a cada lado. Si presiona los botones cuando levanta el estante, no permitirá que el estante quede fijo en su posición.

**NOTA**

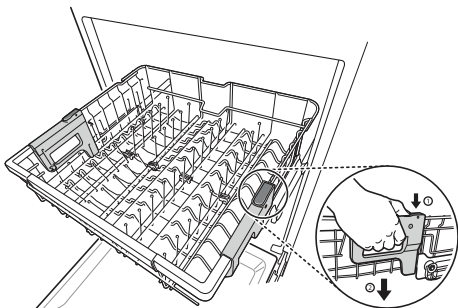
- Para ubicar el estante en la posición media, puede resultar más fácil llevarlo por completo hasta abajo y luego levantar cada lado de este individualmente hasta que hagan clic en el lugar.
- Antes de empujar la bandeja superior en el lavavajillas, asegúrese de que la altura de la bandeja sea la misma en ambos lados. Si la altura no es la misma en ambos lados, la puerta del lavavajillas no cerrará y el brazo rociador superior no se conectará con la entrada de agua.



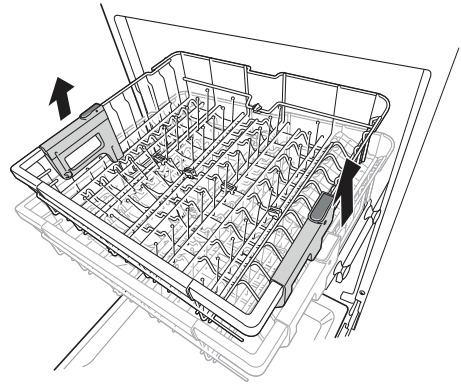
- Hay un incremento de 2 3/16 pulgadas (56 mm) en la altura disponible cuando el estante superior se coloca en la posición más baja.
- Luego de ajustar los niveles de las bandejas, verifique que los brazos rociadores no estén impedidos de rotar.
- Cuando la bandeja superior se encuentre en la posición inferior, asegúrese de que la bandeja y el brazo rociador no golpeen los artículos que se encuentren en la bandeja inferior.
- Cuando la bandeja superior se encuentre en la posición inferior, empuje hacia adentro la bandeja superior primero y la bandeja inferior después.
- Tire de la bandeja inferior primero y de la bandeja superior después.

**Para bajar la bandeja**

Sostenga la bandeja del centro de cada lado para soportar su peso. Luego, presione el botón de cada lado para soltar la bandeja y bájela hasta la posición correcta.

**Para subir la bandeja**

Levante la bandeja del centro de cada lado hasta que la bandeja se trabe en la posición superior. No es necesario levantar las palancas de bloqueo para subir la bandeja.

**Removiendo el Estante de Encaje Deslizable Superior**

Esta característica solamente está disponible en algunos modelos.

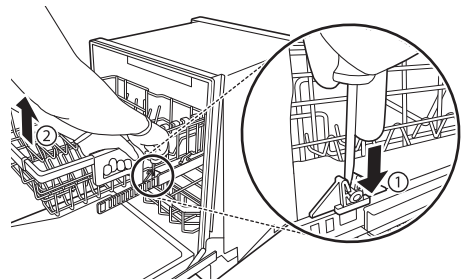
Estas instrucciones son más para modelos con estantes encajables que para estantes de soportes con ruedas.

**⚠ PRECAUCIÓN**

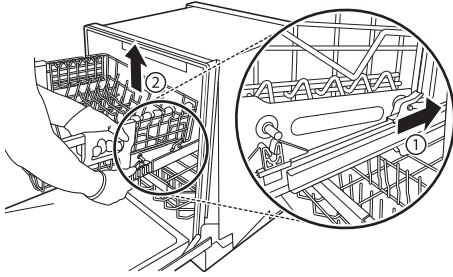
- El estante superior encajable debe ser removido únicamente para servicio. Si desea removerlo utilice guantes y maneje el destornillador con precaución para evitar lesiones personales o daños a la lavadora de platos.

**1** Jale el estante superior hasta que se detenga. Remueva cualquier contenido en él.

**2** Para remover los soportes delanteros del estante de los rieles, abra los ganchos delanteros con un destornillador de punta plana mientras levanta el frente del estante para desencajar los soportes delanteros de los ganchos. Repita para desencajar los soportes delanteros en el lado opuesto.



- 3** Para remover los soportes traseros del estante de los rieles, sostenga un riel lateral con una mano, levante el frente del estante, y empújelo de nuevo firmemente para desenganchar el soporte de los ganchos en la parte trasera. Repita en el lado opuesto.



- 4** Para remplazar el estante, coloque los soportes del estante trasero detrás de los ganchos laterales y empújelo hacia adelante para cazar los soportes en los ganchos. Luego alinee los soportes del estante delantero con los ganchos delanteros y empuje la parte frontal del estante hacia abajo para cazar los soportes con los ganchos.

## Carga del estante de cubiertos

La bandeja para cubiertos es la más adecuada para la cubertería. Los separadores de las bandejas de cubiertos ayudan a mantener la cubertería separada a fin de evitar daños y mejorar la limpieza.

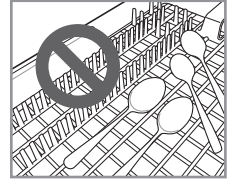
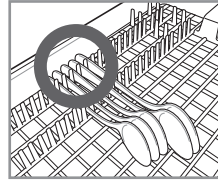
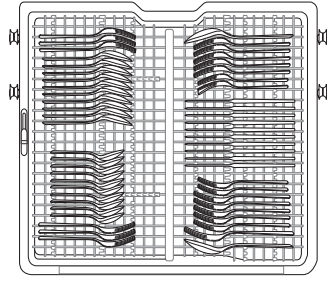
### NOTA

- Para un mejor rendimiento de limpieza, coloque la cubertería en los cestos para cubiertos. Los utensilios más sucios o los elementos con comidas quemadas deben ubicarse en el medio de la bandeja o en el cesto para cucharas para lograr un mejor rendimiento.

## Carga de cubertería en la bandeja para cubiertos

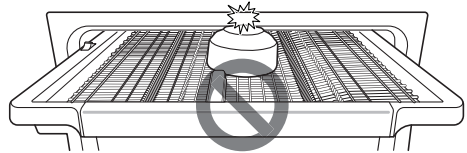
Esta característica solamente está disponible en algunos modelos.

## Carga de 10 posiciones



### ⚠ PRECAUCIÓN

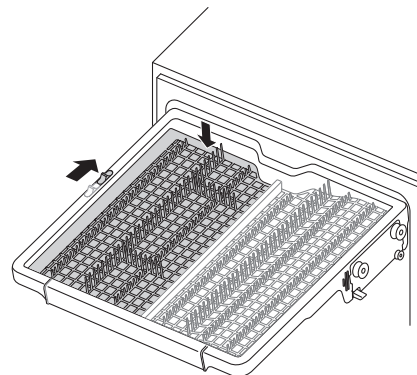
- No coloque recipientes en el centro de la bandeja para cubiertos. Es posible que la puerta no cierre adecuadamente y se produzcan fugas.



## Bandeja de altura ajustable

Esta característica solamente está disponible en algunos modelos.

La bandeja del lado izquierdo puede ajustarse en una posición alta o baja para acomodar utensilios o cubiertos de diferentes tamaños. Retire la vajilla antes de ajustar la bandeja. Ajuste la bandeja deslizando la palanca.

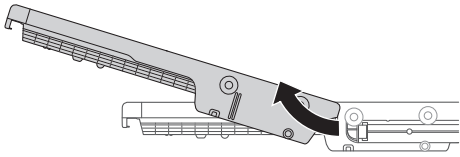


## Extracción de la bandeja para cubiertos

La bandeja para cubiertos puede extraerse por completo en caso de necesitar más espacio en la bandeja superior para objetos más grandes.

Retire siempre la cubertería de la bandeja antes de extraer dicha bandeja.

Tire de la bandeja hacia fuera hasta llegar al extremo de los rieles. Luego, levante la parte frontal de la bandeja para que los rodillos se destraben del extremo del riel. Deslice la bandeja hacia adelante y extráigala de los rieles.

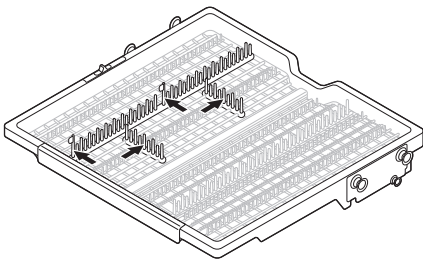


### ⚠ ADVERTENCIA

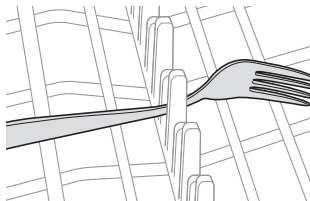
- Tenga cuidado al cargar y descargar objetos con bordes filosos. Cargue los cuchillos filosos con la hoja hacia abajo para disminuir el riesgo de lesiones personales.

## Plegado de las puntas separadoras para cubiertos

Pliegue las puntas para acomodar los cubiertos.



Lleve las puntas hacia atrás para acomodar platos pequeños.



## Agregado de productos de limpieza

### Cómo agregar detergente en el dispensador

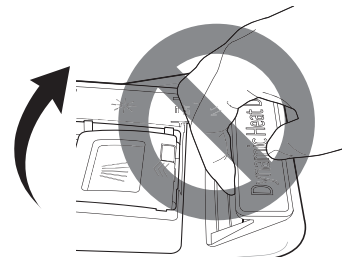
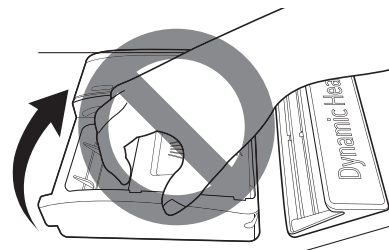
- Retire la etiqueta del dispensador antes de hacer funcionar el lavavajillas por primera vez.
- La cantidad de detergente necesario depende del ciclo, el tamaño de la carga y el nivel de suciedad de la vajilla.
- Coloque el detergente en el compartimiento para detergente antes de iniciar cualquier ciclo, salvo para el ciclo **Rinse (Enjuague) (Download Cycle (Descarga de ciclo): P3)**.

### ⚠ ADVERTENCIA

- El detergente y el abrillantador para lavavajillas contienen componentes químicos, como todos los detergentes de uso doméstico. Por lo tanto, deben mantenerse fuera del alcance de los niños.

### ⚠ PRECAUCIÓN

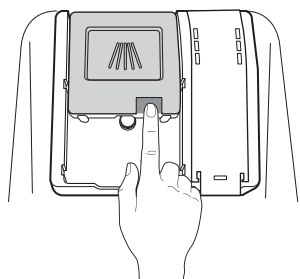
- Solamente utilice detergente especial para lavavajillas. El detergente incorrecto podría hacer que el lavavajillas presente espumación durante el funcionamiento. La espumación excesiva podría reducir el rendimiento de lavado y generar fugas en el lavavajillas.
- Para evitar dañar el dispensador y la cubierta del ventilador no los utilice para levantar y cerrar la puerta del lavavajillas.



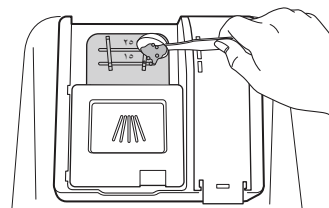
**NOTA**

- Una vez que finalice el programa de lavado, compruebe que el detergente se haya utilizado por completo.
- Algunas pastillas de detergente pueden quedarse atascadas en el dispensador debido a su tamaño excesivo. Las tabletas pueden colocarse sobre la base de la cuba de lavado, junto al filtro, antes de iniciar el ciclo.
- El exceso de detergente puede dejar una película en la vajilla y en el lavavajillas, lo que resulta en un mal lavado.
- Si se utilizan pastillas de detergente sin abrillantador líquido, la vajilla y el interior del lavavajillas tendrán una humedad excesiva. Seleccione la opción **Dry Boost (Refuerzo del secado)** para un mejor resultado del secado.
- El uso de abrillantador líquido mejora el resultado del secado al permitir que el agua se elimine por completo de la vajilla después del enjuague final.
- No use tabletas de detergente para ciclos de lavado más cortos. La tableta podría no disolverse por completo, lo que dejaría residuos en la vajilla y la limpieza sería ineficiente.
- El uso de un impulsor de lavado ayuda a remover manchas, residuos y la película blanca causada por el agua dura. No ayuda a remover el residuo del exceso de detergente.

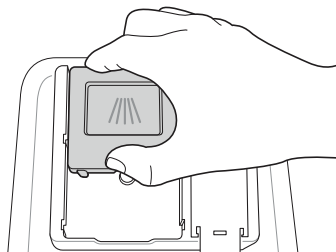
- 1** Presione el botón de la tapa dispensadora para abrir la cubierta.



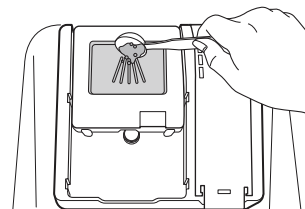
- 2** Agregue detergente para lavavajillas en el compartimiento principal hasta que el nivel se encuentre entre las líneas marcadas en 15 y 25.
  - Llénelo hasta por encima de la línea 25 en caso de agua dura o cargas con suciedad extrema.
  - Llénelo hasta la línea 15 en caso de agua blanda o cargas con poca suciedad.



- 3** Deslice la tapa de detergente para que se cierre hasta que haga clic.



- 4** Si desea efectuar un prelavado, llene con detergente el área del compartimiento de prelavado que hay en la tapa.



**Cómo agregar abrillantador en el dispensador**

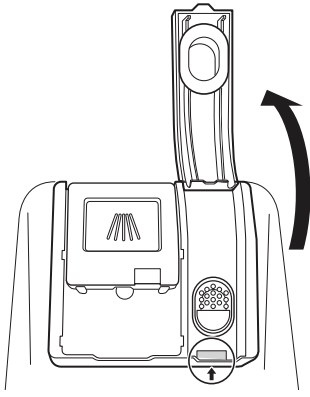
La luz LED de **Rinse Aid Refill (Ayuda en relleno de enjuague)** aparece en la pantalla cuando se necesita más abrillantador.

Se recomienda utilizar abrillantador para evitar que queden marcas de agua en la vajilla y para mejorar el rendimiento del secado.

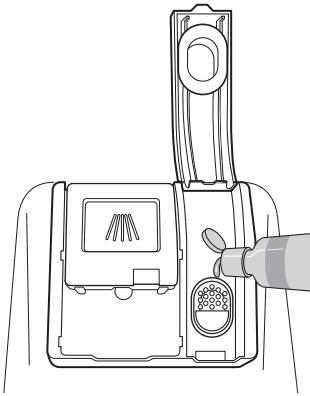
**NOTA**

- Utilice solamente abrillantador líquido en el lavavajillas.
- No llene en exceso el dispensador de abrillantador.
- Limpie el abrillantador que se derrame alrededor del dispensador.

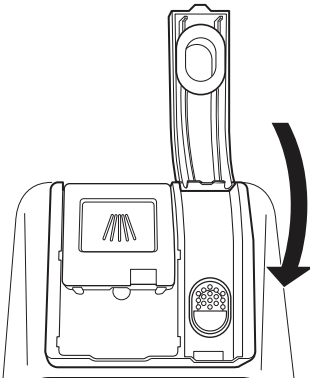
- 1** Abra la tapa del abrillantador levantando la lengüeta.



- 2** Agregue líquido abrillantador hasta el nivel máximo de llenado. Permita que el abrillantador se asiente en el dispensador mientras se llena o pueden formarse burbujas de aire que producirán resultados deficientes de secado. Evite llenar el dispensador en exceso.



- 3** Cierre la tapa para bloquear el dispensador. El abrillantador se dispensa automáticamente durante el ciclo final de enjuague.



## Ajuste del dispensador de abrillantador

El dispensador tiene cinco niveles de ajuste. El lavavajillas se programa en la fábrica para un nivel de dispensador de abrillantador de 2. Esto puede comprobarse o ajustarse desde el panel de control.

### NOTA

- Ajuste la configuración a un nivel más elevado si tiene agua dura o si nota la formación de calcio en su vajilla.
- Ajustar el control del abrillantador a un nivel demasiado bajo producirá manchas y vetas en la vajilla, así como también un bajo rendimiento de secado.
- Ajustar el control a un nivel demasiado elevado puede causar espumación, lo que resultará en un mal lavado.

- 1** Asegúrese de que el artefacto esté apagado.
- 2** Presione los botones **Encendido** y **Remote Start (Inicio a distancia)** simultáneamente para acceder a la **opción modo configuración**.
- 3** Presione **Dry Boost (Refuerzo del secado)** para cambiar el ajuste del dispensador de abrillantador. Cada vez que presione el botón, el nivel se irá modificando, de Nivel 0 (L0) a Nivel 4 (L4).
- 4** Una vez que haya seleccionado el ajuste del dispensador de abrillantador deseado, presione **Start (INICIO)** para guardar.

## Recarga del abrillantador

La frecuencia con la que se debe recargar el dispensador depende de la frecuencia con la que se lave la vajilla y el ajuste de abrillantador utilizado.

- La luz LED de **Rinse Aid Refill (Ayuda en relleno de enjuague)** parpadea cuando se necesita más abrillantador, a menos que el ajuste del dispensador de abrillantador esté configurado en L0.

# FUNCIONES INTELIGENTES

## Aplicación LG ThinQ

La aplicación **LG ThinQ** le permite comunicarse con el electrodoméstico usando un teléfono inteligente.

### Funciones de la aplicación LG ThinQ

- **Monitorización**

- Compruebe el estado, el ciclo, las opciones, el tiempo de operación y el tiempo de finalización del ciclo del aparato en una sola pantalla.

- **Download Cycle (Descarga de ciclo)**

- Puede descargar ciclos nuevos y especiales que no se encuentren incluidos en los ciclos estándar del artefacto. Conecte el artefacto en la aplicación para descargar una variedad de ciclos especiales específicos. Una vez que se completa la descarga de un ciclo en el artefacto, el producto mantiene el ciclo descargado hasta que se descarga un nuevo ciclo.

### NOTA

- Solo se puede guardar un ciclo descargado a la vez en el electrodoméstico.
- El ciclo **Machine Clean (Limpieza de la máquina)** (P1) es el ciclo descargado predeterminado.

- **Asistente de limpieza de la máquina**

- Esta función muestra la cantidad de ciclos restantes antes de ejecutar el ciclo **Machine Clean (Limpieza de la máquina) (Download Cycle (Descarga de ciclo): P1)**.

- **Smart Diagnosis**

- Esta función brinda información útil para diagnosticar y resolver problemas con el producto conforme a su patrón de uso.

- **Configuración**

- Ajuste el nivel de dispensador de abrillantador, el recordatorio de limpieza de la máquina, el señal de nivel y la luz indicadora de limpieza. Tiene la opción de recibir notificaciones automáticas en su teléfono inteligente cuando haya finalizado el ciclo o cuando el artefacto presente problemas.

- **Enviar alertas**

- Active **Enviar alertas** para recibir notificaciones del estado del electrodoméstico.

Las notificaciones se enviarán aunque la aplicación **LG ThinQ** esté desactivada.

- **Monitorización de energía**

- Puede utilizar la función de monitorización de energía para controlar el uso de electricidad previsto.

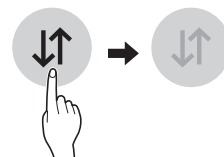
### NOTA

- Si cambia de enrutador inalámbrico, proveedor de Internet o contraseña, borre el artefacto conectado de la aplicación **LG ThinQ** y proceda a conectarlo de nuevo.
- Esta información está actualizada en el momento de su publicación. La aplicación está sujeta a cambios, con fines de mejorar el producto, sin previo aviso a los usuarios.

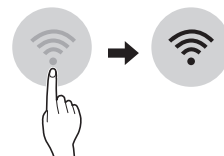
## Antes de usar la aplicación LG ThinQ

- 1 Compruebe la distancia entre el aparato y el enrutador inalámbrico (red de Wi-Fi).
  - Si el electrodoméstico está muy lejos del enrutador, la señal será débil. Puede que le tome más tiempo conectarse o que falle la instalación.

- 2 Desactive los **Datos Móviles** o **Datos Celulares** en su teléfono inteligente.



- 3 Conecte su teléfono inteligente al enrutador inalámbrico.



### NOTA

- Para verificar la conexión Wi-Fi, verifique que la luz LED de conexión **Wi-Fi** que se encuentra en el panel de control esté encendido.

**NOTA**

- El electrodoméstico funciona únicamente con redes Wi-Fi de 2.4 GHz. Contacte a su proveedor de servicios de internet o verifique el manual del enrutador inalámbrico para revisar la frecuencia de su red.
- **LG ThinQ** no es responsable por ningún problema de conexión en red, falla, mal funcionamiento o error causado por la conexión de red.
- Si el aparato tiene problemas para conectarse a la red Wi-Fi, es posible que se encuentre demasiado lejos del router. Adquiera un repetidor Wi-Fi (extensor de alcance) para mejorar la intensidad de la señal Wi-Fi.
- Es posible que la conexión Wi-Fi no se conecte o se interrumpa debido al entorno de la red doméstica.
- Es posible que la conexión de red no funcione bien por cuestiones relacionadas con su proveedor de servicios de Internet.
- El entorno inalámbrico circundante puede hacer que el servicio de red inalámbrica funcione lentamente.
- Si el aparato no puede conectarse debido a problemas con la transmisión de la señal inalámbrica, desconéctelo y espere alrededor de un minuto previo a intentarlo de nuevo.
- Si el cortafuegos de su enrutador inalámbrico está activado, desactívelo o añada una excepción a éste.
- El nombre de la red inalámbrica (SSID) debe ser una combinación de letras y números. (No utilice símbolos especiales)
- Puede que la interfaz del usuario del teléfono inteligente (UI) varíe dependiendo del sistema operativo del móvil (os) y del fabricante.
- Puede que la configuración de red falle si el protocolo de seguridad del enrutador está en **WEP**. Cambie el protocolo de seguridad por otro (se recomienda el **WPA2**) y conecte el producto de nuevo.

## Instalación de la aplicación LG ThinQ

Busque la aplicación **LG ThinQ** en la tienda Google Play o App Store desde su teléfono inteligente. Siga las instrucciones para descargar e instalar la aplicación.

## Uso del artefacto a distancia

### Remote Start (Inicio a distancia)

Use un teléfono inteligente para controlar el electrodoméstico de forma remota o para verificar cuánto tiempo le falta al ciclo.

### Uso de Remote Start (Inicio a distancia)

- 1 Cargue la vajilla en el lavavajillas.
- 2 Presione el botón de **Encendido**.
- 3 Asegúrese de que la red de Wi-Fi esté conectada.
- 4 Presione el botón **Remote Start (Inicio a distancia)** y cierre la puerta del lavavajillas para activar la función **Remote Start (Inicio a distancia)**.
- 5 Inicie un ciclo desde la aplicación **LG ThinQ** de su teléfono inteligente.

**NOTA**

- Una vez que se activa el modo **Remote Start (Inicio a distancia)**, puede empezar el ciclo desde la aplicación **LG ThinQ**, pero el ciclo y los botones de opciones se desactivarán. Para activar los botones, desactive el **Remote Start (Inicio a distancia)**.
- La puerta debe estar cerrada para activar el modo **Remote Start (Inicio a distancia)**.

### Desactivación de Remote Start (Inicio a distancia)

Mientras la función **Remote Start (Inicio a distancia)** se encuentra activada, abra la puerta del lavavajillas o presione el botón **Remote Start (Inicio a distancia)** con la puerta cerrada.

## Especificaciones del equipo de radio

Tipo	Frecuencia Rango	Salida Power (Encendido)
Wi-Fi	2412 MHz - 2462 MHz	< 30 dBm
Bluetooth	2402 MHz - 2480 MHz	

## Aviso de la FCC

El siguiente aviso abarca el módulo del transmisor que contiene este producto.

Este equipo fue probado y se determinó que cumple con los límites para los dispositivos digitales de Clase B, en conformidad con la parte 15 de las normas de la FCC. Estos límites están diseñados para ofrecer una protección razonable contra interferencias dañinas en una instalación residencial. Este equipo genera, usa y puede emitir energía de radiofrecuencia y, si no se instala y utiliza de acuerdo con las instrucciones, podría causar interferencias dañinas a las comunicaciones por radio. Sin embargo, no se garantiza que dicha interferencia no pueda ocurrir en instalaciones particulares. Si este equipo causa interferencia dañina a la recepción de radio o televisión, que se puede determinar encendiendo y apagando el equipo, se aconseja al usuario intentar corregir la interferencia realizando alguna de las siguientes acciones:

- Reorientar o reubicar la antena receptora.
- Aumentar la separación entre el equipo y el receptor.
- Conectar el equipo a una toma de corriente en un circuito diferente del utilizado por el receptor.
- Consultar al vendedor o a un técnico de radio/TV con experiencia para solicitar ayuda.

El dispositivo cumple con la parte 15 de las Reglas FCC. La operación está sujeta a las siguientes dos condiciones:

- (1) Este dispositivo no debe causar interferencia dañina, y
- (2) Este dispositivo debe aceptar cualquier interferencia recibida, incluso aquellas que pudieran causar un funcionamiento no deseado del dispositivo.

Cualquier cambio o modificación en la construcción de este dispositivo, que no cuente con la aprobación expresa de la parte responsable del cumplimiento, puede anular la autorización del usuario para operarlo.

## Declaración sobre exposición a la radiación de RF de la FCC

Este equipo cumple con los límites de exposición a la radiación de la FCC establecidos para entornos no controlados. Este transmisor no se debe ubicar ni operar junto con ninguna otra antena ni transmisor.

El equipo se debe instalar y operar con una distancia mínima de 20 cm (7.8 pulg.) entre la antena y su cuerpo. Los usuarios deben seguir las

instrucciones de operación específicas de manera tal de cumplir con las normas de exposición a la RF.

## Declaración de Industry Canada

Este dispositivo contiene transmisores/receptores exentos de licencia que cumplen con las RSS de innovación, ciencia y desarrollo económico exentas de licencia de Canadá. Su funcionamiento queda sujeto a las siguientes condiciones:

- (1) Este dispositivo no debe causar interferencia.
- (2) Este dispositivo debe aceptar cualquier interferencia recibida, incluyendo interferencia que puede causar el funcionamiento no deseado del dispositivo.

## Declaración sobre Exposición a Radiación de la IC

Este equipo cumple con los límites de exposición a la radiación de la IC establecidos para entornos no controlados.

Este equipo debe ser instalado y operado con una distancia mínima de 20 cm (7.8 pulg.) entre la antena y su cuerpo.

### NOTA

- EL FABRICANTE NO SE HACE RESPONSABLE DE CUALQUIER INTERFERENCIA DE TV O RADIO CAUSADA POR MODIFICACIONES NO AUTORIZADAS A ESTE EQUIPO. TALES MODIFICACIONES PODRÍAN ANULAR LA AUTORIDAD DEL USUARIO PARA PONER EL EQUIPO EN FUNCIONAMIENTO.

## Software de código abierto

Para obtener el código fuente bajo GPL, LGPL, MPL y otras licencias de código abierto con las obligaciones para divulgar el código abierto, que contiene este producto, y para acceder a todos los términos de la licencia, avisos de derechos de autor y otros documentos relevantes, visite <https://opensource.lge.com>.

LG Electronics también le proporcionará el código abierto en un CD-ROM por un costo que cubra los gastos de dicha distribución (como el costo del medio, del envío y de la manipulación) una vez realizado el pedido por correo electrónico a la dirección [opensource@lge.com](mailto:opensource@lge.com).

Esta oferta es válida para todo aquel que reciba esta información durante un período de tres años

después de que se envíe el último cargamento de este producto.

## Función Smart Diagnosis™ (Diagnóstico Inteligente)

Utilice esta función como ayuda para diagnosticar y resolver problemas con su electrodoméstico.

### NOTA

- Por motivos no atribuibles a la negligencia de LGE, es posible que el servicio no pueda funcionar debido a factores externos como por ejemplo, la indisponibilidad de Wi-Fi, desconexión de Wi-Fi, política de la tienda de aplicaciones local o indisponibilidad de aplicaciones, entre otros.
- Esta función puede estar sujeta a cambios sin previo aviso y puede tener una forma diferente según dónde se encuentre ubicado.

### Uso de LG ThinQ para diagnosticar problemas

Si experimenta un problema con su electrodoméstico equipado con Wi-Fi, este puede transmitir datos sobre la resolución de problemas a un teléfono inteligente con la aplicación **LG ThinQ**.

- Inicie la aplicación **LG ThinQ** y seleccione la función **Smart Diagnosis™** en el menú. Siga las instrucciones provistas en la aplicación **LG ThinQ**.


### Uso del diagnóstico audible para diagnosticar problemas

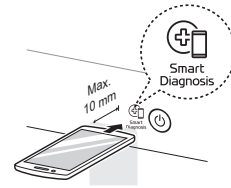
Siga las instrucciones a continuación para utilizar el método de diagnóstico audible.

- Inicie la aplicación **LG ThinQ** y seleccione la función **Smart Diagnosis** en el menú. Siga las instrucciones para el diagnóstico audible provistas en la aplicación **LG ThinQ**.

**1** Presione el botón **Encendido** para encender el electrodoméstico.

- No presione ningún otro botón.

**2** Coloque el micrófono de su teléfono inteligente cerca del logo .



**3** Mantenga presionado el botón **Download Cycle (Descarga de ciclo)** por 3 segundos o más mientras sostiene el micrófono del teléfono inteligente en el logo hasta que se complete la transferencia de datos.

- Mantenga el teléfono inteligente en su lugar hasta que finalice la transferencia de datos. Se mostrará el tiempo restante para la transferencia de datos.

**4** Después de que se complete la transferencia de datos, el diagnóstico se mostrará en la aplicación.

### NOTA

- Para obtener resultados óptimos, no mueva el teléfono inteligente mientras se transmitan los tonos.

# MANTENIMIENTO

Para mantener el rendimiento y evitar problemas, es importante verificar el exterior y el interior del lavavajillas, incluidos los filtros y los brazos rociadores, a intervalos regulares.

## ⚠ ADVERTENCIA

- Cuando limpie el exterior y el interior del lavavajillas, no utilice benceno ni solvente. De lo contrario, podría ocasionar un incendio o una explosión.
- Para evitar lesiones físicas durante el cuidado y el mantenimiento o limpieza, use guantes y/o prendas protectoras.

## Limpieza y cuidado

### Limpieza del exterior

- No utilice escobillas ni limpiadores abrasivos para limpiar el exterior del lavavajillas.
- La mayor parte de la suciedad se puede retirar con un paño húmedo suave o una esponja. Se puede usar un jabón suave para ayudar a desprender la suciedad difícil. Enjuague y seque con un paño suave después de la limpieza.
- Las superficies de acero inoxidable se pueden pulir con un limpiador de acero inoxidable. Siga las instrucciones del limpiador y limpie en la dirección de la veta.

## ⚠ PRECAUCIÓN

- En caso de derramar aceite de cocina en el exterior del producto, límpielo de inmediato. No limpie el exterior del producto con productos de limpieza que contengan alcohol, diluyentes, blanqueadores, benceno, líquidos inflamables o abrasivos. Estas sustancias pueden decolorar o dañar el electrodoméstico.

### Limpieza del interior

- Limpie el interior del lavavajillas periódicamente con un trapo o una esponja suaves y humedecidos para eliminar las partículas de alimentos y suciedad.
- Para eliminar manchas blancas y olores del interior del lavavajillas, ejecute un ciclo con la máquina vacía, sin detergente, colocando la cantidad correspondiente a una taza de vinagre blanco en un recipiente apto para lavavajillas en el estante superior. (El vinagre es un ácido y su uso constante podría dañar el artefacto).

### • Uso de **Machine Clean (Limpieza de la máquina)**

- Ejecute el ciclo de limpieza de la máquina **Machine Clean (Limpieza de la máquina) (Download Cycle (Descarga de ciclo): P1)** una vez al mes o después de cada 30 ciclos para eliminar la suciedad residual, el olor, las manchas blancas y otra suciedad dentro del electrodoméstico. El ciclo **Machine Clean (Limpieza de la máquina) (P1)** es el ciclo predeterminado de **Download Cycle (Descarga de ciclo)**.

- 1** Retire todos los platos del electrodoméstico.
- 2** Agregue 3 cucharadas (40 g) de ácido cítrico al dispensador de detergente o siga las instrucciones del fabricante si usa un agente de limpieza para lavavajillas. No use detergente para lavavajillas.
- 3** Ejecute el ciclo de limpieza de la máquina **Machine Clean (Limpieza de la máquina) (Download Cycle (Descarga de ciclo): P1)**.
- 4** Presione **Start (INICIO)**.

## NOTA

- Ejecute el ciclo de limpieza de la máquina **Machine Clean (Limpieza de la máquina) (Download Cycle (Descarga de ciclo): P1)** una vez por mes o con más frecuencia, si es necesario, para limpiar residuos o acumulación de detergente.

**NOTA**

- Si no ha utilizado el lavavajillas durante mucho tiempo, refresque el interior ejecutando el ciclo **Machine Clean (Limpieza de la máquina) (Download Cycle (Descarga de ciclo): P1)** sin detergente. Cuando el ciclo haya finalizado, limpie el interior y el exterior del lavavajillas siguiendo las instrucciones de la sección **MANTENIMIENTO**.

**Trampa de aire del desagüe o triturador del fregadero obstruidos**

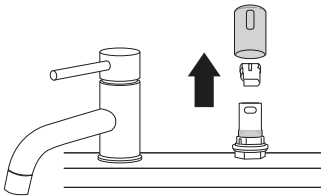
Verifique la trampa de aire del desagüe o el triturador del fregadero si el lavavajillas no desagota correctamente.

**NOTA**

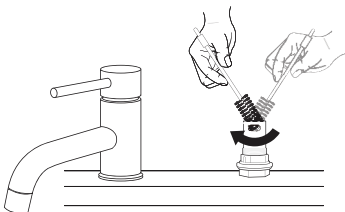
- La trampa de aire del desagüe y el triturador son dispositivos de fontanería externos y no forman parte del lavavajillas.
- La garantía del lavavajillas no cubre los costos de servicio directamente relacionados con la limpieza o la reparación de la trampa de aire de desagüe externa y el triturador.

**Limpieza de la trampa de aire**

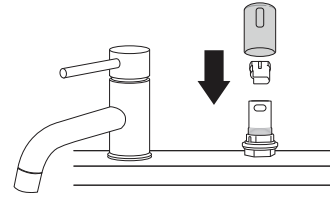
- 1 Apague el lavavajillas.
- 2 Retire la cubierta de la trampa de aire y la tapa plástica que se encuentra debajo.



- 3 Limpie quitando cualquier desecho con un palillo o cepillo.



- 4 Vuelva a colocar la tapa plástica y la cobertura de la trampa de aire.

**Limpieza de los filtros****⚠ ADVERTENCIA**

- Tenga cuidado con los bordes filosos al manipular el filtro de acero inoxidable.

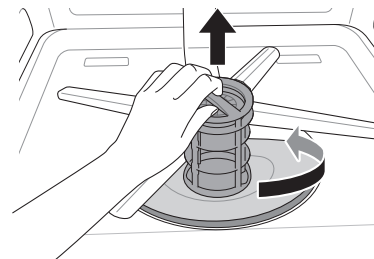
**⚠ PRECAUCIÓN**

- Retire los restos de comida que se encuentren atascados en los filtros para evitar la acumulación de bacterias que generan malos olores así como también posibles problemas en el desagote.

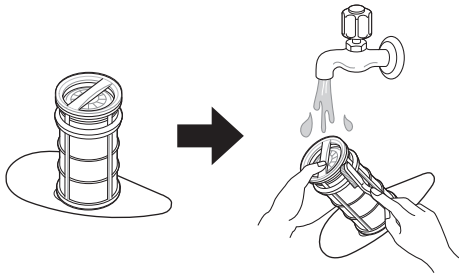
**NOTA**

- Para lograr los mejores resultados de lavado, limpie el filtro después de cada carga. Si el filtro sigue sucio, puede causar olores.
- En áreas donde hay agua dura, limpie el filtro utilizando un cepillo suave una vez al mes, como mínimo.
- Limpie los filtros utilizando materiales no abrasivos y agua corriente tibia.

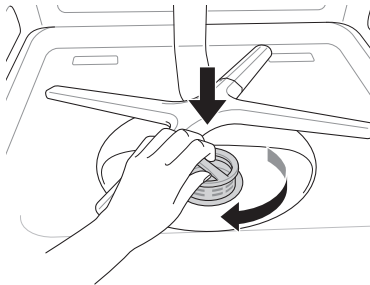
- 1 Retire el estante inferior y coloque brazo rociador del fondo de modo que se abra una V más amplia hacia adelante.
- 2 Gire el filtro interno en sentido contrario a las agujas del reloj y quite el filtro interno ensamblado y el filtro de acero inoxidable. Con los filtros quitados, verifique la apertura del sumidero y elimine cualquier material extraño, si es necesario.



- 3** Limpie los filtros con un cepillo de cerdas suaves bajo el chorro de agua. Ensamble de nuevo los filtros antes de volver a instalarlos.

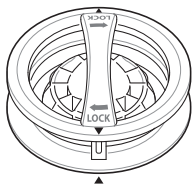


- 4** Para volver a colocar los filtros ensamblados, coloque el brazo rociador de modo que la V más amplia apunte hacia adelante. Encaje los filtros nuevamente en el soporte de filtros y asegúrelos haciendo girar el filtro interior en el sentido de las agujas del reloj hasta que haga clic en su lugar.



**NOTA**

- Asegúrese de que el filtro esté correctamente ensamblado antes de comenzar un ciclo. Cuando ensamble el filtro, rótelo con firmeza hasta que haga clic.



**Programa de limpieza del filtro recomendada**

Cantidad de cargas por semana	Si lava la vajilla antes de cargarla	Si quita los residuos y enjuaga la vajilla antes de cargarla
1 - 3	Cada 6 meses	Una vez por año
4 - 7		
8 - 12		Cada 6 meses
13 - 14		

Cantidad de cargas por semana	Si solo quita los residuos de la vajilla antes de cargarla	Si no quita los residuos y enjuaga la vajilla antes de cargarla
1 - 3	Cuatro veces por año	Una vez por mes
4 - 7		Dos veces por mes (cada 15 días)
8 - 12	Cada 1.5 meses	Todas las semanas
13 - 14		Dos veces por semana

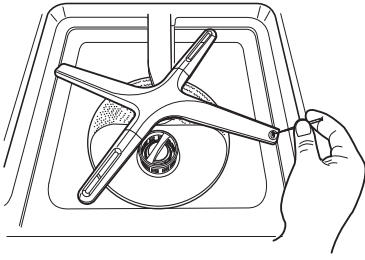
**Limpieza del brazo rociador**

Si los orificios de los brazos rociadores se encuentran bloqueados por algún residuo de comida, es posible que la vajilla no se lave correctamente debido a que el rociado no se efectuará de forma adecuada.

Se recomienda limpiar los brazos rociadores cada dos semanas.

**Limpieza del brazo rociador inferior**

- 1** Asegúrese de que los orificios propulsores de agua no estén obstruidos con partículas de alimentos.
- 2** Si algún residuo de comida bloquea los orificios de los brazos rociadores, elimine la suciedad utilizando un alfiler o alguna herramienta punzante.

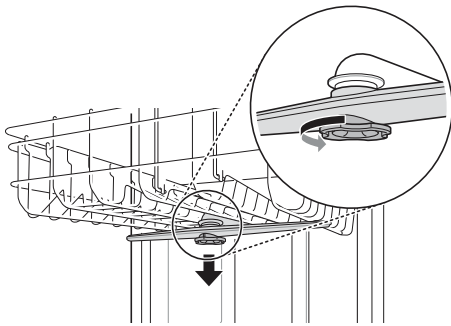


**⚠ PRECAUCIÓN**

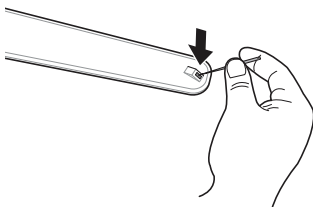
- Para evitar romper las secciones del brazo atomizador rodante, no tire de ellas ni las rote manualmente.

**Limpieza del brazo rociador superior**

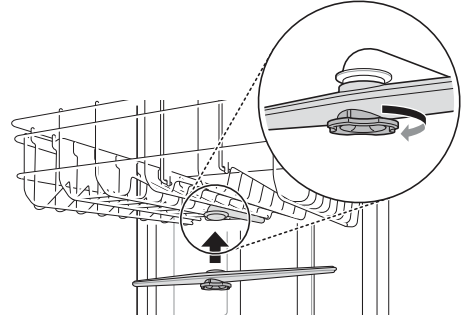
- 1 Tire de la bandeja superior hacia fuera. Asegúrese de que los orificios propulsores de agua no estén obstruidos con partículas de alimentos.
- 2 Cuando sea necesario realizar una limpieza, extraiga el brazo rociador superior girando la tuerca ubicada en la parte inferior del brazo 1/8 de giro en sentido contrario a las agujas del reloj y tire de él hacia abajo.



- 3 Enjuague o sacuda el brazo rociador para quitar las partículas de alimentos.
- 4 Si algún residuo de comida bloquea los orificios de los brazos rociadores, elimine la suciedad utilizando un alfiler o alguna herramienta punzante.



- 5 Cuando haya quitado los residuos de comida, limpie los brazos rociadores bajo el chorro de agua.
- 6 Luego de limpiar el brazo rociador superior, vuelva a colocarlo en su lugar. Gire la tuerca 1/8 de giro en sentido de las agujas del reloj para asegurarse de que la tuerca se bloquee nuevamente en su lugar.



- 7 Luego de ensamblar, asegúrese de que los brazos rociadores giren libremente.

**Mantenimiento estacional y almacenamiento**

- En caso de que vaya a ausentarse por un extenso período de tiempo durante los meses más calurosos, cierre la válvula de agua, desenchufe la línea de alimentación o apague el interruptor de corriente. Limpie el filtro, la cuba y el dosificador para evitar olores.
- En caso de que vaya a ausentarse por un extenso período de tiempo durante los meses más fríos y exista la posibilidad de que haya temperaturas heladas, prepare las líneas de suministro de agua y el mismo lavavajillas para el invierno. La preparación para el invierno debe ser realizada por personal de servicio calificado.

# SOLUCIÓN DE PROBLEMAS

La lavadora está equipada con un sistema automático de detección de errores para detectar y diagnosticar problemas en una etapa temprana. Si la lavadora no funciona correctamente o no funciona en absoluto, compruebe lo siguiente antes de llamar al servicio técnico.

## Antes de llamar al servicio técnico

### Preguntas frecuentes

**P: ¿Es necesario utilizar un abrillantador?**

R: Es muy recomendable utilizar un abrillantador para mejorar el rendimiento del secado del lavavajillas. Si no se usa abrillantador, podría quedar agua en la vajilla y en la cuba. El abrillantador ayuda a garantizar que la mayor parte del agua sea removida de la vajilla al final del enjuague y que la carga esté lista para el ciclo de secado.

**P: ¿Qué puedo hacer si mi vajilla queda con una película turbia o blanca después del lavado?**

R: En general, la película turbia se origina por los minerales del agua que reaccionan con el detergente del lavavajillas. En primer lugar, asegúrese de no utilizar demasiado detergente. Consulte la sección **Cómo agregar detergente en el dispensador** para conocer las cantidades recomendadas de detergente. Agregue un enjuague extra al ciclo. Los lavavajillas LG utilizan menos agua que los lavavajillas tradicionales; por lo tanto, agregue un enjuague extra ayuda a quitar la película. Si el agua de suministro es dura, podría necesitarse un impulsor de rendimiento que trate la condición de agua dura.

**P: ¿Cómo puedo quitar la película blanca del tambor?**

R: Mida 3 cucharadas (40 g) de polvo de ácido cítrico y utilícelo para llenar el compartimento principal del detergente. Ejecute un ciclo **Machine Clean (Limpieza de la máquina) (Download Cycle (Descarga de ciclo): P1)**. No utilice detergente.

**P: ¿Qué pasos debo seguir para mejorar los resultados de secado?**

R: El rendimiento del secado se ve directamente afectado por la cantidad de calor que permanece en la cuba después de que se ejecuta el enjuague caliente. Si su lavavajillas se encuentra alejado del calentador de agua de su casa, podría ser necesario abrir la llave de agua caliente del fregadero antes de iniciar el ciclo de lavado para asegurarse de que se purgue el agua fría de las líneas de agua caliente. Esto garantizará que su lavavajillas tenga un suministro consistente de agua caliente desde el comienzo hasta el final. La utilización del ajuste de **High Temp. (Alta temperatura)** también ayuda a mantener la temperatura del tambor interno y la vajilla más caliente antes de que se inicie el secado.

Los lavavajillas LG están diseñados para ser utilizados con abrillantador. El abrillantador maximiza la cantidad de agua que se elimina de la vajilla antes de que comience el ciclo de secado. Si se utiliza un abrillantador y el rendimiento aún necesita ser mejorado, ajuste la cantidad de abrillantador utilizada. Dos (2) es el ajuste predeterminado, pero, de ser necesario, fíjelo el nivel en 3 para que se utilice más cantidad de abrillantador.

El agua tiende a formar gotitas en vez de extenderse en las superficies de plástico y antiadherentes, lo cual hace que estas superficies sean más difíciles de secar. Si lava artículos de plástico en el ciclo Normal, seleccione la opción **Dry Boost (Refuerzo del secado)**, **Night Dry (Secado nocturno)** o ambas para mejores resultados de secado. Si no hay abrillantador, la opción **Dry Boost (Refuerzo del secado)** se selecciona automáticamente (excepto en el ciclo **Normal, 1 Hour (1 hora)**).

Permita que el lavavajillas finalice por completo el ciclo de secado antes de abrir la puerta. Si la puerta se abre en el medio de un ciclo de secado, el calor necesario para el funcionamiento del sistema de secado híbrido se fugará. Esto provocará que toda la vajilla que se encuentra en el interior del lavavajillas permanezca húmeda cuando termine el ciclo.

**P: ¿Qué es el sistema de secado híbrido?**

- R: El lavavajillas no utiliza un elemento de calentamiento para el proceso de secado, sino que el calor es retenido por la vajilla y el compartimiento durante los ciclos de lavado y enjuague para luego convertir el agua que se produce en la cuba en humedad. El aire caliente y húmedo del lavavajillas se introduce en un conducto de condensación ubicado en la puerta por medio de un ventilador. Luego, el aire se enfría y hace que la humedad se condense. El aire a temperatura ambiente también se introduce en el conducto para ayudar a enfriar el aire más rápido. Cuando la humedad se condensa en líquido, es desagotada.

### NOTA

- Se requiere abrillantador para mejorar el rendimiento de secado. Si no se usa abrillantador, podría quedar agua en la vajilla y en la cuba.

**P: ¿Por qué se escucha un silbido?**

- R: Es importante determinar cuánto tiempo dura el ruido y cuándo aparece (en qué parte del ciclo). Cuando ingresa el agua al lavavajillas, puede escucharse un silbido. Esto es normal. Cuando la presión de agua es demasiado elevada, el sonido será más intenso; por lo cual, podría resultar necesario ajustar la válvula de agua para disminuir la presión si el sonido es demasiado fuerte.

**P: ¿Qué tipo de vajilla puede colocarse en el lavavajillas?**

- R: Asegúrese que la vajilla que coloque en el artefacto sea apta para lavavajillas. La vajilla plástica no se seca de manera tan efectiva como la vajilla de cristal o de metal. Los objetos plásticos no retienen tanto el calor como la vajilla de cristal o de metal. Las tazas y la vajilla de plástico podrían necesitar ser secadas a mano antes de guardarlas al finalizar el ciclo.

**P: ¿Puedo ejecutar solamente un ciclo de secado?**

- R: Para desagotar el agua estancada, mantenga presionado el botón **Start (INICIO)** durante tres segundos hasta que el ciclo se detenga. Después de que se termina de desagotar el lavavajillas, se apaga la electricidad.

**P: ¿Por qué mi lavavajillas emite un pitido continuo si abro la puerta durante o justo después de finalizado un ciclo?**

- R: Esto es normal. El lavavajillas le informa que las temperaturas interiores de la unidad son altas y que debe tener cuidado cuando introduzca las manos en el interior. Cuando la unidad se enfría, el pitido se detiene.

**P: ¿Qué es el Control Lock (Bloqueo de control) y cómo se activa?**

- R: El **Control Lock (Bloqueo de control)** es una función que evita que se cambien los controles durante el ciclo. No evita que se abra la puerta ni que se apague la unidad. Para activar o desactivar, mantenga presionados **Night Dry (Secado nocturno)** y **Delay Start (Inicio retardado)** en simultáneo durante tres segundos.

**P: ¿Puedo agregar una extensión a la manguera de desagüe?**

- R: Si es necesario utilizar una extensión en la manguera de desagüe, use una manguera de diámetro interior de 5/8" o 7/8" y de 2 a 3 pies de longitud y un acople para conectar los dos extremos.

**P: Una luz LED está parpadeando, la máquina está emitiendo un pitido y el lavavajillas no inicia el lavado. ¿Qué le ocurre al lavavajillas?**

- R: Esta es una función de seguridad. La puerta se debe cerrar dentro de los cuatro segundos de haberse presionado el botón **Start (INICIO)**. Si la puerta no se cierra a los cuatro segundos, parpadea una luz LED, suena una alarma y el lavavajillas no funciona. Para que el lavavajillas comience a funcionar, abra la puerta y luego ciérrela y presione **Start (INICIO)** (controles frontales) o presione **Start (INICIO)** y cierre la puerta antes de que transcurran cuatro segundos (controles superiores).

**P: ¿Debo enjuagar la vajilla antes de cargarla?**

- R: No, no necesita enjuagar la vajilla antes de cargarla, en especial si utiliza los ciclos **Normal** y **Auto (Automático)**. El lavavajillas deja sus platos limpios sin necesidad de un enjuague previo.

## Videos de soporte para el usuario

Si necesita más ayuda, puede encontrar videos y tutoriales en el sitio web LG.com.

- 1 En la página principal de **www.lg.com**, haga clic en la pestaña **Soporte** del menú para mostrar las selecciones del menú. Seleccione **Video Tutorials**.
- 2 Selecciona una categoría de producto y luego elija un tema o busque una palabra clave.

### NOTA

- Escanee este código QR para acceder rápidamente a la página búsqueda de video en el sitio web de LG.



## Mensajes de error

Problemas	Causas posibles y solución
I E	<p><b>Hay un problema en la entrada de agua.</b></p> <ul style="list-style-type: none"> <li>• Controle que la manguera del agua no esté obstruida, plegada o congelada.</li> <li>• Controle el suministro de agua.</li> </ul>
DE	<p><b>Hay un problema en el desagüe.</b></p> <ul style="list-style-type: none"> <li>• Controle que la manguera de desagüe de agua no esté obstruida, plegada o congelada.</li> </ul>
	<p><b>La trampa de aire o el triturador están obstruidos.</b></p> <ul style="list-style-type: none"> <li>• Limpie la trampa de aire o el triturador.</li> </ul>
	<p><b>Los filtros están obstruidos.</b></p> <ul style="list-style-type: none"> <li>• Limpie los filtros.</li> </ul>
bE	<p><b>Exceso de espuma causada por el uso de un detergente inadecuado, como jabón líquido para vajilla.</b></p> <ul style="list-style-type: none"> <li>• No utilice detergente para lavar vajillas a mano. Utilice solo detergentes diseñados para su uso en lavavajillas automáticos.</li> <li>• Un error bE puede aparecer si se cargan platos sucios con muchos alimentos espumosos, como cremabatida, en el aparato. Para borrar el error, apague el aparato y comience un nuevo ciclo.</li> <li>• Para remover el residuo de detergente en la bañera, vierta aproximadamente 4 oz ~ 8 oz (100 ml ~ 200 ml) de leche en un recipiente poco profundo, colóquelo en el estante superior y ejecute el ciclo <b>Auto (Automático)</b> en el electrodoméstico.</li> </ul>
	<p><b>fallo al nivelar el lavaplatos.</b></p> <ul style="list-style-type: none"> <li>• Asegúrese de que el electrodoméstico haya sido nivelado apropiadamente.</li> </ul>
AE	<p><b>Pérdida de agua.</b></p> <ul style="list-style-type: none"> <li>• Corte el suministro de agua al lavavajillas y comuníquese con un Centro de Información al Cliente de LG llamando al 1-800-243-0000 (EE. UU.) o al 1-888-542-2623 (Canadá).</li> <li>• El lavavajillas emite un sonido de alerta durante 10 segundos y la bomba de desagüe funciona de manera intermitente. Si se apaga el artefacto, este vuelve a encenderse automáticamente hasta que se resuelve el error AE.</li> </ul>

Problemas	Causas posibles y solución
FE	<b>Excesiva cantidad de agua.</b> <ul style="list-style-type: none"> <li>Comuníquese con un centro de información al cliente de LG Electronics llamando al: 1-800-243-0000 (EE. UU.) 1-888-542-2623 (Canadá).</li> </ul>
HE	<b>Fallas en el circuito de calentamiento.</b> <ul style="list-style-type: none"> <li>Comuníquese con un centro de información al cliente de LG Electronics llamando al: 1-800-243-0000 (EE. UU.) 1-888-542-2623 (Canadá).</li> </ul>
EE	<b>Problema con el sensor de temperatura del agua</b> <ul style="list-style-type: none"> <li>Comuníquese con un centro de información al cliente de LG Electronics llamando al: 1-800-243-0000 (EE. UU.) 1-888-542-2623 (Canadá).</li> </ul>
F35	<b>Problema con el sensor de temperatura de aire caliente</b> <ul style="list-style-type: none"> <li>Comuníquese con un centro de información al cliente de LG Electronics llamando al: 1-800-243-0000 (EE. UU.) 1-888-542-2623 (Canadá).</li> </ul>
LE	<b>Problema con el motor de lavado</b> <ul style="list-style-type: none"> <li>Comuníquese con un centro de información al cliente de LG Electronics llamando al: 1-800-243-0000 (EE. UU.) 1-888-542-2623 (Canadá).</li> </ul>
F31	<b>Problema con el motor del ventilador de aire caliente</b> <ul style="list-style-type: none"> <li>Comuníquese con un centro de información al cliente de LG Electronics llamando al: 1-800-243-0000 (EE. UU.) 1-888-542-2623 (Canadá).</li> </ul>
nE	<b>Problema con el motor Vario.</b> <ul style="list-style-type: none"> <li>Comuníquese con un centro de información al cliente de LG Electronics llamando al: 1-800-243-0000 (EE. UU.) 1-888-542-2623 (Canadá).</li> </ul>
P1, P2, P3, P4, P5, P6, P7	<b>Se seleccionó Download Cycle (Descarga de ciclo).</b> <ul style="list-style-type: none"> <li>Este no es un código de error. Este código indica el ciclo <b>Download Cycle (Descarga de ciclo)</b> en curso.</li> </ul>
n:#, U:#, d:#, t:# (# es un número).	<b>Modo prueba seleccionado.</b> <ul style="list-style-type: none"> <li>Éste no es un código de error. Este código se utiliza al probar el lavavajillas. Apague y encienda la unidad y el código desaparecerá.</li> </ul>
L0, L1, L2, L3, L4	<b>El modo configuración Nivel de Asistencia de Enjuague se encuentra seleccionado.</b> <ul style="list-style-type: none"> <li>Este no es un código de error. Este código indica el nivel de asistencia de enjuague actual. Para obtener más información, consulte la sección <b>Adding Cleaning Agents</b> (Agregado de agentes de limpieza).</li> </ul>
CL	<b>Control Lock (Bloqueo de control) está activado.</b> <ul style="list-style-type: none"> <li>Éste no es un código de error. Este código indica que el bloqueo infantil está activado. Mantenga presionados <b>Night Dry (Secado nocturno)</b> y <b>Delay Start (Inicio retardado)</b> simultáneamente por tres segundos.</li> </ul>

## FUNCIONAMIENTO

Problemas	Causas posibles y solución
El lavavajillas no funciona.	<b>No se presionó el botón Start (INICIO).</b> <ul style="list-style-type: none"> <li>Presione el botón de <b>Start (INICIO)</b>.</li> </ul>
	<b>La puerta no está bien cerrada.</b> <ul style="list-style-type: none"> <li>Asegúrese de que la puerta esté bien cerrada y trabada.</li> </ul>
	<b>El suministro de energía o la línea de alimentación no están conectados.</b> <ul style="list-style-type: none"> <li>Conecte el suministro de energía o la línea de alimentación adecuadamente.</li> </ul>

Problemas	Causas posibles y solución
El lavavajillas no funciona.	<p><b>El fusible está quemado o el interruptor de corriente está desactivado.</b></p> <ul style="list-style-type: none"> <li>• Reemplace el fusible o restablezca el interruptor de corriente.</li> </ul> <p><b>Control Lock (Bloqueo de control) está activado.</b></p> <ul style="list-style-type: none"> <li>• Desactivar <b>Control Lock (Bloqueo de control)</b>.</li> </ul>
El lavavajillas funciona por demasiado tiempo.	<p><b>El lavavajillas está conectado al agua fría.</b></p> <ul style="list-style-type: none"> <li>• Controle la conexión del suministro de agua o el ajuste de calentamiento del agua. (Calentar el agua fría lleva más tiempo).</li> </ul>
El agua permanece en el compartimiento luego de que el ciclo se completa.	<p><b>La manguera de desagüe está plegada u obstruida.</b></p> <ul style="list-style-type: none"> <li>• Ajuste la manguera o elimine el bloqueo.</li> </ul>
Ruido.	<p><b>Algunos ruidos son normales durante el funcionamiento.</b></p> <ul style="list-style-type: none"> <li>• Abra la cubierta de detergente.</li> <li>• Desagote la bomba al inicio del ciclo de desagüe.</li> </ul>
	<p><b>El lavavajillas no se encuentra a nivel.</b></p> <ul style="list-style-type: none"> <li>• Ajuste las patas de nivelación.</li> </ul>
	<p><b>El brazo de la boquilla golpea contra la vajilla.</b></p> <ul style="list-style-type: none"> <li>• Reposicione la vajilla.</li> </ul>
Las luces no se encienden.	<p><b>La electricidad está desconectada.</b></p> <ul style="list-style-type: none"> <li>• Conecte el suministro de energía.</li> </ul>
Los brazos rociadores no rotan normalmente.	<p><b>Los orificios de los brazos rociadores están bloqueados con partículas de comida.</b></p> <ul style="list-style-type: none"> <li>• Limpie los orificios de los brazos rociadores.</li> </ul>
La bandeja superior está torcida.	<p><b>La bandeja está mal ajustada.</b></p> <ul style="list-style-type: none"> <li>• Consulte la sección <b>Height Adjustable Upper Rack</b> (Bandeja superior con altura ajustable).</li> </ul>
El lavavajillas emite un pitido constante cuando la puerta está abierta, durante o justo luego de que finaliza un ciclo.	<p><b>Se trata de una medida de seguridad. El contacto con el vapor que surge del interior o con contenidos del lavavajillas que se hallan a altas temperaturas puede provocar lesiones.</b></p> <ul style="list-style-type: none"> <li>• Cierre la puerta hasta que el lavavajillas y la vajilla se enfríen. El pitido finalizará si se cierra la puerta o cuando disminuya la temperatura interior.</li> </ul>
La puerta no se cierra totalmente. (En modelos con bandeja para cubiertos)	<p><b>La bandeja para cubiertos no está cargada de manera adecuada.</b></p> <ul style="list-style-type: none"> <li>• Presione la manija de la puerta para que esta se cierre correctamente hasta que haga clic.</li> </ul>
El lavavajillas emite un pitido si se toca el panel mientras está operando.	<p><b>Si se choca o toca el panel de control cuando el artefacto está en funcionamiento, puede producirse un sonido de botón desactivado. Solo los botones Encendido, Start (INICIO), Control Lock (Bloqueo de control) y Remote Start (Inicio a distancia) están activados durante el funcionamiento para evitar que los ajustes de ciclo se cambien accidentalmente.</b></p> <ul style="list-style-type: none"> <li>• Los sonidos de los botones pueden desactivarse con la <b>opción modo configuración</b>. Consulte el tema <b>Uso de la opción modo configuración</b>.</li> <li>• Los sonidos de fin de ciclo y de alertas se seguirán emitiendo.</li> </ul>
El lavavajillas no finalizó el ciclo.	<p><b>La puerta se abrió durante el ciclo.</b></p> <ul style="list-style-type: none"> <li>• Si la puerta se abre durante un ciclo, debe presionarse el botón Start antes de que transcurran 4 minutos o la máquina se apaga y se pierden todos los ajustes.</li> </ul>

Problemas	Causas posibles y solución
Hay pérdidas en la parte frontal del aparato	<b>El lavavajillas no está correctamente nivelado.</b> <ul style="list-style-type: none"> <li>• Verifique que el aparato esté correctamente nivelado de lado a lado y de adelante hacia atrás. Consulte las instrucciones para la nivelación en la sección Instalación.</li> </ul>
	<b>Detergente incorrecto.</b> <ul style="list-style-type: none"> <li>• Si el espumado excesivo causa la fuga, deje que la espuma se asiente durante 24 horas y luego limpie el interior del tambor con leche.</li> </ul>

## Desempeño

Problemas	Causas posibles y solución
Olor.	<b>El ciclo anterior se ha parado antes de su finalización y quedaron residuos de agua en el lavavajillas.</b> <ul style="list-style-type: none"> <li>• Encienda el aparato, ejecute la opción <b>Cancel (Cancelar)</b> ciclo para eliminar el agua residual y efectúe un ciclo <b>1 Hour (1 hora)</b> con detergente, pero con el lavavajillas vacío.</li> </ul>
	<b>Hay alimentos en el fondo del aparato o en el filtro.</b> <ul style="list-style-type: none"> <li>• Limpie el filtro y el interior según la sección <b>Mantenimiento</b> del manual del propietario.</li> </ul>
	<b>Se deja vajilla sin lavar mucho tiempo en el aparato.</b> <ul style="list-style-type: none"> <li>• Ejecute un ciclo con una taza de vinagre blanco en un vaso o recipiente apto para lavavajillas colocado en la bandeja superior. (El vinagre es un ácido y su uso constante podría dañar el artefacto).</li> </ul>
	<b>Después de limpiar, el aparato huele a detergente.</b> <ul style="list-style-type: none"> <li>• Esto es normal.</li> </ul>
Quedan restos de comida en la vajilla.	<b>Selección inadecuada de ciclo.</b> <ul style="list-style-type: none"> <li>• Seleccione el ciclo correcto según el nivel de suciedad y el tipo de vajilla a lavar.</li> </ul>
	<b>La temperatura del agua es demasiado baja.</b> <ul style="list-style-type: none"> <li>• Controle la conexión del suministro de agua o el ajuste de calentamiento del agua.</li> </ul>
	<b>No se utilizó detergente para lavavajillas.</b> <ul style="list-style-type: none"> <li>• Utilice el detergente recomendado.</li> </ul>
	<b>Presión de agua de entrada insuficiente.</b> <ul style="list-style-type: none"> <li>• La presión de agua debe ser de entre 20 y 80 psi.</li> </ul>
	<b>Los orificios propulsores de agua de los brazos rociadores están bloqueados.</b> <ul style="list-style-type: none"> <li>• Limpie los brazos rociadores.</li> </ul>
	<b>Carga inadecuada de vajilla.</b> <ul style="list-style-type: none"> <li>• Asegúrese de que la vajilla no bloquee la rotación de los brazos rociadores ni interfieran con el dispensador de detergente.</li> </ul>
	<b>Los filtros están obstruidos.</b> <ul style="list-style-type: none"> <li>• Limpie los filtros.</li> </ul>
Opacidad en la vajilla de cristal.	<b>Hay una combinación de exceso de detergente y agua dura.</b> <ul style="list-style-type: none"> <li>• Use menos detergente y un abrillantador para minimizar el problema.</li> </ul>
Marcas negras o grises en la vajilla.	<b>Los objetos de aluminio rozan contra la vajilla durante el ciclo.</b> <ul style="list-style-type: none"> <li>• Reposicione la vajilla.</li> </ul>
Película amarilla o marrón en las superficies internas del lavavajillas.	<b>Manchas de té o café.</b> <ul style="list-style-type: none"> <li>• Elimine las manchas utilizando un producto quita manchas.</li> </ul>

Problemas	Causas posibles y solución
<b>Manchas y película en la vajilla.</b>	<b>Baja temperatura del agua.</b> <ul style="list-style-type: none"> <li>El suministro de agua debe estar a 120 °F para un mejor rendimiento de lavado.</li> </ul>
	<b>Sobrecarga.</b> <ul style="list-style-type: none"> <li>No sobrecargue el lavavajillas.</li> </ul>
	<b>Carga inadecuada.</b> <ul style="list-style-type: none"> <li>Consulte la sección <b>Operation</b> (Funcionamiento).</li> </ul>
	<b>Presión de agua insuficiente.</b> <ul style="list-style-type: none"> <li>La presión de agua debe ser de entre 20 y 80 psi.</li> </ul>
	<b>Detergente insuficiente.</b> <ul style="list-style-type: none"> <li>Agregue la cantidad de detergente recomendada. Consulte la sección "Funcionamiento".</li> </ul>
	<b>El dispensador del abrillantador está vacío.</b> <ul style="list-style-type: none"> <li>Recargue el dispensador del abrillantador.</li> </ul>
	<b>Agua dura acumulada en la cuba.</b> <ul style="list-style-type: none"> <li>Retire toda la vajilla, los cubiertos y el cesto para cubiertos del lavavajillas. Deben quedar únicamente los estantes en la cuba. Para obtener mejores resultados, use ácido cítrico en polvo (se puede encontrar en la sección de enlatados de la mayoría de los mercados o en Internet). Mida 3 cucharadas (40 g) de ácido cítrico en polvo. Llene el compartimiento principal de lavado con el polvo que ha medido. Si no puede conseguir ácido cítrico en polvo, vierta aproximadamente una taza (200 ml - 300 ml) de vinagre blanco en un recipiente poco profundo y colóquelo en el estante superior. Ejecute el ciclo <b>Machine Clean (Limpieza de la máquina) (Download Cycle (Descarga de ciclo): P1)</b>. No utilice detergente.</li> </ul>
<b>La vajilla no se seca.</b>	<b>El dispensador del abrillantador está vacío.</b> <ul style="list-style-type: none"> <li>Controle y recargue el dispensador del abrillantador si está vacío.</li> </ul>

## Wi-Fi

Problemas	Causas posibles y solución
<b>Problemas al conectar el electrodoméstico y el teléfono inteligente a una red Wi-Fi</b>	<b>Se introdujo una contraseña incorrecta para la red Wi-Fi.</b> <ul style="list-style-type: none"> <li>Borre su red Wi-Fi doméstica y vuelva a realizar el proceso de conexión.</li> </ul>
	<b>Red Móvil está activada en su teléfono inteligente.</b> <ul style="list-style-type: none"> <li>Desactive la <b>Red Móvil</b> en su teléfono inteligente antes de conectar el electrodoméstico.</li> </ul>
	<b>El nombre de la red inalámbrica (SSID) se ha configurado incorrectamente.</b> <ul style="list-style-type: none"> <li>El nombre de la red inalámbrica (SSID) debe ser una combinación de letras y números. (No utilice símbolos especiales)</li> </ul>
	<b>La frecuencia del enrutador no es de 2,4 GHz.</b> <ul style="list-style-type: none"> <li>Sólo se admite una frecuencia de enrutador de 2.4 GHz. Configure el enrutador inalámbrico a 2.4 GHz y conecte el electrodoméstico a éste. Para verificar la frecuencia del enrutador, consulte con su proveedor de servicios de internet o con el fabricante del enrutador.</li> </ul>
	<b>El electrodoméstico y el enrutador están demasiado alejados.</b> <ul style="list-style-type: none"> <li>Si el electrodoméstico está muy lejos del enrutador, puede que la señal sea débil y que la conexión no se configure correctamente. Reubique el enrutador para que esté más cerca del electrodoméstico o adquiera e instale un repetidor Wi-Fi.</li> </ul>

# GARANTÍA LIMITADA

## EE. UU.

### TÉRMINOS Y CONDICIONES

**AVISO DE ARBITRAJE: ESTA GARANTÍA LIMITADA CONTIENE UNA CLÁUSULA DE ARBITRAJE QUE LE DEMANDA A USTED Y A LG ELECTRONICS (“LG”) RESOLVER CONFLICTOS A TRAVÉS DE UN ARBITRAJE VINCULANTE EN LUGAR DE HACERLO EN EL TRIBUNAL, A MENOS QUE USTED DECIDA NO PARTICIPAR. EN EL ARBITRAJE NO ESTÁN PERMITIDAS LAS ACCIONES COLECTIVAS NI LOS JUICIOS CON JURADO. POR FAVOR, VEA A CONTINUACIÓN LA SECCIÓN “PROCEDIMIENTO PARA RESOLVER CONFLICTOS”.**

En caso de que su Lavavajillas LG (“Producto”) presente alguna falla por defectos de materiales o de fabricación bajo uso apropiado y normal durante el período de garantía establecido más abajo, será reparado o reemplazado por LG, a su opción. Esta garantía limitada es válida únicamente para el comprador final original del Producto (“Usted”), y para productos comprados legalmente y utilizados dentro de los Estados Unidos, incluidos los territorios norteamericanos.

Período de garantía	Alcance de la garantía	CÓMO SE MANEJA EL SERVICIO TÉCNICO
Un (1) año a partir de la fecha de compra minorista original	Mano de obra / Piezas	LG también brindará, sin costo alguno, todos los servicios de mano de obra y en sitio para reemplazar la pieza defectuosa.
Dos (2) años a partir de la fecha de compra minorista original	Placa control principal†/ Bandeja / Revestimiento de la puerta de acero inoxidable / Cuba	Panel de control principal, estante para lavavajillas, revestimiento de acero inoxidable de la puerta y bañera. El cliente será responsable del costo de mano de obra o servicio en el hogar para reemplazar las piezas defectuosas.
Diez (10) años a partir de la fecha de compra minorista original	Motor Direct Drive	Motor Direct Drive. El cliente será responsable del costo de mano de obra o servicio en el hogar para reemplazar las piezas defectuosas.

† La placa control principal está ubicada en la parte inferior derecha del lavavajillas, desde la vista frontal.

- Los Productos y las piezas de repuesto están cubiertos durante el tiempo restante del período original de garantía o noventa (90) días, lo que resulte mayor.
- Los Productos y las piezas de repuesto pueden ser nuevos, reparados, reacondicionados, o reconstruidos por la fábrica.
- Los Productos o piezas reemplazados serán propiedad de LG.
- Es necesario presentar prueba de la compra minorista especificando el modelo del Producto y la fecha de compra para obtener el servicio de garantía conforme a la presente garantía limitada.

**SALVO LO PROHIBIDO POR LA LEY, TODA GARANTÍA DE COMERCIALIZACIÓN O IDONEIDAD IMPLÍCITA, PARA UN PROPÓSITO PARTICULAR EN EL PRODUCTO, ESTÁ LIMITADA A LA DURACIÓN DE LA GARANTÍA ARRIBA EXPRESADA. BAJO NINGUNA CIRCUNSTANCIA DEBERÁ LG O SUS DISTRIBUIDORES/REPRESENTANTES SER RESPONSABLE POR CUALQUIER DAÑO INDIRECTO, INCIDENTAL, CONSECUENTE, ESPECIAL, O PUNITIVO, LO CUAL INCLUYE PERO NO SE LIMITA A, PÉRDIDA DE FONDOS DEL COMERCIO, GANANCIAS PERDIDAS, INTERRUPCIÓN DEL TRABAJO, DETERIORO DE OTROS BIENES, COSTO DE REMOVER Y REINSTALAR EL PRODUCTO, PÉRDIDA DE USO, O CUALQUIER OTRO DAÑO YA SEA BASADO EN CONTRATO, PERJUICIO, U OTROS. LA RESPONSABILIDAD TOTAL DE LG, EN CASO EXISTA, NO EXCEDERÁ EL PRECIO QUE USTED PAGÓ POR ADQUIRIR EL PRODUCTO.**

**ALGUNOS ESTADOS NO PERMITEN LA EXCLUSIÓN O LIMITACIÓN DE DAÑOS INCIDENTALES O EMERGENTES, O LIMITACIONES A LA DURACIÓN DE LA GARANTÍA IMPLÍCITA, POR LO QUE LA**

**EXCLUSIONES O LIMITACIONES ANTERIORES PODRÍAN NO CORRESPONDER EN SU CASO. ESTA GARANTÍA LIMITADA LE OTORGA DERECHOS LEGALES ESPECÍFICOS, Y ES POSIBLE QUE USTED CUENTE CON OTROS DERECHOS, QUE VARÍAN SEGÚN EL ESTADO.**

## **ESTA GARANTÍA LIMITADA NO CUBRE LO SIGUIENTE:**

- Viajes del servicio técnico para entregar, buscar o instalar el producto, instruir al cliente sobre la operación del mismo, corregir el cableado o las reparaciones/instalaciones no autorizadas.
- Daño o fallo del producto al operar durante fallas e interrupciones del suministro eléctrico, o resultado de un servicio eléctrico inadecuado.
- Daños o fallos del Producto causados por tuberías de agua rotas o con fugas, tuberías de agua congeladas, líneas de desagüe obstruidas, suministro de agua inadecuado o interrumpido, o suministro de aire inadecuado.
- Daños o fallos del Producto causados por operar el Producto en una atmósfera corrosiva o contraria a las instrucciones detalladas en el manual del usuario del Producto.
- Daños o fallos del Producto causados por accidentes, pestes y alimañas, rayos, viento, incendio, inundaciones, causas de fuerza mayor, o cualquier otra causa fuera del control de LG.
- Daños o fallos del Producto causados por modificaciones o alteraciones no autorizadas, o por utilizar el Producto para fines distintos de lo previsto, o pérdida de agua cuando el Producto no se instaló adecuadamente.
- Daños o fallos del Producto causados por corriente eléctrica o voltaje incorrectos, o códigos de cañería.
- Daños o fallos del Producto causados por el transporte, almacenamiento o manipulación, incluidos rayas, muescas, astillados u otros daños al acabado, a menos que tales defectos se informen en el plazo de una (1) semana a partir de la entrega.
- Daños o fallos del Producto causados por mal uso, abuso, instalación, reparación o mantenimiento incorrectos. Una reparación incorrecta incluye el uso de piezas no autorizadas, aprobadas o especificadas por LG. La instalación o el mantenimiento inadecuado incluye aquellos contrarios a lo especificado en el manual del usuario del Producto.
- Daños o fallos del Producto causados por el uso de piezas, componentes, accesorios, productos de limpieza consumibles, u otros productos o servicios no autorizados por LG.
- Daños o artículos faltantes con la caja abierta o que hayan estado en exhibición.
- Productos reacondicionados o cualquier producto vendido con los avisos "En el estado actual", "En el sitio actual", "Con todos sus defectos" o similares.
- Productos cuyos números de serie originales hayan sido retirados, alterados o no se puedan determinar fácilmente.
- Aumentos en los costos de los servicios públicos y otros gastos adicionales de dichos servicios.
- Cualquier ruido asociado con la operación normal.
- Productos utilizados de otra forma que no sea uso doméstico usual y normal (p. ej., uso comercial o industrial) o de forma contraria al manual del usuario del Producto.
- Costos asociados con la remoción y reinstalación del Producto para reparaciones o la remoción y reinstalación del Producto si está instalado en una ubicación inalcanzable o no está instalado de acuerdo con el Manual del propietario del producto.
- Accesorios, componentes extraíbles o partes consumibles (por ejemplo, estantes, compartimentos de la puerta, cajones, filtros de agua o aire, rejillas, bombillas, baterías, etc. según corresponda), excepto las partes internas/funcionales cubiertas por esta garantía limitada.

**El costo de reparación o reemplazo en estas circunstancias excluidas estará a cargo de Usted.**

PARA OBTENER SERVICIO EN GARANTÍA E INFORMACIÓN ADICIONAL

Llame al 1-800-243-0000 y seleccione la opción apropiada desde el menú.

O visite nuestro sitio web en <http://www.lg.com>

O por correo: LG Electronics Customer Service P.O. Box 240007 Huntsville, AL 35813 ATTN: CIC

## PROCEDIMIENTO PARA RESOLVER CONFLICTOS:

TODOS LOS CONFLICTOS ENTRE USTED Y LG QUE SURJAN FUERA DE O RELACIONADOS DE ALGUNA MANERA CON ESTA GARANTÍA LIMITADA O CON EL PRODUCTO, SE RESOLVERÁN EXCLUSIVAMENTE A TRAVÉS DE UN ARBITRAJE VINCULANTE Y NO EN UNA CORTE DE JURISDICCIÓN GENERAL. ARBITRAJE VINCULANTE SIGNIFICA QUE USTED Y LG RENUNCIAN AL DERECHO DE UN JUICIO CON JURADO Y A REALIZAR O PARTICIPAR EN UNA DEMANDA COLECTIVA.

**Definiciones.** Para el propósito de esta sección, las referencias a “LG” significan: LG Electronics U.S.A., Inc., sus empresas matrices, subsidiarias y filiales y cada uno de sus directivos, directores, empleados, agentes, beneficiarios, predecesores en interés, sucesores, cesionarios y proveedores; las referencias a “conflicto” o “reclamación” incluirán cualquier conflicto, reclamo o controversia de cualquier tipo, sin importar (ya sea basado en contrato, agravio, estatuto, regulación, ordenanza, fraude, falsa representación o cualquier teoría legal o equitativa) que surja de o esté relacionada con cualquier forma de venta, condición o desempeño del producto o de esta Garantía Limitada.

**Aviso de disputa.** En caso de que usted desee iniciar un procedimiento de arbitraje, primero debe notificar a LG por escrito al menos 30 días antes de iniciar el arbitraje enviando una carta a LG a LG Electronics, USA, Inc. Atención: Legal Department- Arbitration 111 Sylvan Avenue, Englewood Cliffs, NJ 07632. Usted y LG aceptan participar en discusiones de buena fe en un intento de resolver su reclamo de manera amistosa. En la carta debe proporcionar su nombre, dirección y número de teléfono; identificar el producto que es objeto de la reclamación; y describir la naturaleza del reclamo y el remedio que busca. Si usted y LG no pueden resolver la disputa dentro de 30 días, cualquiera de las partes puede proceder a presentar una demanda de arbitraje.

**Acuerdo de arbitraje vinculante y renuncia de demanda colectiva.** En caso de no resolver la disputa durante el período de 30 días después de enviar una notificación por escrito a LG, Usted y LG se comprometen a resolver cualquier reclamo entre nosotros, solamente a través de arbitraje vinculante sobre una base individual, a menos que usted se excluya, conforme a lo dispuesto a continuación. Cualquier conflicto entre usted y LG no estarán combinados o consolidados con una controversia relacionada con cualquier otro producto o reclamo de otra persona o entidad. Más específicamente y sin perjuicio de lo anterior, no procederá bajo ninguna circunstancia cualquier disputa entre usted y LG como parte de una acción colectiva o representativa. En lugar del arbitraje, cualquiera de las partes podrá iniciar una acción individual en la corte de reclamos menores, pero tales acciones en la corte de reclamos menores no podrán ser realizadas en una acción colectiva o representativa.

**Normas y procedimientos de arbitraje.** Para comenzar con el arbitraje de un reclamo, usted o LG deben realizar una demanda escrita para arbitraje. El arbitraje será administrado por la Asociación Americana de Arbitraje (AAA) y se llevará a cabo ante un árbitro único bajo las Normas de Arbitraje del Consumidor de la AAA, que tienen efecto al momento de inicio del arbitraje (en adelante “Normas de la AAA”) y bajo los procedimientos establecidos en esta sección. Las Normas de la AAA están disponibles en línea en [www.adr.org/consumer](http://www.adr.org/consumer). Envíe una copia de su solicitud de arbitraje por escrito, así como una copia de esta disposición, a la AAA de la forma descrita en las Normas de la AAA. También debe enviar una copia de su solicitud por escrito a LG en LG Electronics, USA, Inc. Atención: Legal Department- Arbitration 111 Sylvan Avenue, Englewood Cliffs, NJ 07632. Si hay un conflicto entre las Normas de la AAA y las reglas establecidas en esta sección, prevalecerán dichas reglas de esta sección. Esta disposición de arbitraje se rige por la Ley Federal de Arbitraje. El juicio se puede introducir en el laudo arbitral en cualquier tribunal de jurisdicción competente. Todos son temas para que el árbitro tome sus decisiones, excepto aquellos asuntos relativos al alcance y aplicabilidad de la cláusula de arbitraje y de la capacidad de arbitraje de la controversia para que el tribunal decida. El árbitro se regirá por los términos de esta disposición.

**Legislación vigente.** La legislación del estado de su residencia regirá esta Garantía Limitada, así como todas las disputas entre nosotros, salvo que sea invalidada o inconsistente con leyes federales aplicables.

**Tarifas / Costos.** Usted no debe pagar ninguna tarifa para comenzar un arbitraje. Al recibir su solicitud de arbitraje por escrito, LG pagará todos los gastos administrativos rápidamente a la AAA, a menos que usted solicite más de \$25,000.00 por daños, en cuyo caso el pago de estos gastos se regirá por las Normas de la AAA. Salvo disposición contraria prevista en el presente documento, LG pagará a la AAA todos los gastos documentales, administrativos y de arbitraje para cualquier arbitraje iniciado, de conformidad con las Normas de la AAA y esta disposición de arbitraje. Si usted prevalece en el arbitraje, LG pagará los honorarios y gastos de sus abogados, siempre y cuando sean razonables, considerando factores que incluyen, entre otros, el monto de la compra y el monto del reclamo. No obstante lo anterior, si la ley aplicable permite una adjudicación de honorarios y gastos razonables de abogados, un árbitro puede otorgarlos en la misma medida que lo haría un tribunal. Si el árbitro considera que la sustancia de su

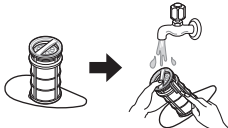
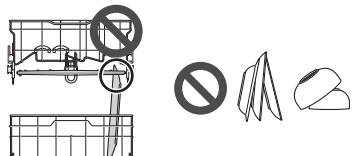
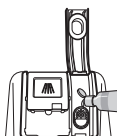
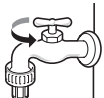
reclamo o la reparación solicitada en la demanda es frívola o se utiliza para un propósito inadecuado (calificado según las normas establecidas en la Norma Federal de Procedimiento Civil 11 (b)), el pago de todos los honorarios de arbitraje se registrará por las Normas de la AAA. En tal situación usted se compromete a reembolsar a LG todos los fondos erogados previamente por ella, cuyo pago es, por otra parte, su obligación, según las Normas de la AAA. Salvo disposición contraria, LG renuncia a cualquier derecho que pudiera tener para solicitarle los honorarios y gastos de sus abogados, si LG prevalece en el arbitraje.


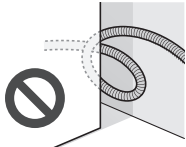
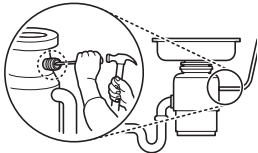
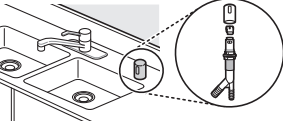

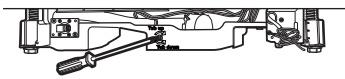
**Audiencias y ubicación.** Si su reclamo es por \$25,000 o menos, usted puede optar que el arbitraje sea realizado únicamente sobre la base de: (1) documentos presentados al árbitro, (2) a través de una audiencia telefónica o (3) por una audiencia en persona, según lo establecido por las Normas de la AAA. Si su reclamo excede \$25,000, el derecho a una audiencia estará determinado por las Normas de la AAA. Cualquier audiencia de arbitraje en persona se realizará en un lugar dentro del distrito judicial federal en el cual resida, a menos que ambos acuerden otra ubicación o estemos de acuerdo con el arbitraje telefónico.

**Exclusión.** Usted puede quedarse fuera de este procedimiento de resolución de la disputa. Si se excluye, ni usted ni LG pueden solicitar al otro que participe en un procedimiento de arbitraje. Para excluirse usted debe enviar una notificación a LG, en un lapso de hasta 30 días continuos, contados a partir de la fecha de la primera compra del consumidor del producto, ya sea por: (i) el envío de un correo electrónico a [optout@lge.com](mailto:optout@lge.com) con el siguiente Asunto: "Exclusión del arbitraje" o (ii) llamada al 1-800-980-2973. Debe incluir en el correo electrónico de exclusión o suministrar por teléfono: (a) su nombre y dirección; (b) la fecha en la cual el producto fue comprado; (c) el nombre o el número del modelo del producto; y (d) el número del serial (el número del serial puede ser hallado (i) en el producto, o (ii) en la dirección de <https://www.lg.com/us/support/repair-service/schedule-repair-continued> al hacer clic en "Find My Model & Serial Number").

Sólo puede excluirse del procedimiento de resolución de conflictos en la forma descrita anteriormente (es decir, por correo electrónico o por teléfono); ninguna otra forma de notificación será efectiva para hacerlo. Excluirse de este procedimiento de resolución de controversias no afectará de ninguna manera la cobertura de la Garantía Limitada, por lo que usted continuará disfrutando de todos sus beneficios. Si conserva este producto y no se excluye, usted acepta todos los términos y condiciones de la cláusula de arbitraje descrita anteriormente.

### Excepciones a la garantía

<p>Resultados deficientes de lavado causados por desechos remanentes en el filtro.</p>		<p>Limpie el filtro con regularidad.</p>
<p>Resultados deficientes de lavado causados por una carga incorrecta o exceso de apilado: el brazo de lavado no gira o el dispensador de jabón queda cerrado.</p>		<p>Asegúrese de que no haya vajilla ni utensilios que bloqueen los brazos rociadores. No apile la vajilla.</p>
<p>Resultados deficientes de secado causados por falta de abrillantador.</p>		<p>Use abrillantador o detergente combinado.</p>
<p>No se suministra agua porque el grifo no está abierto. Error IE</p>		<p>Verifique y abra la llave de agua.</p>

<p>No hay suministro de agua, porque la manguera de entrada está plegada. Error IE</p>		<p>Vuelva a instalar la manguera de entrada.</p>
<p>No hay desagüe porque la manguera de desagüe está plegada. Error OE</p>		<p>Vuelva a instalar la manguera de desagüe.</p>
<p>El tapón ciego del triturador no se ha extraído. Error OE</p>		<p>Retire el tapón del triturador.</p>
<p>El triturador o la trampa de aire están bloqueados por desechos. Error OE</p>		<p>Limpe el triturador o la trampa de aire.</p>
<p>Problema en la conexión de la válvula de entrada y la manguera de desagüe causado por una instalación inadecuada. Fuga externa</p>		<p>Reinstale la manguera.</p>
<p>Movimiento de la puerta o cierre comprometido debido a nivelación incorrecta.</p>		<p>Ajuste las patas de nivelación delanteras inferiores a la altura requerida.</p>
<p>No hay energía eléctrica debido a una conexión floja de la línea de alimentación o a un problema en el tomacorriente eléctrico.</p>		<p>Reconecte la línea de alimentación o repare el tomacorriente.</p>
<p>Retiro, cableado eléctrico, fontanería. Instalación</p>		<p>Deberá pagar la instalación.</p>







# MANUEL D'UTILISATION

# **LAVE-VAISSELLE**

---

Veillez lire attentivement le présent manuel de l'utilisateur avant de faire fonctionner l'appareil et conservez-le à portée de la main pour le consulter en tout temps.

**FRANÇAIS**

LDTH797\*\* LDPH797\*\*

---

## TABLE DES MATIÈRES

### 3 CONSIGNES DE SÉCURITÉ IMPORTANTES

---

- 3 LISEZ TOUTES LES CONSIGNES AVANT L'UTILISATION
- 3 AVERTISSEMENTS
- 6 MISES EN GARDE

### 8 APERÇU DU PRODUIT

---

- 8 Caractéristiques du produit

### 11 INSTALLATION

---

- 11 Avant l'installation
- 13 Préparer l'ouverture de l'armoire
- 13 Préparation des raccords des conduites d'eau et du branchement électrique
- 15 Préparer le lave-vaisselle
- 16 Positionnement du lave-vaisselle dans l'ouverture de l'armoire
- 17 Raccordement de l'alimentation en eau et branchement électrique
- 19 Raccordement du tuyau de vidange
- 21 Mise de niveau du lave-vaisselle
- 22 Fixation du lave-vaisselle dans l'ouverture de l'armoire
- 23 Dernière vérification de l'installation

### 25 FONCTIONNEMENT

---

- 25 Avant l'utilisation
- 27 Panneau de commande
- 28 Cycles de lavage
- 29 Autres options et fonctionnalités
- 33 Chargement du lave-vaisselle
- 33 Chargement du panier à ustensiles
- 34 Chargement du panier inférieur
- 36 Chargement du panier supérieur
- 39 Chargement du panier à couverts
- 40 Ajout de produits de nettoyage

### 44 FONCTIONS INTELLIGENTES

---

- 44 Application LG ThinQ
- 47 Fonctionnalité Smart Diagnosis<sup>MC</sup>

### 48 ENTRETIEN

---

- 48 Nettoyage et entretien

### 52 DÉPANNAGE

---

- 52 Avant d'appeler le réparateur

### 60 GARANTIE LIMITÉE

---

- 60 POUR CANADA

# CONSIGNES DE SÉCURITÉ IMPORTANTES

## LISEZ TOUTES LES CONSIGNES AVANT L'UTILISATION

### Messages de sécurité

**Il est très important d'assurer votre sécurité et celle des autres.**

Nous fournissons de nombreux conseils de sécurité importants dans ce manuel et sur votre appareil. Lisez toujours l'ensemble des messages de sécurité et respectez-les.



Ceci est le symbole d'alerte de sécurité.

Ce symbole vous alerte de dangers potentiels qui peuvent causer la mort ou des blessures. Tous les messages de sécurité seront précédés du symbole d'alerte de sécurité et du terme AVERTISSEMENT ou MISE EN GARDE.

Voici le message que ces mots véhiculent :



### AVERTISSEMENTS

Vous pouvez être tué ou gravement blessé si vous ne suivez pas les consignes.



### MISES EN GARDE

Vous pouvez être légèrement blessé ou pouvez endommager le produit si vous ne suivez pas les consignes.

Tous les messages de sécurité vous indiqueront quel est le danger potentiel, comment réduire les risques de blessures et ce qui peut se produire en cas de non-respect des consignes.

## AVERTISSEMENTS



### AVERTISSEMENT

- Pour réduire les risques d'explosion, d'incendie, de mort, de décharge électrique, de brûlure ou de blessures lors de l'utilisation de l'appareil, prenez les précautions élémentaires, y compris les suivantes :

### Installation

- Branchez l'appareil dans un circuit électrique à protection, à valeurs nominales et de taille adéquates pour éviter une surcharge électrique.
- Pour réduire le risque de blessure grave ou de décès, suivez toutes les consignes d'installation.
- L'appareil doit être installé et mis à la terre conformément au code du bâtiment local par le personnel qualifié.
- Débranchez le câble d'alimentation électrique, retirez le fusible ou éteignez le disjoncteur avant l'installation ou l'entretien de l'appareil.
- Pour déplacer ou installer l'appareil dans un autre emplacement, faites appel à un technicien qualifié.
- Gardez le matériel d'emballage hors de portée des enfants. Le matériel d'emballage pose un danger pour les enfants. Il y a un risque de suffocation.
- Au moins deux personnes sont requises pour déplacer ou installer l'appareil.
- Cet appareil n'est pas conçu pour un usage nautique ou mobile, comme dans un véhicule récréatif, une roulotte ou un avion.
- Entrezposez et installez l'appareil dans un endroit où il ne sera pas exposé à des températures sous le point de congélation ni aux intempéries.
- Cet appareil doit être placé près d'une prise électrique.

## 4 CONSIGNES DE SÉCURITÉ IMPORTANTES

---

- Vous ne devez en aucun cas couper ou retirer le câble de mise à la terre du câble d'alimentation électrique.
- Lorsque vous installez ou déplacez l'appareil, faites attention de ne pas pincer, écraser, ni endommager le câble d'alimentation électrique.
- N'installez pas l'appareil dans un endroit humide.
- Détruisez l'emballage en carton, le sac en plastique et tout autre matériel d'emballage après avoir déballé l'appareil. Les enfants pourraient jouer avec ces articles. Le carton, lorsque recouvert de tapis, de draps ou de pellicule de plastique, peut se transformer en chambre étanche.
- N'essayez jamais d'utiliser cet appareil s'il est endommagé, défectueux ou partiellement démonté, s'il manque des pièces ou si des pièces sont endommagées. Ceci concerne également un câble d'alimentation électrique abîmé.
- Respectez toutes les procédures de sécurité recommandées de l'industrie, incluant le port de gants à longs poignets et de lunettes de sécurité.
- L'installateur doit prendre soin de placer le lave-vaisselle dans un endroit totalement clos au moment de l'installation.
- Utilisez des tuyaux neufs pour raccorder l'appareil à l'alimentation en eau. Ne réutilisez pas des tuyaux usagés.
- Après l'installation, vérifiez si le raccordement du tuyau fuit.
- Ne placez pas d'objets lourds sur le câble d'alimentation électrique de l'appareil et ne l'abîmez pas.

## FONCTIONNEMENT

- Réparez ou remplacez immédiatement tout câble d'alimentation électrique dénudé ou endommagé. N'utilisez pas un câble avec des fissures ou des dommages dus à une abrasion sur sa longueur ou sur l'une de ses extrémités.
- Si l'appareil produit un bruit bizarre, une odeur chimique ou de brûlé ou de la fumée, débranchez-le immédiatement et communiquez avec le Centre d'information à la clientèle de LG Electronics.
- Ne débranchez jamais l'appareil en tirant sur le câble d'alimentation électrique.
- N'utilisez pas de rallonge électrique ni d'adaptateur avec cet appareil.
- Ne saisissez pas le câble d'alimentation électrique et ne touchez pas les boutons de l'appareil avec les mains mouillées.
- Ne modifiez et ne prolongez pas le câble d'alimentation électrique.
- Si l'appareil a été immergé, communiquez avec le Centre d'information à la clientèle de LG Electronics pour obtenir des directives avant de recommencer à l'utiliser.
- N'entreposez ou n'utilisez pas d'essence ou d'autres vapeurs inflammables à proximité de cet appareil ou d'autres appareils.
- Veillez à maintenir la zone située en-dessous et autour de vos appareils électroménagers dégagée de matières combustibles (peluche/charpie, papier, chiffons, etc.), d'essence, de produits chimiques et d'autres vapeurs ou liquides inflammables.
- Cet appareil n'est pas destiné à être utilisé par des personnes (incluant des enfants) dont les capacités physiques, mentales ou sensorielles sont réduites, ou qui n'ont pas l'expérience ou les connaissances pour le faire, à moins d'avoir reçu des instructions et d'avoir été supervisées par une personne responsable de leur sécurité.
- Si le câble d'alimentation électrique est endommagé, il doit être remplacé par le fabricant uniquement, par son agent de maintenance, ou toute personne qualifiée, afin d'éviter tout risque.
- Ne forcez pas la porte et ne posez pas votre poids sur la porte de l'appareil.
- Lisez toutes les instructions avant d'utiliser l'appareil et conservez ces instructions.
- N'utilisez l'appareil qu'aux fins pour lesquelles il est conçu.
- Ne laissez pas des enfants jouer sur, dans ou avec l'appareil. Il est nécessaire de surveiller étroitement les enfants lorsque l'appareil fonctionne à proximité d'eux.

- Ne modifiez pas les commandes.
- En cas de fuite de gaz (propane, gaz naturel, etc.), ne faites pas fonctionner cet appareil ni tout autre appareil. Ouvrez immédiatement une fenêtre ou une porte pour aérer la zone.
- Dans certaines conditions, de l'hydrogène peut se former dans un système d'eau chaude qui pas été utilisé pendant deux semaines ou plus. L'HYDROGÈNE EST UN GAZ EXPLOSIF. Si le système d'eau chaude n'a pas servi pendant une telle durée, ouvrez tous les robinets d'eau chaude et laissez l'eau couler pendant plusieurs minutes avant d'utiliser l'appareil. Cette procédure permettra d'évacuer toute trace d'hydrogène accumulé. Comme l'hydrogène est un gaz inflammable, ne fumez pas pendant ce temps, et n'utilisez pas de feu.
- Fixez le tuyau de vidange en serrant fermement.
- Utilisez seulement les détergents ou les agents mouillants recommandés pour une utilisation dans un lave-vaisselle et gardez-les hors de la portée des enfants.
- Ne laissez pas les enfants ingérer du détergent ou un produit de rinçage pour lave-vaisselle.
- Lors du remplissage du lave-vaisselle :
  - Placez les objets coupants de manière à ce qu'ils ne risquent pas d'endommager le joint de la porte.
  - Placez les couteaux pointus le manche vers le haut pour limiter le risque de coupures ou d'autres blessures.
- Ne lavez pas d'articles en plastique sauf si ceux-ci portent l'indication « sans danger au lave-vaisselle » ou l'équivalent. Dans le cas des articles en plastique ne portant aucune indication, consultez les recommandations du fabricant.
- Ne touchez PAS à l'ÉLÉMENT CHAUFFANT pendant ou immédiatement après l'utilisation.
- Ne mettez pas le lave-vaisselle en marche avant d'avoir correctement mis en place les panneaux du BOÎTIER.
- Ne forcez pas la porte et ne posez pas votre poids sur la porte ou sur les paniers du lave-vaisselle.
- Installez ou rangez le lave-vaisselle dans un lieu non exposé aux intempéries.
- Après avoir nettoyé la vaisselle, fermez complètement l'arrivée d'eau. Avant de nettoyer, ouvrez l'arrivée d'eau et vérifiez les raccords.
- N'ouvrez pas la porte de l'appareil lors du fonctionnement. Pour des raisons de sécurité, la pompe de vidange fonctionne en cas d'ouverture de la porte, ce qui entraîne un cycle plus long.
- Fermez la porte de l'appareil avec prudence pour éviter d'accrocher vos mains.
- Ne branchez pas le lave-vaisselle dans une prise de courant endommagée.
- N'installez pas le lave-vaisselle près de composants électriques et ne le mettez pas à proximité d'un lieu exposé aux flammes.
- Ne lavez pas de plats exposés à l'essence, aux solvants ou à d'autres matières inflammables.
- Pendant le nettoyage, ne vaporisez pas d'eau directement sur le produit.
- N'appuyez pas sur les touches à l'aide d'un objet pointu comme une alêne ou une épingle.
- N'utilisez pas de détergents à base de solvants.
- Évitez tout contact avec la sortie de vapeur.
- De petites pièces, comme les pinces de grille et les butées de support du filtre, posent un risque de suffocation pour les jeunes enfants s'ils sont retirés du lave-vaisselle. Gardez-les hors de la portée des jeunes enfants.
- Ne touchez pas le ventilateur de séchage avec chaleur lors du fonctionnement, car il est chaud.

## Entretien

- Ne réparez pas et ne remplacez pas de pièce de l'appareil. Tous les entretiens et les réparations doivent être faits par du personnel d'entretien qualifié, à moins d'indications contraires dans le présent guide de l'utilisateur. Utilisez seulement des pièces autorisées par le fabricant.
- Ne désassemblez pas et ne réparez pas l'appareil vous-même.

## 6 CONSIGNES DE SÉCURITÉ IMPORTANTES

---

- Retirez la poussière ou tout corps étranger du câble d'alimentation électrique.
- Débranchez cet appareil de la prise électrique avant de le nettoyer et avant toute tentative d'entretien. L'utilisation du panneau de commande pour éteindre l'appareil ne coupe pas l'alimentation.
- Avant de mettre la laveuse hors service ou au rebut, retirez-en la porte pour éviter que des enfants ou des petits animaux y soient accidentellement enfermés.
- Débranchez l'appareil avant de le nettoyer pour éviter le risque de décharge électrique.
- Avant de mettre l'appareil au rebut, coupez le câble d'alimentation électrique et détruisez le panneau de commandes de l'appareil.

### Instructions de mise à la terre

- Pour un lave-vaisselle branché en permanence : Cet appareil doit être connecté à un système de branchement permanent en métal relié à la terre, ou un câble isolant de l'appareil doit être relié à un boîtier de jonction de mise à la terre sur l'appareil.
- Branchez le fil de mise à la terre à la prise de masse verte sur le boîtier de jonction.

### Risque de basculement

- N'utilisez pas le lave-vaisselle avant de l'avoir installé complètement.
- Ne poussez pas la porte du lave-vaisselle vers le bas quand elle est ouverte.
- Le non-respect de ces consignes peut entraîner de graves blessures ou coupures.

## MISES EN GARDE

### MISE EN GARDE

- Pour réduire les risques de blessures mineures, de pannes ou de dommages causés à l'appareil ou à la propriété lors de l'utilisation de l'appareil, prenez les précautions élémentaires, y compris les suivantes :
- 

### Installation

- Installez le produit sur un plancher ferme et au niveau.
- Ce lave-vaisselle doit être raccordé à une source d'eau chaude dont la température se situe entre 120 °F (49 °C) et 149 °F (65 °C). Cette plage de températures offre de meilleurs résultats de lavage et les durées de cycle les plus courtes. La température ne doit pas dépasser 149 °F (65 °C) pour éviter d'endommager la vaisselle.
- Ne placez pas le tuyau de vidange sous le lave-vaisselle durant l'installation.

### FONCTIONNEMENT

- Ne placez pas d'objets sur le dessus de l'appareil.
- Fermez les robinets d'eau et débranchez l'appareil si vous quittez votre résidence pendant longtemps, comme lorsque vous partez en voyage.
- Ne rangez pas et ne renversez pas les détergents liquides, les nettoyants ou les javellisants (au chlore ou à l'oxygène) sur le dessus de l'appareil. Cela pourrait entraîner de la corrosion, de la décoloration ou des dommages à la surface de l'appareil.
- Ne touchez pas à l'eau de vidange, qui peut être brûlante.
- Si le tuyau de vidange et le tuyau d'alimentation en eau gèlent durant l'hiver, il faut les dégeler avant d'utiliser l'appareil.
- Ne mettez pas vos mains, vos pieds ou des objets métalliques sous ou derrière l'appareil.

## Entretien

- Si de l'huile de cuisson est renversée sur la surface extérieure de l'appareil, essuyez-la immédiatement. Ne nettoyez pas la surface extérieure de l'appareil avec des produits de nettoyage contenant de l'alcool, du diluant, du javellisant, du benzène, du liquide inflammable ou des substances abrasives. Ces substances peuvent décolorer ou endommager l'appareil.

**GARDEZ CES CONSIGNES**

# APERÇU DU PRODUIT

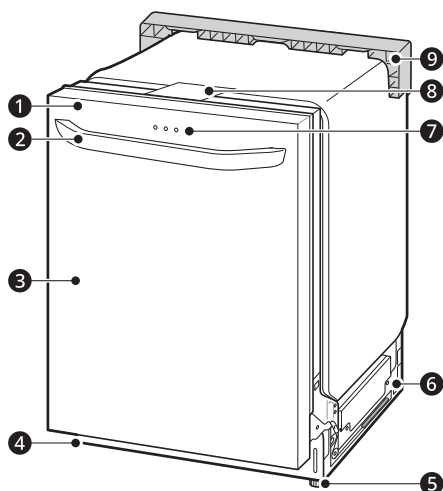
## Caractéristiques du produit

Les illustrations contenues dans ce manuel peuvent être différentes des composants et accessoires réels, et ceux-ci peuvent être modifiés sans préavis par le fabricant dans le but d'améliorer le produit.

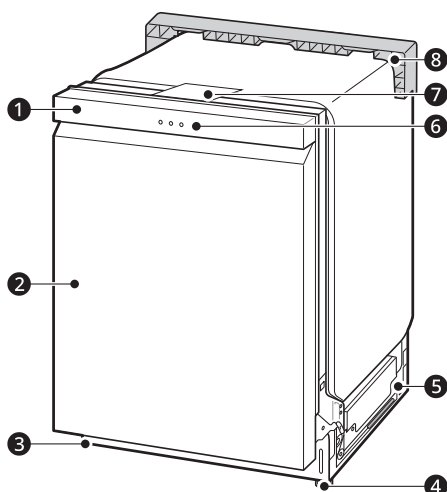
### REMARQUE

- Pour votre sécurité et pour prolonger la vie du produit, n'utilisez que des composants autorisés. Le fabricant décline toute responsabilité en cas de dysfonctionnement du produit ou d'accidents consécutifs à l'utilisation de pièces non autorisées et achetées séparément.
- Ne retirez jamais le couvercle de sécurité.
- Pour assurer sa fiabilité, chaque lave-vaisselle LG subit un contrôle de qualité approfondi avant de quitter l'usine.
- Vous pouvez trouver des gouttelettes d'eau ou des taches d'eau résultant de ce processus dans votre nouveau lavevaisselle.

### Vue de l'avant



- ① Panneau de commande
- ② Poignée de la porte
- ③ Paroi avant
- ④ Paroi inférieure
- ⑤ Pieds de nivellement
- ⑥ Base
- ⑦ Signalight<sup>MC</sup>
- ⑧ Couvercle de sécurité
- ⑨ Armature d'expédition



- ① Panneau de contrôle et poignée de la porte
- ② Paroi avant
- ③ Paroi inférieure
- ④ Pieds de nivellement
- ⑤ Base
- ⑥ Signalight<sup>MC</sup>
- ⑦ Couvercle de sécurité
- ⑧ Armature d'expédition

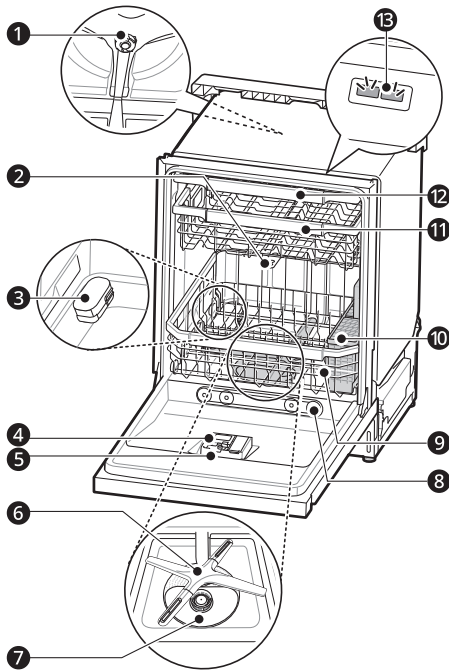
### Signalight<sup>MC</sup> (écran avant)

Les modèles avec des commandes sur le dessus sont dotés de 3 voyants DEL d'état situés au centre de la partie supérieure de la paroi avant.

- Rouge : Erreur (voir les codes d'erreur dans la section sur le dépannage)
- Blanc (fixe) : Fonctionnement normal.
- Blanc (clignotant) : Le cycle a été suspendu. (Si le cycle est suspendu pendant plus de quatre minutes, l'appareil s'éteint automatiquement.)
- Vert : Le cycle s'est terminé normalement.

Le réglage par défaut « en marche » (**ON**) maintient le voyant vert allumé jusqu'à ce que la porte soit ouverte. Si le réglage est modifié à « à l'arrêt » (**OFF**), le voyant vert s'éteint après 90 secondes. Pour changer le réglage, reportez-vous à la section **Utilisation du mode de réglage des options**.

## Vue de l'intérieur



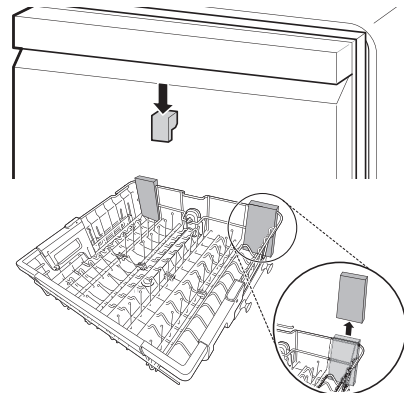
- 1 Pompe de lavage supérieure
- 2 Bras de lavage supérieur
- 3 Ventilateur de séchage avec chaleur
- 4 Distributeur de détergent et de produit de rinçage
- 5 Couvercle de ventilation pour le séchage
- 6 Bras de lavage inférieur
- 7 Système de filtrage
- 8 Buse à vapeur
- 9 Panier inférieur (l'apparence peut varier)

- 10 Panier à couverts
- 11 Panier supérieur
- 12 Panier à ustensiles†
- 13 Lumière de cuve†

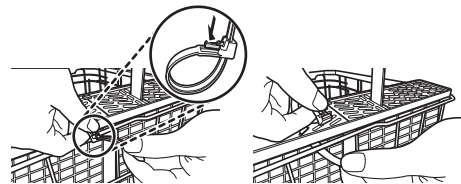
† Cette fonctionnalité est offerte sur certains modèles seulement.

## REMARQUE

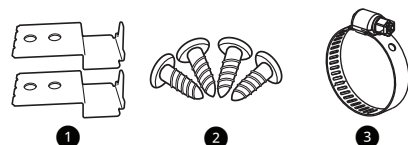
- Le panier à couverts est installé à l'arrière du panier inférieur pour l'expédition de l'appareil. Pour obtenir un rendement optimal, installez-le sur le côté droit.
- Retirez tout le matériel d'emballage à l'intérieur et à l'extérieur du lave-vaisselle avant de l'installer.



- Appuyez sur la languette pour retirer manuellement le collier de serrage. Couper le collier de serrage à l'aide d'un couteau ou d'une paire de ciseaux pourrait endommager le panier principal ou le panier à couverts.



## Accessoires



- 1 Supports d'installation (2 ch.)

## 10 APERÇU DU PRODUIT

---

- ② Vis à bois (4 ch.)
- ③ Collier de serrage

### Caractéristiques du produit

L'aspect et les caractéristiques énumérés dans le présent manuel peuvent varier en raison des constantes améliorations apportées au produit.

Modèle	LDTH797** LDPH797**
<b>Alimentation électrique</b>	120 V, 60 Hz c.a. seulement, Disjoncteur de 15 A
<b>Pression d'eau</b>	De 20 psi à 80 psi (de 140 kPa à 550 kPa)
<b>Dimensions (Largeur X Profondeur X Hauteur)</b>	23 3/4 po x 24 5/8 po x 33 5/8 po (603 mm X 625 mm X 854 mm)
<b>Température de l'arrivée d'eau</b>	120 °F – 149 °F (49 °C – 65 °C)
<b>Poids net</b>	90 lb à 99 lb (41 kg à 45 kg)

# INSTALLATION

## Avant l'installation

### Guide d'installation en ligne

Ce code QR est pour référence seulement, pour des instructions d'installation complètes, voir le manuel d'utilisation fourni avec chaque lave-vaisselle.

### Anglais



<https://www.lg.com/us/support/video-tutorials/lg-dishwasher-installation-CT10000009-1366643457088>

### Français



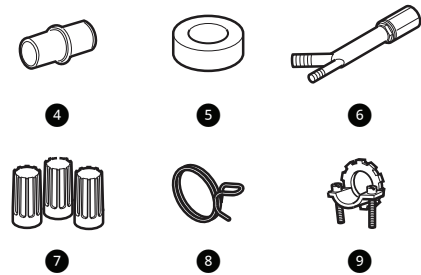
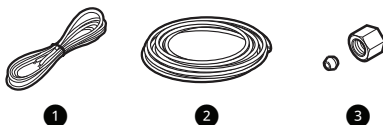
[https://www.lg.com/ca\\_fr/soutien/aide-produit/CT20100059-20152463332979](https://www.lg.com/ca_fr/soutien/aide-produit/CT20100059-20152463332979)

### ⚠ AVERTISSEMENT

- AVIS DE NON-RESPONSABILITÉ – Ce guide est strictement confidentiel et ne doit pas être copié, divulgué, distribué, diffusé, publicisé ni reproduit, en tout ou en partie, sans l'autorisation écrite préalable de LG Electronics.

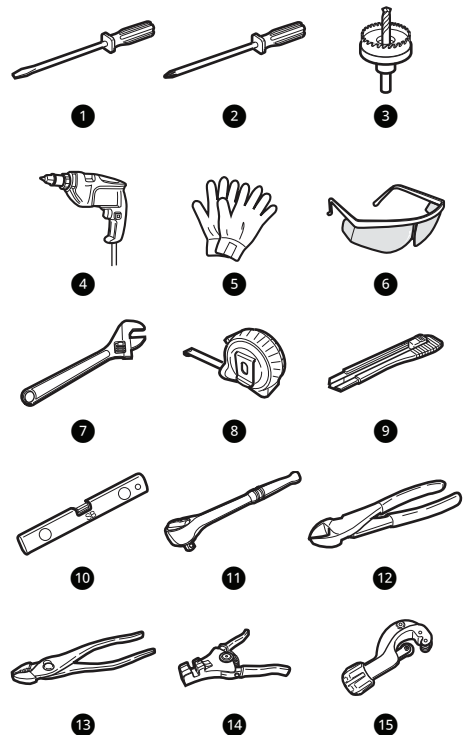
Le guide pourrait contenir des inexactitudes ou des erreurs typographiques et pourrait être modifié ou mis à jour en tout temps par LGE, et ce, sans préavis.

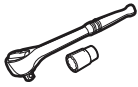
### Pièces non fournies



- 1 Câble électrique
- 2 Tube d'alimentation en eau
- 3 Raccords pour tubes
- 4 Coupleur
- 5 Ruban isolant
- 6 Coupure antirefoulement
- 7 Capuchons de connexion pour câbles de calibre 16
- 8 Collier de serrage
- 9 Réducteur de tension approuvé par l'UL

### Outils nécessaires





16

- 1 Tournevis plat
- 2 Tournevis Phillips
- 3 Scie-cloche à lame de 2 1/2 po (6,35 cm) min.
- 4 Perceuse électrique
- 5 Gants
- 6 Lunettes de protection
- 7 Clé ajustable
- 8 Ruban à mesurer
- 9 Couteau tout usage
- 10 Niveau
- 11 Clé à tête carrée 1/4 po (0,64 cm)
- 12 Pince coupante
- 13 Pincettes
- 14 Pince à dénuder
- 15 Coupe-tube
- 16 Clé à tête carrée de 3/8 po avec douille de 1/2 po

### Aperçu de l'installation

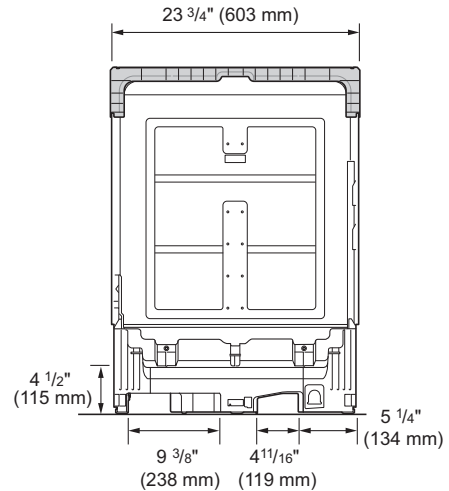
Veillez d'abord lire les instructions d'installation suivantes après avoir acheté ce lave-vaisselle ou après l'avoir transporté à un autre endroit.

- 1 Préparer l'ouverture de l'armoire
- 2 Préparation des raccords des conduites d'eau et du branchement électrique
- 3 Préparer le lave-vaisselle
- 4 Positionnement du lave-vaisselle dans l'ouverture de l'armoire
- 5 Raccordement de l'alimentation en eau et branchement électrique
- 6 Raccordement du tuyau de vidange
- 7 Mise de niveau du lave-vaisselle

- 8 Fixation du lave-vaisselle dans l'ouverture de l'armoire
- 9 Dernière vérification de l'installation

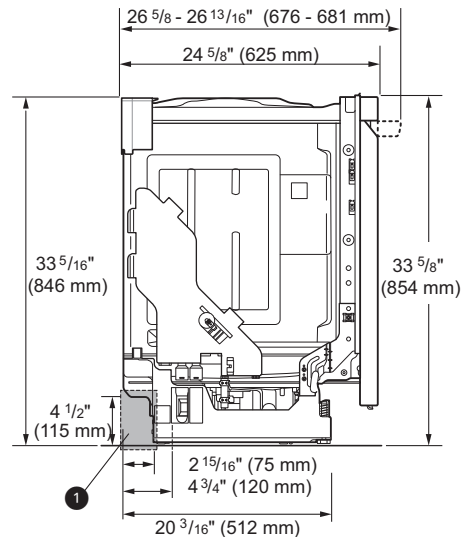
### Dimensions du produit

#### Vue arrière



#### Vue latérale

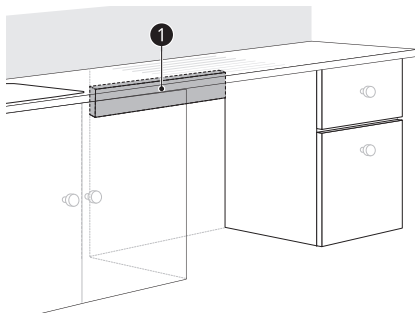
Pour faciliter l'installation, tenez compte des zones de dégagement ❶ indiquées dans la base du lave-vaisselle pour les conduites d'eau et d'électricité. Le tuyau d'alimentation en eau, le tuyau de vidange et le câble électrique doivent être passés dans cet emplacement.



## Préparer l'ouverture de l'armoire

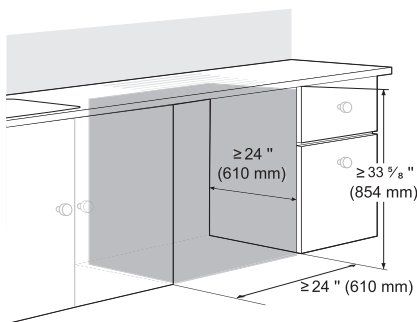
Ce lave-vaisselle est conçu pour s'adapter à une ouverture pour lave-vaisselle standard. Une ouverture peut être nécessaire sur les deux côtés pour installer la tuyauterie et les raccords électriques.

- Pour assurer une vidange efficace, le lave-vaisselle ne doit pas être installé à plus de 12 pieds (3,65 m) de l'évier.
- L'espace doit être suffisant pour que la porte du lave-vaisselle s'ouvre facilement, et il doit y avoir au moins 0,1 po (2 mm) entre le lave-vaisselle et les parois de l'armoire.
- Si le lave-vaisselle doit être installé dans un coin, il est nécessaire de prévoir au moins 2 po (50 mm) entre le lave-vaisselle et le mur contigu.
- Le mur contigu doit être libre de toute obstruction.
- Pour les installations encastrées uniquement, vous pouvez retirer l'entretoise ❶ à l'intérieur de l'armoire.



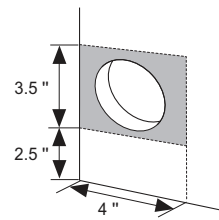
## Choix de l'emplacement adéquat

- 1 Choisissez l'emplacement le plus près possible de l'évier pour faciliter les raccordements aux conduites d'alimentation en eau et de vidange ainsi qu'à la prise électrique.



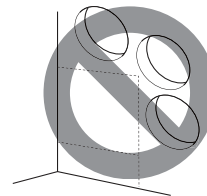
- 2 Afin de laisser un jeu suffisant pour la tuyauterie et les conduites électriques, utilisez

le gabarit fourni dans les documents pour déterminer l'espace nécessaire sur le côté où l'armoire forme un angle avec le mur arrière. À l'aide d'une scie-cloche de 2 1/2 po de diamètre, percez un trou dans la zone cible comme indiqué dans le gabarit.



### ⚠ AVERTISSEMENT

- Les dommages occasionnés pendant l'installation ne sont pas couverts par la garantie, et les fuites résultant d'une installation inadéquate peuvent entraîner des dommages matériels.
- N'utilisez pas les orifices existants à moins qu'ils se trouvent dans la zone cible.
- Si le trou pour les conduites d'eau et de vidange n'est pas correctement situé, le lave-vaisselle pourrait ne pas être bien aligné avec les armoires, ce qui risque de plier, de pincer, d'écraser, de contraindre ou d'endommager les conduites.



## Préparation des raccords des conduites d'eau et du branchement électrique

### ⚠ AVERTISSEMENT

- Raccordement de l'alimentation en eau
  - Ne réutilisez pas de vieux tuyaux. Utilisez uniquement des tuyaux neufs lorsque vous installez le lave-vaisselle. Les tuyaux usagés pourraient fuir ou éclater, causant des inondations et des dommages matériels. Communiquez avec le centre d'information à la clientèle de LG pour obtenir de l'aide pour l'achat de tuyaux.

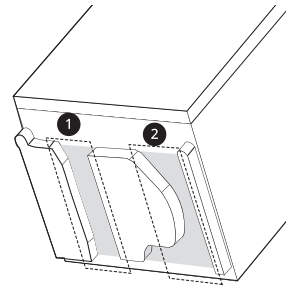
**⚠ AVERTISSEMENT**

- Branchement électrique
  - Utilisez un fusible temporisé ou un disjoncteur.
  - Utilisez cet appareil en respectant la tension électrique appropriée, comme il est indiqué dans ce manuel et sur la plaque signalétique.
  - Le câblage doit être correctement mis à la terre. En cas de doute, faites-le vérifier par un électricien qualifié.
  - Branchez l'appareil à l'aide d'un câble à trois fils, incluant un fil de mise à la terre.
  - L'appareil et la prise doivent être positionnés de sorte que la fiche est facilement accessible.
  - N'utilisez pas de rallonge électrique ni d'adaptateur avec ce lave-vaisselle.
  - Ne surchargez pas la prise de courant avec plus d'un appareil.
  - Les capuchons de connexion 16 AWG fournis doivent être utilisés.
  - Le propriétaire de l'appareil est responsable et tenu de faire installer une prise de courant adéquate par un électricien qualifié.

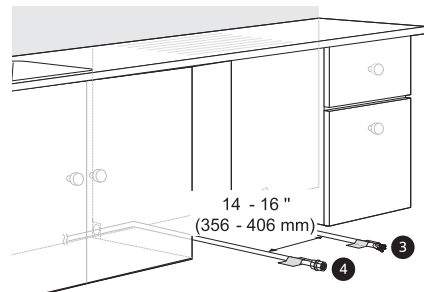
**⚠ MISE EN GARDE**

- Lors du raccordement des conduites d'eau du lave-vaisselle à la conduite d'eau du domicile, un ruban ou un composé couvre-joint doit être utilisé sur les filetages de tuyaux pour éviter les fuites. Ce ruban ou composé ne doit pas être utilisé sur les raccords à compression.
- Raccordez le lave-vaisselle à une source d'eau chaude dont la température se situe entre 120 °F (49 °C) et 149 °F (65 °C). Cette plage de température offre de meilleurs résultats de lavage et les durées de cycle les plus courtes. Pour éviter d'endommager les plats, la température ne doit pas dépasser 149 °F (65 °C).
- La pression des conduites d'eau doit se situer entre 20 et 80 psi (140 et 550 kPa). Si la pression des conduites d'eau est supérieure à 80 psi, un robinet réducteur de pression doit être installé, à défaut de quoi il peut s'ensuivre une défaillance prématurée de la vanne d'entrée.

- Comme le montre l'image ci-dessous, le canal ① est destiné à la conduite d'eau, et le canal ② au câble électrique.



- 1** Coupez l'alimentation en eau du domicile ainsi que le disjoncteur ou l'alimentation dédiée avant de brancher le lave-vaisselle.
- 2** Faites passer la conduite d'eau le long du sol à une distance de 165 mm à 197 mm (6 1/2 po à 7 3/4 po) du côté gauche de l'ouverture et fixez-la avec du ruban adhésif devant l'ouverture.
- 3** Faites passer le câble électrique ③ le long du sol à une distance de 356 mm à 406 mm (14 po à 16 po) de la conduite d'eau ④ et fixez-le avec du ruban adhésif.
  - La prise de courant doit se trouver à moins de 1,22 m (4 pi) de l'un ou l'autre des côtés du lave-vaisselle.
  - Le meilleur emplacement pour la conduite électrique est sur le côté droit de la paroi arrière. Réacheminez le câble électrique avant l'installation si la conduite électrique mesure plus de 76 mm (3 po) de long et est centrée sur la paroi arrière.

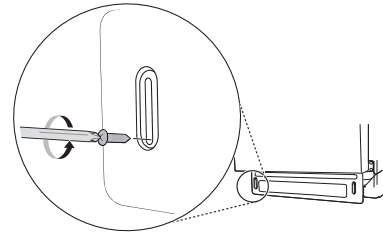
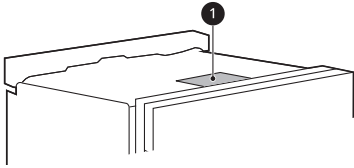
**Acheminement de la conduite d'eau et du câblage électrique**

Au fond du lave-vaisselle, deux canaux permettent d'acheminer la conduite d'eau et les connexions électriques.

## Préparer le lave-vaisselle

### ⚠ AVERTISSEMENT

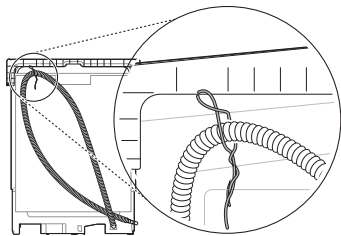
- Ne retirez pas le couvercle de sécurité ❶. Le non-respect de cette consigne peut entraîner un incendie, une décharge électrique ou la mort.



- 2 Retirez le couvercle inférieur.
- 3 S'il y a un rembourrage isolant à l'arrière du couvercle inférieur, retirez-le.
- 4 Mettez les pièces de côté jusqu'à la fin de l'installation.

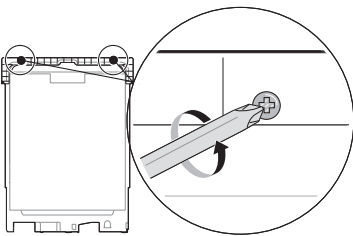
### Libération du tuyau de vidange

Enlevez l'attache torsadée qui maintient le tuyau de vidange à l'arrière de l'armature d'expédition.



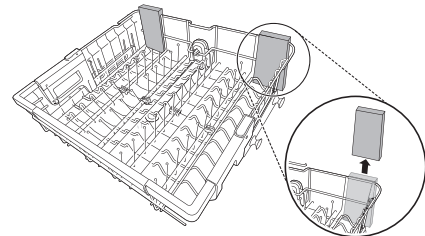
### Armature d'expédition amovible

L'armature d'expédition située à l'arrière peut être retirée si un espace de dégagement supplémentaire est nécessaire lors de l'installation du lave-vaisselle sous un comptoir bas.



### Retrait des matériaux d'emballage qui se trouvent à l'intérieur

Retirez tout le matériel d'emballage à l'intérieur du lave-vaisselle avant de l'installer.



### Retirer la paroi inférieure

#### ⚠ MISE EN GARDE

- Si vous couchez le lave-vaisselle sur le dos, faites-le avec prudence pour éviter d'endommager le tuyau de vidange et la cuve.

- 1 Retirez les vis latérales qui fixent le couvercle inférieur au lave-vaisselle.

### Fixation des supports d'installation

Pour les comptoirs de bois ou composés d'autres matériaux qui ne risquent pas d'être endommagés par le perçage, utilisez les supports d'installation en métal fournis.

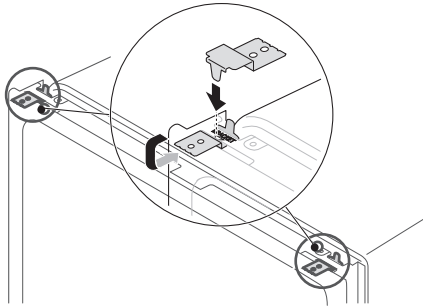
Pour les comptoirs de granite, de marbre ou composés d'autres matériaux qui risquent d'être endommagés par le perçage, utilisez les vis à bois pour fixer le lave-vaisselle à l'armoire. Voir les directives d'installation dans la section **Fixation sécuritaire du lave-vaisselle dans l'ouverture de l'armoire**.

#### REMARQUE

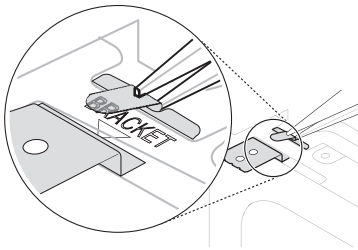
- Les supports et les vis d'installation peuvent également se trouver dans le panier à ustensiles.

- 1 Insérez dans les fentes du cadre supérieur l'extrémité des supports d'installation qui comporte une languette. Tournez les

supports jusqu'à ce que les extrémités à languette soient tournées vers le haut.



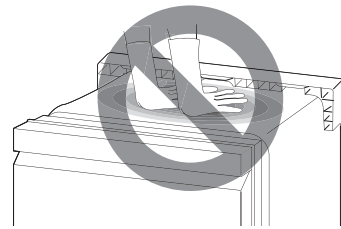
- 2** Pliez les languettes pour les fixer au cadre à l'aide d'une pince à bec effilé.



position; cela risque d'endommager le couvercle avant.



- Ne poussez pas le haut du lave-vaisselle; cela risque d'endommager l'intérieur de l'appareil.

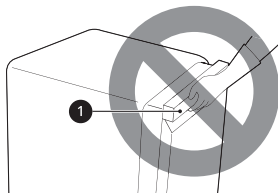


## Positionnement du lave-vaisselle dans l'ouverture de l'armoire

### Comment faire glisser le lave-vaisselle

#### ⚠ MISE EN GARDE

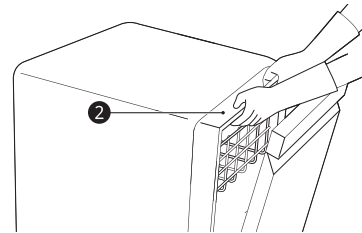
- Ne tirez pas ou ne soulevez pas le lave-vaisselle par la poignée **1**; cela risque d'endommager la porte et ses charnières.



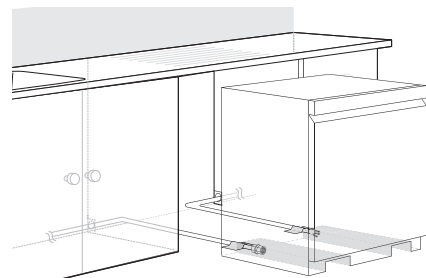
- Ne poussez pas sur la porte du lave-vaisselle avec les genoux lorsque vous le faites glisser en

#### REMARQUE

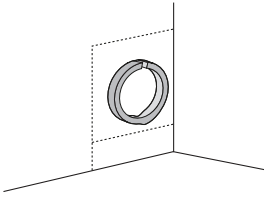
- Ouvrez la porte et saisissez le bâti de l'appareil et l'ouverture avant supérieure **2** de la cuve pour déplacer ou soulever le lave-vaisselle.



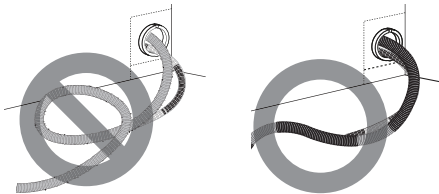
- 1** Alignez le lave-vaisselle avec l'ouverture. Assurez-vous que la conduite d'eau et le câble électrique peuvent glisser correctement dans leurs canaux.



- 2** Lissez ou rembourrez les bords du trou percé pour l'alimentation en eau afin de ne pas endommager le tuyau de vidange.

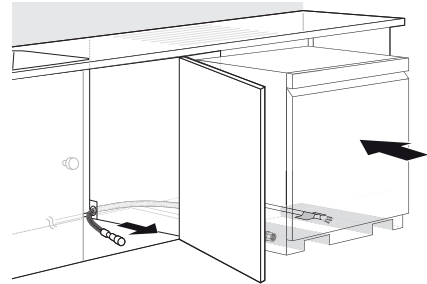


- 3** Assurez-vous que le tuyau de vidange est droit avant d'en faire passer l'extrémité dans le trou percé pour l'alimentation en eau. Pendant que vous faites glisser le lave-vaisselle dans l'ouverture, tirez lentement sur le tuyau de vidange à partir de l'intérieur de l'armoire pour enlever le jeu. Veillez à ne pas plier, pincer, écraser ou contraindre le tuyau de vidange pendant l'installation pour éviter les fuites et les dégâts d'eau.

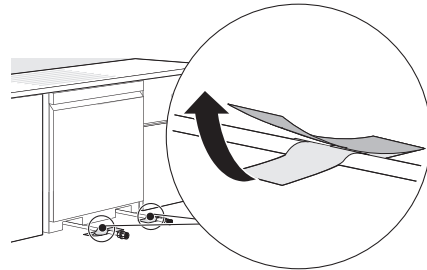


- 4** Faites glisser progressivement le lave-vaisselle dans l'ouverture en vous assurant que la conduite d'eau et le câble électrique passent librement dans les canaux et ne restent pas pris sous le lave-vaisselle.

pour enlever le jeu en tirant le tuyau de vidange plus loin dans l'armoire.



- 5** Enlevez le ruban adhésif de la conduite d'eau et du câble électrique.



## Raccordement de l'alimentation en eau et branchement électrique

### Raccordement de l'alimentation en eau

- 1** Après avoir coupé l'alimentation en eau du domicile, raccordez la conduite d'eau à la vanne d'entrée située à l'avant gauche du lave-vaisselle.

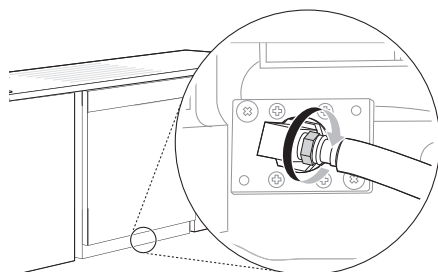
#### **⚠ MISE EN GARDE**

- Pour éviter les dysfonctionnements ou les fuites, il est important que le tuyau de vidange ne soit pas plié, pincé, contraint ou écrasé derrière ou sous le lave-vaisselle, ou à l'intérieur de l'armoire adjacente.
- Les dommages attribuables à une mauvaise installation ne sont pas couverts par la garantie.
  - Arrêtez de déplacer le lave-vaisselle à quelques reprises (ou demandez de l'aide)

#### **⚠ MISE EN GARDE**

- Évitez d'utiliser du ruban ou un produit d'étanchéité sur la vanne d'entrée du lave-vaisselle.

- 2** Serrez l'écrou à compression.



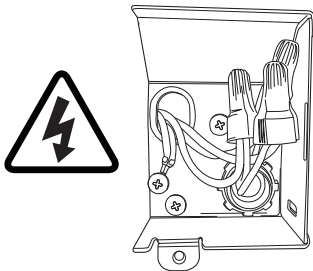
## 18 INSTALLATION

- 3** Faites glisser la conduite d'eau dans le canal, en tirant doucement depuis l'intérieur de l'armoire pour éviter que la conduite soit pliée, pincée, contrainte ou écrasée.

### Raccordement de l'alimentation électrique

Le lave-vaisselle doit être branché à un circuit de dérivation dédié avec mise à la terre, adapté à la configuration à 3 broches qui comprend le fil de terre.

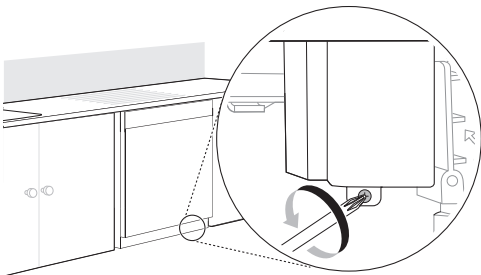
Si une source d'alimentation à 3 broches est utilisée, elle doit se trouver dans un endroit accessible à proximité du lave-vaisselle, à moins de 4 pi (1 220 mm) du côté du lave-vaisselle et non derrière le lave-vaisselle.



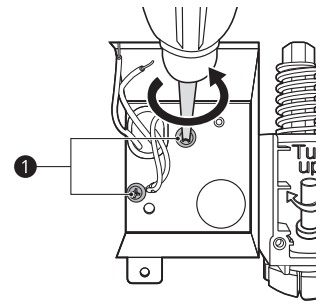
#### REMARQUE

- Le meilleur emplacement pour la conduite électrique est dans le côté droit de la paroi arrière. Réacheminez le câble électrique avant l'installation si la conduite électrique mesure plus de 3 po (76 mm) de long et est centrée sur le mur dans le fond de l'armoire.

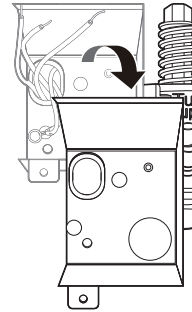
- 1** Coupez l'alimentation électrique de l'appareil en fermant le disjoncteur.
- 2** Utilisez un tournevis Philips pour retirer la vis du couvercle de la boîte de jonction et retirez le couvercle.



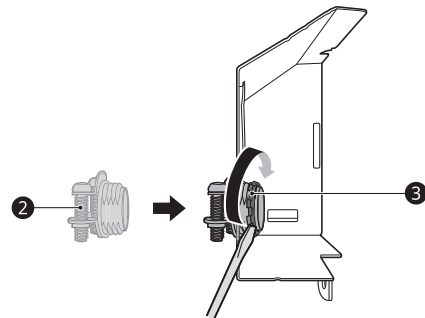
- 3** Utilisez un tournevis cruciforme pour enlever les deux vis **1**.



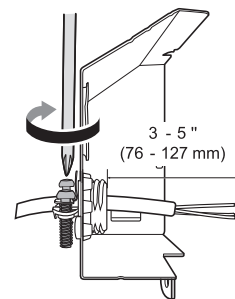
- 4** Enlevez la boîte de jonction de l'appareil.



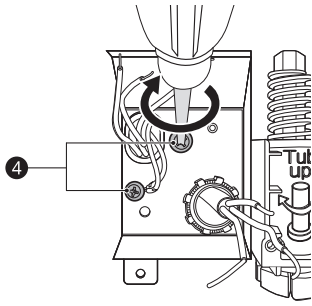
- 5** Insérez un serre-câbles **2** dans la boîte de jonction en le faisant passer par le trou. Serrez l'écrou à œil **3** pour le fixer.



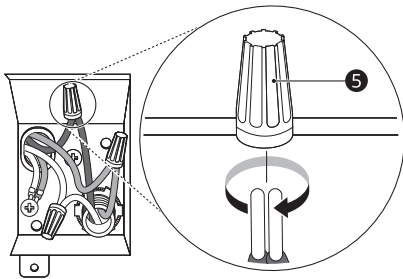
- 6** Insérez le câble électrique dans le trou du serre-câbles. Serrez les deux vis pour fixer le câble.



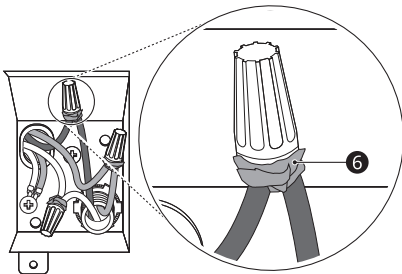
- 7** Tirez les fils existants par les ouvertures de la boîte de jonction. Serrez les deux vis **4** pour replacer la boîte de jonction dans l'appareil.



- 8** Reliez les fils blanc, noir et vert aux fils correspondants du lave-vaisselle, puis tournez fermement les capuchons de connexion fournis **5** pour connecter les fils correspondants.



- 9** Enroulez chaque connexion de ruban électrique **6**.



- 10** Repliez les fils connectés dans la boîte de jonction et vissez le couvercle de la boîte de jonction.

**⚠ AVERTISSEMENT**

- Vérifiez que le fil noir est chaud (120 V). Si ce n'est pas le cas, ou si vous n'êtes pas sûr de l'alimentation, faites vérifier l'appareil par un électricien autorisé.

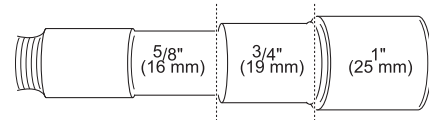
**⚠ MISE EN GARDE**

- Ne laissez pas de fil dénudé à l'air libre. Coupez le fil dénudé pour qu'il entre complètement à l'intérieur des capuchons de connexion.

## Raccordement du tuyau de vidange

Si l'extrémité du tuyau de vidange n'est pas adaptée à la conduite de vidange, utilisez un adaptateur résistant à la chaleur et au détergent (non fourni). Vous pouvez les obtenir d'un magasin de fourniture de plomberie de votre localité.

- Coupez l'adaptateur de façon à ce que l'extrémité corresponde à la taille du raccord de vidange.

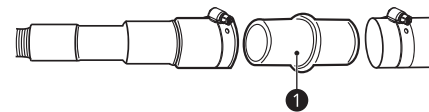


**REMARQUE**

- Pour l'installation du tuyau de vidange, utilisez le collier de serrage fourni avec le lave-vaisselle qui se trouve dans le panier à ustensiles.
- Si vous raccordez le tuyau de vidange du lave-vaisselle à un broyeur à déchets, assurez-vous de respecter les instructions d'installation fournies dans le manuel du broyeur.

## Exigences pour le tuyau de vidange

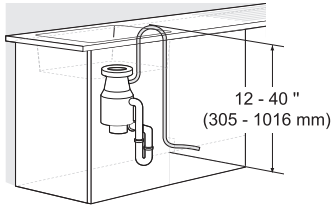
- Suivez les règlements des codes locaux et la réglementation en vigueur.
- Ne raccordez pas le tuyau à plus de 12 pieds (3,65 m) de la vidange.
- Ne raccordez pas de tuyaux de vidange d'autres appareils au tuyau de vidange du lave-vaisselle.
- S'il est nécessaire d'utiliser une rallonge de tuyau de vidange, utilisez un tuyau d'un diamètre intérieur de 5/8 po ou 7/8 po, d'une longueur de 2 à 3 pieds, ainsi qu'un coupleur **1** pour raccorder les deux extrémités du tuyau.



## Hauteur du tuyau de vidange

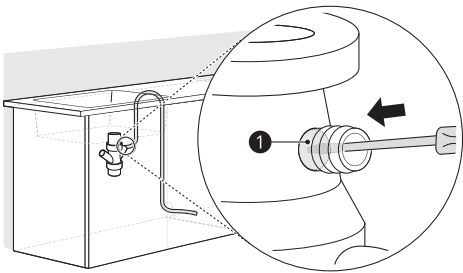
L'extrémité du tuyau de vidange doit être à une hauteur d'au moins 12 po (305 mm) et à moins de

40 po (1 016 mm) de la base du lave-vaisselle pour éviter que l'eau de la cuve ne soit siphonnée.



### Raccordement à un broyeur sans coupure antirefoulement

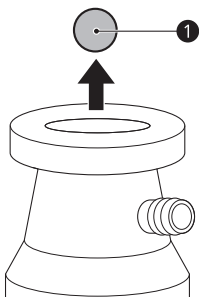
- 1 Retirez le bouchon du broyeur en l'enfonçant avec un marteau et un tournevis.



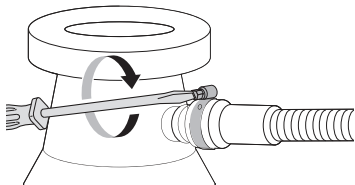
- 2 Retirez le bouchon du broyeur ①.

#### ⚠ MISE EN GARDE

- Si le bouchon du tuyau de vidange n'a pas été retiré, le lave-vaisselle ne pourra pas se vider correctement.



- 3 Raccordez le tuyau de vidange au broyeur à l'aide du collier de serrage fourni. Mettez ce dernier en position et serrez-le à l'aide d'un tournevis plat.



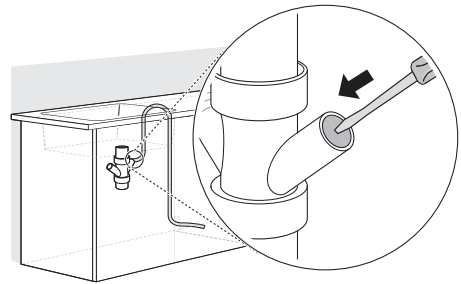
### Raccordement à un té de vidange sans coupure antirefoulement

L'extrémité du tuyau de vidange doit être à une hauteur d'au moins 12 po (305 mm) et à moins de 40 po (1 016 mm) de la base du lave-vaisselle pour éviter que l'eau de la cuve ne soit siphonnée.

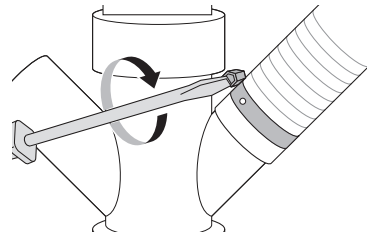
- 1 Retirez le bouchon en l'enfonçant avec un marteau et un tournevis.

#### ⚠ MISE EN GARDE

- Si le bouchon du tuyau de vidange n'a pas été retiré, le lave-vaisselle ne pourra pas se vider correctement.



- 2 Attachez le tuyau de vidange sur le raccord en T de vidange à l'aide du collier de serrage fourni. Mettez ce dernier en position et serrez-le à l'aide d'un tournevis plat.

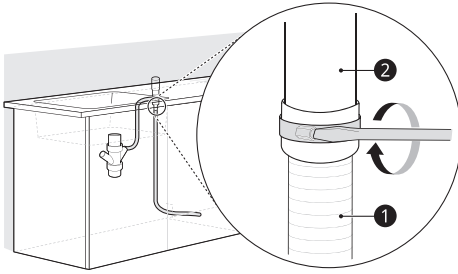


### Raccordement à un broyeur ou à un té de vidange avec coupure antirefoulement.

- 1 Retirez le bouchon en l'enfonçant avec un marteau et un tournevis.

- 2 Raccordez l'extrémité du tuyau de vidange ① au broyeur sans coupure antirefoulement ② à l'aide du collier de serrage fourni. Mettez ce dernier en position et serrez-le à l'aide d'un tournevis plat.

- Cela permettra d'éviter que l'eau soit siphonnée hors de la cuve.



- 3** Si cela n'est pas déjà fait, fixez le raccord de tuyau en caoutchouc au té de vidange ou au té du broyeur à déchets à l'aide d'un collier de serrage (non fourni).

## Mise de niveau du lave-vaisselle

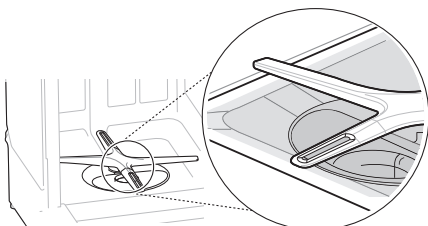
Vérifiez que le lave-vaisselle est de niveau et ajustez les pieds de nivellement si nécessaire.

### ⚠ MISE EN GARDE

- Un lave-vaisselle qui n'est pas de niveau peut présenter des fuites, des problèmes de fermeture de la porte ou du bruit.
- Lorsque l'ouverture de l'armoire est plus étroite que ce qui est recommandé (voir la section **Préparation de l'ouverture de l'armoire**), veillez à soigneusement niveler et aligner le lave-vaisselle de façon à ce qu'il soit entièrement soutenu par les trois pieds de mise à niveau et qu'il ne pende pas par les supports. Le non-respect de cette consigne pourrait entraîner des fuites d'eau à l'avant du lave-vaisselle, l'affichage d'erreurs RE, des problèmes de fermeture de la porte ou le non-fonctionnement de l'appareil.

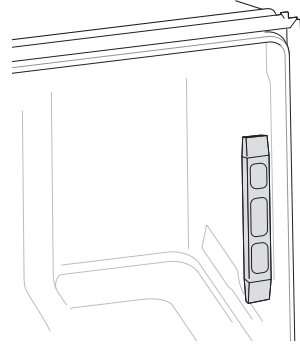
## Vérification du nivellement

Pour vérifier que la cuve est de niveau en profondeur, retirez le panier inférieur et versez 169 oz (5 L) d'eau dans le fond de la cuve. Le niveau d'eau devrait être près du centre des deux entailles inférieures de la cuve, à l'avant.

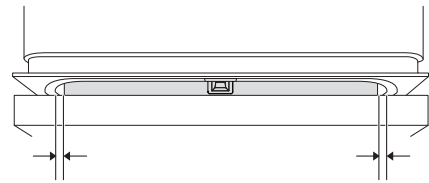


Après avoir enlevé le panier inférieur, placez un niveau sur la paroi intérieure de la cuve pour vérifier que le lave-vaisselle est de niveau en largeur.

- Si vous n'avez pas de niveau, essayez plutôt d'utiliser l'application de niveau de votre téléphone intelligent.



Assurez-vous que l'espace entre les parois de la cuve et le revêtement de porte est le même de chaque côté.



## Réglage des pieds de nivellement

Ajustez les pieds de nivellement au besoin jusqu'à ce que le lave-vaisselle soit complètement de niveau.

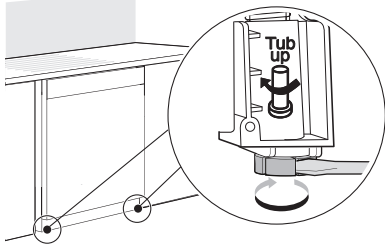
- Réglez la hauteur des pieds de nivellement avant et arrière afin qu'ils soient tous fermement en contact avec le sol. Si le lave-vaisselle n'est pas de niveau, la porte pourrait ne pas se fermer correctement, ce qui empêchera le démarrage de l'appareil.

## Réglage des pieds de nivellement avant

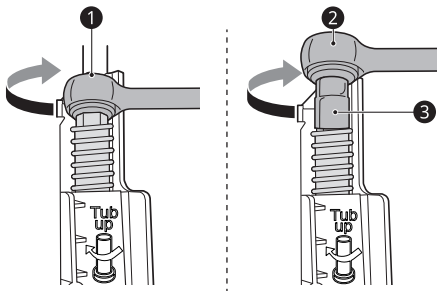
Utilisez un tournevis plat pour régler les pieds de nivellement avant et régler la hauteur de l'avant de l'appareil.

- Faites tourner les pieds de nivellement avant dans le sens des aiguilles d'une montre pour

soulever l'avant de l'appareil et dans l'autre sens pour l'abaisser.



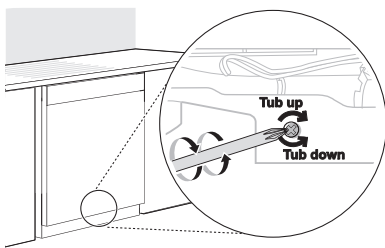
- Le réglage se fait de façon identique pour les deux pieds de nivellement avant.
- Si vous ne disposez pas d'un tournevis plat, utilisez une clé à tête carrée de ¼ po ① ou une clé à tête carrée de ⅜ po ② et une douille de ½ po ③ pour tourner les pieds de nivellement avant et régler la hauteur de l'avant de l'appareil.



### Réglage des pieds de nivellement arrière

Utilisez un tournevis Philips pour régler les pieds de nivellement arrière en utilisant la vis centrale à la base de l'appareil, à l'avant.

- Faites tourner la vis centrale dans le sens des aiguilles d'une montre pour soulever l'arrière de l'appareil et dans l'autre sens pour l'abaisser.



### REMARQUE

- Pour éviter d'endommager la vis, ne vous servez pas d'un tournevis électrique.

## Fixation du lave-vaisselle dans l'ouverture de l'armoire

Deux options permettent de sécuriser le lave-vaisselle. Si le comptoir est fait de bois ou d'un matériau qui peut être percé sans danger, fixez le lave-vaisselle au comptoir à l'aide des supports fournis. Si le comptoir est fait de granite, de marbre ou d'un matériau qui ne peut être percé, fixez le lave-vaisselle au cadre de l'armoire avec les vis à bois fournies.

### ⚠ MISE EN GARDE

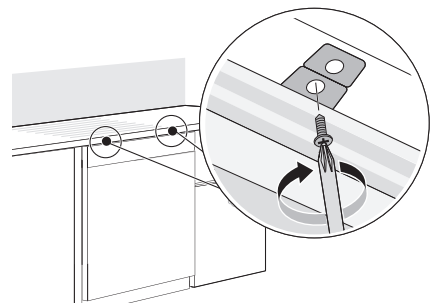
- Assurez-vous que le lave-vaisselle est de niveau et que tous les pieds de nivellement sont fermement en contact avec le sol avant de fixer le lave-vaisselle au comptoir ou à l'armoire. Si l'appareil n'est pas de niveau, la porte pourrait ne pas se fermer correctement ou des fuites d'eau pourraient se produire.

### REMARQUE

- Les supports et les vis d'installation peuvent également se trouver dans le panier à ustensiles.
- Utilisez un tournevis magnétique.
- Couvrez l'orifice du filtre avec des serviettes pour éviter que les vis tombent dans la pompe.

## Fixation sécuritaire du lave-vaisselle au comptoir

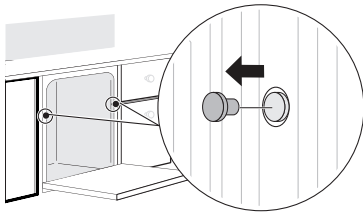
Utilisez les vis de fixation fournies pour fixer les supports du haut du lave-vaisselle à la face inférieure du comptoir en bois.



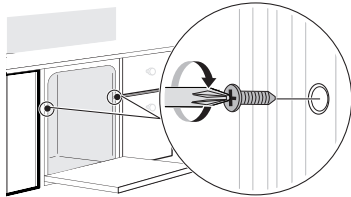
## Fixation du lave-vaisselle au cadre de l'armoire

Si vous le souhaitez, vous pouvez également fixer le lave-vaisselle au cadre de l'armoire en respectant les instructions suivantes.

- 1** Retirez les 2 capuchons en plastique des trous d'accès du support de montage.



- 2** Insérez une vis à bois dans le support d'installation et dans le cadre de l'armoire.



- 3** Réinstallez les capuchons en plastique.

### Feuille insonorisante

Si votre modèle a été livré avec une feuille insonorisante, suivez maintenant les instructions fournies pour installer la feuille. Cependant, attendez la dernière vérification de l'installation pour installer le rembourrage isolant et le couvercle inférieur.

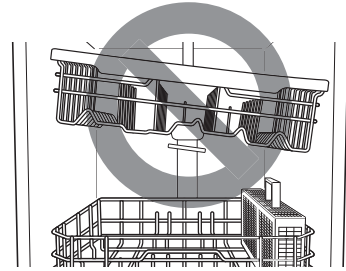
## Dernière vérification de l'installation

### Mise à l'essai du lave-vaisselle

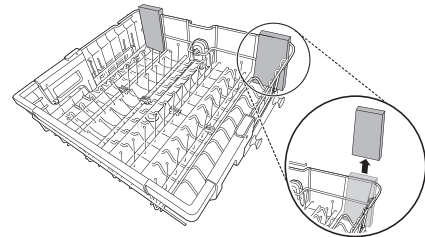
Vérifiez que le lave-vaisselle est bien installé.

- 1** Mettez le disjoncteur sous tension.
- 2** Ouvrez l'alimentation en eau du domicile.
- 3** Assurez-vous que la porte s'ouvre et se ferme en douceur.
  - Si nécessaire, mettez de nouveau le lave-vaisselle de niveau.

- Si la porte ne se ferme pas, assurez-vous que le panier est de niveau.



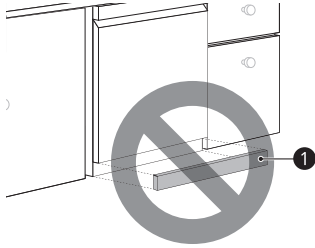
- Assurez-vous que tous les matériaux d'emballage ont été retirés.



- 4** Mettez le lave-vaisselle en marche et démarrez un cycle **1 Hour (1 Heure)** pour vérifier le bon fonctionnement.
- 5** Vérifiez l'étanchéité du tuyau de vidange et du raccord d'alimentation en eau.
- 6** En cas de fuite d'eau, appuyez sur le bouton **START (Démarrage)** et maintenez-le enfoncé pendant 3 secondes pour annuler le cycle de lavage et vider automatiquement l'eau du lave-vaisselle. Resserrez tous les raccords d'eau et effectuez un autre cycle. Répétez l'opération jusqu'à ce qu'aucune fuite ne soit détectée.
- 7** Remplacez le couvercle inférieur.

**⚠ MISE EN GARDE**

- N'installez que la paroi inférieure fournie avec le lave-vaisselle. N'installez pas les plinthes des armoires, ❶ car cela pourrait produire du bruit et causer des fuites.



**Codes d'erreur lors de la vérification de l'installation**

Consultez le tableau ci-dessous avant d'effectuer un appel de service.

Code d'erreur	Cause possible et solution
I E	<p><b>Le tuyau d'alimentation en eau est plié sous le lave-vaisselle.</b></p> <ul style="list-style-type: none"> <li>• Faites passer les tuyaux de vidange et d'entrée d'eau par le trou sous l'évier. Glissez ensuite le lave-vaisselle doucement dans l'armoire, tout en tirant sur les tuyaux sous l'évier pour éviter d'avoir du jeu. Cela empêche les tuyaux de se plier ou de se retrouver coincés sous le lave-vaisselle.</li> </ul> <p><b>Le robinet d'alimentation en eau du domicile est fermé.</b></p> <ul style="list-style-type: none"> <li>• Ouvrez le robinet.</li> </ul>

Code d'erreur	Cause possible et solution
QE	<p><b>Le tuyau de vidange est plié ou pincé.</b></p> <ul style="list-style-type: none"> <li>• Faites passer les tuyaux de vidange et d'entrée d'eau par le trou sous l'évier. Glissez ensuite le lave-vaisselle doucement dans l'armoire, tout en tirant sur les tuyaux sous l'évier pour éviter d'avoir du jeu. Cela empêche les tuyaux de se plier ou de se retrouver coincés sous le lave-vaisselle.</li> </ul> <p><b>Le tuyau de vidange a été raccordé au broyeur à déchets sans que le bouchon ait été enlevé.</b></p> <ul style="list-style-type: none"> <li>• Retirez le bouchon du broyeur.</li> </ul> <p><b>Le té de vidange ou le broyeur est obstrué.</b></p> <ul style="list-style-type: none"> <li>• Enlevez le bouchon sur le té de vidange ou sur le broyeur à déchets.</li> </ul>

# FONCTIONNEMENT

## Avant l'utilisation

### ⚠ AVERTISSEMENT

- Pour réduire le risque d'incendie, de décharge électrique ou de blessures, lisez les **DIRECTIVES DE SÉCURITÉ** avant d'utiliser cet appareil.

### REMARQUE

- Raccordez le lave-vaisselle à la source d'eau chaude seulement. La température de la source d'eau doit être d'au minimum 120 °F (49 °C) pour un lavage optimal et un temps de cycle plus court.
- Suivez les consignes relatives au chargement du lave-vaisselle afin d'assurer un nettoyage efficace.
- Retirez les éléments insolubles tels que les os, les cure-dents et les morceaux de papier pendant le chargement du lave-vaisselle.

## Démarrage rapide

### 1 Chargez les plats.

- Tirez chaque panier et insérez les plats comme décrit dans ce manuel.
- N'insérez que des objets lavables au lave-vaisselle.
- Retirez des plats tout reste d'aliment, os et autres résidus solides et non solubles. Retirez les éléments solides et les résidus cuits restés sur les plats avant de les charger dans le lave-vaisselle.
- Placez les objets à fond creux en position inclinée pour permettre à l'eau de s'écouler et faciliter le séchage.
- Ne chargez pas d'articles non résistants à la chaleur ou ornés de bordures métalliques.

### 2 Ajoutez le détergent.

- En respectant les directives de ce manuel, remplissez le verre de la quantité recommandée de détergent et refermez le couvercle. Si vous désirez effectuer un pré-lavage, remplissez également le bac situé sur le couvercle.

### 3 Allumez le lave-vaisselle.

- Pour allumer le panneau d'affichage, appuyez sur le bouton **Mise sous tension**.

### 4 Vérifiez le produit de rinçage

- Le voyant à DEL **Rinse Aid Refill (Regarnir produit de rinçage)** clignotera si le niveau de produit de rinçage du lave-vaisselle est

faible. Ajoutez du produit de rinçage si le niveau est faible, afin de maintenir l'efficacité du cycle de séchage.

### 5 Sélectionnez le cycle et les options

- Sélectionnez le cycle et les options qui correspondent le mieux à la charge, en vous reportant au **guide sur la sélection du cycle**. L'écran affichera le temps estimé pour le cycle et les options choisies.

### 6 Faites fonctionner le lave-vaisselle.

#### • Méthode 1

- Appuyez sur le bouton **START (Démarrage)**, puis fermez la porte dans un délai de quatre secondes pour faire fonctionner le lave-vaisselle. Si la porte n'est pas fermée dans ce délai, le voyant à DEL blanche indiquant le temps se met à clignoter, une tonalité se fait entendre et le cycle ne démarre pas.

#### • Méthode 2

- Refermez d'abord la porte et appuyez ensuite sur le bouton **START (Démarrage)** pour faire fonctionner le lave-vaisselle.

### REMARQUE

- Si la porte est ouverte durant le cycle, le lave-vaisselle s'arrêtera. Pour reprendre le cycle, voir les méthodes 1 et 2 ci-dessus.

### REMARQUE

- Si la porte est ouverte durant le cycle et n'est pas refermée dans un délai de quatre secondes après la sélection du bouton **START (Démarrage)**, ou si vous refermez la porte sans appuyer sur le bouton **START (Démarrage)**, le voyant à DEL blanche indiquant le temps se met à clignoter, une tonalité se fait entendre et le cycle ne démarre pas.
- 

### 7 Fin du cycle.

- Lorsque le cycle est terminé, une alarme retentit et l'écran affiche **End** jusqu'à ce que la porte soit ouverte ou que l'on appuie sur le bouton **Mise sous tension**. Pour activer ou désactiver l'écran **End**, reportez-vous à la section **Utilisation du mode de réglage des options**.
- Il est normal que le lave-vaisselle émette un signal sonore en continu si vous ouvrez la porte pendant son fonctionnement ou juste après la fin du cycle. Le lave-vaisselle vous avertit que la température à l'intérieur de l'appareil est très chaude et de faire attention lorsque vous accédez à l'intérieur. Lorsque l'appareil aura refroidi, le signal sonore s'arrêtera.

### MISE EN GARDE

- N'ouvrez pas la porte pendant le fonctionnement ou immédiatement après la fin du cycle de lavage, car la vapeur qui s'échappe pourrait causer des brûlures au moment de l'ouverture de la porte.
- 

### REMARQUE

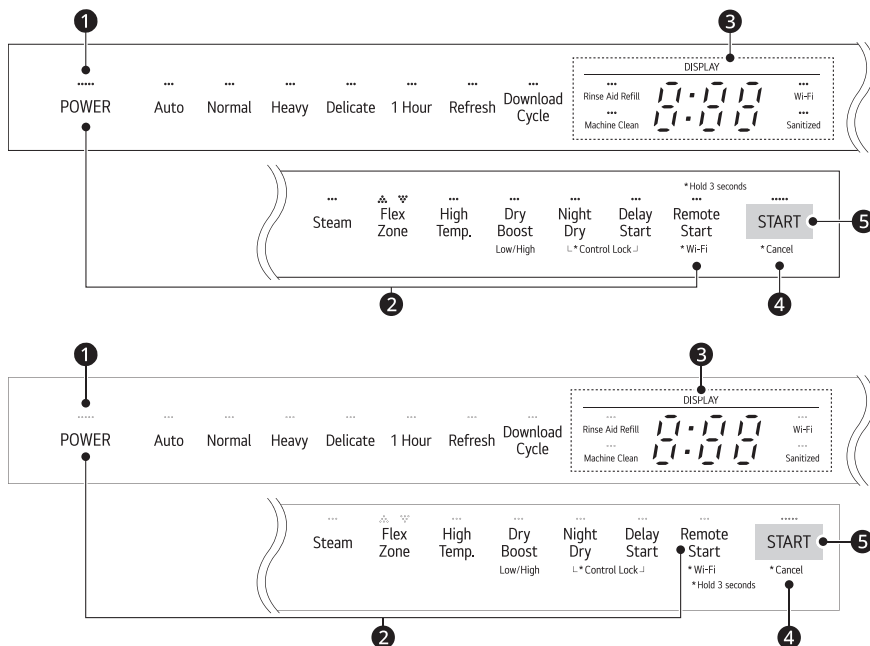
- Videz d'abord le panier inférieur, puis le panier supérieur. Cela évitera que de l'eau dégoutte depuis le panier supérieur sur les plats du panier inférieur.
- 

### Auto-Off

Le lave-vaisselle s'éteint automatiquement après quatre minutes d'inactivité s'il est mis en pause ou si aucun cycle ne démarre.

# Panneau de commande

## Caractéristiques du panneau de commande



### 1 Bouton Mise sous tension

- Appuyez sur ce bouton pour allumer ou éteindre la laveuse.
- Une fois que le cycle est terminé, le lave-vaisselle se met automatiquement hors tension aux fins de sécurité et d'économie.
- En cas de surtension, de panne de courant ou d'interruption de toute sorte, l'alimentation est automatiquement coupée pour des raisons de sécurité.
- Lorsque l'alimentation est raccordée de nouveau, le lave-vaisselle se rallume automatiquement et le cycle reprend.

### 2 Mode de réglage des options

- Vous pouvez ajuster plusieurs options à l'aide du **mode de réglage des options**.
- Lorsque l'appareil est éteint, appuyez simultanément sur **Mise sous tension** et **Remote Start (Département à distance)** pour accéder au **mode de réglage des options**.
- Reportez-vous à la section **Utilisation du mode de réglage des options** pour connaître toutes les fonctions du **mode de réglage des options**.

### 3 Affichage

- **Rinse Aid Refill (Regarnir produit de rinçage)**
  - Ce voyant à DEL s'illumine lorsque le niveau d'agent de rinçage est bas. Le voyant à DEL s'éteint automatiquement si le distributeur d'agent de rinçage est rempli ou si le niveau est réglé à 0.
  - Pour régler le niveau de l'agent de rinçage, reportez-vous à la section **Utilisation du mode de réglage des options**.
- **Machine Clean (Nettoyage de l'appareil)**
  - Le voyant à DEL **Machine Clean (Nettoyage de l'appareil)** clignote tous les 30 cycles. Pour savoir comment activer ou désactiver le voyant, reportez-vous à la section **Utilisation du mode de réglage des options**.

- **8:88 : Affichage numérique**

- L'affichage numérique sur le panneau de contrôle indique le temps de cycle ESTIMÉ. Lorsque le cycle et les options sont sélectionnés, l'écran indique le temps total estimé pour effectuer ces programmes. En cours de fonctionnement, l'écran indique le temps de programme restant.

---

### REMARQUE

- Le temps estimé indiqué à l'écran ne comprend pas les délais de chauffage de l'eau, notamment.
- Si l'option **Delay Start (Démarrage programmé)** est sélectionnée, l'écran indique les heures avant le démarrage programmé.
- La durée du cycle peut varier en fonction du niveau de saleté de votre vaisselle.

---

- **EL : Control Lock (Verrouillage des commandes)**

- La fonction **Control Lock (Verrouillage des commandes)** permet d'empêcher que les réglages ne soient modifiés en cours de cycle. Lorsque cette fonction est activée, tous les boutons du panneau de contrôle sont verrouillés, sauf le bouton **Mise sous tension**. Cette fonction ne verrouille pas la porte.
- Lorsqu'un cycle est en cours, appuyez simultanément sur les boutons **Night Dry (Séchage de nuit)** et **Delay Start (Démarrage programmé)** et maintenez-les enfoncés pendant trois secondes pour activer ou désactiver le verrouillage de sécurité **Control Lock (Verrouillage des commandes)**.
- Pour démarrer un nouveau cycle, désactivez la fonction **Control Lock (Verrouillage des commandes)**.

- **Sanitized (Désinfection)**

- Si l'option **Steam (Vapeur)** est ajoutée à un cycle, l'indicateur Sanitized (désinfection) demeure allumé à la fin du cycle si la vaisselle a été correctement désinfectée (sauf au cycle **Refresh (Rafraîchissement)**).

- **Wi-Fi**

- Ce voyant à DEL s'illumine si l'appareil est connecté à Internet par l'entremise d'un réseau Wi-Fi.
- Maintenez la touche **Remote Start (Démarrage à distance)** enfoncée pendant environ trois secondes pour connecter l'appareil au réseau.

#### ④ Bouton Cancel (Annuler)

- La pompe de vidange s'active et le cycle s'annule. Une fois l'eau évacuée, le lave-vaisselle se met hors tension.
- Maintenez le bouton **START (Démarrage)** enfoncé pendant trois secondes pour activer le réglage.

#### ⑤ Bouton START (Démarrage)

- Pour faire fonctionner l'appareil, vous pouvez appuyer sur **START (Démarrage)** et fermer la porte dans les quatre secondes qui suivent ou fermer la porte et appuyer sur **START (Démarrage)**.
- Un signal d'alerte sera émis lorsque la porte n'est pas fermée dans les quatre secondes suivant la pression du bouton **START (Démarrage)**.

## Cycles de lavage

Sélectionnez le cycle que vous désirez.

### Auto

Ce cycle détecte la quantité de saleté et sa résistance et est optimisé pour obtenir le meilleur nettoyage.

### Normal

Ce cycle convient à une utilisation quotidienne, régulière ou habituelle pour laver un chargement complet de vaisselle normalement sale. L'option **Dry Boost (Séchage extra) Faible** est recommandée pour une efficacité énergétique optimale. Sélectionnez l'option **Night Dry (Séchage de nuit)** si vous laissez de la vaisselle dans l'appareil pendant toute la nuit.

- Après la fin du cycle, le ventilateur fonctionne pendant une heure pour aider à éliminer l'air chaud et humide qui se trouve dans la cuve. Vous pouvez arrêter le ventilateur en ouvrant la porte après la fin du cycle.

## Heavy (Intensif)

Ce cycle convient à la vaisselle très sale ainsi qu'à la vaisselle dont la saleté a durci. Ce cycle est réglé par défaut à la puissance de vaporisation maximale et l'utilise pour laver la vaisselle très sale.

## Delicate (Délicat)

Utilisez ce cycle pour nettoyer efficacement les objets délicats tels que la porcelaine et les verres à pied.

## 1 Hour (1 Heure)

Ce cycle permet de nettoyer et de sécher la vaisselle légèrement sale en une heure.

- Ce cycle propose un séchage chauffé. Pour améliorer les résultats de séchage, ajoutez du temps de séchage en sélectionnant l'option **Dry Boost (Séchage extra)**.

## Refresh (Rafraîchissement)

Ce cycle rafraîchit et réchauffe la vaisselle qui n'a pas été utilisée depuis longtemps.

- N'utilisez pas de détergent lorsque vous utilisez ce cycle.
- L'option de production de vapeur ne peut être désactivée pour ce cycle.

## Download Cycle (Téléchargement d'un cycle)

Utilisez un cycle dédié téléchargeable par Wi-Fi ou NFC. Vous devez installer l'application pour téléphone intelligent LG ThinQ pour télécharger des cycles autres que le cycle par défaut **Machine Clean (Nettoyage de l'appareil)**.

### REMARQUE

- Seul le code de cycle pour le cycle téléchargé en cours s'affiche sur l'appareil. Consultez l'application pour téléphone intelligent pour connaître les codes et les noms de cycles, et

pour obtenir de plus amples renseignements sur les cycles offerts.

### - Cycle par défaut : P1-**Machine Clean (Nettoyage de l'appareil)**

- Machine Clean (Nettoyage de l'appareil) (P1)**  
Ce cycle sert à nettoyer l'intérieur du lave-vaisselle. Utilisez le cycle sans mettre de vaisselle dans l'appareil. Il élimine les résidus de saletés, les odeurs, les taches blanches et autres impuretés. Ajoutez de l'acide citrique ou un autre agent nettoyant pour plus d'efficacité.
- Express (P2)**  
Ce cycle lavera rapidement la vaisselle peu souillée.  
- Ce cycle ne comporte pas d'option de séchage.
- Rinse (Rinçage) (P3)**  
Ce cycle procède à un rinçage rapide pour les plats qui ne vont pas être lavés immédiatement. Ce cycle rince les plats sales pour ramollir les dépôts séchés. Le rinçage des plats permet d'éviter les mauvaises odeurs dans le lave-vaisselle. Ne pas utiliser de détergent.  
- Ce cycle ne comporte pas d'option de séchage.
- Casseroles et poêles (P4)**  
Nettoie les ustensiles de cuisine très sales. Plus besoin de frotter les poêles et les casseroles à la main.
- Casseroles (P5)**  
Nettoie la vaisselle grasseuse et très sale. Les casseroles en ressortent propres.
- Verrerie (P6)**  
Lave les verres délicats en toute sécurité et les rend étincelants.
- Lavage de nuit (P7)**  
Lave silencieusement la vaisselle durant la nuit. Dormez sur vos deux oreilles en sachant que la vaisselle sera propre le lendemain matin.

## Autres options et fonctionnalités

Sélectionnez le cycle désiré, puis sélectionnez les options pour celui-ci.

### Steam (Vapeur)

Cette option ajoute de la vapeur au début du cycle pour améliorer les performances de lavage.

Si l'option **Steam (Vapeur)** est ajoutée à un cycle, l'indicateur **Sanitized (Désinfection)** demeure allumé à la fin du cycle si la vaisselle a été

correctement désinfectée (excepté pour le cycle **Refresh (Rafrâichissement)**). Si le lave-vaisselle n'a pas pu désinfecter correctement la vaisselle parce que l'option **Steam (Vapeur)** n'a pas été sélectionnée, le cycle a été interrompu ou l'eau n'a pas pu être chauffée à la température requise, l'indicateur ne s'allumera pas à la fin du cycle. Ouvrez et fermez la porte ou appuyez sur **Mise sous tension** pour éteindre l'indicateur.

### REMARQUE



- Le rinçage à température élevée permet de désinfecter la vaisselle conformément à la norme NSF/ANSI 184 relative aux lave-vaisselle résidentiels. Les lave-vaisselle résidentiels certifiés ne sont pas conçus pour être utilisés dans les établissements de restauration autorisés. Seuls les cycles de désinfection ont été conçus pour respecter toutes les exigences relatives à l'élimination de la saleté et à l'efficacité de la désinfection. Les cycles d'un appareil certifié n'ont pas été conçus, directement ou indirectement, pour réussir le test de rendement de la désinfection.

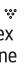
### Utilisation de la Zone flexible

Cette option permet d'ajuster l'intensité du lavage pour cibler différentes zones à l'intérieur du lave-vaisselle. Réglez-la pour laver uniquement le panier supérieur ou le panier inférieur, ou réglez l'intensité à douce pour le bras de lavage supérieur et à forte pour le bras de lavage inférieur.

La **Flex Zone (Zone Flexible)** est désactivée par défaut. Appuyez sur le bouton **Flex Zone (Zone Flexible)** pour personnaliser les réglages.

- Appuyez plusieurs fois sur le bouton **Flex Zone (Zone Flexible)** pour sélectionner l'un des trois modes.

Mode	Description
 Flex Zone	Conditions diverses <ul style="list-style-type: none"> <li>Pour obtenir des résultats optimaux, placez la vaisselle très sale, comme les assiettes et les bols, dans le panier inférieur et la vaisselle légèrement sale, comme les tasses, dans le panier supérieur.</li> </ul>
 Flex Zone	Petites charges légèrement sales <ul style="list-style-type: none"> <li>Utilisez uniquement le panier supérieur pour économiser de l'énergie et du temps.</li> </ul>

Mode	Description
 Flex Zone	Petites charges très sales <ul style="list-style-type: none"> <li>Utilisez uniquement le panier inférieur pour économiser de l'énergie et du temps.</li> </ul>

### High Temp. (Température élevée)

Augmente la température de lavage principale pour augmenter l'efficacité du nettoyage.

### Dry Boost (Séchage extra)

Sélectionnez l'option **Dry Boost (Séchage extra)** pour une meilleure performance de séchage. Cette option ajoute du temps de séchage avec chaleur au cycle pour des résultats de séchage optimaux.

Mode	Description
<b>Dry Boost (Séchage extra) Faible</b>	Appuyez sur la touche <b>Dry Boost (Séchage extra)</b> une fois, pour une efficacité énergétique optimale.
<b>Dry Boost (Séchage extra) Élevé</b>	Appuyez sur la touche <b>Dry Boost (Séchage extra)</b> deux fois, pour des résultats de séchage optimaux.
<b>Dry Boost (Séchage extra) Désactivé</b>	Appuyez sur la touche <b>Dry Boost (Séchage extra)</b> trois fois pour désactiver l'option <b>Dry Boost (Séchage extra)</b> .

- Si le distributeur de produit de rinçage est vide, l'option **Dry Boost (Séchage extra) Faible** est automatiquement ajoutée à tous les cycles (sauf pour le cycle **Normal de 1 Hour (1 Heure)**), à moins que le réglage du distributeur de produit de rinçage soit réglé à « L0 ».

### Night Dry (Séchage de nuit)

La vaisselle est souvent laissée dans le lave-vaisselle toute la nuit après la fin du cycle. Cela peut faire en sorte que la vapeur à l'intérieur de la cuve se condense sur la vaisselle, la laissant mouillée. Cette option fait fonctionner le ventilateur périodiquement pour aider à évacuer la vapeur de la cuve.

- Pour tous les cycles où l'option **Night Dry (Séchage de nuit)** est offerte, celle-ci est sélectionnée par défaut, sauf dans le cas du cycle **Normal**.

## Delay Start (Démarrage programmé)

Cette fonction vous permet de différer le démarrage d'un cycle sélectionné. Chaque fois qu'on appuie sur le bouton **Delay Start (Démarrage programmé)**, le délai avant le démarrage augmente d'une heure. Le délai avant le démarrage peut être réglé entre 1 et 12 heures, par incréments d'une heure.

## Remote Start (Démarrage à distance)

Utilisez un téléphone intelligent pour commander votre appareil à distance. Vous pouvez également suivre la progression du cycle et connaître le temps restant avant la fin du cycle. Une fois cette fonction activée, vous pouvez lancer un cycle à l'aide de l'application sur votre téléphone intelligent. Si la porte n'est pas fermée dans les quatre secondes suivant la pression du bouton **Remote Start (Démarrage à distance)**, la fonction de démarrage **Remote Start (Démarrage à distance)** sera annulée.

## Guide des options et des cycles

Le guide de cycle ci-dessous affiche les réglages par défaut et les options disponibles pour chaque cycle.

Cycle		Auto	Normal	Heavy (Intensif)	Delicate (Délicat)	1 Hour (1 Heure)	Refresh (Rafraîchissement)
<b>Niveau de saleté</b>		Tous les degrés	Tous les degrés	Heavy (Intensif)	Peu sales	Peu sales	Peu sales
Utilisation de l'eau	(L)	13,2 - 23,7	9,2 - 29,2	23,9 - 27,0	16,6 - 21,7	18,1	8,0
	(gal)	3,5 - 6,3	2,4 - 7,7	6,3 - 7,1	4,4 - 5,7	4,8	2,1
Temps de lavage avec options (min)		107 - 235	109 - 220	167 - 231	110 - 175	60 - 105	57 - 107
Options disponibles	<b>Steam (Vapeur)</b>	●	●	●*	●*		●**
	<b>Flex Zone (Zone Flexible)</b>	●	●	●			
	<b>High Temp. (Température élevée)</b>	●	●	●		●	
	<b>Dry Boost (Séchage extra)</b>	●	●	●	●	●	●
	<b>Night Dry (Séchage de nuit)</b>	●*	●	●*	●*	●*	●*
	<b>Delay Start (Démarrage programmé)</b>	●	●	●	●	●	●

\* Réglage par défaut

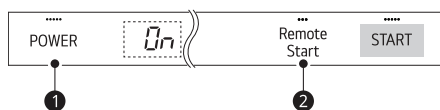
\*\* Cette option ne peut pas être désactivée.

## REMARQUE

- La consommation réelle d'eau variera selon le niveau de saleté et la dureté de l'eau.
- Le temps de fonctionnement et le temps de cycle effectifs affichés peuvent varier en fonction de l'option choisie, le niveau du sol, la température de l'eau et la dureté de l'eau. Par conséquent, le temps d'affichage et le temps de fonctionnement effectif peuvent être différents.
- Aucune option n'est proposée pour le cycle **Download Cycle (Téléchargement d'un cycle)**. Le cycle **Machine Clean (Nettoyage de l'appareil)** est le cycle téléchargé **Download Cycle (Téléchargement d'un cycle)** par défaut.

## Utilisation du mode de réglage des options

Vous pouvez ajuster plusieurs options à l'aide du **mode de réglage des options**.



- 1 Assurez-vous que l'appareil est éteint.
- 2 Appuyez simultanément sur les boutons **Mise sous tension** ① et **Remote Start (Démarrage à distance)** ② pour accéder au **mode de réglage des options**.
- 3 Reportez-vous au tableau pour savoir comment configurer chaque fonction.

Fonction	Bouton	Affichage
Rappel de nettoyage de l'appareil	<b>Night Dry (Séchage de nuit)</b>	Arrêt ↔ Mise en marche
Niveau d'agent de rinçage	<b>Dry Boost (Séchage extra)</b>	L2 → L3 → L4 → L0 → L1 → L2 →
Lumière de nettoyage	<b>High Temp. (Température élevée)</b>	Mise en marche ↔ Arrêt
Son de l'alarme	<b>1 Hour (1 Heure)</b>	Mise en marche ↔ Arrêt
Mode automatique	<b>Delicate (Délicat)</b>	Mise en marche ↔ Arrêt

Fonction	Bouton	Affichage
Alarme de fin	<b>Heavy (Intensif)</b>	Mise en marche ↔ Arrêt

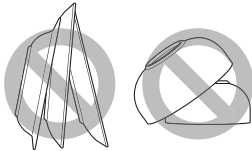
## REMARQUE

- Rappel de nettoyage de l'appareil
  - Le voyant à DEL **Machine Clean (Nettoyage de l'appareil)** clignote à tous les 30 cycles. Vous pouvez activer ou désactiver le voyant à DEL.
- Niveau d'agent de rinçage
  - Vous pouvez régler le niveau de l'agent de rinçage de L0 à L4.
  - Pour plus de renseignements, consultez la section **Réglage du distributeur d'agent de rinçage**.
- Lumière de nettoyage
  - Le réglage par défaut « en marche » (ON) maintient le voyant vert allumé jusqu'à ce que la porte soit ouverte. Si le réglage est modifié à « arrêt » (OFF), le voyant vert s'éteint après 90 secondes.
- Son de l'alarme
  - Vous pouvez activer ou désactiver le volume des sons des boutons ou des notifications.
  - La tonalité de l'alerte d'erreur ne peut pas être désactivée.
- Mode automatique
  - Le réglage par défaut « en marche » (ON) sélectionne automatiquement les options pour obtenir de meilleures performances de lavage et de séchage.
  - Si le réglage est modifié à « arrêt » (OFF), les options ne seront pas sélectionnées.
- Alarme de fin
  - Vous pouvez activer ou désactiver l'alarme de fin.

## Chargement du lave-vaisselle

La très grande cuve peut contenir des plats, des poêles ou autres accessoires de cuisine ayant une hauteur de 14 pouces et moins. Pour obtenir des performances de lavage efficaces, suivez toujours les directives suivantes.

- Enlevez les gros débris alimentaires des assiettes, incluant les os, avant de charger la vaisselle.
- Faites tremper les articles avec des aliments brûlés avant de les charger dans le lave-vaisselle.
- Les casseroles et les plats profonds doivent être placés à l'envers.
- Assurez-vous que les articles ne se touchent pas.



## Objets n'allant pas au lave-vaisselle

La combinaison d'une eau très chaude et de détergents pour lave-vaisselle peut endommager certains articles. Ne mettez pas les articles suivants dans le lave-vaisselle.

- Articles en cuivre ou en aluminium anodisé
- Porcelaine peinte à la main avec des feuilles d'argent ou d'or
- Vaisselle avec des manches en bois ou en os
- Ustensiles en fer ou qui peuvent rouiller
- Articles en plastique non recommandés pour le lave-vaisselle
- Couverts en argent sterling ou plaqués or, ou porcelaine délicate ou bordée de métal
- Articles fragiles comme des verres de cristal

### **⚠ MISE EN GARDE**

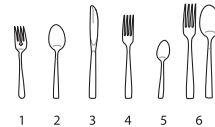
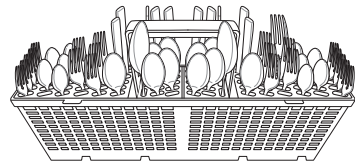
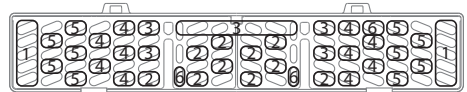
- Ne mettez pas de casseroles ou de poêles avec des manches en plastique dans l'appareil, car les poignées risquent de se détériorer à cause de la chaleur et du détergent.
- Les taches de rouge à lèvres résistant à l'eau ou de longue durée sur les verres pourraient ne pas partir au lavage.

## Chargement du panier à ustensiles

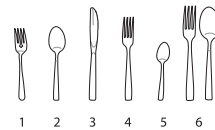
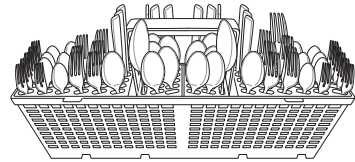
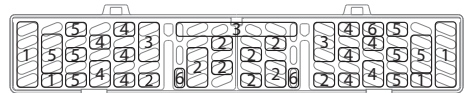
Le panier à ustensiles possède des séparateurs afin d'éviter de rayer ou ternir les ustensiles délicats.

### Chargement des couverts dans le panier

#### Réglages du chargement de 10 couverts



#### Réglages du chargement de 12 couverts



### Conseils sur le chargement des ustensiles :

- Pour un meilleur nettoyage, utilisez les séparateurs supérieurs dans le panier pendant le chargement des ustensiles. Les séparateurs empêcheront les ustensiles de s'entasser.
- Chargez les objets pointus, comme les couteaux, la pointe vers le bas.

- Lorsque vous videz le lave-vaisselle, il vaut mieux commencer par le panier à ustensiles. Cela empêche ainsi les gouttes d'eau de tomber sur vos ustensiles depuis le panier supérieur.

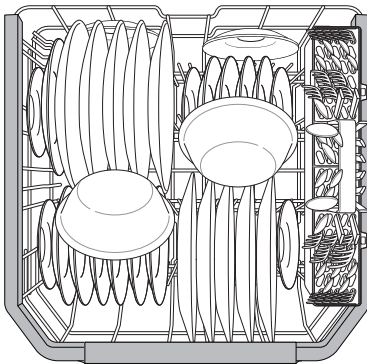
**⚠ AVERTISSEMENT**

- Soyez vigilant lorsque vous chargez ou déchargez des objets pointus. Placez les couteaux pointus avec le manche vers le haut afin de réduire le risque de blessure.

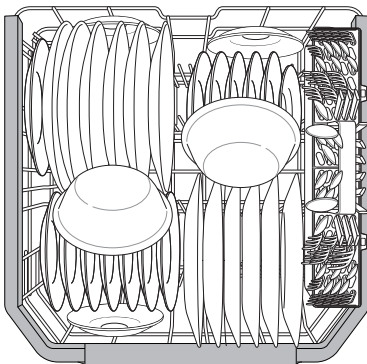
## Chargement du panier inférieur

### Chargement de la vaisselle dans le panier inférieur

#### Réglages du chargement de 10 couverts



#### Réglages du chargement de 12 couverts



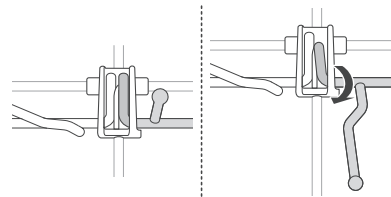
## Conseils pour le chargement du panier inférieur :

- Les assiettes doivent être placées en position verticale et faire face au centre du panier et les casseroles, les poêles et les grands plats doivent être placés à l'envers.
- Placez les assiettes, les plats, les bols à soupe et autres entre les tiges du panier.
- Placez les plaques à biscuits, les moules à gâteaux et autres grands objets sur les côtés ou à l'arrière du panier. Si vous placez ces objets à l'avant du lave-vaisselle, cela peut empêcher le jet d'eau d'atteindre le distributeur de détergent.
- Assurez-vous que les manches des casseroles et autres grands objets n'empêchent pas la rotation des bras de lavage.
- Le panier inférieur ne doit pas être utilisé pour les petits objets, notamment les tasses, les coupes à vin ou les petites assiettes. Ces objets doivent être chargés dans le panier supérieur.
- Assurez-vous que les objets volumineux n'interfèrent pas avec la rotation des bras de lavage et n'empêchent pas l'ouverture du distributeur de détergent.

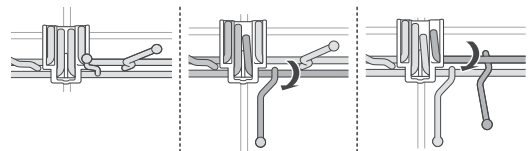
## Rabattre le râtelier inférieur

Pliez les dents pour loger les grands plats; dépliez-les pour loger de petits plats.

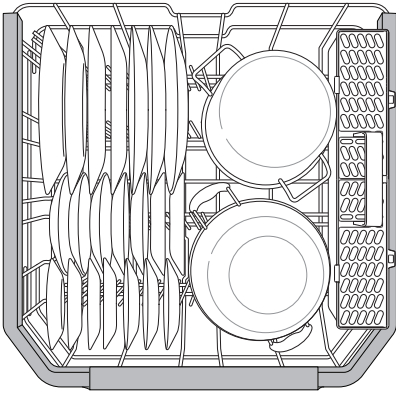
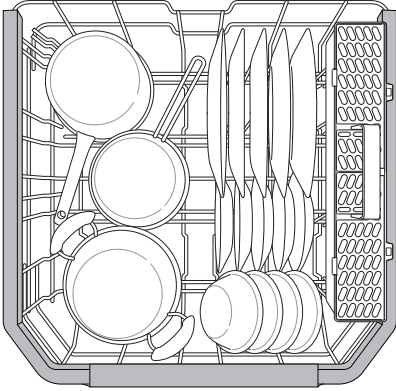
### Cas 1



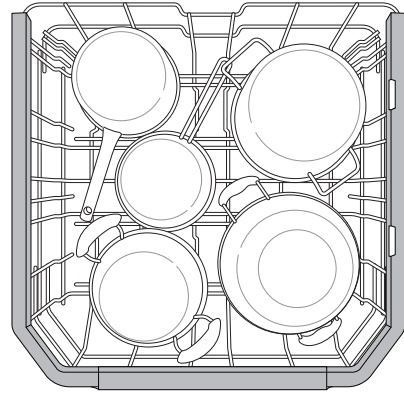
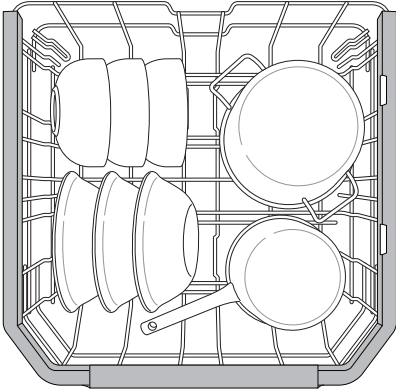
### Cas 2



## Chargement des plats et des casseroles

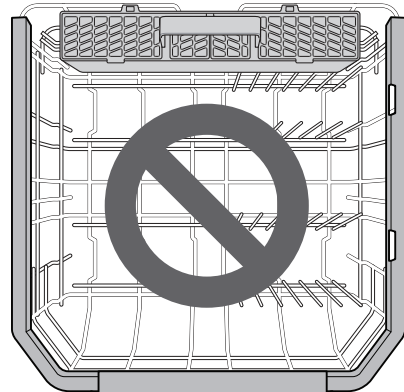
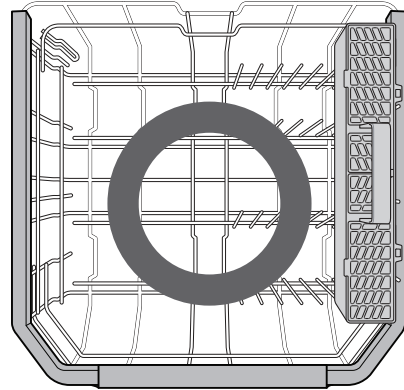


## Chargement des casseroles et des bols



### REMARQUE

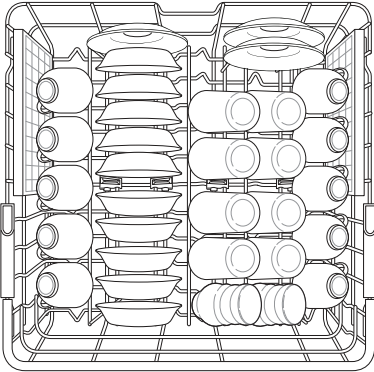
- Le panier à couverts est installé à l'arrière du panier inférieur pour l'expédition de l'appareil. Pour obtenir un rendement optimal, installez-le sur le côté comme indiqué sur l'illustration.



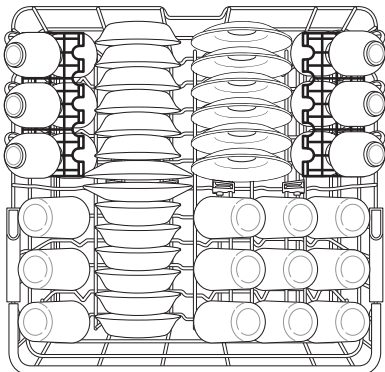
## Chargement du panier supérieur

### Chargement de la vaisselle dans le panier supérieur

#### Réglages du chargement de 10 couverts



#### Réglages du chargement de 12 couverts



### Conseils pour le chargement du panier supérieur :

- Placez les tasses et verres dans les rangées entre les dents du râtelier. Si on les place par-dessus les dents du râtelier, ils peuvent se briser ou porter des taches d'eau calcaire.
- Pour éviter qu'ils ne se fêlent, placez les verres à pied de façon à ce qu'ils ne soient pas en contact avec d'autres objets.
- Placez les objets face ouverte vers le bas pour assurer leur nettoyage et leur séchage.
- N'entassez pas d'objets les uns sur les autres.
- Servez-vous du panier supérieur pour les objets petits ou délicats tels que les petites assiettes,

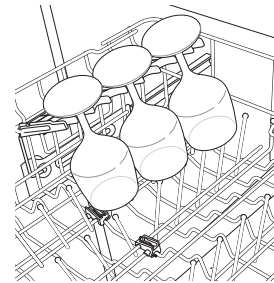
les tasses, les soucoupes, les verres et les objets en plastique lavables en lave-vaisselle.

- Les tasses, verres et bols doivent être placés à l'envers.
- Assurez-vous que les objets n'empêchent pas la rotation des bras de lavage situés au-dessus et au-dessous du panier supérieur.
- Lorsque vous chargez des objets de grande taille dans le panier supérieur, comme des coupes à vin ou des tasses hautes, vous pourriez devoir retirer le panier à couverts. (Pour les modèles dotés d'un panier à couverts.)

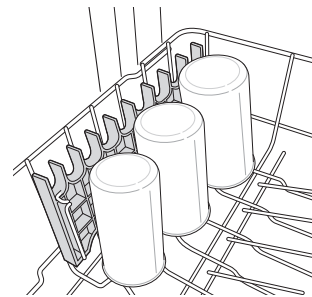
### Chargement du panier

Cette fonctionnalité est offerte sur certains modèles seulement.

Les tasses supplémentaires ou les ustensiles de cuisine peuvent être posés par-dessus les compartiments à tasses refermés, qui servent aussi de support aux verres à long pied.



Les paniers pour les tasses se replient pour laisser de la place pour les grands verres.

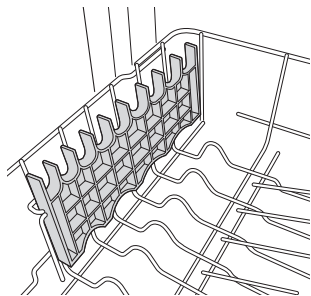


### Retrait et remise en place du panier à tasses

Cette fonctionnalité est offerte sur certains modèles seulement.

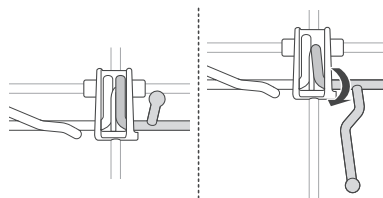
Les paniers à tasses de droite et de gauche sont interchangeables et peuvent être retirés.

- 1 Faites glisser le panier dans sa position fermée.



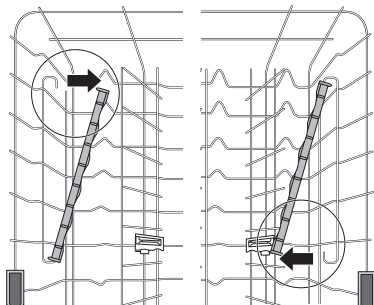
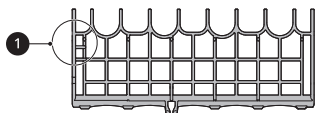
### Rabattre le râtelier supérieur

Pliez les dents pour loger les grands plats; dépliez-les pour loger de petits plats.

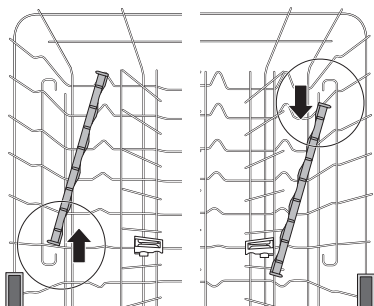


**2** Repérez la rainure de fixation **1** sur le panier à tasses, alignez-la avec la barre de soutien et retirez fermement le panier de la barre de soutien de ce côté-là.

- Le panier du côté gauche s'enlève en tirant à l'arrière. Le panier du côté droit s'enlève en tirant à l'avant.

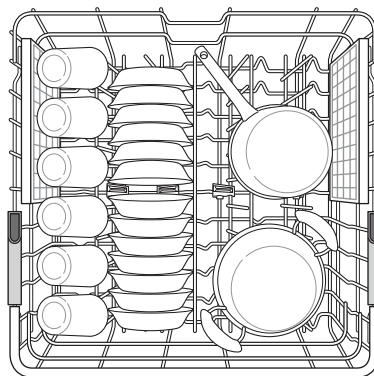


**3** Faites glisser le panier à tasses sur la barre de soutien du côté opposé.



**4** Suivez les instructions dans l'ordre inverse pour remplacer le panier à tasses.

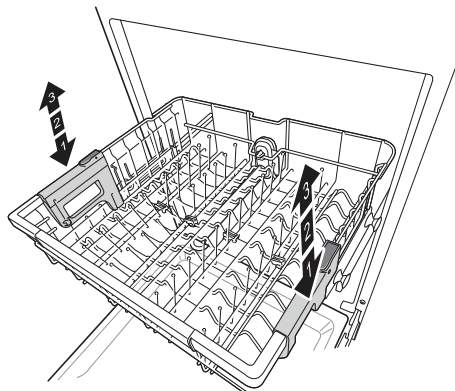
### Chargement des plats et des casseroles



### Panier supérieur à hauteur réglable

Le panier supérieur se règle vers le haut et vers le bas. Relevez le panier supérieur pour placer des objets d'une hauteur maximale de 14 pouces dans le panier inférieur. Abaissez le panier supérieur pour placer des plats d'une hauteur maximale de 12 pouces dans le panier supérieur. Le panier supérieur est relevé lors de l'expédition.

Il y a trois positions disponibles de réglage de la hauteur du panier supérieur pour créer plus d'espace.

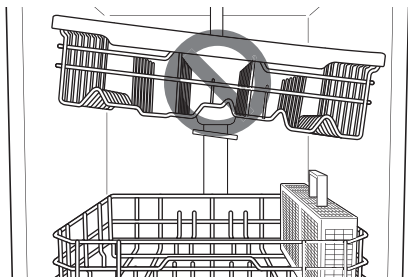


**⚠ AVERTISSEMENT**

- Avant de le régler, assurez-vous que le panier ne contient aucune vaisselle. Autrement la vaisselle pourrait être endommagée ou vous pourriez vous blesser.

**REMARQUE**

- Relevez le panier supérieur sans appuyer sur les boutons de chaque côté. Appuyer sur les boutons en relevant le panier vous empêchera de le verrouiller en place.
- Pour placer le panier à la position centrale, il peut être préférable de le baisser complètement, puis de le relever jusqu'à ce qu'il se bloque au niveau souhaité.
- Avant de rentrer le panier supérieur dans le lave-vaisselle, assurez-vous que sa hauteur est la même de chaque côté. Si ce n'est pas le cas, la porte du lave-vaisselle ne se refermera pas et le bras de lavage supérieur ne se raccordera pas à l'entrée d'eau.

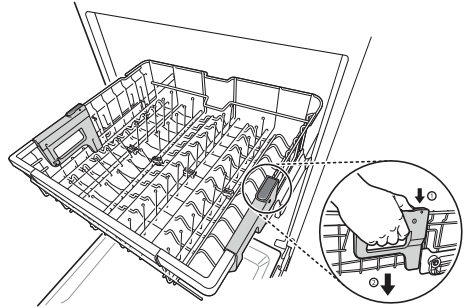


- Il y a un gain d'espace de 2 3/16 po (56 mm) en hauteur lorsque le panier supérieur est à la position la plus basse.
- Après avoir réglé la hauteur des paniers, assurez-vous que les bras de lavage peuvent tourner librement.
- Quand le panier supérieur est dans la position basse, assurez-vous que le panier et le bras de lavage ne frappent pas les articles qui se trouvent dans le panier inférieur.
- Quand le panier supérieur est dans la position basse, rentrez le panier supérieur en premier, suivi du panier inférieur.
- Sortez le panier inférieur en premier, et le panier supérieur en second.

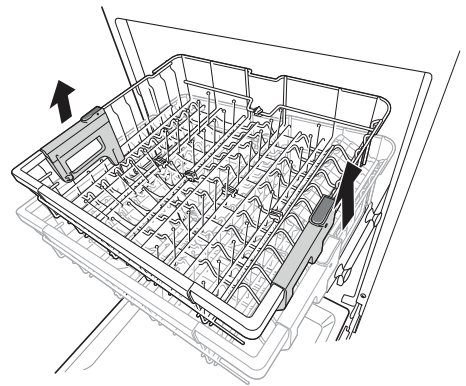
**Abaisser le panier**

Tenez le panier par le milieu de chacun des côtés afin de supporter son poids. Appuyez ensuite sur

le bouton situé de chaque côté pour libérer le panier et abaissez-le en position.

**Relever le panier**

Soulevez le panier par le milieu de chacun de ses côtés jusqu'à ce que le panier s'enclenche à la position élevée. Il n'est pas nécessaire de soulever les leviers de verrouillage pour relever le panier.

**Retrait du panier supérieur coulissant et encliquetable**

Cette fonctionnalité est offerte sur certains modèles seulement.

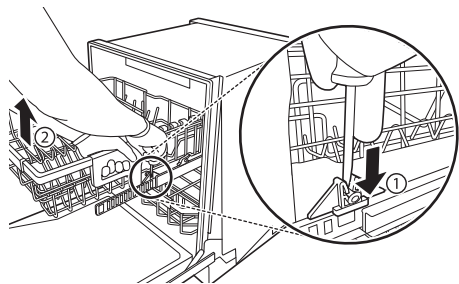
Ces instructions sont destinées aux modèles dotés de supports encliquetables plutôt que de supports munis de roues.

**⚠ MISE EN GARDE**

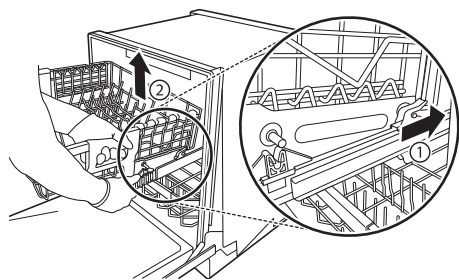
- Le panier supérieur encliquetable doit seulement être retiré lors de l'entretien de l'appareil. Si vous devez retirer le panier, assurez-vous de porter des gants et manipulez soigneusement le tournevis afin d'éviter de vous blesser ou d'endommager le lave-vaisselle.

- 1 Tirez le panier supérieur jusqu'à ce qu'il soit bloqué dans le mouvement. Retirez tous les articles qui se trouvent dans le panier.

- 2** Pour retirer de leurs rails les supports avant du panier, ouvrez les crochets avant à l'aide d'un tournevis à tête plate tout en tirant l'avant du panier vers le haut; cela vous permettra de retirer des crochets le support avant. Répétez cette étape pour retirer le support avant situé de l'autre côté du panier.



- 3** Pour retirer de leurs rails les supports arrière du panier, tenez d'une main l'un des rails situés sur le côté, soulevez l'avant du panier et poussez fermement le panier vers l'arrière pour retirer des crochets le support arrière. Répétez cette étape pour retirer le support situé de l'autre côté du panier.



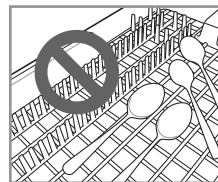
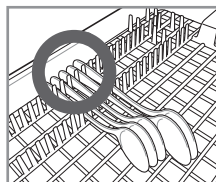
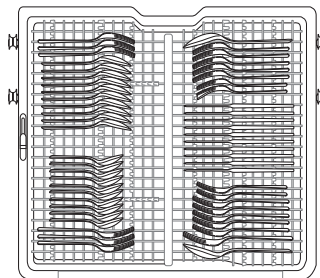
- 4** Pour replacer le panier, placez les supports arrière derrière les crochets arrière et tirez le panier vers l'avant pour placer les supports sur les crochets. Ensuite, alignez les supports avant du panier avec les crochets avant et poussez l'avant du panier vers le bas pour placer les supports sur les crochets avant.

sales ou les plats ayant servi au four doivent être placés sur le panier du milieu ou dans le panier à cuillères pour un meilleur lavage.

## Chargement des couverts dans le panier à couverts

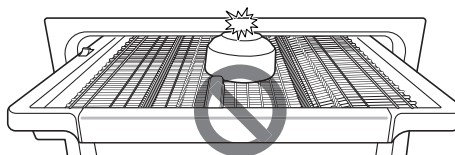
Cette fonctionnalité est offerte sur certains modèles seulement.

### Réglages du chargement de 10 couverts



### ⚠ MISE EN GARDE

- Ne placez pas les bols au centre du panier à couverts. La porte pourrait ne pas se fermer correctement, ce qui entraînerait des fuites.



## Chargement du panier à couverts

Le panier à couverts convient idéalement aux ustensiles plats. Les séparateurs des paniers à couverts permettent de maintenir les ustensiles plats séparés afin d'éviter de les endommager et d'améliorer leur nettoyage.

### REMARQUE

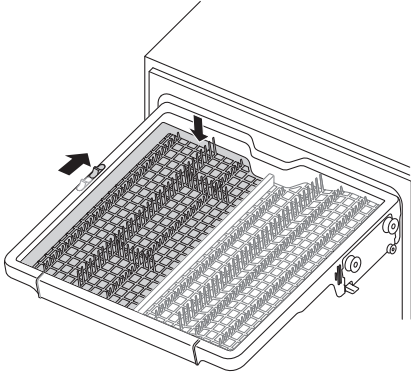
- Pour un nettoyage optimal, placez les assiettes dans les paniers à argenterie. Les ustensiles très

## Plateau à hauteur réglable

Cette fonctionnalité est offerte sur certains modèles seulement.

Le plateau de gauche peut être réglé à une position haute ou basse pour loger des couverts ou des ustensiles de différentes tailles. Retirez les plats avant de régler le positionnement du

plateau. Réglez le positionnement du plateau en faisant glisser le levier.

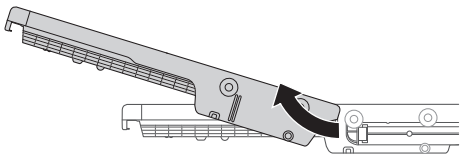


### Retrait du panier à argenterie

L'ensemble du panier à argenterie peut être retiré si plus d'espace est nécessaire sur le panier supérieur pour des objets larges.

Retirez toujours l'argenterie du panier avant d'enlever celui-ci.

Tirez le panier jusqu'à l'extrémité des rails. Puis soulevez l'avant du panier afin que les roulements se dégagent de la butée située à l'extrémité du rail. Le panier peut maintenant être glissé vers l'avant et retiré des rails.

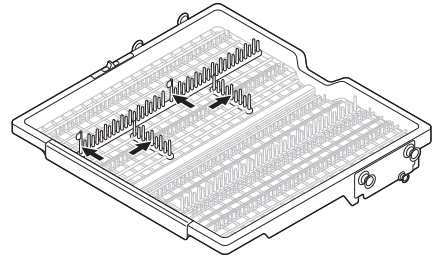


#### ⚠ AVERTISSEMENT

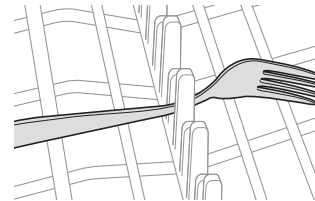
- Soyez vigilant lorsque vous chargez ou déchargez des objets à bords tranchants. Placez les couteaux aiguisés lame vers le bas pour éviter le risque de blessure.

### Rabattre les tiges pour les couverts

Rabattez les tiges pour y mettre les ustensiles plats.



Dépliez-les pour y mettre des petits plats.



### Ajout de produits de nettoyage

#### Ajout de détergent dans le distributeur

- Retirez l'étiquette sur le distributeur avant de mettre en marche le lave-vaisselle pour la première fois.
- La quantité de détergent voulue dépend du cycle, de la charge et du niveau de saleté des plats.
- Versez le détergent dans le bac de détergent avant le début d'un cycle, sauf pour le cycle de rinçage **Rinse (Rinçage) (Download Cycle (Téléchargement d'un cycle) : P3)**.

#### ⚠ AVERTISSEMENT

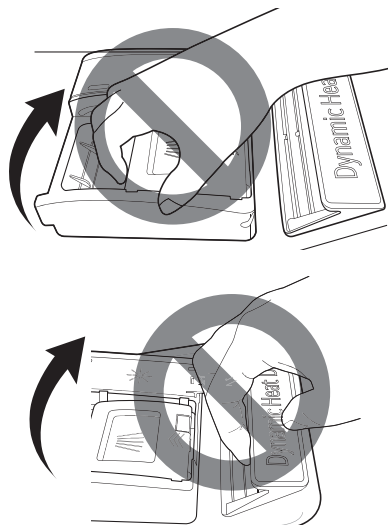
- Le détergent pour lave-vaisselle et l'agent de rinçage contiennent des produits chimiques, comme tous les autres détergents pour la maison. Ils doivent donc être rangés hors de la portée des enfants.

#### ⚠ MISE EN GARDE

- N'utilisez que du détergent conçu pour les lave-vaisselle. L'emploi d'un détergent inadéquat peut faire en sorte que le lave-vaisselle se remplisse d'eau savonneuse pendant le fonctionnement. L'excédent d'eau savonneuse

peut diminuer la performance du lave-vaisselle et causer des fuites.

- Pour éviter d'endommager le distributeur et le couvercle du ventilateur, ne les utilisez pas pour tirer et fermer la porte du lave-vaisselle.

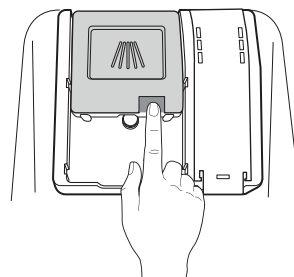


**REMARQUE**

- Après avoir terminé le programme de lavage, vérifiez si le détergent a été complètement dissout.
- Certaines pastilles de détergent pour lave-vaisselle peuvent rester bloquées dans le distributeur à cause de leur grosseur excessive. Les pastilles peuvent être placées au fond de la cuve de lavage près du filtre avant de démarrer le cycle.
- Un excès de détergent peut laisser un film sur les plats et dans le lave-vaisselle, ce qui donnera un lavage de mauvaise qualité.
- Si des pastilles de détergent pour lave-vaisselle sont utilisées sans produit de rinçage, une humidité excessive s'accumulera sur la vaisselle et les parois intérieures de l'appareil. Sélectionnez l'option **Dry Boost (Séchage extra)** pour un séchage encore plus performant.
- L'utilisation de produit de rinçage liquide améliore le rendement du séchage en permettant à l'eau de s'égoutter de la vaisselle après le rinçage final.
- N'utilisez pas de pastilles de détergent pour les cycles de lavage raccourcis. Il est possible que la pastille ne soit pas entièrement dissoute, entraînant ainsi la formation d'un résidu de détergent sur les plats et un mauvais nettoyage.
- Utilisez un renforceur pour détergent pour aider à éliminer les taches, les résidus et le film

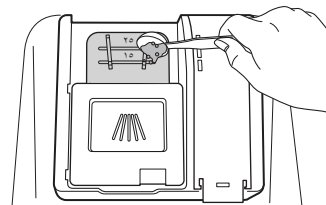
blanc que produit l'eau dure. Il n'aide pas à éliminer les résidus de détergent excessif.

- 1 Appuyez sur le bouton du couvercle du distributeur pour l'ouvrir.

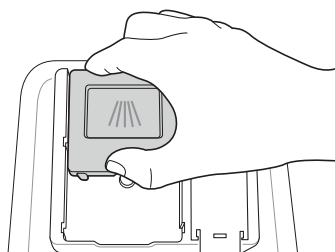


- 2 Ajoutez du détergent dans le compartiment principal jusqu'à ce que la quantité versée se situe entre les marques 15 et 25.

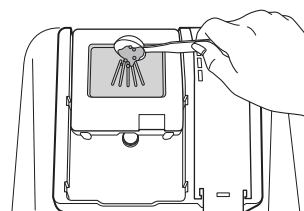
- Dépassez la ligne 25 si votre eau est dure ou pour les charges très sales.
- Le remplir jusqu'à la ligne 15 pour l'eau adoucie ou pour les charges peu sales.



- 3 Faites glisser le couvercle du distributeur de détergent jusqu'à ce qu'un clic indique qu'il est bien fermé.



- 4 Si vous souhaitez faire un prélavage, remplissez de détergent le bac de prélavage dans la zone encastrée sous le couvercle.



## Ajout de produit de rinçage dans le distributeur

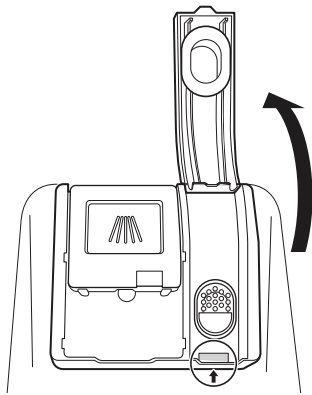
Le voyant à DEL **Rinse Aid Refill (Regarnir produit de rinçage)** s'affiche à l'écran lorsqu'il faut ajouter plus d'agent de rinçage.

Il est recommandé d'utiliser un agent de rinçage pour prévenir les traces d'eau sur les plats et pour améliorer le séchage.

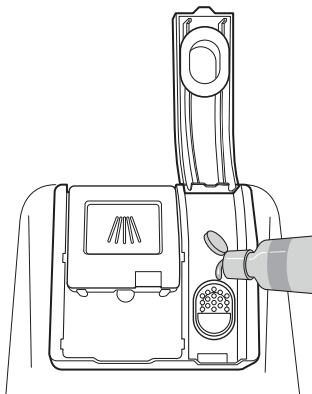
### REMARQUE

- N'utilisez que du produit de rinçage liquide dans ce lave-vaisselle.
- Ne surchargez pas le distributeur de produit de rinçage.
- Essuyez tout agent de rinçage qui se serait déversé autour du distributeur.

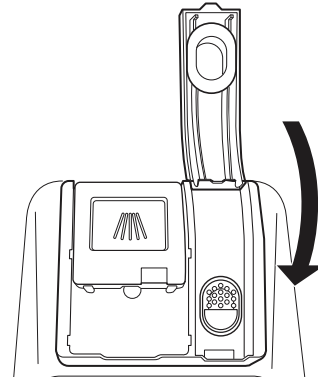
- 1 Ouvrez le couvercle de l'agent de rinçage en soulevant le rabat.



- 2 Ajoutez de l'agent de rinçage liquide jusqu'au niveau de remplissage maximal. Laissez l'agent de rinçage se déposer dans le distributeur pendant le remplissage, sinon des bulles d'air pourraient se former et causer un séchage inefficace. Évitez de trop remplir le distributeur.



- 3 Fermez le couvercle pour verrouiller le distributeur. Le produit de rinçage est distribué automatiquement au cours du dernier cycle de rinçage.



## Réglage du distributeur de produit de rinçage

Le distributeur est doté de cinq niveaux de réglage. Le lave-vaisselle est programmé à l'usine pour un niveau du distributeur d'agent de rinçage de 2. Vous pouvez vérifier et changer ce niveau depuis le panneau de commande.

### REMARQUE

- Réglez le distributeur à un niveau supérieur si votre eau est dure et que vous observez la présence de dépôts calcaires sur vos plats.
- Un distributeur de produit de rinçage réglé à un niveau trop faible favorisera la formation de taches et de marques sur les plats et diminuera la performance du séchage.
- Un réglage trop haut peut causer la formation de mousse, ce qui diminuera la performance du lavage.

- 1 Assurez-vous que l'appareil est éteint.
- 2 Appuyez simultanément sur les boutons **Mise sous tension** et **Remote Start (Démarrage à distance)** pour accéder au **mode de réglage des options**.
- 3 Appuyez sur **Dry Boost (Séchage extra)** pour changer le réglage du distributeur d'agent de rinçage. Chaque fois que vous appuyez sur le bouton, le réglage passe au niveau suivant, de L0 à L4.
- 4 Une fois que le réglage du distributeur d'agent de rinçage désiré est sélectionné,

appuyez sur **START (Démarrage)** pour le sauvegarder.

## Rechargement du produit de rinçage

La fréquence de rechargement du produit de rinçage dépend de la fréquence d'utilisation du lave-vaisselle et du niveau de distribution sélectionné.

- Le voyant à DEL **Rinse Aid Refill (Regarnir produit de rinçage)** clignote lorsqu'il faut ajouter de l'agent de rinçage, à moins que le réglage du distributeur d'agent de rinçage soit réglé à « L0 ».

# FONCTIONS INTELLIGENTES

## Application LG ThinQ

L'application **LG ThinQ** vous permet de communiquer avec l'appareil à l'aide d'un téléphone intelligent.

### Caractéristiques de l'application LG ThinQ

#### • Suivi

- Contrôlez l'état actuel, le cycle, les options, le temps de fonctionnement et l'heure de fin de cycle pour l'appareil sur un seul et même écran.

#### • Download Cycle (Téléchargement d'un cycle)

- Vous pouvez télécharger de nouveaux cycles spécialisés qui ne sont pas inclus dans les cycles standards de l'appareil. Connectez l'appareil à l'application pour télécharger une variété de cycles de spécialité propres à l'appareil. Une fois le téléchargement de cycle terminé dans l'appareil, le produit garde en mémoire le cycle téléchargé jusqu'à ce qu'un nouveau cycle soit téléchargé.

### REMARQUE

- Un seul cycle téléchargé peut être enregistré à la fois sur l'appareil.
- Le cycle **Machine Clean (Nettoyage de l'appareil)** (P1) est le cycle téléchargé par défaut.

#### • Aide au nettoyage de l'appareil

- Cette fonctionnalité indique le nombre de cycles restants avant qu'il soit temps d'exécuter le cycle **Machine Clean (Nettoyage de l'appareil) (Download Cycle (Téléchargement d'un cycle) : P1)**.

#### • Smart Diagnosis

- Cette fonction fournit des renseignements utiles pour diagnostiquer et résoudre les problèmes avec l'appareil en se basant sur le profil d'utilisation.

#### • Paramètres

- Réglez le niveau du distributeur de produit de rinçage, le rappel pour le nettoyage de l'appareil, le niveau du signal et le voyant indicateur de nettoyage.

Quand le cycle est terminé ou que l'appareil a des problèmes, vous avez l'option de recevoir des alertes instantanées sur un téléphone intelligent.

#### • Notifications poussées

- Activez les **Notifications poussées** pour recevoir des notifications sur l'état de l'appareil.

Les notifications sont déclenchées même si l'application **LG ThinQ** est éteinte.

#### • Surveillance de la consommation d'énergie

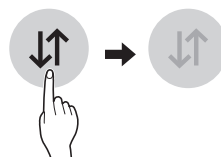
- Vous pouvez utiliser la fonction de surveillance de la consommation d'énergie pour vérifier la consommation d'énergie estimée.

### REMARQUE

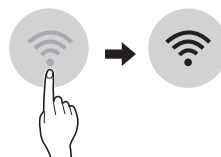
- Si vous changez de routeur sans fil, de fournisseur de services Internet ou de mot de passe, supprimez l'appareil connecté de l'application **LG ThinQ**, puis connectez-le de nouveau.
- Cette information est à jour au moment de la publication. L'application est sujette à des modifications à des fins d'amélioration du produit, et ce, sans que l'utilisateur en soit préalablement avisé.

## Avant d'utiliser l'application LG ThinQ

- 1 Vérifiez la distance entre l'appareil et le routeur sans fil (réseau Wi-Fi).
  - Si la distance entre l'appareil et le routeur est trop grande, l'intensité du signal s'affaiblit. La connexion peut prendre du temps, ou l'installation peut échouer.
- 2 Désactivez les **Données mobiles** ou les **Données cellulaires** sur votre téléphone intelligent.



- 3 Connectez votre téléphone intelligent au routeur sans fil.



**REMARQUE**

- Pour connaître l'état du réseau Wi-Fi, vérifiez que le voyant à DEL **Wi-Fi** sur le panneau de commande est allumé.
- L'appareil prend seulement en charge les réseaux Wi-Fi de 2,4 GHz. Pour vérifier la fréquence de votre réseau, contactez votre fournisseur de services Internet ou reportez-vous au manuel de votre routeur sans fil.
- **LG ThinQ** n'est pas responsable des problèmes de connexion au réseau ou des défauts, dysfonctionnements ou erreurs causés par la connexion au réseau.
- Si l'appareil a des difficultés à se connecter au réseau Wi-Fi, il est peut-être trop loin du routeur. Procurez-vous un répéteur Wi-Fi (rallonge de portée) pour améliorer la force du signal Wi-Fi.
- La connexion Wi-Fi peut ne pas se faire ou être interrompue à cause de l'environnement du réseau domestique.
- La connexion réseau peut ne pas fonctionner correctement selon le fournisseur de services Internet.
- L'environnement sans fil peut causer un ralentissement du fonctionnement du réseau sans fil.
- Si l'appareil ne peut pas être connecté en raison de problèmes liés à la transmission du signal sans fil, débranchez l'appareil et attendez environ une minute avant de réessayer.
- Si le pare-feu de votre routeur sans fil est activé, désactivez-le ou ajoutez-y une exception.
- Le nom du réseau sans fil (SSID) doit être une combinaison de lettres et de chiffres anglais. (N'utilisez pas de caractères spéciaux.)
- L'interface utilisateur (IU) du téléphone intelligent peut varier en fonction du système d'exploitation (SE) mobile et du fabricant.
- Si le protocole de sécurité du routeur est configuré sur **WEP**, la configuration du réseau peut échouer. Veuillez changer le protocole de sécurité (nous recommandons **WPA2**) et connectez le produit à nouveau.

**Utilisation de l'appareil à distance****Remote Start (Démarrage à distance)**

Utilisez un téléphone intelligent pour commander l'appareil à distance ou pour vérifier le temps restant au cycle.

**Utilisation du cycle Remote Start (Démarrage à distance)**

- 1 Chargez la vaisselle dans le lave-vaisselle.
- 2 Appuyez sur le bouton **Mise sous tension**.
- 3 Vérifiez que la connexion Wi-Fi est établie.
- 4 Appuyez sur le bouton **Remote Start (Démarrage à distance)** et fermez la porte du lave-vaisselle pour activer la fonctionnalité **Remote Start (Démarrage à distance)**.
- 5 Démarrez un cycle à partir de l'application **LG ThinQ** sur votre téléphone intelligent.

**REMARQUE**

- Une fois le mode **Remote Start (Démarrage à distance)** activé, vous pouvez lancer un cycle depuis l'application **LG ThinQ**, mais les touches de cycle et d'options de l'appareil seront désactivées. Pour activer les touches, vous devez désactiver le mode **Remote Start (Démarrage à distance)**.
- La porte doit être fermée afin d'activer le mode **Remote Start (Démarrage à distance)**.

**Désactivation du mode Remote Start (Démarrage à distance)**

Lorsque la fonction **Remote Start (Démarrage à distance)** est activée, ouvrez la porte du lave-vaisselle ou appuyez sur le bouton **Remote Start (Démarrage à distance)** en laissant la porte fermée.

**Installation de l'application LG ThinQ**

À partir d'un téléphone intelligent, cherchez l'application **LG ThinQ** dans la boutique Google Play ou l'App Store d'Apple. Suivez les directives pour télécharger et installer l'application.

## Caractéristiques de l'équipement radio

Type	Fréquence Plage	Sortie Power (Mise sous tension)
Wi-Fi	2412 MHz - 2462 MHz	< 30 dBm
Bluetooth	2402 MHz - 2480 MHz	

### Avis de la FCC

L'avis suivant couvre le module de transmetteur se trouvant dans le produit.

Cet équipement a été testé et jugé conforme aux limites d'un appareil numérique de classe B, conformément à la partie 15 des règles de la FCC. Ces limites sont établies pour fournir une protection raisonnable contre les interférences nuisibles dans une installation résidentielle. Cet équipement produit, utilise et peut émettre de l'énergie radioélectrique et, s'il n'est pas installé et utilisé conformément aux présentes instructions, peut causer des interférences nuisibles aux communications radio. Quoi qu'il en soit, on ne peut pas garantir que des interférences ne se produiront pas dans certaines installations. Si cet appareil cause des interférences nuisibles à la réception des signaux de radio ou de télévision, ce qui peut être déterminé en allumant et en éteignant l'appareil, on encourage l'utilisateur à essayer de corriger ces interférences par l'un des moyens suivants :

- Réorientez ou déplacez l'antenne de réception.
- Augmentez la distance séparant l'équipement du récepteur.
- Branchez l'appareil sur un circuit électrique différent de celui où le récepteur est branché.
- Contactez votre revendeur ou un technicien radio/télévision expérimenté.

Cet appareil est conforme à la partie 15 du règlement de la FCC. Le fonctionnement est soumis aux deux conditions suivantes :

- (1) L'appareil ne doit pas produire de brouillage; et
- (2) L'appareil doit accepter tout brouillage radioélectrique subi, même si le brouillage est susceptible d'en compromettre le fonctionnement.

Tout changement ou toute modification apportés à cet appareil et qui ne sont pas approuvés de manière explicite par le fabricant sont susceptibles d'annuler l'autorité de l'utilisateur quant à utiliser l'appareil.

## Énoncé FCC sur l'exposition aux radiations RF

Cet équipement est conforme aux limites de radiation de la FCC définies pour un environnement non contrôlé. Cet appareil et ses antennes ne doivent pas être colocalisés ou opérés en conjonction avec tout autre antenne ou transmetteur.

Cet appareil doit être installé et utilisé de façon à maintenir une distance minimale de 20 cm (7,8 po) entre l'antenne et l'utilisateur. Les utilisateurs doivent respecter les directives d'utilisation afin de satisfaire aux critères en matière d'exposition aux rayonnements RF.

### Avis d'Industrie Canada

L'émetteur/récepteur exempt de licence contenu dans le présent appareil est conforme aux CNR d'Innovation, Sciences et Développement économique Canada applicables aux appareils radio exempts de licence. L'exploitation est autorisée aux deux conditions suivantes:

- (1) Cet appareil ne doit pas provoquer d'interférences
- (2) Cet appareil doit accepter toutes les interférences, y compris celles pouvant entraîner son dysfonctionnement.

## Énoncé d'IC concernant l'exposition à la radiation

Cet appareil est conforme aux limites d'exposition aux rayonnements d'Industrie Canada pour un environnement non contrôlé.

Cet appareil doit être installé et utilisé de façon à garder une distance minimale de 20 cm (7,8 pouces) entre la source de rayonnement et votre corps.

### REMARQUE

- LE FABRICANT N'EST PAS RESPONSABLE DES INTERFÉRENCES RADIOÉLECTRIQUES CAUSÉES PAR DES MODIFICATIONS NON AUTORISÉES APPORTÉES À CET APPAREIL. DE TELLES MODIFICATIONS POURRAIENT ANNULER L'AUTORISATION ACCORDÉE À L'UTILISATEUR DE FAIRE FONCTIONNER L'APPAREIL.

## Renseignements sur l'avis de logiciel libre

Pour obtenir le code source conformément aux dispositions de la licence publique générale, de la licence publique générale limitée, de la licence publique Mozilla et de toute autre licence régissant les logiciels à code source libre contenus dans ce produit et exigeant la divulgation du code source, visitez le site <https://opensource.lge.com>. En plus du code source, toutes les dispositions de licence, les avis de droits d'auteurs et autres documents pertinents peuvent aussi être consultés.

LG Electronics mettra également à votre disposition le code source libre sur CD-ROM pour un prix couvrant le coût de la distribution (coût du support, de l'expédition et de la manutention) sur simple demande par courriel à l'adresse [opensource@lge.com](mailto:opensource@lge.com).

Cette offre est valable pour une période de trois ans après notre dernière expédition de ce produit et s'applique à toute personne ayant reçu ces renseignements.

## Fonctionnalité Smart Diagnosis<sup>MC</sup>

Utilisez cette fonctionnalité pour vous aider à diagnostiquer et à résoudre les problèmes qu'éprouve votre appareil.

### REMARQUE

- Pour des raisons ne relevant pas du contrôle de LGE, le service pourrait ne pas fonctionner en raison de facteurs externes, notamment la disponibilité du Wi-Fi, la connexion Wi-Fi, la politique de la boutique d'applications ou la disponibilité de l'application.
- La fonctionnalité pourrait être modifiée sans préavis et pourrait avoir une apparence différente selon votre emplacement.

## Utilisation de l'application LG ThinQ pour diagnostiquer les problèmes


Si vous éprouvez des problèmes avec votre appareil doté du Wi-Fi, vous pouvez transmettre des données de dépannage par téléphone intelligent à l'aide de l'application **LG ThinQ**.

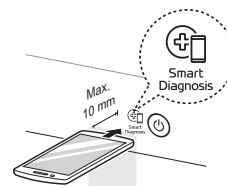
- Lancez l'application **LG ThinQ** et sélectionnez la fonctionnalité **Smart Diagnosis<sup>MC</sup>** qui se trouve dans le menu. Suivez les instructions indiquées dans l'application **LG ThinQ**.

## Utilisation de la fonctionnalité de diagnostic sonore pour diagnostiquer les problèmes

Suivez les instructions ci-dessous pour utiliser la fonctionnalité de diagnostic sonore.

- Lancez l'application **LG ThinQ** et sélectionnez la fonctionnalité **Smart Diagnosis** qui se trouve dans le menu. Suivez les instructions relatives au diagnostic sonore indiquées dans l'application **LG ThinQ**.

- 1 Appuyez sur le bouton **Mise sous tension** pour allumer l'appareil.
  - N'appuyez pas sur les autres touches.
- 2 Placez le microphone de votre téléphone intelligent près du logo .



- 3 Maintenez le bouton **Download Cycle (Téléchargement d'un cycle)** enfoncé pendant trois secondes ou plus tout en maintenant le microphone de votre téléphone intelligent près de l'icône jusqu'à ce que le transfert des données soit terminé.
  - Maintenez votre téléphone intelligent en place jusqu'à ce que le transfert des données soit terminé. Le temps restant pour le transfert des données s'affiche à l'écran.
- 4 Une fois le transfert des données terminé, le diagnostic s'affichera dans l'application.

### REMARQUE

- Pour obtenir des résultats optimaux, évitez de bouger votre téléphone intelligent pendant la transmission sonore.

# ENTRETIEN

Pour maintenir une bonne performance et éviter les problèmes, il est important de vérifier l'extérieur et l'intérieur du lave-vaisselle, incluant les filtres et les bras de lavage, à intervalles réguliers.

## ⚠ AVERTISSEMENT

- Quand vous nettoyez l'extérieur et l'intérieur du lave-vaisselle, n'utilisez pas de benzène ou de diluant. Autrement, cela pourrait causer un incendie ou une explosion.
- Pour éviter les blessures durant l'entretien et le nettoyage, portez des gants ou des vêtements de protection.

## Nettoyage et entretien

### Nettoyage de l'extérieur

- N'utilisez pas de tampons à récurer ni de nettoyeurs abrasifs sur la surface extérieure du lave-vaisselle.
- Pour éliminer la saleté courante, il suffit d'utiliser un chiffon doux humide ou une éponge. Vous pouvez également utiliser un savon doux pour aider à éliminer la saleté tenace. Rincez et essuyez ensuite les surfaces avec un linge doux.
- Vous pouvez polir les surfaces en acier inoxydable à l'aide d'un nettoyant pour acier inoxydable. Suivez les instructions sur le nettoyant, puis essuyez la surface dans le sens du grain.

## ⚠ MISE EN GARDE

- Si de l'huile de cuisson est renversée sur la surface extérieure de l'appareil, essuyez-la immédiatement. Ne nettoyez pas la surface extérieure de l'appareil avec des produits de nettoyage contenant de l'alcool, du diluant, du javellisant, du benzène, du liquide inflammable ou des substances abrasives. Ces substances peuvent décolorer ou endommager l'appareil.

### Nettoyage de l'intérieur

- Nettoyez l'intérieur du lave-vaisselle périodiquement à l'aide d'un chiffon doux et humide ou d'une éponge pour enlever les résidus alimentaires et les impuretés.
- Pour éliminer les taches blanches et les odeurs à l'intérieur du lave-vaisselle, lancez un cycle à vide sans détergent ou avec une tasse de vinaigre blanc dans un verre ou un bol pour lave-vaisselle placé dans le panier supérieur. (Le vinaigre est un acide et, en cas d'utilisation intensive, il risque d'endommager l'appareil.)

- Utilisation du cycle **Machine Clean (Nettoyage de l'appareil)**
  - Exécutez le cycle **Machine Clean (Nettoyage de l'appareil) (Download Cycle (Téléchargement d'un cycle))** : P1) une fois par mois ou tous les 30 cycles pour éliminer la saleté résiduelle, les odeurs, les taches blanches et d'autres saletés à l'intérieur de l'appareil. Le cycle **Machine Clean (Nettoyage de l'appareil) (P1)** est le cycle téléchargé **Download Cycle (Téléchargement d'un cycle)** par défaut.

- 1 Retirez tous les plats de l'appareil.
- 2 Ajoutez trois cuillères à soupe (40 g) d'acide citrique dans le distributeur de détergent ou suivez les instructions du fabricant si vous utilisez un produit de nettoyage pour lave-vaisselle. N'utilisez pas de détergent pour lave-vaisselle.
- 3 Exécutez le cycle **Machine Clean (Nettoyage de l'appareil) (Download Cycle (Téléchargement d'un cycle))** : P1).
- 4 Appuyez sur **START (Démarrage)**.

## REMARQUE

- Exécutez le cycle **Machine Clean (Nettoyage de l'appareil) (Download Cycle (Téléchargement d'un cycle))** : P1) une fois par mois, ou plus souvent selon les besoins, pour éliminer l'accumulation de détergent et d'autres résidus.
- Si vous n'avez pas utilisé le lave-vaisselle depuis une longue période, exécutez le cycle **Machine Clean (Nettoyage de l'appareil) (Download Cycle (Téléchargement d'un cycle))** : P1) sans détergent pour rafraîchir l'intérieur. À la fin du

cycle, nettoyez l'intérieur et l'extérieur du lave-vaisselle en suivant les directives d'**ENTRETIEN**.

## Coupure antirefoulement ou broyeur d'évier obstrué

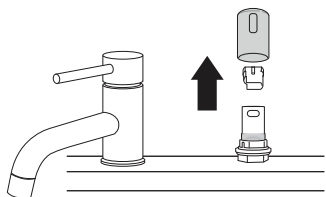
Vérifiez la coupure antirefoulement ou le broyeur d'évier si le lave-vaisselle n'est pas bien vidangé.

### REMARQUE

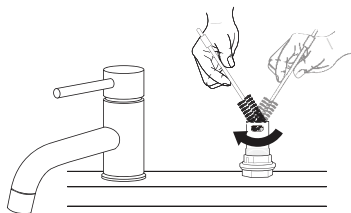
- La coupure antirefoulement et le broyeur sont des raccords externes à la tuyauterie qui ne font pas partie intégrante du lave-vaisselle.
- La garantie du lave-vaisselle ne couvre pas les frais de service directement associés au nettoyage ou à la réparation de la coupure antirefoulement externe et du broyeur.

## Nettoyage de la coupure antirefoulement

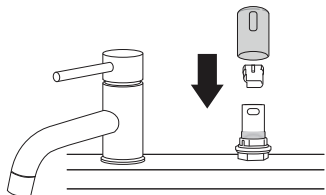
- 1 Éteignez le lave-vaisselle.
- 2 Retirez le couvercle de la coupure antirefoulement et le capuchon de plastique qui est dessous.



- 3 Enlevez tous les débris avec un cure-dent ou une brosse.



- 4 Remplacez le capuchon de plastique et le couvercle de la coupure antirefoulement.



## Nettoyage des filtres

### ⚠ AVERTISSEMENT

- Prenez soin de ne pas toucher aux bords tranchants du filtre en acier inoxydable quand vous le manipulez.

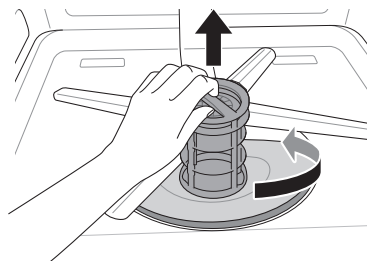
### ⚠ MISE EN GARDE

- Retirez les résidus d'aliments coincés dans les filtres pour éviter l'accumulation de bactéries causant des odeurs et les problèmes possibles de vidange.

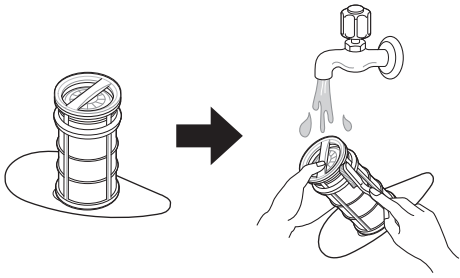
### REMARQUE

- Pour de meilleures performances de lavage, nettoyez le filtre après chaque lavage. Si des résidus alimentaires restent dans le filtre, ils peuvent causer de mauvaises odeurs.
- En présence d'eau calcaire, nettoyez le filtre au moins une fois par mois à l'aide d'une brosse douce.
- Nettoyez les filtres à l'aide de matériaux non abrasifs et d'eau tiède.

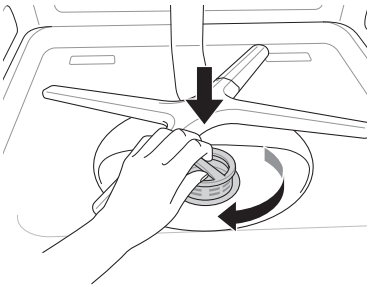
- 1 Retirez le panier inférieur et positionnez le bras de vaporisation afin qu'une ouverture en V plus large soit pointée vers l'avant.
- 2 Tournez le filtre intérieur dans le sens inverse des aiguilles d'une montre et retirez l'unité assemblée comprenant le filtre intérieur et le filtre en acier inoxydable. Une fois les filtres retirés, vérifiez l'ouverture du puisard et retirez toute substance étrangère, si tel est le cas.



- 3 Nettoyez les filtres avec une brosse douce sous l'eau courante. Rassemblez les filtres avant de les réinstaller.

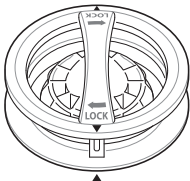


**4** Pour replacer les filtres assemblés, positionnez le bras de vaporisation de façon à avoir l'ouverture en V plus large pointée vers l'avant. Remplacez les filtres dans le boîtier à filtres et fixez-les en place en tournant le filtre intérieur jusqu'à ce qu'il se bloque en place.



**REMARQUE**

- Assurez-vous que le filtre est bien assemblé avant de démarrer un cycle. Durant l'assemblage, tournez le filtre fermement jusqu'à entendre un clic.



**Horaire recommandé pour le nettoyage des filtres**

Nombre de lavages par semaine	Si vous lavez les plats avant de les placer dans le lave-vaisselle	Si vous frottez et rincez les plats avant le chargement
1 - 3	Tous les 6 mois	Une fois par an
4 - 7		
8 - 12		Tous les 6 mois
13 - 14		

Nombre de lavages par semaine	Si vous frottez simplement les plats avant le chargement dans le lave-vaisselle	Si vous ne frottez pas et ne rincez pas les plats avant le chargement
1 - 3	Quatre fois par an	Une fois par mois
4 - 7		Deux fois par mois (tous les 15 jours)
8 - 12	Tous les 1,5 mois	Chaque semaine
13 - 14		Deux fois par semaine

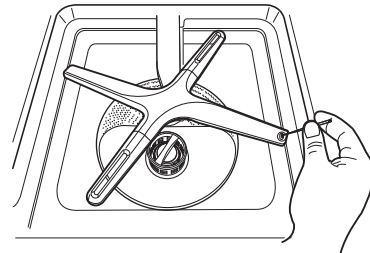
**Nettoyage du bras de lavage**

Si les trous du bras de lavage sont bloqués par des résidus alimentaires, la vaisselle pourrait ne pas être bien nettoyée à cause d'un jet d'eau incorrect.

Il est recommandé de nettoyer les bras de lavage toutes les deux semaines.

**Nettoyage du bras de lavage inférieur**

- Assurez-vous que les trous du jet d'eau ne sont pas bloqués par des miettes de nourriture.
- Si un résidu alimentaire bloque les trous du bras de lavage, retirez-le avec une épingle ou un objet pointu.

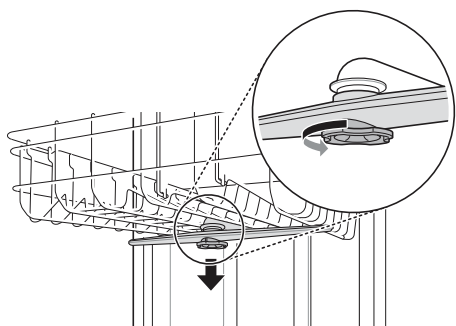


**⚠ MISE EN GARDE**

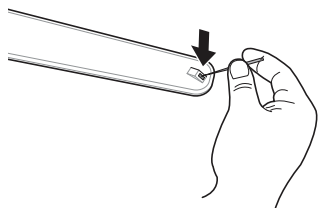
- Pour éviter d'abîmer les différentes pièces du gicleur rotatif, ne tirez pas dessus et ne les faites pas tourner manuellement.

## Nettoyage du bras de lavage supérieur

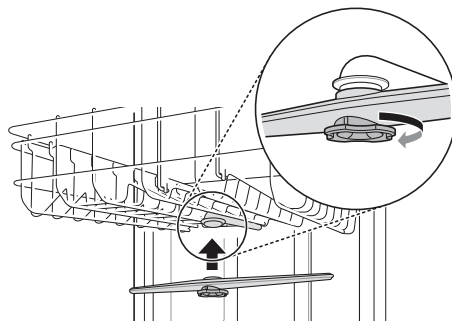
- 1 Tirez le panier supérieur vers l'avant. Assurez-vous que les trous du jet d'eau ne sont pas bloqués par des miettes de nourriture.
- 2 Si un nettoyage est nécessaire, retirez le gicleur supérieur en tournant l'écrou situé au bas du gicleur de 1/8 de tour dans le sens inverse des aiguilles d'une montre et en le tirant vers le bas.



- 3 Rincez ou agitez le bras de lavage pour enlever les miettes de nourriture.
- 4 Si un résidu alimentaire bloque les trous du bras de lavage, retirez-le avec une épingle ou un objet pointu.



- 5 Après avoir enlevé le résidu alimentaire, nettoyez les bras de lavage sous l'eau courante.
- 6 Après avoir nettoyé le bras de lavage supérieur, enfoncez-le pour le remettre en place. Tournez l'écrou de 1/8 de tour dans le sens horaire et assurez-vous que l'écrou se verrouille dans sa position initiale.



- 7 Après l'assemblage, assurez-vous que les bras de lavage tournent librement.

## Entretien saisonnier et rangement

- Si vous vous absentez pour une longue période durant les mois les plus chauds, fermez l'arrivée d'eau et débranchez le câble d'alimentation électrique, ou éteignez le disjoncteur. Nettoyez le filtre, la cuve et le distributeur pour éviter les mauvaises odeurs.
- Si vous vous absentez pour une longue période durant les mois de la saison froide et que le temps risque d'être glacial, préparez les conduites d'alimentation en eau et le lave-vaisselle pour l'hiver. La préparation pour l'hiver doit être effectuée par un professionnel qualifié.

# DÉPANNAGE

La laveuse est dotée d'un système de surveillance automatique des erreurs qui détecte et diagnostique très tôt les problèmes. Si la laveuse ne fonctionne pas correctement ou ne fonctionne pas du tout, vérifiez ce qui suit avant d'appeler un technicien.

## Avant d'appeler le réparateur

### FAQ

**Q : Est-ce que l'utilisation de ce lave-vaisselle nécessite un produit de rinçage?**

R : Le produit de rinçage est fortement recommandé pour améliorer la performance de séchage du lave-vaisselle. En l'absence de produit de rinçage, il peut rester de l'eau sur les plats et sur la cuve. Le produit de rinçage permet de garantir que la plus grande partie de l'eau a été évacuée des plats à la fin du rinçage et que le chargement est prêt pour le cycle de séchage.

**Q : Que puis-je faire si mes plats sont recouverts d'un film brumeux et blanc après un lavage?**

R : Le film brumeux est généralement causé par la réaction des minéraux de l'eau avec le détergent du lave-vaisselle. Assurez-vous d'abord de ne pas trop utiliser de détergent. Consultez la section **Ajout de détergent dans le distributeur** pour connaître les quantités de détergent recommandées. Ajoutez un rinçage supplémentaire au cycle. Les lave-vaisselle de LG nécessitent moins d'eau que les lave-vaisselle traditionnels; par conséquent, un rinçage supplémentaire aide à faire disparaître le film. Si l'alimentation en eau contient du calcaire, il peut être nécessaire d'ajouter un renforçateur pour régler le problème des marques.

**Q : Comment puis-je faire disparaître la pellicule blanche dans la cuve?**

R : Mesurez 3 cuillères à soupe (40 g) d'acide citrique en poudre et remplissez le compartiment principal de détergent. Lancez le cycle **Machine Clean (Nettoyage de l'appareil) (Download Cycle (Téléchargement d'un cycle) : P1)**. N'utilisez pas de détergent.

**Q : Quelles étapes puis-je suivre pour améliorer le séchage?**

R : La performance du séchage est directement attribuable à la chaleur restant dans la cuve après le rinçage à chaud. Si votre lave-vaisselle est situé loin de votre chauffe-eau, il peut être nécessaire d'ouvrir le robinet d'eau chaude de l'évier avant de commencer un cycle de lavage, afin d'assurer l'évacuation de l'eau froide des conduites. Cela garantira que votre lave-vaisselle reçoit de l'eau chaude du début à la fin. Le réglage **High Temp. (Température élevée)** aide également à maintenir élevée la température de la cuve interne et celle des plats avant le début du séchage. Les lave-vaisselle LG sont conçus pour être utilisés avec un produit de rinçage. Le produit de nettoyage maximise la quantité d'eau déjà évacuée des plats avant le début du cycle de séchage. Si vous utilisez un produit de rinçage et que les performances ne sont pas satisfaisantes, ajustez le montant de produit de rinçage envoyé. Le réglage par défaut est à 2. Au besoin, réglez ce niveau à 3 pour utiliser plus de produit de rinçage. L'eau a tendance à perler sur le plastique et les surfaces antiadhésives plutôt que de glisser, ce qui rend ces surfaces plus difficiles à sécher. Si vous lavez des articles en plastique à l'aide du cycle normal, sélectionnez l'option **Dry Boost (Séchage extra)** ou **Night Dry (Séchage de nuit)**, ou les deux, pour obtenir des résultats de séchage optimaux. Lorsque le distributeur d'agent de rinçage est vide, l'option **Dry Boost (Séchage extra)** est sélectionnée automatiquement (sauf pour un cycle **Normal de 1 Hour (1 Heure)**).

Laissez le lave-vaisselle finir le cycle de séchage avant d'ouvrir la porte. Si la porte s'ouvre en cours de cycle de séchage, la chaleur nécessaire au fonctionnement du système de séchage hybride s'échappera. Par conséquent, tous les plats seront encore humides à la fin du cycle.

**Q : Qu'est-ce que le système de séchage hybride?**

R : Le lave-vaisselle ne se base pas sur un élément de chauffage pour la procédure de séchage; il se base plutôt sur la chaleur retenue par la vaisselle et la cuve durant les cycles de lavage et de rinçage pour transformer la vapeur d'eau de la cuve en humidité. L'air chaud et humide du lave-vaisselle est ensuite évacué par un ventilateur vers un tuyau de condensation situé dans la porte. L'air se refroidit, ce qui condense l'humidité. L'air de la pièce est également ventilé dans le tuyau pour accélérer le refroidissement. Lorsque l'humidité se condense en eau, elle est évacuée.

### REMARQUE

- Le produit de rinçage est nécessaire pour améliorer le séchage. En l'absence de produit de rinçage, il peut rester de l'eau sur les plats et sur la cuve.

#### Q : Pourquoi le lave-vaisselle émet-il un sifflement?

R : Il est important de déterminer la durée du bruit et le moment auquel il se produit (quelle partie du cycle). Lorsque l'eau est envoyée dans le lave-vaisselle, un sifflement peut se produire. Cela est normal. Si la pression d'eau est trop forte, celui-ci sera plus fort et il sera peut-être nécessaire d'ajuster le robinet d'arrivée d'eau pour faire baisser la pression si le bruit est trop fort.

#### Q : Quels types de plats peuvent être mis dans le lave-vaisselle?

R : Assurez-vous que les plats que vous mettez dans le lave-vaisselle sont prévus pour cela. Les plats en plastique ne sèchent pas aussi efficacement que les plats en verre et en métal. Les plats en plastique ne retiennent pas la chaleur aussi efficacement que les plats en verre et en métal. Les verres et les plats en plastique peuvent nécessiter un séchage à la main avant d'être rangés à la fin du cycle.

#### Q : Puis-je effectuer un cycle de purge seulement?

R : Pour évacuer l'eau qui reste, appuyez et maintenez le bouton **START (Démarrage)** pendant trois secondes jusqu'à ce que le cycle s'arrête. Une fois l'eau évacuée, le lave-vaisselle se met hors tension.

#### Q : Pourquoi mon lave-vaisselle sonne-t-il continuellement lorsque j'ouvre la porte en cours de cycle ou juste après la fin d'un cycle?

R : Cela est normal. Le lave-vaisselle vous avertit que la température à l'intérieur de l'appareil est très chaude et de faire attention lorsque vous accédez à l'intérieur. Une fois que l'appareil a refroidi, le signal sonore s'arrêtera.

#### Q : Qu'est-ce que Control Lock (Verrouillage des commandes) et comment l'active-t-on?

R : La fonctionnalité **Control Lock (Verrouillage des commandes)** empêche la modification des commandes pendant un cycle. Elle n'empêche pas la porte d'être ouverte et n'empêche pas l'appareil d'être éteint. Pour activer ou désactiver cette fonctionnalité, appuyez simultanément sur **Night Dry (Séchage de nuit)** et **Delay Start (Démarrage programmé)** pendant trois secondes.

#### Q : Puis-je ajouter une rallonge au tuyau de vidange?

R : Si une rallonge de tuyau de vidange est nécessaire, utilisez un tuyau de 2 ou 3 pieds au diamètre intérieur de 5/8 po ou de 7/8 po et un coupleur pour raccorder les deux extrémités de tuyau.

#### Q : Un voyant à DEL clignote, l'appareil émet un son et il ne démarre pas. Qu'est-ce qui ne va pas avec le lave-vaisselle?

R : Il s'agit d'une fonction de sécurité. La porte doit être fermée dans les quatre secondes après avoir appuyé sur le bouton **START (Démarrage)**. Si la porte n'est pas fermée dans les quatre secondes, un voyant DEL se met à clignoter, une tonalité se fait entendre et le lave-vaisselle ne fonctionne pas. Pour démarrer le lave-vaisselle, ouvrez la porte et vous pouvez soit refermer la porte et appuyer sur **START (Démarrage)** (commandes frontales), soit appuyer sur **START (Démarrage)** et refermer la porte dans les quatre secondes suivantes (commandes sur le dessus).

#### Q : Dois-je rincer la vaisselle avant de la charger?

R : Non, vous n'avez pas besoin de rincer la vaisselle avant de la charger, particulièrement si vous utilisez les cycles **Normal** et **Auto**. Le lave-vaisselle rend la vaisselle propre sans que vous ayez à la rincer au préalable.

## Vidéos d'aide aux utilisateurs

Pour plus d'aide, il existe des vidéos et des tutoriels disponibles sur le site LG.com.

**1** Rendez-vous sur la page d'accueil du site [www.lg.com/ca\\_fr](http://www.lg.com/ca_fr) et cliquez sur l'onglet **Soutien** pour afficher le menu. Sélectionnez **Tutoriels vidéo**.

**2** Choisissez une catégorie de produits et un thème, ou effectuez une recherche à l'aide d'un mot-clé.

### REMARQUE

- Balayez ce code QR pour accéder rapidement à la page de recherche de vidéos du site Internet de LG.



## Messages d'erreur

Symptômes	Causes possibles et solutions
IE	<p><b>Problème d'arrivée d'eau.</b></p> <ul style="list-style-type: none"> <li>• Vérifiez si le tuyau d'arrivée d'eau est obstrué, plié ou gelé.</li> <li>• Vérifiez l'alimentation en eau.</li> </ul>
DE	<p><b>Problème de vidange.</b></p> <ul style="list-style-type: none"> <li>• Vérifiez si le tuyau de vidange de l'eau est obstrué, plié ou gelé.</li> </ul>
	<p><b>Obstruction de la coupure antirefoulement ou du broyeur.</b></p> <ul style="list-style-type: none"> <li>• Nettoyez la coupure antirefoulement ou le broyeur.</li> </ul>
	<p><b>Les filtres sont obstrués.</b></p> <ul style="list-style-type: none"> <li>• Nettoyez les filtres.</li> </ul>
bE	<p><b>Surplus de mousse causé par un détergent inadéquat, tel que du liquide vaisselle.</b></p> <ul style="list-style-type: none"> <li>• N'utilisez pas de liquides vaisselle classiques. Utilisez uniquement des détergents conçus pour être utilisés dans des lave-vaisselles automatiques.</li> <li>• Une erreur bE peut apparaître sides plats souillés avec beaucoup d'aliments mousseux, comme de la crème fouettée, sont chargés dans l'appareil. Pour effacer l'erreur, éteignez l'appareil et lancez un nouveau cycle.</li> <li>• Pour nettoyer les résidus de détergent de la cuve, versez environ 4 oz ~ 8 oz (100 ml ~ 200 ml) de lait dans un bol peu profond et placez-le dans le panier du haut, puis démarrez le cycle <b>Auto</b> du lave-vaisselle.</li> </ul>
	<p><b>Incapacité de mettre le lave-vaisselle au niveau.</b></p> <ul style="list-style-type: none"> <li>• Assurez-vous que l'appareil est adéquatement mis au niveau.</li> </ul>
RE	<p><b>Fuite d'eau.</b></p> <ul style="list-style-type: none"> <li>• Coupez l'alimentation en eau du lave-vaisselle et contactez un Centre d'information à la clientèle de LG Electronics en composant le 1 800 243-0000 (É.-U.) ou le 1 888 542-2623 (Canada).</li> <li>• Le lave-vaisselle émet une tonalité d'alerte pendant 10 secondes puis active la pompe de vidange de façon intermittente. Si l'alimentation électrique est interrompue, l'appareil se rallume automatiquement jusqu'à ce que l'erreur AE soit résolue.</li> </ul>

Symptômes	Causes possibles et solutions
FE	<b>L'alimentation en eau est trop grande.</b> <ul style="list-style-type: none"> <li>• Veuillez appeler un centre d'information à la clientèle de LG Electronics au numéro 1 800 243-0000 (États-Unis) 1 888 542-2623 (Canada).</li> </ul>
HE	<b>Circuit de chauffage défectueux.</b> <ul style="list-style-type: none"> <li>• Veuillez appeler un centre d'information à la clientèle de LG Electronics au numéro 1 800 243-0000 (États-Unis) 1 888 542-2623 (Canada).</li> </ul>
EE	<b>Erreur du capteur de température de l'eau</b> <ul style="list-style-type: none"> <li>• Veuillez appeler un centre d'information à la clientèle de LG Electronics au numéro 1 800 243-0000 (États-Unis) 1 888 542-2623 (Canada).</li> </ul>
F35	<b>Erreur du capteur de température de l'air chauffé</b> <ul style="list-style-type: none"> <li>• Veuillez appeler un centre d'information à la clientèle de LG Electronics au numéro 1 800 243-0000 (États-Unis) 1 888 542-2623 (Canada).</li> </ul>
LE	<b>Erreur du moteur de la laveuse</b> <ul style="list-style-type: none"> <li>• Veuillez appeler un centre d'information à la clientèle de LG Electronics au numéro 1 800 243-0000 (États-Unis) 1 888 542-2623 (Canada).</li> </ul>
F31	<b>Erreur du moteur du ventilateur de séchage à l'air avec chaleur</b> <ul style="list-style-type: none"> <li>• Veuillez appeler un centre d'information à la clientèle de LG Electronics au numéro 1 800 243-0000 (États-Unis) 1 888 542-2623 (Canada).</li> </ul>
nE	<b>Erreur du moteur Vario</b> <ul style="list-style-type: none"> <li>• Veuillez appeler un centre d'information à la clientèle de LG Electronics au numéro 1 800 243-0000 (États-Unis) 1 888 542-2623 (Canada).</li> </ul>
P1, P2, P3, P4, P5, P6, P7	<b>Le cycle téléchargé Download Cycle (Téléchargement d'un cycle) est sélectionné.</b> <ul style="list-style-type: none"> <li>• Cela n'est pas un code d'erreur. Ce code indique le cycle téléchargé <b>Download Cycle (Téléchargement d'un cycle)</b> en cours.</li> </ul>
n:#, U:#, d:#, t# (# est un nombre.)	<b>Le mode Test est sélectionné.</b> <ul style="list-style-type: none"> <li>• Cela n'est pas un code d'erreur. Ce code est employé lors de la mise à l'essai du lave-vaisselle. Éteignez l'appareil, puis rallumez-le, et le code disparaîtra.</li> </ul>
L0, L1, L2, L3, L4	<b>Le mode de réglage du niveau d'agent de rinçage est sélectionné.</b> <ul style="list-style-type: none"> <li>• Cela n'est pas un code d'erreur. Ce code indique le niveau actuel d'agent de rinçage. Pour obtenir davantage de renseignements, veuillez consulter la section <b>Ajout de produits de nettoyage</b>.</li> </ul>
CL	<b>Le verrouillage de sécurité Control Lock (Verrouillage des commandes) est activé.</b> <ul style="list-style-type: none"> <li>• Cela n'est pas un code d'erreur. Ce code indique que le verrouillage de sécurité est activé. Maintenez les boutons <b>Night Dry (Séchage de nuit)</b> et <b>Delay Start (Démarrage programmé)</b> enfoncés simultanément pendant trois secondes.</li> </ul>

## FONCTIONNEMENT

Symptômes	Causes possibles et solutions
Le lave-vaisselle ne fonctionne pas.	<b>On n'a pas appuyé sur le bouton START (Démarrage).</b> <ul style="list-style-type: none"> <li>• Appuyez sur le bouton <b>START (Démarrage)</b>.</li> </ul>
	<b>La porte n'est pas complètement fermée.</b> <ul style="list-style-type: none"> <li>• Assurez-vous que la porte est complètement fermée et verrouillée.</li> </ul>
	<b>L'alimentation ou le câble d'alimentation électrique n'est pas raccordé(e).</b> <ul style="list-style-type: none"> <li>• Raccordez l'alimentation ou le câble d'alimentation électrique.</li> </ul>

Symptômes	Causes possibles et solutions
Le lave-vaisselle ne fonctionne pas.	<p><b>Le fusible est grillé ou le disjoncteur a basculé.</b></p> <ul style="list-style-type: none"> <li>Remplacez le fusible ou réenclenchez le disjoncteur.</li> </ul>
	<p><b>Le verrouillage de sécurité Control Lock (Verrouillage des commandes) est activé.</b></p> <ul style="list-style-type: none"> <li>Désactivez le verrouillage de sécurité <b>Control Lock (Verrouillage des commandes)</b>.</li> </ul>
Le lave-vaisselle fonctionne trop longtemps.	<p><b>Le lave-vaisselle est raccordé à l'eau froide.</b></p> <ul style="list-style-type: none"> <li>Vérifiez le raccordement de l'alimentation en eau ou le réglage du chauffe-eau. (Le chauffage de l'eau froide est plus long.)</li> </ul>
De l'eau reste dans la cuve après la fin du cycle.	<p><b>Le tuyau de vidange est plié ou obstrué.</b></p> <ul style="list-style-type: none"> <li>Ajustez le tuyau ou enlevez ce qui fait obstruction.</li> </ul>
Bruit	<p><b>Un certain niveau de bruit est normal pendant le fonctionnement.</b></p> <ul style="list-style-type: none"> <li>Ouverture du couvercle du bac de détergent.</li> <li>La pompe de vidange est activée au début du cycle de vidange.</li> </ul>
	<p><b>Le lave-vaisselle n'est pas à niveau.</b></p> <ul style="list-style-type: none"> <li>Réglez les pieds de nivellement.</li> </ul>
	<p><b>Un bras de lavage heurte les plats.</b></p> <ul style="list-style-type: none"> <li>Remplacez les plats.</li> </ul>
Les lumières ne s'allument pas.	<p><b>Le bloc d'alimentation n'est pas branché.</b></p> <ul style="list-style-type: none"> <li>Branchez l'alimentation électrique.</li> </ul>
Les bras de lavage ne tournent pas rondement.	<p><b>Les orifices des bras de lavage sont bloqués par les résidus alimentaires.</b></p> <ul style="list-style-type: none"> <li>Nettoyez les orifices des bras de lavage.</li> </ul>
Le panier supérieur n'est pas droit.	<p><b>Le panier est mal réglé.</b></p> <ul style="list-style-type: none"> <li>Consultez la section <b>Panier supérieur à hauteur réglable</b>.</li> </ul>
Le lave-vaisselle émet un signal sonore continu lorsque la porte est ouverte pendant un cycle ou immédiatement à la fin d'un cycle.	<p><b>Il s'agit d'une fonction de sécurité. Un contact avec de la vapeur qui s'échappe ou des articles chauds dans le lave-vaisselle peut entraîner des blessures.</b></p> <ul style="list-style-type: none"> <li>Fermez la porte jusqu'à ce que le lave-vaisselle et son contenu aient suffisamment refroidi. Le signal sonore s'arrêtera lorsque la porte sera fermée ou lorsque la température intérieure aura diminué.</li> </ul>
La porte ne se ferme pas complètement. (Pour les modèles dotés d'un panier à couverts.)	<p><b>Le panier à couverts n'est pas correctement inséré.</b></p> <ul style="list-style-type: none"> <li>Poussez la poignée de la porte pour bien fermer la porte jusqu'à ce qu'elle s'enclenche.</li> </ul>
Lorsqu'il est en marche, le lave-vaisselle émet un son si on touche au panneau.	<p><b>L'appareil peut émettre un son de commande désactivée si vous heurtez le panneau de commande ou y touchez durant le fonctionnement de l'appareil. Seules les touches Mise sous tension, START (Démarrage), Control Lock (Verrouillage des commandes) et Remote Start (Démarrage à distance) sont activées durant le fonctionnement de l'appareil pour empêcher le changement accidentel des réglages de cycle.</b></p> <ul style="list-style-type: none"> <li>Les sons des boutons peuvent être désactivés dans le <b>mode de réglage des options</b>. Reportez-vous à la section <b>Utilisation du mode de réglage des options</b>.</li> <li>L'alarme de fin de cycle et les tonalités d'alertes de sécurité demeureront fonctionnelles.</li> </ul>
Le cycle de lavage a été interrompu.	<p><b>On a ouvert la porte durant le cycle.</b></p> <ul style="list-style-type: none"> <li>Si la porte est ouverte durant un cycle, il faut appuyer sur la touche Start dans un délai de 4 minutes ou l'appareil s'éteindra et tous les réglages seront annulés.</li> </ul>

Symptômes	Causes possibles et solutions
Il y a une fuite à l'avant de l'appareil.	<b>Le lave-vaisselle n'a pas été installé de niveau.</b> <ul style="list-style-type: none"> <li>Assurez-vous que l'appareil est de niveau d'un côté à l'autre et de l'avant à l'arrière. Consultez les instructions de nivellement dans la section Installation.</li> </ul>
	<b>Utilisation du mauvais type de détergent.</b> <ul style="list-style-type: none"> <li>Si une production excessive de mousse cause une fuite, laissez la quantité de mousse diminuer pendant 24 heures, puis nettoyez l'intérieur de la cuve avec du lait.</li> </ul>

## Performances

Symptômes	Causes possibles et solutions
Odeur	<b>Le cycle précédent a cessé avant la fin et l'eau résiduelle reste dans le lave-vaisselle.</b> <ul style="list-style-type: none"> <li>Allumez l'appareil, exécutez l'option <b>Cancel (Annuler)</b> pour évacuer l'eau résiduelle, puis exécutez le cycle <b>1 Hour (1 Heure)</b> avec du détergent, mais avec un lave-vaisselle vide.</li> </ul>
	<b>Des résidus alimentaires restent au fond de l'appareil ou dans le filtre.</b> <ul style="list-style-type: none"> <li>Nettoyez le filtre et l'intérieur comme indiqué à la section <b>Entretien</b> du manuel du propriétaire.</li> </ul>
	<b>De la vaisselle non lavée est laissée dans l'appareil pendant une période prolongée.</b> <ul style="list-style-type: none"> <li>Exécutez un cycle avec une tasse de vinaigre blanc dans un verre ou un bol pour lave-vaisselle placé dans le panier supérieur. (Le vinaigre est un acide et, en cas d'utilisation intensive, il risque d'endommager votre appareil.)</li> </ul>
	<b>Après le nettoyage, l'appareil dégage une odeur de détergent.</b> <ul style="list-style-type: none"> <li>Cela est normal.</li> </ul>
Il reste des résidus d'aliments sur les plats.	<b>La sélection du cycle est inadéquate.</b> <ul style="list-style-type: none"> <li>Sélectionnez le cycle adéquat selon le niveau de saleté et le type de vaisselle à laver.</li> </ul>
	<b>La température de l'eau est trop basse.</b> <ul style="list-style-type: none"> <li>Vérifiez le raccordement de l'alimentation en eau ou le réglage du chauffe-eau.</li> </ul>
	<b>Le détergent du lave-vaisselle n'a pas été utilisé.</b> <ul style="list-style-type: none"> <li>Utilisez un détergent recommandé.</li> </ul>
	<b>La pression de l'arrivée d'eau est trop faible.</b> <ul style="list-style-type: none"> <li>La pression de l'eau doit se situer entre 20 et 80 psi.</li> </ul>
	<b>Les orifices du jet d'eau des bras de lavage sont bloqués.</b> <ul style="list-style-type: none"> <li>Nettoyez les bras de lavage.</li> </ul>
	<b>Chargement incorrect des plats.</b> <ul style="list-style-type: none"> <li>Assurez-vous que les plats ne bloquent pas la rotation des bras de lavage et n'interfèrent pas avec l'ouverture du distributeur de détergent.</li> </ul>
	<b>Les filtres sont obstrués.</b> <ul style="list-style-type: none"> <li>Nettoyez les filtres.</li> </ul>
Ternissures sur les gobelets.	<b>Trop de détergent et trop d'eau dure.</b> <ul style="list-style-type: none"> <li>Utilisez moins de détergent et un produit de rinçage pour limiter les effets de ce problème.</li> </ul>
Marques noires ou grises sur la vaisselle.	<b>Les objets en aluminium frottent les plats pendant le cycle.</b> <ul style="list-style-type: none"> <li>Remplacez les plats.</li> </ul>

Symptômes	Causes possibles et solutions
<b>Film jaune ou marron sur les parois intérieures du lave-vaisselle.</b>	<p><b>Taches de café ou de thé.</b></p> <ul style="list-style-type: none"> <li>Éliminez ces taches à l'aide d'un produit détachant.</li> </ul>
<b>Traces et film sur les plats.</b>	<p><b>Température de l'eau trop basse.</b></p> <ul style="list-style-type: none"> <li>La température de l'alimentation en eau doit être d'au moins 120 °F (49 °C) pour obtenir un lavage optimal.</li> </ul>
	<p><b>Surcharge.</b></p> <ul style="list-style-type: none"> <li>Ne surchargez pas le lave-vaisselle.</li> </ul>
	<p><b>Chargement incorrect.</b></p> <ul style="list-style-type: none"> <li>Consultez la section <b>Fonctionnement</b>.</li> </ul>
	<p><b>Pression d'eau insuffisante.</b></p> <ul style="list-style-type: none"> <li>La pression de l'eau doit se situer entre 20 et 80 psi.</li> </ul>
	<p><b>Détergent insuffisant.</b></p> <ul style="list-style-type: none"> <li>Utilisez la quantité de détergent recommandée. Reportez-vous à la section <b>Fonctionnement</b>.</li> </ul>
	<p><b>Le distributeur de produit de rinçage est vide.</b></p> <ul style="list-style-type: none"> <li>Rechargez le distributeur de produit de rinçage.</li> </ul>
	<p><b>Accumulation d'eau dure dans la cuve.</b></p> <ul style="list-style-type: none"> <li>Retirez tous les plats, les ustensiles et le support à ustensiles du lave-vaisselle. Seuls les paniers doivent rester dans la cuve. Pour des résultats optimaux, utilisez de la poudre d'acide citrique (en vente dans la section de la mise en conserve de la plupart des épiceries ou en ligne). Mesurez 3 cuillères à soupe (40 g) de poudre d'acide citrique. Remplissez le compartiment principal de la poudre mesurée. Si vous n'êtes pas en mesure de vous procurer de la poudre d'acide citrique, versez environ une tasse (200 ml à 300 ml) de vinaigre blanc dans un bol peu profond et placez-le dans le panier supérieur. Exécutez un cycle <b>Machine Clean (Nettoyage de l'appareil) (Download Cycle (Téléchargement d'un cycle) : P1)</b>. N'utilisez pas de détergent.</li> </ul>
<b>Les plats ne sèchent pas.</b>	<p><b>Le distributeur de produit de rinçage est vide.</b></p> <ul style="list-style-type: none"> <li>Vérifiez et remplissez le distributeur de produit de rinçage s'il est vide.</li> </ul>

## Wi-Fi

Symptômes	Causes possibles et solutions
<b>Problème de connexion de l'appareil et du téléphone intelligent au réseau Wi-Fi</b>	<p><b>Le mot de passe du réseau Wi-Fi a été saisi de manière incorrecte.</b></p> <ul style="list-style-type: none"> <li>Supprimez votre réseau Wi-Fi domestique et recommencez le processus de connexion.</li> </ul>
	<p><b>Les Données mobiles de votre téléphone intelligent sont activées.</b></p> <ul style="list-style-type: none"> <li>Désactivez les <b>données mobiles</b> de votre téléphone intelligent avant de connecter l'appareil.</li> </ul>
	<p><b>Le nom du réseau sans fil (SSID) est erroné.</b></p> <ul style="list-style-type: none"> <li>Le nom du réseau sans fil (SSID) doit être une combinaison de lettres et de chiffres anglais. (N'utilisez pas de caractères spéciaux.)</li> </ul>
	<p><b>La fréquence du routeur n'est pas de 2,4 GHz.</b></p> <ul style="list-style-type: none"> <li>Seule une fréquence de routeur de 2,4 GHz est prise en charge. Réglez le routeur sans fil à 2,4 GHz et connectez-y l'appareil. Pour connaître la fréquence du routeur, informez-vous auprès de votre fournisseur de services Internet ou du fabricant du routeur.</li> </ul>

Symptômes	Causes possibles et solutions
<b>Problème de connexion de l'appareil et du téléphone intelligent au réseau Wi-Fi</b>	<b>La distance entre l'appareil et le routeur est trop grande.</b> <ul style="list-style-type: none"><li>• Si la distance entre l'appareil et le routeur est trop grande, le signal peut être faible et la connexion peut ne pas être configurée correctement. Déplacez le routeur afin qu'il soit plus près de l'appareil ou achetez et installez un répéteur Wi-Fi.</li></ul>

# GARANTIE LIMITÉE

## POUR CANADA

### CONDITIONS

**AVIS D'ARBITRAGE : LA PRÉSENTE GARANTIE LIMITÉE CONTIENT UNE DISPOSITION SUR L'ARBITRAGE QUI EXIGE QUE LE RÈGLEMENT DES DIFFÉRENDS ENTRE VOUS ET LG S'EFFECTUE PAR ARBITRAGE EXÉCUTOIRE PLUTÔT QUE DEVANT UN TRIBUNAL, À MOINS QUE LES LOIS DE VOTRE PROVINCE OU TERRITOIRE L'INTERDISSENT OU QUE, DANS UN AUTRE TERRITOIRE DE COMPÉTENCE, VOUS VOUS PRÉVÉALIEZ D'UNE OPTION DE RETRAIT. LES RECOURS COLLECTIFS ET LES PROCÈS DEVANT JURY NE SONT PAS AUTORISÉS PAR LE PROCESSUS D'ARBITRAGE. VEUILLEZ VOUS RÉFÉRER CI-DESSOUS À L'ARTICLE « PROCÉDURE DE RÈGLEMENT DE DIFFÉREND ».**

Si votre lave-vaisselle LG ("Produit") a tombé en panne en raison d'un défaut de matériaux ou de fabrication sous une utilisation normale et appropriée, pendant la période de garantie indiquée ci-dessous, LG Electronics Canada Inc. («LGECI»), à son gré, réparera ou remplacera le «Produit» ou un offrira un remboursement au prorata après réception de la preuve d'achat originale au détail. Cette garantie limitée est valable uniquement qu'à l'acheteur original du «Produit» du détaillant et s'applique uniquement à un produit distribué, cacheté d'un détaillant autorisé et utilisé au Canada, tel que déterminé à la seule discrétion de «LGECI».

PÉRIODE DE GARANTIE: (Note : Si la date d'achat originale ne peut être vérifiée, la garantie commencera soixante (60) jours après la date de fabrication.)		
Lave-vaisselle	Garantie étendue des composants (pièces seulement) (La main-d'oeuvre sera à la charge du client un (1) an après la date d'achat.)	
Un (1) an après la date d'achat original de l'appareil.	Deux (2) ans à compter de la date d'achat initiale de l'appareil.	Dix (10) ans après la date d'achat original de l'appareil.
Main-d'œuvre/pièces (pièces internes/fonctionnelles seulement)	Panneau de contrôle principal†, panier, revêtement de la porte en acier inoxydable, cuve	Moteur DD

† Le panneau de contrôle principal est situé en bas à droite du lave-vaisselle, vu de face.

- Les produits et pièces de remplacement sont garantis pour la portion restante de la période de garantie originale ou quatre-vingt-dix (90) jours, selon la période la plus longue.
- Les produits et pièces de rechange peuvent être neufs, reconditionnés, remis à neuf ou autrement fabriqués en usine, tous à la seule discrétion de «LGECI».
- Une preuve de l'achat original détaillant le modèle du produit et la date d'achat est exigée pour obtenir le service de garantie en vertu de cette garantie limitée.

**LA RESPONSABILITÉ DE LGECI EST LIMITÉE À LA GARANTIE LIMITÉE EXPRIMÉE CI-DESSUS. SAUF TEL QU'EXPRESSÉMENT FOURNI CI-DESSUS, LGECI DÉCLINE TOUTE AUTRE GARANTIE ET CONDITION CONCERNANT LE PRODUIT, EXPLICITE OU IMPLICITE, Y COMPRIS, MAIS SANS S'Y LIMITER, TOUTE GARANTIE IMPLICITE OU CONDITION DE QUALITÉ MARCHANDE OU D'ADAPTATION À UN USAGE PARTICULIER, ET AUCUNE REPRÉSENTATION NE SERA LIÉE À LGECI. LGECI N'AUTORISE AUCUNE PERSONNE À CRÉER OU ENSOSSER À SA PLACE QUELCONQUE AUTRE OBLIGATION DE GARANTIE OU RESPONSABILITÉ RELATIVE AU PRODUIT. DANS LA MESURE OÙ TOUTE GARANTIE OU CONDITION EST IMPLICITE PAR LA LOI, ELLE EST LIMITÉE À LA PÉRIODE DE GARANTIE DÉCLARÉE CI-DESSUS. EN AUCUN CAS, LGECI, LE FABRICANT OU LE DISTRIBUTEUR DU PRODUIT, NE SERA TENU RESPONSABLE DE TOUT DOMMAGE ACCESSOIRE, CONSÉCUTIF, SPÉCIAL, DIRECT, INDIRECT, PUNITIF OU EXEMPLAIRE, Y COMPRIS, SANS LIMITATION, LA PERTE DE COTE D'ESTIME, PERTE DE PROFITS, PERTE DE PROFITS ANTICIPÉS, PERTE DE REVENUS, PERTE D'UTILISATION OU DE TOUT AUTRE DOMMAGE, QU'IL SOIT PROVENU DIRECTEMENT OU INDIRECTEMENT DE TOUTE INFRACTION CONTRACTUELLE, VIOLATION FONDAMENTALE, DÉLICTEUELLE OU AUTRE, OU DE TOUT ACTE OU OMISSION. LA RESPONSABILITÉ TOTALE DE LGECI, S'IL EN EST, N'OUTREPASSERA PAS LE PRIX D'ACHAT PAYÉ PAR VOUS POUR LE PRODUIT.**

Cette garantie limitée vous donne des droits légaux spécifiques. Vous pouvez également avoir d'autres droits qui varient d'une province à l'autre selon les lois provinciales applicables. Tout terme de cette Garantie limitée qui nie ou modifie toute condition ou garantie implicite en vertu de la loi provinciale est divisible lorsqu'elle est en conflit avec cette loi provinciale sans affecter le reste des termes de cette garantie.

## LA PRÉSENTE GARANTIE LIMITÉE NE COUVRE PAS CE QUI SUIT :

- Tout déplacement du technicien pour : i) livrer, reprendre, installer ou; éduquer comment utiliser le Produit; ii) corriger le câblage ou plomberie; ou iii) rectifier toute réparation ou installation non-autorisée du Produit;
- Dommage ou panne du Produit à performer lors de panne de courant et service électrique inadéquat ou interrompu;
- Dommage ou panne en raison de tuyaux d'eau brisés ou dont l'eau fuit, conduite d'eau gelée, conduite de récupération obstruée, approvisionnement d'eau inadéquat ou interrompu ou ravitaillement d'air inadéquat;
- Dommage ou panne résultant de l'utilisation du Produit dans un environnement corrosif ou contraire aux instructions détaillées dans le manuel d'utilisation du Produit;
- Dommage ou panne du Produit en raison d'accidents, ravageurs et parasites, foudre, vent, feu, inondations, actes de Dieu ou toute autre raison hors du contrôle de LGECI ou du fabricant;
- Dommage ou panne résultant d'utilisation inappropriée ou abusive ou d'installation, réparation ou entretien imparfait du Produit. Réparation imparfaite inclut l'utilisation de pièces non autorisées ou spécifiées par LGECI. Installation ou entretien imparfait inclut toute installation ou entretien contraire aux instructions détaillées au manuel d'utilisation du Produit;
- Dommage ou panne en raison de modification ou altération non autorisée du Produit, ou si utilisé pour fins autres que celle d'appareil ménager domestique, ou dommage ou panne résultant de toute fuite d'eau due à une mauvaise installation du produit;
- Dommage ou panne en raison de courant électrique, tension ou codes de plomberie incorrects;
- Dommage ou panne en raison d'utilisation autre que celle d'appareil ménager domestique normale, incluant, sans limite, l'utilisation commerciale ou industrielle, incluant l'utilisation au bureau commercial ou centre récréatif, ou détaillée autrement au manuel d'utilisation du Produit;
- Dommage ou panne en raison d'utilisation de tout accessoire, composant ou produit nettoyant, incluant, sans limite, filtres à eau non autorisés par LGECI;
- Dommage ou panne provoqué par le transport et la manipulation, y compris rayures, bosses, écaillage et/ou autre endommagement à la finition du Produit, à moins qu'un tel dommage résulte d'une fabrication ou de matériaux défectueux et qu'il soit signalé à LGECI dans un délai d'une (1) semaine suivant la livraison du Produit;
- Dommage or articles absents de tout Produit démonstrateur, boîte ouverte, réusiné ou escompté;
- Produit réusiné ou tout Produit vendu "Tel quel", "Où est", "Avec tous défauts", ou toute mise en garde similaire;
- Produit dont le numéro de série original ait été retiré, altéré ou ne peut être facilement déterminé à la discrétion de LGECI;
- Augmentation de la facture d'électricité et dépenses additionnelles d'utilité de quelque manière associée au Produit;
- Tout bruit associé au fonctionnement normal du Produit;
- Remplacement de toute pièce n'étant pas originalement incluse avec le Produit;
- Remplacement des ampoules, filtres, fusibles ou tout autre élément consommable;
- Coûts associés au retrait et/ou réinstallation du Produit pour fins de réparation; et
- Les clayettes, bacs, tiroirs, poignées et accessoires du Produit, sauf les pièces internes / fonctionnelles couvertes par cette garantie limitée.

- Couverture pour réparations à domicile, pour produit sous garantie, sera fournie si le Produit se trouve dans un rayon de 150 km du centre de service autorisé (ASC) le plus près, tel que déterminé par LG Canada. Si votre Produit est situé à l'extérieur du rayon de 150 km d'un centre de service autorisé, tel que déterminé par LG Canada, il en ira de votre responsabilité d'apporter votre Produit, à vos frais, au centre de service (ASC) pour réparation sous garantie.

**Tous coûts et dépenses associés aux circonstances d'exclusion ci-dessus, énumérés sous la rubrique « La présente garantie limitée ne couvre pas ce qui suit », sont à la charge du consommateur.**

AFIN D'OBTENIR SOUTIEN DE GARANTIE ET INFORMATIONS SUPPLÉMENTAIRES VEUILLEZ NOUS APPELER OU VISITER NOTRE SITE WEB :

Appelez le 1 888 542-2623 (7 h à minuit - l'année longue) et sélectionnez l'option appropriée du menu, ou visitez notre site Web à l'adresse <http://www.lg.com>.

### PROCÉDURE DE RÈGLEMENT DE DIFFÉREND :

SAUF LA OÙ LA LOI L'INTERDIT, TOUT DIFFÉREND ENTRE VOUS ET LG ASSOCIÉ DE QUELQUE FAÇON QUE CE SOIT À LA PRÉSENTE GARANTIE LIMITÉE SE RÈGLE EXCLUSIVEMENT PAR ARBITRAGE EXÉCUTOIRE PLUTÔT QUE DEVANT UN TRIBUNAL DE DROIT COMMUN. SAUF LA OÙ LA LOI L'INTERDIT, VOUS ET LG RENONCEZ IRRÉVOCABLEMENT À TOUT DROIT À UN PROCÈS DEVANT JURY, AINSI QU'À EXERCER UN RECOURS COLLECTIF OU À Y PARTICIPER.

**Définitions.** Aux fins du présent article, « LG » désigne LG Electronics Canada Inc., ses sociétés mères, ses filiales et ses sociétés affiliées et tous leurs dirigeants, administrateurs, employés, agents, bénéficiaires, détenteurs précédents des mêmes droits, successeurs, cessionnaires et fournisseurs; « différend » et « réclamation » englobent tout différend, réclamation ou litige de quelque sorte que ce soit (fondés sur une responsabilité contractuelle, délictuelle, légale, réglementaire ou découlant d'une ordonnance, par fraude, fausse représentation ou sous quelque régime de responsabilité que ce soit) découlant de quelque façon que ce soit de la vente, des conditions ou de l'exécution du produit ou de la présente Garantie limitée.

**Avis de différend.** Si vous prévoyez engager une procédure d'arbitrage, vous devez d'abord envoyer à LG un préavis écrit d'au moins 30 jours à l'adresse suivante : Équipe juridique LGEI, 20 Norelco Drive, North York, Ontario, Canada M9L 2X6 (l'« avis de différend »). Vous et LG convenez de discuter en toute bonne foi pour tenter de régler le différend à l'amiable. L'avis doit mentionner votre nom, votre adresse, votre numéro de téléphone, le produit faisant l'objet de la réclamation, la nature de la réclamation et la réparation demandée. Si vous et LG ne parvenez pas à régler le différend dans les 30 jours suivant la réception de l'avis de différend par LG, le différend doit être réglé par arbitrage exécutoire conformément à la procédure établie aux présentes. Vous et LG convenez que, tout au long du processus d'arbitrage, les modalités (y compris les montants) de toute offre de règlement formulée par vous ou par LG ne seront pas divulguées à l'arbitre et resteront confidentielles à moins d'accord contraire entre les deux parties ou que l'arbitre règle le différend.

**Entente d'arbitrage exécutoire et renonciation à un recours collectif.** Si la réclamation n'a pu être réglée dans les 30 jours suivant la réception de l'avis de différend par LG, vous et LG convenez de ne régler les réclamations vous opposant que par arbitrage exécutoire au cas par cas, à moins que vous vous prévaliez de l'option de retrait évoquée plus haut ou que vous résidiez dans un territoire de compétences qui interdit la pleine application de cette clause dans le cas de réclamations de ce type (Dans lequel cas, si vous êtes un consommateur, cette clause ne s'appliquera que si vous acceptez expressément l'arbitrage). Dans la mesure où la loi en vigueur le permet, aucun différend entre vous et LG ne peut être combiné ou regroupé avec un différend faisant intervenir le produit ou la réclamation d'une personne ou entité tierce. Plus précisément et sans limiter la portée de ce qui précède, sauf dans la mesure où une telle interdiction n'est pas autorisée en droit, en aucun cas un différend entre vous et LG ne peut être traité dans le cadre d'un recours collectif. Au lieu de l'arbitrage, les parties peuvent intenter une action individuelle devant une cour des petites créances, mais cette action ne peut pas être intentée dans le cadre d'un recours collectif, sauf dans la mesure où une telle interdiction n'est pas autorisée en droit dans votre province ou territoire de compétences pour une réclamation en cause qui nous oppose.

**Règles et procédures d'arbitrage.** Pour soumettre une réclamation à un arbitrage, l'une des deux parties, soit vous ou LG, doit déposer une demande écrite à cet effet. L'arbitrage est privé et confidentiel et s'effectue selon une procédure simplifiée et accélérée devant un arbitre unique choisi par les parties conformément aux lois et règlements en vigueur portant sur l'arbitrage commercial de votre province ou territoire de résidence. Vous devez également envoyer une copie de votre demande écrite à LG Electronics

Canada Inc., Legal Department - Arbitration, 20 Norelco Drive, North York, Ontario M9L 2X6. La présente disposition sur l'arbitrage est régie par les lois et règlements sur l'arbitrage commercial applicables de votre province ou territoire. La sentence arbitrale peut donner lieu à un jugement de n'importe quel tribunal compétent. Toutes les décisions relèvent de l'arbitre, à l'exception des questions associées à la portée et à l'applicabilité de la disposition sur l'arbitrage et à l'arbitrabilité du différend, qui sont du ressort du tribunal. L'arbitre est tenu de respecter les modalités de la présente disposition.

**Droit applicable.** Les lois de votre province ou territoire de achat régissent la présente Garantie limitée et tout différend entre nous, sauf dans la mesure où de telles lois sont supplantées par des lois fédérales, provinciales ou territoriales applicables ou sont incompatibles avec ces dernières. Si l'arbitrage n'est pas autorisé pour régler une réclamation, une poursuite, un différend ou un litige nous opposant, nous nous en remettons à la compétence exclusive des tribunaux de votre province ou territoire de achat compétence pour le règlement de la réclamation, de la poursuite, du différend ou du litige nous opposant.

**Frais et coûts.** Aucuns frais ne sont exigibles pour entamer une procédure d'arbitrage. À la réception de votre demande d'arbitrage écrite, LG réglera rapidement la totalité des frais de dépôt de la demande d'arbitrage, sauf si vous réclamez des dommages-intérêts supérieurs à 25 000 \$. Dans ce cas, le paiement de ces frais sera régi par les règles d'arbitrage applicables. Sauf disposition contraire aux présentes, LG paiera tous les frais de dépôt de demande et d'administration ainsi que les honoraires de l'arbitre conformément aux règles d'arbitrage applicables et à la présente disposition sur l'arbitrage. Si vous remportez l'arbitrage, LG règlera vos frais et honoraires juridiques après avoir déterminé s'ils sont raisonnables en se fondant sur des facteurs comme, entre autres, le montant de l'achat et le montant de la réclamation. Si l'arbitre juge que le motif de la réclamation ou les réparations demandées sont futiles ou se fondent sur des motifs déplacés (au regard des lois applicables), le paiement de tous les frais d'arbitrage sera régi par les règles d'arbitrage applicables. Dans un tel cas, vous acceptez de rembourser à LG la totalité des montants versés qu'il vous revient autrement de payer en vertu des règles d'arbitrage applicables. Sauf disposition contraire et si elle remporte l'arbitrage, LG renonce à tous ses droits de vous réclamer des frais et horaires juridiques.

**Audience et lieu de l'arbitrage.** Si votre réclamation est égale ou inférieure à 25 000 \$, vous pouvez opter pour un arbitrage conduit selon l'une des modalités suivantes uniquement : 1) sur examen des documents remis à l'arbitre, 2) par audience téléphonique ou 3) par audience en personne selon les dispositions des règles d'arbitrage applicables. Si votre réclamation dépasse 25 000 \$, le droit à une audience sera défini par les règles d'arbitrage applicables. Les audiences arbitrales en personne se tiendront à l'endroit le plus proche et le plus pratique pour les deux parties situé dans votre province ou votre territoire de résidence, sauf si nous convenons mutuellement d'un autre lieu ou d'un arbitrage par téléphone.

**Dissociabilité et renonciation.** Si une partie de la présente garantie limitée (y compris les présentes procédures d'arbitrage) n'est pas applicable, les dispositions restantes demeurent en vigueur dans la mesure permise par la loi applicable. Le fait de ne pas exiger la stricte exécution d'une disposition de la présente garantie limitée (y compris les présentes procédures d'arbitrage) ne signifie pas que nous ayons renoncé ni que nous ayons l'intention de renoncer à toute disposition ou partie de la présente garantie limitée.

**Option de retrait.** Vous pouvez vous retirer de la présente procédure de règlement de différend. Dans ce cas, ni vous ni LG ne pouvez imposer à l'autre partie de participer à une procédure d'arbitrage. Pour vous prévaloir de l'option de retrait, vous devez envoyer un préavis à LG dans les trente (30) jours civils à compter de la date de l'achat du produit par le premier acheteur i) dans un courriel adressé à [optout@lge.com](mailto:optout@lge.com) et dont la ligne d'objet porte la mention « Retrait de l'arbitrage » ou ii) en composant le 1-800-980-2973. Que ce soit par courriel ou par téléphone, vous devrez donner a) votre nom et votre adresse; b) la date d'achat du produit; c) le nom ou le numéro de modèle du produit et d) le numéro de série [qu'il est possible de trouver i) sur le produit ou ii) en ligne au [https://www.lg.com/ca\\_fr/soutien/repairongarantie/demande-reparation](https://www.lg.com/ca_fr/soutien/repairongarantie/demande-reparation), Trouver mes numéros de modèle et de série].

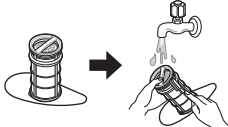
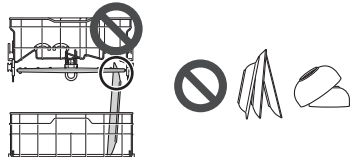
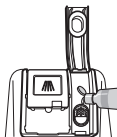
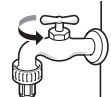

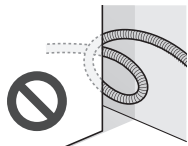
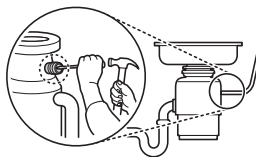
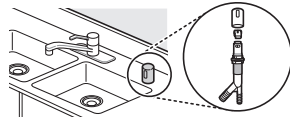
Si vous vous prévalez de l'option de retrait, les lois de votre province ou territoire de résidence régissent la présente Garantie limitée et tout différend entre nous, sauf dans la mesure où de telles lois sont supplantées par des lois fédérales, provinciales ou territoriales applicables ou sont incompatibles avec ces dernières. Si l'arbitrage n'est pas autorisé pour régler une réclamation, une poursuite, un différend ou un litige nous opposant, nous nous en remettons à la compétence exclusive des tribunaux de votre province ou territoire de compétence pour le règlement de la réclamation, de la poursuite, du différend ou du litige nous opposant.


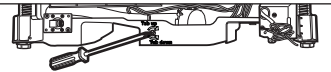
Vous ne pouvez vous prévaloir de l'option de retrait que de la manière décrite plus haut (c'est-à-dire par courriel ou par téléphone). Aucun autre type d'avis ne sera pris en compte pour le retrait de la présente

procédure de règlement de différend. Le fait de se retirer de la présente procédure de règlement de différend ne compromet d'aucune façon la protection accordée en vertu de la Garantie limitée, et vous continuerez à jouir de tous les avantages prévus par la Garantie limitée. Si vous conservez ce produit sans vous prévaloir de l'option de retrait, vous acceptez les conditions générales de la disposition sur l'arbitrage énoncée ci-dessus.

**Conflit de modalités.** En cas de conflit ou d'incompatibilité entre les modalités de la présente garantie limitée et le contrat de licence d'utilisation (CLU) en ce qui concerne le règlement des différends, les modalités de la présente garantie limitée contrôlent et régissent les droits et obligations des parties et ont préséance sur le CLU.

## Exceptions à la garantie

<p>Piètres résultats de lavage attribuables à des impuretés restées dans le filtre.</p>		<p>Nettoyez les filtres périodiquement.</p>
<p>Piètres résultats de lavage attribuables à un chargement incorrect ou excessif : le bras de lavage ne tourne pas ou le distributeur de savon est obstrué.</p>		<p>Assurez-vous qu'aucun plat ni aucun ustensile n'obstrue la rotation des bras de lavage. Ne placez pas un plat au-dessus d'un autre.</p>
<p>Piètres résultats de séchage attribuables à un manque de produit de rinçage.</p>		<p>Utilisez un produit de rinçage ou un détergent combiné.</p>
<p>L'eau n'entre pas, car la vanne d'eau n'est pas ouverte. Erreur IE</p>		<p>Ouvrez le robinet et vérifiez-le.</p>
<p>L'eau n'entre pas, car le tuyau d'arrivée d'eau est plié. Erreur IE</p>		<p>Réinstallez le tuyau d'entrée d'eau.</p>
<p>L'eau n'évacue pas, car le tuyau de vidange est plié. Erreur OE</p>		<p>Réinstallez le boyau d'évacuation.</p>
<p>Le bouchon du broyeur à déchets n'est pas retiré. Erreur OE</p>		<p>Retirez le bouchon du broyeur.</p>
<p>Des débris bloquent le broyeur ou la coupure antirefoulement. Erreur OE</p>		<p>Nettoyez le broyeur ou la coupure antirefoulement.</p>

<p>Le raccordement de la soupape d'aspiration et du tuyau de vidange est problématique en raison d'une installation incorrecte. Fuite externe</p>		<p>Réinstallez le tuyau.</p>
<p>La porte n'ouvre pas ou ne ferme pas en raison d'une mauvaise mise à niveau.</p>		<p>Réglez les pieds de nivellement inférieurs avant à la hauteur requise.</p>
<p>Aucune alimentation électrique en raison d'un câble d'alimentation électrique mal raccordé ou d'une prise électrique défectueuse.</p>		<p>Raccordez correctement le câble d'alimentation électrique ou réparez la prise de courant.</p>
<p>Livraison, câblage électrique, plomberie. Installation</p>		<p>L'installation vous sera facturée.</p>







**LG**

Life's Good

LG Customer Information Center

For inquiries or comments,  
visit [www.lg.com](http://www.lg.com) or call:

1-800-243-0000 U.S.A.

1-888-542-2623 CANADA

Register your product Online!

[www.lg.com](http://www.lg.com)