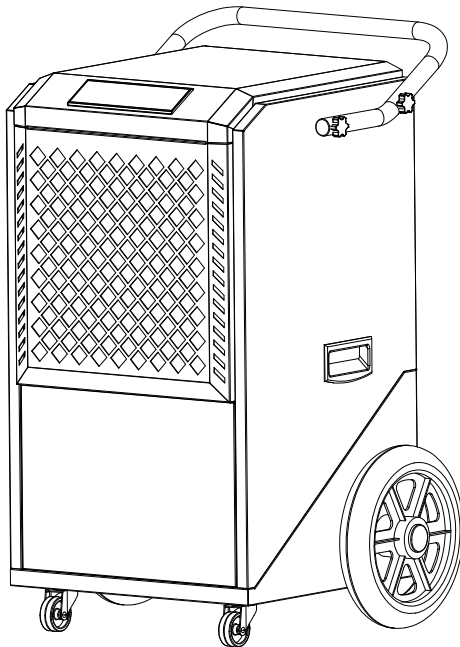




Commercial Dehumidifier User Manual



Please read this user manual before operating and save for future reference.

Model: DE260

BEFORE FIRST USE:

Please leave the dehumidifier sitting outside the box for **24 HOURS** before plugging it in.

The dehumidifiers may have been tilted or placed upside down during shipping. Leave The dehumidifier sits for 24 hours so the oil in the compressor can settle from the move, Not doing so can affect the performance or lifespan of the dehumidifier.



NOTE:

To continuously improve its products, ANDTE reserves the right to modify this information without prior notification. For any questions during assembly, please check the instructions on the product page for reference. Or contact our customer service with any questions, comments, or concerns , We are online 24H for you. Thank you for using ANDTE products in your home!

Welcome

Thanks for choosing **ANDTE** dehumidifier!

ANDTE is dedicated to keeping people healthy, comfortable and more enjoyable by offering quality appliances ranging from dehumidifiers to ice makers, and more. From breathing easier in your office to upgrading your kitchen appliances, we hope **ANDTE** could help you every step of the way.

**READ THIS MANUAL INSTRUCTION CAREFULLY BEFORE USING THE UNIT.
PLEASE KEEP THIS FOR FUTURE REFERENCE.**

ANDTE DE260 commercial dehumidifier can remove 250 PPD at saturation (95°F, 90% RH) and 110 PPD at AHAM (80°F, 60% RH) for an area of up to 8,000 square feet, reducing humidity to comfortable levels in a short period of time. This dehumidifier has a metal housing to withstand harsh environments, is safe and easy to use, guarantees long-term use and easy maintenance, plus we use a copper tube condenser and high quality and accurate sensors, it will be more effective and last longer.

When we design this dehumidifier, we fully consider the needs of different consumers, We design compact Smaller size, a strong carrying handle for easy handling; can be used directly or through our optional remote control system lifting use, the machine outlet with flange mouth, can be connected to the duct system. Automatic defrost system, optional remote control system, and all other features make it ideal for underground spaces, basements, crawl spaces, and commercial applications. We do hope you'll enjoy the dehumidifier you purchased from us.

Before plugging in your new dehumidifier, we suggest that you read this user manual as it contains important safety information, operation instructions, troubleshooting, maintenance tips, and warranty information to ensure the reliability and longevity of your dehumidifier.

We're always just an email away

To access customer support, please email to AndteServices@outlook.com with your purchase order.

Thank you again!

Table of Contents

Introduction.....	1
Important Safety Tips.....	2
Machine Structure Diagram.....	3
Operation Instruction.....	4
Maintenance.....	7
Troubleshooting.....	8
Safety Precautions.....	9
Service.....	10

Introduction

Thank you for choosing the dehumidifier by ANDTE!

We hope it will bring great convenience to your work and life.

We recommend that you save the user manual properly for future reference. Before using this product, please read the user manual carefully to ensure that this product functions at its best.

The ANDTE's dehumidifier adopt an upgraded design, compact structure, easy to operate, and other characteristics, widely used in scientific research, basement, crawl space, greenery, laboratory, gymnasium, sanitation, commodity storage, underground engineering, and dehumidification in high humidity places such as kitchens, bathrooms, archives, warehouses, etc. Can be effectively avoided telecommunications equipment, materials, etc, are damaged due to dampness or rust.

Transportation and Custody

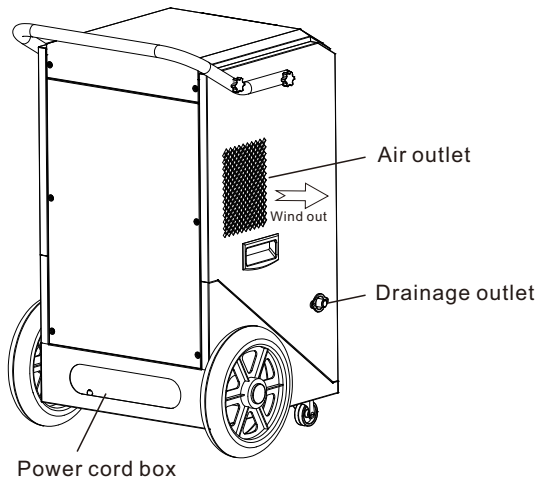
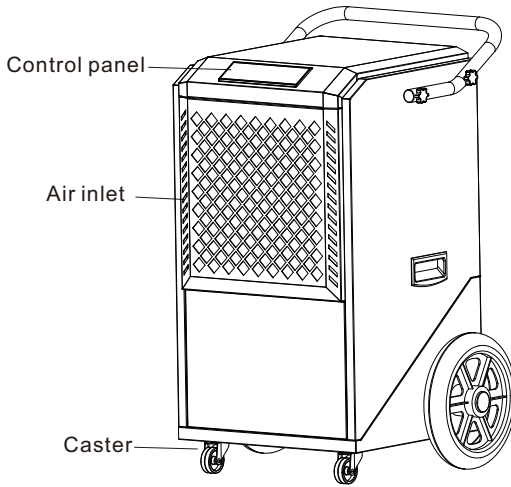
During transportation, this product should be handled preciously to prevent violent vibration. Generally, the packaged product should not be stored in the open air for a long time. It should be placed in a well-ventilated, non-corrosive gas warehouse. It should not be placed upside down. Rainproof measures should be adopted when stored temporarily.

Important Safety Tips

Before using the product, for safe and correct operation and maintenance, please read and understand the following safety tips

1. When cleaning or storing the dehumidifier, please pull out the plug first, cut off the power supply, and ensure safety.
2. Don't immerse the machine in water or close to water sources.
3. Don't place the machine near heating devices or flammable dangerous goods.
4. Don't insert fingers or stick-like objects into the air inlet or outlet.
5. Please ensure that the drainpipe is installed downwards so that the condensate can drain continuously.
6. The fuselage should be placed or installed horizontally to avoid tilting the fuselage.
7. Never spray the machine with water.
8. Don't spray pesticides or flammable liquids on the machine.
9. Don't place heavy objects on the machine or let children and animals ride.
10. The machine should not be operated in a confined and narrow space.
11. If the power cord is damaged, to avoid danger, it must be repaired or replaced by the manufacturer or its maintenance department or full-time maintenance personnel.
12. The power wiring of the machine must be carried out by the national standard wiring rules, and the power cord must be reliably connected to the external grounding wire.
13. The fixed wiring of the machine connection must be equipped with an all-pole disconnection device (air switch) with a contact distance of at least 3mm.
14. The model specification of the fuse is: 3.15A.
15. The distance between the machine and surrounding objects should be kept at least: 1 meter.
16. The dehumidifier is not allowed to be used by persons (including children) who are physical, sensory, or mentally retarded or lack experience and knowledge, don't touch the machine unless under the supervision or direction of an adult.
17. Children should be under the supervision of adults to ensure that they do not touch the machine at will.

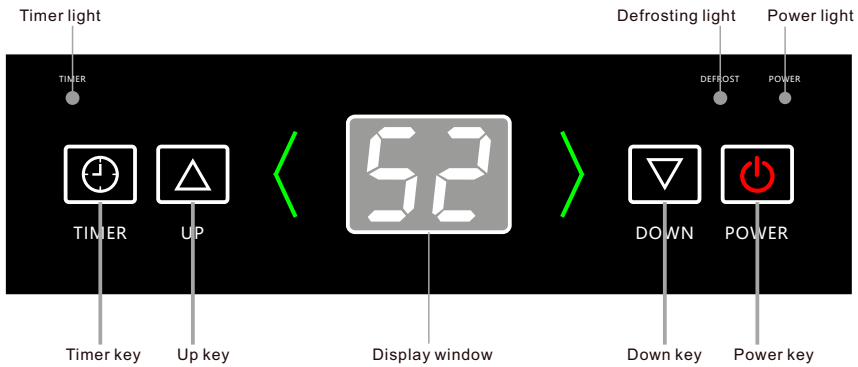
Machine Structure Diagram



NOTE: There May be slight differences in the model, the actual machine shall prevail.

Operation Instruction

Operation panel



Key description:

1. Power switch key: In the shutdown state, press once to turn on the machine, otherwise turn off the machine.
2. Up key: Increase the humidity setting value.
3. Down key: decrease the humidity setting value.
4. Timer key: used to set the timing time.

Humidity setting:

In the power-on state, press the "Up" or "Down" key once to enter the humidity setting state: the display screen flashes the humidity setting value "* *". In the humidity setting state, press the "Up" or "Down" key to set the humidity, and the setting range is 10-98% RH. After the key operation is stopped for a few seconds, the humidity setting state is automatically exited.

Timer setting:

In the power-off state, the timer is set to timed power-on. In the power-on state, the timer is set to timed power-off. Press the "Timer key" to set the timer time. The timer time will increase by 1h every time you press it. The setting range is 1 ~ 24h, which can be set circularly. Press and hold the "timer key" for several seconds to continuously adjust the timer time; if the timer time is 00, the timer is invalid.

When the timer is valid, the timer indicator is on. Press the "timer key" once, and the display screen will display the remaining timer time.

After a few seconds, the current humidity value will be automatically displayed.

Action description:

Startup: the fan is turned on, and the compressor 1 is turned on with a delay of several seconds.

Shutdown: the compressor is stopped immediately, and the fan is stopped after a delay of several seconds.

Without turning on the power supply, the compressor can be turned on again after it stops running for 3 minutes.

Defrosting function:

When operating at low ambient temperature, the system will automatically judge whether there is frost, and if there is frost, it will automatically defrost.

Defrosting action: the fan does not stop and the compressor stops.

End of defrosting: the defrosting indicator is off, and the fan and compressor operate according to the humidity control requirements.

Defrost display: when defrosting, the defrosting indicator is on.

Fault Code

S/N	Fault code	Fault name
1	E_c (Ec)	The display board communication is abnormal

(Whether the above fault codes exist depends on whether the actual model has this function.)

Notice:

1. In case of Ec fault, the machine operation is not controlled by the operation panel.

Temperature Protection Function

- 1)When the ambient temperature is higher than the high temperature setting value (default 113°F / 45°C), the system enters high temperature protection, prompts "HH", and the compressor stops running;
- 2)When the ambient temperature is lower than the low temperature setting value (default 39°F / 4°C), the system enters the low temperature protection, prompts "LL", and the dehumidifier stops running;

State Description

- 1)**Power On:** The fan starts running, and the compressor starts to run after a delay of a few seconds.
- 2)**Power Off:** The compressor stops running immediately, and the fan stops after a few seconds delay.
- 3)To prevent the machine from starting and stopping frequently, there is a 3-minute delay in the start-up interval.

Turn The Dehumidifier Off

Press the Power Switch to turn the dehumidifier off.

Note: To protect the compressor, the fan will continue to operate for 5 seconds after the dehumidifier has shut off. So please do not disconnect the power cord to force the dehumidifier to stop. Always use the power button.

Maintenance

Unplug the power cord before maintaining and cleaning the dehumidifier. Use a soft damp cloth to clean the body of the dehumidifier. Don't use detergents, scrubbing wires, chemically treated dusting cloths, gasoline, thinner, or other solvents to clean and wipe the machine.

Clean the filter:

There is a washable filter behind the dehumidifier to filter airborne dirt. It is recommended to check the filter regularly and clean it at least once a month.

- 1) Use a vacuum cleaner or something to gently remove the dirt on the filter;
- 2) If the filter is particularly dirty, rinse it with warm water and mild detergent, and dry it thoroughly; do not expose the filter to direct sunlight or use other exothermic products to dry the filter, which will deform the filter and its frame;
- 3) Put the dried filter back into the dehumidifier; If the dehumidifier fails, please follow the "Troubleshooting" in the manual before contacting ANDTE support. Do not repair or disassemble the dehumidifier by yourself.

Improper maintenance may endanger the safety of users.

Note: Don't operate the dehumidifier without a filter because dirt and lint may clog it.

Troubleshooting

Before seeking support from the service team, you can check the following troubleshooting tips:

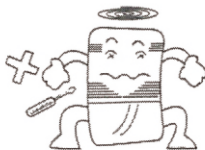
Fault	Cause	Solution
Dehumidifier not working	<ol style="list-style-type: none"> 1.The fuse is blown 2.Machine failure prompt 	<ol style="list-style-type: none"> 1.Replace the fuse; 2.Query the fault code and request the manufacturer's technical support;
Dehumidifying effect is not obvious	<ol style="list-style-type: none"> 1.Air filter fouling; 2.There are obstacles in the air inlet and outlet of the dehumidifier; 3.The space is not sealed; 4.Refrigerant leakage; 	<ol style="list-style-type: none"> 1.Clean the filter; 2.Remove obstacles; 3.Close the doors and windows, the dehumidification effect of the confined space is more obvious; 4.Contact the agent or manufacturer for maintenance;
Water leakage	<ol style="list-style-type: none"> 1.Machine tilt; 2.The outlet pipe is Blocked; 	<ol style="list-style-type: none"> 1.Adjust the machine and place it horizontally; 2.Remove the access door to remove the foreign matter blocked in the pipe;
Abnormal noise	<ol style="list-style-type: none"> 1.The machine is not placed smoothly; 2.Is the filter blocked; 	<ol style="list-style-type: none"> 1.Relocate the machine to a stable place; 2.Clean the filter;
Humidity always shows "10"(when there is a big difference from the actual humidity)	Humidity sensor failure	<ol style="list-style-type: none"> 1.When the "10" fault phenomenon is always displayed, the humidity is set to 10%RH, and the machine can still continue to run and be used normally; 2.Repair and replace the humidity sensor;
Humidity always shows "99"(when there is a big difference from the actual humidity)	<ol style="list-style-type: none"> 1.The surface of the humidity sensor os condensed or wetted with water; 2.Humidity sensor failure 	<ol style="list-style-type: none"> 1.When the "99" fault phenomenon is displayed all the time, the machine can still continue to dehumidify and operate normally; 2.After the machine has been running for a period of time, when the moisture on the surface of the humidity sensor dissipates,ig can automatically remove the fault and resume normal operation; 3.Repair and replace the humidity sensor;

1. When the above fault cannot be eliminated and it is confirmed that repair is required, please contact the ANDTE support, please do not disassemble the machine for repair without authorization.
2. When the dehumidifier is running or stopped, it is normal to hear the sound of refrigerant circulating.
3. It is normal for hot air to be discharged from the air outlet.

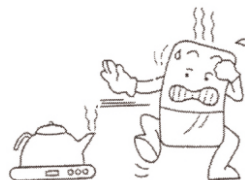
Safety Precautions



1. When using, do not place the dehumidifier on soft, uneven ground to avoid vibration or movement.



2. Do not use thin rods or hard objects to insert into the fuselage to avoid malfunction or danger.



3. When using, please keep the dehumidifier away from heat sources such as heaters and electric kettles to save electricity.



4. When using, please close the doors and windows to achieve the best dehumidification effect.



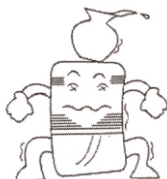
5. Do not place items before and after the dehumidifier. If the ventilation is blocked, the dehumidification effect will be affected.



6. In case of power failure or long-term non-use, please unplug the power cord.



7. When cleaning the dehumidifier, gently wipe it with a damp cloth, do not directly spray water to clean it.



8. Do not place any objects on the dehumidifier.



9. Please clean the filter every two weeks (do not use hot water above 104°F/40°C, alcohol, gasoline, or toluene).



10. During continuous drainage, the drainage pipe must be placed horizontally or downwards, and must not be uneven or entangled.



11. After the filter is cleaned, please do not place it in direct sunlight to dry it to avoid deformation.



12. Before moving or carrying the dehumidifier, please pour out the accumulated water in the water tank.

Service

ANDTE offers a limited 1-year free warranty on this DE260 dehumidifier, with original proof of purchase (typically you may be only requested to offer the order number or other information to prove a genuine purchase, instead of an invoice)

and where a defect has arisen, wholly or substantially, as a result of faulty manufacture, parts or workmanship during the warranty period.

During the warranty period, for the damaged part, we will provide a replacement part if it can be restored to normal use by replacing parts.

The warranty does not apply where damage is caused by other factors, including without limitation:

- Normal wear and tear;
- Abuse, mishandling, accident, or failure to follow operating instructions;
- Exposure to liquid or infiltration of foreign particles;
- Servicing or modifications of the product other than by ANDTE.

We will try our best to inspect the dehumidifier through photos or videos to troubleshoot and ensure that we can better solve the problem for you.

These are our general terms for warranty service, but we always urge our customers to reach out to us with any issue, regardless of warranty terms.

Warranty and Service

If you have an issue with an ANDTE product, please contact us at AndteServices@outlook.com, and we will do our best to resolve it for you.



Support Hours

24 Hours available

*Please have your order number before contacting customer support.

Product Certification

The product is approved to leave the factory after passing the inspection.

Production date: see the nameplate or barcode of the fuselage





ANDTE

