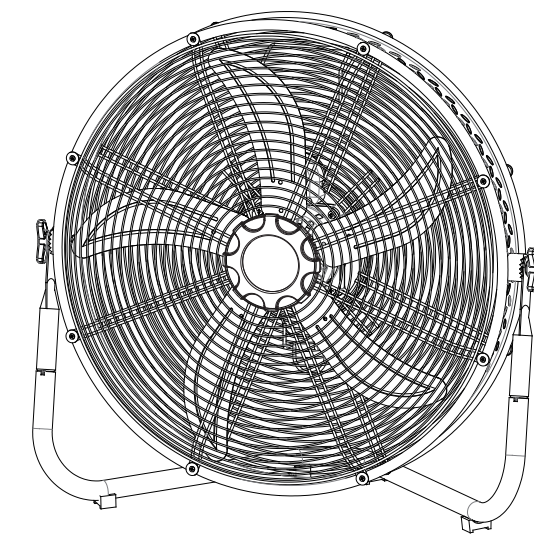


**HICFM****OWNER'S MANUAL****20" HIGH-VELOCITY DRUM FAN**

ITEM NO.: FAN-D20  
120V / 60Hz, 1.6A

**READ & SAVE THESE INSTRUCTIONS**

Questions, problems, missing parts? Before returning the product,

please e-mail our customer service by

**hicfm@outlook.com**

**SAFETY INFORMATION****WARNING**

1. Read and save these instructions. Do not operate fan unless you have read these instructions.
2. Unplug the fan before moving it or performing maintenance. Do not touch the fan when your hands are wet.
3. Those who are not qualified electricians should not disassemble, repair or rebuild the fan.
4. Unplug the fan when it is not in use.
5. DO NOT unplug the fan by pulling the cable cord. Unplug by holding the plug and pulling.
6. DO NOT use the fan when there is damage to the cable cord or plug. If the supply cord is damaged, it has to be replaced by the manufacturer, its service agent or similarly qualified persons.
7. To Reduce The Risk Of Fire, Electric Shock Or Injury To Persons, Do Not Use Replacement Parts That Have Not Been Recommended By The Manufacturer (e.g. Parts Made At Home Using A 3D Printer).
8. DO NOT use the fan close to fires.
9. DO NOT insert your hand or other objects into the grille or the movable parts.
10. To reduce the risk of fire or electric shock, do not use this fan with any solid-state speed control device.
11. DO NOT use this fan outdoors, this fan is designed for indoor use only.
12. To Reduce The Risk Of Fire Or Electric Shock Do Not Use With An Extension Cord.

**CAUTION**

1. Unplug the fan from the socket and clean it with a soft cloth.
2. DO NOT immerse the fan.
3. Fit the guard onto fan before starting up the fan.
4. This fan is not intended for use by people (including children) with reduced physical, sensory or mental capabilities or lack of experience and knowledge unless they have been given supervisor or instruction concerning use of the fan by a person responsible for their safety. Supervise children to ensure they do not play with the fan.

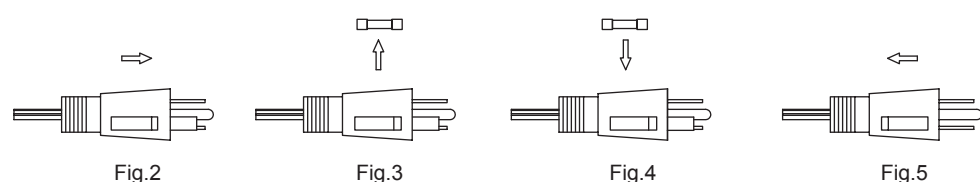
1

**SAFETY INFORMATION (CONTINUED)**

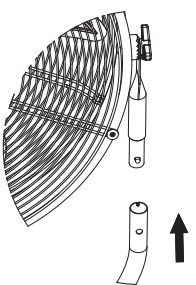
5. This product employs overload protection (fuse). A blown fuse indicates an overload or short-circuit situation. If the fuse blows, unplug the product from the outlet. Replace the fuse as per the user servicing instructions (follow product marking for proper fuse rating) and check the product. If the replacement fuse blows, a short-circuit may be present and the product should be discarded or returned to an authorized service facility for examination and/or repair.

**USER SERVICES INSTRUCTIONS**

1. Grasp plug and remove from the receptacle or other outlet device. Do not unplug by pulling on cord.
2. Open fuse cover. (See Fig.2)
3. Remove fuse carefully. (See Fig.3)
4. Risk of fire. Replace fuse only with 5Amp, 125Volt fuse. (See Fig.4)
5. Close fuse cover. (See Fig.5)

**ASSEMBLY INSTRUCTIONS**

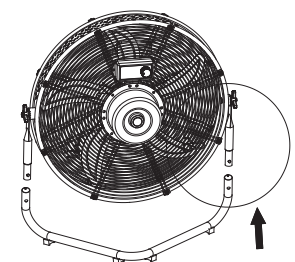
1. Press the button on the bracket on the fan assembly.



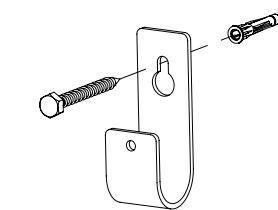
2

**ASSEMBLY INSTRUCTIONS**

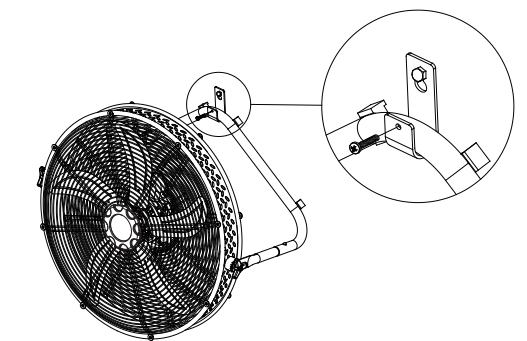
2. Insert the fan into the base until the button pop-up from the hole.

**Wall-Mount Instruction**

1. Drill a hole on the wall with desired height, insert the wall anchor and tap it flush with the wall, position the mounting bracket and then screw the bolt into the anchor, securely attach to the wall.



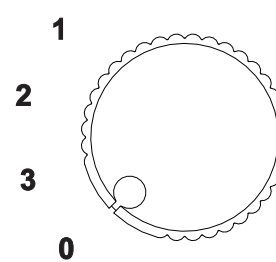
2. Hang the fan on the bracket, drill the safety screw with a screwdriver into the lower hole as shown in the below illustration.



3

**OPERATION INSTRUCTIONS**

1. Place the fan on a safe, flat surface where it can not fall or be pulled by the cord.
2. Select desired direction of air flow by tilting the fan grill upward or downward. Tighten the plastic nut tightener on both tilt nuts to secure fan head.
3. Plug unit into electrical outlet.
4. Select preferred speed (3-High, 2-Med, 1-Low) by rotating the switch on the back of the unit. Please choose low speed for lower noise, high speed for large air volume.
5. Always turn off (0-Off) and unplug fan after using.

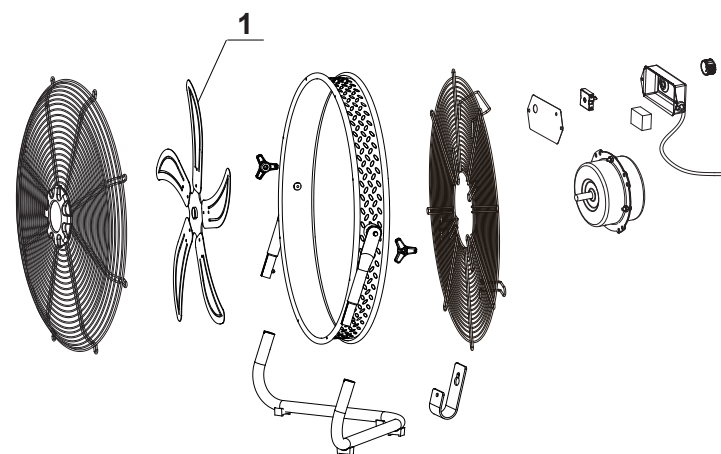


4

**1-YEAR LIMITED WARRANTY**

The manufacturer warrants this product to be free from manufacturing defects in the material and workmanship under normal use for a period of one year after the date of purchase by the original purchaser.

This warranty does not cover transit damages. This warranty does not apply to damages from accident, misuse, alteration of any kind to the fan or where the connected voltage is more than above the nameplate voltage. This warranty does not apply to the finish on any portion of the product. Servicing performed by unauthorized persons shall render the warranty invalid. The warranty is not responsible for damages of any kind, including accident and consequential damages. Some states do not allow the exclusion or limitation of the incidental or consequential damages, so the above exclusion or limitation may not apply to you. This warranty gives you specific legal rights, and you may also have other rights which vary from state to state.

**REPLACEMENT PARTS LIST**

PART	DESCRIPTION	PART #
1	Blade	FAN-D20

5