



IMPORTANT	
 CRANC ASSEMBLY VIDEO	
3	LINEAL DROPS of thread sealant GOTAS LINEALES de selladora GOUTTES LINEAIRES de colle de scellage



Sealing application area (10mm)

Figure 1

USER'S GUIDE

ENGLISH

CONTENTS:

- 1. POOLBIKING® ORBITAL INTRODUCTION**
- 2. OPERATING INSTRUCTIONS (USER´S SECURITY)**
- 3. ASSEMBLY INSTRUCTIONS**
- 4. TECHNICAL DATA SHEET**
- 5. GENERAL PRODUCT SAFETY DIRECTIVE**
- 6. WARRANTY CONDITIONS**
- 7. PREVENTIVE MAINTENANCE**

1. POOLBIKING® ORBITAL INTRODUCTION

We thank you for choosing **POOLBIKING® ORBITAL** the best option for aquatic elliptical machines. All **POOLBIKING®** products are manufactured with the highest standards and the best materials available, taking into account a maximum of quality control. **POOLBIKING® ORBITAL is an aquatic machine only to be used in a swimming pool and totally submerged in the water.** As a user of the **POOLBIKING®**, you have to be clearly aware that all movable parts have to be adjusted correctly. Keep in mind to carry out the preventive maintenance as per manual. We therefore strongly recommend attending to the written instructions of the manual in case any maintenance is being carried out. We also recommend you to write down in this instructions manual the serial number that appears on the nameplate, in anticipation of an accidental deterioration of the plate.

2. OPERATING INSTRUCTIONS (USER´S SECURITY)

The machine is designed to be used exclusively inside water with a flat surface, with no waves or water currents, and with a maximum depth of 1.50m leaving always the breast's upper part and head outside the water.

It is important that the user receives proper advice from a specialist with regard to the best using position. With the knowledge of the user's physical limits, **POOLBIKING® ORBITAL** is an excellent device for maintaining and improving the user's physical condition. Nevertheless, note that for intensive use, we recommend to get advice from a master trainer.

The pedal's base and foot strap are made in EVA (Ethylene-vinyl acetate), a common material used for tennis shoes. Persons allergic to EVA material shall not use the machines.

The user's maximum weight must not exceed 264 lb.

3. ASSEMBLY INSTRUCTIONS

The aquatic elliptical **POOLBIKING® ORBITAL** machine is being delivered in a well packed parcel containing the completely mounted chassis and the bottom supports. The handlebar is ready for mounting. The assembling is easy and self-evident.

Initial assembling:

The crank arms being mounted in their respective pedals are delivered loose. Visually you can ascertain which crank arm / pedal has to be mounted at which side and this from the direction of the pedal. For easy mounting an Allen wrench no. 5 and a thread locking adhesive are enclosed.

Prior to mounting, apply two drops of thread locking to the thread of each bolt and fit the crank arm / pedal onto the axle and tightly secure with the Allen wrench with the hand. See figure 1.

Leave the **POOLBIKING® ORBITAL** parts to dry for two hours and then is ready for normal use. It is recommendable after a couple of rides to retighten the bolts with force in order to have a proper assembly between crank and axle.

IMPORTANT:

The thread sealant is a product that blocks the threads do not become loose with use and vibrations. This products is for single use only and is not reusable. Where is detected the existence of the gap in the pedal crank, not re-tighten screw. It is necessary that screw is removed and clean with acetone or solvents. Before tighten a screw must be applied again two drops of thread sealed. In the market there are three types of tool: mild, medium and strong, it is advisable to use only using medium or strong sealant.


4. TECHNICAL DATA SHEET

MATERIALS: The complete machine is manufactured from stainless steel AISI 316L and 316Ti and electro polished for protection and passivation.

PEDALS: made of advanced composite materials in yellow colour. Platform and foot strap are in low density fungicide treated EVA.

SUPPORTS: all silentblocs are made of special grid rubber.

BEARING SYSTEM: stainless 55 mm races. Maximum protection seals.

WEIGHT: **POOLBIKING® ORBITAL** 27,03kg

WEIGHT INCLUSIVE OF PACKING: 29, 03 kg

PARCEL DIMENSIONS: 99cm x 17cm x 123,5cm

The material we used in all our components is an industrial high quality Stainless Steel AISI 316L. It is regularly used at aerospace industry, chemical and aeronautical ones too. We improve material protection adding an electrochemical procedure that gives the stainless steel a bright appearance. We don't apply a mechanical polished in order to avoid any contamination. It means that is possible you will see little rubbings or marks coming from the stainless steel. We don't use bright decorative stainless steel, better for aesthetics products but with less corrosion resistance.

5. GENERAL PRODUCT SAFETY DIRECTIVE

This product is subject to the general product safety directive 2001/95/EC. The electro-polish treatment is made according the standards

ASTM B912-02

ASTM A380-06

ASTM A967

UNE-EN 2516:1997

SAE AMS 2700C

Manufactured on the standard UNE 957-1:2005, for static training equipment. It corresponds to a class of use "S"; professional and/or commercial use.

6. WARRANTY TERMS AND CONDITIONS

POOLBIKE S.L.U guarantees its products for two years since the purchasing date. Warranty includes any piece that, due to a manufacturing fault, could avoid the normal working of the machine, as well as any scratch or crack produced in the welding process.

The **POOLBIKING** is manufactured and designed to be used exclusively inside the water. To use it out of water may cause some damages which are not included in the warranty.

In case of applying the warranty, the manufacturer has the right to make tests in order to detect if the damage has been produced by an inappropriate use.

Your **POOLBIKING** is protected against corrosion but it's very important to follow the preventive maintenance indications. The warranty does not include materials subjected to use, such as the footrest, auto lubricated supports of pedal, EVA pads for feet and fastening belts.

A regular cleaning of all these materials with fresh water to avoid spots due to chemical residues is required. In salted water pools, these pieces may have a shorter life.

This warranty does not include neither the replacement of pieces with oxide stains or similar due to external precipitation and that can be cleaned with an inox cleaner product nor stains on floors, pool walls and clothing caused by the wear or dirt on any part of the machine.

All POOLBIKING machines are completely manufactured in stainless steel AISI 316L with certificate of origin. This material habitually used for industrial processes, there isn't exists the bright polished finish and may have, in some cases, small imperfections; also protection chemical process called electro polished can leave visible sediment on the bike. To not change the quality anticorrosive of the bike, these small spots or imperfections are not removed, remove these residues could affect the quality of the product.

Any repairs under the warranty will be made in the **POOLBIKE S.L.U.** warehouse, in Igualada (Barcelona).). Unless otherwise expressed by the national Regulations of the country of sale. Freight charges will be paid by the customer. In case the customer could himself change the pieces under warranty, these will be sent according **POOLBIKE S.L.U.** with the required instructions and freight charges must be covered by the customer.

Excluded from the warranty:

- Any manipulation performed by the customer: welds, holes and sealings.
- The use of screws and parts that may rust.
- The machine that has not received the required maintenance detailed in the user's manual.
- Any external oxidizing in the product, due to its contact with any ferrous material.
- Pools with disinfection treatment by electrolysis salt can damage the stainless steel of the **POOLBIKING** due to the conductivity generated by the water in metallic materials. Although does not attack the metal parts of the pools as fixed ladders and springboards because of the incorporation of a ground wiring. Therefore we do not apply the warranty on machines that are used in such pools.
- For all cases not mentioned in the general conditions, **POOLBIKE S.L.U.** will follow the Spanish laws.

7. PREVENTIVE MAINTENANCE

DAILY MAINTENANCE:

After removing the machines from the pool loosen the adjustment knobs. The drying of the machine with tightened knobs may cause a thread that difficult the correct work for these elements. Clean the machine using a soft cleaner and rinsing by fresh water to avoid the salt or oxide stains.

WEEKLY MAINTENANCE:

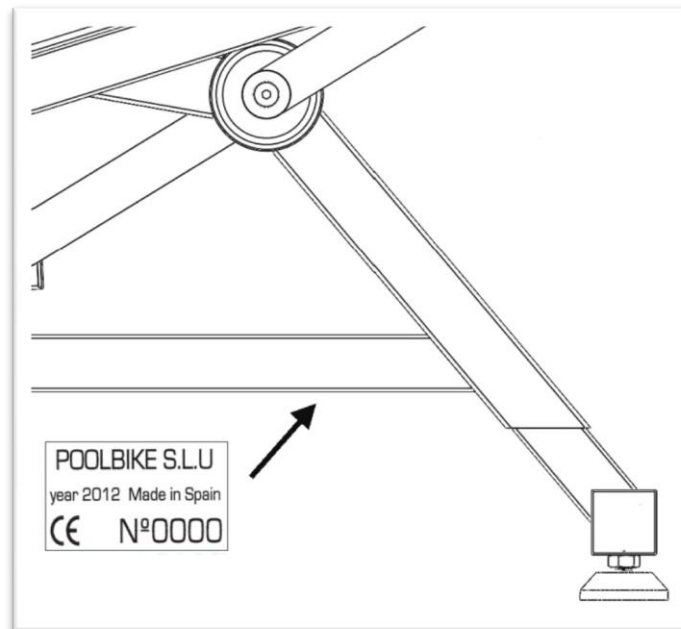
- Check and tighten the screws, especially those of the pedals and the connecting rod.
- Examine the base silent blocks.
- Verify that all black plastic protection caps are present and properly fitted.

REMARKS:

These instructions have been made up in order to keep your aquatic machine in a perfect condition.

Important: All screws must be tight and secured if not the bike can be damaged or the user can be hurt.

For the best maintenance and repair about POOLBIKING equipment, we recommend using only professional quality tools, low quality tools can damage the screws and the bike parts to such an extend to produce serious mechanical damage.





PAY ATTENTION!!

In case that screw number 15 goes loosen from its axis, please we recommend you don't tightly it again. It is better to kick off the screw and choose between clean it perfectly in order to use the same screw again, or replace it.

If you try clean the screw perfectly, including the axis, when you finish to clean it you can use contact glue and push only one time. This type of glue, works with only one impact, so this is not advisable tightly again and again.

If you choose replace it, use contact glue and then you can tightly one time.

Please don't hesitate to contact Poolbiking Technical Customer Service if you have any doubt or if you need some more information.

If the screw works well and it is not loosen, please we recommend don't touch it. It is better than you verify that the crank is perfectly held making it spin around the washer with your hand.

TRÈS IMPORTANT!!

Si la vis n° 15 se desserre de l'axe pédalier, ne pas serrer à nouveau. Vous devez retirer la vis, la remplacer ou nettoyer complètement et parfaitement, tant le filetage de la vis comme le filetage de l'axe pédalier. Mettre scellant à nouveau et serrer une seule fois bien, le scellant est à un seul usage et une fois serré ne devrait pas être resserrée. En cas de doute contacter le service officiel de la marque.

Si la vis ne se desserre pas, ne pas toucher. On peut vérifier que la manivelle est sécurisée en roulant la rondelle à la main.

MUY IMPORTANTE!!

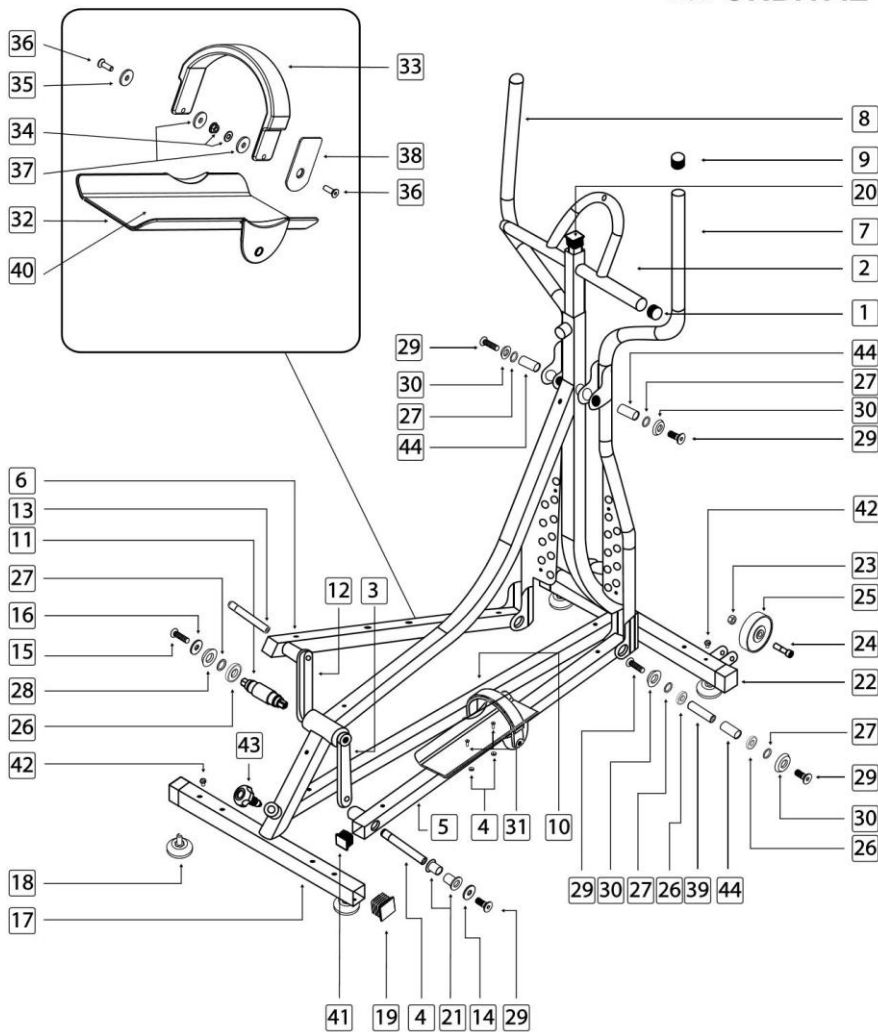
En caso que el tornillo 15 se afloje del eje pedalier no volver a apretar el tornillo, este deberá sacarse, sustituirlo o limpiarlo totalmente y perfectamente, tanto el lado del tornillo como el lado del eje, volver a poner sellador y apretar una sola vez, el sellador de roscas es de un solo impacto y una vez apretado no debe reapretarse, en caso de duda contacte con el servicio técnico oficial de de la marca.

Si el tornillo no se afloja no tocarlo, se verifica que la biela está bien sujeta haciendo rodar la arandela con la mano.

Tel: +34 93 805 34 12 - sav@poolbiking.com



Ref: **ORBITAL**




 Ref: *ORBITAL*
Español

1 Tapón manillar	16 Arandela tornillo biela-eje	31 Tornillo sujeción pedal
2 Manillar	17 Pata trasera	32 Pedal fibra
3 Biela derecha	18 Silenbloc apoyo	33 Banda apoyo del pie
4 Tuerca tornillo pedal	19 Tapón plástico 40x40	34 Tornillo autoblocante cinta pedal
5 Base pie derecho	20 Tapón manillar 35x35	35 Arandela cinta del pedal exterior
6 Base pie izquierdo	21 Cojinetes autolubricados 15mm	36 Tornillo para cinta del pedal
7 Brazo derecho	22 Pata delantera	37 Arandela cuadrada cinta interior
8 Brazo izquierdo	23 Tornillo autoblocante rueda	38 Arandela cinta pequeña
9 Tapón brazo	24 Tornillo eje rueda	39 Eje rosca con tope
10 Estructura principal	25 Rueda transporte	40 Base IVA pedal
11 Eje pedalier	26 Rodamiento inoxidable	41 Tapón plástico 35x35
12 Biela izquierda	27 Anillo separador	42 Tornillo tope tapón
13 Eje pedal izquierdo	28 Retén de estanquidad	43 Cierre completo
14 Arandela eje pedal	29 Tornillo eje pedal	44 Casquillo separador
15 Tornillo biela-eje	30 Arandela sujeción	

English

1 Handlebars top	16 Washer bolt crank-axis	31 Pedal fixing bolt
2 Handlebars	17 Rear leg	32 Fibra pedal
3 Right crank	18 Silenbloc support	33 Foot Belt
4 Wheel pedal bolt	19 Plastic top 40x40	34 Nylon bolt
5 Right foot basis	20 Handlebars top 35x35	35 Pedal ribbon washer
6 Left foot basis	21 Auto-lubricating bearings	36 Pedal ribbon bolt
7 Right arm	22 Front leg	37 Square washer
8 Left arm	23 Wheel nylon bolt	38 Small ribbon washer
9 Arm top	24 Wheel axle bolt	39 Thread axis whit stop
10 Main structure	25 Transport wheel	40 Insole EVA pad
11 Pedalier axle	26 Inox bearing	41 Plastic top 35x35
12 Left crank	27 Spacer ring	42 Top bearing bolt
13 Left pedal axle	28 Waterproof gasket	43 Complete close
14 Wide pedal-crank	29 Bolt pedal-crank	44 Spacer bushing
15 Bolt crank-axis	30 Fixing washer	

Français

1 Bouchon guidon	16 Rondelle vis manivelle-axe	31 Vis serrage pédale
2 Guidon	17 Pied postérieur	32 Pédale
3 Manivelle droite	18 Silenbloc appui	33 Courroie pédale
4 Vis écrou pédale	19 Bouchon plastique 40x40	34 Vis autobloquante courroie
5 Support pied droit	20 Bouchon guidon 35x35	35 Rondelle extérieure courroie
6 Support pied gauche	21 Coussinets auto lubrifiés 15mm	36 Vis courroie pédale
7 Bras droit	22 Pied antérieur	37 Conte-écrou intérieur courroie
8 Bras gauche	23 Vis autobloquante roue	38 Conte-écrou courroie pédale
9 Bouchon bras	24 Vis axe roue	39 Axe fileté avec butée
10 Structure principale	25 Roue de transport	40 Support EVA pédale
11 Axe pédalier	26 Roulement inoxydable	41 Bouchon plastique 35x35
12 Manivelle gauche	27 Bague d'espacement	42 Vis butée bouchon
13 Axe pédalier gauche	28 Joint d'étanchéité	43 Cierres complet
14 Rondelle axe pédale	29 Vis axe pédale	44 Douille séparateur
15 Vis manivelle-axe	30 Rondelle serrage	



POOLBIKE, S.L.U.
C. Grecia,1
08700 Igualada (Barcelona)
Spain
Tel. +34 938 053 412
info@poolbiking.com
www.poolbiking.com