

# UHOME™

Portable air conditioner

Model:

UPF1-12H



Thank you very much for selecting this new model of Portable Air Conditioner, please read this Operation Manual carefully before installing and using this appliance. Please keep this Operation Manual properly for future reference.





## TABLE OF CONTENTS

Safety Information & Warnings.....	3
Setting up your portable conditioner .....	6
Product features .....	7
Installing your air conditioner.....	8
Using your air conditioner.....	12
Cleaning & Maintenance .....	15
Trouble shooting .....	17
Limited Manufacturer's Warranty .....	18

## SPECIFICATIONS

<b>Model No.</b>	UPF1-12H
<b>Voltage</b>	115V~
<b>Frequency</b>	60Hz
<b>Cooling capacity(ASHRAE)</b>	12000BTU/h
<b>Heating Capacity</b>	12000BTU/h
<b>Body Size</b>	17.4in(W)x13.4in(D)x32.7in(H)
<b>Package Size</b>	18.9in(W)x17.13in(D)x34.65in(H)
<b>Net Weight</b>	26kg(57.32lbs)
<b>Gross Weight</b>	31kg(68.34lbs)
<b>Cooling/Heating Area</b>	400 sq.ft
<b>Refrigerant/Charge</b>	R-32/11.29oz

### IMPORTANT

The air conditioner unit must always be stored and transported upright, otherwise you may cause irreparable damage to the compressor. In case of doubt, we suggest that you wait for at least 24 hours before you start the air-conditioning unit.

## SAFETY INFORMATION & WARNINGS

**Please read the Manual carefully before operating the machine:**

1. Read and keep these instructions.
2. Heed all warnings.
3. Follow all instructions.
4. Do not use this machine near water.
5. Clean it only with a damp cloth.
6. Do not block any ventilation openings. Install in accordance with the manufacturer's instructions.
7. Do not install near any heat sources such as radiators, heat registers, stoves, or other apparatus(including amplifiers)that produce heat.
8. Do not defeat the safety purpose of the polarized or grounding-type plug. A polarized plug has two blades with one wider than the other. A grounding-type plug has two blades and a third grounding prong. The wide blade or the third prong are provided for your safety. If the provided plug does not fit into your outlet, consult an electrician for replacement of the obsolete outlet.
9. Protect the power cord from being walked on or pinched particularly at plugs, convenience receptacles, and the point where they exit from the machine.
10. Do not attempt to modify or extend the power cord of this machine.
11. Unplug this machine during lightning storms or when it will not be used for long periods of time.
12. Make sure that the available AC power matches the voltage requirements of this machine.
13. Do not handle the plug with wet hands. This could result in an electric shock.
14. Unplug the power cord by holding the plug, never by pulling the cord.
15. Do not turn the machine on or off by plugging or unplugging the power cord.

16. Turn off the machine before unplugging it.
17. Refer all servicing to qualified service personnel. Servicing is required when the machine has been damaged in any way, such as power-supply cord or plug is damaged, liquid has been spilled or objects have fallen into the machine, the machine has been exposed to rain or moisture, does not operate normally, or has been dropped.
18. To reduce the risk of fire or electric shock, do not expose this machine to rain, moisture, dripping, or splashing, and no objects filled with liquids should be placed on top of it.
19. Batteries of the control remote should not be exposed to excessive heat such as sunshine, fire, or the like.

CAUTION: Danger of explosion if batteries are incorrectly replaced. Replace only with the same or equivalent type.

## **WARNING:**

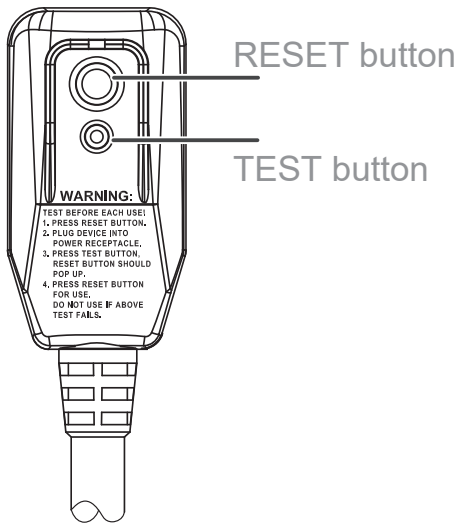
### **ELECTRIC SHOCK HAZARD**

Failure to follow these instructions can result in electric shock, fire, or death.

- **This unit must be properly grounded.**
- **Do not, under any circumstances, cut or remove the grounding plug.**
- **If you do not have a properly grounded AC outlet, or if there is any doubt that the outlet is not properly grounded, a qualified electrician should check the outlet and circuit and, if necessary, install a properly grounded outlet.**
- **This air conditioner must be plugged into a grounded 115V, 60Hz AC outlet protected by a 15 amp time-delay fuse or circuit breaker.**
- **This air conditioner must be installed in accordance with national wiring codes.**
- **Do not alter or modify the plug or cord of this air conditioner. If the power cord becomes worn or damaged, the cord should only be replaced by a qualified service technician using genuine replacement parts.**
- **Do not use an extension cord.**

## ELECTRICAL SAFETY

### Integrated circuit breaker

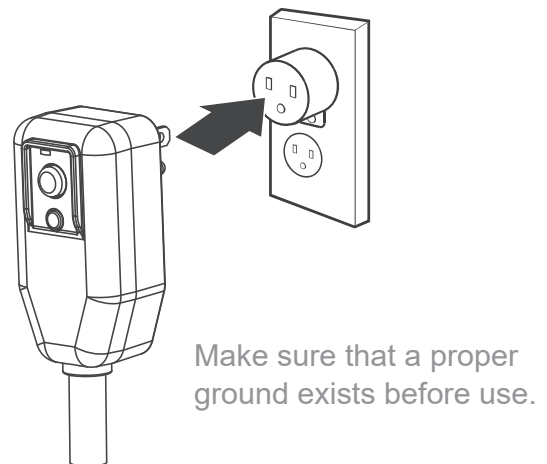
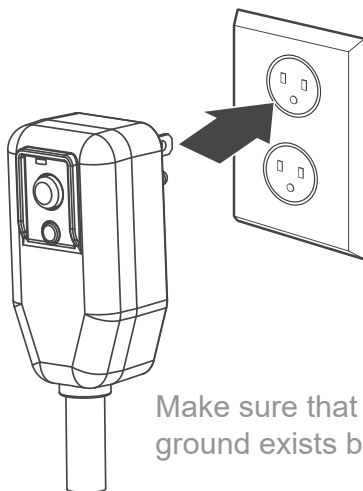


For additional safety, the power cord on this air conditioner features an integrated circuit breaker. You can test and reset the circuit breaker using the buttons provided on the plug case. Consult a qualified electrician or service person if the grounding instructions are not completely understood, or if doubt exists as to whether the air conditioner is properly grounded. The circuit breaker should be tested periodically by pressing the TEST button, then pressing the RESET button. If the TEST button does not cause the circuit breaker to trip, or if the RESET button does not stay engaged, unplug the air conditioner immediately .

### Temporary grounding

**Due to potential safety hazards, we strongly discourage the use of an adapter plug.**

If an adapter plug must be used for a temporary connection, use only a UL-listed adapter with a maximum capacity of 120V~60Hz, 12A, and 1380W. Make sure that the large slot of the adapter is aligned with the large slot in the outlet.

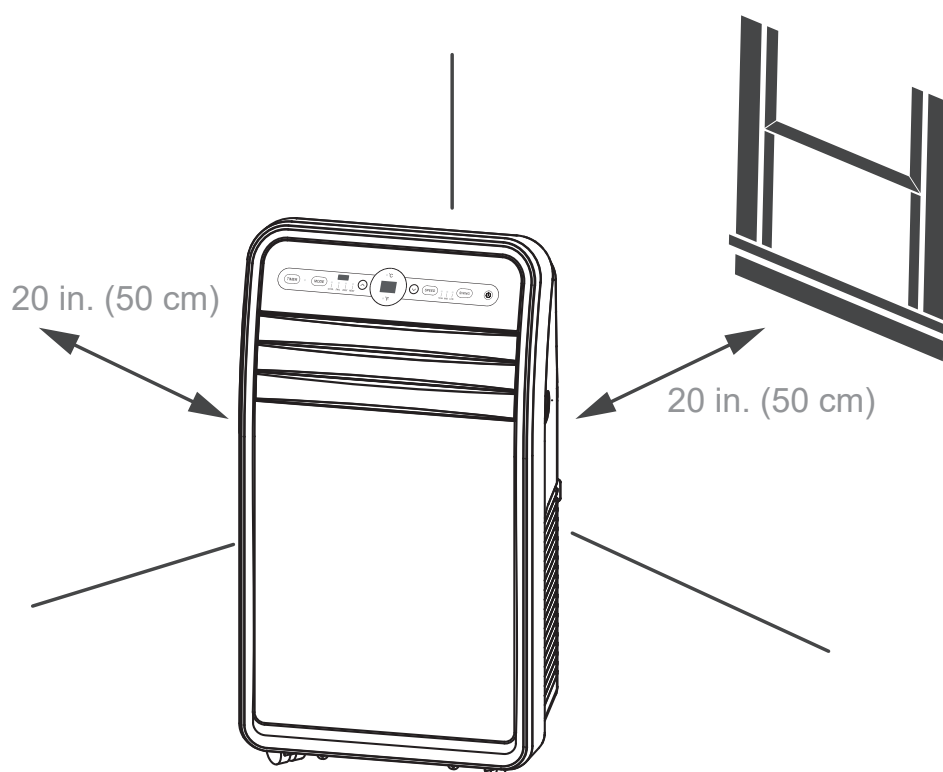


## SETTING UP YOUR PORTABLE AIR CONDITIONER

### Before using your portable air conditioner

- Remove and store (optional) packing materials for reuse.
- Remove any shipping tape before using the air conditioner.
- Remove tape residue with liquid dish soap and a damp cloth.

Do not use sharp tools, alcohol, thinners, or abrasive cleaners to remove adhesive, which could damage the finish.

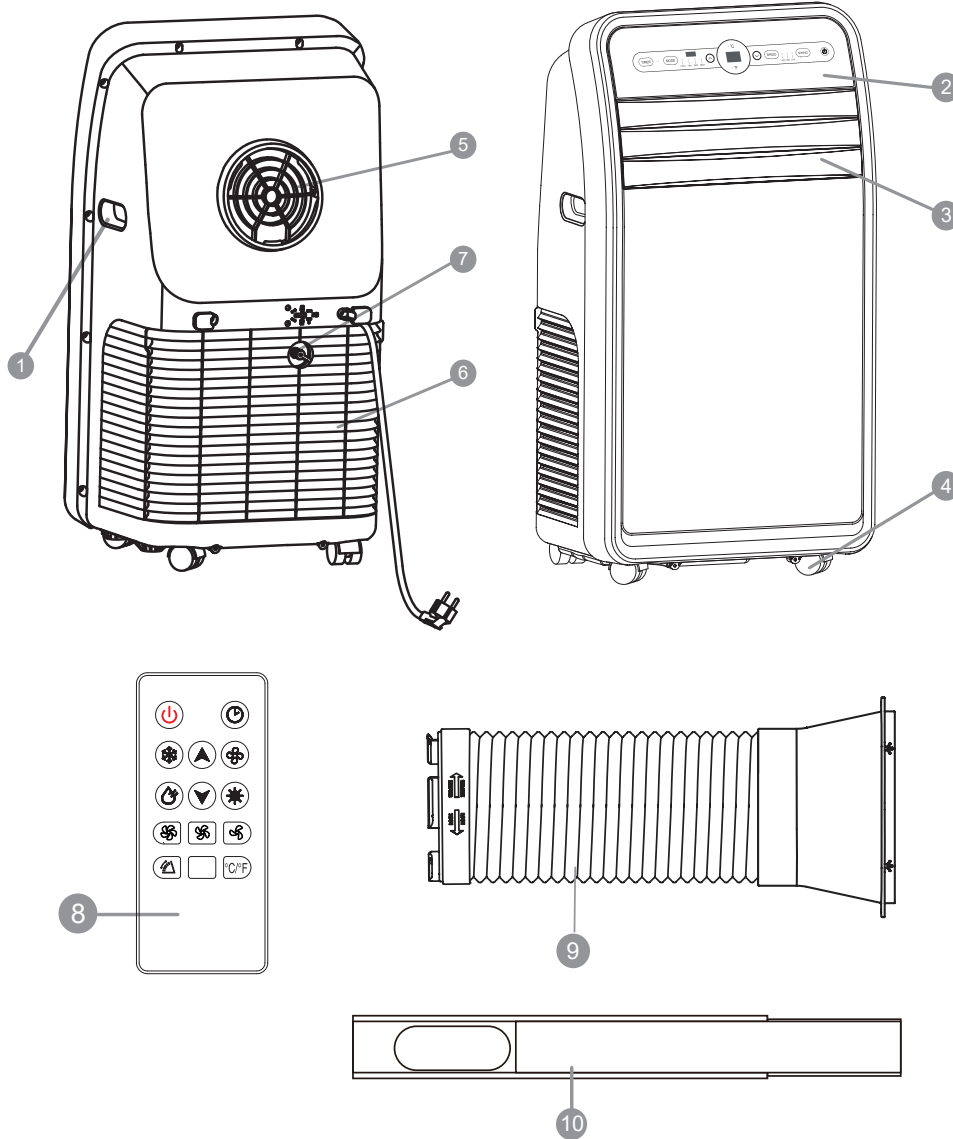


### Placing your air conditioner

Place the unit on a flat, dry area near a window, so you can use the hose and diffuser to connect the air conditioner to the window installation kit in order to vent the exhaust air outside. To maintain good air circulation and optimum machine performance, leave a 20 in. (50 cm) space around it.

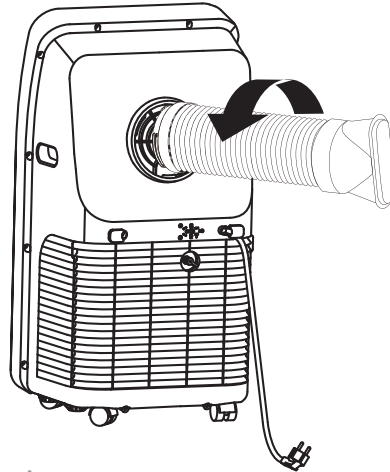
## PRODUCT FEATURES

1. Carrying Handle
2. Control Panel
3. Adjustable Front Grille
4. Casters
5. Exhaust Output
6. Air Intake
7. Moisture Drain Plug
8. Remote Control
9. Exhaust Duct
10. Window Sealing Plate

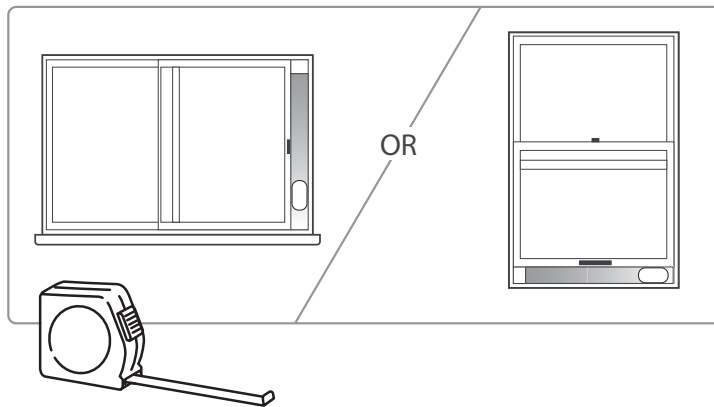


## INSTALLING YOUR AIR CONDITIRNE

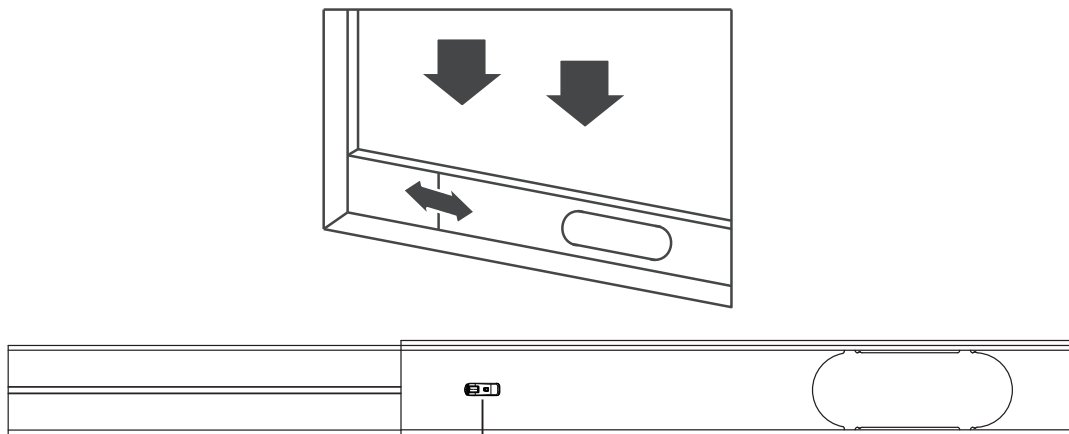
1.Screw the exhaust hose to the exhaust outlet on the back of your air conditioner, then screw the hose adapter to the other end of the hose.



2.Measure the window size.

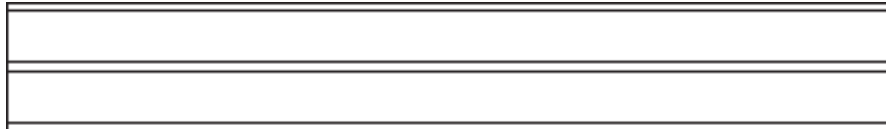


3.Install the window sealing plate in the window opening, adjusting the length to fit the window opening and securing it with "Clip"(provided).  
**Note:** The window sealing kit works with sliding windows.



Clip

Usually Portable air conditioner needs to be equipped with sliding windows. We put two sealing plates in the packaging box of the machine, and the size range after connection is **94cm-127.5cm(37in-50.20in)**. We also have two spare parts, one short(40cm=15.75in) and one long(67.5cm=26.57in)with"Clip".



15.75in



26.57in

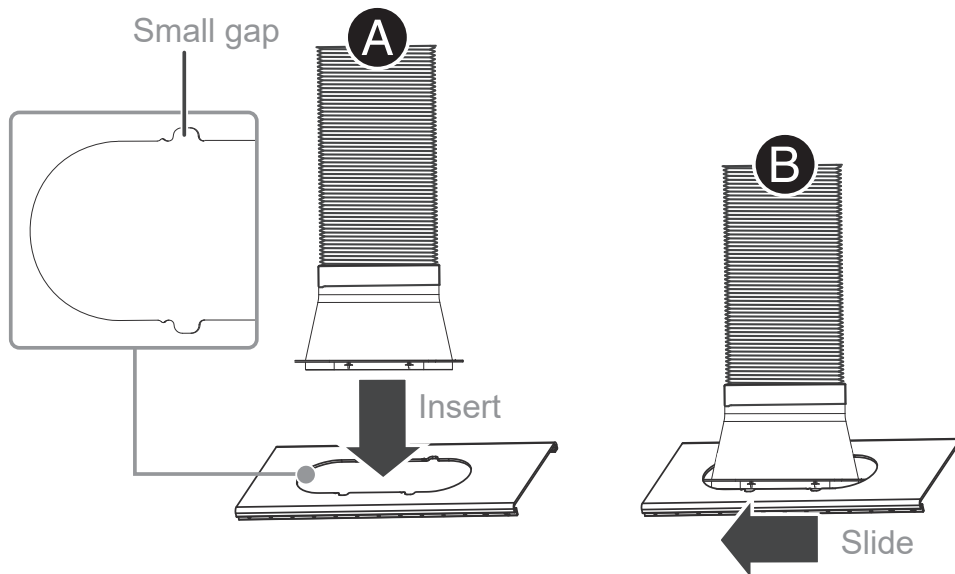
If your window size is small, just between **67.5cm-98cm(26.57in-38.58in)**, you can buy a piece of short board(40cm=15.75in)and then assemble it with the one piece board with clip;

If your window size is large and there is still a gap on the side of the window where the two sealing panels are installed, you can buy another long panel (67.5cm=26.57in), the size range after connection is **135cm-187cm (53.15in-73.62in)**.

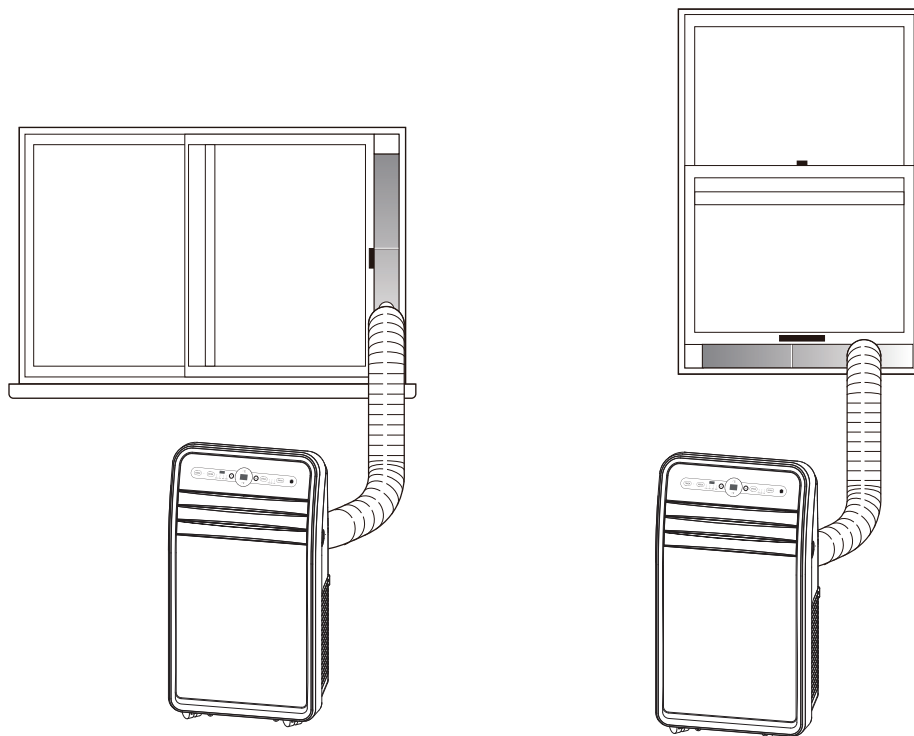
If your room has a casement window, you can also buy oursealing cloth to use.

And in the packaging bag, we also prepared 4 piece of sealing plate sponges. Just adjust the sealing plate to the size of the window, then tear off the spacer paper of the sponge, and stick the sponges along the circumference of the sealing plate. It can well prevent hot air from entering room from outside, and keeping the indoor temperature cool.

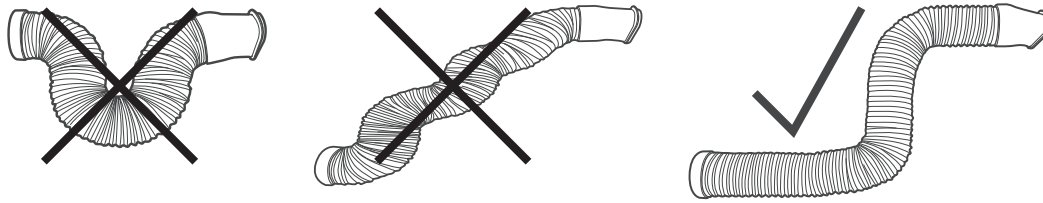
4. Insert the hose adapter into the vent panel(A), then slide the adapter until it clicks into place(B).



(Optional):Secure the venting hose to the vent adapter using the included screw.



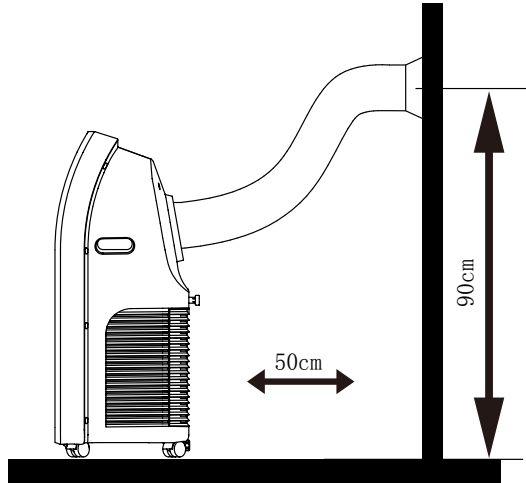
**Note:**For optimum performance, make sure the venting hose is not twisted and is free of kinks. For better efficiency, shorten the hose by squeezing its sections together.



Caution: The exhaust duct is designed especially for this air conditioner. Replacing or lengthening the duct could result in damage to your unit.

Note:

When the unit is installed in a flat and dry place, 50cm (19.7 in) space must be left around the unit to make the air flow smoothly. As shown in follow figure. The best installation distance is 50 cm (19.7 in) from the back of the unit body to the wall and 90 cm (35.4 in) from the air outlet to the bottom of the unit.



Note:

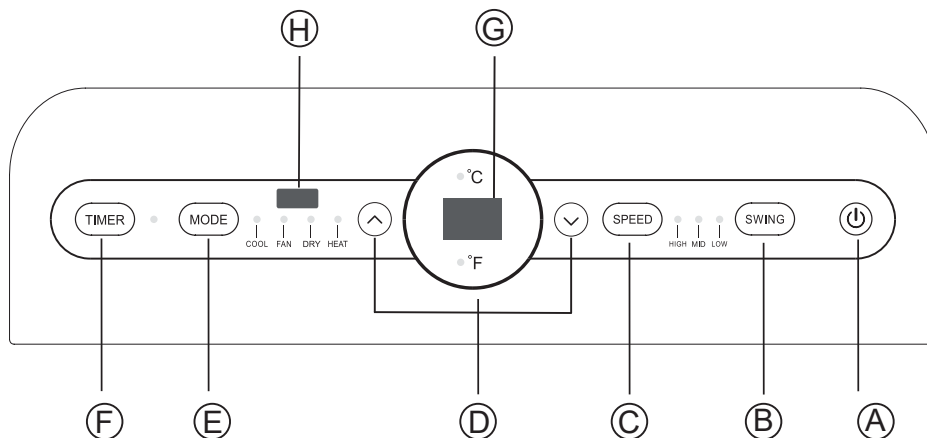
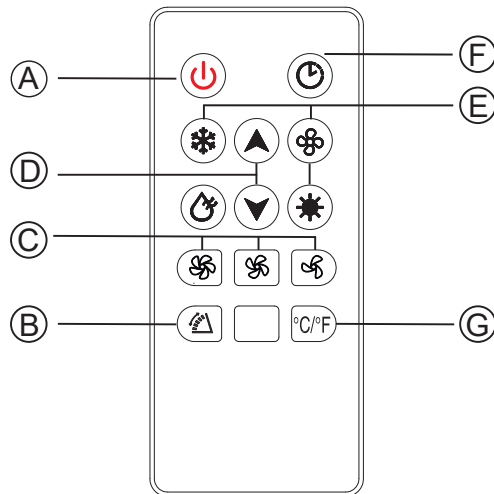
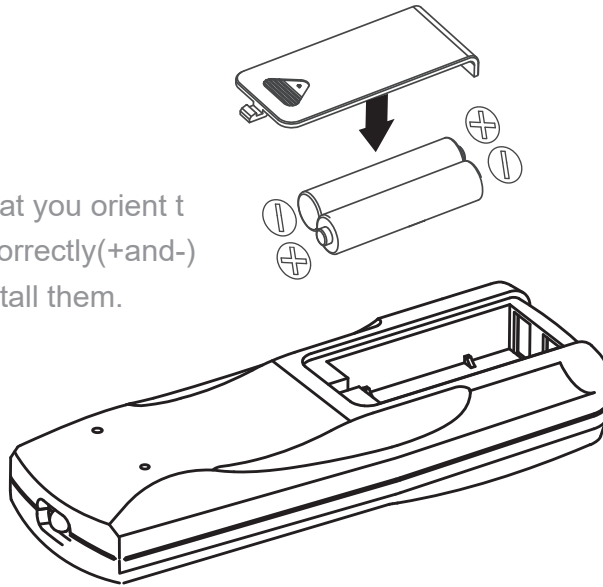
The ensure proper function, Do not overextend or bend the hose. Make sure that there is no obstacle around the air outlet of the exhaust hose (in the range of 500mm) in order to the exhaust system works properly. All the illustrations in this manual are for explanation purpose only. Your air conditioner may be slightly different. The actual shape shall prevail.

## USING YOUR AIR CONDITIONER

### Inserting the batteries in the remote control

- Insert two AAA batteries (provided) into the remote control.

Make sure that you orient the batteries correctly (+ and -) when you install them.



### Ⓐ **POWER BUTTON**

Turns ON/OFF power to the air conditioner.

**NOTE:** Turning off power by pressing the Power button does NOT disconnect the appliance from the power supply.

### Ⓑ **SWING BUTTON**

Press this key at any time after turning on the A/C to swing the wind guide bar automatically.

### Ⓒ **FAN SPEED BUTTON**

The fan speed can be adjusted from Low speed to High speed when the air conditioner is in operation.

**NOTE:** The fan speed cannot be adjusted when the unit is in Dry mode.

- Press the Fan Speed button to toggle among the three speeds.  
The corresponding fan speed indicator will illuminate.

### Ⓓ **UP AND DOWN ARROW BUTTONS**

Adjusts the Temperature or Hours in Time Delay.

#### **To Set the Temperature:**

The temperature can be set between 16°C and 30°C when the air conditioner is in Cool mode.

1. Press the Mode button until the Cool mode is selected.
2. Press the Up Arrow or Down Arrow buttons to select the Temperature.

**NOTE:** The temperature cannot be set when the air conditioner is in either Fan or Dry mode.

**NOTE:** The Up Arrow and Down Arrow buttons, when pressed at the same time, allow you to select between displaying the temperature in °C or °F. The corresponding indicator will illuminate.

### Ⓔ **MODE BUTTON**

Press the Mode button to toggle among the operating options. The corresponding indicator will illuminate:

Heat- Heats the room to the set temperature.

Cool- Cools the room to the set temperature.

Fan- Circulates the air in the room without cooling.

Dry- Fan operation plus dehumidification. In dry mode, water will collect inside the unit, and must be drained by removing the plug from the bottom of the back of the unit. If the tank is full, " FL " will appear on the display to indicate that it needs to be drained. In dry mode, the unit will stay on low fan speed, and maintain a temperature of 62 degrees.

## Ⓕ **TIMER BUTTTON**

Program a time from (1-hour to 24-hours) for the air conditioner to turn OFF.

### **While the air conditioner is operating :**

1. Press the Timer button.
2. Press the Up/Down arrow buttons to select the number of hours you want the air conditioner to continue to operate before turning off.

**NOTE:** Wait approximately 5 seconds for the Turn - Off time to be saved.

### **While the air conditioner is off :**

1. Press the Timer button .
2. Press the Up/Down arrow buttons to select the number of hours you want the air conditioner to remain off before turning on.

**NOTE:** Wait approximately 5 seconds for the Turn - On time to be saved.

### **To cancel the timer :**

- Press the Timer button once , the hours remaining will flash, press the timer button again and the timer will be cancelled .

## Ⓖ **CONTROL PANEL DISPLAY**

Displays the Set Temperature in degrees Fahrenheit or degrees Celsius, or the hours remaining in a Time Delay. The corresponding indicator light will illuminate.

## Ⓗ **REMOTE CONTROL SIGNAL RECEIVING WINDOW**

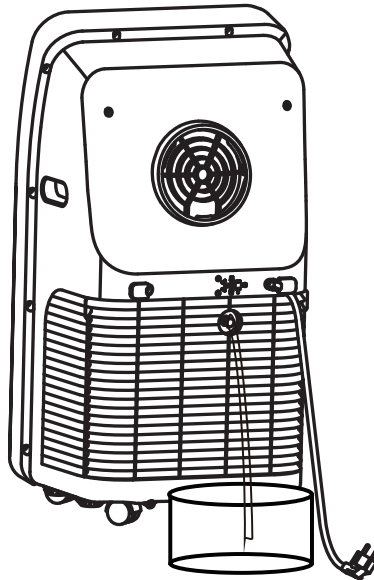
Aim the Remote Control at this window so the Control will receive the signal.

## CLEANING & MAINTENANCE

### DRAINING THE WATER TANK

This unit is equipped with an automatic water vaporization system. The condenser is cooled through the circulation of condensing water to improve cooling efficiency and energy conservation.

If the tank is full , " FL" will appear on the display to indicate that it needs to be drained. Turn off the unit, remove the drain plug on the middle of the back of the unit, and drain the tank until empty. Replace the plug and turn the unit back on to resume use.



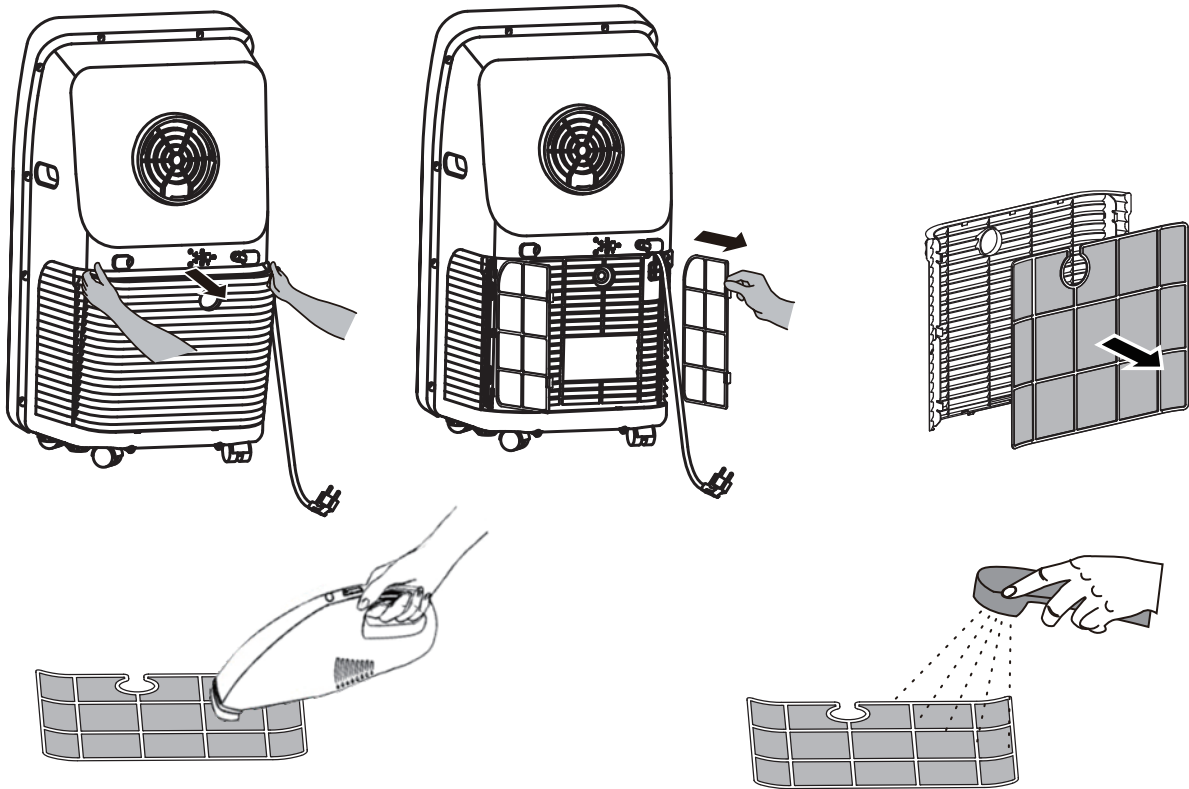
Notice: To avoid electric shock, please turn off and unplug the unit before maintenance or repair.

### CLEANING

- Unplug before cleaning.
- Clean the outside of the unit with a soft, damp cloth. Do not use chemical agents such as benzene, alcohol, gasoline, etc. which can damage the unit and void your warranty.
- Prevent any water or other liquids from getting inside the unit.

## DUST FILTER

- Once every two weeks, remove the dust filter from the back of the unit and wash it. Neglecting to clean the dust filter may cause the unit to run poorly over time



## SEASONAL CLEANING

If you are planning on putting the unit away long-term:

- Pull the drain plug to drain any water left in the tank.
- Run fan mode for 2 hours to help dry any collected moisture within the unit.
- Turn off the unit and unplug it.
- Wash and replace the dust filter.
- Take apart the exhaust duct.
- Cover the unit and the exhaust duct pieces with something to keep dust out.

## TROUBLE SHOOTING

In case of any of the following problems, please contact our customer service.

ISSUE	CAUSE	SOLUTION
The A/C doesn't work	Unit is not plugged in	Plug in unit in
	The display panel displays "FL".	Restart the A/C after powering off and draining, then it will return to normal
	The timer was set, and the unit shut off	Restart the unit 3 minutes after automatically shuts off
The A/C starts up too frequently	The unit is in direct sunlight	Move the unit out of direct sunlight
	Too many doors/windows are open; a heat source is affecting the unit	Close doors and windows, remove any heat sources too close to the A/C
	Dust filter is dirty	Clean the dust filter
	Air intake or exhaust output are clogged	Remove the exhaust tube and check for any blockage
The unit is making too much noise	The unit isn't placed on a level surface	Place it on even and firm ground, avoid shaking

**Notice:** For any issues not listed here that arise while using the A/C, turn the unit off and unplug it, wait a few minutes, and try again. If problems persist, contact customer service.

## ERROR CODE

CODE	DESCRIPTION
<b>FL</b>	The internal watertank is full and needs to be emptied.
<b>E1</b>	Coil temperature sensor error. Turn off your air conditioner and call a professional maintenance technician or service center.
<b>E2</b>	Indoor temperature sensor error. Turn off your air conditioner and call a professional maintenance technician or service center.
<b>E4</b>	Anti-freezing protection. The air conditioner coil temperature is too low and the unit has turned off automatically. The unit resets itself when the temperature reaches °F(8°C).

## LIMITED MANUFACTURER'S WARRANTY

### **Warranty:**

Your product is protected by this warranty. Warranty service must be obtained from Uhome Consumer Services.

**Warranty Period:** One year warranty (One year from original purchasedate)

### **NORMAL RESPONSIBILITIES OF THE CONSUMER**

This warranty applies only to products in ordinary household use, and the consumer is responsible for the items listed below:

1. Proper use of the appliance in accordance with the instructions provided with the product
2. Proper installation in accordance with all local plumbing, electrical and/or gas codes.
3. Proper connection to a grounded power supply of sufficient voltage, replacement of blown fuses, repair of loose connections or defects in housing wiring.

### **Warranty Exclusions:**

The warranty will not apply if the damage is caused by any of the following:

- Power failure.
- Damage when moving the appliance.
- Improper power supply such as low voltage, defective household wiring or inadequate fuses.
- Accident, alteration, misuse, or abuse of the appliance such as using non-approved accessories, inadequate air circulation in the room or abnormal operating conditions (extreme temperatures).
- Use in commercial or industrial applications.
- Fire, water damage, theft, war, riot, hostility or acts of God such as hurricanes, floods, etc.
- Use of force or damage caused by external influences.
- Partially or completely dismantled appliances.
- Excess wear and tear by the user.

### **IF YOU NEED SERVICE:**

Keep your bill of sale, or some other appropriate payment record. The date on the bill established the warranty period should service be required. If service is performed, it is in your best interest to obtain and keep all receipts. This written warranty gives you specific legal rights. You may also have other rights that vary from state to state.

### **Service under this warranty must be obtained by following these steps in order:**

1. Please contact us by email. Sales support: [uhomeservice@yoau.cn](mailto:uhomeservice@yoau.cn)
2. Provide the order number.
3. Uhome reserves rights to upgrade products without user notice.

