

cusimax

INSTRUCTION MANUAL

Infrared Cooker

MODEL: CMIP-C120, CMIP-C180



Thank you for purchasing the Infrared Cooker. Please read the User Manual carefully before use and keep it in a convenient place for future reference.

CONTENTS

Important Safeguards	2-4
Getting to know your Infrared Cooker.....	5
Product Specifications	5
Operating Instructions	6
Before Using the appliance the First Time	6
Operating your Infrared Cooker.....	6
Care & Cleaning Instructions.....	7
Trouble Shooting.....	7

IMPORTANT SAFEGUARDS

Congratulations on your purchase of a new Cusimax Infrared Cooker. Prior to putting this appliance into operation, please read these instructions for use carefully and be sure to store well these instructions along with the warranty card, if possible, also the appliance packaging and its inner contents.

When using electrical appliances, basic safety precautions should always be followed, including the following:

1. Read the instructions carefully before using the appliance.
2. Remove and safety discard any packaging material and promotional labels before using the appliance for the first time.
3. Check whether the data on the type label correspond with the voltage in your socket. The power cord plug has to be connected to the properly connected and grounded socket according to the standard.
4. To eliminate a choking hazard for young children, remove and safety discard the protective cover fitted to the power plug of this appliance.
5. The appliance operates at very high temperatures. Extreme caution should be exercised during operation. Do not touch hot surfaces.
6. The temperature of accessible surfaces will be high when the appliance is operating and for some time of use.
7. The appliance is not intended to be operated by means of an external time or separate remote control system.
8. Do not use under curtains or near flammable items. Keep clear of walls for good circulation and to prevent heat damage.
9. Always use the appliance on a dry, level, heat resistant surface.
10. Do not let the power cord hang over the edge of a table or counter, or touch hot surfaces or become knotted.
11. Do not place this appliance on or near a hot gas or electric stove, or where it could touch a heated appliance.
12. Do not place metallic objects such as knives, spoons and lids on the appliance surface as they can become very hot.
13. Always turn off at the power outlet and then remove plug before attempting to move the appliance or when not in or when storing or cleaning.
14. Fully unwind the power cord before use.
15. To protect against electric shock, do not immerse the power cord, power plug or appliance in water or any other liquid (not even its parts).
16. The appliance is not intended for use by persons (including children) with reduced physical, sensory or mental capabilities, or lack of experience and knowledge, unless they have been given supervision or instruction concerning use of the appliance by a person responsible for their safety.
17. Children should be supervised to ensure that they have not play with the appliance.

18. It is recommended to regularly inspect the appliance. To avoid a hazard do not use the appliance if power cord, power plug or appliance becomes damaged in any way. Return the appliance to the nearest authorized service facility for examination, repair or adjustment.
19. This appliance is for household use only. Do not use this appliance for anything other than its intended use. Do not use in moving vehicles or boats. Do not use outdoors. Misuse may cause injury.
20. For the first operation, there will be some smoke or smell. It is normal.
21. Keep the appliance clean. Follow the cleaning instructions provided in this book.



WARNING! Always keep in mind that the appliance will continue to radiate residual heat after being switched off.

WARNING! Do not use the appliance within reach of young children.

WARNING! Unattended cooking on the cooktop using fat or oil may be dangerous and result into fire.

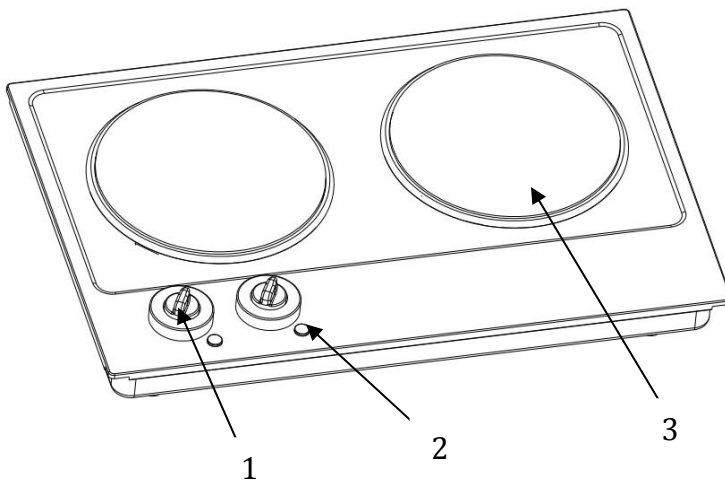
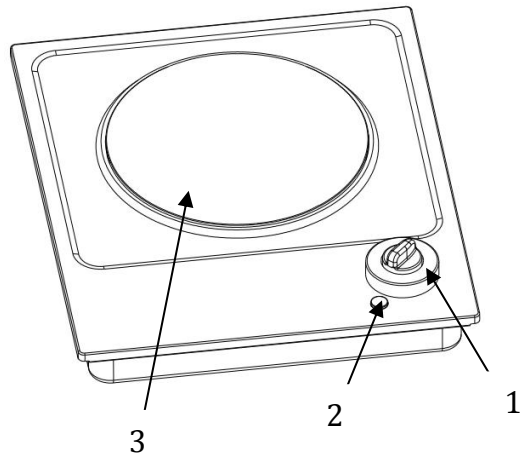
FOR HOUSEHOLD USE ONLY SAVE THESE INSTRUCTIONS

SPECIAL CORD SET INSTRUCTIONS

A short power-supply cord is provided to reduce the risk resulting from becoming entangled in or tripping over a longer cord. An extension cords may be used if care is exercised in its use. If an extension cord is used, the marked electrical rating of the extension cord must be at least as great as the electrical rating of the appliance. The extension cord should be arranged so that it will not drape over the countertop or tabletop where it can be pulled on by children or tripped over unintentionally.

To reduce the risk of electrical shock, this appliance has a polarized plug (one blade is wider than the other). This plug fits a polarized outlet only one way; if the plug does not fit fully into the outlet, reverse the plug. If it still does not fit, contact a qualified electrician. Do not attempt to modify the plug in any way. Improper use of the grounded plug can result in electrical shock. If the power cord is damaged, please contact the professional person.

GETTING TO KNOW YOUR INFRARED COOKER



1. Temperature and Power Control Knob	2. Indicator Light
3. Crystallite Glass Heating Surface	

PRODUCT SPECIFICATIONS (FOR INDOOR USE ONLY)

Model	CMIP-C120	CMIP-C180
Power	1200 Watts	900 Watts + 900 Watts
Voltage	AC 120V	AC 120V
Frequency	60Hz	60Hz

Before Using the appliance for the First Time

1. Remove and safely discard any packaging material and promotional labels before using the appliance for the first time.
2. Wipe the appliance with a soft damp cloth and dry thoroughly.
3. Place the appliance on a dry, level heat resistant surface.
4. There is a protective sticker applied on the Stove as part of the manufacturing process. This sticker must be removed before you use the appliance for the first time.
5. **NOTE:** When turned on for the first time, the appliance may give off vapours for up to 15 minutes. This is due to the protective substances on the heating elements. There is no need for concern and the vapours will dissipate with use.

Operating Your Infrared Cooker

1. Select a suitable position close to an electric socket, on a dry and flat surface.
2. Check that the voltage marked on the product is the same as your supply voltage.
3. Completely unwind power cord and insert power cord into a 120V power outlet. Switch on at the power point.
4. Place a saucepan, in which the food will be cooked, on the appliance.
NOTE: To achieve optimum performance, ensure the diameter of the cooking pot or pan is no larger than the diameter of the appliance.
5. Make sure that the Knobs are turned to OFF setting, plug the appliance.
6. Turn the Knobs to “MIN” position, when hear a click sound means the appliance is on setting, then select the desired temperature setting using the Temperature and Power Control Knob. The Indicator Light will illuminate when the appliance is preheating and cooking. The light may cycle on and off during operation. This cycling is normal and indicates that the correct temperature is being maintained.
NOTE: The temperature settings are adjustable and can be changed at any time during the cooking.
7. To switch the appliance off, turn the Temperature and Power Control Knobs to the OFF position, and then turn the power off at the power outlet and unplug power cord.
NOTE: Due to the Infrared Cooker’s construction, some residual heat will remain after switching off the appliance. This may be used to keep food warm for a short period of time after it has been cooked.
8. **WARNING!** Fully unwind the power cord before use. Do not allow power cord to come in contact with the appliance. Do not move the appliance until it is completely cooled down.
9. **WARNING!** For more efficient performance it is recommended to use a lid when boiling water.

10. Use with all flat bottom cookware – metal, glass, ceramic, woks and tea kettles.

CARE & CLEANING INSTRUCTIONS

Cleaning

1. Before cleaning, turn the Temperature and Power Control Knob to the OFF position, turn off at the power outlet and then unplug. Ensure the appliance has completely cooled down before cleaning.
2. To clean the heating surface, wipe with a damp cloth. A multi purpose spray cleaner may be used.
3. If necessary, the exterior of the unit may be wiped with a slightly damp cloth using a mild detergent.
4. Do not use abrasives, harsh cleaning solutions or metal scourer pads as continued use will scratch the appliance and make subsequent cleaning more difficult.

Storage

1. Always unplug the appliance.
2. Ensure the appliance is completely cooled, clean and dry. Store the appliance upright on the bench or in a convenient cupboard.
3. Do not place anything on top of the appliance during storage.

WARNING! Do not immerse the appliance or power cord and plug in water or any other liquid.

TROUBLE SHOOTING

△ If the product has some abnormal situation, such as: abnormal noise, odor, smoke, etc, it should be cut off the power immediately and stop using.

△ If the product do not work, please check the mains connection cable is firmly plugged in.

△ If the product do not work, please check the position of the knobs.

△ If the product still does not work by above-mentioned check, please go to the designated repair center to maintain and inquiry.