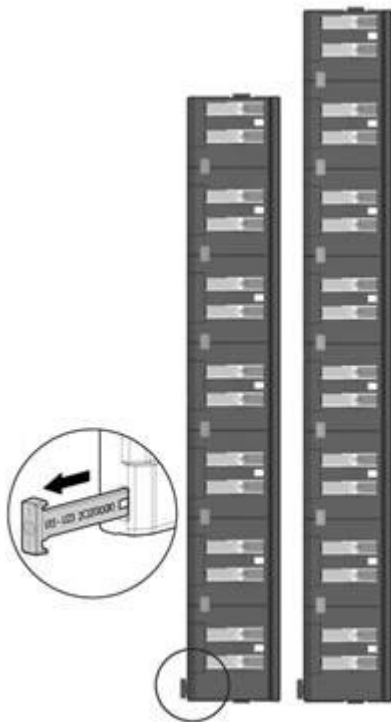


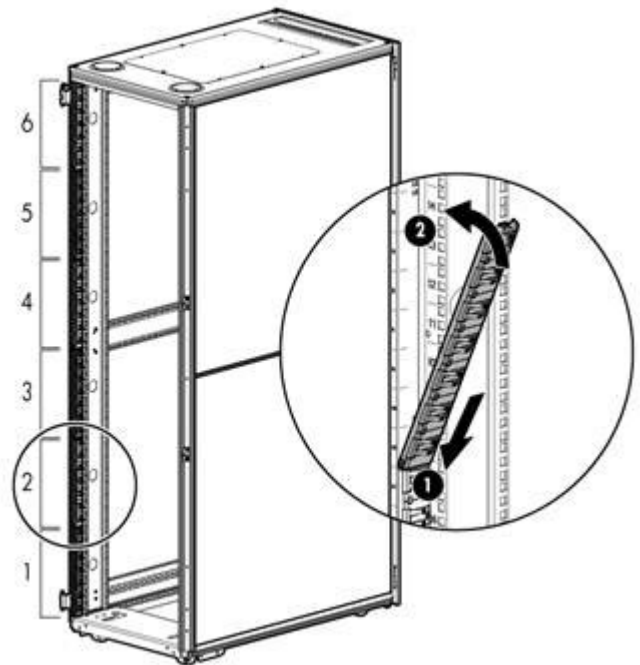
Overview

HP Location Discovery Services is the first solution that merges the physical rack with IT equipment to provide automated location awareness of installed servers for advanced asset management and workload placement.

HP 11000G2 and Intelligent Series Racks equipped with the Location Discovery option provide detailed location information to ProLiant Gen8 servers to track new installations and equipment moves. Upon installation the server's iLO queries and records the rack identifier as well as the exact U location of the server in the rack. Once the server knows exactly where it is located this information can be forwarded to other systems such as HP OneView and HP Insight Control to automatically update new rack configuration. This saves time in configuring hardware and software to manage the data center while eliminating constant manual updates and the associated human errors that can slow resolution to issues and even cause down time and loss of business.



HP Location Discovery Services - 7U & 8U module view



HP Location Discovery Services - rack view

What's New

- New Location Discovery Services kits for the 11000 G2 Series racks in 14U and 22U heights.

Models

HP Location Discovery Services	HP 47U Location Discovery Kit	BW947A
	HP 42U Location Discovery Kit	BW946A
	HP 36U Location Discovery Kit	BW945A
	HP 22U Location Discovery Kit	BW944A
	HP 14U Location Discovery Kit	BW943A
	HP Location Discovery Contact Cover Kit	BW942A

NOTE: Contact covers protect Location Discovery strip contacts in unused rack U space locations. Each Contact Cover Kit contains 25 covers.

Kit Contents

- HP 47U Location Discovery Kit
 - One (1) 7U module
 - Five (5) 8U modules
- HP 42U Location Discovery Kit
 - Six (6) 7U module
- HP 36U Location Discovery Kit
 - Four (4) 7U module
 - One (1) 8U modules
- HP 22U Location Discovery Kit
 - Two (2) 7U module
 - One (1) 8U modules
- HP 14U Location Discovery Kit
 - Two (2) 7U module
- HP Location Discovery Contact Cover Kit
 - Twenty-five (25) individual contact covers

Standard Features

Product Features

- HP Location Discovery Services is an option to HP Intelligent Series racks that provides automatic discovery of Location Discovery enabled systems within the rack.
- The HP Intelligent Series is the first rack family to offer location discovery intelligence for advanced asset management and workload placement information. It provides automatic discovery of Location Discovery enabled systems within the rack, which reduces data center operation costs and eliminates human errors common in inefficient manual documentation processes.
- Data center administrators are now able to automatically and visibly locate Location Discovery enabled systems to the specific U location within a rack.
- Requires a Location Discovery Services enabled HP ProLiant Gen8 DL or ML series server (see appropriate server QuickSpecs for compatibility)
- Requires HP Integrated Lights-Out 4 (iLO Advanced) version 1.20 or greater and the latest system bios
- Fully integrates with HP OneView
- Basic integration with HP Systems Insight Manager (SIM) requires version 7.1 or greater
- Advanced integration with Insight Control power management (ICpm) requires version 7.1.1 or greater (includes iLO Advanced)
- Integration with HP Discovery Services requires HP Intelligent Power Distribution Units (iPDU) with firmware version 1.5 or greater
- Three year limited warranty, parts only (3/0/0)

Industry Standard Support

The HP Intelligent Series Racks with or without Location Discovery installed meet EIA-310-D standards to support HP and third-party equipment designed to mount in 19-inch wide racks.

Rack Compatibility

All HP 11000 G2 Series Racks and all HP Intelligent Series Racks are compatible with HP Location Discovery Services kits.

NOTE: Please see the following QuickSpecs for part numbers:

http://h18004.www1.hp.com/products/quickspecs/14546_na/14546_na.HTML (HP 11000 G2 Series Racks)

http://h18004.www1.hp.com/products/quickspecs/14223_na/14223_na.HTML (HP Intelligent Series Rack)

EIA N/A

UL/CES Certification FCC, VCCI, ICES, CE, C-Tick, KCC

WEEE N/A

RoHS compliant Yes

Innovative Breakthroughs

- Location Discovery Services provides automatic discovery of the Location Discovery enabled systems within the rack, which reduces data center operation costs and eliminates human error
- Time saving tool less installation

Service and Support

Service and Support

HP Technology Services

HP Technology Services offers you technical consultants and support expertise to solve your most complex infrastructure problems. We help keep your business running, boost availability, and avoid downtime.

Protect your business beyond warranty with HP Care Pack Services

Like all HP Rack Options the Location Discovery Kit inherits the Care Pack coverage of ProLiant servers in the same rack. However when you buy HP Options it is also a good time to think about what level of service you may need. HP Care Pack services provide total care and support expertise with committed response choices designed to meet your IT and business need.

HP Foundation Care services deliver scalable support-packages for HP industry-standard servers and software. You can choose the type and level of service that is most suitable for your business needs. New to this portfolio is HP Collaborative Support. If you are running business critical environments, HP offers Proactive Care or Critical Advantage. These services help you deliver high levels of application availability through proactive service management and advanced technical response.

Here is the support service recommendation from the Foundation Care and Proactive Care portfolio. For customized support service solution, HP can work with you to tailor a service solution for your unique support requirements using broader services portfolio of Foundation Care and Proactive Care.

Recommended HP Care Pack Services for optimal satisfaction with your HP product

Recommended Services

3-Year HP 24x7 4 hour Response, Hardware Support Onsite Service

Provides you with rapid remote support and if required an HP authorized representative who will arrive on site any time and day of the year to begin hardware maintenance service within 4 hours of the service request being logged.

<http://h20195.www2.hp.com/V2/GetPDF.aspx/5982-6547EEE.pdf>

OR

3-Year HP 24x7 4 hour Response, HP Collaborative Support

Offers customers a single point of contact for server problem diagnosis, hardware problem resolution, and basic software problem diagnosis, fault isolation, and resolution if available to HP. If the problem is with HP HW, the representative will arrive on site any time and day of the year to begin hardware maintenance service within 4 hours of the service request being logged. In case, the issue is with HP or supported third-party software product and cannot be resolved by applying known fixes, HP will contact the third-party vendor and create a problem incident on your behalf.

HP ProLiant Server Hardware Installation

Provides for the basic hardware installation of HP branded servers, storage devices and networking options to assist you in bringing your new hardware into operation in a timely and professional manner

<http://h20195.www2.hp.com/V2/GetPDF.aspx/5981-9356EN.pdf>

Service and Support

Related HP Care Pack Services to enhance your HP product experience

Related Services

3-Year HP 24x7 4 hour Response, Proactive Care or Critical Advantage

Helps optimize your systems and delivers high levels of application availability through proactive service management and advanced technical response. A skilled Technical Manager will own your query or issue end to end until resolved, delivering a single point of contact for you

<http://h20195.www2.hp.com/V2/GetPDF.aspx/4AA3-2140ENW.pdf>

OR

3-Year HP 6-hour Onsite Call-to-Repair, HP Collaborative Support

Offers customers a single point of contact for server problem diagnosis, hardware problem resolution to return the hardware in operating condition within 6 hours of the initial service request to the HP Global Solution Center, and basic software problem diagnosis, fault isolation, and resolution if available to HP. In case, the issue is with HP or supported third-party software product and cannot be resolved by applying known fixes, HP will contact the third-party vendor and create a problem incident on your behalf.

HP Proactive Select Service

Provides a flexible way to purchase HP best-in-class consultancy and technical services. You can buy Proactive Select Service Credits when you purchase your hardware and then use the credits over the next 12 months.

<http://h20195.www2.hp.com/V2/GetPDF.aspx/4AA2-3842ENN.pdf>

OneView Support

Location Discovery Services is fully integrated with HP OneView. Learn more

<http://www.hp.com/go/insightremotesupport>

Insight Remote Support

Provides 24 X 7 remote monitoring, proactive notifications, and problem resolution. Learn more

<http://www.hp.com/go/insightremotesupport>

HP Support Center

Personalized online support portal with access to information, tools and experts to support HP business products. Submit support cases online, chat with HP experts, access support resources or collaborate with peers. Learn more <http://www.hp.com/go/hpsc>

HP's Support Center Mobile App* allows you to resolve issues yourself or quickly connect to an agent for live support. Now, you can get access to personalized IT support anywhere, anytime.

HP Insight Remote Support and HP Support Center are available at no additional cost with a HP warranty, HP Care Pack or HP contractual support agreement.

*HP' Support Center Mobile App is subject to local availability

Service and Support

Parts and materials

HP will provide HP-supported replacement parts and materials necessary to maintain the covered hardware product in operating condition, including parts and materials for available and recommended engineering improvements. Supplies and consumable parts will not be provided as part of this service; standard warranty terms and conditions apply. Parts and components that have exceeded their maximum supported lifetime and/or the maximum usage limitations as set forth in the manufacturer's operating manual or the technical product data sheet will not be provided, repaired or replaced as part of this service.

Warranty / Service Coverage

For ProLiant servers and storage systems, this service covers HP-branded hardware options qualified for the server, purchased at the same time or afterward, internal to the enclosure, as well as external monitors up to 22" and tower UPS products; these items will be covered at the same service level and for the same coverage period as the server unless the maximum supported lifetime and/or the maximum usage limitation has been exceeded. Coverage of the UPS battery is not included; standard warranty terms and conditions apply.

The defective media retention service feature option applies only to Disk or eligible SSD/Flash Drives replaced by HP due to malfunction. It does not apply to any exchange of Disk or SSD/Flash Drives that have not failed. SSD/Flash Drives that are specified by HP as consumable parts and/or that have exceeded maximum supported lifetime and/or the maximum usage limit as set forth in the manufacturer's operating manual or the technical data sheet are not eligible for the defective media retention service feature option.

For more information

To learn more on services for HP ESSN Options, please contact your HP sales representative or HP Authorized Channel Partner. Or visit: <http://www.hp.com/go/HPQO>

Related Options

HP Care Pack Services

HP Install Rack and Rack Options Service

U2871E

Technical Specifications

**Environment-friendly
Products and Approach****End-of-life Management
and Recycling**

Hewlett-Packard offers end-of-life HP product return, trade-in, and recycling programs in many geographic areas. For trade-in information, please go to: <http://www.hp.com/go/green>. To recycle your product, please go to: <http://www.hp.com/go/green> or contact your nearest HP sales office. Products returned to HP will be recycled, recovered or disposed of in a responsible manner.

The EU WEEE directive (2002/95/EC) requires manufacturers to provide treatment information for each product type for use by treatment facilities. This information (product disassembly instructions) is posted on the Hewlett Packard web site at: <http://www.hp.com/go/green>. These instructions may be used by recyclers and other WEEE treatment facilities as well as HP OEM customers who integrate and re-sell HP equipment.

© Copyright 2013 Hewlett-Packard Development Company, L.P.

The information contained herein is subject to change without notice.

The only warranties for HP products and services are set forth in the express warranty statements accompanying such products and services. Nothing herein should be construed as constituting an additional warranty. HP shall not be liable for technical or editorial errors or omissions contained herein.