



SUBMITTAL SHEET
MODEL 5000TC • 3/4 H.P.
BATCHFEED DISPOSER

- Batch feed operation...No wall switch!
- High-speed 2700 r.p.m. permanent magnet motor produces more power per pound.
- Stainless steel, rust free grinding components.
- Fast and easy mount system provides a no hassle installation.
- Power cord included.
- Sound insulated for quiet operation.
- Safe for properly sized septic tanks.
- Longest warranties in the industry demonstrates commitment to quality.

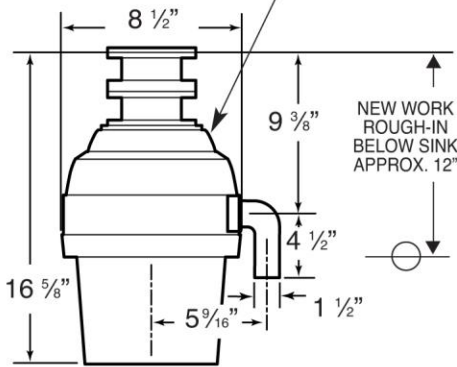


Ten Year In-Home Service Warranty
 (see below).



DIMENSIONS

Knock-out for dishwasher drain connector sized for 7/8" I.D. rubber hose.



Measurements are in inches

SPECIFICATIONS

Motor Horsepower	3/4 H.P.
Motor Speed R.P.M.	2700
Voltage	115
Hz	60
Current-Amps	6.0
Motor Type	Permanent Magnet
Power Cord	Attached
Sink Flange	Stainless Steel & Celcon
Stopper/Actuator	3 Position
Waste Elbow	ABS
Feed	Batch Loading
Grind Ring	Stainless Steel
Swivel Impellers	Cast Stainless Steel
Turntable	Stainless Steel
Hopper	Glass Filled Nylon
Grinding Chamber	Corrosion Proof Glass Filled Polyester
Bearings	Permanently Lubricated; Sleeve Type
Overload Protector	Manual Reset Type
Sound Shell	Yes-Full
Shipping Weight (lbs.)	13.84
Pallet Quantity	75

Due to continued product improvement, system configurations and specifications may change without notice.

Waste King® Warranty

Any Waste King Legend® Model 5000TC less than 10 years old that develops a material or mechanical defect will be replaced, in your home free of charge .



4240 E. La Palma Avenue
 Anaheim, California 92807
 (800) 854-3229