

DOREL ASIA



3 IN 1 CRIB



Model No:

DA6564 (WHITE & GRAY)

UPC CODE:

0-65857-16619-4

NOTE:

THIS INSTRUCTION BOOKLET
CONTAINS **IMPORTANT** SAFETY
INFORMATION. PLEASE READ AND
KEEP FOR FUTURE REFERENCE.

Lot number:

(TAKEN FROM CARTON)

Date of purchase:

_____ / _____ / _____

DO NOT RETURN PRODUCT TO THE STORE.
If a part is missing or damaged, contact our customer service
department. We will replace the part **FREE** of charge.



Tel #: 1-800-295-1980
E-Mail: das@dorel.com
Fax #: 514-353-7819

CUSTOMER SERVICE

If you are missing parts or have any questions about this product, contact our customer service representative first!



CALL 1-800-295-1980

You can also order parts by writing to the address listed below. Please include the product model number, color and a detailed description of the part.

**Customer Service Department No. 413
12345 Albert-Hudon Boulevard, Suite 100
Montreal, Quebec
Canada, H1G 3L1
E-MAIL: das@dorel.com**



WARNING

- * Failure to follow these warnings and assembly instructions could result in serious injury or death.
- * Read all instructions before assembling crib. **KEEP INSTRUCTIONS FOR FUTURE USE.**
- * Check this product for damaged hardware, loose joints, loose bolts or other fasteners, missing parts or sharp edges before assembly and frequently during use. Securely tighten loose bolts and other fasteners. **DO NOT** use crib if any parts are missing, damaged or broken. Contact a customer service representative at 1-800-295-1980 for replacement parts and instructional literature if needed. **DO NOT** substitute parts.
- * Infants can suffocate on soft bedding. Never add a pillow or comforter. Never place additional padding under an infant.
- * Stop using crib when child begins to climb out or reaches the height of 35 inches (89 cm).
- * To reduce the risk of SIDS, pediatricians recommend healthy infants be placed on their backs to sleep, unless otherwise advised by your physician.
- * **DO NOT** place crib near window where cords from blinds or drapes may strangle a child.
- * Strings can cause strangulation! **DO NOT** place items with a string around a child's neck, such as hood strings or pacifier cords. **DO NOT** suspend strings over a crib or attach strings to toys.
- * To help prevent strangulation tighten all fasteners. A child can trap parts of the body or clothing on loose fasteners.
- * If refinishing, use a non-toxic finish specified for children's products.
- * When child is able to pull to standing position, set mattress to lowest position and remove bumper pads, large toys and other objects that could serve as steps for climbing out.
- * Never use plastic shipping bags or other plastic film as mattress covers because they can cause suffocation.
- * Replace teething rail if damaged or loose (if teething rail is provided for this model).
- * Follow warnings on all products in a crib.
- * **CAUTION: ANY MATTRESS USED IN THIS CRIB MUST BE AT LEAST 27-1/4 INCHES BY 51-5/8 INCHES (69CM BY 131CM) WITH A MINIMUM THICKNESS OF 4 INCHES (10CM) BUT NOT EXCEEDING 6 INCHES (15CM).**
- * Infants can suffocate in gaps between crib sides and a mattress that is too small.
- * The **TODDLER BED** or **DAY BED** is not intended for children under 15 months of age or over 50 pounds (22.7kgs)
- * If guardrails are used as the mattress containment means, guardrail(s) provided must be used to avoid the formation of a gap between the mattress and the bed that could cause an entrapment (when product is used as a **TODDLER BED** or **DAY BED**).
- * The mattress intended for use on the bed shall be a full-size crib mattress having minimum dimensions of 51-5/8 in. (1310 mm) in length and 27-1/4 in. (690 mm) in width with a minimum thickness of 4 in. (100 mm) and not exceeding 6 in. (150 mm).

NOTES

- * Ensure all parts and components are present before beginning assembly.
- * Assemble on a soft, smooth surface to prevent damage to product finish.
- * Phillips head screw driver is not included.
- * **DO NOT** use power tools.
- * CAUTION: Adult assembly required.
- * Assembly will require two people.
- * Estimated assembly time: 30 minutes.

CARE AND CLEANING

Dust regularly with a soft, lint-free cloth to prevent soil build-up. A damp cloth may be used occasionally to clean surface. Dry immediately. Do not use any abrasives that may damage finish. Excessive exposure to sunlight and extreme changes in temperature and moisture can damage wood furniture.

MAINTENANCE

Check bolts/screws periodically and tighten them if necessary.

LIMITED WARRANTY

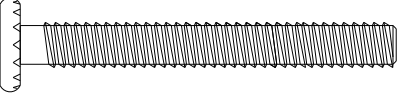
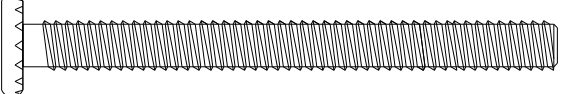
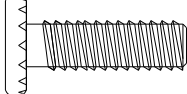
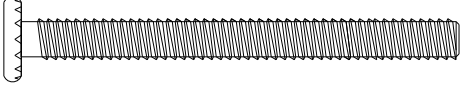

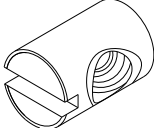
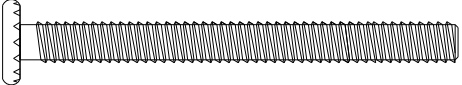
Dorel Asia warrants its product to be free from defects in material and workmanship and agrees to remedy any such defect. This warranty covers 1 year from the date of original purchase. This warranty is valid only upon presentation of proof of purchase. This is solely limited to the repair or replacement of defective furniture components and no assembly labor is included. This warranty does not apply to any product which has been improperly assembled, subjected to misuse or abuse or which has been altered or repaired in any way. This warranty gives you specific legal rights and you may also have other rights which vary from State to State.



WARNING: Should this product become damaged, and/or components are broken or missing, DO NOT USE.





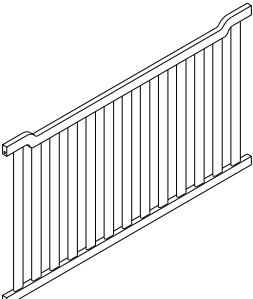


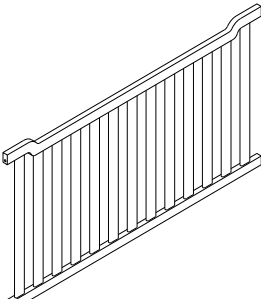
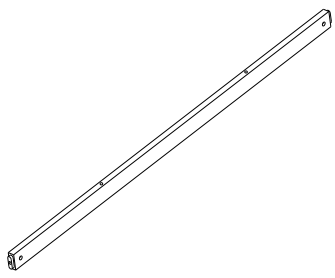
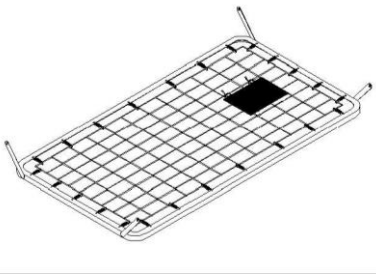
3 IN 1 CRIB DA6564

HARDWARE LIST

<p>1</p>  <p>Ø1/4" X 13mm X 44mm</p>	<p>2</p>  <p>Ø1/4" X 13mm X 78mm</p>
<p>BOLT 8 PCS</p>	<p>BOLT 8 PCS</p>
<p>3</p>  <p>Ø1/4" X 13mm X 18mm</p>	<p>4</p>  <p>Ø1/4" X 13mm X 55mm</p>
<p>MATTRESS SUPPORT BOLT 16 PCS</p>	<p>BOLT 2 PCS</p>
<p>5</p>  <p>ALLEN KEY 1 PC</p>	<p>6</p>  <p>Ø1/4" X 10mm X 13mm</p>
<p>BOLT 2 PCS</p>	<p>BARREL NUT 8 PCS</p>
<p>7</p>  <p>Ø1/4" X 13mm X 60mm</p> <p>BOLT 2 PCS</p>	

3 IN 1 CRIB DA6564

PARTS LIST

<p>A1</p> 	<p>A2</p> 	<p>B1</p> 
<p>LEFT FRONT POST 1 PC</p>	<p>RIGHT FRONT POST 1 PC</p>	<p>LEFT BACK POST 1 PC</p>
<p>B2</p> 	<p>C</p> 	<p>D</p> 
<p>RIGHT BACK POST 1 PC</p>	<p>BACK PANEL 1 PC</p>	<p>LEFT SIDE PANEL 1 PC</p>
<p>E</p> 	<p>F</p> 	<p>G</p> 
<p>RIGHT SIDE PANEL 1 PC</p>	<p>FRONT PANEL 1 PC</p>	<p>FRONT RAIL 1 PC</p>
<p>H</p> 		
<p>MATTRESS SUPPORT 1 PC</p>		

3 IN 1 CRIB DA6564



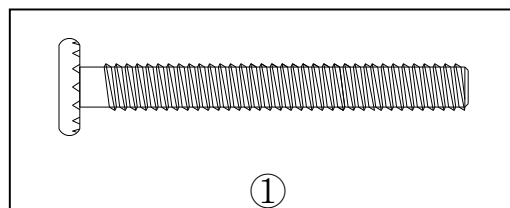
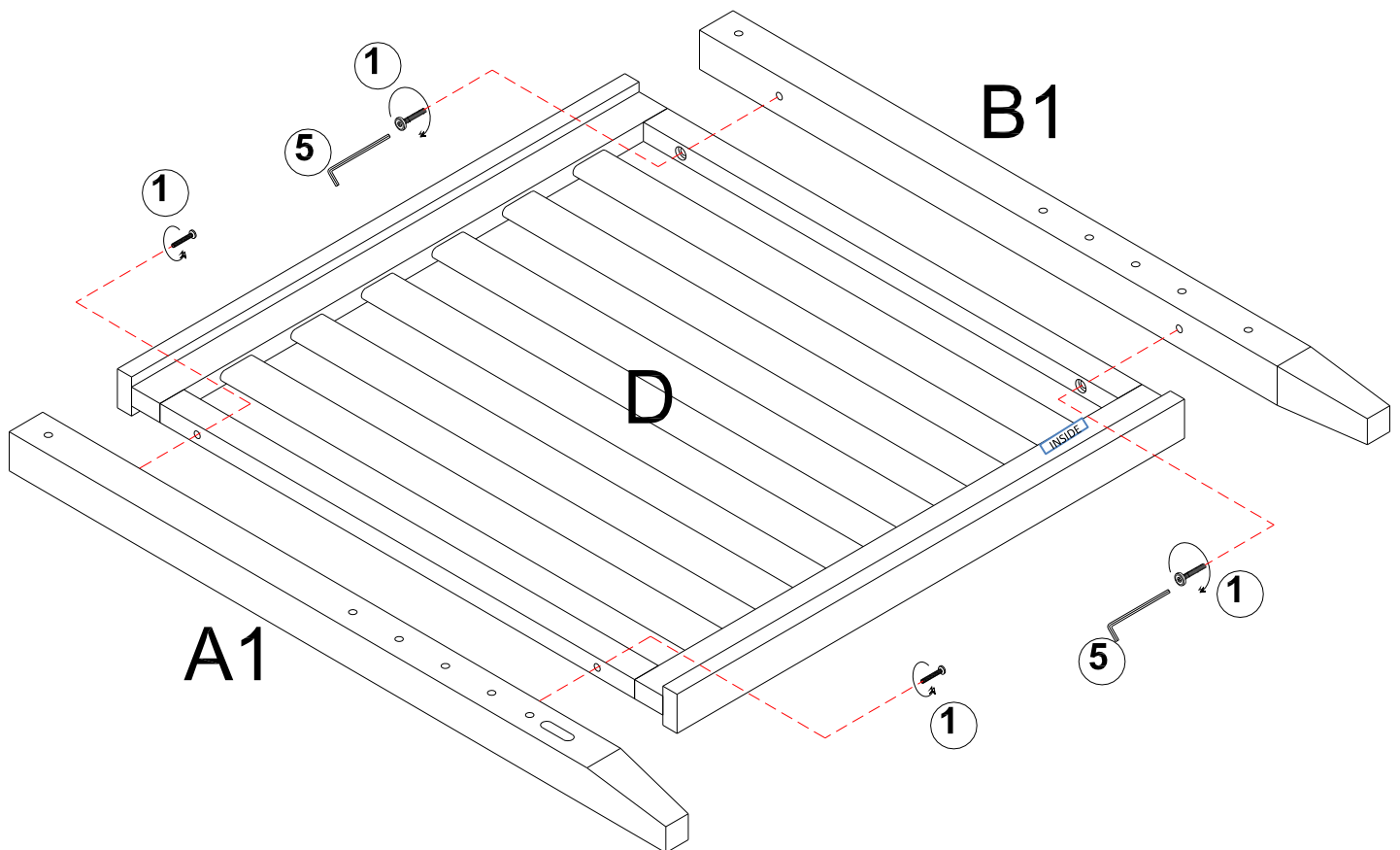
CRIB ASSEMBLY INSTRUCTION

NOTE: When inserting bolts, turn clockwise until tight. Then loosen 1/2 - 3/4 of a turn. After crib is completely assembled, return to each bolt and tighten. Use wax or soap on all bolts to facilitate assembly.

3 IN 1 CRIB DA6564

STEP 1

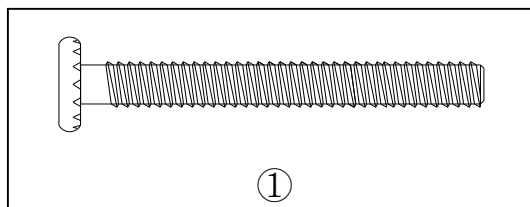
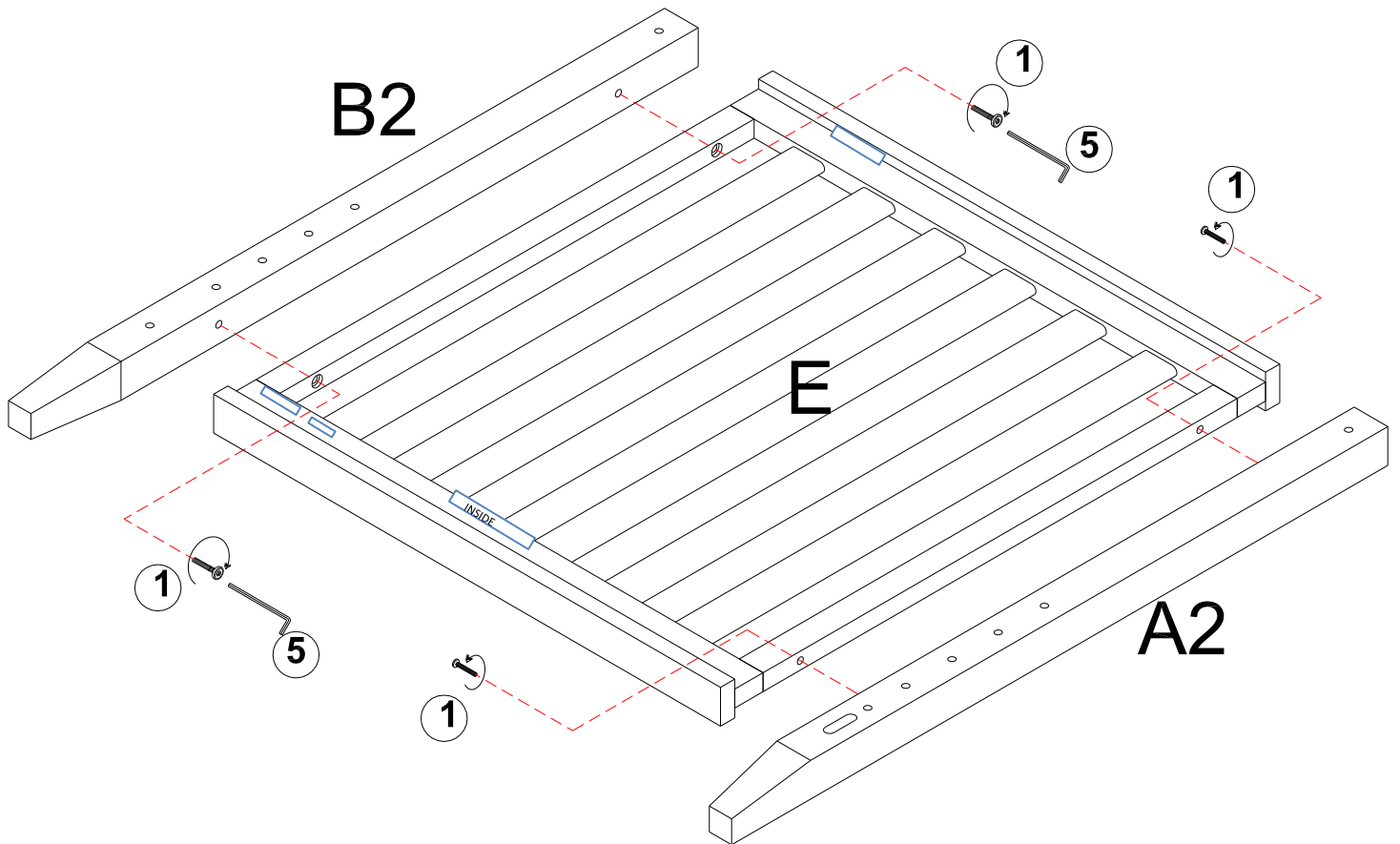
Attach left front post (A1) & left back post (B1) to left side panel (D) with bolts (1) as shown.
Use Allen Key (5) to tighten all bolts (1).



3 IN 1 CRIB DA6564

STEP 2

Attach right front post (A2) & right back post (B2) to right side panel (E) with bolts (1) as shown. Use Allen Key (5) to tighten all bolts (1).



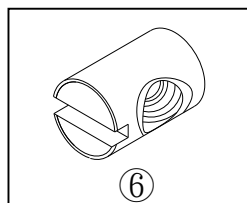
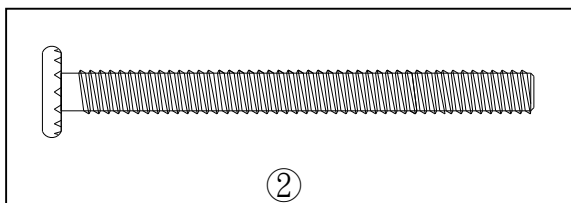
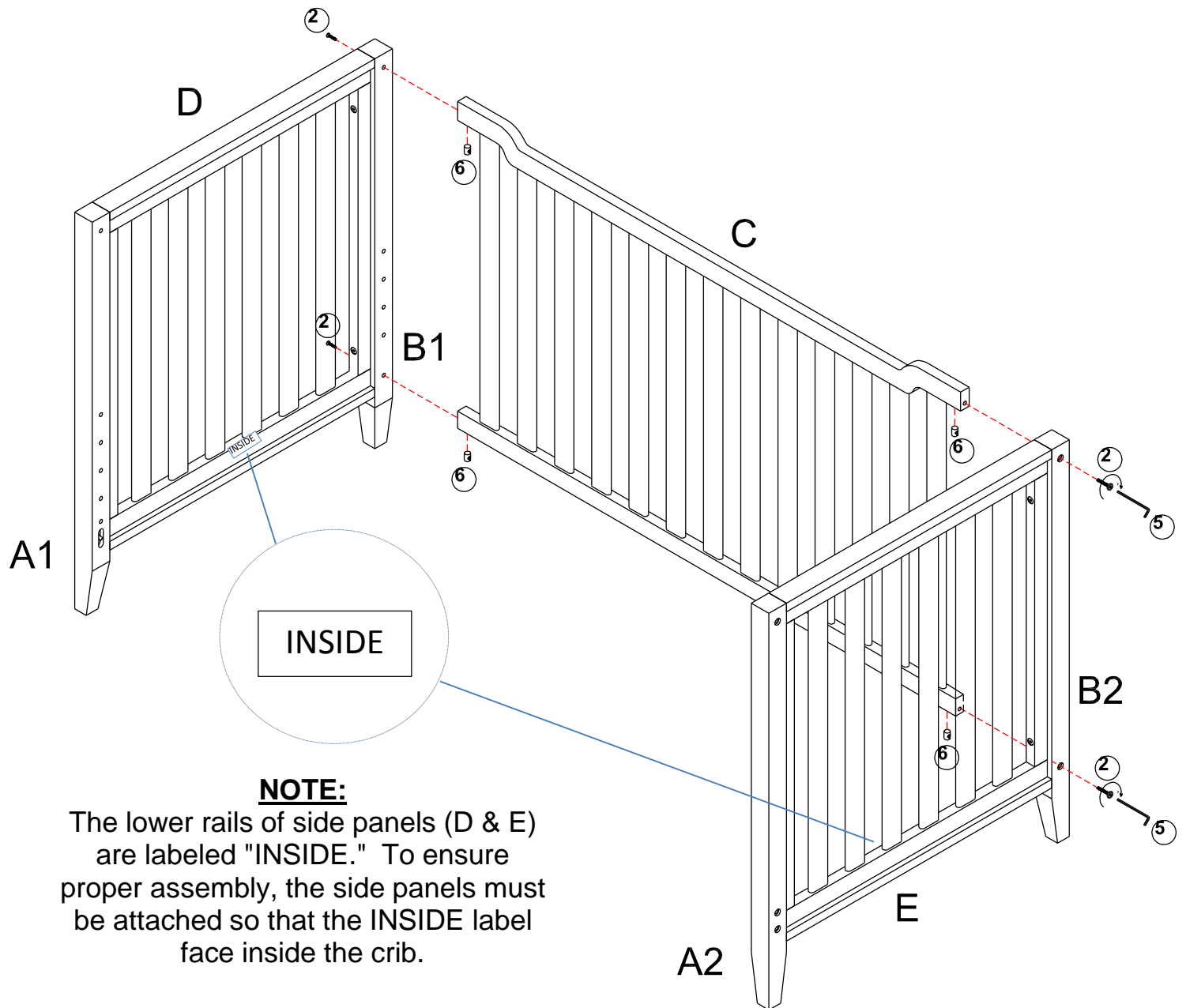
3 IN 1 CRIB DA6564

STEP 3

Attach the back panel (C) to left back post (B1) of left side panel (D) with bolts (2) and barrel nuts (6) as shown.

Use Allen Key (5) to tighten all bolts (2).

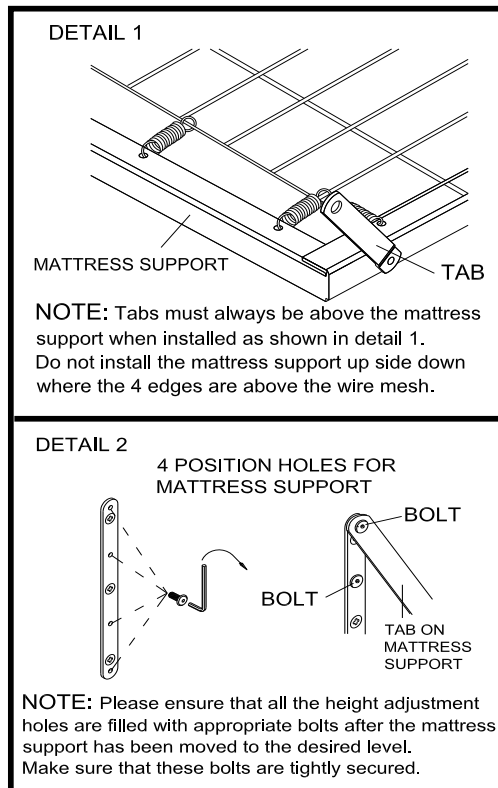
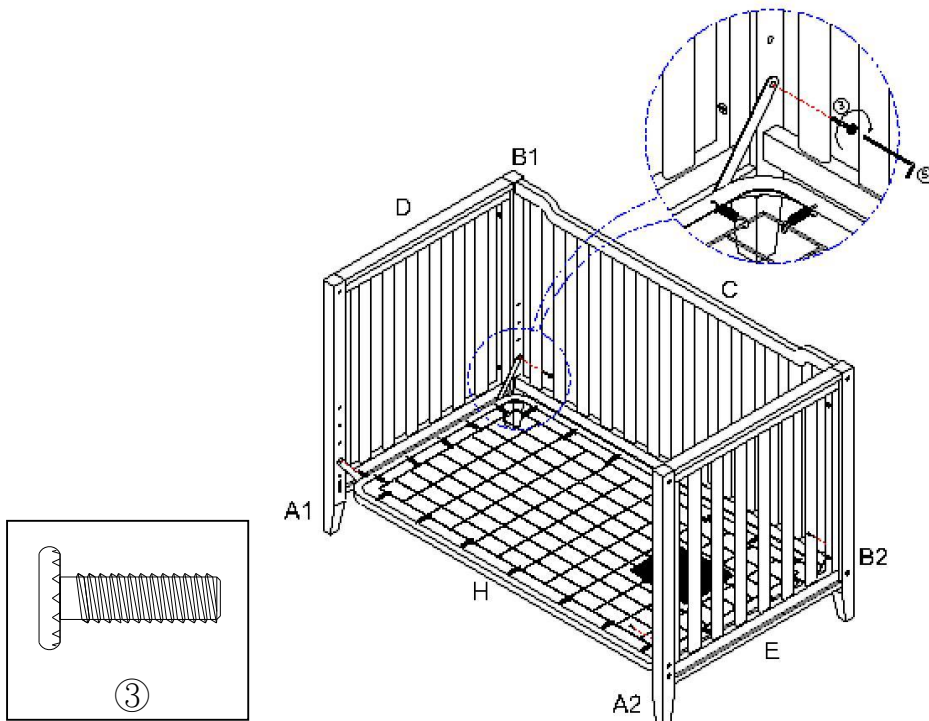
Repeat this step to attach back panel (C) to right back post (B2) of right side panel (E).



3 IN 1 CRIB DA6564

STEP 4

Attach mattress support (H) to the posts with mattress support bolts (3).
Use Allen key (5) to tighten the bolts (3).



✗ INCORRECT-
Raised edge should face down -this photo shows mattress support is upside down.



✗ INCORRECT-
Tabs on corners of mattress support should point up.



✓ CORRECT
* Tabs to point UP.
* Flat surface of mattress support to face up - mattress must sit on flat surface.

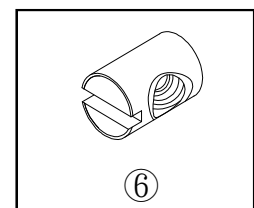
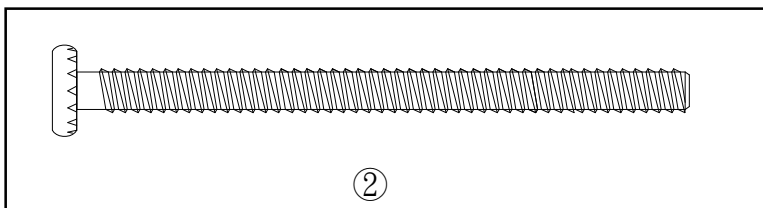
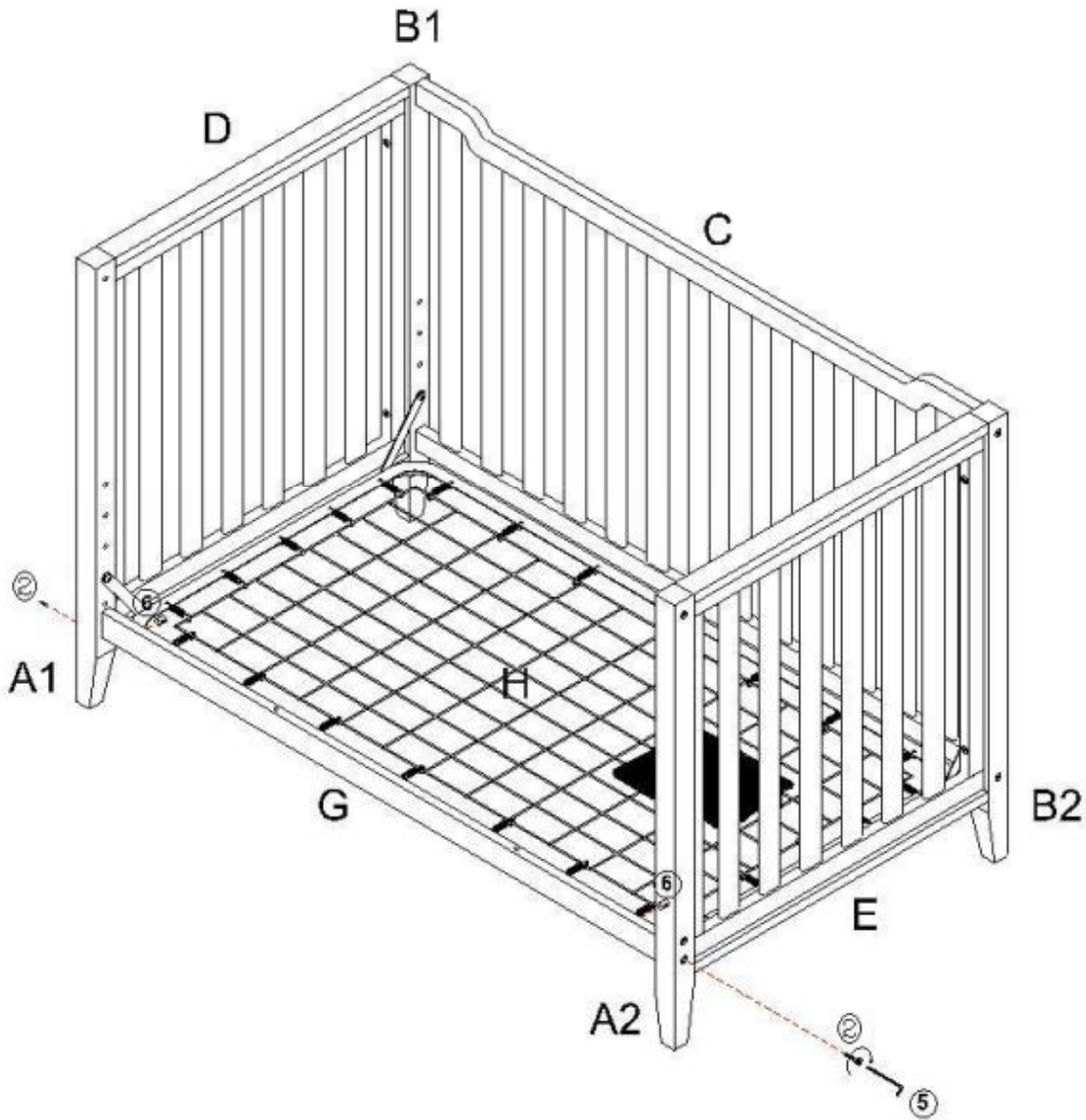
NOTE: The above photos and drawings showing how to properly attach the mattress support are for reference only. Crib styles and colors will vary.

3 IN 1 CRIB DA6564

STEP 5

Attach front rail (G) to left front post (A1) of left side panel (D) with bolt (2) and barrel nut (6).
Use Allen key (5) to tighten the bolt (2).

Repeat this step to attach front rail (G) to right front post (A2) of right side panel (E).

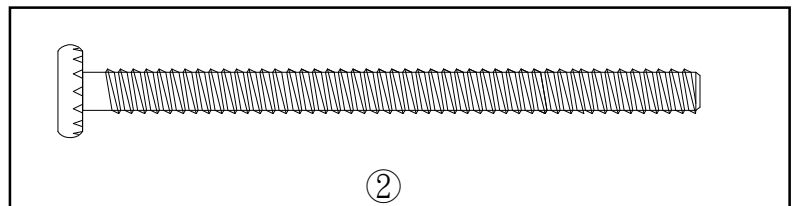
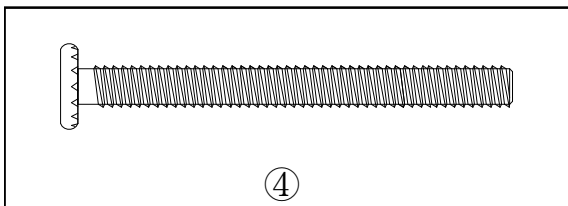
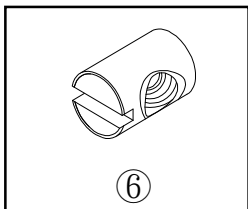
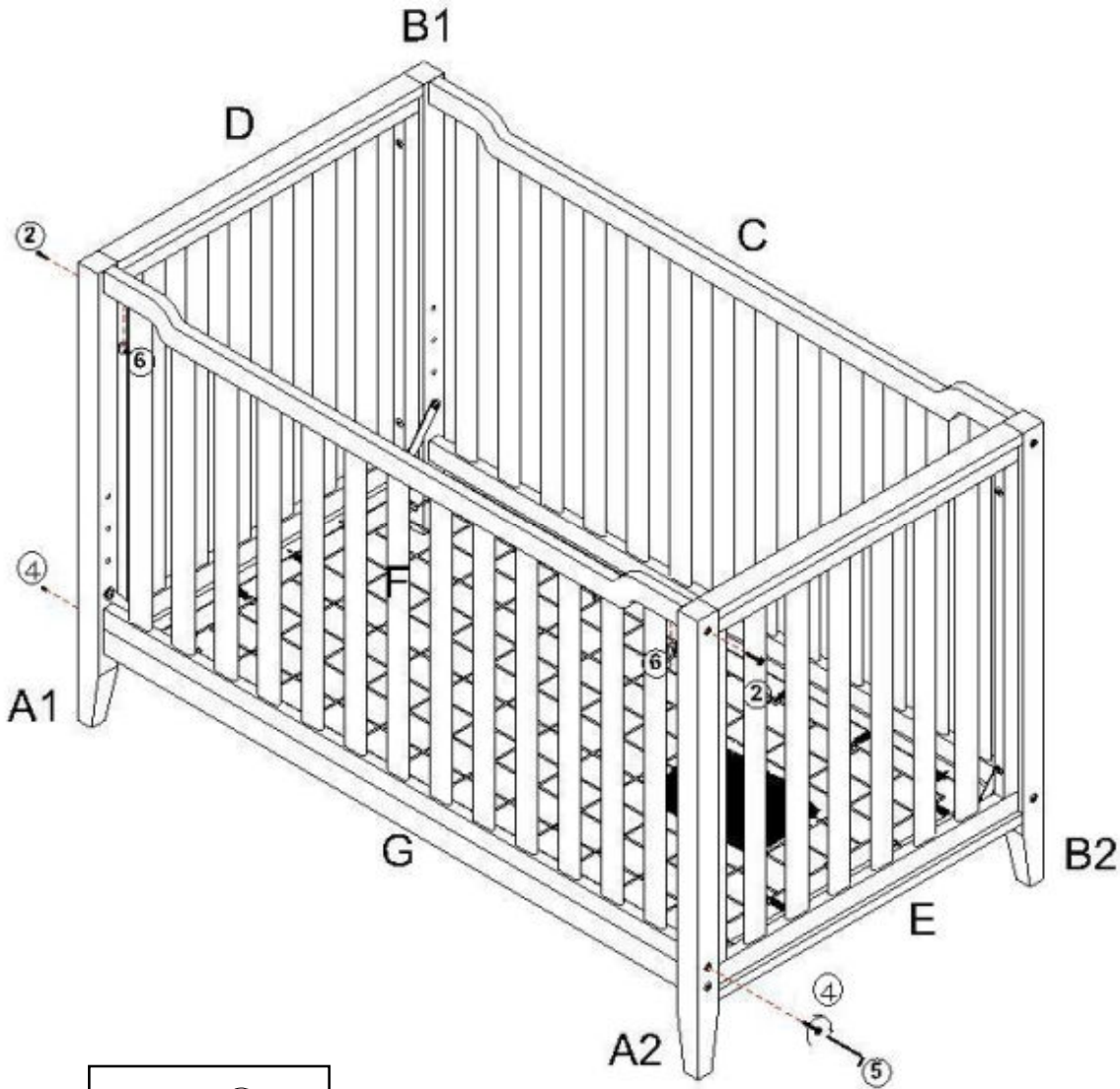


3 IN 1 CRIB DA6564

STEP 6

Attach front panel (F) to left front post (A1) of left side panel (D) with bolts (2) (4) and barrel nut (6). Use Allen key (5) to tighten the bolts (2) (4) .

Repeat this step to attach front panel (F) to right front post (A2) of right side panel (E).



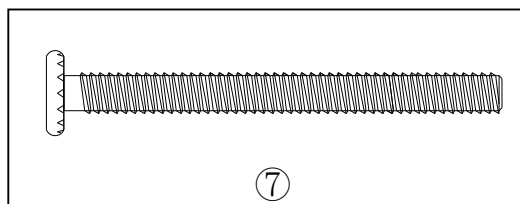
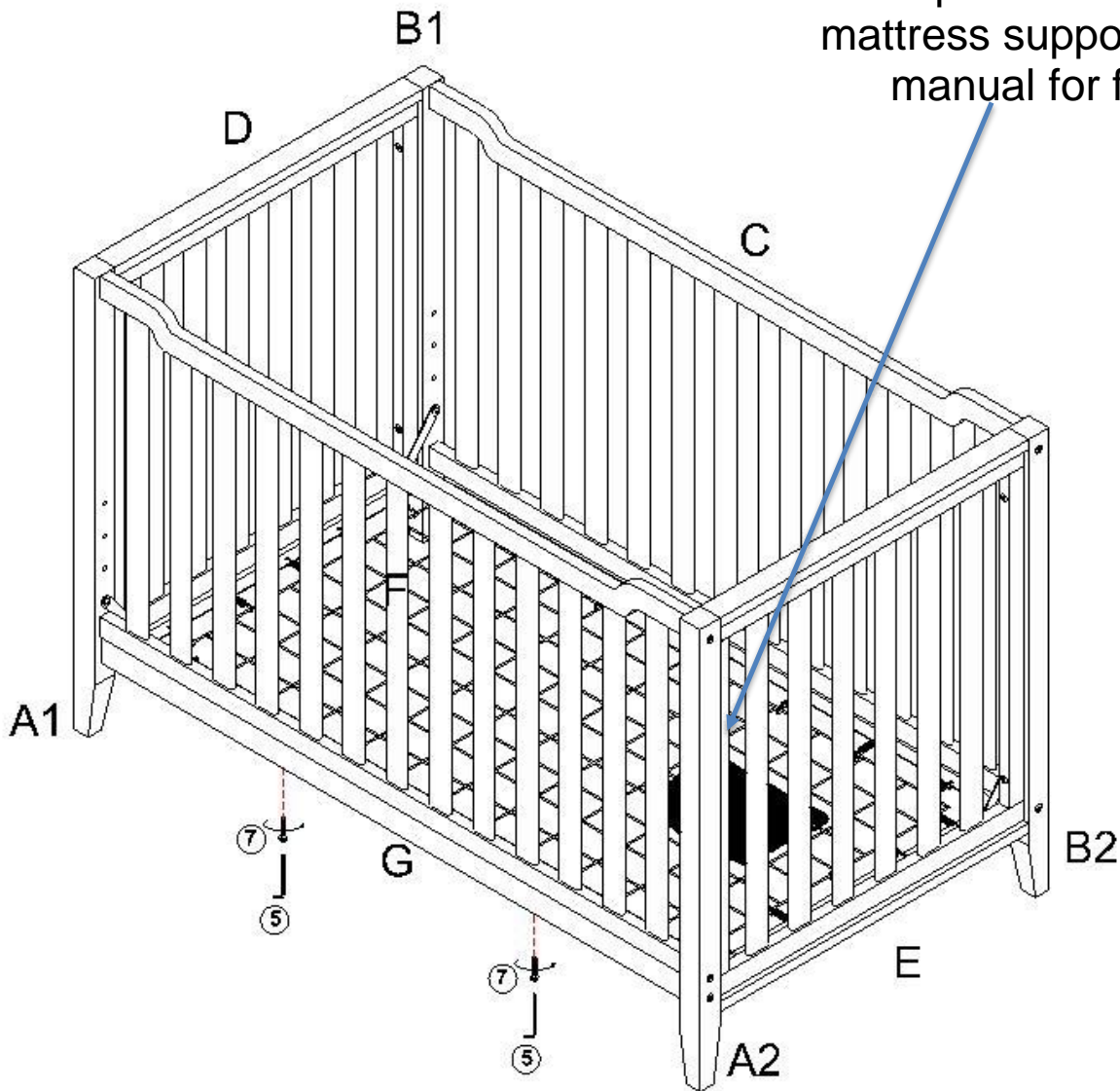
3 IN 1 CRIB DA6564

STEP 7

Fasten the front panel (F) and front rail (G) with bolts (7).
Use Allen key (5) to tighten the bolts (7).

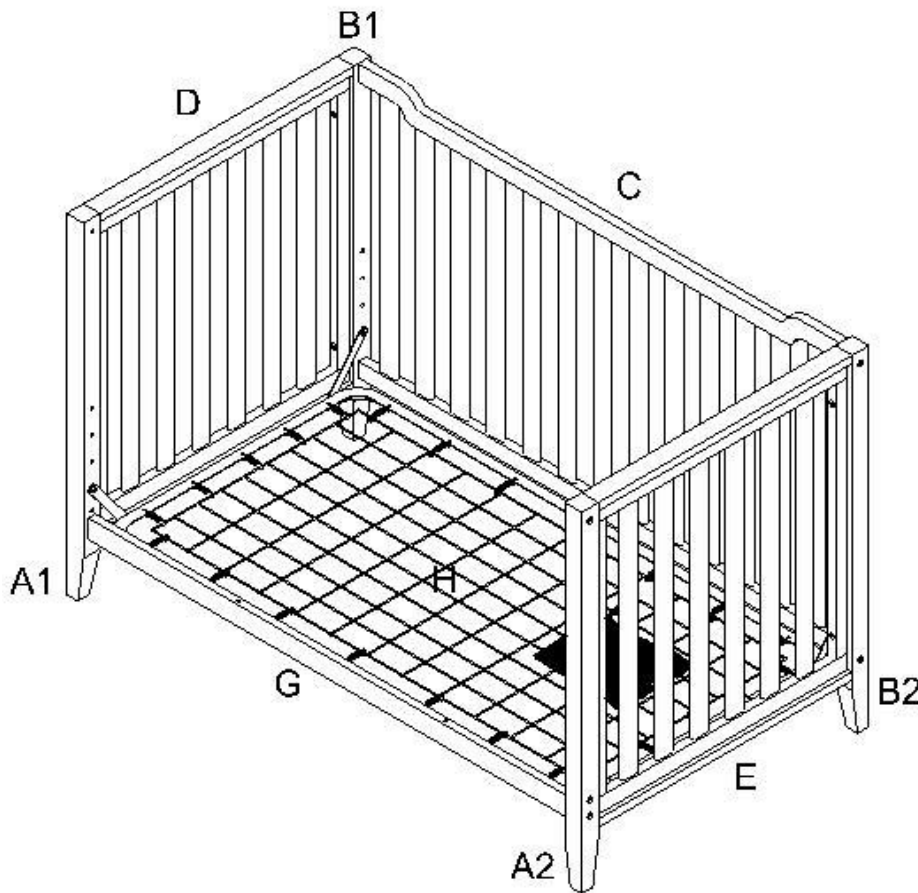
NOTE:

DO NOT throw away this instruction manual. Use the crib pouch attached to the mattress support to store this manual for future use.



3 IN 1 CRIB

DA6564



WARNINGS:

- * ANY MATTRESS USED IN THIS CRIB MUST BE AT LEAST 27-1/4 INCHES BY 51-5/8 INCHES (69CM BY 131CM) WITH A MINIMUM THICKNESS OF 4 INCHES (10CM) BUT NOT EXCEEDING 6 INCHES (15CM).
- * The day bed is not intended for children under 15 months of age or over 50 lbs (22.7 kgs).

DAY BED ASSEMBLY: STARTING FROM CRIB

- STEP 1:** Unscrew the bolts (7) underneath the front rail (G) with Allen Key (5).
- STEP 2:** Detach the front panel (F) from the posts (A1 & A2) with Allen Key (5).
- STEP 3:** If mattress support (H) is not in the lowest position, unscrew bolts (3) from left & right posts (A1, A2, B1 & B2) and move to the lowest position.
- STEP 4:** Ensure all bolts are tightly secured.

DAY BED ASSEMBLY: STARTING FROM SCRATCH

- STEP 1:** Follow steps 1 to 4 of the crib assembly instructions.

3 IN 1 CRIB

DA6564

FULL SIZE BED ASSEMBLY INSTRUCTION (HEADBOARD ONLY)

NOTE: FULL SIZE CONVERSION RAILS ARE NOT INCLUDED. DIAGRAMS ARE FOR REFERENCE ONLY. BED RAILS MAY DIFFER FROM ILLUSTRATION.

STEP 1

Attach the full size conversion rails (not included) to the assembled headboard (B1, B2 & C).

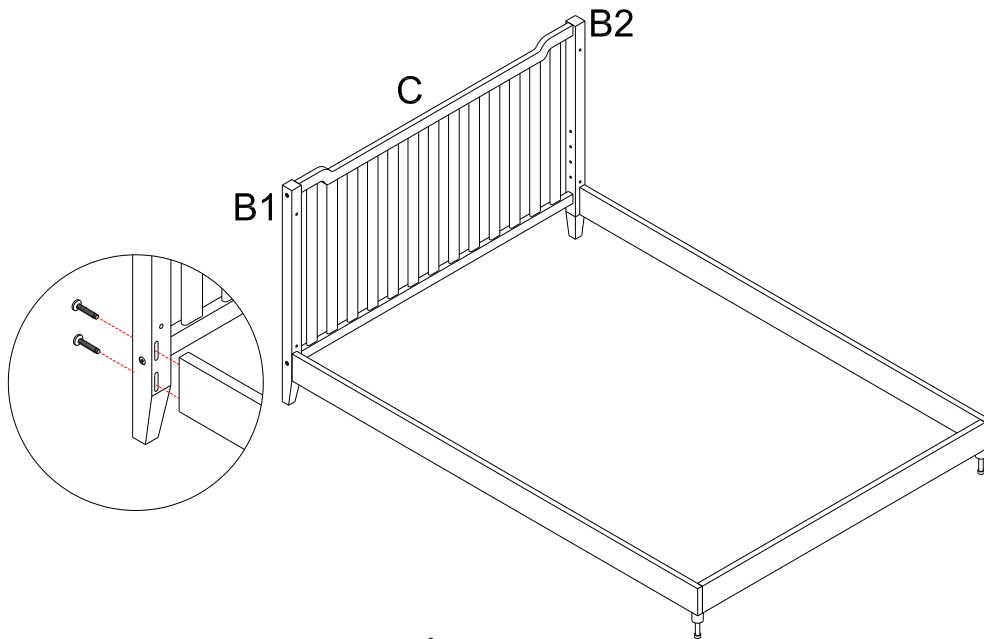


DIAGRAM 1

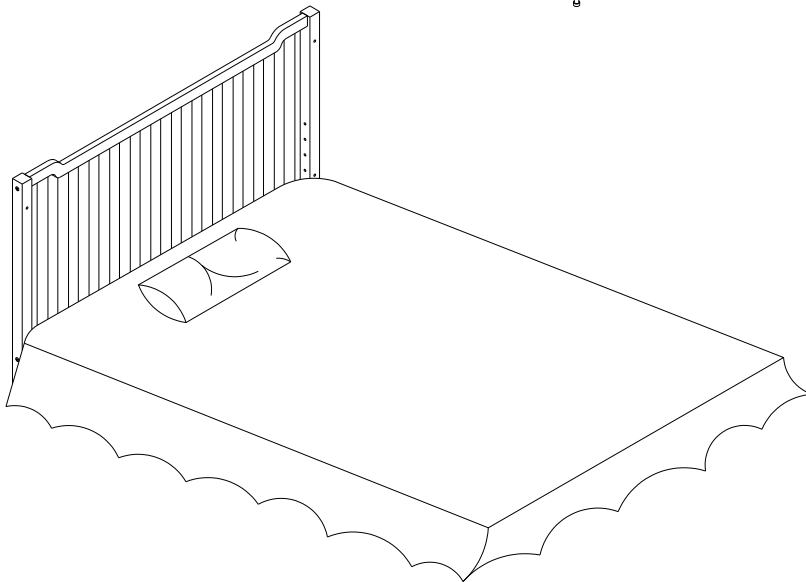


DIAGRAM 2

IMPORTANT: STORE ALL EXTRA PARTS THAT YOU ARE NOT USING FOR POSSIBLE FUTURE USE AS YOU MAY WISH TO CONVERT AGAIN. ALWAYS STORE THE ASSEMBLY INSTRUCTIONS IN THE POUCH ATTACHED TO THE MATTRESS SUPPORT (H).

3 IN 1 CRIB DA6564



CAUTION: This unit is intended for use only with the products and/or maximum weights indicated. Use with other products and/or products heavier than the maximum weights indicated may result in instability or cause possible injury.

ANY MATTRESS USED IN THIS CRIB MUST BE AT LEAST 27-1/4 INCHES BY 51-5/8 INCHES (69CM BY 131CM) WITH A MINIMUM THICKNESS OF 4 INCHES (10CM) BUT NOT EXCEEDING 6 INCHES (15CM).

Stop using crib when child begins to climb out or reaches the height of 35 inches (89 cm).

Maximum weight not to exceed 50 pounds when used as a crib.

The DAY BED is not intended for children under 15 months of age or over 50 pounds (22.7 kgs).



That's it ! You've finished assembling your 3 in 1 convertible crib!

DO NOT RETURN PRODUCT TO THE STORE.
If a part is missing or damaged, contact our customer service department. We will replace the part **FREE** of charge.



Tel #: 1-800-295-1980
E-Mail: das@dorel.com
Fax #: 514-353-7819

Customer Service

PLEASE DO NOT RETURN THIS PRODUCT TO THE STORE

PLEASE CONTACT CUSTOMER SERVICE REPRESENTATIVES AT THE FOLLOWING NUMBERS SHOULD THERE BE ANY MISSING OR DEFECTIVE PART(S).

Customer Service Phone Number 1-800-295-1980	Email: das@dorel.com
Customer Service Fax Number 514-353-7819	

Request Date:

Name:

Shipping Address:

Street & Number:

City & State:

Zip Code:

Day Time Phone Number:

(including area code)

Date & Place of Purchase:

Part(s) description and quantity: (Please be sure to list model number or SKN number)

Customer Service Representative Mailing Address:

Customer Service Department No. 413, 12345 Albert-Hudon Boulevard, Suite 100, Montreal, QC, Canada, H1G 3L1