

SEARS
Parts & Repair Services

**REPAIR
PARTS
LIST**

**587.70211410
587.70235410
587.70321410**

For Parts or Service:

Call

**1-800-4-MY-HOME®
(1-800-469-4663)**

Or Visit

www.sears.com



GARBAGE DISPOSER

In all orders or correspondence, avoid delays and misunderstandings by always giving the complete model number shown

All repair parts listed are available for immediate purchase or special order when you visit your nearest Sears Parts & Repair Center, or the Service Department at most Sears stores. To order parts by phone, call the toll-free number listed to the left or visit sears.com.

When requesting service or ordering parts, always provide the following information:

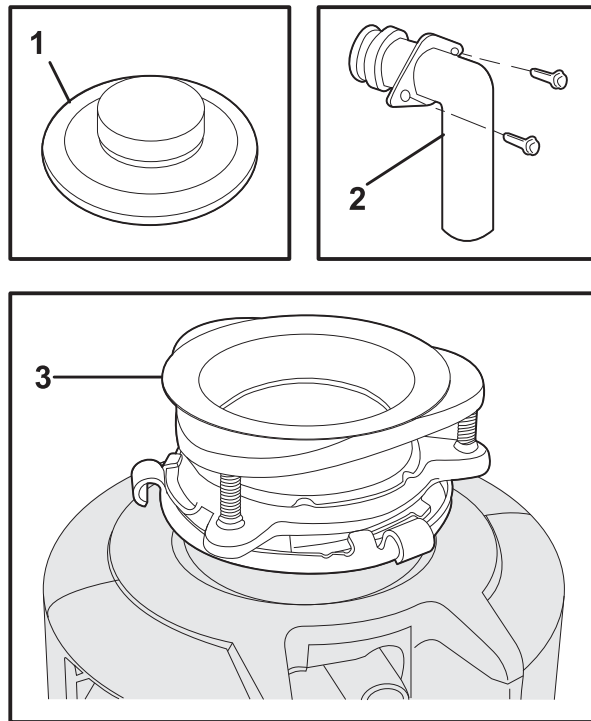
- Product Type
- Part Number
- Model Number
- Part Description

Sears Brands Management Corporation, Hoffman Estates, IL 60179

Publication number 5995650784

RECOMMENDED SPARE PARTS

CAUTION: Use the Kenmore part number to order part, not the illustration number.



Disposer Parts

RECOMMENDED SPARE PARTS

CAUTION: Use the Kenmore part number to order part, not the illustration number.

Model Index: **A** 587.7021 (587.70211410)
 B 587.7023 (587.70235410)
 C 587.7032 (587.70321410)

POS. NO	PART NO.		DESCRIPTION
1	5304485146	A B C	Stopper, stainless
1	5304485147	A B C	Stopper, plastic
2	5303300901	A B C	Elbow Assembly, drain
3	5304485148	A B C	Mounting Assembly, complete, to sink
*	5995650784	A B C	Repair Parts Catalog
*	5304498502	A B C	Owners Manual

Get it fixed, at your home or ours!

Your Home

For troubleshooting, product manuals and home solutions advice:

manage my home

www.managemyhome.com

For repair – **in your home** – of **all** major brand appliances, lawn and garden equipment, or heating and cooling systems, **no matter who made it, no matter who sold it!**

For the replacement parts, accessories and owner's manuals that you need to do-it-yourself.

For Sears professional installation of home appliances and items like garage door openers and water heaters.

1-800-4-MY-HOME[®] (1-800-469-4663)

Call anytime, day or night (U.S.A. and Canada)

www.sears.com www.sears.ca

Our Home

For repair of carry-in items like vacuums, lawn equipment, and electronics, call anytime for the location of your nearest

Sears Parts & Repair Service Center

1-800-488-1222 (U.S.A.)

www.sears.com

1-800-469-4663 (Canada)

www.sears.ca

To purchase a protection agreement on a product serviced by Sears:

1-800-827-6655 (U.S.A.)

1-800-361-6665 (Canada)

Para pedir servicio de reparación a domicilio, y para ordenar piezas:

1-888-SU-HOGAR[®]

(1-888-784-6427)

www.sears.com

Au Canada pour service en français:

1-800-LE-FOYER^{MC}

(1-800-533-6937)

www.sears.ca

Sears