



35" CAST STONE FIRE PIT

Model SJFP35-STN

Form No. SJ-SJFP35-STN-880E-M


A Division of Snow Joe®, LLC

OPERATOR'S MANUAL

IMPORTANT! Safety Instructions

All Operators Must Read These Instructions Before Use

Read all the instructions contained in this manual. Keep this manual in a safe place, so that the information is available at all times. If you give this equipment to another person, make sure to provide these operating instructions. Basic safety precautions should always be followed to reduce the risk of fire or explosion, which could cause property damage, personal injury or death.

Notice the personal safety alert symbol  used in this manual to draw your attention to a **WARNING** given along with the particular operating instruction. This means that the operation requires special **ATTENTION, CAUTION** and **AWARENESS**.

FOR OUTDOOR USE ONLY (outside any enclosure)

WARNING

1. Improper installation, adjustment, alteration, service or maintenance may result in property damage, injury or death.
2. Thoroughly read the instructions for installation, operation and maintenance before installing or servicing this equipment.
3. Failure to follow these instructions could result in a fire or explosion, which could cause property damage, personal injury or death.

WARNING

1. This item is for outdoor use only, and should NEVER be used in a building, garage or any other enclosed area.
2. DO NOT use this fire pit for indoor heating. TOXIC carbon monoxide fumes can accumulate and cause asphyxiation or death.
3. This fire pit is NOT for commercial use.
4. This fire pit is NOT to be operated by children.

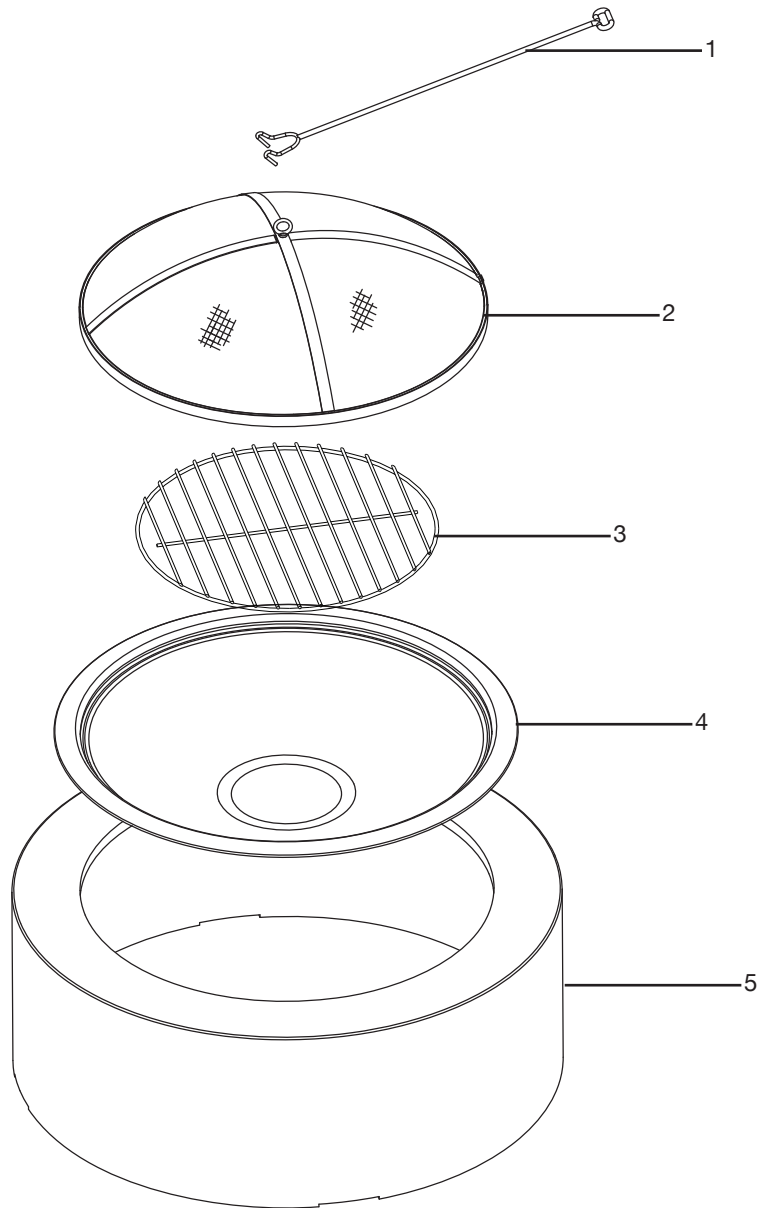
5. This fire pit is NOT to be used in or on boats or recreational vehicles.
6. Always use this equipment in accordance with all applicable local, state and national regulations. Contact your local fire department for details on outdoor burning.
7. When using this fire pit, exercise the same precautions as you would with any open fire.
8. The use of alcohol, prescription or non-prescription drugs may impair the consumer's ability to properly assemble or safely operate this fire pit.
9. DO NOT use this fire pit without reading this entire manual and all WARNINGS, cautions and instructions.
10. This fire pit is designed for use with dry, seasoned hardwood. Such wood will burn hotter, burn more completely and create less smoke.
11. DO NOT burn charcoal briquettes, lump charcoal, manufactured logs, driftwood, trash, leaves, papers, cardboard, plywood, or painted, stained or pressure-treated wood. Avoid using softwoods such as pine or cedar that can throw sparks.
12. DO NOT alter this fire pit in any manner.
13. DO NOT use this fire pit until it is COMPLETELY assembled and all parts are securely fastened and tightened.
14. DO NOT store or use gasoline or other flammable vapors or liquids in the vicinity of this or any other appliance.
15. DO NOT store or use an LP gas cylinder within 10 feet (3.05 m) of this fire pit while it is in operation.
16. DO NOT use this fire pit near automobiles, trucks, vans or recreational vehicles.
17. DO NOT use in an explosive atmosphere. Keep outdoor area clean and free from combustible materials, gasoline and other flammable liquids.
18. DO NOT use this fire pit under an overhead or near any unprotected combustible constructions. Avoid using near or under overhanging trees and shrubs.
19. Always use this fire pit on a hard level non-combustible surface such as concrete, rock or stone. An asphalt or blacktop surface may not be acceptable for this purpose. DO NOT use on wooden decks.
20. Always empty this fire pit before each use.
21. DO NOT wear flammable or loose clothing when operating this fire pit.

22. DO NOT use in windy conditions.
23. DO NOT use this fire pit unless spark guards are securely in place.
24. DO NOT use gasoline, kerosene, diesel fuel, lighter fluid or use these items to relight fires.
25. Keep all electrical cords away from a hot fire pit.
26. All surfaces of this fire pit are hot when in operation. To avoid burns, do NOT touch the fire pit until it has completely cooled, unless you are wearing protective gear (i.e. pot holders, gloves, BBQ mittens, hot pads, etc.) Never touch ashes or coals to see if they are hot.
27. DO NOT leave a lit fire pit unattended, especially around children and pets.
28. DO NOT attempt to move or store this fire pit until all of the ashes and coals are completely extinguished.
29. DO NOT remove ashes or coals until they are completely extinguished.
30. Use heat-resistant gloves or hot pads when contacting handles.
31. Use long, sturdy fire pit tools when adding or moving logs.
32. DO NOT place wood directly onto the bottom of the fire pit. Place wood only on the log grid.
33. DO NOT overload the fire pit. DO NOT add additional firewood until the fire burns down.
NOTICE: If any portion of the bowl lid or spark guard of this fire pit glows red, this indicates that the fire pit is overloaded.
34. DO NOT lean over this fire pit when lighting or when in use.
35. DO NOT place a hot spark guard or hot fire pit tools onto combustible surfaces such as grass, wooden decks or furniture.
36. Avoid breathing smoke from the fire and avoid getting it into your eyes.
37. This fire pit should be thoroughly inspected and cleaned on a regular basis.
38. After a period of storage and/or non-use, check for signs of damage and creosote buildup. DO NOT operate until all necessary repairs and/or proper cleaning procedures have been successfully executed.
39. Death, serious injury or damage to property may occur if any of the above precautions are not followed exactly.

Know Your Fire Pit

Read the owner's manual and safety rules carefully before using your fire pit. Compare the illustration below to the actual unit in order to familiarize yourself with the location of the various parts and hardware. Save this manual for future reference.

- 1. Screen hook
- 2. Screen
- 3. Log grid
- 4. Fire bowl
- 5. Cast stone base



Technical Data

Fire Bowl Diameter	29 in. (73.8 cm)	Log Grid Dimensions	16.5 in. x 0.3 in. (42.0 cm x 0.8 cm)
Fire Bowl Depth	7.0 in. (18.0 cm)	Temperature Resistance	1,122 °F (600 °C)
Protective Screen Dimensions	25.9 in. x 5.9 in. (66 cm x 15 cm)	Weight	57.1 lbs (26 kg)
Screen Hook Dimensions	24 in. (61 cm)		

Unpacking

NOTE: Before beginning assembly, make sure that all of the parts and hardware listed below are present. If any part is missing or damaged, do not attempt to assemble the product. Contact the Snow Joe® + Sun Joe® customer service department at 1-866-SNOWJOE (1-866-766-9563).

Parts

- 1. Screen hook
- 2. Screen
- 3. Log grid
- 4. Fire bowl
- 5. Cast stone base

Hardware

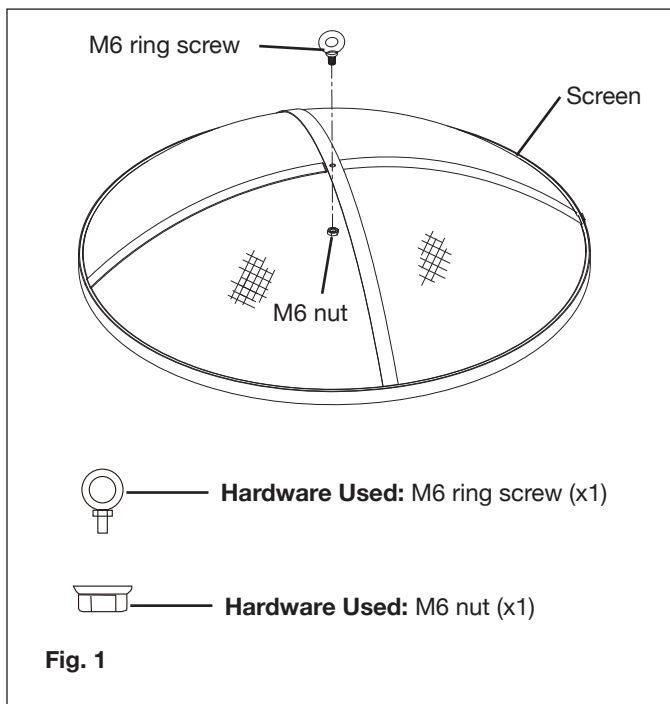
- 6. M6 ring screw
- 7. M6 nut

Assembling the Fire Pit

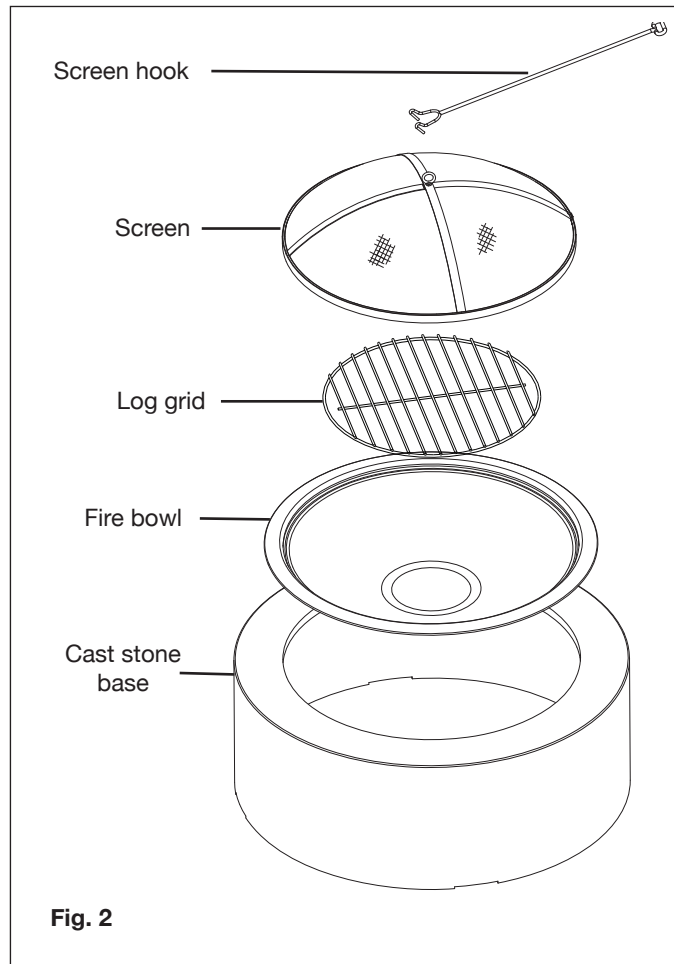
No Tools Required

Choose a soft and level location for assembly. Remove all parts from the packaging, and check for missing parts.

1. Attach the M6 ring screw to the screen using the M6 nut (Fig. 1).



2. Place all parts on the cast stone base (Fig. 2).



Care and Maintenance

Lighting

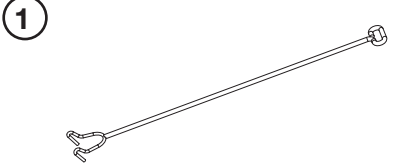
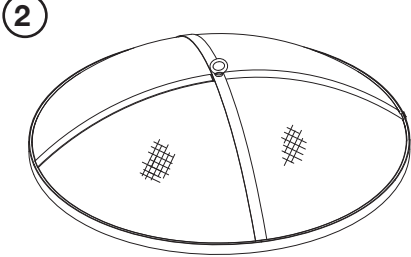
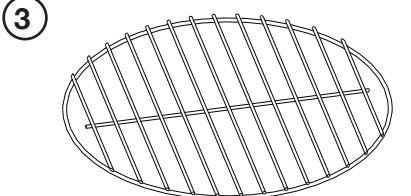
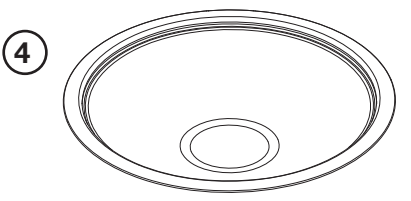
1. Make sure there is only a small amount of ash in the bottom of the bowl.
2. Place a layer of dry kindling or a natural fire-starter onto the center of the log grid.
3. Above the kindling or fire-starter, place a layer of dry seasoned hardwood that is cut to lengths that are no more than 3/4 the diameter of the bowl.
4. Use a match to light the kindling or fire-starter.
5. Using the hook that is provided and heat-resistant gloves, replace the spark guard once the kindling or fire-starter is lit.

Tending the Fire

You may need to shift and/or add logs for an ideal fire pit experience. DO NOT place a hot mesh screen cover or hot fire pit tools onto combustible surfaces such as grass, wooden decks or furniture.

Accessories

⚠️WARNING! ALWAYS use only authorized Snow Joe® + Sun Joe® replacement parts and accessories. NEVER use replacement parts or accessories that are not intended for use with this fire pit. Contact Snow Joe® + Sun Joe® if you are unsure whether it is safe to use a particular replacement part or accessory with your fire pit. The use of any other attachment or accessory can be dangerous and could cause injury or mechanical damage.

Accessories	Item	Model
	Screen hook	SJFP35-STN-E
	Screen	SJFP35-STN-D
	Log grid	SJFP35-STN-C
	Fire bowl	SJFP35-STN-B

NOTE: Accessories are subject to change without any obligation on the part of Snow Joe® + Sun Joe®. Accessories can be ordered online at snowjoe.com or via phone by contacting the Snow Joe® + Sun Joe® customer service center at 1-866-SNOWJOE (1-866-766-9563).



SNOW JOE® + SUN JOE® CUSTOMER PROMISE

ABOVE ALL ELSE, Snow Joe® + Sun Joe® are dedicated to you, our customer. We strive to make your experience as pleasant as possible. Unfortunately, there are times when a product does not work or breaks under normal operating conditions. We think it’s important that you know what you can expect from us. That’s why we created the Snow Joe® + Sun Joe® promise.

OUR PROMISE: Snow Joe® + Sun Joe® warrant new products for two years from the date of purchase. If your product does not work, or there’s an issue with a specific part, we will fix this by either sending you a free replacement part or by sending you a new or comparable product at no charge. How cool is that! Before you know it, you’ll be back in action cutting, sawing, mowing, washing and...?

GENERAL CONDITIONS:

Snow Joe® + Sun Joe® operating under Snow Joe®, LLC warrants this new product to the original purchaser for two years against defects in material or workmanship when used for normal residential purposes. If a replacement part or product is needed, it will be sent free of charge to the original purchaser except as noted below.

The duration of this warranty applies only if the product is put to personal use around the household. If the product is put to any business, commercial or industrial use or is rented or leased, then the duration of this warranty is 90 days from the date of original purchase. It is the owner’s responsibility to correctly perform all maintenance and minor adjustments explained in the owner’s manual.

HOW TO OBTAIN YOUR REPLACEMENT PART OR PRODUCT:

To obtain a replacement part or product, please visit snowjoe.com/help or email us at help@snowjoe.com for instructions. Please be sure to register your unit beforehand to speed up this process. Certain products may require a serial number, typically found on the decal affixed to the housing or guard of your product. All products require a valid proof of purchase.

EXCLUSIONS:

- Wearing parts like belts, augers, chains and tines are not covered under this warranty. Wearing parts can be purchased at snowjoe.com or by calling 1-866-SNOWJOE (1-866-766-9563).
- Batteries are covered in full for 90-days from the date of purchase.

Snow Joe® + Sun Joe® may from time to time change the design of its products. Nothing contained in this warranty shall be construed as obligating Snow Joe® + Sun Joe® to incorporate such design changes into previously manufactured products, nor shall such changes be construed as an admission that previous designs were defective.

This warranty is intended to cover product defects only. Snow Joe®, LLC is not liable for indirect, incidental or consequential damages in connection with the use or misuse of the Snow Joe® + Sun Joe® products covered by this warranty. This warranty does not cover any cost or expense incurred by the purchaser in providing substitute equipment or service during reasonable periods of malfunction or non-use of this product while waiting for a replacement part or unit under this warranty. Some states do not allow exclusions of incidental or consequential damages so the above exclusions may not apply in all states. This warranty may give you specific legal rights in your state.

HOW TO REACH US:

We’re here to help Monday through Friday from 9AM to 6PM EST. You can reach us at 1-866-SNOWJOE (1-866-766-9563), online at snowjoe.com, via email at help@snowjoe.com or tweet us @snowjoe.

EXPORTS:

Customers who have purchased Snow Joe® + Sun Joe® products exported from the United States and Canada should contact their Snow Joe® + Sun Joe® distributor (dealer) to obtain information applicable to your country, province or state. If for any reason, you are not satisfied with the distributor’s service, or if you have difficulty obtaining warranty information, contact your Snow Joe® + Sun Joe® seller. If in the event your efforts are unsatisfactory, please reach out to us directly.



snowjoe.com