

# 30" Over-the-Range Microwave

300 Series - White HMV3022U



**HMV3022U**  
White

Also available in:

Black HMV3062U  
Stainless Steel HMV3052U

**The precisely designed OTR microwave is a perfect match for the Bosch slide-in range or cooktop.**

## Features & Benefits

A large cooking interior gives you flexibility to cook various dishes.

The OTR microwave is designed to install with a Bosch slide-in range or cooktop.

A multi-speed vent efficiently removes steam, smoke, grease and odors - 300 CFM.

Automatic defrost determines power level and cooking time.

## General Properties

|                            |              |
|----------------------------|--------------|
| Cavity color               | White        |
| Max. microwave power (W)   | 1,000 W      |
| Max. extraction rate (CFM) | 300 CFM      |
| Ducted                     | Yes          |
| Ductless                   | Yes          |
| Duct size                  | 3 1/4" x 10" |

## Capacity

|                           |             |
|---------------------------|-------------|
| Cavity capacity (cu. ft.) | 1.6 cu. ft. |
| Turntable diameter (in.)  | 13 5/8"     |

## Technical Details

|                        |              |
|------------------------|--------------|
| Watts (W)              | 1,550 W      |
| Circuit breaker (A)    | 15 A         |
| Volts (V)              | 120 V        |
| Frequency (Hz)         | 60 Hz        |
| Power cord length (in) | 39"          |
| Plug type              | 120V-3 prong |

## Dimensions & Weight

|   |   |
|---|---|
| Overall appliance dimensions (HxWxD) (in) | 16 1/2" x 29 7/8" x 15 3/8"               |
| Required cutout size (HxWxD) (in)         | 16 1/2" Min x 30" x 12" Min - 12 7/8" Max |
| Net weight (lbs)                          | 54 lbs                                    |



For help and assistance with Bosch accessories please visit: [www.bosch-eshop.com/eshop/bosch/us](http://www.bosch-eshop.com/eshop/bosch/us) or call 1-800-944-2904 Mon-Fri 5am to 6pm PST Sat 6am to 3pm PST

Notes: All height, width and depth dimensions are shown in inches. Please refer to installation instructions prior to making cutout. BSH reserves the absolute and unrestricted right to change product materials and specifications, at any time, without notice. Consult the product's installation instructions for final dimensional data and other details. Applicable product warranty can be found in accompanying product literature or you may contact your account manager for further details.

Warranties: Bosch warrants that the Product is free from defects in materials and workmanship for a period of three hundred and sixty-five (365) days from the date of purchase. The foregoing timeline begins to run upon the date of purchase, and shall not be stalled, tolled, extended, or suspended, for any reason whatsoever. This Product is also warranted to be free from cosmetic defects in material and workmanship (such as scratches of stainless steel, paint/porcelain blemishes, chip, dents, or other damage to the finish of the Product, for a period of thirty (30) days from the date of purchase or closing date for new construction. This cosmetic warranty excludes slight color variations due to inherent differences in painted and porcelain parts, as well as differences caused by kitchen lighting, product location, or other similar factors. This cosmetic warranty specifically excludes any display, floor, "As Is", or "B" stock appliances.

For more information on our entire line of products, go to [www.bosch-home.com/us](http://www.bosch-home.com/us) or call 1-800-944-2904

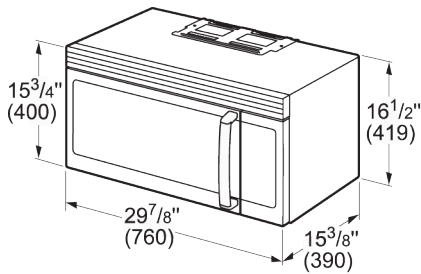
© BSH Home Appliances Corporation. All rights reserved. Bosch is a registered trademark of Robert Bosch GmbH.

# 30" Over-the-Range Microwave

300 Series - White HMV3022U

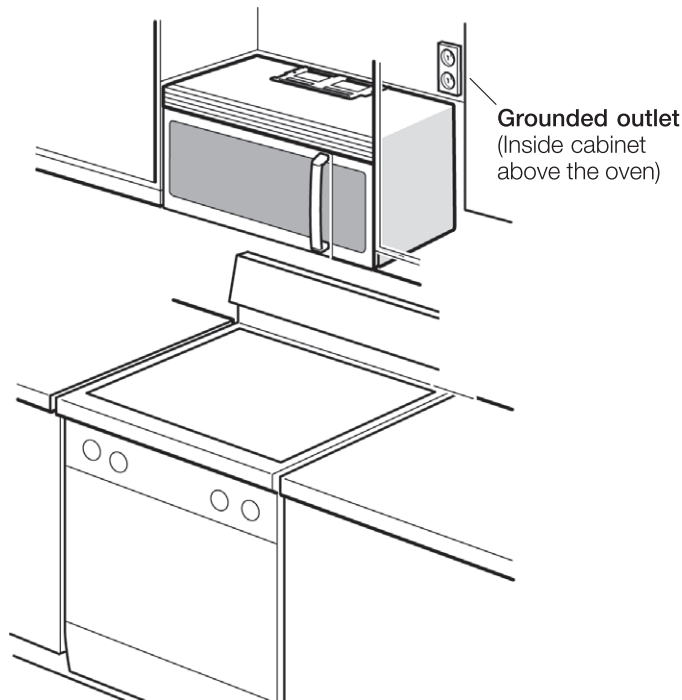


## Installation Details

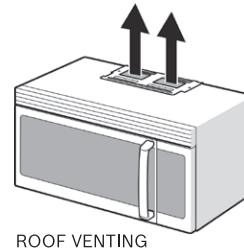


Measurements in inches  
(mm) in brackets

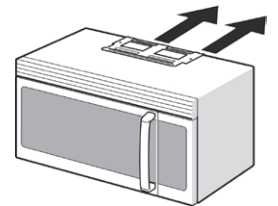
### Electrical Connection



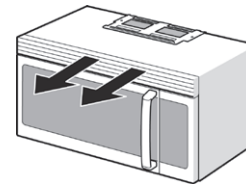
### Venting Options



ROOF VENTING

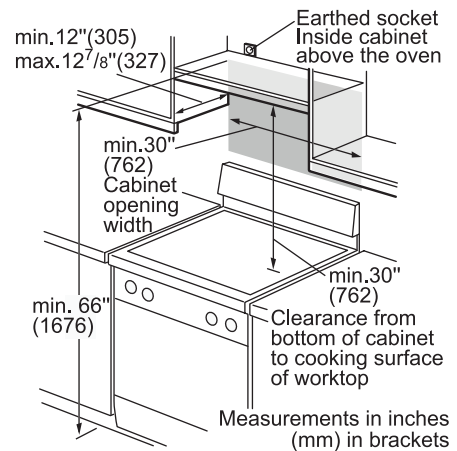


WALL VENTING



ROOM VENTING

### Clearance Above Cooktop



Measurements in inches  
(mm) in brackets

For help and assistance with Bosch accessories please visit: [www.bosch-eshop.com/eshop/bosch/us](http://www.bosch-eshop.com/eshop/bosch/us) or call 1-800-944-2904 Mon-Fri 5am to 6pm PST Sat 6am to 3pm PST

Notes: All height, width and depth dimensions are shown in inches. Please refer to installation instructions prior to making cutout. BSH reserves the absolute and unrestricted right to change product materials and specifications, at any time, without notice. Consult the product's installation instructions for final dimensional data and other details. Applicable product warranty can be found in accompanying product literature or you may contact your account manager for further details.

Warranties: Bosch warrants that the Product is free from defects in materials and workmanship for a period of three hundred and sixty-five (365) days from the date of purchase. The foregoing timeline begins to run upon the date of purchase, and shall not be stalled, tolled, extended, or suspended, for any reason whatsoever. This Product is also warranted to be free from cosmetic defects in material and workmanship (such as scratches of stainless steel, paint/porcelain blemishes, chip, dents, or other damage to the finish of the Product, for a period of thirty (30) days from the date of purchase or closing date for new construction. This cosmetic warranty excludes slight color variations due to inherent differences in painted and porcelain parts, as well as differences caused by kitchen lighting, product location, or other similar factors. This cosmetic warranty specifically excludes any display, floor, "As Is", or "B" stock appliances.

For more information on our entire line of products, go to [www.bosch-home.com/us](http://www.bosch-home.com/us) or call 1-800-944-2904

© BSH Home Appliances Corporation. All rights reserved. Bosch is a registered trademark of Robert Bosch GmbH.