

Use & Care / Installation Manual
Manual de Uso y Cuidado / Instalación
English / Español

Models/Modelos 233.5992*, 5993*

Kenmore®

Range Hood

Campana de cocina

* = color number, número de color

P/N 99528329E

Sears Brands Management Corporation,
Hoffman Estates, IL 60179 USA

www.kenmore.com
www.sears.com



READ AND SAVE THESE INSTRUCTIONS

TABLE OF CONTENTS

SECTION.....	PAGE
Safety Instructions	2
Warranty	3
Operation	3
Cleaning.....	4
Parts Included With Hood.....	4
Parts Not Included With Hood.....	4
Tools Needed	4

SECTION	PAGE
Equivalent Duct Length Chart.....	5
Prepare The Hood Location	6
Prepare The Hood.....	7, 8
Connect The Wiring	9
Install The Hood.....	9, 10, 11, 12
Service Parts.....	12

SAFETY INSTRUCTIONS

⚠ FOR DOMESTIC COOKING ONLY ⚠

WARNING ⚡ ⚠

TO REDUCE THE RISK OF FIRE, ELECTRIC SHOCK, OR INJURY TO PERSON(S) OBSERVE THE FOLLOWING:

1. Use this unit only in the manner intended by the manufacturer. If you have questions, contact the manufacturer at the address or telephone number listed in the warranty.
2. Before servicing or cleaning unit, switch power off at service panel and lock service disconnecting means to prevent power from being switched on accidentally. When the service disconnecting means cannot be locked, securely fasten a prominent warning device, such as a tag, to the service panel.
3. Installation work and electrical wiring must be done by qualified personnel in accordance with all applicable codes and standards, including fire-rated construction codes and standards.
4. Sufficient air is needed for proper combustion and exhausting of gases through the flue (chimney) of fuel burning equipment to prevent backdrafting. Follow the heating equipment manufacturer's guidelines and safety standards such as those published by the National Fire Protection Association (NFPA), the American Society for Heating, Refrigeration and Air Conditioning Engineers (ASHRAE) and the local code authorities.
5. This product may have sharp edges. Be careful to avoid cuts and abrasions during installation and cleaning.
6. When cutting or drilling into wall or ceiling, do not damage electrical wiring and other hidden utilities.
7. Ducted fans must always be vented to the outdoors.
8. Use only metal ductwork.
9. Do not use this unit with any other solid-state speed control device.
10. This unit must be grounded.

TO REDUCE THE RISK OF A RANGE TOP GREASE FIRE:

1. Never leave surface units unattended at high settings. Boilovers cause smoking and greasy spillovers that may ignite. Heat oils slowly on low or medium settings.
2. Always turn hood ON when cooking at high heat or when cooking flaming foods (i.e. Crêpes Suzette, Cherries Jubilee, Peppercorn Beef Flambé).
3. Clean ventilating fans frequently. Grease should not be allowed to accumulate on fan or filters.
4. Use proper pan size. Always use cookware appropriate for the size of the surface element.

TO REDUCE THE RISK OF INJURY TO PERSON(S) IN THE EVENT OF A RANGE TOP GREASE FIRE, OBSERVE THE FOLLOWING*:

1. SMOTHER FLAMES with a close-fitting lid, cookie sheet, or metal tray, then turn off the burner. BE CAREFUL TO PREVENT BURNS. IF THE FLAMES DO NOT GO OUT IMMEDIATELY, EVACUATE AND CALL THE FIRE DEPARTMENT.
 2. NEVER PICK UP A FLAMING PAN – You may be burned.
 3. DO NOT USE WATER, including wet dishcloths or towels – This could cause a violent steam explosion.
 4. Use an extinguisher ONLY if:
 - A. You know you have a Class ABC extinguisher and you know how to operate it.
 - B. The fire is small and contained in the area where it started.
 - C. The fire department has been called.
 - D. You can fight the fire with your back to an exit.
- * Based on "Kitchen Fire Safety Tips" published by NFPA.

CAUTION ⚠

1. For indoor use only.
2. For general ventilating use only. Do not use to exhaust hazardous or explosive materials and vapors.
3. To avoid motor bearing damage and noisy and/or unbalanced impeller, keep drywall spray, construction dust, etc. off power unit.
4. Do not use over cooking equipment greater than 60,000 BTU/hr. as the blower motor will shut down intermittently.
5. Your hood motor has a thermal overload which will automatically shut off the motor if it becomes overheated. The motor will restart when it cools down. If the motor continues to shut off and restart, have the hood serviced.
6. The bottom of the hood MUST NOT BE LESS than 24" and at a maximum of 30" above cooktop for best capture of cooking impurities.
7. Two installers are recommended because of the size of this hood.
8. To reduce risk of fire and to properly exhaust air, be sure to duct air outside. Do not exhaust air into spaces within walls or ceilings or into attics, crawl spaces, or garages.
9. Be careful when installing the decorative flue and hood, they may have sharp edges.
10. Please read specification label on product for further information and requirements.

INSTALLER: Leave this guide with the homeowner.

HOMEOWNER: Operation and maintenance information on page 2.

KENMORE LIMITED WARRANTY

When this appliance is installed, operated and maintained according to all supplied instructions, the following warranty coverage applies. To arrange for warranty service, call 1-800-4-MY-HOME® (1-800-469-4663).

• **For one year from the date of purchase**, any part of this product that fails due to a defect in material or workmanship will receive free repair or replacement if repair proves impossible. The length of this coverage does not apply to the finish of any painted or bright metal part.

• **For thirty days date of purchase**, any painted or bright metal part of this product will be replaced free of charge if its finish is defective in material or workmanship.

All warranty coverage is void if this product is ever used for other than private household purposes.

This warranty covers only defects in material and workmanship, and will NOT pay for:

1. Consumable parts that can wear out from normal use, including but not limited to filters, belts, light bulbs, and bags.
2. A service technician to instruct the user in correct product installation, operation or maintenance.
3. A service technician to clean or maintain this product.
4. Damage to or failure of this product if it is not installed, operated or maintained according to the all instructions supplied with the product.
5. Damage to or failure of this product resulting from accident, abuse, misuse or use for other than its intended purpose.
6. Damage to or failure of this product caused by the use of detergents, cleaners, chemicals or utensils other than those recommended in all instructions supplied with the product.
7. Damage to or failure of parts or systems resulting from unauthorized modifications made to this product.

Disclaimer of implied warranties; limitation of remedies

Customer's sole and exclusive remedy under this limited warranty shall be product repair as provided herein. Implied warranties, including warranties of merchantability or fitness for a particular purpose, are limited to one year or the shortest period allowed by law. Sears shall not be liable for incidental or consequential damages. Some states and provinces do not allow the exclusion or limitation of incidental or consequential damages, or limitation on the duration of implied warranties of merchantability or fitness, so these exclusions or limitations may not apply to you.

This warranty gives you specific legal rights, and you may also have other rights which vary from state to state.

**Sears Brands Management Corporation,
Hoffman Estates, IL 60179**

OPERATION

CONTROLS



This hood is operated using (5) pushbuttons on the front of the hood canopy.

The fan OFF pushbutton turns the fan off.

The fan low, medium and high speed pushbuttons turn the fan on to three different speed settings.

The light pushbutton turns the lights on and off.

LIGHT BULBS

CAUTION ⚠️ **Bulbs may be hot. Always allow bulbs to cool down before removing them.**

This range hood requires two incandescent bulbs (Type B10, 120V, 40W Max, candelabra).

To install or change bulbs:

1. Remove grease filter by pushing in the metal latch and tilting filter down.
2. If non-duct filter is installed, remove filter by turning filter mounting tabs.
3. Remove and discard bulb. Replace with new bulb.
4. Re-install non-duct filter (if applicable).
5. Re-install grease filter.

Safety

Warranty

Operation

Cleaning

Installation

Service Parts

CLEANING

Proper maintenance of the Range Hood will assure proper performance of the unit.

MOTOR

The motor is permanently lubricated and never needs oiling. If the motor bearings make excessive or unusual noise, replace the motor with the exact service motor. The impeller should also be replaced.

GREASE FILTER

The grease filter should be cleaned frequently. Use a warm dishwashing detergent solution. Grease filter is dishwasher safe. Clean all-metal filters in the dishwasher using a non-phosphate detergent. Discoloration of the filter may occur if using phosphate detergents, or as a result of local water conditions - but this will not affect filter performance. This discoloration is not covered by the warranty.

Remove grease filter by pushing in on the metal latch tab. This will disengage the filter from the hood. Tilt the filter downward and remove.

NON-DUCTED RECIRCULATION FILTER

The non-ducted recirculation filter should be changed every 6 months. Replace more often if your cooking style generates extra grease, such as frying and wok cooking. Turn the filter mounting tabs to remove filter and replace.

STAINLESS STEEL CLEANING

DO:

- Regularly wash with clean cloth or rag soaked with warm water and mild soap or liquid dish detergent.
- Always clean in the direction of original polish lines.
- Always rinse well with clear water (2 or 3 times) after cleaning. Wipe dry completely.
- You may also use a specialized household stainless steel cleaner.

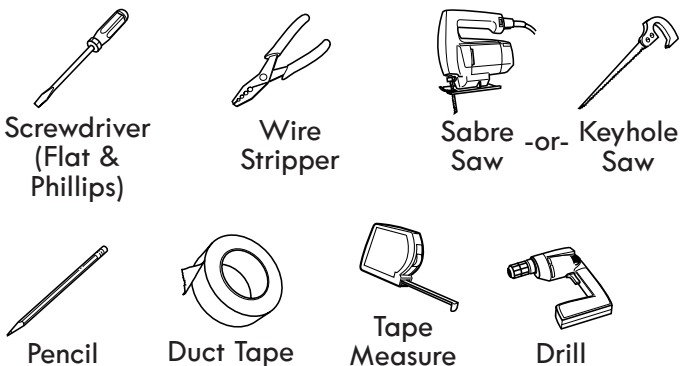
DON'T:

- Use any steel or stainless steel wool or any other scrapers to remove stubborn dirt.
- Use any harsh or abrasive cleansers.
- Allow dirt to accumulate.
- Let plaster dust or any other construction residues reach the hood. During construction/renovation, cover the range hood to make sure no dust sticks to the stainless steel surface.

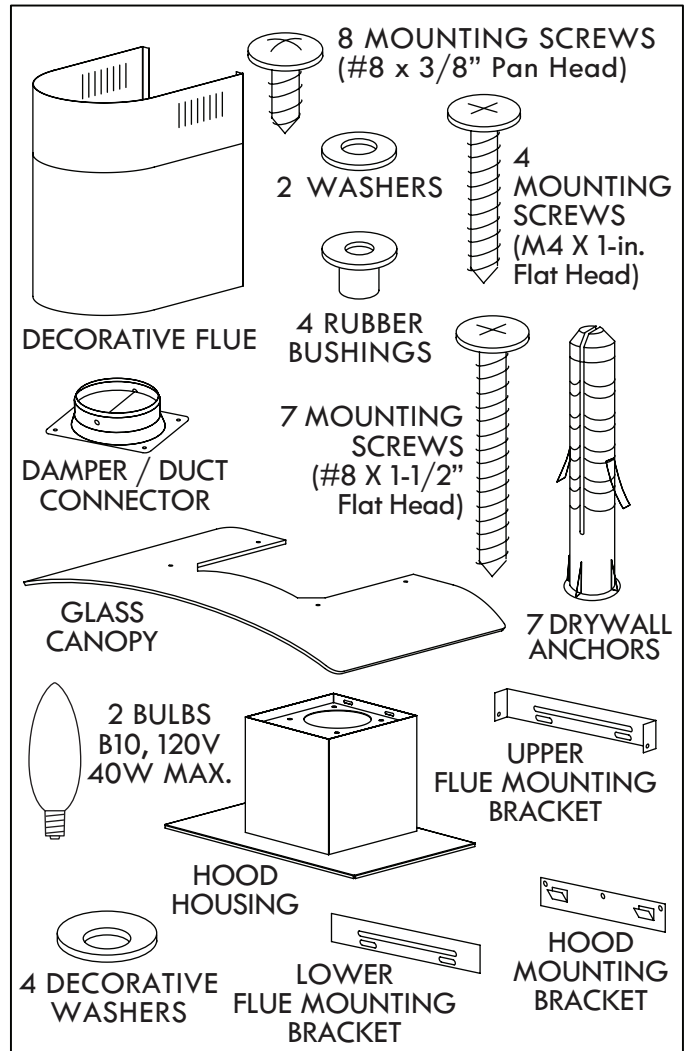
Avoid: When choosing a detergent

- Any cleaners that contain bleach will attack stainless steel
- Any products containing: chloride, fluoride, iodide, bromide will deteriorate surfaces rapidly.
- Any combustible products used for cleaning such as acetone, alcohol, ether, benzol, etc., are highly explosive and should never be used close to a range.

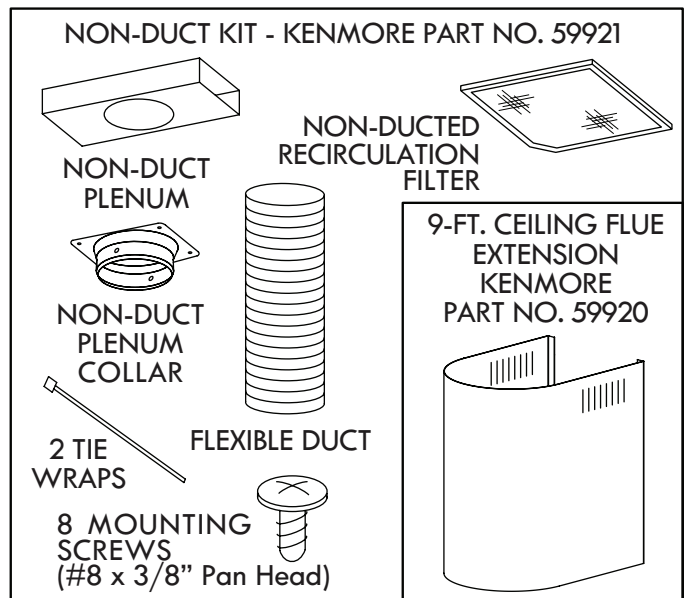
TOOLS NEEDED FOR INSTALLATION



PARTS INCLUDED WITH HOOD



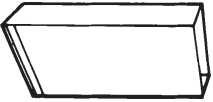





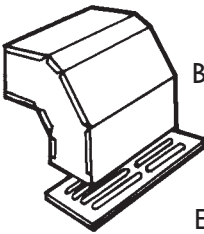
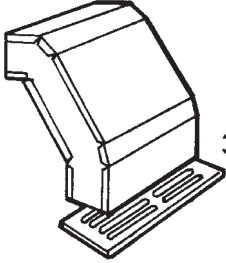
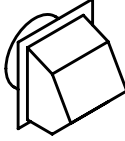
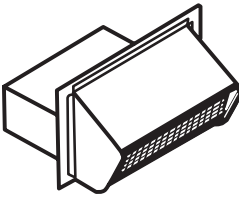
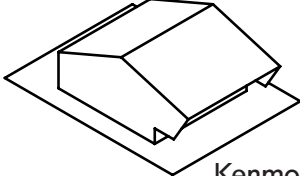
PARTS NOT INCLUDED WITH HOOD*



* Parts Not Included With Hood" are available by calling 1-800-4-MY-HOME®

EQUIVALENT DUCT LENGTH CHART

Kenmore range hoods are designed to perform efficiently when attached to long runs of duct. As a point of reference, this hood will function at approximately 80% of its rated air flow when 150 equivalent feet of 6" round ductwork is attached. Use this chart to calculate the equivalent duct length of your system.

 <p>Broan Model 401 Straight Duct 3 1/4-in. x 10-in. x 2-ft. long Equivalent length 2 ft.</p>  <p>Broan Model 406 Straight Duct 6-in. round x 2-ft. long Equivalent length 2 ft.</p>  <p>Broan Model 419 6-in. Round Elbow Equivalent length 8 ft.</p>  <p>Kenmore Model 59581 3 1/4-in. x 10-in. to 6-in. Round Transition Equivalent length 5.5 ft.</p>	 <p>Broan Model 428 3 1/4-in. x 10-in. Right-angle Elbow Equivalent length 8.5 ft.</p>  <p>Broan Model 429 3 1/4-in. x 10-in. Right-angle Flat Elbow Equivalent length 24 ft.</p>  <p>Broan Model 430 3 1/4-in. x 10-in. Right-angle Short Eave Elbow Equivalent length 15 ft.</p>  <p>Broan Model 431 3 1/4-in. x 10-in. Right-angle Long Eave Elbow Equivalent length 15 ft.</p>	 <p>Kenmore Model 59691 6-in. Round Wall Cap Equivalent length 34 ft. (6-ft. w/o damper)</p>  <p>Kenmore Model 59391 3 1/4-in. x 10-in. Wall Cap Equivalent length 45 ft. (7-ft. w/o damper)</p>  <p>Kenmore Model 59091 Roof Cap (accepts 7-in. round or 3 1/4-in. x 10-in. duct) Equivalent length 30 ft. (7-ft. w/o damper)</p>
--	---	---

Kenmore Model Ducting Accessories are available by calling
1-800-4-MY-HOME®
Broan Model Ducting Accessories are available by calling
1-800-558-1711.

Safety

Warranty

Operation

Cleaning

Installation

Service Parts

INSTALL THE DUCTWORK

WARNING

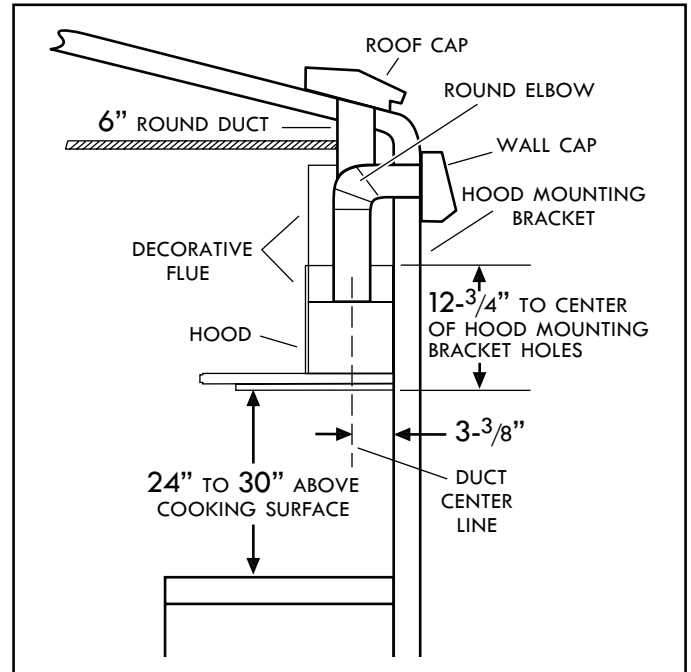
To reduce the risk of fire, use only metal ductwork.

1. Decide where the ductwork will run between the hood and the outside.
2. A straight, short duct run will allow the hood to perform most efficiently.
3. Long duct runs, elbows and transitions will reduce the performance of the hood. Use as few of them as possible. Larger ducting may be required for best performance with longer duct runs.
4. Install a wall cap or roof cap. Connect round metal ductwork to cap and work back towards the hood location. Use duct tape to seal the joints between ductwork sections.

The minimum hood distance above cooktop **MUST NOT BE LESS** than 24".

A maximum of 30" above cooktop is highly recommended for best capture of cooking impurities.

Distances over 30" are at the installer and users discretion; providing that the ceiling height permits.

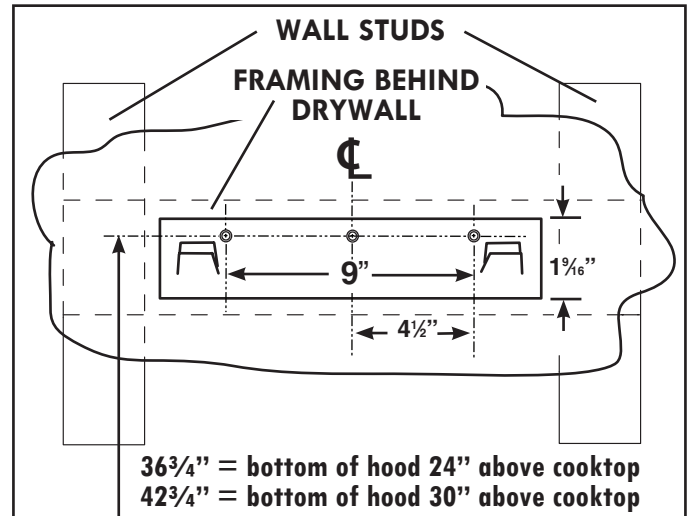


INSTALL MOUNTING BRACKET

1. Construct wood wall framing that is flush with interior surface of wall studs.
Make sure:
 - a) the framing is centered over installation location.
 - b) the height of the framing will allow the mounting bracket to be secured to the framing within the dimensions shown.

2. After wall surface is finished, carefully center and level the hood mounting bracket and secure it to wall framing with (3) #8 x 1-1/2" mounting screws. Tighten the screws completely.

Note: Do not use drywall anchors.



**MOUNTING BRACKET LOCATION
(ABOVE 36" HIGH COOKTOP)**

CEILING HEIGHT	DUCT METHOD	HOOD DISTANCE ABOVE 36" COOK TOP (SEE NOTE 1)						
		24"	25"	26"	27"	28"	29"	30"
MOUNTING BRACKET LOCATION ABOVE 36" HIGH COOK TOP								
8 FEET	DUCTED OR NONDUCTED	36-3/4"	37-3/4"	38-3/4"	39-3/4"	40-3/4"	41-3/4"	42-3/4"
9 FEET	DUCTED OR NONDUCTED	36-3/4" *	37-3/4" *	38-3/4" *	39-3/4" *	40-3/4" *	41-3/4" *	42-3/4" *

* WITH OPTIONAL FLUE EXTENSION - PART NUMBER 59920.

NOTES:

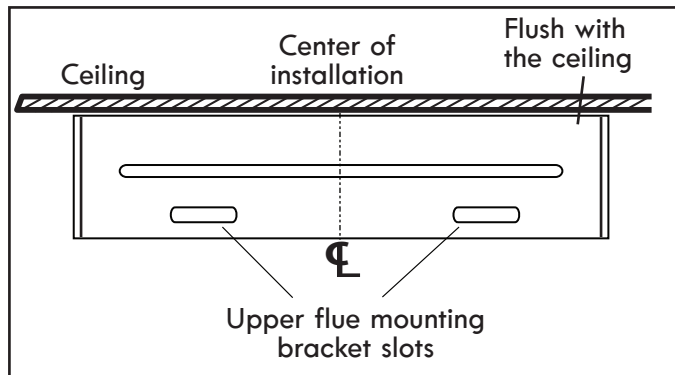
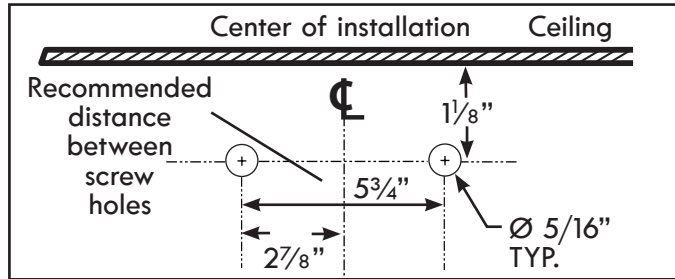
Minimum hood distance above cooktop must not be less than 24".

A maximum of 30" above the cooktop is highly recommended for best capture of cooking impurities.

Distances over 30" above the cooktop are at the installer's and user's discretion - providing that ceiling height and flue length permit.

INSTALL UPPER FLUE MOUNTING BRACKET

1. If a framing member is not present, drill two $\frac{5}{16}$ " diameter holes where shown. Insert dry-wall anchors into the holes.
2. Center the bracket over the hood location and flush with the ceiling. Make sure that the slots of the upper flue bracket are at the bottom. Secure the upper flue bracket to the wall using (2) #8 x $1\frac{1}{2}$ " mounting screws.
3. Tighten the screws completely. Make sure that the bracket is tight against the wall.



Safety

Warranty

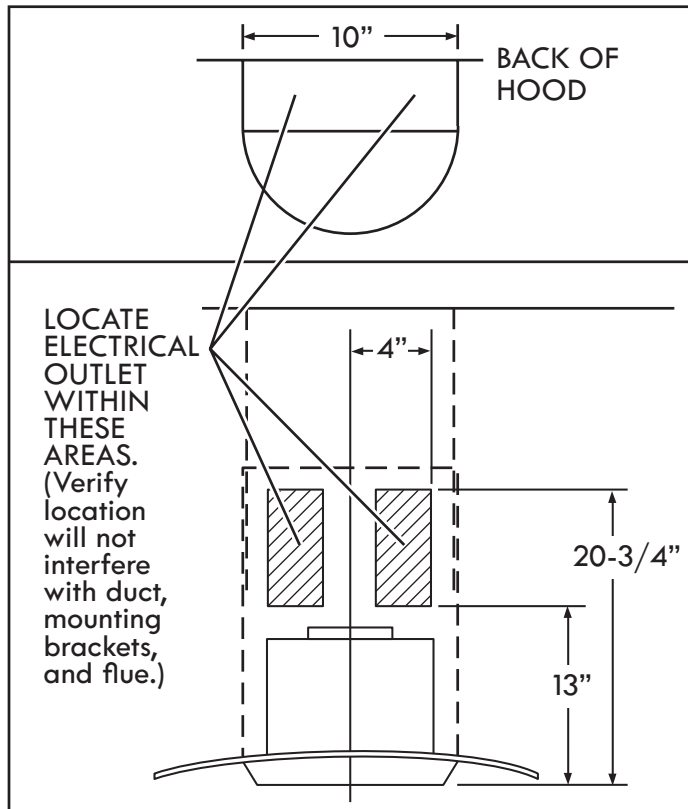
Operation

INSTALL THE WIRING

1. GROUNDING INSTRUCTIONS

This appliance must be grounded. In the event of an electrical short circuit, grounding reduces the risk of electric shock by providing an escape wire for the electric current. This appliance is equipped with a cord having a grounding wire with a grounding plug. The plug must be plugged into an outlet that is properly installed and grounded.

2. Position the electrical outlet within the space covered by the decorative flue and where it will not interfere with the round duct. Make sure the outlet does not interfere with the mounting bracket fastening area, ductwork, or where the decorative flue touches the wall.



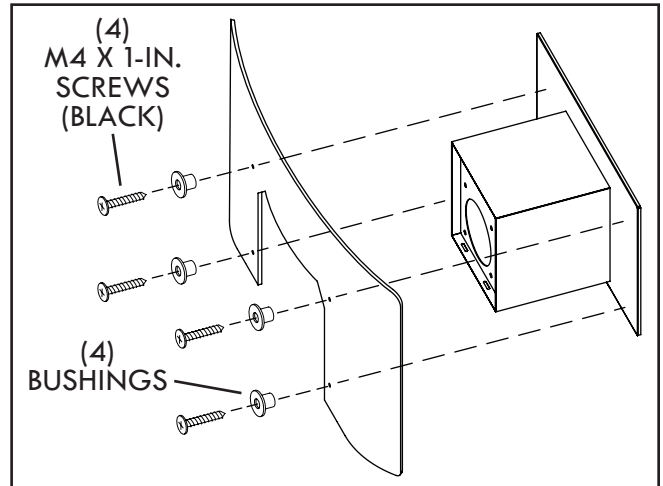
Cleaning

Installation

Service Parts

INSTALL CURVED GLASS PLATE

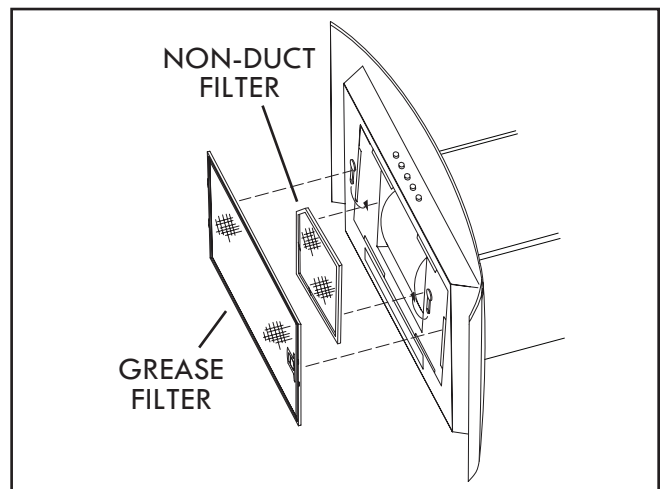
1. Place range hood body on its back, with controls facing up. Place cardboard under hood to protect countertop or table finish.
2. Position the curved plate glass over the range hood body as shown.
3. Install rubber bushings into all (4) holes of the glass.
4. Place a plastic decorative washer onto (4) M4 x 1-in. flathead mounting screw.
5. Align holes in glass with holes in the range hood body. Install and fasten (4) black, flat-head screws with decorative washers through rubber bushings and into the range hood body.
6. Hand-tighten screws, but do not overtighten.



INSTALL BULBS

1. Remove the grease filter by pushing in the metal latch tab. Pull filter out to remove.
2. Install (2) Type B10, 40-Watt maximum, incandescent candelabra bulbs (included).

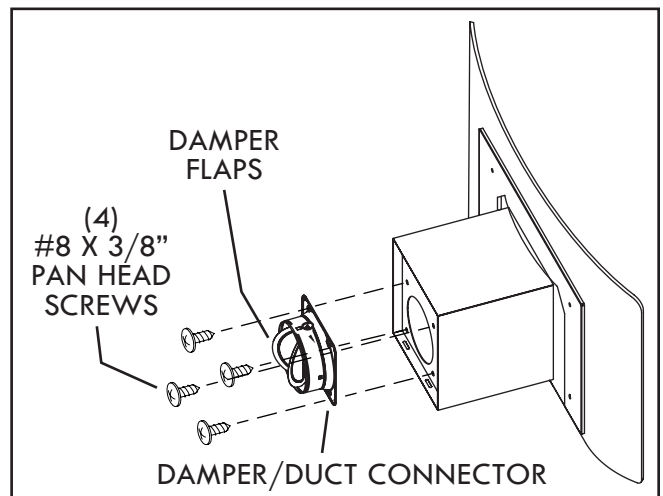
Note: When replacing bulbs, remove the non-ducted filter (if installed) to ease lamp installation.



INSTALL DUCT CONNECTOR

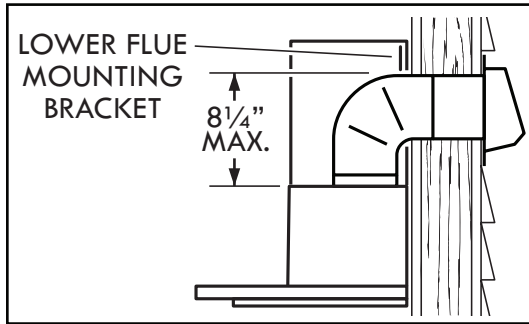
1. Install damper/duct connector to top of hood using (4) #8 x 3/8" pan head mounting screws.

Note: Damper flaps must be removed and discarded for non-ducted installations.

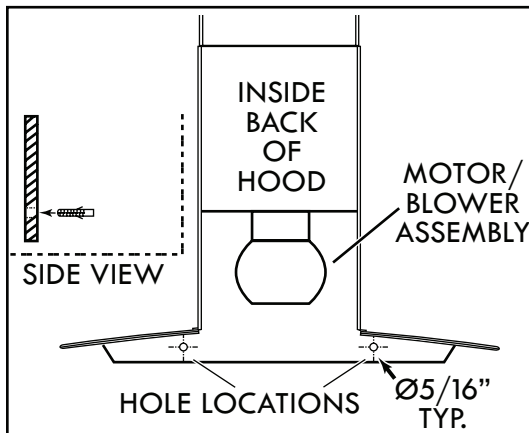


INSTALL THE HOOD (HORIZONTALLY DUCTED HOODS ONLY)

1. DO NOT REMOVE the protective plastic film covering the decorative flues at this time.

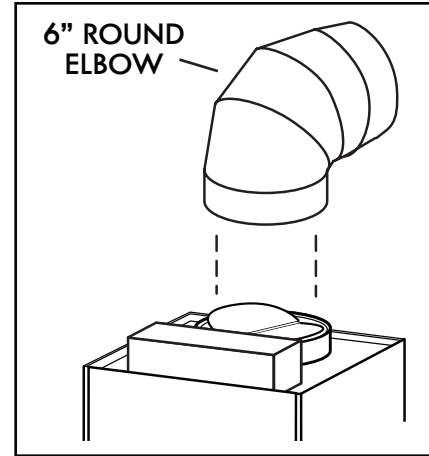


2. Make sure there will be adequate clearance between top of hood and lower flue mounting bracket for ductwork. Elbow must be located below lower flue mounting bracket.
3. Align the hood and center it above the hood mounting bracket. Gently lower the hood until it securely engages the bracket.

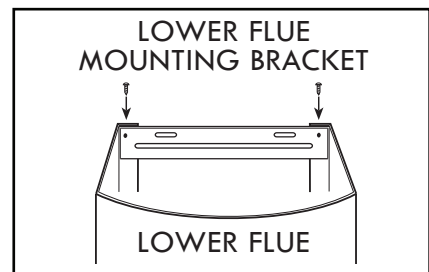


4. If a framing member is not present: With the hood hanging in place, drill through both holes located in the inside lower back of hood using a 5/16" drill bit. Insert the included drywall anchors into the drilled holes (one for each hole).
5. Install (2) washers and (2) #8 x 1 1/2" mounting screws through the back of the hood and into the drywall anchors. Verify that the hood is centered and leveled. Tighten all screws completely.

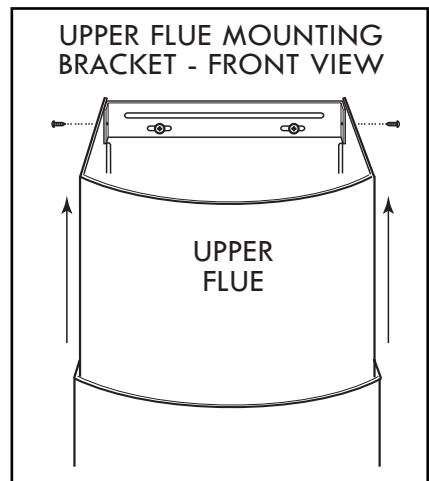
6. Measure and install 6" round metal ductwork to roof cap or wall cap and 90° elbow over duct collar on hood. Use duct tape to make all joints secure and air tight.
7. Plug hood power cord into the outlet.



8. Remove the upper flue from inside the lower flue. Install the lower flue bracket to the lower flue using (2) flue bracket screws (#8 x 3/8"). Ensure that the bracket is positioned inside of the lower flue flanges - with the slots on top. Carefully replace the upper flue inside the lower flue. Remove protective plastic film covering the lower flue only.
9. Carefully place both flues into the recessed area of hood top.



10. Slide the upper flue upward until it is aligned with its upper flue mounting bracket. The bracket should be inside the flue. Secure the upper flue to the upper flue mounting bracket using (2) #8 x 3/8" mounting screws.
11. Remove protective plastic film covering the upper flue and the hood.
12. Reinstall grease filter by aligning rear filter tab with slot in the hood, push in the metal latch tab, push filter into position and release. Make sure filter is securely engaged after installation.



Safety

Warranty

Operation

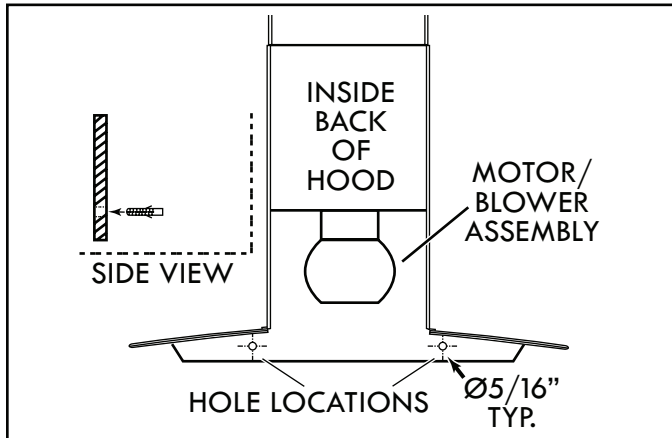
Cleaning

Installation

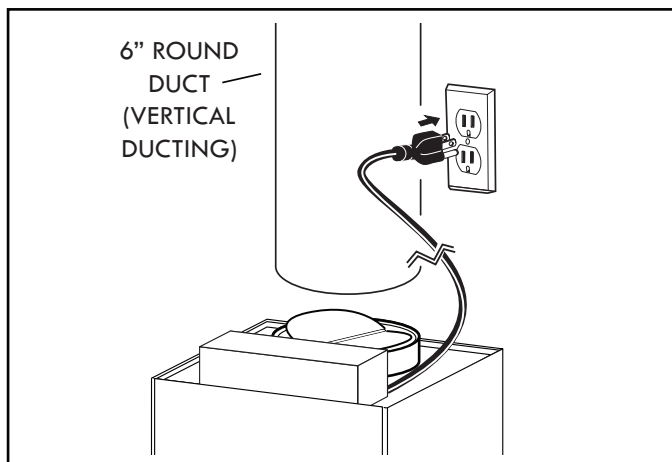
Service Parts

INSTALL THE HOOD (VERTICALLY DUCTED HOODS ONLY)

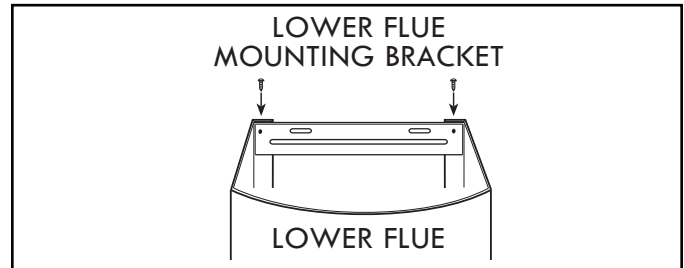
1. DO NOT REMOVE the protective plastic film covering the decorative flues at this time.
2. Align the hood and center it above the hood mounting bracket. Gently lower the hood until it securely engages the bracket.



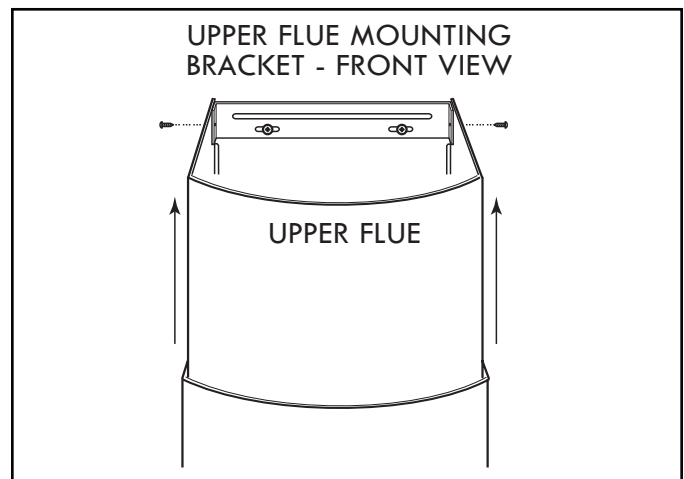
3. If a framing member is not present: With the hood hanging in place, drill through both holes located in the inside lower back of hood using a 5/16" drill bit. Insert the included drywall anchors into the drilled holes (one for each hole).
4. Install (2) washers and (2) #8 x 1 1/2" mounting screws through the back of the hood and into the drywall anchors. Verify that the hood is centered and leveled. Tighten all screws completely.



5. Measure and cut metal ductwork. Set ductwork aside.
6. Plug hood power cord into the outlet.



7. Remove the upper flue from inside the lower flue. Install the lower flue bracket to the lower flue using (2) flue bracket screws (#8 x 3/8"). Ensure that the bracket is positioned inside of the lower flue flanges - with the slots on top. Carefully replace the upper flue inside the lower flue. Remove protective plastic film covering the lower flue only.
8. Place both flues into the recessed area of hood top.
9. Carefully rotate bottom of flue assembly out and slide metal duct section into flue assembly.

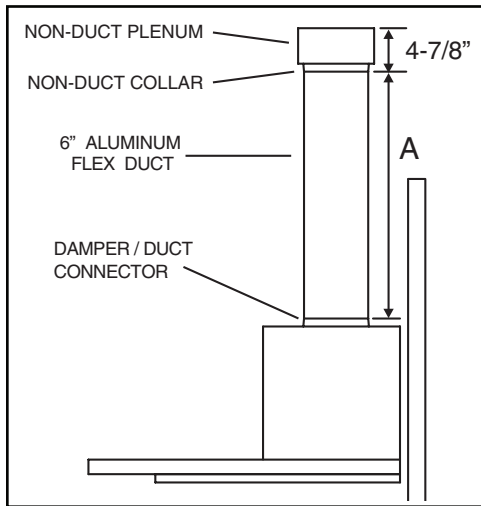


10. Connect duct section to duct connector and duct rough-in. Use duct tape to make sure all joints are secure and air tight.
11. Slide the upper flue upward until it is aligned with its upper flue mounting bracket. The bracket should be inside the flue. Secure the upper flue to the upper flue mounting bracket using (2) #8 x 3/8" mounting screws.
12. Remove protective plastic film covering the upper flue and the hood.
13. Reinstall grease filter by aligning rear filter tab with slot in the hood, push in the metal latch tab, push filter into position and release. Make sure filter is securely engaged after installation.

INSTALL THE HOOD (NON-DUCTED HOODS ONLY)

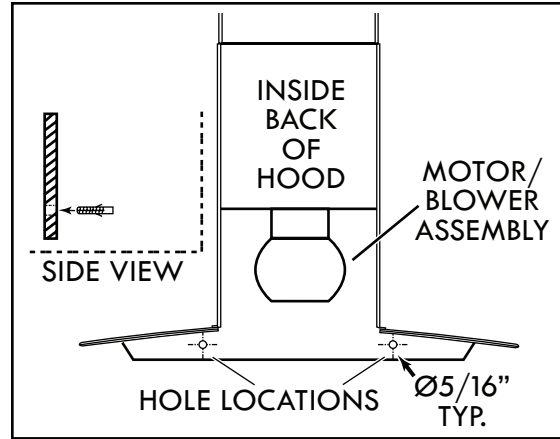
Note: Purchase Non-Duct Kit, Kenmore part number 59921.

1. CAUTION: Use only expandable aluminum duct provided with non-duct kit.
2. Do not remove the protective plastic film covering the decorative flue at this time.
3. Remove damper flaps from damper/duct connector and discard flaps.



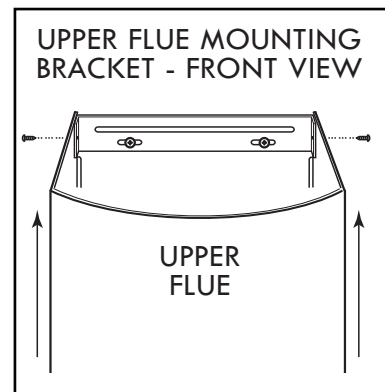
4. Attach non-duct collar to non-duct plenum using (4) #8 x 3/8" pan head screws.
5. Measure distance "A". Cut a length of flexible metal duct (extended) to this dimension.
6. Attach aluminum flexible duct to the damper / duct connector with a tie wrap.
7. Attach flexible duct to non-duct plenum collar and secure with tie wrap. Tape all joints with duct tape.
8. Remove protective plastic film covering the lower flue only.
9. Carefully place both flues into the recessed area of hood top.
10. Attach non-duct plenum with collar to upper flue using (4) #8 x 3/8" pan head screws.
11. Hold hood up close to wall mounting location and plug power cord into wall outlet.
12. Align the hood and center it above the hood mounting bracket. Gently lower the hood until it securely engages the bracket.

13. If a framing member is not present: With the hood hanging in place, drill through both holes located in the inside lower back of hood using a 5/16" drill bit. Insert the included drywall anchors into the drilled holes (one for each hole).

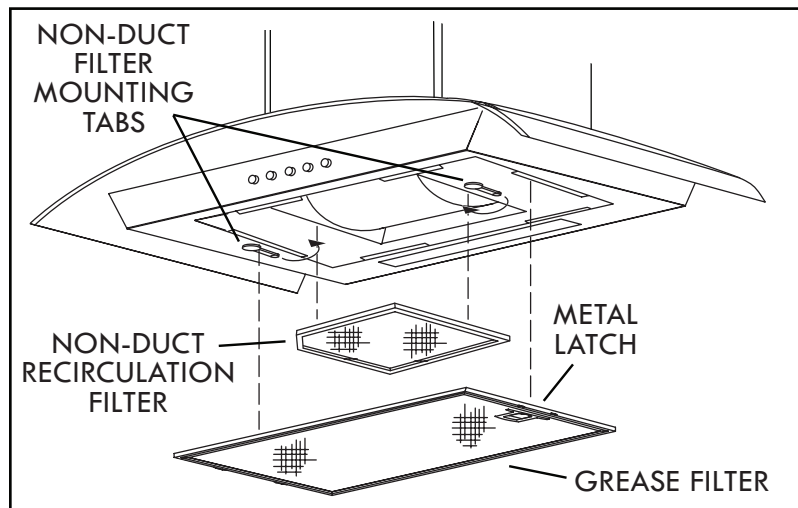


14. Install (2) washers and (2) #8 x 1-1/2" mounting screws through the back of the hood and into the drywall anchors. Verify that the hood is centered and leveled. Tighten all screws completely.

15. Slide up the upper flue until it is aligned with its mounting bracket. The bracket should be inside the flue. Secure the upper flue on the upper flue mounting bracket using (2) #8 x 3/8" mounting screws.



16. Remove protective plastic film covering the flue and the hood.



17. Install the non-duct recirculation filter as shown. Turn mounting tabs on hood to secure filter.
18. Reinstall grease filter by aligning rear filter tabs with slots in the hood. Push in the metal latch tab, push filter into position and release. Make sure filter is securely engaged after installation.

Safety

Warranty

Operation

Cleaning

Installation

Service Parts

INSTALL FLUE EXTENSION FOR 9-FT. CEILINGS

Note: 9-ft. ceilings require the purchase of a flue extension, Kenmore part number 59920.

1. Discard the upper flue (supplied with the hood) and replace it with the longer flue section.
2. Follow all steps shown in the section "INSTALL THE HOOD" for horizontal, vertical and non-ducted installations.

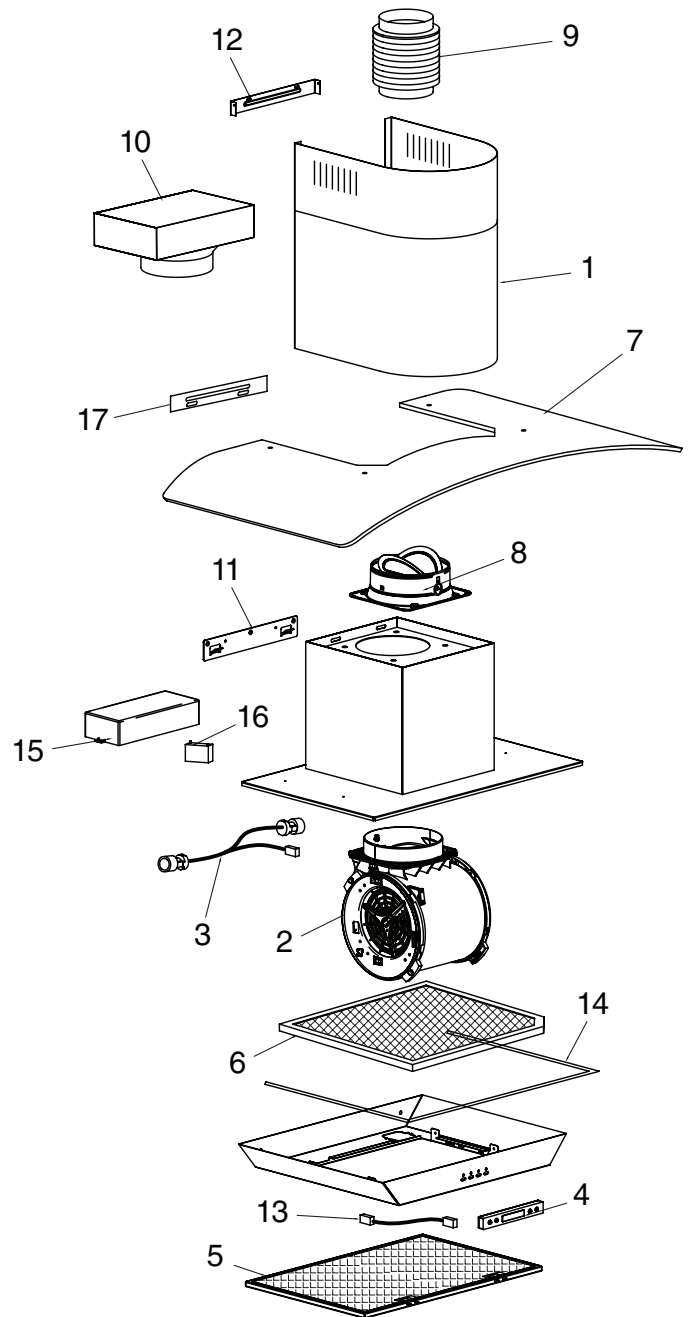
SERVICE PARTS

Models 233.5992*, 5993*

* = color number

KEY PART NO.	DESCRIPTION	QTY.
1	Decorative Upper and Lower Flues	1
2	Motor / Blower Assembly	1
3	Light Socket Assembly/Harness	1
4	User Interface Assembly	1
5	Aluminum Grease Filter	1
6	Non-Duct Recirculation Filter	1
7	Curved Glass Plate (30")	1
	99528336 Curved Glass Plate (36")	1
8	Damper / Duct Connector	1
9	6" Dia. Expandable Flexible Aluminum Duct	1
10	Non-Duct Plenum Assembly	1
11	Hood Mounting Bracket	1
12	Upper Flue Mounting Bracket	1
13	User Interface Cable	1
14	Trim	1
15	Plastic Cover	1
16	Capacitor	1
17	Lower Flue Mounting Bracket	1
	99271492 40W, 120V, B10 Candelabra Bulb (not shown)	2
	99527664 Parts Bag (not shown)	1
	99528459 Non-Duct Filter Clips (not shown)	1

Order service parts by Part No. - not by Key No.



Get it fixed, at your home or ours!

Your Home

For troubleshooting, product manuals and expert advice:



www.managemylife.com

For repair – **in your home** – of **all** major brand appliances, lawn and garden equipment, or heating and cooling systems, **no matter who made it, no matter who sold it!**

For the replacement parts, accessories and owner's manuals that you need to do-it-yourself.

For Sears professional installation of home appliances and items like garage door openers and water heaters.

1-800-4-MY-HOME[®] (1-800-469-4663)

Call anytime, day or night (U.S.A. and Canada)

www.sears.com www.sears.ca

Our Home

For repair of carry-in items like vacuums, lawn equipment, and electronics, call anytime for the location of your nearest

Sears Parts & Repair Service Center

1-800-488-1222 (U.S.A.)

www.sears.com

1-800-469-4663 (Canada)

www.sears.ca

To purchase a protection agreement on a product serviced by Sears:

1-800-827-6655 (U.S.A.)

1-800-361-6665 (Canada)

Para pedir servicio de reparación a domicilio, y para ordenar piezas:

1-888-SU-HOGAR[®]

(1-888-784-6427)

www.sears.com

Au Canada pour service en français:

1-800-LE-FOYER^{MC}

(1-800-533-6937)

www.sears.ca

The Sears logo, consisting of the word "sears" in a lowercase, serif font.