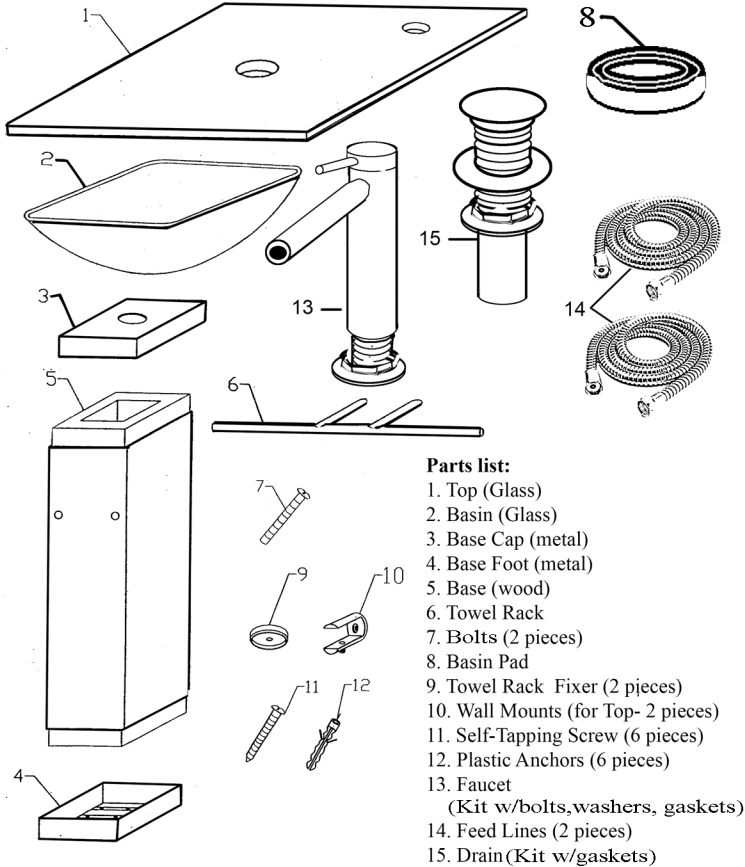
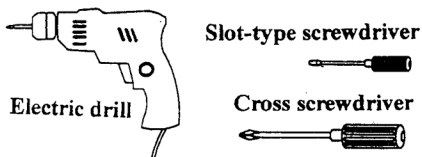




1. Unpack and check parts list



2. Tools



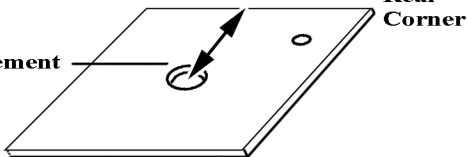
3. Install Base Foot

Measure out from wall to center of base foot using glass top as a reference:

Right Rear Corner

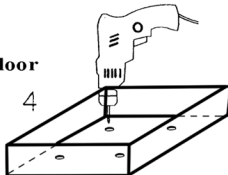
3-A

Take this measurement



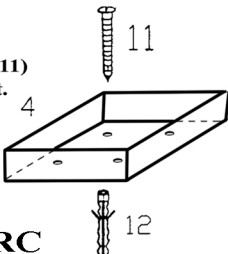
3-B

Pre-drill holes in floor



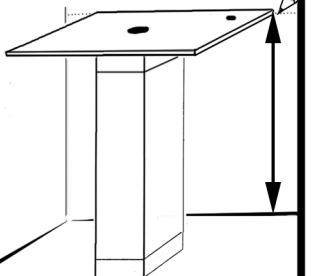
3-C

Insert plastic anchors (12) into floor. Use screws (11) to secure base foot.



3-D

Place wooden base into base foot. Place base cap & glass top on.

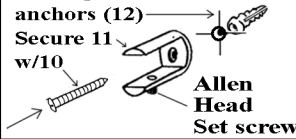


Mark wall with pencil to guide drill holes for wall mounts (part 10)

Made in PRC

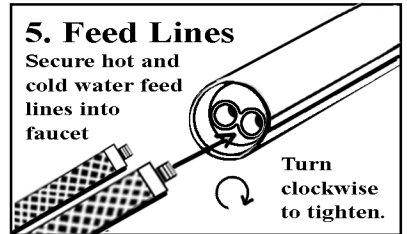
4. Wall Mounts

Drill holes at pencil marks. Insert plastic anchors (12) Secure 11 w/10 Allen Head Set screw



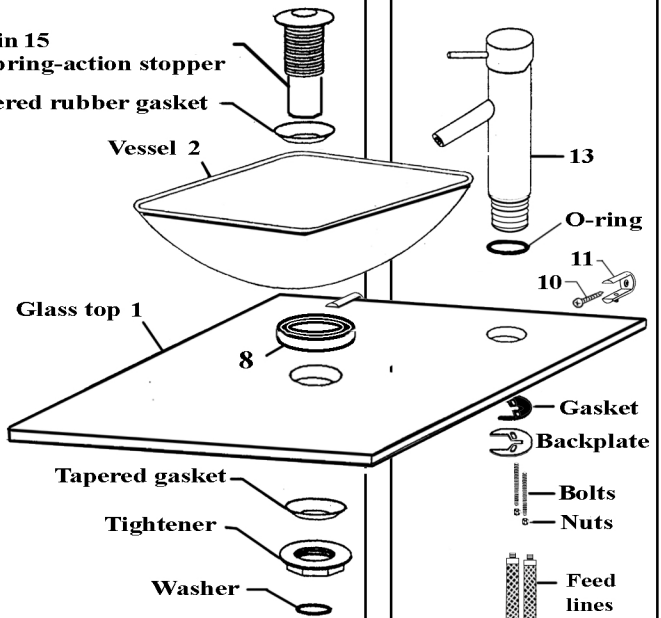
5. Feed Lines

Secure hot and cold water feed lines into faucet

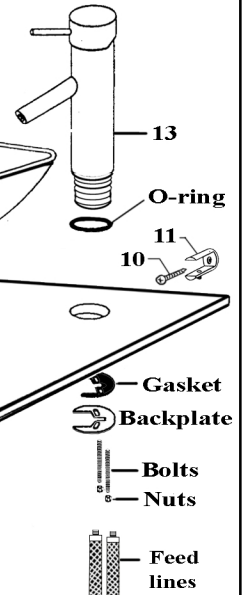


5. Assemble Drain Kit (15)

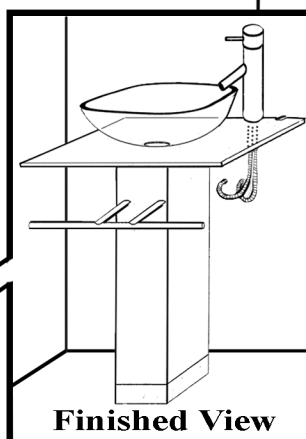
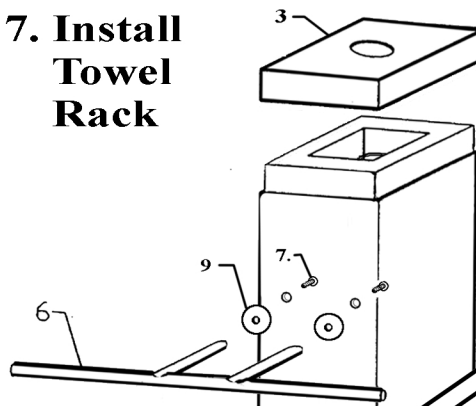
Drain 15 w/spring-action stopper Tapered rubber gasket



6. Assemble Faucet (13)



7. Install Towel Rack



"Your trusted manufacturer since 1978"

The Renovator's Supply, Inc
#10887
Tempered Glass
Ped Combo
www.rensup.com
1-800-659-2211

