

Renovators Supply, Inc. © [www.rensup.com](http://www.rensup.com)

## Please Read The Following Instructions Before Installing: L-pipe Classic High Tank Toilet

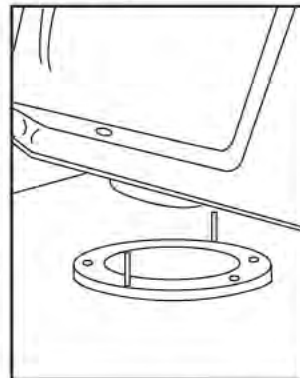
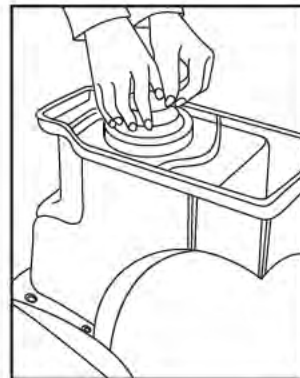
### Preparation and disassembly

1. Shut off water supply to the existing water closet
2. Disconnect water supply tubing from existing tank and angle stop valve
3. Remove existing water closet and tank from floor
4. Remove old wax seal and clean area around the drain
5. Draw a center line as illustrated) through center of the drain to the wall. Plumb a line vertically to the wall up to 79", at this point draw a horizontal line on either side of the center line.

### Toilet Bowl Installation

1. To install the toilet bowl turn it upside-down. Place the new wax ring (available at any hardware or plumbing supply store) and sleeve over the drain horn. Press it down firmly. Note: if the ring has a paper cover, remove it.
2. Make sure the toilet flange is clean and the floor bolts point straight up. Carefully position the toilet bowl over the flange, and fit the holes in the toilet base directly over the floor bolts.
3. Press down on the toilet bowl to compress the wax ring. To form a tight seal. Attach the washers and nuts to the floor bolts, and tighten them with an (non-scratch) adjustable wrench. (Note: Don't over-tighten the bolts as you may crack the ceramic base).

Toilet Bolt Covers are available at [rensup.com](http://rensup.com)  
17612 White, 17613 Bone, 17614 Black

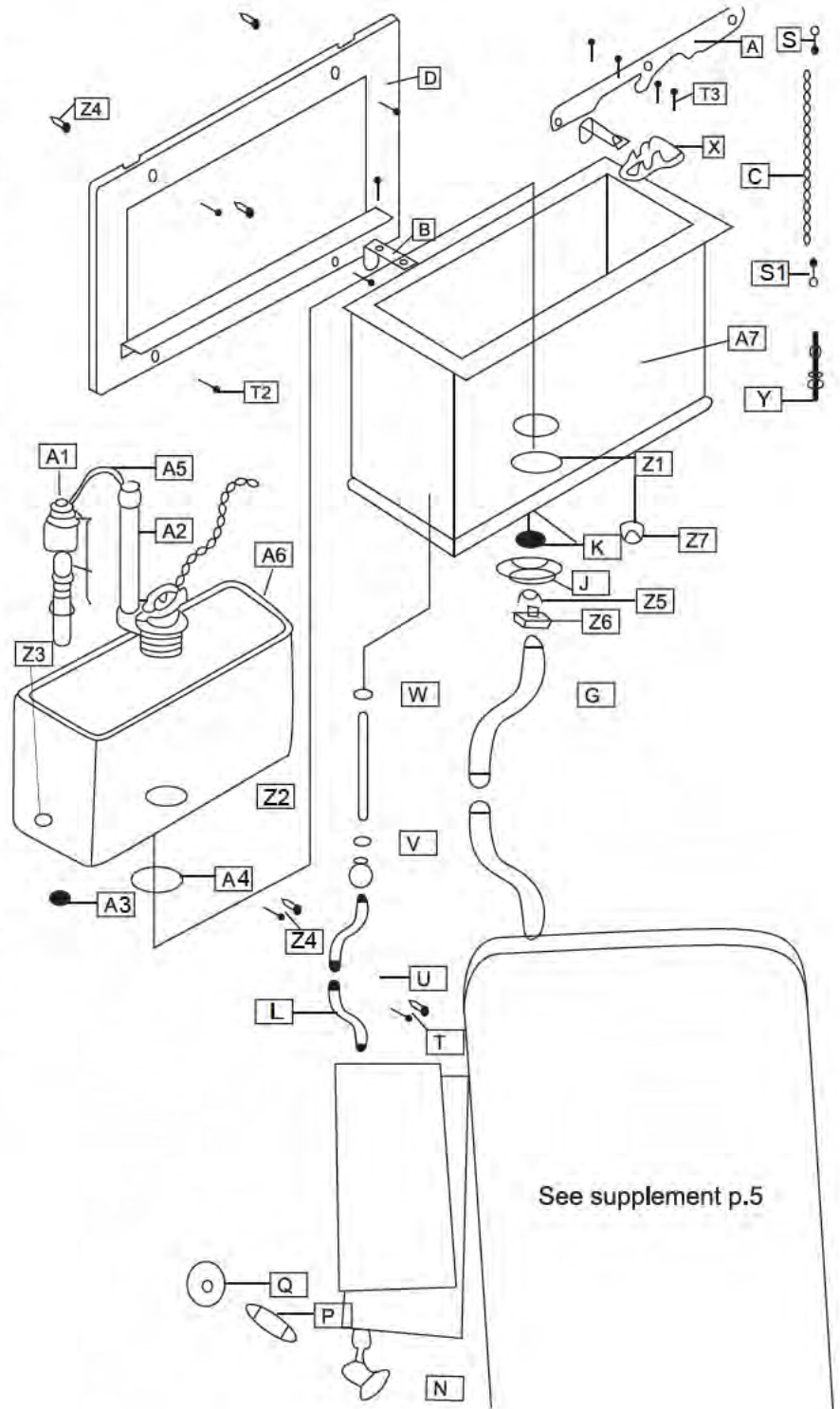


Renovators Supply, Inc. © [www.rensup.com](http://www.rensup.com)

## Instructions

### PULL CHAIN TOILET "L"PIPE

Part#	Parts Description	QTY
A	Flush Arm	1
A1	Fill Valve	1
A2	Flush Valve	1
A3	Small Plastic Locknut (For Fill Valve)	1
A4	Large Plastic Locknut (For Flush valve)	1
A5	Rubber Fill Tube	1
A6	Plastic Tank Liner	1
A7	Wood Tank	1
B	Hanger Bracket	2
C	Pull Chain	1
D	Moulding Bracket	1
G	49" Tube	1
J	Large Decorative Nut	1
K	Rubber Washer	1
L	1/2" Water Supply Line	1
N	Shut Off Valve	1
O	12" Flex Supply Line	1
P	Nipple	1
Q	Flange	1
S	S Hook	1
S1	Eye Screw	1
T	Bracket Screw (Plated)	2
T2	Moulding Bracket Screw	4
T3	S/S Pin Head Screw	6
U	Bracket	1
V	Small Brass Decorative Nut	1
W	Cone Washer	1
X	Brass Cradle	1
Y	Knob	1
Z1	Large Metal Locknut	1
Z2	Large Rubber Gasket	1
Z3	Small Rubber Gasket	1
Z4	Plastic Anchor	6
Z5	Plastic Slip Joint Washer	2
Z6	Brass Slip Joint Nut	1
Z7	Rubber Water Restrictor	1



These instructions and drawings disclose confidential and other data of proprietary nature owned by Renovator's Supply Inc. and may not be used or disclosed to others without the prior written consent of Renovator's Supply Inc. Renovators Supply, Inc.©

# RENOVATOR'S

Renovators Supply, Inc. © [www.rensup.com](http://www.rensup.com)

## Instructions

### PULL CHAIN TOILET "L" PIPE

**1** First install the toilet bowl as per manufacturers' supplement.

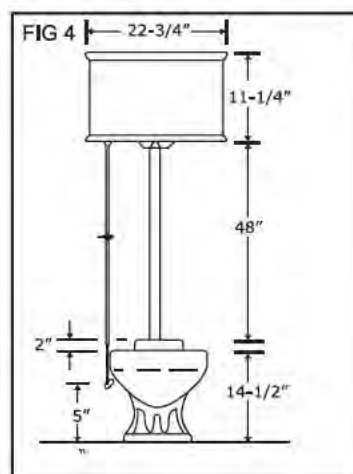
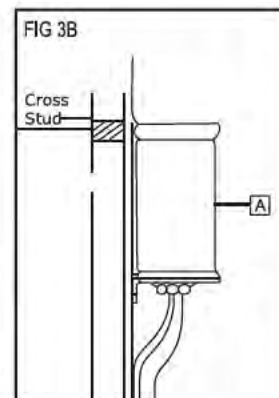
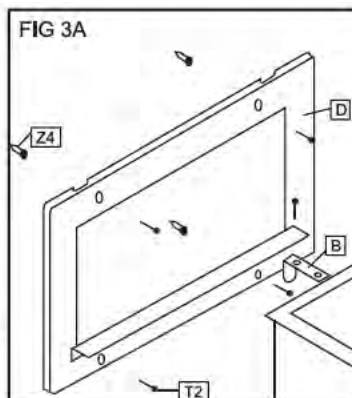
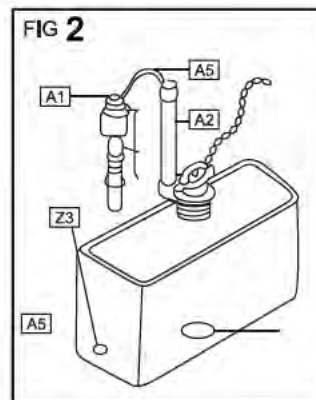
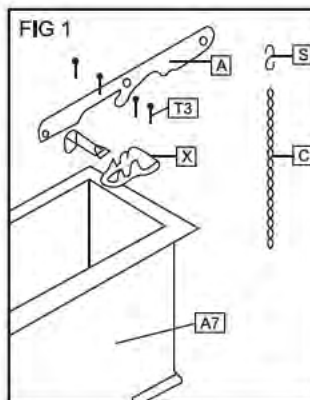
**2** Attach flush arm (A) on the brass cradle (X) mounted on the right side of the wood tank (A7). Hook the end of the pull chain (C) to the flush arm and flapper chain to the opposite side.(Fig 1)

**3** Make sure and check that the refill tube (A5) is inserted on top of the overflow pipe. (Fig2)

**4** To mount molding bracket (D), locate the centerline on the wall behind the bowl and mark tank height. We recommend that the bottom edge of the molding be about 60 inches from the floor for regular toilet bowl height 14.5 inches. Secure molding bracket to studs with mounting screws (T2), if studs cannot be accessed we recommend cross studs be toe-nailed into the vertical studs, use plastic anchors. (Fig 3A) If necessary, drill holes on the molding bracket make sure not to drill within 1 inch of the outside perimeter of the molding bracket (D). This area will be exposed.(Fig4)

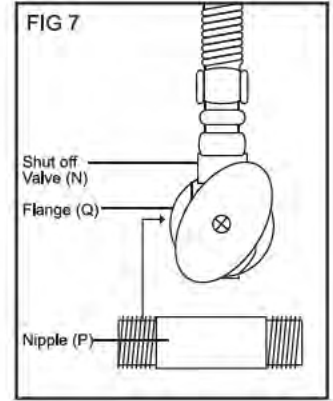
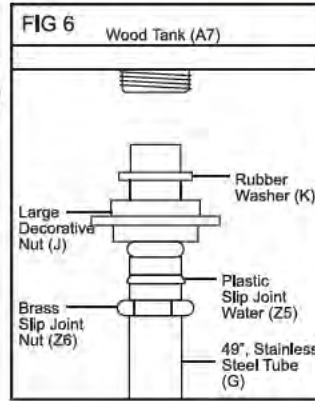
**5** Install the ribbed rubber donut gasket (supplied in clear plastic bag with flip up stopper shown on supplement) in rear entry port of toilet until gasket is fully seated. Push/twist bottom end of flush pipe into donut gasket until pipe meets stop at far end of gasket and fully seated in gasket/rear entry port of toilet bowl.

**6** Align hanger brackets (B) on the wood tank to the inside notch of the molding bracket (D) and hang the wood tank (A7). (Fig 3B)



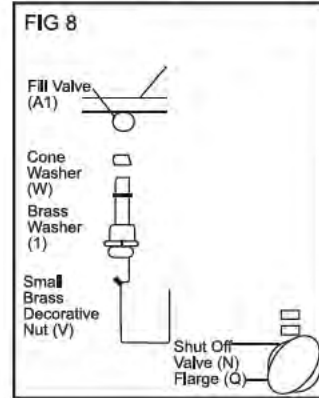
PULL CHAIN TOILET "L"PIPE

**7** Slide brass slip joint nut (Z6) followed by plastic joint washer (Z5) and large decorative nut (J) with rubber washer (K) into top end of the brass tube (G). Inset rubber water restrictor (Z7). Inside the 49" stainless steel tube (G) and loosely attach the large decorative nut (J) to the receiving thread of the flush valve (A2) on the wood tank slightly tighten all joints.(Fig 6)

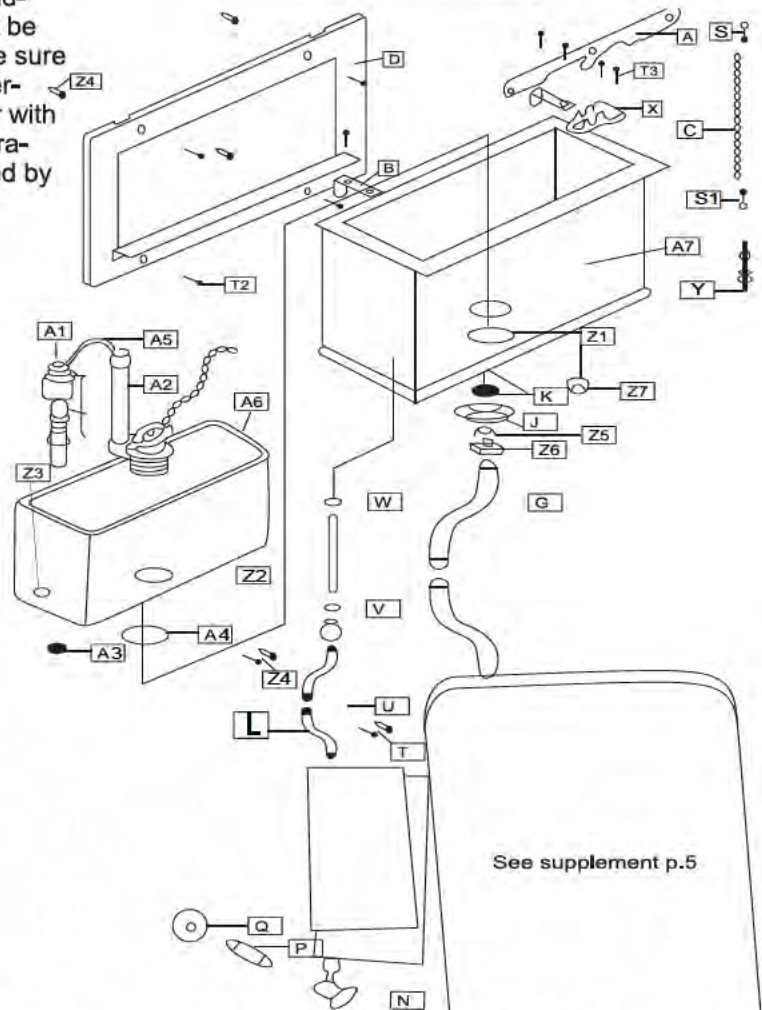


**8** Install the nipple (P) to the water fitting from the wall. Slide the flange.(Q) onto the nipple (P) and install the shut off valve(N).(Fig 7) Note2. Please wrap both sides of the nipple with thread sealer.

**9** Slide the small brass decorative nut (V) from the opposite end of the 1/2" water supply line (L) (non collared end), inset cone washer (W) in between the 1/2" water supply line (L) and the small brass decorative nut (V) to the fill valve receiving thread and hand tighten, connect 1/2" water supply line (L) to the shut off valve. Tighten all connection with a wrench and make sure all connections are squarely aligned to assure no leakage. Do a final check that all connections are tightened.(Fig 8)



**10** Turn on the shut off valve and fill the tank to its waterline and test flush system, checking for leaks. (Water level is pre-adjusted from the factory, in some instance re-adjustment might be necessary. Caution: Before turning on the water, please make sure that all parts are installed properly. Never use abrasives, detergent) or acids to clean the unit. Use only mild soap and water with soft cloth to clean the set, the use of harse chemicals and abrasives of any kind will damage the set which will not be covered by the warranty.



Renovators Supply, Inc. © [www.rensup.com](http://www.rensup.com)

## L-Pipe REAR ENTRY-COMPLETE KIT THE CLASSIC PULL CHAIN TOILET SUPPLEMENT DIAGRAM

### Pull Chain

