

Cornice Molding

INSTALLATION INSTRUCTIONS

TOOLS NEEDED:

- Miter Box
- Hand Saw
- Liquid Nail
- Paintable Latex Caulk
- Caulking Gun
- Nail or Screws with correct tool for installing
- Mineral Spirits
- Rag for Wiping

Use the caulk to fill in any countersunk screw holes made and also to fill space between ceiling/wall and the molding.

Allow 24 hours after installation before painting.

Paint with a water-based paint.

INSTRUCTIONS

All cornice is positioned between the ceiling and the wall at an angle. The back side of the molding has two flat surfaces, called a bedding edge, which forms a 90° angle. When cutting molding these 90° surfaces must fit snugly against the back and bottom of the miter box. (SEE FIGURE 1)

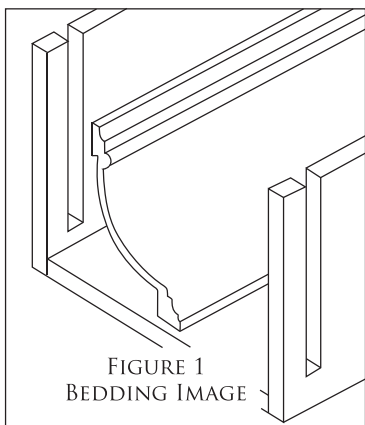


FIGURE 1
BEDDING IMAGE

Both inside and outside corner cuts are made with the bottom of the molding facing up in the miter box. (SEE FIGURE 2)

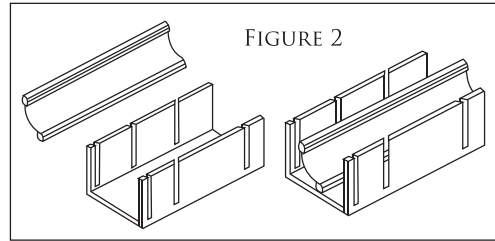


FIGURE 2

INSIDE CORNERS

For inside corners mark the long point of the 45° angle. As you face the corner, the left side of the corner will be cut to the right of your saw (SEE FIGURE 3A) and the right side of the corner will be cut to the left of your saw. (SEE FIGURE 3B)

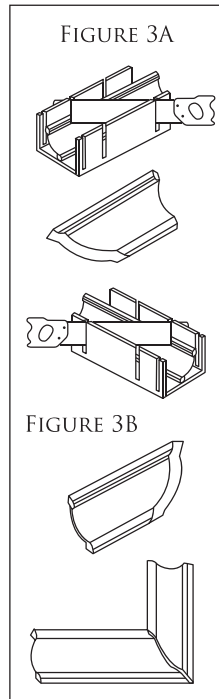


FIGURE 3A

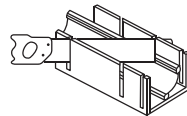
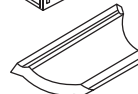
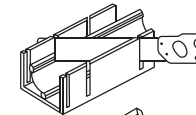
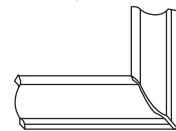
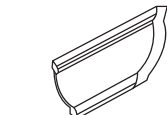


FIGURE 3B



OUTSIDE CORNERS

For outside corners mark the short point of the 45° angle. As you face the corner, the left side of the corner will be cut to the right of your saw (SEE FIGURE 4A) and the right side of the corner will be cut to the left of your saw. (SEE FIGURE 4B)

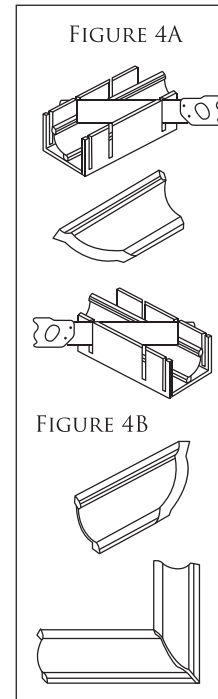


FIGURE 4A

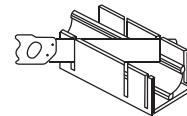
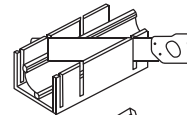
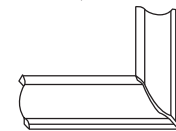
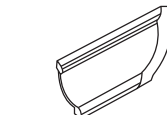


FIGURE 4B



APPLY ADHESIVE TO CORNERS

If joints are clean and dry, apply liquid nail to each side and press matched pieces together. (SEE FIGURE 5A) Cross nail or use screws and counter sink (SEE FIGURE 5B). Remove excess adhesive with mineral spirits, let the corner dry before applying pressure.

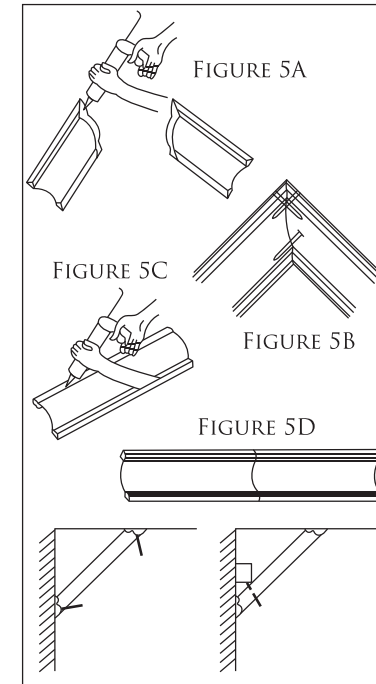


FIGURE 5A

FIGURE 5C

FIGURE 5B

FIGURE 5D

INSTALLING MITERED (CORNER) PIECES

Apply liquid nail to edges. Position on the wall/ceiling and press. Nail or screw at stud marks no closer than 16" from corner.

CHECKING CORNERS

The molding should fit against the wall and ceiling. One piece may need to be shimmed or planed to fit the wall if the wall does not come into a 45° angle.

LONG WALLS AND FULL PIECES

When installing straight lengths always match patterns, use butt joints (SEE FIGURE 5D). Use adhesive on joints and bedding edges (SEE FIGURE 5C). When cutting lengths, OVERLONG by 1/8" and create pressure on joints by springing into place. Use a stop if needed.

RENSUP.COM

Crown Molding

INSTALLATION INSTRUCTIONS

TOOLS NEEDED:

- Miter Box
- Hand Saw
- Liquid Nail
- Paintable Latex Caulk
- Caulking Gun
- Nail or Screws with correct tool for installing
- Mineral Spirits
- Rag for Wiping

Use the caulk to fill in any countersunk screw holes made and also to fill space between ceiling/wall and the molding.

Allow 24 hours after installation before painting.

Paint with a water-based paint.

INSTRUCTIONS

All crown molding lays flush against the wall and fits snugly under the ceiling. When cutting the crown molding place it in the miter box.

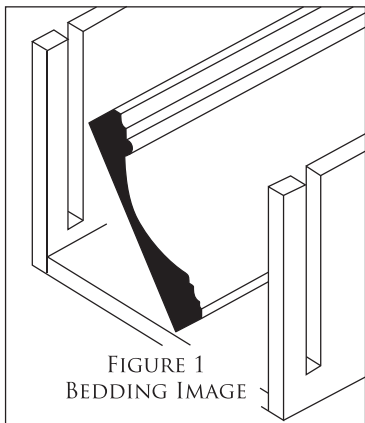


FIGURE 1
BEDDING IMAGE

Both inside and outside corner cuts are made with the bottom of the molding facing up in the miter box. (SEE FIGURE 2)

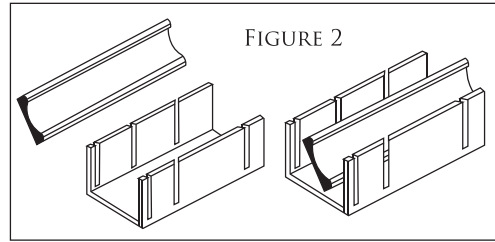


FIGURE 2

INSIDE CORNERS

For inside corners mark the long point of the 45° angle. As you face the corner, the left side of the corner will be cut to the right of your saw (SEE FIGURE 3A) and the right side of the corner will be cut to the left of your saw. (SEE FIGURE 3B)

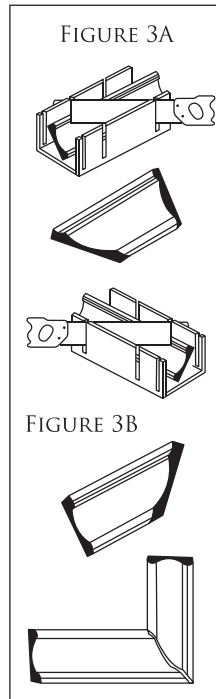


FIGURE 3A

FIGURE 3B

OUTSIDE CORNERS

For outside corners mark the short point of the 45° angle. As you face the corner, the left side of the corner will be cut to the right of your saw (SEE FIGURE 4A) and the right side of the corner will be cut to the left of your saw. (SEE FIGURE 4B)

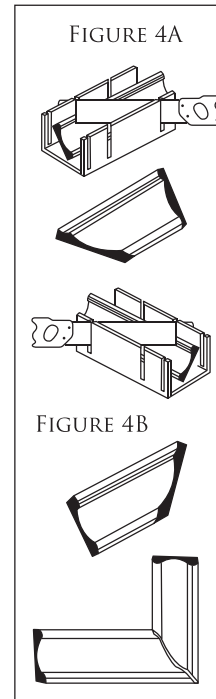


FIGURE 4A

FIGURE 4B

APPLY ADHESIVE TO CORNERS

If joints are clean and dry, apply liquid nail to each side and press matched pieces together. (SEE FIGURE 5A) Cross nail or use screws and counter sink (SEE FIGURE 5B). Remove excess adhesive with mineral spirits, let the corner dry before applying pressure.

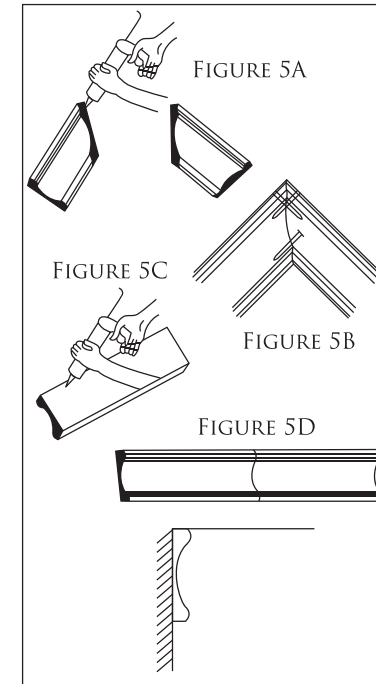


FIGURE 5A

FIGURE 5C

FIGURE 5B

FIGURE 5D

INSTALLING MITERED (CORNER) PIECES

Apply liquid nail to edges. Position on the wall/ceiling and press.

CHECKING CORNERS

The crown molding lays flush against the wall and fits snugly under the ceiling.

LONG WALLS AND FULL PIECES

When installing straight lengths always match patterns, use butt joints (SEE FIGURE 5D). Use adhesive on joints and bedding edges (SEE FIGURE 5C). When cutting lengths, OVERLONG by 1/8" and create pressure on joints by springing into place. Use a stop if needed.