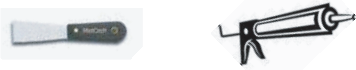







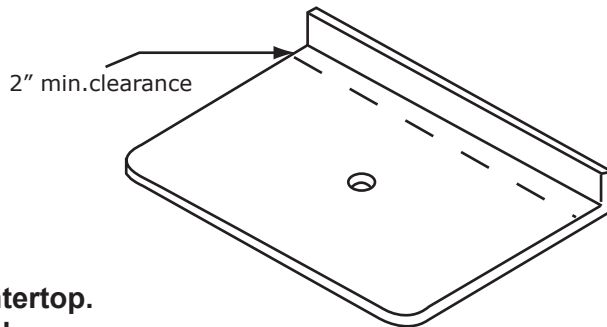
Installation Instructions Tempered Glass vessel Sinks

Suggested Tools Needed:

<ul style="list-style-type: none"> Putty knife & putty or caulking 	<ul style="list-style-type: none"> Tape measure 	<ul style="list-style-type: none"> Adj. slip lock nut wrench 
<ul style="list-style-type: none"> Tubing cutter or hacksaw 	<ul style="list-style-type: none"> Drill 	<ul style="list-style-type: none"> Screw driver 

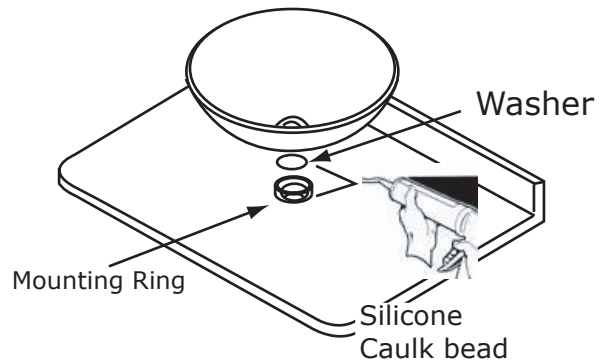
Step 1

Drill 1-3/4 in. hole on countertop. Allow for adequate clearance under the countertop for faucet supply lines, drain assembly & any structural parts of the cabinet. Provide a 2 in. minimum clearance between the back of the sink & the back of the countertop. Countertop diagram is for reference only.



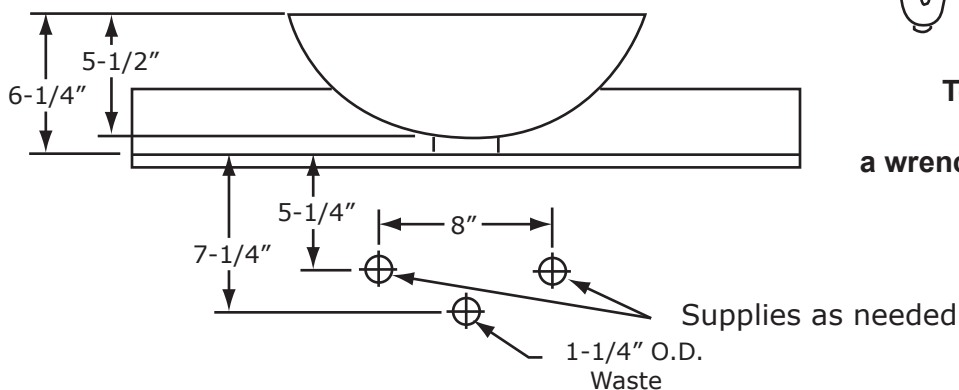
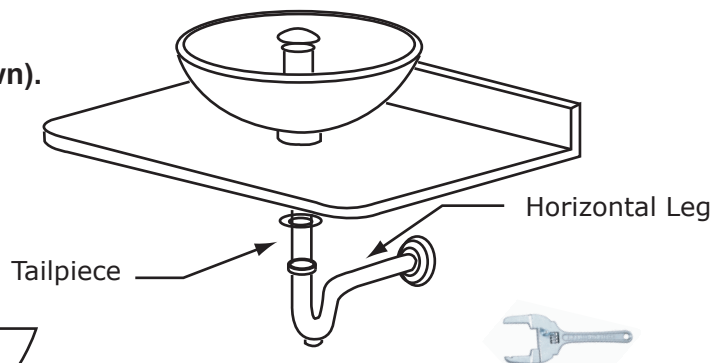
Step 2

Place mounting ring, washer & glass vessel as shown. We recommend applying a silicone caulk bead both above & under the mounting ring to reduce vibration.



Step 3

Connect trap to drain assembly (as shown). If necessary cut off part of the tailpiece or part of the horizontal leg pipe to complete installation.



To avoid scratching do NOT use a wrench with serrations (teeth)

RENOVATOR'S

Renovators Supply, Inc.

Rev-2008

Before installing your sink

- Unpack & inspect your product immediately upon receipt for damage
- Additional floor & wall preparation may be required including additional supports
- Ensure you have the tools required to avoid damaging or scratching the product
- Shut off the water supply
- Observe all local plumbing codes & building codes

How to care for your product

- Do not over-tighten drain as this may cause damage
- Do not clean product with detergents, acids, abrasives, harsh cleaners
- Do not drop solid objects on or in your product & do not scratch its surface
- Use a damp soft cloth to clean your product
- Use a dry soft cloth to dry your product & avoid water spots
- If needed use a mild soap with a soft cloth to clean your product

Your Tempered Glass Vessel Sink is certified:

IGC 172-2005 *Glass Lavatories and Sinks*; CSA B45.0-02 *Plumbing Fixtures*;
CSA B45.11-04 *Glass Lavatories*; IAPMO R & T procedure R-019

Faucets

**Our Waterfall Faucets & Single Lever faucets
coordinate beautifully with our tempered glass sinks
www.rensup.com**

- Choose from over 35 waterfall glass disk designs & colors to match your décor
- Various finishes chrome, brass PVD, satin nickel, antique brass & antique copper
- 500,000 cycle ceramic LEAKPROOF cartridges ensure these faucets last!
- Solid 100% brass inner workings for superior quality, NO ZINK ALLOYS!
- Sleek single lever design make these ergonomic & easy for all ages to use

Unique & Modern faucets arrive daily visit www.rensup.com



#13205



#13107

Dual Flush Toilets – MAKE the environmentally sound choice!
**Eco-savvy consumers select environmentally sound toilets from
www.rensup.com**

Over 45 Dual Flush Toilets to choose from with the latest Dual-Flush Technology at www.rensup.com

- Which puts you in control of your water consumption
- Choose from both 0.8 & 1.6 gallon flush at the touch of a button
- Lowers water usage & saves you money
- Crafted from Grade A Vitreous China

- **Quantity DISCOUNTS on all items**
- **Most Web Orders over \$125 ship free at www.rensup.com**

RENOVATOR'S

Renovators Supply, Inc.

Rev-2008

Tempered Glass Sinks

Glass sinks are the ultimate in bathroom luxury & are offered in a variety of models at www.rensup.com: vessels, over-the-counter, wall-mount & pedestal sinks. Tempered glass sinks are extremely durable and can withstand a change of 20 degrees without breaking. Most tempered glass sinks are resistant to small accident breakage, for example dropping plastic items into the sink. But like ceramic & vitreous china, tempered glass sinks can break or chip when a heavy or solid object falls in or on them like a heavy drinking glass.

However, glass is somewhat of an unpredictable material and a tempered glass sink will shatter into fragments if the tempering process is compromised. The tempering process intentionally puts internal stresses in the glass that produces its strength, durability and heat-resistance. After it is tempered, a small chip could localize these stresses and immediately weaken or break the glass allowing it to shatter. **By virtue of its very own nature, tempered glass inherently has the potential to shatter when the tempering process is compromised.** Unseen damage to a tempered glass sink may not be noticeable immediately and delayed breakage may occur weeks or months after installation.

In order to reduce the inherent capability of shattering, Renovator's Supply recommends examining your product immediately upon receipt for any defects and report any damage to customers service (cs@rensup.com or 800-659-2211) within the time limit and terms and conditions set by our guarantee available at: www.rensup.com. Also please ensure that the installation instructions are followed to minimize delayed breakage. Be especially careful to use a caulk bead above and under the mounting ring to reduce vibration against the sink. Also over-tightening or under-tightening nuts may cause a poor installation in which a delayed breakage may occur. Counter tops that are not level and plumb may also contribute to an improper installation and will damage the sink causing a delayed breakage. Routinely check your sink for any cracks or chips. As stated earlier any small chip could localize these stresses and immediately weaken or break the glass. If you have any questions or concerns, contact us immediately at: **cs@rensup.com or 800-659-2211**

Our tempered glass sinks are rigorously tested and have met these certifications:

- **IGC 172-2005 Glass Lavatories and Sinks**
- **CSA B45.0-02 (Update No. 1: Jun-2003, Update No.2: Apr-2004, Supplement No.1: Oct-2004, Update N0.3:Sep-2005) Plumbing Fixtures**
- **CSA B45.11-04 (Update No.1:March 2005) Glass Lavatories**
- **IAPMO R & T procedure R-019**

At Rensup.com we want you to enjoy your quality product and we guarantee our tempered glass sinks. Please visit www.rensup.com for guarantee details and terms & conditions. If you have any questions or concerns please contact us immediately at:

cs@rensup.com or 800-659-2211

For additional web information please consult these links:

- **Corning Museum of Glass,**
Article, Prince Rupert's Drop & Glass Stress
<http://www.cmog.org/index.asp?pagelid=735>
- **Wikipedia,**
Article, Prince Rupert's Drop
http://en.wikipedia.org/wiki/Prince_Rupert's_Drops
- **Keidel.com,**
Article, Materials - Glass
<http://www.keidel.com/design/select/sinks-glass.htm>