

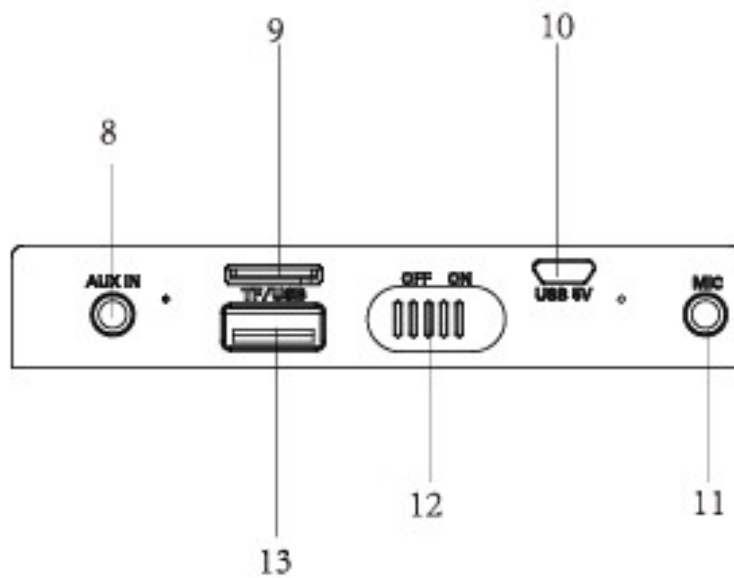
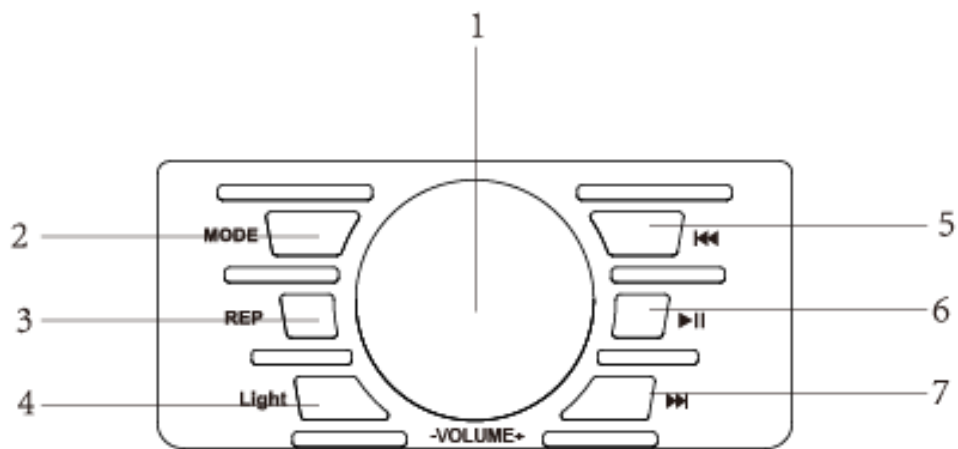
# User instruction

Please read this manual before use

## **Matters Need Attention :**

1. Don't put this product under high temperature and wet environment and it will be worse when it is in the rain or crashed strongly.
2. To reduce the risk of electric shock or fire, do not remove the cabinet cover simply contact a service professional.
3. In the rear occurrence of malfunction do not attempt to repair the unit on your own. Contact a certified service professional for a proper diagnosis and repair.
4. If fragments or liquids fall into device box, please cut off the power right away. And it can be used only after professional staff checks it.
5. Power grid off switch such as: switch, battery socket, appliance coupler. Should install the unit on a horizontal, flat and firm surface with good ventilation.
6. Don't install the unit in or near a place where it may come in contact with rain, moisture or other liquids.
7. If the battery is incorrectly replaced then explosion would happen, so please replace it with the same type or equivalent type of battery.
8. To avoid charging accident, it must to use the 5V adapter of this product to charging. If the accident or machinery damage caused by other original adapter, it will void warranty.
9. To prevent battery explosion, do not install in areas of extreme heat, fire or in areas with direct exposure to sunlight.

## Control Panel Function Description



1. Master Volume
2. Mode
3. Repeat
4. Light On/Off
5. Last Song
6. Play/Pause
7. Next Song
8. AUX In Port
9. TF Card Slot
10. USB 5V Input Port
11. Mic in
12. 12. Power Switch
13. 13. USB Flash slot

## **General Function Description**

1. Support U disk / TF card player, FM radio, external audio input functions
2. High quality Bluetooth solution
3. Support wired microphone
4. Use lithium batteries, long battery life
5. Using digital power amplifier IC, highly integrated SMT technology, electrical stability and durability

## **MP3 Function Description**

1. U disk: insert U disk automatically play existing MP3 WMA songs music format.
2. TF card: insert TF card automatically play existing MP3 WMA songs music format.
3. Play/Pause Key: short press for Play or Pause; In line in mode short press for mute.
4. Previous and next song: short press for previous and next song ;
5. REP button: short press for single or full cycle

## **FM radio Function**

1. Short press MODE key switch to FM mode ;
2. Play/Pause Key: long press for automatic searching stations, short press for mute and cancel the mute function ;
3. Previous song/Next song Key: short press to previous or next stored radio station.
4. Please note: please automatically search radio stations when first use.

## **Bluetooth connection**

1. On Bluetooth Mode automatically enters the Bluetooth pairing wait status.
2. Open Bluetooth device and search "EARISE T15", click pairing, after successfully connecting the speaker, the speaker will call out a pairing success tone.
3. Music Playing: Short press Play/Pause and Previous/Next Song key to control Bluetooth music.

## **Light functional description**

1. When the power switch is turned on, the default light is on
2. In any mode, press the Light key for the light ON/OFF

## **Charging indication and battery bass indication description**

1. Power charging is required once the battery symbol space flashed which means low battery power, meanwhile, the volume will drop to around 70% of the master volume automatically, please use the original USB cable for charging, the red lights up when charging, and turn off once fully charged.
2. Note: The charging time can't be less than 12 hours for the first use, please keep the battery on power once long time no work, otherwise it will be easy damaged.
3. Please strictly control the charging time, do not continue to charge for a long time, will lead to battery power loss and can not save power.

**Specifications**

Power Output: 9W

R. Frequency: 90Hz-20KHz

Drive Unit: 4"2Ω\*1

S/N Ratio: ≥60dB

DC Input: USB 5V

Power Supply: AC 100-240V

Dimension: L202\*W141\*H280mm

**What in the box**

Main unit \*1pcs

User manual \*1pcs

USB Cable \*1pcs

Wired microphone \*1pcs