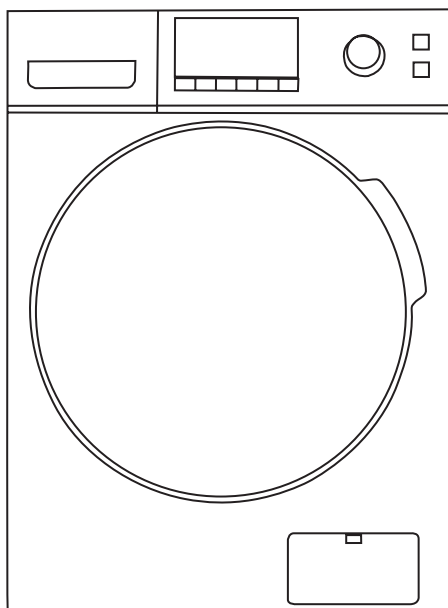


BLACK+[®] DECKER

2.7 CU. FT. FRONT LOAD WASHER

INSTRUCTION MANUAL

CATALOG NUMBER
BFLW27MW



Thank you for choosing BLACK+DECKER!

PLEASE READ BEFORE RETURNING THIS PRODUCT FOR ANY REASON.

If you have a question or experience a problem with your BLACK+DECKER purchase, go to www.blackanddecker.com/instantanswers.

If you can't find the answer or do not have access to the Internet, call 844-299-0879 from 10:30 a.m. to 6:30 p.m. EST Mon. - Fri. to speak with an agent. Please have the catalog number available when you call.

SAVE THIS MANUAL FOR FUTURE REFERENCE.

CONTENTS

SAFETY INFORMATION

Important Safety Instructions.....	3-5
Important Installation Information.....	6

SET UP & USE

Before First Use.....	7
Quick Start Guide.....	7
Control Panel.....	8-12
Using the Washer.....	12-13

CLEANING & CARE

Cleaning and Maintenance.....	14-16
-------------------------------	-------

INSTALLATION INSTRUCTIONS

Installation Warnings and Precautions.....	17-18
Grounding Instructions.....	19
Usage and Maintenance Cautions.....	20-21
Usage and Maintenance Warnings.....	22-23
Transporting the Machine.....	24
Removing the Transport Bolts.....	25
Parts and Features.....	26
Tools Needed.....	27
Choose the Proper Location.....	27-30

TROUBLESHOOTING & WARRANTY

Before You Call For Service.....	31
Troubleshooting.....	32-34
Limited Warranty.....	35

PRODUCT REGISTRATION

Thank you for purchasing our BLACK+DECKER product. This easy-to-use manual will guide you in getting the best use of your product.

Remember to record the model and serial numbers. They are on a label on the back of the product.

Staple your receipt to your manual. You will need it to obtain warranty service.

Model number

Serial number

Date of purchase

SAFETY INFORMATION

DANGER

DANGER - Immediate hazards which **WILL** result in severe personal injury or death

WARNING

WARNING - Hazards or unsafe practices which **COULD** result in severe personal injury or death


CAUTION

CAUTION - Hazards or unsafe practices which **COULD** result in minor personal injury

IMPORTANT SAFETY INSTRUCTIONS

WARNING

when using electrical appliances, basic safety precautions should be followed, including the following:
READ ALL INSTRUCTIONS BEFORE USING THE UNIT

 **WARNING:** To reduce the risk of fire, electric shock, or injury to persons when using your appliance, follow basic precautions, including the following:

1. READ ALL INSTRUCTIONS BEFORE USING THE APPLIANCE.
2. Do not wash articles that have been previously cleaned in, washed in, soaked in, or spotted with gasoline, dry-cleaning solvents, or other flammable or explosive substances, as they give off vapors that could ignite or explode.
3. Do not add gasoline, dry-cleaning solvents, or other flammable or explosive substances to the wash water. These substances give off vapors that could ignite or explode.
4. Under certain conditions, hydrogen gas may be produced in a hot-water system that has not been used for 2 weeks or more. **HYDROGEN GAS IS EXPLOSIVE.** If the hot-water system has not been used for such a period, before using a washing machine, turn on all hot-water faucets and let the water flow from each for several minutes. This will release any accumulated hydrogen gas. As the gas is flammable, do not smoke or use an open flame during this time.
5. Always unplug the washing machine from the power supply before attempting any service. Disconnect the power cord by grasping the plug, not the cord.
6. To reduce the risk of fire, any articles that have traces of any flammable substance, such as vegetable oil, cooking oil, petroleum based oils or distillates, waxes, fats, etc., must not be placed in the washing machine. These items may contain flammable substances that, even after washing, may smoke or catch fire.
7. Never place items in the washer that have been dampened with gasoline or any combustible or explosive substance. Do not wash anything that has been soaked in or spotted with any type of oil (including cooking oils). Doing so can result in fire, explosion, or death.
8. Do not allow children to play on or in the appliance. Close supervision is necessary when the appliance is used near children.

SAFETY INFORMATION

9. Pets and kids may climb into the machine. Check the machine before every operation.
10. Glass door or protector may be very hot during operation. Keep kids and pets far away from the machine during operation.
11. This machine is not intended for use by persons (including children) with reduced physical, sensory or mental capabilities, or lack of experience and knowledge, unless they have been given supervision or instruction concerning use of the machine by a person responsible for their safety.
12. Kids should be supervised to ensure that they do not play with the machine.
13. When children become old enough to operate the appliance, it is the legal responsibility of parents or legal guardians to ensure that they are instructed in safe practices by qualified persons.
14. Do not machine wash fiber glass materials (such as curtains and window coverings that use fiber glass materials). Small particles may remain in the washing machine and stick to fabrics in subsequent wash loads causing skin irritation.
15. Before appliance is removed from service or discarded, remove door.
16. Do not reach into the appliance if the tub or agitator is moving.
17. Do not install or store this appliance where it will be exposed to the weather.
18. Do not tamper with controls.
19. Do not repair or replace any part of the appliance or attempt any servicing unless specifically recommended in the user-maintenance instructions or in published user-repair instructions that you understand and have the skills to carry out.
20. Pull out its plug from the power socket before cleaning or maintenance.
21. Make sure that all pockets are emptied from articles of clothing before placing in machine.
22. Sharp and rigid items such as coin, brooch, nail, screw or stone etc. may cause serious damage to this machine.
23. Pull out its plug and cut off water supply after operation.
24. Please check whether the water inside the drum has been drained before opening its door. Please do not open the door if there is any water visible.
25. If the plug (power cord) is damaged, it shall be replaced by the manufacturer or a service agent to avoid any danger.
26. Take care that power voltage and frequency shall be identical to those of washing machine.
27. Do not use any socket with rated current less than that of washing machine. Never pull out power plug with wet hand.
28. To ensure your safety, power cord plug must be inserted into a grounded three pole socket. Check carefully and make sure that your socket is properly and reliably grounded. See page 19 for additional information about grounding.

SAFETY INFORMATION

29. This machine shall be repaired only by an authorized service center and only authentic accessories can be used.
30. An appliance shall be clearly and permanently marked with a warning that the appliance is intended for use only with fabrics that have been washed with water as a cleaning agent.
31. If connected to a circuit protected by fuses, use time-delay fuses with this appliance.
32. Do not use fabric softeners or products to eliminate static unless recommended by the manufacturer of the fabric softener or product.

SAVE THESE INSTRUCTIONS
HOUSEHOLD USE ONLY

SET UP & USE

IMPORTANT INSTALLATION INFORMATION

1. This unit must be properly installed and located according to the installation instructions before it is used.
2. Store and install the washer where it will not be exposed to temperatures below freezing or exposed to outdoor weather conditions. This could damage the unit and void the warranty.
3. The (red) hot water hose should be connected to the (red) hot water inlet and the (blue) cold water hose should be connected to the (blue) cold water inlet.
4. The washer must be plugged into an appropriate outlet that is properly installed and grounded in accordance with all local codes and ordinances. Follow all installation instructions.
5. The unit should be installed on a level floor with a maximum slope of 1" (25 mm) over a 3 ft distance.

WHEN NOT IN USE

Turn off the water supply when the unit is not in use in case of leaking or ruptured hoses. It is recommended to replace the hoses every 5 years.

SET UP & USE

Before First Use

Before washing clothes for the first time, the washing machine should be operated without clothing added.

1. Connect power source and water supply.
2. Put a small amount of detergent into the dispenser and close the dispenser.
3. Close the Door.
4. Select a wash cycle using the dial.
5. Press ON/OFF.
6. Press the Start/Pause button.

NOTE: If water leaks while water is being supplied or drained, check the water connections.

If the washer rocks and vibrates excessively, level your washer again.

During rinse cycle when washer is spinning at a very high speed, some vibration is normal.

NOTE: For best performance do not load the tub more than $\frac{3}{4}$ full of dry clothes. DO NOT OVERLOAD.

QUICK START GUIDE

Default settings can be changed. See USING THE CONTROL PANEL section for more details.

1. Add HE detergent to the detergent dispenser according to detergent manufacturer's instructions. HE detergent pods can be added to the wash tub before adding clothes.
Add optional pre-wash and/or fabric softener to the detergent dispenser.

2. Load clothing, maximum $\frac{3}{4}$ full.

3. Close the Door.

NOTE: Unit will not start with the door open.

4. Press ON/OFF to power on the unit.
5. Turn the selector dial to a cycle such as NORMAL/COTTON.

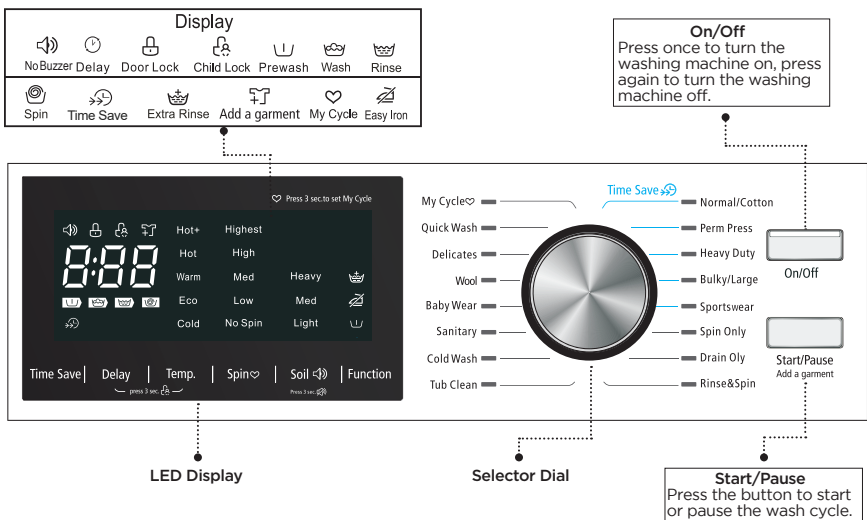
Defaults are set for each wash cycle. These default settings can be changed on the control panel.

6. Press the Start/Pause button.

For more details on cycles and default setting refer to the wash program chart.

SET UP & USE

CONTROL PANEL



SET UP & USE

1. ON/OFF

Press to turn the POWER ON. Press again to turn it OFF.

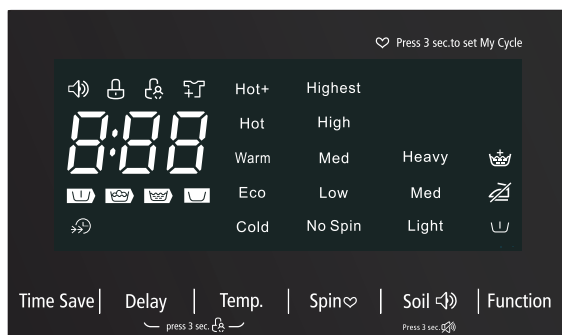
2. Selector Dial

Turn the dial to select the cycle.

Wash Program Chart

My cycle	This is a setting to save a frequently used program. Select the settings you wish to save. Press and hold SPIN for 3 seconds. The ♥ will illuminate on the control panel. Turn the dial to MyCycle to use the saved setting. To change the saved setting to a different program select the new settings. Press and hold SPIN again to save the new settings.											
	Type of clothing	Washer Load (lbs/kgs)	Temperature. Default temperature in bold	Default Time (hours)	Time save	Extra Rinse	Easy Iron	Pre Wash	Delay	Soil Level Default in bold	Spin Speed. Default in bold	
Normal/ Cotton	Cotton or blends with medium soil.	26.4lbs/12kgs	Hot+, Hot , Warm, Eco, Cold	0:55	○	○	○	○	○	Light, Medium , Heavy	Low, Med , High, Highest	
Perm Press	Used to resist wrinkles in washing.	13.2lbs/6kgs	Warm , Eco, Cold	0:57	○	○	○	○	○	Light, Medium , Heavy	Low , Med	
Heavy Duty	Heavy items to be washed in hot temperatures such as towels.	26.4lbs/12kgs	Hot+, Hot , Warm, Eco, Cold	1:40	○	○	○	○	○	Light, Medium , Heavy	Low, Med, High , Highest	
Bulky/Large	Large items such as blankets.	13.2lbs/6kgs	Hot, Warm, Eco , Cold	1:23	○	○	○	○	○	Light, Medium , Heavy	Low, Med, High , Highest	
Sportswear	Removes odor and soil from activewear.	13.2lbs/6kgs	Hot, Warm , Eco, Cold	0:57	○	○	○	○	○	Light, Medium , Heavy	Low, Med, High , Highest	
Spin Only	Extra spin after water has been drained.	26.4lbs/12kgs	--	0:13	--	--	○	--	○	--	Low, Med, High , Highest	
Drain Only	Drains all water from the tub.	26.4lbs/12kgs	--	0:01	--	--	--	--	○	--	--	
Rinse & Spin	Extra Rinse with spin to be used without detergent.	26.4lbs/12kgs	--	0:23	--	--	○	--	○	--	Low, Med, High , Highest	
Tub Clean	Cleans the empty tub.	--	Hot+	1:28	--	--	--	--	○	--	--	
Sanitary	Use for heavily soiled items.	13.2lbs/6kgs	Hot+	2:18	--	○	○	○	○	Light, Medium , Heavy	Low, Med, High , Highest	
Cold Wash	Dark or bright fabrics. Lightly soiled delicates.	26.4lbs/12kgs	Cold	1:09	--	○	○	○	○	Light, Medium , Heavy	Low, Med, High , Highest	
Baby Wear	Longer rinse time to remove detergent residue.	26.4lbs/12kgs	Hot+, Hot , Warm, Eco, Cold	1:37	--	○	○	○	○	Light, Medium , Heavy	Low, Med, High , Highest	
Wool	Wool items labeled as washable.	4.4lbs/2kgs	Warm, Eco , Cold	1:01	--	○	--	--	○	Light, Medium , Heavy	Low, Med , High	
Delicates	Uses lower temperature and low spin speed for delicates suitable for a washing machine.	5.5lbs/2.5kgs	Warm, Eco , Cold	0:58	--	○	--	--	○	Light, Medium , Heavy	Low, Med , High	
Quick Wash	Short wash cycle for small quantity of lightly soiled items.	4.4lbs/2kgs	Hot, Warm , Eco, Cold	0:36	--	--	--	--	○	Light	Low, Med ,	

SET UP & USE



TO CHANGE DEFAULT SETTINGS ON THE LED DISPLAY

The default settings will be illuminated on the control panel.

To change the default temperature, press the Temp button on the control panel repeatedly to scroll through the selections.

To change the spin speed, press Spin button on the control panel repeatedly to scroll through the selections.


To change the Soil level, press the Soil button on the control panel repeatedly to scroll through the selections.

NOTE: Not all options are available for each cycle. Please note cycle chart.

3. Time Display

Indicates remaining cycle time, delay start time and error codes. For each cycle time the display will show the remaining time counting down until it reaches 0:00 indicating the end of the cycle.

4. Time Save

Decreases wash time. When selected, the new cycle time and the  symbol will illuminate on the time display. The amount of time saved, depends on the wash cycle.

5. Delay

To delay the start of your washer up to 24 hours, press the Delay button to activate after the wash cycles have been selected. The number shown on the digital display will indicate when the wash cycle will start. 1 hour will be added to the start time each time you press the Delay button up to 24 hours. Once the delay time has been selected, press Start/Pause to activate.

Pressing the Delay button to exceed 24 hours until the display indicates OH will deactivate the delay function and the display will turn off.

To cancel the Delay Start function after the wash program has started, press On/Off.

NOTE: In case of disruption of power supply while operating the program, Press Start/Pause to resume.

SET UP & USE

6. Temp

Press Temp continuously to scroll through the selections: Hot+, Hot, Warm, Eco, Cold. The selected temperature will be illuminated on the LED Display.

7. Spin

Press Spin continuously to scroll through the selections: Highest, High, Med, Low, No Spin. The selected spin speed will be illuminated on the LED Display.

8. Soil


Press Soil continuously to scroll through the selections: Heavy (For heavily soiled clothes), Med, Light. The selected soil level will be illuminated on the LED Display.

9. Mute

Press the Soil button 3 seconds to mute the buzzer at the end of the cycle. Press again for 3 seconds to unmute the buzzer.

10. Function


Press the Function button continuously to select Prewash, Easy Iron, Extra Rinse functions. The corresponding symbol will illuminate on the LED display to indicate which functions are activated.

Prewash cycle  Prewash

Rinses heavily soiled clothes before the main wash cycle.

Easy Iron  Easy Iron

After the spin cycle, the tub rotates to prevent clothes from sticking to the side of the tub to prevent wrinkles and creasing.

Extra Rinse  Extra Rinse

Add extra rinse time.

11. Child Lock

Use this option to disable the controls except for the ON/OFF. This feature can prevent children from changing cycles. The washer can only be locked during a cycle. To activate this function after starting the washer, press and hold the Delay and Temp buttons at the same time for 3 seconds. There will be an audible sound and the child lock indicator light will turn on. To cancel this function select the Temp and Program buttons again.

12. Press START/PAUSE to start a cycle after all settings are programmed.

Press START/PAUSE to pause a cycle and to add a garment.

Press START/PAUSE for 3 seconds to pause the washer.

To add a Garment

A garment can be added to the load in the beginning of a cycle. Press START/PAUSE, then open the door. Add the item, close the door, and then press the START/PAUSE button again to resume the cycle.

NOTE: A garment can be added when the water level reaches just below the door. Once the water level becomes elevated, the door will not open and should not be forced.

⚠ CAUTION: Do not attempt this function when there is hot water in the tub. The door will not open and should not be forced. Attempting to force the door to open could cause damage to the unit.

SET UP & USE

NOTE: In case of disruption of power supply while operating the program, Press Start/Pause to resume.

USING THE WASHER

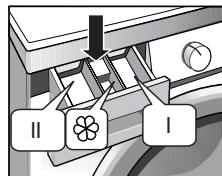
- ⚠ WARNING:** Never insert hands inside washer until drum stops spinning.
 Do not insert any fabric with gasoline, petroleum, benzene, paint thinner, alcohol or any other flammable substances.
 Do not put oil soaked items in the washer.
 Do not attempt to wash items with plastic, foam or rubber.
 Never keep clothing in the tub for long periods of time. This can cause mildew, wrinkling etc.

Detergent

1. This washer is designed for high efficiency (HE) detergent only, to avoid excessive sudsing.
2. Add the manufacturer's recommended amount of detergent directly into the detergent compartment before starting your washer.
3. Always reduce the amount of detergent if the load is small or lightly soiled, or if your water is very soft. Never use more than the maximum amount recommended by the detergent manufacturer.

Detergent Dispenser

1. Pull out the drawer. The high efficiency detergent should be added to the left drawer (II). If using a detergent POD, it can be added directly into the wash tub.
2. Optional prewash detergent should be added to the far right compartment for heavily soiled items (I).
3. Fabric softener (optional) can be used in the middle compartment (⊗).



SET UP & USE

Sorting and Loading

1. Before loading your laundry, be sure to take out coins, keys and other hard objects, and fasten all hooks and zippers.
2. Follow manufacturer's instructions on clothing tag for washing instructions. Sort laundry according to color (light, medium, dark), Fabric type, (delicates, permanent press items) required wash temperature, soil level etc., Washing items that are not color safe can discolor the other items in the load. Mixing colors can cause the dyes to bleed into the other clothes.
3. Items with embroidery or buttons should be turned inside out.
4. Clothes with hooks or zippers can be washed in a mesh bag as to not get caught on other clothing or scratch the drum.
5. Items that produce a lot of lint should be washed separate.
6. Single heavy items can cause the load to be unbalanced. If the washer vibrates and makes loud sound press start/pause to redistribute the load.
7. Do not load more than $\frac{3}{4}$ full of dry clothes.

CLEANING AND CARE

CLEANING AND MAINTENANCE

⚠ WARNING: Unplug the power cord before cleaning any part of the unit.

The washer should be cleaned regularly. Failure to maintain the unit in a clean condition could lead to deterioration of the surface which could adversely affect the life of the appliance. Do not use harsh chemicals or solvents on any part of the machine or pour water or cleaner directly on it.

Cleaning the exterior

Clean with a soft, damp cloth or a mild soap and water solution. Do not use abrasive powders or pads. Do not spray cleaners directly onto the control panel.

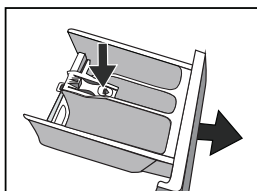
Cleaning the interior

Select the Tub Clean Cycle and operate the washer without any laundry loaded. 1 cup of bleach can be added directly into the tub. Tub cleaning tablets or powder can be used according to manufacturer's instructions.

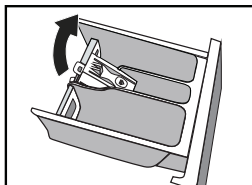
Metal objects (safety pins, hair pins, etc.) in the tub may scratch the surface of the tub and cause it to rust. If rust appears on the surface of the tub, apply a neutral cleansing agent to the surface and use a sponge to clean it. Never use a metal brush or scouring pad to clean.

Cleaning Detergent Dispenser

1. Open the Detergent dispenser and press down as shown by the arrow.

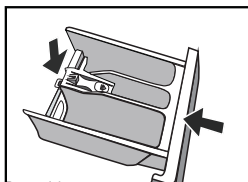


2. Lift up the clip and remove the cover.



3. Rinse with water.

4. Replace the cover and push the dispenser back to its original position.



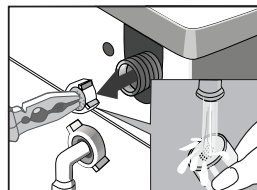
CLEANING AND CARE

Cleaning the Inlet Filter

Shut off the water supply and disconnect the inlet hose. Pull out the filter with pliers, removing as shown. Clean the filter and reinstall it.

Reconnect the inlet hose.

Turn on the water supply and make sure there is no water leakage.



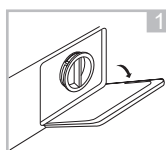
Drain Pump Filter:

The drain pump filter collects lint and small items so it does not pass through the drain. It should be cleaned approximately once a month depending on frequency of use.

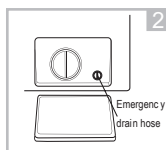
If the washer does not empty or spin properly or if it makes an unusual noise during draining, there may be an obstruction.

⚠ WARNING: The drain pump filter should not be accessed while the unit is operating or cycle has just been completed. There may be hot water in the pump. Allow time for water to cool before access.

NOTE: To avoid spills, place a tray underneath the compartment.



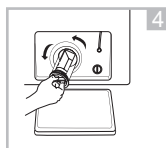
1 To access the drain pump filter, open the compartment on the bottom right of the machine.



2 Turn the cap 90° and pull out the small hose.



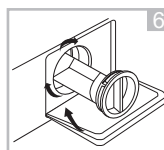
3 Drain the water from the small hose into a container (not included).



4 Remove the pump filter by turning it counterclockwise to remove it.



5 Remove debris. Rinse off the pump filter.

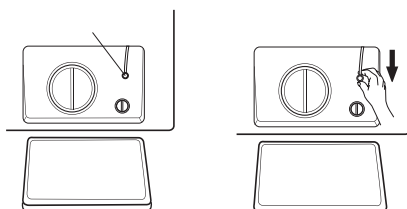


6 Reinsert the pump filter and close the compartment.

CLEANING AND CARE

Washer Door:

The washer door cannot be opened if there is a power failure. If it is necessary to open the door, use the pull cord in the lower right compartment. Replace the pull cord in the original position after opening the door.



⚠ WARNING: Do not use this pull cord during the wash cycle.

STORAGE:

Do not store the washer in any area that it can be exposed to outdoor weather or cold temperatures that would cause pipes to freeze.

For long term storage, or if washer will not be used for a long period of time, disconnect the power supply. Disconnect all the hoses and drain. Clean inside of the unit and keep door open until dried thoroughly. Clean all filters.

INSTALLATION INSTRUCTIONS

INSTALLATION WARNINGS AND PRECAUTIONS

WARNING:

1. Plug the power cord into an AC 120V/60Hz wall socket rated at 15 amps or higher. Use the socket for this washer only.
2. Do not use an extension cord.
 - Sharing a wall socket with another appliance, using a power strip, or extending the power cord may result in electric shock or fire.
 - Do not use an electric transformer. It may result in electric shock or fire.
 - Ensure that the power voltage, frequency, and current match the product's specifications. Failing to do so may result in electric shock or fire.
3. Have this appliance installed by a qualified technician or service company.
 - Failing to do so may result in electric shock, fire, explosion, problems with the product, or injury.
4. Remove all foreign substances such as dust or water from the power plug terminals and contact points using a dry cloth on a regular basis.
 - Unplug the power plug and clean it with a dry cloth.
 - Failing to do so may result in electric shock or fire.
5. Plug the power plug into the wall socket firmly. Do not use a damaged power plug, or loosen wall socket.
 - This may result in electric shock or fire.
6. Do not pull or excessively bend the power cord.
7. Do not twist or tie the power cord.
8. Do not hook the power cord over a metal object, place a heavy object on the power cord, insert the power cord between objects, or push the power cord into the space behind the appliance.
 - This may result in electric shock or fire.
9. Do not pull the power cord when unplugging the power plug.
 - Unplug the power plug by holding the plug.
 - Failing to do so may result in electric shock or fire.
10. If the power plug or power cord are damaged, contact your nearest service center.
11. Do not install this appliance near a heater or inflammable material.
12. Do not install this appliance in a humid, oily, or dusty location, or in a location exposed to direct sunlight or water (rain drops).
13. Do not install this appliance in a location where gas may leak.
 - This may result in electric shock or fire.
14. If the washer is moved to a new location, have it checked and re-installed by a qualified service technician.
 - Failing to follow this warning may result in electric shock or fire.

INSTALLATION INSTRUCTIONS

WARNING:

15. Do not install on carpet. Install washer on a level and solid floor that can support its weight.
 - Failing to do so may result in abnormal vibrations, noise, or problems with the product.
16. The washer is heavy. Two or more people may be needed to install and move the appliance.
 - Failing to do so may result in bodily or other injuries.
17. Store and install the washer where it will not be exposed to temperatures below freezing or exposed to outdoor weather conditions.
 - Failing to do so may result in serious leak damage.
18. Position the appliance so that the power plug is easily accessible.
 - Failing to do so may result in electric shock or fire due to electric leakage.
19. To reduce the risk of injury to persons, adhere to all industry recommended safety instructions.
 - Failing to follow all of the safety warnings in this manual may result in property damage, or injury to persons.

INSTALLATION INSTRUCTIONS

GROUNDING INSTRUCTIONS

WARNING

Improper use of the grounding plug can result in a risk of electric shock.

Consult a qualified electrician or serviceman if:

- 1) The grounding instructions are not completely understood.
- 2) You are unsure that the appliance is properly grounded.
- 3) You have any questions about the grounding or electrical instructions.


WARNING


Improper connection of the equipment-grounding conductor can result in a risk of electric shock. Check with a qualified electrician or serviceman if you are in doubt as to whether the appliance is properly grounded.


Do not modify the plug provided with the appliance - if it will not fit the outlet, have a proper outlet installed by a qualified electrician.

Electrical grounding is required for this washer.

This appliance must be grounded. In the event of malfunction or breakdown, grounding will reduce the risk of electric shock by providing a path of least resistance for electric current. This appliance is equipped with a power cord having a three prong grounding plug for use in a properly installed and grounded outlet. The plug must be plugged into an appropriate outlet that is properly installed and grounded in accordance with all local codes and ordinances.

 WARNING: An improperly connected equipment-grounding conductor can increase the risk of electrical shock. Check with a qualified electrician or serviceman if you are not sure whether the appliance is properly grounded. Do not modify the plug provided with the appliance. If it does not fit the outlet, have a proper outlet installed by a qualified electrician. To prevent unnecessary risk of fire, electrical shock or personal injury, all wiring and grounding must be done in accordance with the National Electrical Code ANSI/FNPA, No.70 Latest Revision and local codes and ordinances. It is the personal responsibility of the appliance owner to provide adequate electrical service for this appliance. Never connect the ground wire to plastic plumbing lines, gas lines, or hot water pipes.

 WARNING: Certain internal parts are intentionally not grounded and may present a risk of electric shock only during servicing.
Service Personnel: Do not make contact the following parts while the appliance is energized: Electrical Valve, Drain Pump, Door or Lock.

 WARNING: The maximum current through the unit is 12A when you are using its heating function. Make sure the power supply system (current, voltage and wire) can meet the normal loading requirements of the electrical appliances.

INSTALLATION INSTRUCTIONS

USAGE AND MAINTENANCE WARNINGS

WARNING:

1. If the appliance is flooded, cut the power immediately and contact your nearest service center.
2. If the appliance emits a strange noise, a burning smell, or smoke, unplug the power plug immediately and contact your nearest service center.
 - Failing to do so may result in electric shock or fire.
3. In the event of a gas leak (such as propane gas, LP gas, etc.), ventilate the area immediately. Do not turn any appliance or light on or off.
 - Do not use a ventilating fan.
 - A spark may result in an explosion or fire.
4. Do not wash items contaminated with gasoline, kerosene, benzene, paint thinner, alcohol, dry cleaning detergent or other flammable or explosive substances.
 - This may result in electric shock, fire, or an explosion.
5. Do not force the washer door open while the washer is operating (high temperature washing/spinning).
 - Water flowing out of the washer may cause burns or cause the floor to be slippery. This may result in injury.
 - Forcing the door open can damage the product or cause injury.
6. Make sure to remove the packaging (sponge, styrofoam) attached to the bottom of the washer and also remove the (4) transport bolts before using the machine.
7. Do not insert your hand or a metal object under the washer.
 - This may result in injury.
8. Do not attempt to operate this appliance if it is damaged, malfunctioning, partially disassembled, or has missing or broken parts, including a damaged cord or plug.
 - This may result in electric shock, fire or death.
9. Do not touch the power plug with wet hands.
 - This may result in electric shock.
10. Do not turn the appliance off by unplugging the power plug while the washer is in operation.
 - Plugging the power plug into the wall socket again may cause a spark and result in electric shock or fire.
11. Keep all packaging material well out of the reach of children, as packaging materials can be dangerous to children.
 - To avoid danger of suffocation, keep out of reach of babies and children.

INSTALLATION INSTRUCTIONS

WARNING:

12. Do not let children or infirm persons use this washer unsupervised.
 - Failing to do so may result in electric shock, burns or injury.
13. Do not attempt to repair, disassemble, or modify the appliance yourself.
 - Do not use any fuse (such as cooper, steel wire, etc.) other than the standard fuse.
 - If you need to repair or reinstall the appliance, contact your nearest service center.
 - Failing to do so may result in electric shock, fire, problems with the product, or injury.
14. If any foreign substance such as water enters the appliance in any area other than the tub, unplug the power plug and contact your nearest service center.
 - Failing to do so may result in electric shock or fire.
15. If the water supply hose comes loose from the faucet and floods the appliance, unplug the power plug.
 - Failing to do so may result in electric shock or fire.
16. Do not mix chlorine bleach with ammonia or acids such as vinegar.
 - Incorrect usage can produce poisonous gas, resulting in serious injury.
17. Do not reach into the washer while parts are moving. Before loading, unloading, or adding items, press the START/PAUSE button and allow the basket to come to complete stop before reaching inside.
 - Failing to do so may result in electric shock, injury or fire.
18. Do not allow children to play on or in the washer. Close supervision of children is necessary when the washer is used near children. As children grow, teach them the proper, safe use of all appliances.
 - Failing to do so may result in serious injury to persons.
19. Keep laundry products out of children's reach. Observe all warnings on product labels and follow instructions.
 - Failing to do so may result in serious injury to persons.
20. Disconnect this appliance from the power supply before attempting any user maintenance. Turning the controls to the OFF position does not disconnect this appliance from the power supply.
 - Failing to do so may result in electric shock, injury or fire.
21. Do not clean the appliance by spraying water directly onto it.
22. Do not use benzene, thinner, or alcohol to clean the appliance.
 - This may result in discoloration, deformation, damage, electric shock or fire.
23. Make sure children do not climb or sit on the unit.
24. Do not lean against the door.
25. Do not modify the plug provided with the appliance.
 - If it will not fit the outlet, have a proper outlet installed by a qualified electrician.

INSTALLATION INSTRUCTIONS

USAGE AND MAINTENANCE WARNINGS

WARNING:

1. Unplug the power plug when the appliance is not being used for long periods of time or during a thunder/lightning storm.
 - Failing to do so may result in electric shock or fire.
2. Keep hands and foreign objects clear of the door and latch area when closing the door.
 - Failing to do so may result in personal injury.
3. If the washer is contaminated by a foreign substance such as detergent, dirt, food waste, etc., unplug the power plug and clean the washer with a damp, soft cloth.
 - Failing to do so may result in discoloration, deformation, damage or rust.
4. The clear portion of the door can be broken by a strong impact. Take care when using the washer.
 - If the clear portion is cracked or broken, it may result in injury.
5. After a water supply failure or when reconnecting the water supply hose, open the faucet slowly.
6. Open the faucet slowly after a long period of non-use.
 - The air pressure in the water supply hose or the water pipe may result in damage to a part or in water leakage.
7. If a drain error occurs during an operation, check if there is a draining problem.
 - If the washer is used when it is flooded because of a draining problem, it may result in electric shock or fire due to electric leakage.
8. Do not insert your hand or a metal object under the washer.
 - This may result in injury.
9. Insert the laundry into the washer completely so that laundry does not get caught in the door.
 - If laundry gets caught in the door, it may result in damage to the laundry or the washer, or result in water leakage.
10. Ensure that the faucet is turned off when the washer is not being used.
 - Ensure that the water supply hose connectors are properly tightened.
 - Failing to do so may result in property damage or injury.
11. Open the faucet and check if the water supply hose connector is firmly tightened and that there is no water leaking before using the product.
 - If the water supply hose connectors are loose, it may result in water leakage.
12. Do not stand on top of the appliance or place objects (such as laundry, lighted candles, lighted cigarettes, dishes, chemicals, metal objects, etc.) on the appliance.
 - This may result in electric shock, fire, problems with the product, or injury.
13. Do not operate the appliance with wet hands.
 - This may result in electric shock.
14. Do not spray volatile material such as insecticide onto the surface of the appliance.
 - As well as being harmful to humans, it may also result in electric shock, fire, or problems with the product.

INSTALLATION INSTRUCTIONS

WARNING:

15. Do not place an object that generates an electromagnetic field near the washer.
 - This may result in injury due to a malfunction.
16. Since the water drained during a high temperature wash is hot, do not touch the water.
 - This may result in burns or injury.
17. Do not wash, or spin, water-proof seats, mats, or clothing.
 - Do not wash thick, hard mats even if the washer mark is on the care label.
 - This may result in injury or damage to the washer, walls, floor, or clothing due to abnormal vibrations.
18. Do not operate the washer when detergent dispenser is removed.
 - This may result in electric shock or injury due to water leakage.
19. Do not insert your hand into the detergent dispenser after opening it.
 - This may result in injury as your hand may be caught.
20. Do not place any non-laundry objects, such as shoes, food waste, or animals into the washer.
 - This can cause abnormal vibrations that can damage the washer, and, in the case of pets, cause severe injury or death.
21. Do not press the buttons using sharp objects such as pins, knives, fingernails, etc.
 - This may result in electric shock or injury.
22. Do not wash laundry contaminated by oils, creams, or lotions usually found in skincare shops or massage clinics.
 - This may result in the rubber seal becoming deformed and cause water leakage.
23. Ensure that the water inlet pipe is connected and the tap is opened before washing clothes.
24. Do not leave metal objects (safety pins, hair pins, etc.) or bleach in the tub for long periods of time.
 - This may cause the tub to rust.
 - If rust appears on the surface of the tub, apply a neutral cleansing agent to the surface and use a sponge to clean it. Never use a metal brush.
25. Do not use hot water from water cooling/heating devices.
 - This may result in problems with the washer.
26. Do not use natural hand-washing soap in the washer.
 - If it hardens and accumulates inside the washer, it may cause problems with the product, discoloration, rust, or bad odors.
27. Do not wash large laundry items such as bedding in the washing net.
 - Failing to do so may result in injury due to abnormal vibrations.
 - Place smaller items, such as lace socks and lingerie in the washing net.
28. Do not use hardened detergent.
 - If it accumulates inside the washer, it may result in water leakage.
29. Do not wash throw rugs or doormats.
 - If you wash throw rugs or doormats, the sand will accumulate inside the washer.
 - It may result in error such as no draining.
30. Do not close the door with excessive force.
31. Do not overfill the unit. Make sure the clothes are distributed well.

INSTALLATION INSTRUCTIONS

TRANSPORTING THE MACHINE

1. Transport bolts need to be reinstalled to the machine prior to moving to avoid damage to the unit.
2. Accumulated water should be drained out of the machine prior to moving.
3. Handle the machine carefully. The door can not be used as the handle while moving the unit.

UNPACKING AND REMOVING SHIPPING MATERIAL

Remove the packing box and lift the washer up and away from the foam base. Open the door to remove the accessories.

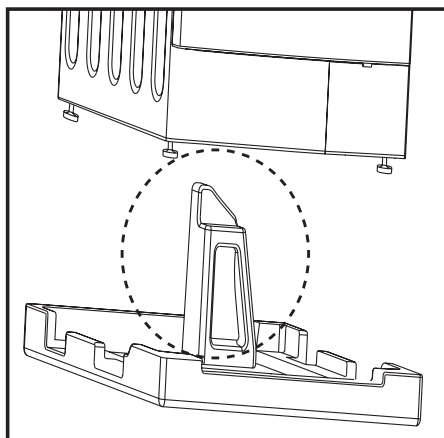
NOTE: The washer should be unpacked by 2 or more people due to the weight.

Remove the packing box and lift the washer up and away from the foam base. Open the door to remove the accessories.

Lay the unit down on its side to make sure all the small foam triangular pieces are removed from the bottom of the unit.

▲ WARNING: Packaging materials can be dangerous to children; Keep all packaging material (plastic bags, polystyrene, etc.) well out of children's reach.

▲ CAUTION: Do not operate this appliance on the foam base. It should be placed on a level floor.

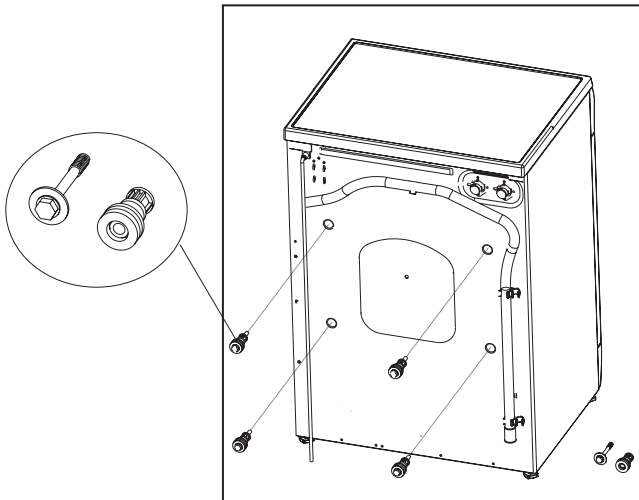


INSTALLATION INSTRUCTIONS

REMOVING THE TRANSPORT BOLTS

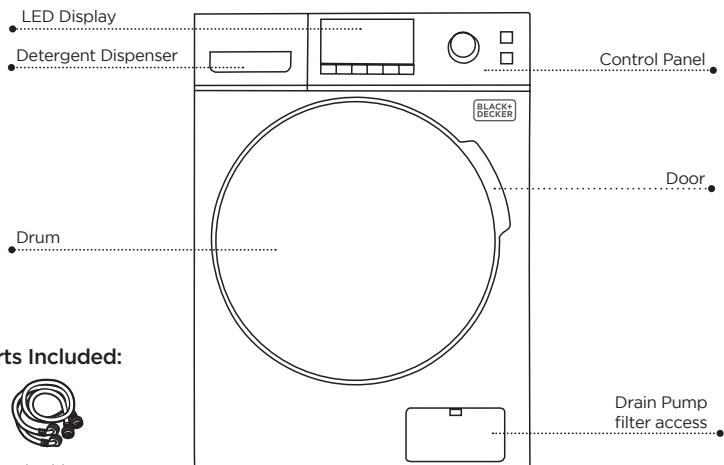
Before using this washing machine, the transport bolts must be removed from the back of this machine.

1. Loosen all bolts with a wrench to remove.
2. Cover the holes with provided transport hole plugs.
3. Keep the transport bolts in a safe place for future use. If the unit needs to be transported at any time, the transport bolts should be reinserted to avoid damage to the unit.



INSTALLATION INSTRUCTIONS

PARTS & FEATURES



Parts Included:



Hot and cold water Inlet Hoses



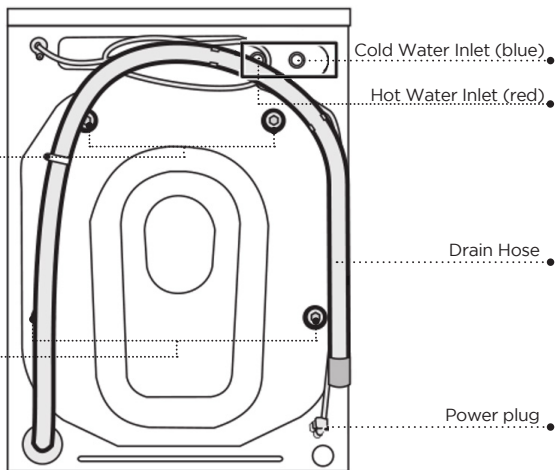
Transport Hole Plugs

U Bracket



Transport Bolts

Transport Bolts



INSTALLATION INSTRUCTIONS

TOOLS NEEDED



Adjustable wrench



Channel-lock adjustable pliers



Level

Siphon break kit, additional hoses or other parts could be purchased separately depending on selected drainage method. Please check your local hardware store.

CHOOSE THE PROPER LOCATION

FLOORING

For best performance, you must install your washer on a rigid, dry and level surface. Wood floors may need to be reinforced to minimize vibration and/or unbalanced load situations.

- Carpeting and soft tile surfaces are contributing factors to vibration which can cause your washer to move slightly during the spin cycle.

⚠ WARNING: Do not install your washer in areas where water may freeze, since your washer will always retain some water in its water valve, pump, and hose areas. Frozen water can damage the belts, the pump, hoses, and other components. Never install on a platform or weakly supported structure.

The unit should be installed on a level floor with a maximum slope of 1" (25mm) over a 3 ft distance.

ELECTRIC

Use 120Volt 60Hz 15 or 20 Amps fuse or circuit breaker. Individual branch circuit serving only your washer is recommended.

The washer should be located near a grounded electrical outlet located within 6 ft. (1.8m) of where the power cord is attached to the back of the washer. See "Electrical Requirements."

⚠ WARNING: Never use an extension cord.

INSTALLATION INSTRUCTIONS

WATER SUPPLY

To correctly fill your washer in the proper amount of time, water pressure of 20 to 100 psi (100 to 500kPa) is required. Water pressure less than 20psi may cause water valve failure, or may not allow the water valve to shut off completely, or may extend the fill time beyond what your washer controls allow, causing your washer to turn off and indicate an error. A time limit is built into the controls to prevent flooding in your home if a hose becomes loose.

The water faucet must be within 4 feet/122cm of the back of your washer to match the inlet hoses provided with your washer.

A water heater should be set to deliver 120°F (49°C) water to the washer.

To avoid the possibility of water damage:

- Have water faucets easily accessible.
- Periodically check that there is no leakage from the water inlet hose fittings.

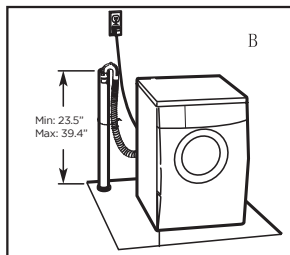
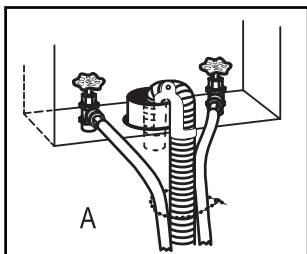
DRAINING

The drain hose is connected to the bottom side of the unit. The other end of the hose should be positioned using one of the following methods:

Standpipe

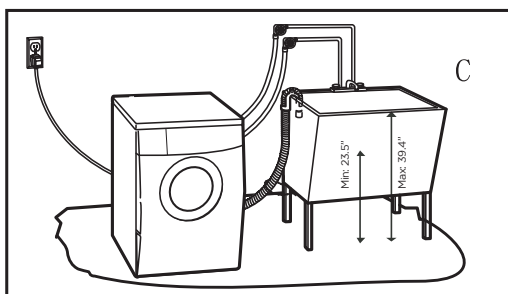
The standpipe must be no shorter than 23.5" (60cm) and no taller than 39" (100cm) from the bottom of the washer.

The drain hose must be routed through the drain hose clip to the standpipe. The standpipe must be large enough to accept the outside diameter of the drain hose.



Sink

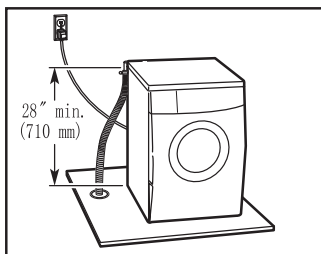
The top of the sink must be no shorter than 23.5" (60cm). The capacity of the sink should be a minimum of 20 gallons (76L).



INSTALLATION INSTRUCTIONS

Floor Drain

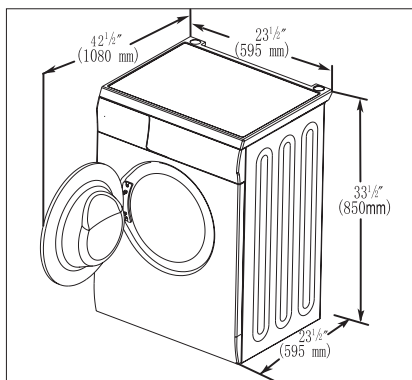
A siphon break kit can be purchased separately from your local hardware store to drain the water to the floor. The siphon break must be a minimum of 28" (710 mm) from the bottom of the washer.



INSTALLATION CLEARANCES

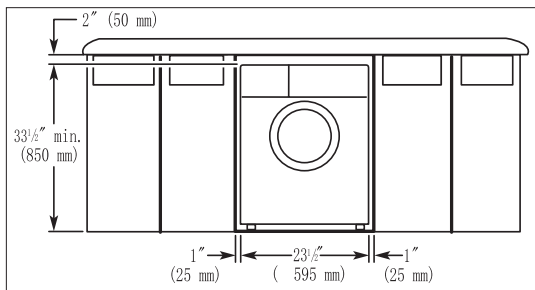
The location must be large enough to allow the washer door to be fully opened. The door opens more than 90° and it is not reversible.

Additional spacing of approximately 1" (25mm) on all sides of the washer is recommended to reduce noise and vibration.



CLEARANCE REQUIRED FOR BUILT-IN APPLICATION

Location and clearance should be considered for ease of installation and servicing.

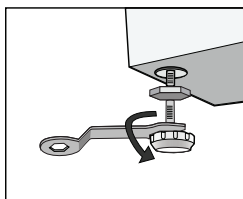


INSTALLATION INSTRUCTIONS

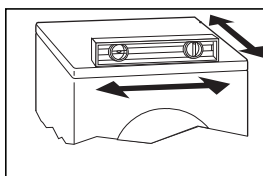
Leveling the Washer

When moving the unit to the final location make sure the leveling legs are positioned close to the washer and not extended to avoid damage to the leveling legs.

The leveling legs can be adjusted by turning them to raise or lower the leg with an adjustable wrench (not included).



After positioning the unit at its final location, it should not rock when pressing down on the top corners of the unit. A leveler can also be used. If the unit is not stable, the leveling legs should be adjusted to stabilize.



All 4 leveling legs should be pressed firmly into the ground, and the unit should be completely stable before operating the washer.

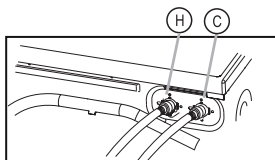
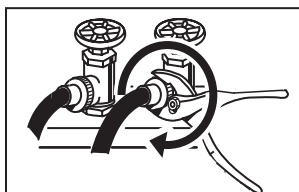
Connecting the Inlet Hoses

Connect (blue) inlet hose to the cold water supply. Turn clockwise to tighten.

Connect the other end of hose inlet of the cold water supply to the (blue) inlet valve on the back of the unit marked C by turning clockwise to tighten.

Connect the (red) inlet hose to the hot water supply. Turn clockwise to tighten.

Connect the other end of hose inlet of the hot water supply to the (red) inlet valve on the back of the unit marked H by turning clockwise to tighten.



Turn on the water supply to make sure there is no leak in the connections. If any leakage occurs, tighten the connection by turning clockwise.

TROUBLESHOOTING & WARRANTY

BEFORE YOU CALL FOR SERVICE

IF THE UNIT FAILS TO OPERATE:

- A) Check to make sure that the unit is plugged in securely. If it is not, remove the plug from the outlet, wait 10 seconds and plug it in again securely.
- B) Check for a blown circuit fuse or a tripped main circuit breaker. If these seem to be operating properly, test the outlet with another appliance.

IF NONE OF THE ABOVE SOLVES THE PROBLEM, CONTACT OUR CUSTOMER SATISFACTION CENTER. DO NOT TRY TO ADJUST OR REPAIR YOURSELF.

IMPORTANT

DO NOT RETURN THIS PRODUCT TO THE STORE

If you have a problem with this product, please contact the BLACK+DECKER Customer Satisfaction Center at 844-299-0879.

**DATED PROOF OF PURCHASE, MODEL # AND SERIAL #
REQUIRED FOR WARRANTY SERVICE.**

TROUBLESHOOTING & WARRANTY

TROUBLESHOOTING

Troubleshoot your problem by using the chart below. If the unit still does not work properly, contact W Appliance Co. customer service center or the nearest authorized service center. Customer must never troubleshoot internal components.

SYMPTOMS	POSSIBLE CAUSE	SOLUTIONS
Washer will not start	<p>Door may not be closed tightly.</p> <p>Power plug may not be inserted.</p> <p>Water supply tap may not be opened.</p> <p>“On/Off” may not be pressed.</p> <p>“Start/Pause” may be pressed.</p>	<p>Close the door tightly.</p> <p>Make sure the power plug is inserted well.</p> <p>Open the water supply tap.</p> <p>Press “On/Off”.</p> <p>Check if the “Start/Pause” button is pressed. If so press the button again to start.</p>
Door Cannot be opened	Washer’s safety protection design is working.	Disconnect the power, restart the machine
Thumping sound	<p>Heavy wash loads may produce a thumping sound.</p> <p>Washer load may be out of balance.</p>	<p>This is normal.</p> <p>If sound continues, washer is probably out of balance. Stop and redistribute wash load.</p> <p>Pause the cycle and redistribute the load.</p>
Vibrating noise	<p>Packaging materials were not removed.</p> <p>Wash load may be unevenly distributed in the tub.</p> <p>Not all leveling feet are resting firmly and evenly on the floor.</p> <p>Floor not level/rigid enough.</p>	<p>See the UNPACKING AND REMOVING SHIPPING MATERIAL section in the installation instructions.</p> <p>Pause the cycle and redistribute the load.</p> <p>See Leveling the Washer in the Installation Instructions.</p> <p>Make sure that the floor is solid and does not flex. See Flooring in the Installation Requirements.</p>
Rattling and clanking noise	Foreign objects, such as keys, coins, or safety pins, may be in tub or pump.	<p>Stop washer, check tub and drain filter for foreign objects.</p> <p>If noise continues after washer is restarted, call for service.</p>

TROUBLESHOOTING & WARRANTY

SYMPTOMS	POSSIBLE CAUSE	SOLUTIONS
Excessive suds	Too much detergent or incorrect detergent.	HE detergents are formulated specifically for High-Efficiency washers and contain suds reducing agents. Only use detergent with the High-Efficiency (HE) logo.
Water leaking	Inlet hose connection is loose at faucet or washer. Drain hoses are clogged. Drain pipe has come out of drain or is not inserted far enough.	Check hoses for leaks, cracks and splits. Check and tighten hose connections. The washer pumps out water very rapidly. Check for water backing up out of the drain pipe during drain. If water is seen coming out of the drain, check for proper drain hose installation and check for restrictions in the drain. Contact a plumber to repair drain pipe. Tie drain hose to inlet hose or standpipe to prevent it from unfastening. For smaller drain pipes, insert the drain hose into the pipe as far as the drain hose flange. For larger drain pipes, insert the drain hose into the pipe 1"-2" past the flange . Stop the washer and check the load.
Wrinkling	Washer not unloaded promptly. Washer overloaded. Hot and cold water inlet hoses are reversed.	Always remove items from the washer as soon as the cycle is complete. The tub should not be tightly packed with items. Hot water rinse can set wrinkles in garments. Check the inlet hose.
Stains on fabrics	Washer was not unloaded promptly. Clothes were not properly sorted.	Always remove items from the washer as soon as possible after the cycle is complete. Always wash dark colors separately from light colors and whites to prevent discoloration. Never wash heavily soiled items with lightly soiled items.

TROUBLESHOOTING & WARRANTY

SYMPTOMS	POSSIBLE CAUSE	SOLUTIONS
Musty or mildew odor in washer	Inside of tub was not cleaned properly.	Run the Tub Clean cycle with bleach once a month to clean tub and remove any mold from inside washer.
The machine does not drain or spin properly	Something is blocking the pump.	Disconnect the power, make sure fabric is not stuck, Restart the machine.
Error Code E30	Door is not closed properly.	Check and clean the pump filter.
Error Code E10	This indicates an issue with water filling into the machine.	Make sure the water pressure is not too low. Make sure no kinks in the hoses. Make sure the inlet valve is not blocked.
Error Code E21	Water is draining slowly.	Make sure the drain hose is not blocked.
Error Code E12	Water overflow	Restart the washer.
Error Code EXX	Other	Restart the washer, if error remains, contact customer service.

LIMITED WARRANTY

Any repair, replacement, or warranty service, and all questions about this product should be directed to W Appliance Co. at **844-299-0879** from the USA or Puerto Rico.

W Appliance Co. warrants to the original purchaser that the product will be free from defects in material, parts and workmanship for the period designated for this product. The warranty commences the day the product is purchased and covers up to a period of **1 year (12 months) for labor/1 year (12 months) for parts (manufacturing defects only)**.

W Appliance Co. agrees that it will, at its option, replace the defective product with either a new or remanufactured unit equivalent to your original purchase during the warranty period.

Exclusions: This warranty does not apply to the below:

1. If the appearance or exterior of the product has been damaged or defaced, altered or modified in design or construction.
2. If the product original serial number has been altered or removed or cannot be readily determined.
3. If there is damaged due to power line surge, user damage to the AC power cord or connection to improper voltage source.
4. If damage is due to general misuse, accidents or acts of God.
5. If repair attempts are done by unauthorized service agents, use of parts other than genuine parts or parts obtained from persons other than authorized service companies.
6. On units that have been transferred from the original owner.
7. On products that have been purchased as refurbished, like new, second-hand, in a "As-Is" or "Final Sale" terms.
8. To products used in a commercial or rental setting.
9. To products used in settings other than ordinary household use or used other than in accordance with the provided instructions.
10. To damages for service calls for improper installations.
11. Transportation and shipping costs associated with the replacement of the unit.
12. Service calls to instruct you how to use your product.
13. Service calls to repair or replace the house fuse, reset the circuit breaker or correct the wiring in the house.

REPAIR OR REPLACEMENT AS PROVIDED UNDER THIS WARRANTY IS THE EXCLUSIVE REMEDY OF THE CUSTOMER; W Appliance Co.. SHALL NOT BE LIABLE FOR ANY INCIDENTAL OR CONSEQUENTIAL DAMAGES FOR BREACH OF ANY EXPRESS OR IMPLIED WARRANTY ON THIS PRODUCT, EXCEPT TO THE EXTENT PROHIBITED BY APPLICABLE LAW. ANY IMPLIED WARRANTY OF MERCHANTABILITY OF FITNESS FOR A PARTICULAR PURPOSE ON THIS PRODUCT IS LIMITED TO THE DURATION OF THE WARRANTY.

Some states do not allow the exclusion or limitations of incidental or consequential damages, or limitations on how long the warranty lasts. In these cases the above exclusions or limitations may not apply to you. This warranty gives you specific legal rights and you may also have other rights which vary from state to state.

Obtaining Service: To obtain service, product literature, supplies or accessories please call **844-299-0879** to create a ticket for exchange/repair. Please make sure to provide the date of purchase, model number and a brief description of the problem. Our customer service representative will contact you or send detailed return instructions.

W Appliance Co. does not warrant that the appliance will work properly in all environmental conditions, and makes no warranty and representation, either implied or expressed, with respect to the quality, performance, merchantability, or fitness for a particular purpose other than the purpose identified within this user's manual. W Appliance Co. has made every effort to ensure that this user's manual is accurate and disclaims liability for any inaccuracies or omissions that may have occurred. Information in this user's manual is subject to change without notice and does not represent a commitment on the part of W Appliance Co. W Appliance Co. reserves the right to make improvements to this user's manual and/or to the products described in this user's manual at any time without notice. If you find information in this manual that is incorrect, misleading, or incomplete, please contact us at **844-299-0879**.

W Appliance Co.
1356 Broadway
New York, NY 10018

BLACK & DECKER, BLACK+DECKER, the BLACK & DECKER and BLACK+DECKER logos and product names and the orange and black color scheme are trademarks of The Black & Decker Corporation, used under license. All rights reserved.

Product in this box may differ slightly from that pictured. Does not affect function. Not all accessories shown in photography are included in this package.

Imported by W Appliance, Inc., 1356 Broadway, New York, NY 10018

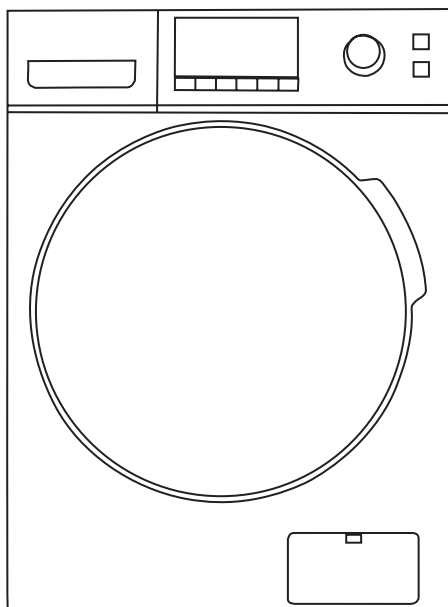
BLACK+[®] DECKER

**LAVEUSE À CHARGE
FRONTAL 2.7 PI. CU.**

MANUEL D'INSTRUCTIONS

NUMÉRO DE CATALOGUE

BFLW27MW



Merci d'avoir choisi BLACK+DECKER !

**VEUILLEZ LIRE AVANT DE RETOURNER CE PRODUIT POUR
UNE RAISON QUELCONQUE.**

Si vous avez une question ou avez un problème avec votre achat
BLACK+DECKER, allez sur www.blackanddecker.com/instantanswers.

Si vous ne trouvez pas la réponse ou n'avez pas accès à l'internet, appelez
le 844-299-0879 de 10 h 30 à 18 h 30 HNE du lundi au vendredi pour parler
avec un agent. Veuillez avoir le numéro de catalogue disponible quand vous
appelez.

GARDEZ CE MANUEL POUR RÉFÉRENCE FUTURE.

TABLE DES MATIÈRES

INFORMATION SUR LA SÉCURITÉ

Consignes de Sécurité Importantes	39-41
Informations Importantes sur l'Installation.....	42

CONFIGURATION ET UTILISATION

Avant la Première Utilisation.....	43
Guide de Démarrage Rapide	43
Panneau de Commande.....	44-48
Utilisation de la Laveuse.....	48-49

NETTOYAGE ET ENTRETIEN

Nettoyage et Entretien.....	50-52
-----------------------------	-------

INSTRUCTIONS D'INSTALLATION

Avertissements et Précautions d'Installation.....	53-54
Instructions de Mise À La Terre.....	55
Précaution d'Utilisation et d'Entretien	56-57
Avertissements 'Utilisation et d'Entretien	58-59
Transporter la Machine	60
Retrait des Boulons De Transport.....	61
Pièces et Caractéristiques.....	62
Outils Nécessaires	63
Choisissez le Bon Emplacement.....	63-66

DÉPANNAGE ET GARANTIE

Avant d'Appeler le Service.....	67
Dépannage.....	68-70
Garantie Limitée	71

ENREGISTREMENT DU PRODUIT

Merci d'avoir acheté notre produit BLACK+DECKER. Ce manuel facile à utiliser vous guidera pour tirer le meilleur parti de votre produit.

N'oubliez pas d'enregistrer les numéros de modèle et de série. Ils sont sur une étiquette à l'arrière du produit.

Agrafez votre reçu à votre manuel. Vous en aurez besoin pour obtenir le service de garantie.

Numéro de modèle

Numéro de série

Date d'achat

INFORMATION SUR LA SÉCURITÉ

DANGER

DANGER - Les dangers immédiats qui **VONT** entraîner des blessures graves ou la mort

AVERTISSEMENT

AVERTISSEMENT - Les dangers ou pratiques dangereuses qui **POURRAIENT** entraîner des blessures graves ou la mort

ATTENTION


ATTENTION - Les dangers ou pratiques dangereuses qui **POURRAIENT** entraîner des blessures mineures

CONSIGNES DE SÉCURITÉ IMPORTANTES

AVERTISSEMENT

lors de l'utilisation d'appareils électriques, des précautions de sécurité de base doivent être suivies, y compris les suivantes:

LIRE TOUTES LES INSTRUCTIONS AVANT D'UTILISER L'APPAREIL

 AVERTISSEMENT: Pour réduire le risque d'incendie, de choc électrique ou de blessure lors de l'utilisation de votre appareil, suivez les précautions de base, y compris les suivantes:

1. LISEZ TOUTES LES INSTRUCTIONS AVANT D'UTILISER L'APPAREIL.
2. Ne lavez pas les articles qui ont été préalablement nettoyés, lavés, trempés ou tachés d'essence, de solvants de nettoyage à sec ou d'autres substances inflammables ou explosives, car ils dégagent des vapeurs qui pourraient s'enflammer ou exploser.
3. N'ajoutez pas d'essence, de solvants de nettoyage à sec ou d'autres substances inflammables ou explosives à l'eau de lavage. Ces substances dégagent des vapeurs qui pourraient s'enflammer ou exploser.
4. Dans certaines conditions, de l'hydrogène gazeux peut être produit dans un système d'eau chaude qui n'a pas été utilisé pendant 2 semaines ou plus. LE GAZ HYDROGÈNE EST EXPLOSIF. Si le système d'eau chaude n'a pas été utilisé pendant une telle période, avant d'utiliser une laveuse, ouvrez tous les robinets d'eau chaude et laissez couler l'eau de chacun pendant plusieurs minutes. Cela libérera tout hydrogène gazeux accumulé. Le gaz étant inflammable, ne fumez pas et n'utilisez pas de flamme nue pendant ce temps.
5. Débranchez toujours la laveuse de l'alimentation électrique avant de tenter un service. Débranchez le cordon d'alimentation en saisissant la fiche et non le cordon.
6. Afin de réduire les risques d'incendie, tout article présentant des traces de toute substance inflammable, comme de l'huile végétale, de l'huile de cuisson, des huiles ou distillats à base de pétrole, des cires, des graisses, etc., ne doit pas être placé dans la laveuse. Ces articles peuvent contenir des substances inflammables qui, même après lavage, peuvent fumer ou prendre feu.
7. Ne placez jamais dans la laveuse des articles qui ont été humidifiés avec de l'essence ou toute substance combustible ou explosive. Ne lavez rien qui a été trempé ou taché avec n'importe quel type d'huile (y compris les huiles de cuisson). Cela peut entraîner un incendie, une explosion ou la mort.

INFORMATION SUR LA SÉCURITÉ

8. Ne laissez pas les enfants jouer sur ou dans l'appareil. Une surveillance étroite est nécessaire quand l'appareil est utilisé à proximité d'enfants.
9. Les animaux et les enfants peuvent grimper dans la machine. Vérifiez la machine avant chaque opération.
10. La porte vitrée ou le protecteur peut être très chaud pendant le fonctionnement. Gardez les enfants et les animaux loin de la machine pendant le fonctionnement.
11. Cette machine n'est pas destinée à être utilisée par des personnes (y compris des enfants) ayant des capacités physiques, sensorielles ou mentales réduites, ou un manque d'expérience et de connaissances, à moins qu'elles n'aient reçu une supervision ou des instructions concernant l'utilisation de la machine par une personne responsable de leur sécurité.
12. Les enfants doivent être surveillés pour s'assurer qu'ils ne jouent pas avec la machine.
13. Quand les enfants deviennent assez grands pour utiliser l'appareil, c'est la responsabilité légale des parents ou des tuteurs légaux de s'assurer qu'ils sont instruits sur les pratiques sûres par des personnes qualifiées.
14. Ne pas laver à la machine les matériaux en fibre de verre (comme les rideaux et les couvre-fenêtres qui utilisent des matériaux en fibre de verre). De petites particules peuvent rester dans la laveuse et coller aux tissus lors des lavages ultérieurs, provoquant une irritation de la peau.
15. Avant que l'appareil ne soit enlevé du service ou mis au rebut, enlevez la porte.
16. Ne pas mettre la main dans l'appareil si la cuve ou l'agitateur est en mouvement.
17. N'installez pas et ne rangez pas cet appareil dans un endroit où il sera exposé aux intempéries.
18. Ne pas altérer les commandes.
19. Ne réparez ni ne remplacez aucune pièce de l'appareil et ne tentez aucun entretien, à moins que cela ne soit spécifiquement recommandé dans les instructions d'entretien par l'utilisateur ou dans les instructions de réparation par l'utilisateur publiées que vous comprenez et avez les compétences nécessaires pour effectuer.
20. Enlevez la fiche de la prise de courant avant le nettoyage ou l'entretien.
21. Assurez-vous que toutes les poches sont vidées des vêtements avant de les placer dans la machine.
22. Les objets pointus et rigides comme les pièces de monnaie, les broches, les clous, les vis ou les pierres, etc. peuvent causer de graves dommages à cette machine.
23. Enlevez la fiche et coupez l'alimentation en eau après utilisation.
24. Veuillez vérifier si l'eau à l'intérieur du tambour a été vidangée avant d'ouvrir sa porte. Veuillez ne pas ouvrir la porte s'il y a de l'eau visible.
25. Si la fiche (cordon d'alimentation) est endommagée, elle doit être remplacée par le fabricant ou un agent de service pour éviter tout danger.

INFORMATION SUR LA SÉCURITÉ

26. Veillez à ce que la tension et la fréquence d'alimentation soient identiques à celles de la laveuse.
27. N'utilisez pas de prise avec un courant nominal inférieur à celui de la laveuse. Ne débranchez jamais la prise d'alimentation avec les mains mouillées.
28. Pour assurer votre sécurité, la fiche du cordon d'alimentation doit être insérée dans une prise tripolaire mise à la terre. Vérifiez soigneusement et assurez-vous que votre prise est correctement et fiablement mise à la terre. Voir page 19 pour plus d'informations sur la mise à la terre.
29. Cette machine doit être réparée uniquement par un centre de service agréé et seuls des accessoires authentiques peuvent être utilisés.
30. Un appareil doit être marqué de façon claire et permanente avec un avertissement indiquant que l'appareil est destiné à être utilisé uniquement avec des tissus qui ont été lavés avec de l'eau comme agent de nettoyage.
31. S'il est connecté à un circuit protégé par des fusibles, utilisez des fusibles temporisés avec cet appareil.
32. N'utilisez pas d'adoucissants ou de produits pour éliminer l'électricité statique à moins que cela ne soit recommandé par le fabricant de l'assouplissant ou du produit.

**GARDEZ CES INSTRUCTIONS
USAGE MÉNAGER UNIQUEMENT**

CONFIGURATION ET UTILISATION

INFORMATIONS IMPORTANTES SUR L'INSTALLATION

1. Cet appareil doit être correctement installé et placé conformément aux instructions d'installation avant d'être utilisé.
2. Rangez et installez la laveuse à un endroit où elle ne sera pas exposée à des températures inférieures au point de congélation ou exposées aux conditions météorologiques extérieures. Cela pourrait endommager l'appareil et annuler la garantie.
3. Le boyau d'eau chaude (rouge) doit être connecté à l'entrée d'eau chaude (rouge) et le boyau d'eau froide (bleu) doit être connecté à l'entrée d'eau froide (bleu).
4. La laveuse doit être branchée dans une prise appropriée qui est correctement installée et mise à la terre conformément à tous les codes et ordonnances locaux. Suivez toutes les instructions d'installation.
5. L'unité doit être installée sur un plancher de niveau avec une pente maximale de 1 po (25 mm) sur une distance de 3 pi.

LORSQU'IL N'EST PAS UTILISÉ

Coupez l'alimentation en eau quand l'appareil n'est pas utilisé en cas de fuite ou de rupture des boyaux. Il est recommandé de remplacer les boyaux tous les 5 ans.

CONFIGURATION ET UTILISATION

Avant la Première Utilisation

Avant de laver des vêtements pour la première fois, la laveuse doit être opérée sans vêtements ajoutés.

1. Connectez la source d'alimentation et l'alimentation en eau.
2. Mettez une petite quantité de détergent dans le distributeur et fermez le distributeur.
3. Fermez la Porte.
4. Sélectionnez un cycle de lavage à l'aide du cadran.
5. Appuyez sur MARCHE/ARRÊT.
6. Appuyez sur le bouton Départ/Pause.

REMARQUE: En cas de fuite d'eau lors de l'alimentation ou de la vidange, vérifiez les raccords d'eau.

Si la laveuse oscille et vibre excessivement, nivelez à nouveau votre laveuse.

Pendant le cycle de rinçage quand la laveuse essore à très grande vitesse, certaines vibrations sont normales.

REMARQUE: Pour des performances optimales, ne remplissez pas la cuve plus des $\frac{3}{4}$ de vêtements secs. NE PAS SURCHARGER

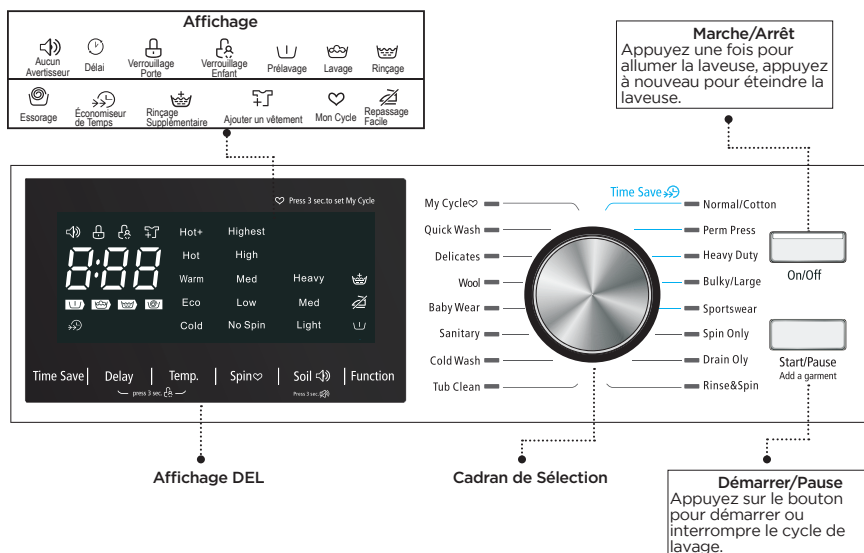
GUIDE DE DÉMARRAGE RAPIDE

Les réglages par défaut peuvent être modifiés. Voir la section UTILISATION DU PANNEAU DE COMMANDE pour plus de détails.

1. Ajoutez du détergent HE dans le distributeur de détergent conformément aux instructions du fabricant du détergent. Les dosettes de détergent HE peuvent être ajoutées à la cuve de lavage avant d'ajouter les vêtements. Ajoutez un pré-lavage et/ou un assouplissant en option dans le distributeur de détergent.
2. **Chargez les vêtements, maximum $\frac{3}{4}$ plein.**
3. Fermez la Porte.
REMARQUE: L'unité ne démarre pas avec la porte ouverte.
4. Appuyez sur MARCHE/ARRÊT pour allumer l'appareil.
5. Tournez le sélecteur sur un cycle comme NORMAL/COTON. Les valeurs par défaut sont réglées pour chaque cycle de lavage. Ces réglages par défaut peuvent être modifiés sur le panneau de commande.
6. Appuyez sur le bouton Départ/Pause. Pour plus de détails sur les cycles et réglages par défaut, reportez-vous au tableau des programmes de lavage.

CONFIGURATION ET UTILISATION

PANNEAU DE COMMANDE



CONFIGURATION ET UTILISATION


1. MARCHE/ARRÊT

Appuyez pour allumer l'appareil. Appuyez à nouveau pour l'éteindre.

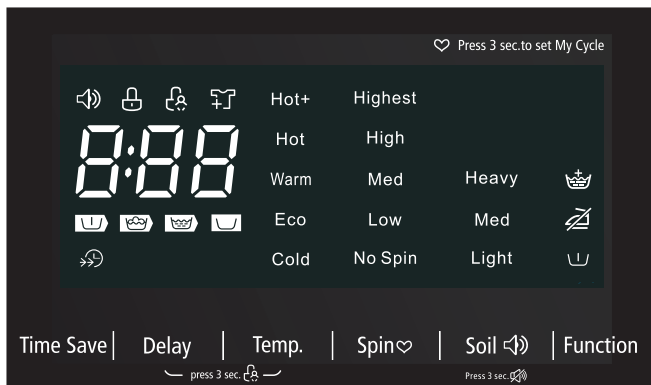
2. Cadran de Sélection

Tournezle cadran pour sélectionner le cycle.

Tableau des Programmes De Lavage

Mon Cycle	Il s'agit d'un réglage pour enregistrer un programme fréquemment utilisé. Sélectionnez les réglages que vous souhaitez enregistrer. Appuyez et maintenez SPIN pendant 3 secondes. Le  s'allumera sur le panneau de commande. Tournez la molette sur MyCycle pour utiliser le réglage enregistré. Pour changer le réglage enregistré en un programme différent, sélectionnez les nouveaux réglages. Appuyez et maintenez à nouveau SPIN pour enregistrer les nouveaux réglages.										
	Type de vêtement	Washer Load (lbs/kg)	Température Température par défaut en gras	Temps Par Défaut (heures)	Économiseur de Temps	Rincage Supplémentaire	Repassage Facile	Pré Lavage	Délai	Niveau de Saleté Défaut en gras	Vitesse d'essorage. Par défaut en gras
Normal/Coton	Coton ou mélanges avec saleté moyenne.	26.4lbs/12kgs	Chaud+, Chaud, Tiède, Eco, Froid	0:55	○	○	○	○	○	Léger Moyen, Lourd	Bas, Moyen Haut, Plus haut.
Presse Permanente	Utilisé pour résister aux plis au lavage.	13.2lbs/6kgs	Tiède, Eco, Froid	0:57	○	○	○	○	○	Léger Moyen, Lourd	Bas, Moyen Haut, Plus haut.
Service Lourd	Articles lourds à laver à haute température comme les serviettes.	26.4lbs/12kgs	Chaud+, Chaud, Tiède, Eco, Froid	1:40	○	○	○	○	○	Léger Moyen, Lourd	Bas, Moyen Haut, Plus haut.
Encombrant/ Grand	Les gros objets comme les couvertures.	13.2lbs/6kgs	Chaud, Tiède, Eco, Froid	1:23	○	○	○	○	○	Léger Moyen, Lourd	Bas, Moyen Haut, Plus haut.
Vêtements De Sport	Élimine les odeurs et la saleté des vêtements de sport.	13.2lbs/6kgs	Chaud, Tiède, Eco, Froid	0:57	○	○	○	○	○	Léger Moyen, Lourd	Bas, Moyen Haut, Plus haut.
Essorage Seulement	Essorage supplémentaire après la vidange de l'eau.	26.4lbs/12kgs	--	0:13	--	--	○	--	○	--	Bas, Moyen Haut, Plus haut.
Vidange Seulement	Vidange toute l'eau de la cuve.	26.4lbs/12kgs	--	0:01	--	--	--	--	○	--	--
Rincer et Essorer	Rincage Supplémentaire avec essorage à utiliser sans détergent.	26.4lbs/12kgs	--	0:23	--	--	○	--	○	--	Bas, Moyen Haut, Plus haut.
Nettoyage de la Cuve	Nettoie la cuve vide.	--	Chaud+	1:28	--	--	--	--	○	--	--
Sanitaire	À utiliser pour les articles très sales.	13.2lbs/6kgs	Chaud+	2:18	--	○	○	○	○	Léger Moyen, Lourd	Bas, Moyen Haut, Plus haut.
Lavage à Froid	Tissus foncés ou clairs. Délicat légèrement sale.	26.4lbs/12kgs	Froid	1:09	--	○	○	○	○	Léger Moyen, Lourd	Bas, Moyen Haut, Plus haut.
Vêtements pour Bébé	Temps de rincage plus long pour éliminer les résidus de détergent.	26.4lbs/12kgs	Chaud+, Chaud, Eco, Froid	1:37	--	○	○	○	○	Léger Moyen, Lourd	Bas, Moyen Haut, Plus haut.
Laine	Articles en laine étiquetés comme lavables.	4.4lbs/2kgs	Tiède, Eco, Froid	1:01	--	○	--	--	○	Léger Moyen, Lourd	Bas, Moyen Fortement
Délicat	Utilise une température plus basse et une faible vitesse d'essorage pour les articles délicats adaptés à une lavasse.	5.5lbs/2.5kgs	Tiède, Eco, Froid	0:58	--	○	--	--	○	Léger Moyen, Lourd	Bas, Moyen, Fortement
Lavage Rapide	Cycle de lavage court pour une petite quantité d'articles, peu sales.	4.4lbs/2kgs	Chaud, Tiède, Eco, Froid	0:36	--	--	--	--	○	Léger	Bas, Moyen

CONFIGURATION ET UTILISATION



POUR CHANGER LES RÉGLAGES PAR DÉFAUT SUR L'ÉCRAN DEL

Les réglages par défaut seront illuminés sur le panneau de commande.

Pour changer la température par défaut, appuyez plusieurs fois sur le bouton Temp du panneau de commande pour faire défiler les sélections.

Pour changer la vitesse d'essorage, appuyez plusieurs fois sur le bouton Essorage du panneau de commande pour faire défiler les sélections.

Pour changer le niveau de saleté, appuyez plusieurs fois sur le bouton Soil du panneau de commande pour faire défiler les sélections.

REMARQUE: Toutes les options ne sont pas disponibles pour chaque cycle. Veuillez noter le tableau des cycles.

3. Affichage du Temps

Indique le temps de cycle restant, l'heure de départ différé et les codes d'erreur. Pour chaque cycle l'écran affichera le temps restant jusqu'à ce qu'il atteigne 0:00 indiquant la fin du cycle.

4. Économiseur de Temps

Diminue le temps de lavage. Une fois sélectionné, le nouveau temps de cycle et le symbole s'allumeront sur l'affichage du temps. Le temps économisé dépend du cycle de lavage.

5. Délai

Pour retarder le démarrage de votre laveuse jusqu'à 24 heures, appuyez sur le bouton Delay pour l'activer une fois que les cycles de lavage ont été sélectionnés. Le nombre affiché sur l'affichage numérique indiquera quand le cycle de lavage commencera. 1 heure sera ajoutée à l'heure de début chaque fois que vous appuyez sur le bouton Delay jusqu'à 24 heures. Une fois le délai sélectionné, appuyez sur Démarrer/Pause pour l'activer.

Appuyer sur le bouton Delay pour dépasser 24 heures jusqu'à ce que l'affichage indique 0H désactivera la fonction de délai et l'affichage s'éteindra.

Pour annuler la fonction Delay Start après le démarrage du programme de lavage, appuyez sur Marche/Arrêt.

REMARQUE: En cas de coupure de courant pendant le fonctionnement du programme, appuyez sur Démarrer/Pause pour reprendre.

CONFIGURATION ET UTILISATION

6. Température

Appuyez sur Temp en continu pour faire défiler les sélections: Chaud+, Chaud, Tiède, Eco, Froid. La température sélectionnée s'allumera sur l'écran DEL.

7. Essorage

Appuyez sur Spin en continu pour faire défiler les sélections: Plus Haut, Haut, Moyen, Bas, Aucun. La vitesse d'essorage sélectionnée s'allumera sur l'écran DEL.

8. Saleté

Appuyez sur Soil en continu pour faire défiler les sélections: Lourd (pour les vêtements très sales), Moyen, Léger. Le niveau de saleté sélectionné sera illuminé sur l'écran DEL.

9. Muet

Appuyez sur le bouton Soil 3 secondes pour couper la sonnerie à la fin du cycle. Appuyez à nouveau pendant 3 secondes pour réactiver la sonnerie.

10. Fonction

Appuyez sur le bouton Fonction en continu pour sélectionner les fonctions Prélavage, Repassage Facile, Rinçage Supplémentaire. Le symbole correspondant s'allumera sur l'écran DEL pour indiquer quelles fonctions sont activées.

Cycle de prélavage Prewash

Rince les vêtements très sales avant le cycle de lavage principal.

Repassage Facile Easy Iron

Après le cycle d'essorage, la cuve tourne pour empêcher les vêtements de coller sur le côté de la cuve afin d'éviter les plis et les plis.

Rinçage Supplémentaire Extra Rinse

Ajoutez du temps de rinçage supplémentaire.

11. Verrouillage Enfant

Utilisez cette option pour désactiver les commandes à l'exception de MARCHÉ/ ARRÊT. Cette fonction peut empêcher les enfants de changer de cycle. La laveuse ne peut être verrouillée que pendant un cycle. Pour activer cette fonction après le démarrage de la laveuse, maintenez enfoncés les boutons Delay et Temp en même temps pendant 3 secondes. Il y aura un son audible et le voyant de verrouillage enfant s'allumera. Pour annuler cette fonction, sélectionnez à nouveau les boutons Temp et Program.

12. Appuyez sur DÉMARRER/PAUSE pour démarrer un cycle une fois tous les réglages programmés.

Appuyez sur DÉMARRER/PAUSE pour mettre un cycle en pause et ajouter un vêtement.

Appuyez sur DÉMARRER/PAUSE pendant 3 secondes pour mettre la laveuse en pause.

Pour ajouter un Vêtement

Un vêtement peut être ajouté à la charge au début d'un cycle. Appuyez sur DÉMARRER/PAUSE, puis ouvrez la porte. Ajoutez l'article, fermez la porte, puis appuyez à nouveau sur le bouton DÉMARRER/PAUSE pour reprendre le cycle.

REMARQUE: Un vêtement peut être ajouté quand le niveau d'eau atteint juste en dessous de la porte. Une fois que le niveau de l'eau devient élevé, la porte ne s'ouvrira pas et ne devrait pas être forcée.

CONFIGURATION ET UTILISATION

⚠ ATTENTION: N'essayez pas cette fonction lorsqu'il y a de l'eau chaude dans la cuve. La porte ne s'ouvrira pas et ne doit pas être forcée. Tenter de forcer la porte à s'ouvrir pourrait endommager l'appareil.

REMARQUE: En cas de coupure de courant pendant l'exécution du programme, appuyez sur Démarrer/Pause pour le reprendre.

UTILISATION DE LA LAVEUSE

⚠ ATTENTION:

N'insérez jamais les mains dans la laveuse jusqu'à ce que le tambour arrête de tourner. N'insérez aucun tissu contenant de l'essence, du pétrole, du benzène, du diluant pour peinture, de l'alcool ou toute autre substance inflammable.

Ne mettez pas d'articles imbibés d'huile dans la laveuse.

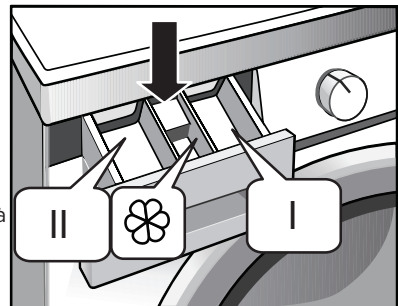
N'essayez pas de laver des articles avec du plastique, de la mousse ou du caoutchouc. Ne gardez jamais de vêtements dans la cuve pendant de longues périodes. Cela peut causer de la moisissure, des plis, etc.

Détergent

1. Cette laveuse est conçue pour un détergent à haute efficacité (HE) uniquement, afin d'éviter un excès de mousse.
2. Ajoutez la quantité de détergent recommandée par le fabricant directement dans le compartiment à détergent avant de démarrer votre laveuse.
3. Réduisez toujours la quantité de détergent si la charge est petite ou légèrement sale, ou si votre eau est très douce. N'utilisez jamais plus que la quantité maximale recommandée par le fabricant de détergent.

Distributeur de détergent

1. Sortez le tiroir. Le détergent à haute efficacité doit être ajouté dans le tiroir de gauche (II). Si vous utilisez un détergent POD, il peut être ajouté directement dans la cuve de lavage.
2. Le détergent de pré-lavage en option doit être ajouté dans le compartiment le plus à droite pour les articles très sales (I).
3. Un assouplissant (en option) peut être utilisé dans le compartiment central (⊗).



CONFIGURATION ET UTILISATION

Tri et Chargement

1. Avant de charger votre linge, assurez-vous d'enlever les pièces de monnaie, les clés et autres objets durs, et attachez tous les crochets et fermetures à glissière.
2. Suivez les instructions du fabricant sur l'étiquette du vêtement pour les instructions de lavage. Triez le linge selon la couleur (pâle, moyen, foncé), du type de tissu (articles délicats, à pressage permanent), de la température de lavage requise, du niveau de saleté, etc. Le mélange des couleurs peut faire couler les colorants dans les autres vêtements.
3. Les articles avec des broderies ou boutons doivent être retournés.
4. Les vêtements avec des crochets ou des fermetures à glissière peuvent être lavés dans un sac en filet pour ne pas se coincer dans d'autres vêtements ou rayer le tambour.
5. Les articles qui produisent beaucoup de peluches doivent être lavés séparément.
6. Des objets lourds simples peuvent entraîner un déséquilibre de la charge. Si la laveuse vibre et émet un son fort, appuyez sur démarrer/pause pour redistribuer la charge.
7. Ne chargez pas plus des $\frac{3}{4}$ de vêtements secs.

NETTOYAGE ET ENTRETIEN

NETTOYAGE ET MAINTENANCE

⚠ ATTENTION:

Débranchez le cordon d'alimentation avant de nettoyer toute partie de l'unité. La laveuse doit être nettoyée régulièrement. Le fait de ne pas maintenir l'appareil dans un état de propreté pourrait entraîner une détérioration de la surface qui pourrait nuire à la durée de vie de l'appareil. N'utilisez pas de produits chimiques agressifs ou de solvants sur aucune partie de la machine et ne versez pas d'eau ou de nettoyant directement dessus.

Nettoyer l'extérieur

Nettoyez avec un chiffon doux et humide ou une solution d'eau et de savon doux. Ne pas utiliser de poudres ou de tampons abrasifs. Ne vaporisez pas de nettoyeurs directement sur le panneau de commande.

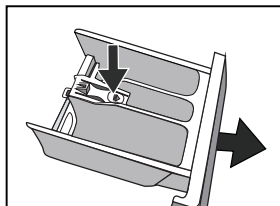
Nettoyage de l'intérieur

Sélectionnez le Cycle de Nettoyage de Cuve et faites fonctionner la laveuse sans aucun linge chargé. 1 tasse d'eau de Javel peut être ajoutée directement dans la cuve. Des pastilles ou de la poudre de nettoyage de cuve peuvent être utilisées conformément aux instructions du fabricant.

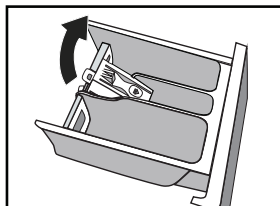
Les objets métalliques (épingles de sécurité, épingles à cheveux, etc.) dans la cuve peuvent rayer la surface de la cuve et la faire rouiller. Si de la rouille apparaît à la surface de la cuve, appliquez un agent nettoyant neutre sur la surface et utilisez une éponge pour la nettoyer. N'utilisez jamais de brosse métallique ou de tampon à récurer pour nettoyer.

Nettoyage du Distributeur de Détergent

1. Ouvrez le distributeur de détergent et appuyez comme indiqué par la flèche.

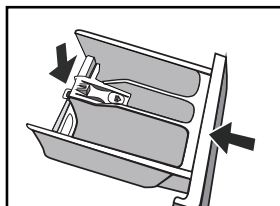


2. Soulevez le clip et enlevez le couvercle.



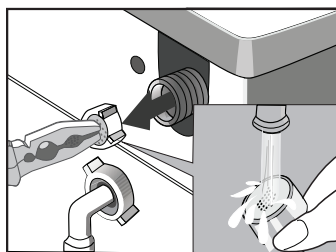
3. Rincez à l'eau.

4. Remplacez le couvercle et repoussez le distributeur dans sa position d'origine.



NETTOYAGE ET ENTRETIEN

Nettoyage du Filtre d'Admission



Coupez l'alimentation en eau et débranchez le boyau d'arrivée d'eau.
 Enlevez le filtre avec une pince, en l'enlevant comme indiqué. Nettoyez le filtre et réinstallez-le.
 Rebranchez le boyau d'arrivée.
 Ouvrez l'alimentation en eau et assurez-vous qu'il n'y a pas de fuite d'eau.

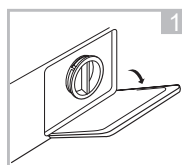
Filtre de la Pompe de Vidange:

Le filtre de la pompe de vidange recueille les peluches et petits objets afin qu'ils ne passent pas par le drain. Il doit être nettoyé environ une fois par mois selon la fréquence d'utilisation.

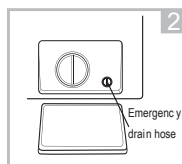
Si la laveuse ne se vide pas ou n'essore pas correctement ou si elle fait un bruit inhabituel lors de la vidange, il peut y avoir une obstruction.

⚠ AVERTISSEMENT: Le filtre de la pompe de vidange ne doit pas être accédé quand l'unité fonctionne ou que le cycle vient de se terminer. Il peut y avoir de l'eau chaude dans la pompe. Attendez que l'eau refroidisse avant d'y accéder.

REMARQUE: Pour éviter les déversements, placez un plateau sous le compartiment.



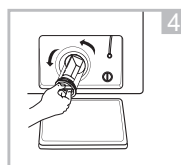
1 Pour accéder au filtre de la pompe de vidange, ouvrez le compartiment en bas à droite de la machine.



2 Tournez le capuchon de 90° et enlevez le petit boyau.



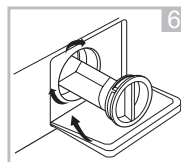
3 Vidangez l'eau du petit boyau dans un récipient (non inclus).



4 Enlevez le filtre de la pompe en le tournant dans le sens antihoraire pour le enlever.



5 Enlevez les débris. Rincez le filtre de la pompe.

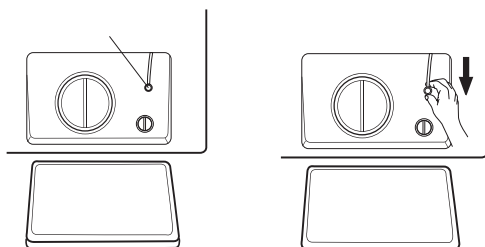


6 Réinsérez le filtre de la pompe et fermez le compartiment.

NETTOYAGE ET ENTRETIEN

Porte de la Laveuse:

La porte de la laveuse ne peut pas être ouverte en cas de panne de courant. S'il est nécessaire d'ouvrir la porte, utilisez la tirette dans le compartiment inférieur droit. Remettez la tirette dans sa position d'origine après avoir ouvert la porte.



⚠ AVERTISSEMENT: N'utilisez pas cette tirette pendant le cycle de lavage.

ENTREPOSAGE:

Ne rangez pas la laveuse dans un endroit où elle peut être exposée aux intempéries ou à des températures froides qui pourraient faire geler les boyaux.

Pour un rangement à long terme, ou si la laveuse n'est pas utilisée pendant une longue période, débranchez l'alimentation électrique. Débranchez tous les boyaux et vidangez. Nettoyez l'intérieur de l'appareil et laissez la porte ouverte jusqu'à ce qu'elle soit complètement sèche. Nettoyez tous les filtres.

INSTRUCTIONS D'INSTALLATION

AVERTISSEMENTS ET PRÉCAUTIONS D'INSTALLATION

▲ AVERTISSEMENT:

1. Branchez le cordon d'alimentation dans une prise murale CA 120V/60Hz évaluée à 15 ampères ou plus. Utilisez la prise pour cette laveuse uniquement.
2. N'utilisez pas de rallonge.
 - Le partage d'une prise murale avec un autre appareil, l'utilisation d'une multiprise ou l'extension du cordon d'alimentation peut provoquer un choc électrique ou un incendie.
 - Ne pas utiliser de transformateur électrique. Cela pourrait provoquer un choc électrique ou un incendie.
 - Assurez-vous que la tension d'alimentation, la fréquence et le courant correspondent aux spécifications du produit. Ne pas le faire peut entraîner un choc électrique ou un incendie.
3. Faites installer cet appareil par un technicien qualifié ou une compagnie de service.
 - Le non-respect de cette consigne peut entraîner un choc électrique, un incendie, une explosion, des problèmes avec le produit ou des blessures.
4. Enlevez régulièrement toutes les substances étrangères comme la poussière ou l'eau des bornes de la prise d'alimentation et des points de contact à l'aide d'un chiffon sec.
 - Débranchez la prise d'alimentation et nettoyez-la avec un chiffon sec.
 - Le non-respect de cette consigne peut entraîner un choc électrique ou un incendie.
5. Branchez fermement la fiche d'alimentation dans la prise murale. N'utilisez pas de fiche d'alimentation endommagée et ne desserrez pas la prise murale.
 - Cela peut entraîner un choc électrique ou un incendie.
6. Ne tirez pas et ne pliez pas excessivement le cordon d'alimentation.
7. Ne tordez pas et n'attachez pas le cordon d'alimentation.
8. N'accrochez pas le cordon d'alimentation à un objet métallique, ne placez pas d'objet lourd sur le cordon d'alimentation, n'insérez pas le cordon d'alimentation entre des objets ou ne poussez pas le cordon d'alimentation dans l'espace derrière l'appareil.
 - Cela peut entraîner un choc électrique ou un incendie.
9. Ne tirez pas sur le cordon d'alimentation quand vous débranchez la prise d'alimentation.
 - Débranchez la prise d'alimentation en la tenant.
 - Le non-respect de cette consigne peut entraîner un choc électrique ou un incendie.
10. Si la fiche d'alimentation ou le cordon d'alimentation sont endommagés, contactez votre centre de service le plus proche.

INSTRUCTIONS D'INSTALLATION

AVERTISSEMENT:

11. N'installez pas cet appareil à proximité d'une chauffette ou d'un matériau inflammable.
12. N'installez pas cet appareil dans un endroit humide, huileux ou poussiéreux, ou dans un endroit exposé à la lumière directe du soleil ou à l'eau (gouttes de pluie).
13. N'installez pas cet appareil dans un endroit où le gaz peut fuir.
- Cela peut entraîner un choc électrique ou un incendie.
14. Si la laveuse est déplacée vers un nouvel emplacement, faites-la vérifier et réinstaller par un technicien de service qualifié.
- Le non-respect de cet avertissement peut entraîner un choc électrique ou un incendie.
15. Ne pas installer sur un tapis. Installez la laveuse sur un plancher plat et solide qui peut supporter son poids.
- Ne pas le faire peut entraîner des vibrations anormales, du bruit ou des problèmes avec le produit.
16. La laveuse est lourde. Deux personnes ou plus peuvent être nécessaires pour installer et déplacer l'appareil.
- Le non-respect de cette consigne peut entraîner des blessures corporelles ou autres.
17. Rangez et installez la laveuse à un endroit où elle ne sera pas exposée à des températures inférieures au point de congélation ou exposée aux conditions météorologiques extérieures.
- Le non-respect de cette consigne peut entraîner de graves dommages dus aux fuites.
18. Positionnez l'appareil de façon à ce que la prise d'alimentation soit facilement accessible.
- Le non-respect de cette consigne peut entraîner un choc électrique ou un incendie à cause d'une fuite électrique.
19. Pour réduire le risque de blessures corporelles, respectez toutes les consignes de sécurité recommandées par l'industrie.
- Le non-respect de tous les avertissements de sécurité de ce manuel peut entraîner des dommages matériels ou des blessures corporelles.

INSTRUCTIONS D'INSTALLATION

INSTRUCTIONS DE MISE À LA TERRE

ATTENTION

Une mauvaise utilisation de la prise de terre peut entraîner un risque de choc électrique.

Consultez un électricien ou un technicien qualifié si:

- 1) Les instructions de mise à la terre ne sont pas complètement comprises.
- 2) Vous n'êtes pas sûr que l'appareil soit correctement mis à la terre.
- 3) Vous avez des questions sur la mise à la terre ou les instructions électriques.

ATTENTION

Une mauvaise connexion du conducteur de mise à la terre de l'équipement peut entraîner un risque de choc électrique. Vérifiez auprès d'un électricien ou d'un technicien qualifié si vous avez des doutes sur la mise à la terre de l'appareil.

Ne modifiez pas la fiche fournie avec l'appareil - si elle ne s'adapte pas à la prise, faites installer une prise appropriée par un électricien qualifié.

Une mise à la terre électrique est requise pour cette laveuse.

Cet appareil doit être mis à la terre. En cas de mauvais fonctionnement ou de panne, la mise à la terre réduira le risque de choc électrique en fournissant un chemin de moindre résistance pour le courant électrique. Cet appareil est équipé d'un cordon d'alimentation doté d'une fiche de mise à la terre à trois broches pour une utilisation dans une prise correctement installée et mise à la terre. La fiche doit être branchée dans une prise appropriée qui est correctement installée et mise à la terre conformément à tous les codes et ordonnances locaux.

⚠ ATTENTION: Un conducteur de mise à la terre de l'équipement mal connecté peut augmenter le risque de choc électrique. Vérifiez auprès d'un électricien ou d'un technicien qualifié si vous n'êtes pas sûr que l'appareil est correctement mis à la terre. Ne modifiez pas la fiche fournie avec l'appareil. Si elle ne correspond pas à la prise, faites installer une prise appropriée par un électricien qualifié. Pour éviter tout risque inutile d'incendie, de choc électrique ou de blessure, tout le câblage et la mise à la terre doivent être effectués conformément au Code National de l'Électricité ANSI/FNPA, No. 70 Dernière Révision et aux codes et ordonnances locaux. C'est la responsabilité personnelle du propriétaire de l'appareil de fournir un service électrique adéquat pour cet appareil. Ne jamais connecter le fil de terre à des conduites de plomberie en plastique, des conduites de gaz ou des conduites d'eau chaude.

⚠ ATTENTION: Certaines pièces internes ne sont intentionnellement pas mises à la terre et peuvent présenter un risque de choc électrique uniquement lors de l'entretien. Personnel de Service: Ne pas entrer en contact avec les pièces suivantes quand l'appareil est sous tension: Vanne Électrique, Pompe de Vidange, Porte ou Serrure.

⚠ ATTENTION: Le courant maximum à travers l'unité est de 12A quand vous utilisez sa fonction de chauffage. Assurez-vous que le système d'alimentation (courant, tension et fil) peut répondre aux exigences de charge normales des appareils électriques.

INSTRUCTIONS D'INSTALLATION

AVERTISSEMENTS D'UTILISATION ET D'ENTRETIEN

ATTENTION:

1. Si l'appareil est inondé, coupez immédiatement l'alimentation et contactez votre centre de service le plus proche.
2. Si l'appareil émet un bruit étrange, une odeur de brûlé ou de la fumée, débranchez immédiatement la prise d'alimentation et contactez votre centre de service le plus proche.
 - Le non-respect de cette consigne peut entraîner un choc électrique ou un incendie.
3. En cas de fuite de gaz (comme le gaz propane, le gaz PL, etc.), aérez immédiatement la zone. N'allumez ou n'éteignez aucun appareil ou lumière.
 - Ne pas utiliser de ventilateur d'aération.
 - Une étincelle peut provoquer une explosion ou un incendie.
4. Ne lavez pas d'articles contaminés par de l'essence, du kérosène, du benzène, du diluant pour peinture, de l'alcool, du détergent de nettoyage à sec ou d'autres substances inflammables ou explosives.
 - Cela peut entraîner un choc électrique, un incendie ou une explosion.
5. Ne forcez pas l'ouverture de la porte de la laveuse pendant que la laveuse fonctionne (lavage/essorage à haute température).
 - L'eau qui s'écoule de la laveuse peut causer des brûlures ou rendre le plancher glissant. Cela peut entraîner des blessures.
 - Forcer l'ouverture de la porte peut endommager le produit ou provoquer des blessures.
6. Assurez-vous d'enlever l'emballage (éponge, mousse de polystyrène) fixé au fond de la laveuse et enlevez également les (4) boulons de transport avant d'utiliser la machine.
7. N'insérez pas votre main ou un objet métallique sous la laveuse.
 - Cela peut entraîner des blessures.
8. N'essayez pas de faire fonctionner cet appareil s'il est endommagé, défectueux, partiellement démonté ou s'il a des pièces manquantes ou cassées, y compris un cordon ou une fiche endommagée.
 - Cela peut entraîner un choc électrique, un incendie ou la mort.
9. Ne touchez pas la fiche d'alimentation avec les mains mouillées.
 - Cela peut entraîner un choc électrique.
10. N'éteignez pas l'appareil en débranchant la fiche d'alimentation pendant que la laveuse est en marche.
 - Le fait de rebrancher la fiche d'alimentation dans la prise murale peut provoquer une étincelle et provoquer un choc électrique ou un incendie.
11. Gardez tous les matériaux d'emballage hors de portée des enfants, car les matériaux d'emballage peuvent être dangereux pour les enfants.
 - Pour éviter tout risque d'étouffement, tenir hors de portée des bébés et des enfants.
12. Ne laissez pas les enfants ou les personnes handicapées utiliser cette laveuse sans surveillance.
 - Le non-respect de cette consigne peut entraîner un choc électrique, des brûlures ou des blessures.

INSTRUCTIONS D'INSTALLATION

ATTENTION:

13. N'essayez pas de réparer, démonter ou modifier l'appareil vous-même.
 - Ne pas utiliser de fusible (comme cuivre, fil d'acier, etc.) autre que le fusible standard.
 - Si vous devez réparer ou réinstaller l'appareil, contactez votre centre de service le plus proche.
 - Le non-respect de cette consigne peut entraîner un choc électrique, un incendie, des problèmes avec le produit ou blessure
14. Si une substance étrangère comme de l'eau pénètre dans l'appareil dans une zone autre que la cuve, débranchez la prise d'alimentation et contactez votre centre de service le plus proche.
 - Le non-respect de cette consigne peut entraîner un choc électrique ou un incendie.
15. Si le boyau d'alimentation en eau se détache du robinet et inonde l'appareil, débranchez la fiche d'alimentation.
 - Le non-respect de cette consigne peut entraîner un choc électrique ou un incendie.
16. Ne mélangez pas l'eau de Javel avec de l'ammoniaque ou des acides comme le vinaigre.
 - Une utilisation incorrecte peut produire des gaz toxiques, entraînant des blessures graves.
17. Ne pas mettre la main dans la laveuse pendant que les pièces bougent. Avant de charger, décharger ou ajouter des articles, appuyez sur le bouton DÉMARRER/PAUSE et laissez le panier s'arrêter complètement avant d'atteindre l'intérieur.
 - Le non-respect de cette consigne peut entraîner un choc électrique, des blessures ou un incendie.
18. Ne laissez pas les enfants jouer sur ou dans la laveuse. Une surveillance étroite des enfants est nécessaire quand la laveuse est utilisée à proximité des enfants. Au fur et à mesure que les enfants grandissent, apprenez-leur à utiliser correctement et en toute sécurité tous les appareils.
 - Le non-respect de cette consigne peut entraîner des blessures graves.
19. Gardez les produits de lessive hors de la portée des enfants. Observez tous les avertissements sur les étiquettes des produits et suivez les instructions.
 - Le non-respect de cette consigne peut entraîner des blessures graves.
20. Débranchez cet appareil de l'alimentation électrique avant de tenter toute opération de maintenance utilisateur. Tourner les commandes sur la position OFF ne déconnecte pas cet appareil de l'alimentation électrique.
 - Le non-respect de cette consigne peut entraîner un choc électrique, des blessures ou un incendie.
21. Ne nettoyez pas l'appareil en pulvérisant de l'eau directement dessus.
22. N'utilisez pas de benzène, de diluant ou d'alcool pour nettoyer l'appareil.
 - Cela peut entraîner une décoloration, une déformation, des dommages, un choc électrique ou un incendie.
23. Assurez-vous que les enfants ne grimpent pas ou ne s'assoient pas sur l'appareil.
24. Ne vous appuyez pas contre la porte.
25. Ne modifiez pas la fiche fournie avec l'appareil.
 - S'il ne s'adapte pas à la prise, faites installer une prise appropriée par un électricien qualifié.

INSTRUCTIONS D'INSTALLATION

AVERTISSEMENTS D'UTILISATION ET D'ENTRETIEN

AVERTISSEMENT:

1. Débranchez la fiche d'alimentation quand l'appareil n'est pas utilisé pendant de longues périodes ou pendant un orage.
 - Le non-respect de cette consigne peut entraîner un choc électrique ou un incendie.
2. Gardez les mains et les objets étrangers à l'écart de la porte et de la zone du loquet lors de la fermeture de la porte.
 - Le non-respect de cette consigne peut entraîner des blessures corporelles.
3. Si la laveuse est contaminée par une substance étrangère comme du détergent, de la saleté, des déchets alimentaires, etc., débranchez la prise d'alimentation et nettoyez la laveuse avec un chiffon doux et humide.
 - Le non-respect de cette consigne peut entraîner une décoloration, une déformation, des dommages ou de la rouille.
4. La partie transparente de la porte peut être brisée par un fort impact. Soyez prudent quand vous utilisez la laveuse.
 - Si la partie transparente est fissurée ou cassée, cela peut entraîner des blessures.
5. Après une panne d'alimentation en eau ou lors du rebranchement du boyau d'alimentation en eau, ouvrez lentement le robinet.
6. Ouvrez le robinet lentement après une longue période de non-utilisation.
 - La pression d'air dans le boyau d'alimentation en eau ou la conduite d'eau peut entraîner des dommages à une pièce ou une fuite d'eau.
7. Si une erreur de vidange se produit pendant une opération, vérifiez s'il y a un problème de vidange.
 - Si la laveuse est utilisée lorsqu'elle est inondée à cause d'un problème de vidange, cela peut entraîner un choc électrique ou un incendie à cause d'une fuite électrique.
8. N'insérez pas votre main ou un objet métallique sous la laveuse.
 - Cela peut entraîner des blessures.
9. Insérez complètement le linge dans la laveuse afin que le linge ne se coince pas dans la porte.
 - Si du linge se coince dans la porte, cela peut endommager le linge ou la laveuse, ou entraîner des fuites d'eau.
10. Assurez-vous que le robinet est fermé quand la laveuse n'est pas utilisée.
 - Assurez-vous que les connecteurs des boyaux d'alimentation en eau sont correctement serrés.
 - Le non-respect de cette consigne peut entraîner des dommages matériels ou des blessures.
11. Ouvrez le robinet et vérifiez si le connecteur du boyau d'alimentation en eau est bien serré et qu'il n'y a pas de fuite d'eau avant d'utiliser le produit.
 - Si les connecteurs du boyau d'alimentation en eau sont desserrés, cela peut entraîner une fuite d'eau.
12. Ne vous tenez pas debout sur l'appareil et ne placez pas d'objets (comme du linge, des bougies allumées, des cigarettes allumées, de la vaisselle, des produits chimiques, des objets métalliques, etc.) sur l'appareil.
 - Cela peut entraîner un choc électrique, un incendie, des problèmes avec le produit ou des blessures.
13. N'utilisez pas l'appareil avec les mains mouillées.
 - Cela peut entraîner un choc électrique.
14. Ne vaporisez pas de substances volatiles comme des insecticides sur la surface de l'appareil.
 - En plus d'être nocif pour les humains, il peut également entraîner un choc électrique, un incendie ou des problèmes avec le produit.

INSTRUCTIONS D'INSTALLATION

AVERTISSEMENT:

15. Ne placez pas d'objet générant un champ électromagnétique à proximité de la laveuse.
 - Cela peut entraîner des blessures à cause d'un mauvais fonctionnement.
16. Étant donné que l'eau vidangée lors d'un lavage à haute température est chaude, ne touchez pas l'eau.
 - Cela peut entraîner des brûlures ou des blessures.
17. Ne pas laver ni essorer les sièges, tapis ou vêtements imperméables.
 - Ne lavez pas les tapis épais et durs, même si la marque de la rondelle figure sur l'étiquette d'entretien.
 - Cela peut entraîner des blessures ou endommager la laveuse, les murs, le plancher ou les vêtements à cause de vibrations anormales.
18. N'utilisez pas la laveuse quand le distributeur de détergent est enlevé.
 - Cela peut entraîner un choc électrique ou des blessures à cause d'une fuite d'eau.
19. N'insérez pas votre main dans le distributeur de détergent après l'avoir ouvert.
 - Cela peut entraîner des blessures car votre main peut être coincée.
20. Ne placez pas d'objets autres que la lessive, comme des chaussures, des déchets alimentaires ou des animaux dans la laveuse.
 - Cela peut provoquer des vibrations anormales qui peuvent endommager la laveuse et, dans le cas d'animaux domestiques, causer des blessures graves ou la mort.
21. N'appuyez pas sur les boutons avec des objets pointus comme des épingles, des couteaux, des ongles, etc.
 - Cela peut entraîner un choc électrique ou des blessures.
22. Ne lavez pas le linge contaminé par des huiles, des crèmes ou des lotions que l'on trouve généralement dans les magasins de soins de la peau ou les cliniques de massage.
 - Cela peut entraîner une déformation du joint en caoutchouc et provoquer des fuites d'eau.
23. Assurez-vous que le boyau d'arrivée d'eau est connecté et que le robinet est ouvert avant de laver les vêtements.
24. Ne laissez pas d'objets métalliques (épingles de sécurité, épingles à cheveux, etc.) ou d'eau de Javel dans la cuve pendant de longues périodes.
 - Cela peut faire rouiller la cuve.
 - Si de la rouille apparaît à la surface de la cuve, appliquez un agent nettoyant neutre sur la surface et utilisez une éponge pour la nettoyer. N'utilisez jamais de brosse métallique.
25. N'utilisez pas d'eau chaude provenant de dispositifs de refroidissement/chauffage à eau.
 - Cela peut entraîner des problèmes avec la laveuse.
26. N'utilisez pas de savon naturel pour le lavage des mains dans la laveuse.
 - S'il durcit et s'accumule à l'intérieur de la laveuse, cela peut causer des problèmes avec le produit, une décoloration, de la rouille ou de mauvaises odeurs.
27. Ne lavez pas les gros articles de linge comme la literie dans le filet de lavage.
 - Le non-respect de cette consigne peut entraîner des blessures dues à des vibrations anormales.
 - Placez des articles plus petits, comme des chaussettes en dentelle et de la lingerie dans le filet de lavage.
28. N'utilisez pas de détergent durci.
 - S'il s'accumule à l'intérieur de la laveuse, cela peut entraîner des fuites d'eau.
29. Ne lavez pas les carpettes ou les paillassons.
 - Si vous lavez des carpettes ou des paillassons, le sable s'accumulera à l'intérieur de la laveuse.
 - Cela peut entraîner une erreur telle qu'une absence de vidange.
30. Ne fermez pas la porte avec une force excessive.
31. Ne remplissez pas trop l'appareil. Assurez-vous que les vêtements sont bien répartis.

INSTRUCTIONS D'INSTALLATION

TRANSPORTER LA MACHINE

1. Les boulons de transport doivent être réinstallés sur la machine avant le déplacement pour éviter d'endommager l'unité.
2. L'eau accumulée doit être évacuée de la machine avant le déplacement.
3. Manipulez la machine avec soin. La porte ne peut pas être utilisée comme poignée lors du déplacement de l'unité.

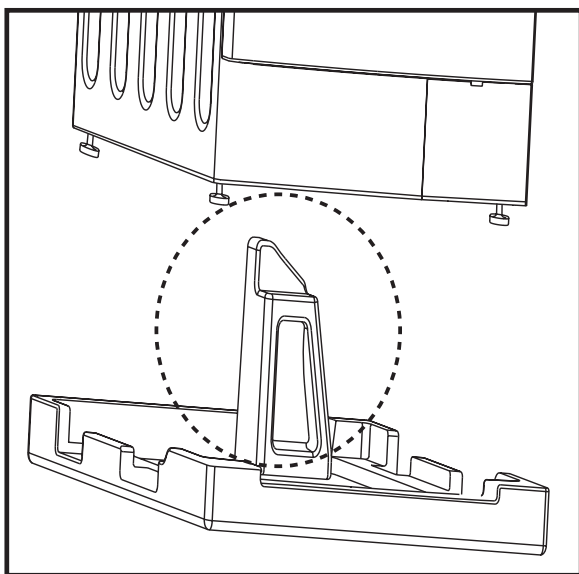
DÉBALLAGE ET RETRAIT DU MATÉRIEL D'EXPÉDITION

Enlevez la boîte d'emballage et soulevez la laveuse pour l'éloigner de la base en mousse. Ouvrez la porte pour enlever les accessoires.

REMARQUE: La laveuse doit être déballée par 2 personnes ou plus à cause de son poids. Enlevez la boîte d'emballage et soulevez la laveuse pour l'éloigner de la base en mousse. Ouvrez la porte pour enlever les accessoires. Couchez l'unité sur le côté pour vous assurer que toutes les petites pièces triangulaires en mousse sont enlevées du bas de l'unité.

▲ AVERTISSEMENT: Les matériaux d'emballage peuvent être dangereux pour les enfants; Gardez tout matériel d'emballage (sacs en plastique, polystyrène, etc.) hors de portée des enfants.

▲ ATTENTION: N'utilisez pas cet appareil sur la base en mousse. Il doit être placé sur un plancher plat.

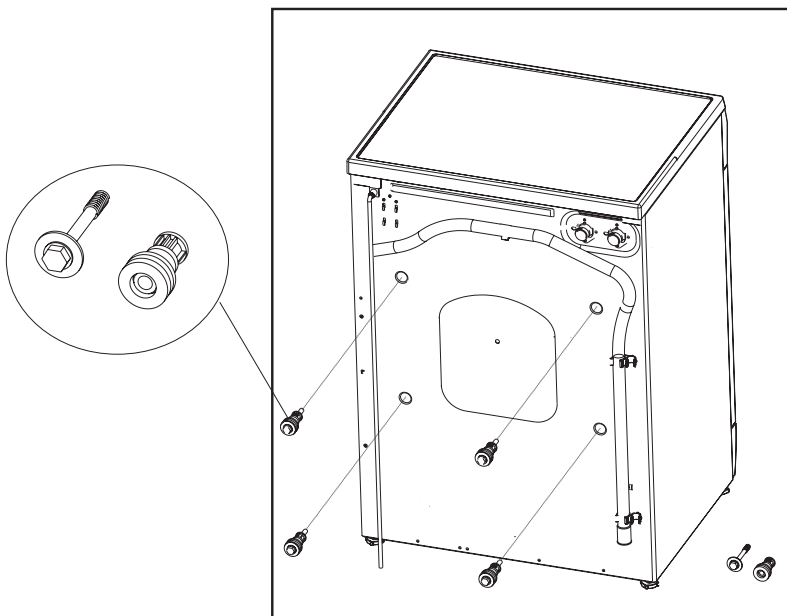


INSTRUCTIONS D'INSTALLATION

ENLEVER LES BOULONS DE TRANSPORT

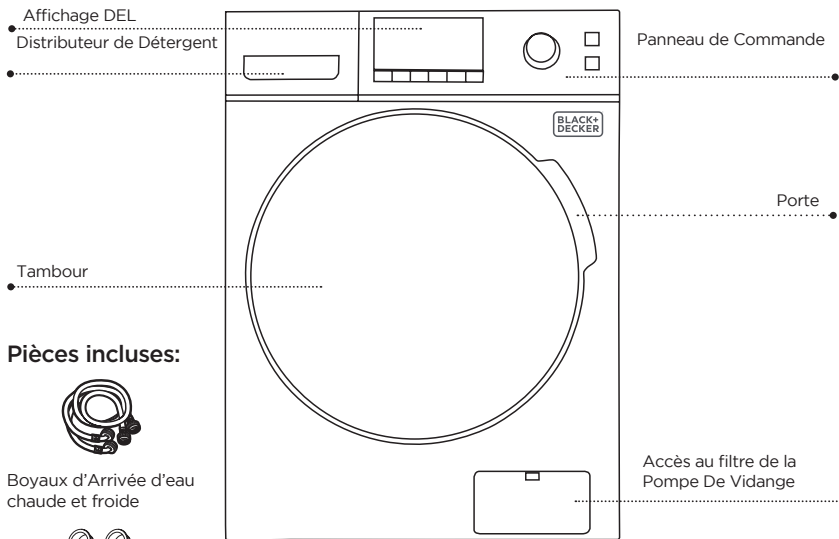
Avant d'utiliser cette laveuse, les boulons de transport doivent être enlevés à l'arrière de cette machine.

1. Desserrez tous les boulons avec une clé pour les enlever.
2. Couvrez les trous avec les bouchons de transport fournis.
3. Gardez les boulons de transport dans un endroit sûr pour une utilisation future. Si l'unité doit être transportée à tout moment, les boulons de transport doivent être réinsérés pour éviter d'endommager l'unité.



INSTRUCTIONS D'INSTALLATION

PIÈCES ET CARACTÉRISTIQUES



Pièces incluses:



Boyaux d'Arrivée d'eau chaude et froide



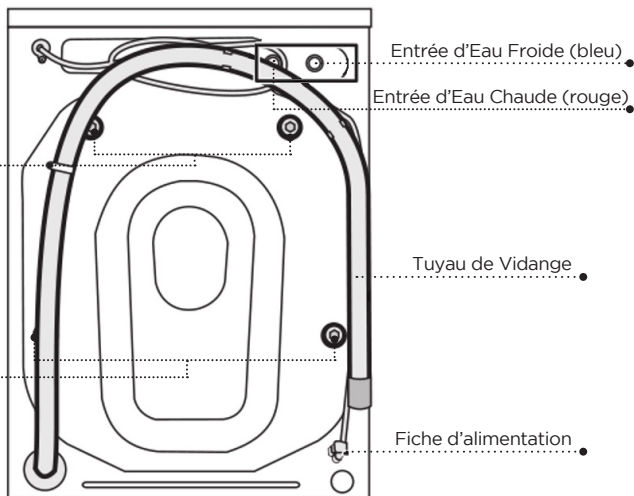
Bouchons de Transport



Support en U

• Boulons de Transport

• Boulons de Transport



INSTRUCTIONS D'INSTALLATION

OUTILS NÉCESSAIRES



Clé à molette



Pince réglable à verrouillage de canal



Niveau

Un kit de rupture de siphon, des boyaux supplémentaires ou d'autres pièces peuvent être achetés séparément selon la méthode de drainage sélectionnée. Veuillez vérifier votre quincaillerie locale.

CHOISISSEZ L'EMPLACEMENT APPROPRIÉ

PLANCHER

Pour de meilleures performances, vous devez installer votre laveuse sur une surface rigide, sèche et plane. Les planchers de bois peuvent avoir besoin d'être renforcés pour minimiser les vibrations et/ou les situations de charge déséquilibrée.

- La moquette et les surfaces de carreaux souples contribuent aux vibrations qui peuvent entraîner un léger mouvement de votre laveuse pendant le cycle d'essorage.

⚠ ATTENTION: N'installez pas votre laveuse dans des zones où l'eau peut geler, car votre laveuse retiendra toujours de l'eau dans ses zones de valve d'eau, de pompe et de boyau. L'eau gelée peut endommager les courroies, la pompe, les boyaux et d'autres composants. Ne jamais installer sur une plate-forme ou une structure faiblement soutenue.

L'unité doit être installée sur un plancher de niveau avec une pente maximale de 1 po (25 mm) sur une distance de 3 pi.

ÉLECTRIQUE

Utilisez un fusible ou un disjoncteur 120 volts 60 Hz 15 ou 20 ampères. Un circuit de dérivation individuel desservant uniquement votre laveuse est recommandé.

La laveuse doit être située près d'une prise électrique mise à la terre située à moins de 6 pi. (1,8 m) de l'endroit où le cordon d'alimentation est attaché à l'arrière de la laveuse. Voir "Exigences Électriques".

⚠ ATTENTION: N'utilisez jamais de rallonge.

INSTRUCTIONS D'INSTALLATION

APPROVISIONNEMENT EN EAU

Pour remplir correctement votre laveuse dans le laps de temps approprié, une pression d'eau de 20 à 100 psi (100 à 500 kPa) est requise. Une pression d'eau inférieure à 20 psi peut provoquer une défaillance de la valve d'eau, ou peut ne pas permettre à la valve d'eau de se fermer complètement, ou peut prolonger le temps de remplissage au-delà de ce que permettent les commandes de votre laveuse, provoquant l'arrêt de votre laveuse et indiquant une erreur. Une limite de temps est intégrée aux commandes pour éviter les inondations dans votre maison si un boyau se desserre.

Le robinet d'eau doit être à moins de 122 cm de l'arrière de votre laveuse pour correspondre aux boyaux d'arrivée fournis avec votre laveuse.

Un chauffe-eau doit être réglé pour fournir de l'eau à 120 °F (49 °C) à la laveuse.

Pour éviter la possibilité de dégâts d'eau:

- Avoir des robinets d'eau facilement accessibles.
- Vérifier périodiquement qu'il n'y a pas de fuite au niveau des raccords des boyaux d'arrivée d'eau.

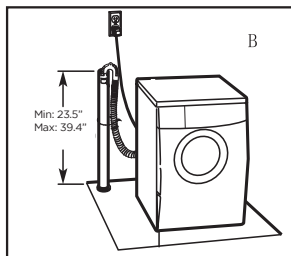
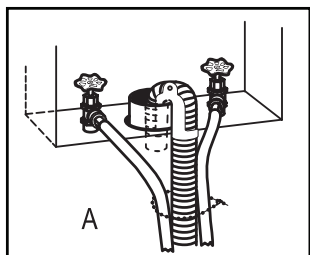
VIDANGE

Le boyau de vidange est raccordé au bas de l'appareil. L'autre extrémité du boyau doit être positionnée en utilisant l'une des méthodes suivantes:

Colonne montante

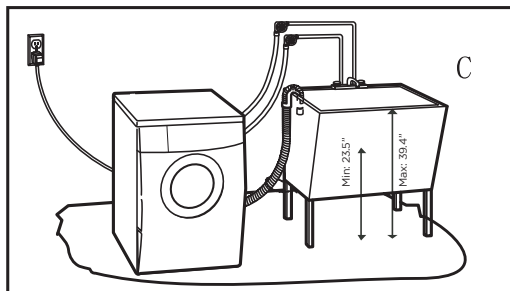
The standpipe must be no shorter than 23.5" (60cm) and no taller than 39" (100cm) from the bottom of the washer.

The drain hose must be routed through the drain hose clip to the standpipe. The standpipe must be large enough to accept the outside diameter of the drain hose.



Évier

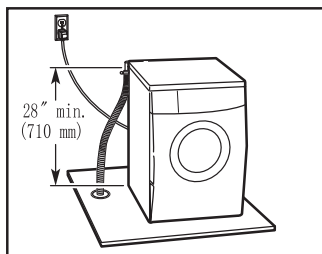
Le dessus de l'évier ne doit pas être plus court que 23,5 po (60 cm). La capacité de l'évier doit être d'au moins 20 gallons (76L).



INSTRUCTIONS D'INSTALLATION

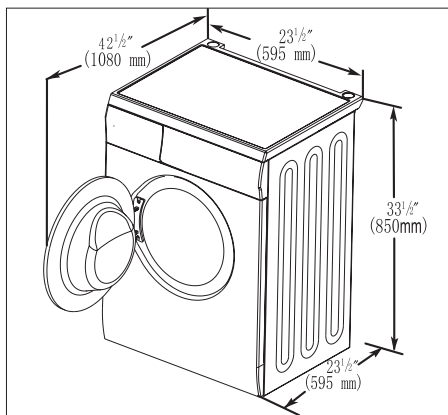
Drain au sol

Un kit de rupture de siphon peut être acheté séparément auprès de votre quincaillerie locale pour drainer l'eau vers le sol. Le rupture de siphon doit être à au moins 28 po (710 mm) du bas de la laveuse.



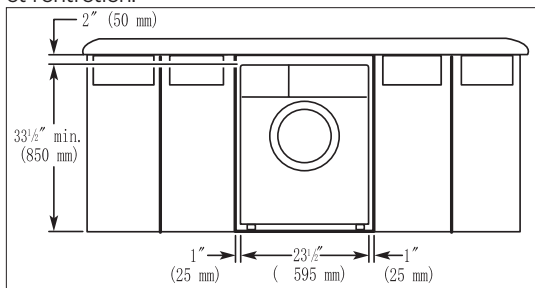
DÉGAGEMENTS D'INSTALLATION

L'emplacement doit être suffisamment grand pour permettre l'ouverture complète de la porte de la laveuse. La porte s'ouvre à plus de 90° et elle n'est pas réversible. Un espacement supplémentaire d'environ 1 po (25 mm) de tous les côtés de la laveuse est recommandé pour réduire le bruit et les vibrations.



DÉGAGEMENT REQUIS POUR L'APPLICATION ENCASTRÉE

L'emplacement et l'espace libre doivent être pris en compte pour faciliter l'installation et l'entretien.

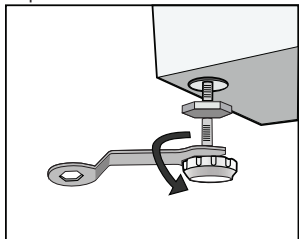


INSTRUCTIONS D'INSTALLATION

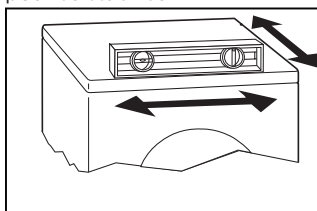
Nivellement de la Laveuse

Quand vous déplacez l'unité vers l'emplacement final, assurez-vous que les pieds de nivellement sont positionnés près de la laveuse et ne sont pas étendus pour éviter d'endommager les pieds de nivellement.

Les pieds de nivellement peuvent être ajustés en les tournant pour élever ou abaisser le pied à l'aide d'une clé à molette (non incluse).



Après avoir positionné l'unité à son emplacement final, elle ne doit pas basculer quand vous appuyez sur les coins supérieurs de l'unité. Un niveleur peut également être utilisé. Si l'unité n'est pas stable, les pieds de nivellement doivent être ajustés pour se stabiliser.



Les 4 pieds de nivellement doivent être fermement enfoncés dans le sol et l'unité doit être complètement stable avant d'utiliser la laveuse.er.

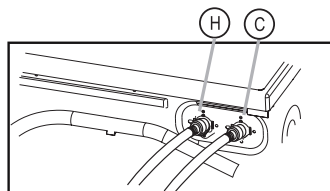
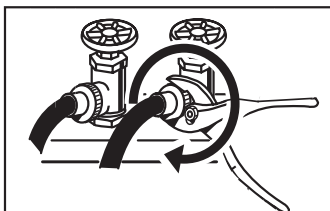
Raccordement des Boyaux d'Admission

Raccordez le boyau d'arrivée (bleu) à l'alimentation en eau froide. Tournez dans le sens horaire pour serrer.

Connectez l'autre extrémité de l'entrée du boyau d'alimentation en eau froide à la valve d'entrée (bleue) à l'arrière de l'unité marquée C en tournant dans le sens horaire pour serrer.

Raccordez le boyau d'arrivée (rouge) à l'alimentation en eau chaude. Tournez dans le sens horaire pour serrer.

Connectez l'autre extrémité de l'entrée du boyau d'alimentation en eau chaude à la valve d'entrée (rouge) à l'arrière de l'unité marquée H en tournant dans le sens horaire pour serrer.



Ouvrez l'alimentation en eau pour vous assurer qu'il n'y a pas de fuite dans les connexions. En cas de fuite, resserrez la connexion en tournant dans le sens horaire.

DÉPANNAGE ET GARANTIE

AVANT DE FAIRE APPEL AU SERVICE

SI L'APPAREIL NE FONCTIONNE PAS:

A) Assurez-vous que l'appareil est bien branché. Si ce n'est pas le cas, enlevez la fiche de la prise, attendez 10 secondes et rebranchez-la correctement.

B) Recherchez un fusible de circuit grillé ou un disjoncteur principal déclenché. S'ils semblent fonctionner correctement, testez la prise avec un autre appareil.

SI AUCUNE DES SOLUTIONS CI-DESSUS NE RÉSOUT LE PROBLÈME, CONTACTEZ NOTRE CENTRE DE SATISFACTION CLIENT. N'ESSAYEZ PAS DE RÉGLER OU DE RÉPARER VOUS-MÊME.

IMPORTANT

NE PAS RETOURNER CE PRODUIT AU MAGASIN

Si vous rencontrez un problème avec ce produit, veuillez contacter le centre de Satisfaction Client BLACK+DECKER au 844-299-0879.

PREUVE D'ACHAT DATÉ, NO. DE MODÈLE ET NO. DE SÉRIE REQUIS POUR LE SERVICE DE GARANTIE

DÉPANNAGE ET GARANTIE

DÉPANNAGE

Résolvez votre problème en utilisant le tableau ci-dessous. Si l'appareil ne fonctionne toujours pas correctement, contactez le centre de service client W Appliance Co. ou le centre de service agréé le plus proche. Le client ne doit jamais dépanner les composants internes.

SYMPTÔMES	CAUSE POSSIBLE	SOLUTIONS
La laveuse ne démarre pas	La porte peut ne pas être fermée hermétiquement. La fiche d'alimentation n'est peut-être pas insérée. Le robinet d'arrivée d'eau ne doit pas être ouvert. "Marche/Arrêt" ne peut pas être enfoncé. "Démarrer/Pause" peut être enfoncé.	Fermez bien la porte. Assurez-vous que la prise d'alimentation est bien insérée. Ouvrir le robinet d'arrivée d'eau. Appuyez sur "Marche/Arrêt". Vérifiez si le bouton "Démarrer/Pause" est enfoncé. Si c'est le cas, appuyez à nouveau sur le bouton pour démarrer.
La porte ne peut pas être ouverte	La conception de protection de sécurité de la laveuse fonctionne.	Débranchez l'alimentation, redémarrez la machine.
Bruit sourd	Les charges de lavage lourdes peuvent produire un bruit sourd. La charge de la laveuse peut être déséquilibrée.	C'est normal. Si le bruit persiste, la laveuse est probablement déséquilibrée. Arrêtez et redistribuez la charge de lavage. Mettre le cycle en pause et redistribuer le charge.
Bruit de vibration	Les matériaux d'emballage n'ont pas été enlevés. La charge de lavage peut être inégalement répartie dans la cuve. Tous les pieds réglables ne reposent pas fermement et uniformément sur le sol. Plancher pas assez de niveau/rigide.	Voir la section DEBALLAGE ET RETRAIT DU MATÉRIEL D'EXPÉDITION dans les instructions d'installation. Mettre le cycle en pause et redistribuer la charge. Voir Mise À Niveau de la Laveuse dans les Instructions d'Installation. Assurez-vous que le sol est solide et ne fléchit pas. Voir Exigences de plancher dans les Exigences d'Installation.
Bruit de cliquetis et de claquement.	Les objets étrangers, comme les clés, pièces de monnaie ou épingles de sûreté, peuvent être dans la cuve ou pompe.	Arrêter la laveuse, vérifier la cuve et le filtre de vidange pour les objets étrangers. Si le bruit persiste après que la laveuse est redémarré, appelez le service.

DÉPANNAGE ET GARANTIE

SYMPTÔMES	CAUSE POSSIBLE	SOLUTIONS
Mousse excessive	Trop de détergent ou un détergent incorrect.	Les détergents HE sont formulés spécifiquement pour les laveuses à haute efficacité et contiennent des agents réducteurs de mousse. N'utilisez que du détergent avec le logo Haute Efficacité (HE).
Fuite d'eau	Raccord de boyau d'arrivée est lâche au robinet ou laveuse. Les boyaux de vidange sont bouchés. Le boyau de vidange est venu hors du drain ou n'est pas inséré assez loin.	Vérifiez les boyaux pour les fuites, les fissures et les fentes. Vérifiez et serrez les raccords des boyaux. La laveuse pompe l'eau très rapidement. Vérifiez qu'il n'y a pas de refoulement d'eau dans le boyau de vidange pendant la vidange. Si de l'eau sort du drain, vérifiez la bonne installation du tuyau de vidange et vérifiez les restrictions dans le drain. Contactez un plombier pour réparer le boyau de vidange. Attachez le boyau de vidange au boyau d'entrée ou à la colonne montante pour l'empêcher de se détacher. Pour les boyaux de vidange plus petits, insérez le boyau de vidange dans le boyau de vidange jusqu'à la bride du boyau de vidange. Pour les boyaux de vidange plus gros, insérez le boyau de vidange dans le boyau à 1"-2" au-delà de la bride . Arrêtez la laveuse et vérifiez la charge.
Rides	Laveuse non déchargée rapidement. Laveuse surchargée. Entrée eau chaude et froide les boyaux sont inversés.	Enlevez toujours les articles de la laveuse dès que le cycle est terminé. La cuve ne doit pas être trop tassée avec des objets. Le rinçage à l'eau chaude peut créer des rides dans les vêtements. Vérifiez le boyau d'arrivée.
Taches sur les tissus	La laveuse n'a pas été déchargée rapidement. Les vêtements n'étaient pas correctement triés.	Enlevez toujours les articles de la laveuse dès que possible après la fin du cycle. Lavez toujours les couleurs foncées séparément des couleurs pâles et des blancs pour éviter la décoloration. Ne lavez jamais d'articles très sales avec articles peu sales.

DÉPANNAGE ET GARANTIE

SYMPTÔMES	CAUSE POSSIBLE	SOLUTIONS
Odeur de moisi ou de moisissure dans la laveuse	L'intérieur de la cuve n'a pas été nettoyé correctement.	Exécutez le cycle Tub Clean avec de l'eau de Javel une fois par mois pour nettoyer la cuve et éliminer toute moisissure de l'intérieur de la laveuse.
La machine ne se vide pas ou n'essore pas correctement	Quelque chose bloque la pompe.	Débranchez l'alimentation, assurez-vous que le tissu n'est pas coincé, redémarrez la machine.
Code d'erreur E30	La porte n'est pas bien fermée.	Vérifiez et nettoyez le filtre de la pompe.
Code d'erreur E10	Cela indique un problème de remplissage d'eau dans la machine.	Assurez-vous que la pression de l'eau n'est pas trop faible. Assurez-vous qu'il n'y a pas de plis dans les boyaux. Assurez-vous que la valve d'admission n'est pas bloquée.
Code d'erreur E21	L'eau s'écoule lentement.	Assurez-vous que le boyau de vidange n'est pas bloqué.
Code d'erreur E12	Débordement d'eau	Redémarrez la laveuse.
Code d'erreur EXX	Autre	Redémarrez la laveuse, si l'erreur persiste, contactez le service client.

GARANTIE LIMITÉE

Toute réparation, remplacement ou service de garantie, et toutes les questions concernant ce produit doivent être adressées à W Appliance Co. au **844-299-0879** des États-Unis ou de Porto Rico.

Garanti à l'acheteur d'origine que le produit sera exempt de défauts de matériaux, de pièces et de fabrication pour la période désignée pour ce produit. La garantie commence le jour de l'achat du produit et couvre jusqu'à une période de **1 an (12 mois) pour la main d'œuvre/1 an (12 mois) pour les pièces (défauts de fabrication uniquement)**.

W Appliance Co. s'engage à remplacer, à sa discrétion, le produit défectueux par une unité neuve ou remise à neuf équivalente à votre achat d'origine pendant la période de garantie.

Exclusions: Cette garantie ne s'applique pas aux éléments ci-dessous:

1. Si l'apparence ou l'extérieur du produit a été endommagé ou dégradé, altéré ou modifié dans sa conception ou sa construction.
2. Si le numéro de série d'origine du produit a été modifié ou supprimé ou ne peut pas être facilement déterminé.
3. S'il est endommagé à cause d'une surtension, l'utilisateur endommage le cordon d'alimentation CA ou la connexion à une source de tension inappropriée.
4. Si les dommages sont dus à une mauvaise utilisation générale, des accidents ou des catastrophes naturelles.
5. Si les tentatives de réparation sont effectuées par des agents de service non autorisés, utilisent des pièces autres que des pièces d'origine ou des pièces obtenues auprès de personnes autres que des compagnies de service autorisées.
6. Sur les unités qui ont été transférées du propriétaire original.
7. Sur les produits qui ont été achetés comme remis à neuf, comme neufs, d'occasion, dans des conditions "Tel Quel" ou "Vente Finale".
8. Aux produits utilisés dans un cadre commercial ou locatif.
9. Aux produits utilisés dans des contextes autres que l'usage domestique ordinaire ou utilisés autrement que conformément aux instructions fournies.
10. Aux dommages-intérêts pour les appels de service pour des installations incorrectes.
11. Frais de transport et d'expédition associés au remplacement de l'appareil.
12. Appels de service pour vous expliquer comment utiliser votre produit.
13. Appels de service pour réparer ou remplacer le fusible de la maison, réinitialiser le disjoncteur ou corriger le câblage dans la maison.

RÉPARATION OU REMPLACEMENT TEL QUE PRÉVU EN VERTU DE CETTE GARANTIE EST LE RECOURS EXCLUSIF DU CONSOMMATEUR; W Appliance Co. NE SERA PAS RESPONSABLE DE TOUT DOMMAGE ACCESSOIRE OU CONSÉCUTIF POUR VIOLATION DE TOUTE GARANTIE EXPRESSE OU IMPLICITE SUR CE PRODUIT, SAUF DANS LA MESURE INTERDITE PAR LA LOI APPLICABLE. TOUTE GARANTIE IMPLICITE DE QUALITÉ MARCHANDE D'ADAPTATION À UN USAGE PARTICULIER SUR CE PRODUIT EST LIMITÉE À LA DURÉE DE LA GARANTIE.

Certains états n'autorisent pas l'exclusion ou les limitations des dommages indirects ou consécutifs, ou les limitations sur la durée de la garantie. Dans ces cas, les exclusions ou limitations ci-dessus peuvent ne pas s'appliquer à vous. Cette garantie vous donne des droits légaux spécifiques et vous pouvez également avoir d'autres droits qui varient d'un état à l'autre.

Obtenir Du Service: Pour obtenir du service, de la documentation sur les produits, des fournitures ou des accessoires, veuillez appeler au **844-299-0879** pour créer un ticket pour échange/réparation. Veuillez vous assurer de fournir la date d'achat, le numéro de modèle et une brève description du problème. Notre représentant du service à la clientèle vous contactera ou vous enverra des instructions de retour détaillées.

W Appliance Co. ne garantit pas que l'appareil fonctionnera correctement dans toutes les conditions environnementales, et ne fait aucune garantie et représentation, implicite ou expresse, en ce qui concerne la qualité, la performance, la qualité marchande ou l'adéquation à un usage particulier autre que l'usage identifié dans ce manuel de l'utilisateur. W Appliance Co. a fait tout son possible pour s'assurer que ce manuel d'utilisation est exact et décline toute responsabilité pour toute inexactitude ou omission qui aurait pu se produire. Les informations contenues dans ce manuel d'utilisation sont sujettes à modification sans préavis et ne représentent pas un engagement de la part de W Appliance Co. W Appliance Co. se réserve le droit d'apporter des améliorations à ce manuel d'utilisation et/ou aux produits décrits dans ce manuel d'utilisation à tout moment et sans préavis. Si vous trouvez des informations dans ce manuel qui sont incorrectes, trompeuses ou incomplètes, veuillez nous contacter au **844-299-0879**.

W Appliance Co.
1356 Broadway
New York, NY 10018

BLACK & DECKER, BLACK+DECKER, les logos et noms de produits BLACK & DECKER et BLACK+DECKER et le schéma de couleur orange et noire sont des marques déposées de The Black & Decker Corporation, utilisées sous licence. Tous droits réservés. Le produit dans cette boîte peut différer légèrement de celui illustré. N'affecte pas la fonction. Tous les accessoires illustrés en photographie ne sont pas inclus dans cet emballage

Importé par W Appliance, Inc., 1356 Broadway, New York, NY 10018

Juin 2021

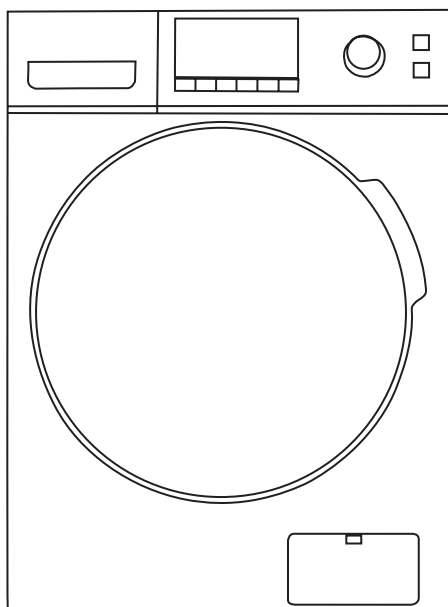
Imprimé en Chine

BLACK+[®] DECKER

**2.7 CU. FT.
LAVADORA DE CARGA FRONTAL**

MANUAL DE INSTRUCCIONES

**NÚMERO DE CATÁLOGO
BFLW27MW**



¡Gracias por elegir BLACK+DECKER!

**POR FAVOR, LEA ANTES DE DEVOLVER ESTE PRODUCTO
POR CUALQUIER MOTIVO.**

Si tiene una pregunta o experimenta un problema con su compra
BLACK+DECKER, ingrese a www.blackanddecker.com/instantanswers.
Si no encuentra la solución o no cuenta con acceso a Internet, llame al 844-
299-0879 de 10:30 a.m. a 6:30 p.m. EST de lunes a viernes para hablar con un
agente. Tenga a la mano el número de catálogo cuando llame.

GUARDE ESTE MANUAL PARA FUTURAS CONSULTAS.

CONTENIDO

INFORMACIÓN DE SEGURIDAD

Instrucciones importantes de seguridad	75-77
Información importante sobre la instalación	78

INSTALACIÓN Y USO

Antes del primer uso	79
Guía de inicio rápido	79
Panel de control	80-84
Uso de la lavadora	84-85

LIMPIEZA Y CUIDADO

Limpieza y mantenimiento	86-88
--------------------------------	-------

INSTRUCCIONES DE INSTALACIÓN

Advertencias y precauciones de instalación	89-90
Instrucciones de conexión a tierra	91
Precaución de uso y mantenimiento	92-93
Advertencias de uso y mantenimiento	94-95
Transporte de la máquina	96
Cómo retirar los tornillos de transporte	97
Piezas y características	98
Herramientas necesarias	99
Elija la ubicación adecuada	99-102

SOLUCIÓN DE PROBLEMAS Y GARANTÍA

Antes de llamar al servicio técnico	103
Solución de problemas	104-106
Garantía limitada	107

REGISTRO DEL PRODUCTO

Gracias por adquirir nuestro producto BLACK+DECKER. Este manual de fácil uso le guiará para obtener el mejor uso de su producto.

Recuerde registrar los números de modelo y de serie. Se encuentran en una etiqueta en la parte posterior del producto.

Adjunte el recibo a su manual. Lo necesitará para obtener el servicio de garantía.

Número de modelo

Número de serie

Fecha de compra

INFORMACIÓN DE SEGURIDAD



PELIGRO

PELIGRO - Peligros inmediatos que **PROVOCARÁN** lesiones personales graves o la muerte



ADVERTENCIA

ADVERTENCIA - Peligros o prácticas inseguras que **PODRÍAN** provocar lesiones personales graves o la muerte



PRECAUCIÓN

PRECAUCIÓN - Peligros o prácticas inseguras que **PODRÍAN** provocar lesiones personales leves

INSTRUCCIONES IMPORTANTES DE SEGURIDAD



ADVERTENCIA

al utilizar aparatos eléctricos, deben seguirse las precauciones básicas de seguridad, incluyendo las siguientes:

LEA TODAS LAS INSTRUCCIONES ANTES DE UTILIZAR EL APARATO

⚠ ADVERTENCIA: Para reducir el riesgo de incendio, descarga eléctrica o lesiones a las personas al utilizar su aparato, siga las precauciones básicas, incluyendo las siguientes:

1. LEA TODAS LAS INSTRUCCIONES ANTES DE UTILIZAR EL APARATO.
2. No lave artículos que hayan sido previamente limpiados en, lavados en, empapados en, o manchados con gasolina, disolventes de limpieza en seco, u otras sustancias inflamables o explosivas, ya que desprenden vapores que podrían encenderse o explotar.
3. No añada gasolina, disolventes de limpieza en seco u otras sustancias inflamables o explosivas al agua de lavado. Estas sustancias desprenden vapores que podrían encenderse o explotar.
4. En determinadas condiciones, puede producirse gas hidrógeno en un sistema de agua caliente que no se haya utilizado durante 2 semanas o más. EL GAS HIDRÓGENO ES EXPLOSIVO. Si el sistema de agua caliente no se ha utilizado durante ese período, antes de utilizar la lavadora, abra todos los grifos de agua caliente y deje que el agua fluya por cada uno de ellos durante varios minutos. Esto liberará el gas hidrógeno acumulado. Como el gas es inflamable, no fume ni utilice una llama expuesta durante este tiempo.
5. Desenchufe siempre la lavadora de la red eléctrica antes de realizar cualquier operación de mantenimiento. Desconecte el cable de alimentación sujetando el enchufe, no el cable.
6. Para reducir el riesgo de incendio, no deben colocarse en la lavadora artículos que tengan restos de cualquier sustancia inflamable, como aceite vegetal, aceite de cocina, aceites o destilados a base de petróleo, ceras, grasas, etc. Estos artículos pueden contener sustancias inflamables que, incluso después del lavado, pueden humear o incendiarse.
7. No coloque nunca en la lavadora artículos que hayan sido humedecidos con gasolina o cualquier sustancia combustible o explosiva. 8. No lave nada que haya sido empapado o manchado con cualquier tipo de aceite (incluyendo aceites de cocina). Hacerlo puede provocar un incendio, una explosión o la muerte.

INFORMACIÓN DE SEGURIDAD

8. No permita que los niños jueguen sobre o dentro del aparato. Es necesario supervisar estrechamente cuando el aparato se utiliza cerca de los niños.
9. Las mascotas y los niños podrían introducirse en la máquina. Inspeccione la máquina antes de cada funcionamiento.
10. La puerta de cristal o el protector pueden estar muy calientes durante el funcionamiento. Mantenga a los niños y a las mascotas lejos de la máquina durante el funcionamiento.
11. Esta máquina no está destinada a ser utilizada por personas (incluidos los niños) con capacidades físicas, sensoriales o mentales reducidas, o con falta de experiencia y conocimientos, a menos que hayan recibido supervisión o instrucciones sobre el uso de la máquina por parte de una persona responsable de su seguridad.
12. Los niños deben ser supervisados para garantizar que no jueguen con la máquina.
13. Cuando los niños tengan la edad suficiente para manejar el aparato, es responsabilidad legal de los padres o tutores legales asegurarse que sean instruidos en prácticas seguras por personas cualificadas.
14. No lave en la máquina materiales de fibra de vidrio (como cortinas y revestimientos de ventanas que utilizan materiales de fibra de vidrio). Las pequeñas partículas pueden permanecer en la lavadora y adherirse a los tejidos en las siguientes cargas de lavado causando irritación en la piel.
15. Antes de poner el aparato fuera de servicio o desecharlo, desmonte la puerta.
16. No introduzca la mano en el aparato si la bandeja o el agitador están en movimiento.
17. No instale o almacene este aparato donde vaya a estar expuesto a la intemperie.
18. No manipule los controles.
19. No repare ni sustituya ninguna pieza del aparato ni intente realizar ninguna revisión a menos que se recomiende específicamente en las instrucciones de mantenimiento del usuario o en las instrucciones de reparación del usuario, que usted comprenda y tenga la capacidad de realizar.
20. Desenchufe el aparato de la toma de corriente antes de proceder a su limpieza o mantenimiento.
21. Asegúrese de vaciar todos los bolsillos de las prendas antes de colocarlas en la máquina.
22. Los objetos afilados y rígidos como monedas, broches, clavos, tornillos o piedras, etc., pueden causar graves daños a esta máquina.
23. Desenchufe la máquina y corte el suministro de agua después de usarla.
24. Por favor, compruebe si el agua dentro del tambor se ha drenado antes de abrir la puerta. No abra la puerta si hay agua visible.
25. Si el enchufe (cable de alimentación) está dañado, deberá ser sustituido por el fabricante o un representante de mantenimiento para evitar cualquier peligro-

INFORMACIÓN DE SEGURIDAD

26. Asegúrese de que el voltaje y la frecuencia de alimentación sean idénticos a los de la lavadora.
27. No utilice ningún enchufe con una corriente nominal inferior a la de la lavadora. No extraiga nunca el enchufe con la mano húmeda.
28. Para garantizar su seguridad, el enchufe del cable de alimentación debe insertarse en una toma de corriente de tres polos con conexión a tierra. Compruebe cuidadosamente y asegúrese de que su toma de corriente está conectada a tierra de forma adecuada y fiable. Consulte la página 19 para obtener información adicional sobre la conexión a tierra.
29. Esta máquina sólo debe ser reparada por un centro de servicio autorizado y sólo se pueden utilizar accesorios originales.
30. El aparato deberá estar marcado de forma clara y permanente con una advertencia indicando que el aparato está destinado a ser utilizado únicamente con tejidos que hayan sido lavados con agua como agente de limpieza.
31. Si está conectado a un circuito protegido por fusibles, utilice fusibles de retardo con este aparato.
32. No utilice suavizantes o productos para eliminar la estática a menos que lo recomiende el fabricante del suavizante o del producto.

GUARDE ESTAS INSTRUCCIONES USO DOMÉSTICO SOLAMENTE

INSTALACIÓN Y USO

INFORMACIÓN IMPORTANTE SOBRE LA INSTALACIÓN

1. Esta unidad debe estar correctamente instalada y ubicada de acuerdo con las instrucciones de instalación antes de ser utilizada.
2. Almacene e instale la lavadora en un lugar donde no esté expuesta a temperaturas bajo cero ni a las condiciones climáticas exteriores. Esto podría dañar la unidad y anular la garantía.
3. La manguera de agua caliente (roja) debe conectarse a la entrada de agua caliente (roja) y la manguera de agua fría (azul) debe conectarse a la entrada de agua fría (azul).
4. La lavadora debe conectarse a una toma de corriente adecuada que esté correctamente instalada y conectada a tierra de acuerdo con todos los códigos y regulaciones locales. Siga todas las instrucciones de instalación.
5. La unidad debe instalarse en un piso nivelado con una pendiente máxima de 1" (25 mm) en una distancia de 3 pies.

CUANDO NO ESTÉ EN USO

Cierre el suministro de agua cuando la unidad no esté en uso en caso de que las mangueras tengan fugas o se rompan. Se recomienda sustituir las mangueras cada 5 años.

INSTALACIÓN Y USO

Antes del primer uso

Antes de lavar la ropa por primera vez, la lavadora debe funcionar sin ropa añadida.

1. Conecte la fuente de alimentación y el suministro de agua.
2. Ponga una pequeña cantidad de detergente en el dispensador y cierre el dispensador.
3. Cierre la puerta.
4. Seleccione un ciclo de lavado con el dial.
5. Pulse ON/OFF.
6. Pulse el botón de Inicio/Pausa.

NOTA: Si hay fugas de agua mientras se suministra o drena el agua, compruebe las conexiones de agua.

Si la lavadora se balancea y vibra excesivamente, nivele la lavadora de nuevo. Durante el ciclo de enjuague, cuando la lavadora está girando a una velocidad muy alta, es normal que se produzcan algunas vibraciones.

NOTA: Para un mejor rendimiento no cargue el tambor con más de $\frac{3}{4}$ de ropa seca.
NO SOBRECARGUE LA LAVADORA

GUÍA DE INICIO RÁPIDO

Los ajustes predeterminados se pueden cambiar. Consulte la sección USO DEL PANEL DE CONTROL para obtener más información.

1. Añada detergente HE en el dispensador de detergente según las instrucciones del fabricante del detergente. Las cápsulas de detergente HE pueden añadirse a la cubeta de lavado antes de añadir la ropa.
Añada el prelavado opcional y/o el suavizante al dispensador de detergente.
2. **Cargue la ropa, como máximo 3/4 de su capacidad.**
3. Cierre la puerta.
NOTA: La unidad no se pondrá en marcha con la puerta abierta.
4. Pulse ON/OFF para encender la unidad.
5. Gire el dial de selección a un ciclo como NORMAL/ALGODON.
Los valores predeterminados se establecen para cada ciclo de lavado. Estos ajustes predeterminados pueden cambiarse en el panel de control.
6. Pulse el botón de Inicio/Pausa.
Para más detalles sobre los ciclos y la configuración por defecto, consulte la tabla de programas de lavado.

CONFIGURACIÓN Y USO

PANEL DE CONTROL



On/Off
 Pulse una vez para encender la lavadora, pulse de nuevo para apagarla.



Pantalla LED

Selector de dial

Inicio/Pausa
 Pulse el botón para iniciar o pausar el ciclo de lavado.

CONFIGURACIÓN Y USO


1. ON/OFF

Pulse para encender el aparato. Pulse de nuevo para apagarlo.

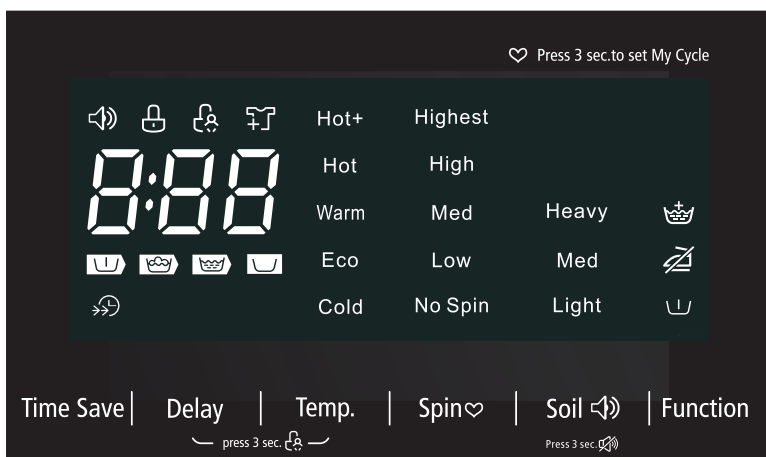
2. Selector de dial

Gire el dial para seleccionar el ciclo

Tabla de programas de lavado

My Cycle	Este es un ajuste para guardar un programa utilizado con frecuencia. Seleccione los ajustes que desea guardar. Pulse y mantenga pulsado SPIN durante 3 segundos. El  se iluminará en el panel de control. Gire el dial a MyCycle para ajustar el ajuste guardado. Para cambiar el ajuste guardado a un programa diferente, seleccione los nuevos ajustes. Pulse y mantenga pulsado SPIN de nuevo para guardar los nuevos ajustes.										
	Tipo de ropa	Carga de lavado (lbs/kgs)	Temperatura. Temperatura por defecto en negrita	Por defecto (Tiempo/horas)	Ahorro de tiempo	Enjuague extra	Planchado fácil	Pre Lavado	Retraso	Nivel de suciedad Por defecto en negrita	Velocidad de centrifugado. Por defecto en negrita
Normal/ Algodón	Algodón o prendas con nivel de suciedad medio.	26.4lbs/12kgs	Caliente+ Caliente , Templado, Eco, Frio	0:55	O	O	O	O	O	Ligero, Medio, Pesado	Bajo, Medio, Alto, Máximo
Prensa permanente	Se utiliza para evitar las arrugas en el lavado.	13.2lbs/6kgs	Templado , Eco, Frio	0:57	O	O	O	O	O	Ligero, Medio, Pesado	Bajo , Medio
Tarea pesada	Artículos pesados que deben lavarse en caliente, como las toallas.	26.4lbs/12kgs	Caliente+ Caliente , Caliente, Eco, Frio	1:40	O	O	O	O	O	Ligero, Medio, Pesado	Bajo, Medio, Alto , Máximo
Voluminoso /Grande	Artículos grandes, como mantas.	13.2lbs/6kgs	Caliente, Caliente, Eco, Frio	1:23	O	O	O	O	O	Ligero, Medio, Pesado	Bajo, Medio, Alto , Máximo
Ropa de deporte	Elimina el olor y la suciedad de la ropa deportiva.	13.2lbs/6kgs	Caliente, Templado , Eco, Frio	0:57	O	O	O	O	O	Ligero, Medio, Pesado	Bajo, Medio, Alto , Máximo
Girar solamente	Centrifugado adicional después de drenar el agua.	26.4lbs/12kgs	--	0:13	--	--	O	--	O	--	Bajo, Medio, Alto , Máximo
Solo drenaje	Drena toda el agua del tambor.	26.4lbs/12kgs	--	0:01	--	--	--	--	O	--	--
Giro de enjuague	Enjuague extra con centrifugado para utilizar sin detergente.	26.4lbs/12kgs	--	0:23	--	--	O	--	O	--	Bajo , Medio, Alto , Máximo
Tina limpia	Limpia el tambor vacío.	--	Caliente+	1:28	--	--	--	--	O	--	--
Sanitario	Utilizar para artículos muy sucios.	13.2lbs/6kgs	Caliente+	2:18	--	O	O	O	O	Ligero, Medio, Pesado	Bajo, Medio, Alto , Máximo
Lavado en frío	Tejidos oscuros o brillantes. Ropa delicada poco sucia.	26.4lbs/12kgs	Frio	1:09	--	O	O	O	O	Ligero, Medio, Pesado	Bajo, Medio, Alto , Máximo
Ropa de bebe	Mayor tiempo de enjuague para eliminar los restos de detergente.	26.4lbs/12kgs	Caliente+ Caliente , Templado, Eco, Frio	1:37	--	O	O	O	O	Ligero, Medio, Pesado	Bajo, Medio, Alto , Máximo
Lana	Artículos de lana etiquetados como lavables.	4.4lbs/2kgs	Templado, Eco , Frio	1:01	--	O	--	--	O	Ligero, Medio, Pesado	Bajo, Medio, Alto
Delicados	Utiliza una temperatura más baja y una velocidad de centrifugado baja para prendas delicadas adecuadas para una lavadora.	5.5lbs/2.5kgs	Templado, Eco , Frio	0:58	--	O	--	--	O	Ligero, Medio, Pesado	Bajo, Medio, Alto
Lavado rápido	Ciclo de lavado corto para pequeñas cantidades de artículos poco sucios.	4.4lbs/2kgs	Caliente, Templado, Eco , Frio	0:36	--	--	--	--	O	Ligero	Bajo, Medio ,

INSTALACIÓN Y USO



PARA CAMBIAR LOS AJUSTES POR DEFECTO EN LA PANTALLA LED

Los ajustes por defecto se iluminan en el panel de control.

Para cambiar la temperatura predeterminada, pulse el botón Temp del panel de control repetidamente para desplazarse por las selecciones.

Para cambiar la velocidad de centrifugado, pulse repetidamente el botón Spin del panel de control para desplazarse por las selecciones.


Para cambiar el nivel de suciedad, pulse el botón Soil del panel de control repetidamente para desplazarse por las selecciones.

NOTA: No todas las opciones están disponibles para cada ciclo. Tenga en cuenta la tabla de ciclos.

3. Pantalla de tiempo

Indica el tiempo restante del ciclo, el tiempo de inicio del retraso y los códigos de error. Para cada ciclo la pantalla mostrará el tiempo restante en cuenta regresiva hasta llegar a 0:00 indicando el final del ciclo.

4. Ahorro de tiempo

Disminuye el tiempo de lavado. Cuando se selecciona, el nuevo tiempo del ciclo y el  símbolo se iluminarán en la pantalla de tiempo. La cantidad de tiempo ahorrado, depende del ciclo de lavado.

5. Retraso

Para retrasar el inicio de su lavadora hasta 24 horas, pulse el botón de Retraso para activarlo después de haber seleccionado los ciclos de lavado. El número mostrado en la pantalla digital indicará cuándo se iniciará el ciclo de lavado. Se añadirá 1 hora a la hora de inicio cada vez que pulse el botón de Retraso hasta 24 horas. Una vez seleccionado el tiempo de retraso, pulse Start/Pause para activarlo.

Si pulsa el botón Delay para superar las 24 horas hasta que la pantalla indique OH, se desactivará la función de retraso y la pantalla se apagará.

Para cancelar la función de Inicio de Retraso una vez iniciado el programa de lavado, pulse On/Off.

NOTA: En caso de que se interrumpa el suministro eléctrico durante el funcionamiento del programa, pulse Start/Pause para reanudar.

INSTALACIÓN Y USO

6. Temperatura

Pulse continuamente Temp para desplazarse por las selecciones: Caliente+, Caliente, Templado, Eco, Frío. La temperatura seleccionada se iluminará en la pantalla LED.

7. Centrifugado

Pulse Spin de forma continua para desplazarse por las selecciones: Máxima, Alta, Media, Baja, Sin centrifugado. La velocidad de centrifugado seleccionada se iluminará en la pantalla LED.

8. Soil

Pulse continuamente la tecla Soil para desplazarse por las selecciones: Heavy (Para ropa muy sucia), Med, Light. El nivel de suciedad seleccionado se iluminará en la pantalla LED.

9. Mute

Pulse el botón Soil durante 3 segundos para silenciar el timbre al final del ciclo. Pulse de nuevo durante 3 segundos para anular el silencio del timbre.

10. Función

Pulse el botón Function de forma continua para seleccionar las funciones de Prelavado, Planchado Fácil y Enjuague Extra. El símbolo correspondiente se iluminará en la pantalla LED para indicar qué funciones están activadas.

Ciclo de prelavado Prewash

Enjuaga la ropa muy sucia antes del ciclo de lavado principal.

Planchado fácil Easy Iron

Después del ciclo de centrifugado, el tambor gira para evitar que la ropa se pegue a los lados del tambor y así evitar que se formen arrugas y pliegues.

Enjuague extra Extra Rinse

Añade un tiempo de enjuague extra.

11. Bloqueo para niños

Utilice esta opción para desactivar los controles, excepto el ON/OFF. Esta función puede evitar que los niños cambien de ciclo. La lavadora sólo puede bloquearse durante un ciclo. Para activar esta función después de poner en marcha la lavadora, mantenga pulsados los botones Delay y Temp al mismo tiempo durante 3 segundos. Se escuchará un sonido y se encenderá la luz indicadora de bloqueo para niños. Para cancelar esta función seleccione de nuevo los botones Temp y Program.

12. Pulse START/PAUSE para iniciar un ciclo después de programar todos los ajustes. Pulse START/PAUSE para pausar un ciclo y añadir una prenda.

Presione START/PAUSE durante 3 segundos para pausar la lavadora.

Para añadir una prenda

Se puede añadir una prenda a la carga al principio de un ciclo. Presione START/PAUSE, luego abra la puerta. Añada la prenda, cierre la puerta y vuelva a pulsar el botón START/PAUSE para reanudar el ciclo.

NOTA: Se puede añadir una prenda cuando el nivel del agua llega justo por debajo de la puerta. Una vez que el nivel de agua se eleva, la puerta no se abrirá y no debe ser forzada.

INSTALACIÓN Y USO

⚠ PRECAUCIÓN: No intente esta función cuando haya agua caliente en el tambor. La puerta no se abrirá y no debe ser forzada. El intento de forzar la puerta para que se abra podría causar daños a la unidad.

NOTA: En caso de interrupción del suministro eléctrico durante el funcionamiento del programa, pulse Start/Pause para reanudarlo.

USO DE LA LAVADORA

⚠ ADVERTENCIA:

Nunca introduzca las manos dentro de la lavadora hasta que el tambor deje de girar. No introduzca ningún tejido con gasolina, petróleo, bencina, diluyente de pintura, alcohol o cualquier otra sustancia inflamable.

No introduzca artículos empapados de aceite en la lavadora.

No intente lavar artículos con plástico, espuma o goma.

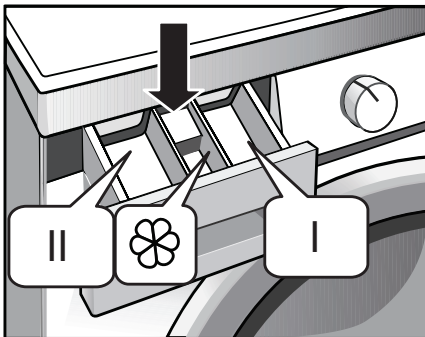
No deje nunca la ropa en la bañera durante mucho tiempo. Esto puede causar moho, arrugas, etc.

Detergente

1. Esta lavadora está diseñada sólo para detergente de alta eficiencia (HE), para evitar la formación excesiva de espuma.
2. Añada la cantidad de detergente recomendada por el fabricante directamente en el compartimento del detergente antes de poner en marcha la lavadora.
3. Reduzca siempre la cantidad de detergente si la carga es pequeña o está poco sucia, o si el agua es muy blanda. Nunca utilice más de la cantidad máxima recomendada por el fabricante del detergente.

Dispensador de detergente

1. Retire el cajón. El detergente de alta eficacia debe añadirse en el cajón izquierdo (II). Si se utiliza un POD de detergente, se puede añadir directamente en la cubeta de lavado.
2. El detergente de prelavado opcional debe añadirse en el compartimento del extremo derecho para los artículos muy sucios (I).
3. El suavizante (opcional) puede utilizarse en el compartimento central(⊗).



INSTALACIÓN Y USO

Clasificación y carga

1. Antes de cargar la ropa, asegúrese de sacar las monedas, las llaves y otros objetos sólidos, y cierre todos los ganchos y cremalleras.
2. Siga las instrucciones del fabricante en la etiqueta de la ropa para conocer las instrucciones de lavado. Clasifique la ropa según el color (claro, medio, oscuro), el tipo de tejido (prendas delicadas, de planchado permanente), la temperatura de lavado necesaria, el nivel de suciedad, etc. El lavado de prendas que no son seguras por su color puede decolorar las demás prendas de la carga. La mezcla de colores puede hacer que los tintes destiñan las otras prendas.
3. Las prendas con bordados o botones deben ponerse del revés.
4. Las prendas con ganchos o cremalleras pueden lavarse en una bolsa de malla para que no se enganchen con otras prendas ni rayen el tambor.
5. Las prendas que producen mucha pelusa deben lavarse por separado.
6. Los artículos pesados por separado pueden hacer que la carga se desequilibre. Si la lavadora vibra y hace un ruido fuerte pulse start/pause para redistribuir la carga.
7. No cargue más de $\frac{3}{4}$ de ropa seca.

LIMPIEZA Y CUIDADO

LIMPIEZA Y MANTENIMIENTO

⚠ ADVERTENCIA: Desenchufe el cable de corriente antes de limpiar cualquier parte de la unidad.

La lavadora debe limpiarse regularmente. No mantener la unidad en condiciones de limpieza podría provocar el deterioro de la superficie, lo que podría afectar negativamente a la vida útil del aparato. No utilice productos químicos fuertes o disolventes en ninguna parte de la máquina ni vierta agua o limpiador directamente sobre ella.

Limpieza del exterior

Limpie con un paño suave y húmedo o con una solución suave de agua y jabón. No utilice polvos o almohadillas abrasivas. No rocíe limpiadores directamente sobre el panel de control.

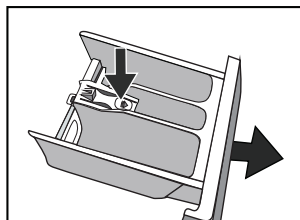
Limpieza del interior

Seleccione el ciclo Tub Clean y haga funcionar la lavadora sin ninguna ropa cargada. Se puede añadir 1 taza de lejía directamente en la bañera. Se pueden utilizar pastillas o polvo de limpieza según las instrucciones del fabricante.

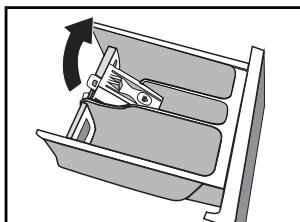
Los objetos metálicos (pines de seguridad, pinzas para el pelo, etc.) en el tambor pueden rayar la superficie del tambor y hacer que se oxide. Si aparece óxido en la superficie del tambor, aplique un agente limpiador neutro en la superficie y utilice una esponja para limpiarla. Nunca utilice un cepillo metálico o un estropajo para limpiar.

Limpieza del dispensador de detergente

1. Abra el dispensador de detergente y presione hacia abajo como indica la flecha.

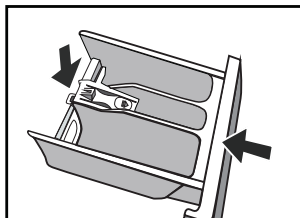


2. Levante el clip y retire la tapa.

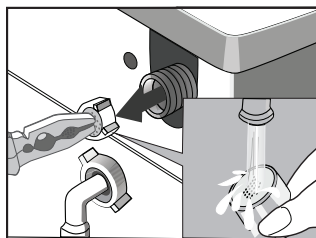


3. Enjuague con agua.

4. Vuelva a colocar la tapa y empuje el dispensador a su posición original.



LIMPIEZA Y CUIDADOS



Limpieza del filtro de entrada

Cierre el suministro de agua y desconecte la manguera de entrada.

Saque el filtro con unos alicates, extrayéndolo tal y como se muestra. Limpie el filtro y vuelva a instalarlo.

Vuelva a conectar la manguera de entrada.

Abra el suministro de agua y asegúrese de que no hay fugas de agua.

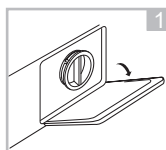
Filtro de la bomba de desagüe:

El filtro de la bomba de desagüe recoge las pelusas y los objetos pequeños para que no pasen por el desagüe. Debe limpiarse aproximadamente una vez al mes, dependiendo de la frecuencia de uso.

Si la lavadora no se vacía o centrifuga correctamente o si hace un ruido inusual durante el vaciado, puede haber una obstrucción.

⚠ ADVERTENCIA: No se debe acceder al filtro de la bomba de desagüe mientras la unidad esté en funcionamiento o se acabe de completar el ciclo. Puede haber agua caliente en la bomba. Deje que el agua se enfríe antes de acceder a ella.

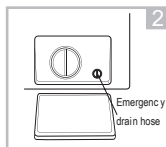
NOTA: Para evitar derrames, coloque una bandeja debajo del compartimiento.



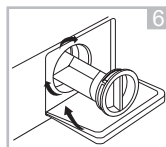
1 Para acceder al filtro de la bomba de desagüe, abra el compartimiento situado en la parte inferior derecha de la máquina.



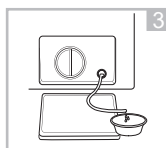
5 Retire los residuos. Enjuague el filtro de la bomba.



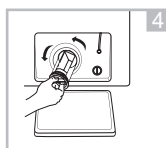
2 Gire la tapa 90° y saque la manguera pequeña.



6 Vuelva a colocar el filtro de la bomba y cierre el compartimiento.



3 Vacíe el agua de la manguera pequeña en un recipiente (no incluido).

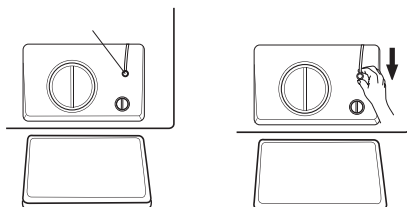


4 Retire el filtro de la bomba girándolo en sentido contrario a las agujas del reloj para sacarlo.

LIMPIEZA Y CUIDADOS

Puerta de la lavadora:

La puerta de la lavadora no se puede abrir si hay un corte de energía. Si es necesario abrir la puerta, utilice el cordón de tracción situado en el compartimento inferior derecho. Vuelva a colocar el cordón en su posición original después de abrir la puerta.



⚠ ADVERTENCIA: No utilice este cordón durante el ciclo de lavado.

ALMACENAMIENTO:

No almacene la lavadora en ningún lugar en el que pueda estar expuesta a la intemperie o a temperaturas frías que puedan provocar la congelación de las tuberías.

Para el almacenamiento a largo plazo, o si la lavadora no se va a utilizar durante un largo período de tiempo, desconecte el suministro eléctrico. Desconecte todas las mangueras y drene. Limpie el interior de la unidad y mantenga la puerta abierta hasta que se haya secado completamente. Limpie todos los filtros.

INSTRUCCIONES DE INSTALACIÓN

ADVERTENCIAS Y PRECAUCIONES DE INSTALACIÓN

ADVERTENCIA:

1. Enchufe el cable de corriente en un tomacorriente de pared de 120V/60Hz con capacidad de 15 amperios o más. Utilice la toma de corriente sólo para esta lavadora.
2. No utilice un cable de extensión.
 - Compartir una toma de corriente con otro electrodoméstico, utilizar un multitomas o alargar el cable de corriente puede provocar una descarga eléctrica o un incendio.
 - No utilice un transformador eléctrico. Puede provocar una descarga eléctrica o un incendio.
 - Asegúrese de que el voltaje, la frecuencia y la corriente eléctrica coinciden con las especificaciones del producto. No hacerlo puede provocar una descarga eléctrica o un incendio.
3. Encargue la instalación de este aparato a un técnico cualificado o a una empresa de servicios.
 - No hacerlo puede provocar una descarga eléctrica, un incendio, una explosión, problemas con el producto o lesiones.
4. Elimine regularmente todas las sustancias extrañas, como el polvo o el agua, de los terminales del enchufe y de los puntos de contacto con un paño seco.
 - Desenchufe el conector de corriente y límpielo con un paño seco.
 - No hacerlo puede provocar una descarga eléctrica o un incendio.
5. Conecte el enchufe a la toma de corriente con firmeza. No utilice un enchufe dañado ni afloje la toma de corriente.
 - Esto puede provocar una descarga eléctrica o un incendio.
6. No tire ni doble excesivamente el cable de corriente.
7. No retuerza ni amarre el cable de corriente.
8. No enganche el cable de corriente sobre un objeto metálico, no coloque un objeto pesado sobre el cable de corriente, no inserte el cable de corriente entre objetos ni empuje el cable de corriente en el espacio que hay detrás del aparato.
 - Esto puede provocar una descarga eléctrica o un incendio.
9. No tire del cable de corriente cuando desenchufe el aparato.
 - Desenchufe el conector sujetándolo.
 - Si no lo hace, puede provocar una descarga eléctrica o un incendio.
10. Si el enchufe o el cable de corriente están dañados, póngase en contacto con el centro de servicio más cercano.
11. No instale este aparato cerca de un calentador o material inflamable.
12. No instale este aparato en un lugar húmedo, aceitoso o polvoriento, ni en un lugar expuesto a la luz solar directa o al agua (gotas de lluvia).

INSTRUCCIONES DE INSTALACIÓN

ADVERTENCIA:

13. No instale este aparato en un lugar donde pueda haber una fuga de gas.
- Esto puede provocar una descarga eléctrica o un incendio.
14. Si se traslada la lavadora a un nuevo lugar, haga que la revise y la reinstale un técnico de servicio cualificado.
- El incumplimiento de esta advertencia puede provocar una descarga eléctrica o un incendio.
15. No instale la lavadora sobre una alfombra. Instale la lavadora sobre un suelo nivelado y sólido que pueda soportar su peso.
- Si no lo hace puede provocar vibraciones anormales, ruido o problemas con el producto.
16. La lavadora es pesada. Pueden ser necesarias dos o más personas para instalar y mover el aparato.
- Si no lo hacen, pueden producirse lesiones corporales o de otro tipo.
17. Almacene e instale la lavadora en un lugar donde no esté expuesta a temperaturas por debajo del punto de congelación ni a las condiciones climáticas exteriores.
- Si no lo hace, puede provocar graves daños por fugas.
18. Coloque el aparato de forma que el enchufe sea fácilmente accesible.
- Si no lo hace, puede provocar una descarga eléctrica o un incendio debido a una fuga eléctrica.
19. Para reducir el riesgo de lesiones a las personas, siga todas las instrucciones de seguridad recomendadas por la industria.
- Si no se siguen todas las advertencias de seguridad de este manual, pueden producirse daños materiales o lesiones personales.

INSTRUCCIONES DE INSTALACIÓN

INSTRUCCIONES DE CONEXIÓN A TIERRA

ADVERTENCIA

El uso inadecuado del enchufe de conexión a tierra puede dar lugar a un riesgo de descarga eléctrica.

Consulte a un electricista o técnico cualificado si:

- 1) No se entienden completamente las instrucciones de conexión a tierra.
- 2) No está seguro de que el aparato esté correctamente conectado a tierra.
- 3) Tiene alguna duda sobre la conexión a tierra o las instrucciones eléctricas.


ADVERTENCIA


La conexión incorrecta del conductor de conexión a tierra del aparato puede suponer un riesgo de descarga eléctrica. Consulte a un electricista o técnico cualificado si tiene dudas sobre si el aparato está correctamente conectado a tierra.


No modifique el enchufe suministrado con el aparato - si no se ajusta a la toma de corriente, haga que un electricista cualificado instale una toma de corriente adecuada.

Esta lavadora requiere una conexión a tierra.

Este aparato debe estar conectado a tierra. En caso de mal funcionamiento o avería, la conexión a tierra reducirá el riesgo de descarga eléctrica al proporcionar un camino de menor resistencia para la corriente eléctrica. Este aparato está equipado con un cable de corriente con un enchufe de tres patas con conexión a tierra para su uso en una toma de corriente correctamente instalada y con conexión a tierra. El enchufe debe conectarse a una toma de corriente apropiada que esté correctamente instalada y conectada a tierra de acuerdo con todos los códigos y ordenanzas locales.

 ADVERTENCIA: Una conexión incorrecta del conductor de tierra del aparato puede aumentar el riesgo de descarga eléctrica. Consulte a un electricista o técnico cualificado si no está seguro de que el aparato está correctamente conectado a tierra. No modifique el enchufe suministrado con el aparato. Si no se ajusta a la toma de corriente, haga que un electricista cualificado instale una toma de corriente adecuada. Para evitar un riesgo innecesario de incendio, descarga eléctrica o lesiones personales, todo el cableado y la conexión a tierra deben realizarse de acuerdo con el Código Eléctrico Nacional ANSI/FNPA, No.70 Última Revisión y los códigos y regulaciones locales. Es responsabilidad personal del propietario del aparato proporcionar un servicio eléctrico adecuado para este aparato. Nunca conecte el cable de tierra a las líneas de plomería de plástico, líneas de gas o tuberías de agua caliente.

 ADVERTENCIA: Algunas piezas internas no están conectadas a tierra intencionadamente y pueden presentar un riesgo de descarga eléctrica sólo durante el mantenimiento. Personal de servicio: No haga contacto con las siguientes partes mientras el aparato esté energizado: Válvula Eléctrica, Bomba de Drenaje, Puerta o Cerradura.

 ADVERTENCIA: La corriente máxima que puede pasar por el aparato es de 12A cuando se utiliza su función de calentamiento. Asegúrese de que el sistema de alimentación (corriente, voltaje y cable) pueda cumplir con los requisitos de carga normales de los aparatos eléctricos.

INSTRUCCIONES DE INSTALACIÓN

ADVERTENCIAS DE USO Y MANTENIMIENTO

ADVERTENCIA:

1. En caso de que el aparato se inunde, corte la corriente inmediatamente y póngase en contacto con el servicio técnico más cercano.
2. Si el aparato emite un ruido extraño, un olor a quemado o humo, desconecte el enchufe inmediatamente y póngase en contacto con el centro de servicio más cercano.
 - No hacerlo puede provocar una descarga eléctrica o un incendio.
3. En caso de una fuga de gas (como gas propano, gas LP, etc.), ventile el área inmediatamente. No encienda ni apague ningún aparato o luz.
 - No utilice un ventilador.
 - Una chispa puede provocar una explosión o un incendio.
4. No lave objetos contaminados con gasolina, queroseno, benceno, disolvente de pintura, alcohol, detergente de limpieza en seco u otras sustancias inflamables o explosivas.
 - Esto puede provocar una descarga eléctrica, un incendio o una explosión.
5. No fuerce la puerta de la lavadora para abrirla mientras esté en funcionamiento (lavado/centrifugado a alta temperatura).
 - El agua que sale de la lavadora puede causar quemaduras o hacer que el suelo esté resbaladizo. Esto puede provocar lesiones.
 - Forzar la puerta para abrirla puede dañar el producto o causar lesiones.
6. Asegúrese de retirar el embalaje (esponja, espuma de poliestireno) adherido a la parte inferior de la lavadora y también retire los (4) pernos de transporte antes de utilizar la máquina.
7. No introduzca la mano o un objeto metálico debajo de la lavadora.
 - Esto puede provocar lesiones.
8. No intente hacer funcionar este aparato si está dañado, funciona mal, está parcialmente desmontado o le faltan piezas o están rotas, incluyendo un cable o un enchufe dañado.
 - Esto puede provocar una descarga eléctrica, un incendio o la muerte.
9. No toque el enchufe con las manos mojadas.
 - Esto puede provocar una descarga eléctrica.
10. No apague el aparato desconectando el enchufe mientras la lavadora está en funcionamiento.
 - Si vuelve a conectar el enchufe a la toma de corriente, puede producirse una chispa y provocar una descarga eléctrica o un incendio.
11. Mantenga todo el material de embalaje fuera del alcance de los niños, ya que los materiales de embalaje pueden ser peligrosos para los niños.
 - Para evitar el peligro de asfixia, manténgalo fuera del alcance de bebés y niños.
12. No permita que los niños o personas enfermas utilicen esta lavadora sin supervisión.
 - Si no atiende esta advertencia, puede provocar una descarga eléctrica, quemaduras o lesiones.

INSTRUCCIONES DE INSTALACIÓN

ADVERTENCIA:

13. No intente reparar, desmontar o modificar el aparato usted mismo.
 - No utilice ningún fusible (como el de cobre, el de acero, etc.) que no sea el fusible estándar.
 - Si necesita reparar o reinstalar el aparato, póngase en contacto con el servicio técnico más cercano.
 - Si no lo hace, puede provocar una descarga eléctrica, un incendio, problemas con el producto o lesiones.
14. Si cualquier sustancia extraña, como el agua, entra en el aparato en cualquier zona que no sea el tambor, desconecte el enchufe y póngase en contacto con el centro de servicio más cercano.
 - No hacerlo puede provocar una descarga eléctrica o un incendio.
15. Si la manguera de suministro de agua se suelta del grifo y se inunda el aparato, desconecte el enchufe.
 - Si no lo hace puede provocar una descarga eléctrica o un incendio.
16. No mezcle la lejía con amoníaco o ácidos como el vinagre.
 - El uso incorrecto puede producir gas venenoso, provocando lesiones graves.
17. No introduzca la mano en la lavadora mientras las piezas estén en movimiento. Antes de cargar, descargar o añadir artículos, pulse el botón START/PAUSE y deje que el tambor se detenga por completo antes de meter la mano en el interior.
 - Si no atiende esta advertencia, puede provocar una descarga eléctrica, lesiones o un incendio.
18. No permita que los niños jueguen sobre o dentro de la lavadora. Es necesario supervisar de cerca a los niños cuando la lavadora se utiliza cerca de ellos. A medida que los niños crecen, enséñeles el uso correcto y seguro de todos los aparatos.
 - Si no lo hace, puede provocar lesiones graves a las personas.
19. Mantenga los productos de lavandería fuera del alcance de los niños. Observe todas las advertencias de las etiquetas de los productos y siga las instrucciones.
 - Si no lo hace, puede provocar lesiones graves a las personas.
20. Desconecte este aparato de la red eléctrica antes de realizar cualquier tipo de mantenimiento por parte del usuario. El hecho de poner los controles en la posición OFF no desconecta este aparato de la red eléctrica.
 - No hacerlo puede provocar una descarga eléctrica, lesiones o un incendio.
21. No limpie el aparato rociando agua directamente sobre él.
22. No utilice bencina, disolvente o alcohol para limpiar el aparato.
 - Esto puede provocar decoloración, deformación, daños, descargas eléctricas o incendios.
23. Asegúrese que los niños no se suban o se sienten sobre el aparato.
24. No se apoye en la puerta.
25. No modifique el enchufe suministrado con el aparato.
 - Si no encaja en la toma de corriente, contrate a un electricista para que instale una toma de corriente adecuada.

INSTRUCCIONES DE INSTALACIÓN

ADVERTENCIAS DE USO Y MANTENIMIENTO

ADVERTENCIA:

1. Desenchufe el cable de corriente cuando el aparato no se utilice durante mucho tiempo o durante una tormenta eléctrica.
 - No hacerlo puede provocar una descarga eléctrica o un incendio.
2. Mantenga las manos y los objetos extraños alejados de la puerta y de la zona del cierre al cerrar la puerta.
 - El no hacerlo puede provocar lesiones personales.
3. Si la lavadora está contaminada por una sustancia extraña, como detergente, suciedad, residuos de alimentos, etc., desenchufe el cable de alimentación y limpie la lavadora con un paño suave y húmedo.
 - No hacerlo puede provocar decoloración, deformación, daños u oxidación.
4. La parte transparente de la puerta puede romperse por un impacto fuerte. Tenga cuidado al utilizar la lavadora.
 - Si la parte transparente se agrieta o se rompe, puede provocar lesiones.
5. Después de un fallo en el suministro de agua o al reconectar la manguera de suministro de agua, abra el grifo lentamente.
6. Abra el grifo lentamente después de un largo período de inactividad.
 - La presión de aire en la manguera de suministro de agua o en la tubería de agua puede provocar daños en una pieza o una fuga de agua.
7. Si se produce un error de drenaje durante una operación, compruebe si hay un problema de drenaje.
 - Si la lavadora se utiliza cuando está inundada debido a un problema de drenaje, puede producirse una descarga eléctrica o un incendio debido a una fuga eléctrica.
8. No introduzca la mano o un objeto metálico debajo de la lavadora.
 - Esto puede provocar lesiones.
9. Introduzca la ropa en la lavadora completamente para que la ropa no quede atrapada en la puerta.
 - Si la ropa queda atrapada en la puerta, puede dañar la ropa o la lavadora, o provocar una fuga de agua.
10. Asegúrese que el grifo esté cerrado cuando no se utilice la lavadora.
 - Asegúrese que los conectores de la manguera de suministro de agua estén bien apretados.
 - No hacerlo puede provocar daños materiales o lesiones.
11. Abra el grifo y compruebe que los conectores de la manguera de suministro de agua están bien apretados y que no hay fugas de agua antes de utilizar el producto.
 - Si los conectores de la manguera de suministro de agua están flojos, puede producirse una fuga de agua.
12. No se ponga encima del aparato ni coloque objetos (como ropa, velas encendidas, cigarrillos encendidos, platos, productos químicos, objetos metálicos, etc.) sobre el aparato.
 - Esto puede provocar una descarga eléctrica, un incendio, problemas con el producto o lesiones.
13. No utilice el aparato con las manos mojadas.
 - Esto puede provocar una descarga eléctrica.
14. No rocíe material volátil, como insecticida, sobre la superficie del aparato.
 - Además de ser perjudicial para las personas, puede provocar una descarga eléctrica, un incendio o problemas con el producto.

INSTRUCCIONES DE INSTALACIÓN

ADVERTENCIA:

15. No coloque un objeto que genere un campo electromagnético cerca de la lavadora.
 - Esto puede resultar en lesiones debido a un mal funcionamiento.
16. Dado que el agua que se drena durante un lavado a alta temperatura está caliente, no toque el agua.
 - Esto puede dar lugar a quemaduras o lesiones.
17. No lave, ni centrifugue, asientos, alfombrillas o ropa resistentes al agua.
 - No lave alfombrillas gruesas y duras, aunque la marca de la lavadora esté en la etiqueta de cuidado.
 - Esto puede provocar lesiones o daños en la lavadora, las paredes, el suelo o la ropa debido a las vibraciones anormales.
18. No haga funcionar la lavadora cuando el dispensador de detergente esté retirado.
 - Esto puede resultar en una descarga eléctrica o en lesiones debido a una fuga de agua.
19. No introduzca la mano en el dispensador de detergente después de abrirlo.
 - Esto puede resultar en lesiones ya que su mano puede quedar atrapada.
20. No introduzca en la lavadora objetos que no sean objetos para lavar, como zapatos, restos de comida o animales.
 - Esto puede causar vibraciones anormales que pueden dañar la lavadora y, en el caso de las mascotas, causar lesiones graves o la muerte.
21. No pulse los botones con objetos afilados como alfileres, cuchillos, uñas, etc.
 - Esto puede provocar una descarga eléctrica o lesiones.
22. No lave la ropa contaminada con aceites, cremas o lociones que suelen encontrarse en las tiendas de cuidado de la piel o en las clínicas de masaje.
 - Esto puede provocar la deformación de la junta de goma y causar una fuga de agua.
23. Asegúrese que la tubería de entrada de agua esté conectada y el grifo abierto antes de lavar la ropa.
24. No deje objetos metálicos (pines de seguridad, broches para el pelo, etc.) o lejía en la bañera durante largos periodos de tiempo.
 - Esto puede hacer que el tambor se oxide..
 - Si aparece óxido en la superficie del tambor, aplique un producto de limpieza neutro en la superficie y utilice una esponja para limpiarla. No utilice nunca un cepillo metálico.
25. No utilice agua caliente procedente de dispositivos de refrigeración/calefacción de agua.
 - Esto puede provocar problemas en la lavadora.
26. No utilice jabón natural para lavar a mano en la lavadora.
 - Si se endurece y se acumula dentro de la lavadora, puede causar problemas con el producto, decoloración, óxido o malos olores.
27. No lave prendas grandes como la ropa de cama en la red de lavado.
 - Si no lo hace, puede provocar lesiones debido a las vibraciones anormales.
 - Coloque artículos más pequeños, como calcetines de encaje y ropa interior en la red de lavado.
28. No utilice detergente endurecido.
 - Si se acumula en el interior de la lavadora, puede producirse una fuga de agua.
29. No lave alfombras o tapetes.
 - Si lava alfombras o tapetes, la arena se acumulará dentro de la lavadora.
 - Puede dar lugar a un error como la falta de drenaje.
30. No cierre la puerta con excesiva fuerza.
31. No llene demasiado el aparato. Asegúrese que la ropa esté bien distribuida.

INSTRUCCIONES DE INSTALACIÓN

TRANSPORTE DE LA MÁQUINA

1. Los tornillos de transporte deben ser reinstalados en la máquina antes de su traslado para evitar daños en la unidad.
2. El agua acumulada debe ser drenada de la máquina antes de su traslado.
3. Manipule la máquina con cuidado. La puerta no puede utilizarse como manija durante el traslado de la unidad.

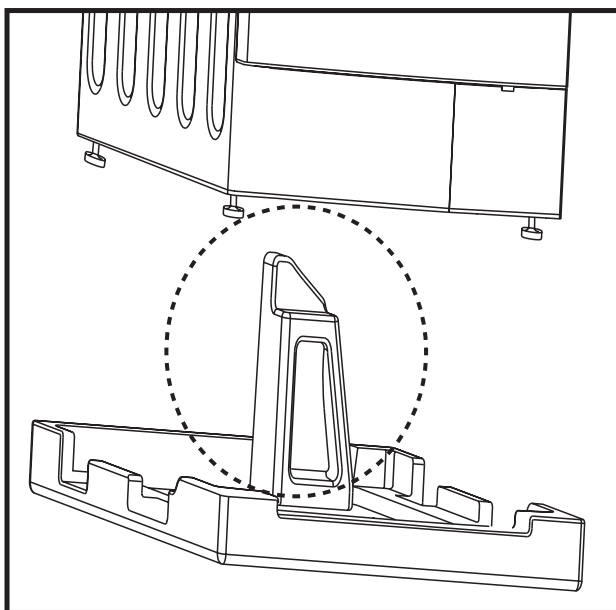
DESEMBALAJE Y RETIRADA DEL MATERIAL DE TRANSPORTE

Retire la caja de embalaje y levante la lavadora y sepárela de la base de espuma. Abra la puerta para retirar los accesorios.

NOTA: La lavadora debe ser desembalada por 2 o más personas debido a su peso. Retire la caja de embalaje y levante la lavadora y sepárela de la base de espuma. Abra la puerta para retirar los accesorios. Ponga la unidad de lado para asegurarse de que todas las pequeñas piezas triangulares de espuma se retiren de la parte inferior de la unidad.

⚠ ADVERTENCIA: Los materiales de embalaje pueden ser peligrosos para los niños. Mantenga todo el material de embalaje (bolsas de plástico, poliestireno, etc.) fuera del alcance de los niños.

⚠ PRECAUCIÓN: No haga funcionar este aparato sobre la base de espuma. Debe colocarse sobre un suelo nivelado.

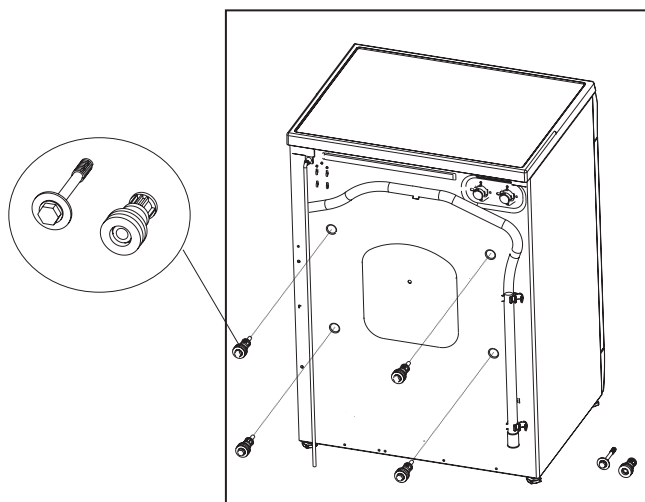


INSTRUCCIONES DE INSTALACIÓN

RETIRADA DE LOS TORNILLOS DE TRANSPORTE

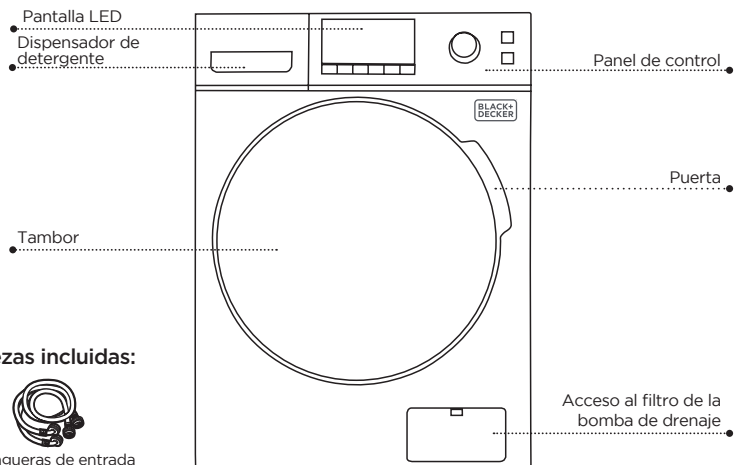
Antes de utilizar esta lavadora, es necesario retirar los tornillos de transporte de la parte trasera de la misma.

1. Afloje todos los tornillos con una llave inglesa para retirarlos.
2. Cubra los agujeros con los tapones para agujeros de transporte suministrados.
3. Guarde los tornillos de transporte en un lugar seguro para su uso futuro. Si la unidad necesita ser transportada en cualquier momento, los tornillos de transporte deben ser reinsertados para evitar daños a la unidad.



INSTRUCCIONES DE INSTALACIÓN

PARTES Y CARACTERÍSTICAS



Piezas incluidas:



Mangueras de entrada de agua caliente y fría



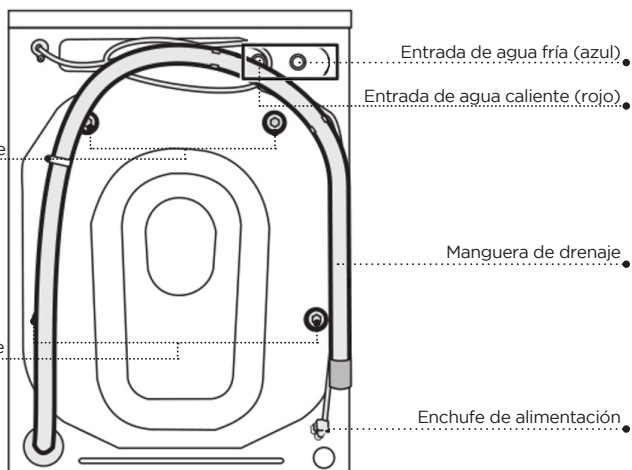
Tapones del orificio de transporte

Soporte en U



Tornillos de transporte

Tornillos de transporte



INSTRUCCIONES DE INSTALACIÓN

HERRAMIENTAS NECESARIAS



Llave inglesa



Alicates ajustables con bloqueo de canal



Nivel

El kit de rotura de sifón, las mangueras adicionales u otras piezas podrían comprarse por separado dependiendo del método de drenaje seleccionado. Consulte en su ferretería local.

ELIJA LA UBICACIÓN ADECUADA

SUELO

Para un mejor rendimiento, debe instalar su lavadora en una superficie rígida, seca y nivelada. Los suelos de madera pueden necesitar ser reforzados para minimizar las vibraciones y/o situaciones de carga desequilibrada.

- Las alfombras y las superficies de baldosas blandas son factores que contribuyen a la vibración y pueden hacer que su lavadora se mueva ligeramente durante el ciclo de centrifugado.

⚠ ADVERTENCIA: No instale su lavadora en áreas donde el agua pueda congelarse, ya que su lavadora siempre retendrá algo de agua en sus áreas de válvula de agua, bomba y manguera. El agua congelada puede dañar las correas, la bomba, las mangueras y otros componentes. Nunca instale la lavadora sobre una plataforma o una estructura débilmente apoyada.

La unidad debe ser instalada en un piso nivelado con una pendiente máxima de 1" (25mm) en una distancia de 3 pies.

ELECTRICIDAD

Utilice un fusible o disyuntor de 120Volt 60Hz de 15 o 20 amperios. Se recomienda un circuito derivado individual que sirva sólo a la lavadora.

La lavadora debe estar ubicada cerca de un tomacorriente con conexión a tierra situado a menos de 1,8 m (6 pies) del lugar donde el cable de alimentación está conectado a la parte posterior de la lavadora. Consulte "Requisitos eléctricos".

⚠ ADVERTENCIA: Nunca utilice un cable de extensión.

INSTRUCCIONES DE INSTALACIÓN

SUMINISTRO DE AGUA

Para llenar correctamente su lavadora en el tiempo adecuado, se requiere una presión de agua de 20 a 100 psi (100 a 500kPa). Una presión de agua inferior a 20 psi puede causar un fallo en la válvula de agua, o puede no permitir que la válvula de agua se cierre completamente, o puede prolongar el tiempo de llenado más allá de lo que permiten los controles de su lavadora, haciendo que ésta se apague e indique un error. Los controles tienen un límite de tiempo para evitar que se inunde su casa si se suelta una manguera.

El grifo de agua debe estar a menos de 4 pies/122cm de la parte trasera de su lavadora para que coincida con las mangueras de entrada proporcionadas con su lavadora.

El calentador de agua debe estar ajustado para suministrar agua de 120°F (49°C) a la lavadora.

Para evitar la posibilidad de que el agua se dañe:

- Tenga los grifos de agua fácilmente accesibles.
- Compruebe periódicamente que no hay fugas en los accesorios de la manguera de entrada de agua.

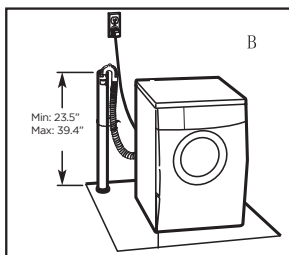
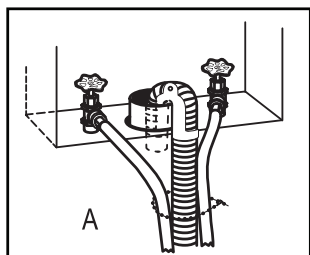
DRENAJE

La manguera de desagüe está conectada a la parte inferior de la unidad. El otro extremo de la manguera debe colocarse utilizando uno de los siguientes métodos:

Tubo vertical

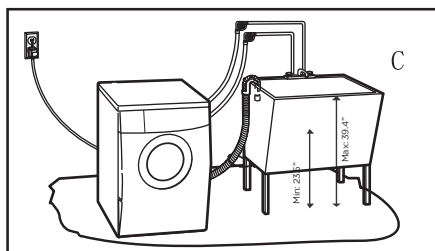
El tubo vertical no debe ser inferior a 60 cm ni superior a 100 cm desde la parte inferior de la lavadora.

La manguera de desagüe debe pasar por la abrazadera de la manguera de desagüe hasta el tubo vertical. El tubo vertical debe ser lo suficientemente grande como para aceptar el diámetro exterior de la manguera de desagüe.



Fregadero

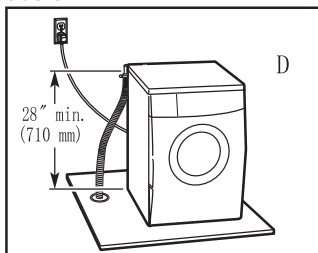
La parte superior del fregadero no debe ser inferior a 23,5" (60cm). La capacidad del fregadero debe ser de un mínimo de 20 galones (76L).



INSTRUCCIONES DE INSTALACIÓN

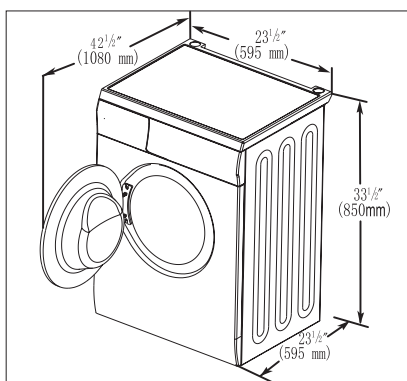
Drenaje en el suelo

Puede adquirir por separado un kit de rotura de sifón en su ferretería local para drenar el agua al suelo. La rotura del sifón debe estar a un mínimo de 28" (710 mm) de la parte inferior de la lavadora.



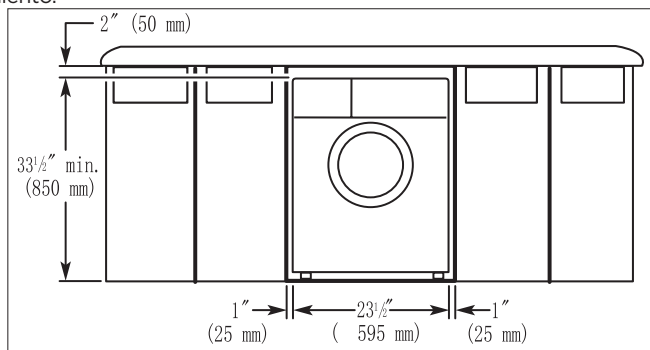
ESPACIO LIBRE PARA LA INSTALACIÓN

La ubicación debe ser lo suficientemente grande como para permitir que la puerta de la lavadora se abra completamente. La puerta se abre más de 90° y no es reversible. Se recomienda un espacio adicional de aproximadamente 25 mm en todos los lados de la lavadora para reducir el ruido y las vibraciones.



ESPACIO LIBRE REQUERIDO PARA LA APLICACIÓN EMPOTRADA

La ubicación y el espacio libre deben considerarse para facilitar la instalación y el mantenimiento.

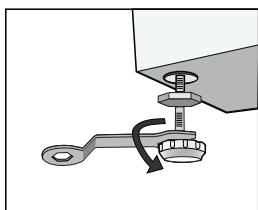


INSTRUCCIONES DE INSTALACIÓN

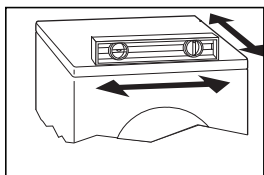
Nivelación de la lavadora

Al trasladar la unidad a su ubicación definitiva, asegúrese que las patas de nivelación estén colocadas cerca de la lavadora y no extendidas para evitar que se dañen las patas de nivelación.

Las patas niveladoras pueden ajustarse girándolas para subir o bajar la pata con una llave ajustable (no incluida).



Después de colocar la unidad en su ubicación final, no debe balancearse al presionar las esquinas superiores de la unidad. También se puede utilizar un nivelador. Si la unidad no es estable, las patas de nivelación deben ajustarse para estabilizarla.



Las 4 patas de nivelación deben ser presionadas firmemente en el suelo, y la unidad debe ser completamente estable antes de operar la lavadora.

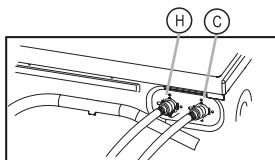
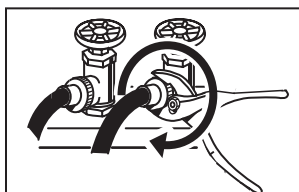
Conexión de las mangueras de entrada

Conecte la manguera de entrada (azul) al suministro de agua fría. Gire en el sentido de las agujas del reloj para apretarla.

Conecte el otro extremo de la manguera de entrada del suministro de agua fría a la válvula de entrada (azul) en la parte trasera de la unidad marcada como C, girando en el sentido de las agujas del reloj para apretarla.

Conecte la manguera de entrada (roja) al suministro de agua caliente. Gire en el sentido de las agujas del reloj para apretar.

Conecte el otro extremo de la manguera de entrada del suministro de agua caliente a la válvula de entrada (roja) en la parte trasera de la unidad marcada con H girando en el sentido de las agujas del reloj para apretar.



Abra el suministro de agua para asegurarse que no hay fugas en las conexiones. Si hay alguna fuga, apriete la conexión girando en el sentido de las agujas del reloj.

TROUBLESHOOTING & WARRANTY

ANTES DE LLAMAR AL SERVICIO TÉCNICO

SI LA UNIDAD NO FUNCIONA:

A) Compruebe que la unidad está bien enchufada. Si no lo está, retire el enchufe de la toma de corriente, espere 10 segundos y vuelva a enchufarlo con seguridad.

B) Compruebe si se ha fundido un fusible o se ha disparado el disyuntor principal. Si estos parecen funcionar correctamente, pruebe la toma de corriente con otro aparato.

SI NADA DE LO ANTERIOR RESUELVE EL PROBLEMA, PÓNGASE EN CONTACTO CON NUESTRO CENTRO DE SATISFACCIÓN DEL CLIENTE. NO INTENTE AJUSTAR O REPARAR USTED MISMO.

IMPORTANTE

NO DEVUELVA ESTE PRODUCTO A LA TIENDA

Si tiene un problema con este producto, póngase en contacto con el centro de satisfacción del cliente de BLACK+DECKER al 844-299-0879.

PRUEBA DE COMPRA CON FECHA, NÚMERO DE MODELO Y NÚMERO DE SERIE NECESARIO PARA EL SERVICIO DE GARANTÍA

SOLUCIÓN DE PROBLEMAS Y GARANTÍA

SOLUCIÓN DE PROBLEMAS

Solucione su problema utilizando la siguiente tabla. Si la unidad sigue sin funcionar correctamente, póngase en contacto con el centro de servicio al cliente de W Appliance Co. o con el centro de servicio autorizado más cercano. El cliente nunca debe reparar los componentes internos.

SÍNTOMAS	POSIBLE CAUSA	SOLUCIONES
La lavadora no arranca	La puerta puede no estar bien cerrada. Es posible que el enchufe no esté insertado. Puede que el grifo de suministro de agua no esté abierto. No se ha pulsado "On/Off". Puede que se pulse "Start/Pause".	Cierre bien la puerta. Asegúrese de que el enchufe está bien insertado. Abra el grifo de suministro de agua. Pulse "On/Off". Compruebe si el botón "Start/Pause" está pulsado. Si es así, vuelva a pulsar el botón para iniciar.
La puerta no se puede abrir	El diseño de protección de seguridad de la lavadora está funcionando.	Desconecte la energía, reinicie la máquina
Sonido de golpeteo	Las cargas de lavado pesadas pueden producir un sonido de golpeteo. La carga de la lavadora puede estar desequilibrada.	Esto es normal. Si el sonido continúa, es probable que la lavadora esté desequilibrada. Detenga y redistribuya la carga de lavado. Ponga en pausa el ciclo y redistribuya la carga.
Ruido de vibración	No se han retirado los materiales de embalaje. La carga de lavado puede estar distribuida de forma desigual en el tambor. No todas las patas de nivelación están apoyadas firme y uniformemente en el suelo. El suelo no está lo suficiente nivelado/rígido.	Consulte la sección de DESEMBALAJE Y RETIRO DEL MATERIAL DE TRANSPORTE en las instrucciones de instalación. Retirar el material de envío en las instrucciones de instalación. Ponga en pausa el ciclo y redistribuya la carga. Consulte la sección de Nivelación de la Lavadora en las Instrucciones de Instalación. Asegúrese de que el suelo es sólido y no se flexiona. Consulte el apartado Suelo en las Instrucciones de Instalación.
Ruido de traqueteo y chirrido	Puede haber objetos extraños, como llaves, monedas o pins de seguridad, en el interior del tambor o la bomba	Detenga la lavadora, compruebe si hay objetos extraños en el tambor y en el filtro de desagüe. Si el ruido continúa después de reiniciar la lavadora, llame al servicio técnico.

SOLUCIÓN DE PROBLEMAS Y GARANTÍA

SINTOMAS	POSIBLE CAUSA	SOLUCIONES
Exceso de espuma	Demasiado detergente o detergente incorrecto.	Los detergentes HE están formulados específicamente para lavadoras de alta eficiencia y contienen agentes reductores de espuma. Utilice únicamente detergente con el logotipo de Alta Eficiencia (HE).
Fugas de agua	La conexión de la manguera de entrada está suelta en el grifo o en la lavadora. Las mangueras de drenaje están obstruidas. El tubo de desagüe se ha salido del desagüe o no se ha introducido lo suficiente.	<p>Compruebe que las mangueras no tengan fugas, grietas o roturas.</p> <p>Compruebe y apriete las conexiones de las mangueras.</p> <p>La lavadora bombea agua muy rápidamente.</p> <p>Compruebe si el agua sale de la tubería de desagüe durante el vaciado. Si se observa que sale agua por el desagüe, compruebe que la manguera de desagüe esté bien instalada y que no haya restricciones en el desagüe.</p> <p>Si el agua sale por el desagüe, compruebe que la instalación de la manguera de desagüe es correcta y que no hay obstrucciones en el desagüe. Póngase en contacto con un plomero para que repare la tubería de desagüe.</p> <p>Amarre la manguera de desagüe a la manguera de entrada o al tubo vertical para evitar que se suelte. Para las tuberías de desagüe más pequeñas, introduzca la manguera de desagüe en la tubería hasta la abrazadera de la manguera de desagüe. Para tubos de desagüe más grandes, inserte la manguera de desagüe en la tubería 1"-2" más allá de la abrazadera.</p> <p>Detenga la lavadora y compruebe la carga.</p>
Arrugas	La lavadora no se ha descargado rápidamente. La lavadora está sobrecargada. Las mangueras de entrada de agua caliente y fría están invertidas.	<p>Saque siempre los artículos de la lavadora en cuanto termine el ciclo.</p> <p>El tambor no debe estar muy apretado de ropa.</p> <p>El enjuague con agua caliente puede provocar arrugas en las prendas.</p> <p>Compruebe la manguera de entrada</p>
Manchas en los tejidos	La lavadora no se descargó rápidamente. La ropa no estaba bien clasificada.	<p>Saque siempre las prendas de la lavadora lo antes posible una vez finalizado el ciclo.</p> <p>Lave siempre los colores oscuros por separado de los colores claros y los blancos para evitar la decoloración.</p> <p>No lave nunca prendas muy sucias con prendas poco sucias.</p>

SOLUCIÓN DE PROBLEMAS Y GARANTÍA

SINTOMAS	POSIBLE CAUSA	SOLUCIONES
Olor a moho en la lavadora	El interior del tambor no se limpió correctamente.	Ejecute el ciclo Tub Clean con lejía una vez al mes para limpiar el tambor y eliminar el moho del interior de la lavadora.
The machine does not drain or spin properly	Algo está bloqueando la bomba.	Desconecte el cable de corriente, asegúrese que la tela no está atorada, Reinicie la máquina.
Código de error E30	La puerta no está bien cerrada.	Compruebe y limpie el filtro de la bomba.
Código de error E10	Esto indica un problema de llenado de agua en la máquina.	Asegúrese que la presión del agua no es demasiado baja. Asegúrese que no hay torceduras en las mangueras. Asegúrese que la válvula de entrada no esté bloqueada.
Código de error E21	El agua se drena lentamente.	Asegúrese de que la manguera de drenaje no esté bloqueada.
Código de error E12	Desbordamiento de agua.	Reinicie la lavadora.
Código de error EXX	Otro	Reinicie la lavadora, si el error persiste, póngase en contacto con el servicio de atención al cliente.

GARANTÍA LIMITADA

Cualquier reparación, reemplazo o servicio de garantía y todas las preguntas sobre este producto deben dirigirse a W Appliance Co. al **844-299-0879** desde los Estados Unidos o Puerto Rico.

Garantiza al comprador original que el producto estará libre de defectos de material, piezas y mano de obra durante el período designado para este producto. La garantía comienza el día de la compra del producto y cubre hasta un período de **1 año (12 meses) para la mano de obra/1 año (12 meses) para las piezas (sólo defectos de fabricación)**.

W Appliance Co. se compromete a sustituir, a su elección, el producto defectuoso por una unidad nueva o remanufacturada equivalente a su compra original durante el período de garantía.

Exclusiones: Esta garantía no se aplica a lo siguiente:

1. Si la apariencia o el exterior del producto ha sido dañado o desfigurado, alterado o modificado en su diseño o construcción.
2. Si el número de serie original del producto ha sido alterado o eliminado o no se puede determinar fácilmente.
3. Si hay daños debidos a una sobrecarga de la línea eléctrica, a daños del usuario en el cable de alimentación de CA o a la conexión a una fuente de tensión inadecuada.
4. Si los daños se deben a un mal uso general, a accidentes o a casos fortuitos.
5. Si los intentos de reparación son realizados por agentes de servicio no autorizados, el uso de piezas que no sean genuinas o piezas obtenidas de personas que no sean compañías de servicio autorizadas.
6. En unidades que han sido transferidas del propietario original.
7. En productos que hayan sido adquiridos como reacondicionados, como nuevos, de segunda mano, en condiciones de "tal cual" o "venta final".
8. En productos utilizados en un entorno comercial o de alquiler.
9. A los productos utilizados en entornos distintos al uso doméstico ordinario o utilizados de forma distinta a las instrucciones proporcionadas.
10. A los daños por llamadas de servicio por instalaciones inadecuadas.
11. A los gastos de transporte y envío asociados a la sustitución de la unidad.
12. Las llamadas de servicio para instruirle en el uso de su producto.
13. Llamadas de servicio para reparar o sustituir el fusible de la casa, restablecer el disyuntor o corregir el cableado de la casa.

LA REPARACIÓN O SUSTITUCIÓN SEGÚN LO DISPUESTO EN ESTA GARANTÍA ES EL RECURSO EXCLUSIVO DE EL CLIENTE; W Appliance Co. NO SERÁ RESPONSABLE DE NINGÚN DAÑO INCIDENTAL O CONSECUENTE POR EL INCUMPLIMIENTO DE CUALQUIER GARANTÍA EXPRESA O IMPLÍCITA DE ESTE PRODUCTO, EXCEPTO EN LA MEDIDA EN QUE LO PROHIBA LA LEY APLICABLE. CUALQUIER GARANTÍA IMPLÍCITA DE COMERCIABILIDAD DE IDONEIDAD PARA UN PROPÓSITO PARTICULAR EN ESTE PRODUCTO ESTÁ LIMITADA A LA DURACIÓN DE LA GARANTÍA.

Algunos estados no permiten la exclusión o la limitación de los daños incidentales o consecuentes, ni la limitación de la duración de la garantía. En estos casos, es posible que las exclusiones o limitaciones anteriores no se apliquen en su caso. Esta garantía le otorga derechos legales específicos y también puede tener otros derechos que varían de un estado a otro.

Obtención del servicio: Para obtener asistencia técnica, documentación del producto, suministros o accesorios, llame al **844-299-0879** para crear un ticket de cambio/reparación. Asegúrese de proporcionar la fecha de compra, el número de modelo y una breve descripción del problema. Nuestro representante de servicio al cliente se pondrá en contacto con usted o le enviará instrucciones detalladas para la devolución.

W Appliance Co. no garantiza que el electrodoméstico funcione correctamente en todas las condiciones ambientales, y no ofrece ninguna garantía ni representación, ya sea implícita o expresa, con respecto a la calidad, el rendimiento, la comerciabilidad o la idoneidad para un propósito particular que no sea el identificado en este manual del usuario. W Appliance Co. ha hecho todo lo posible para garantizar la exactitud de este manual del usuario y se exime de responsabilidad por cualquier inexactitud u omisión que pueda producirse. La información contenida en este manual de usuario está sujeta a cambios sin previo aviso y no representa un compromiso por parte de W Appliance Co. W Appliance Co. se reserva el derecho de realizar mejoras en este manual de usuario y/o en los productos descritos en este manual de usuario en cualquier momento y sin previo aviso. Si encuentra información incorrecta, engañosa o incompleta en este manual, póngase en contacto con nosotros llamando al **844-299-0879**.

W Appliance Co.
1356 Broadway
Nueva York, NY 10018

BLACK & DECKER, BLACK+DECKER, los logotipos de BLACK & DECKER y BLACK+DECKER, y los nombres de los productos y la combinación de colores naranja y negro son marcas comerciales de The Black & Decker Corporation y utilizadas bajo licencia.

Todos los derechos están reservados.

El producto en esta caja puede diferir ligeramente del que aparece en la imagen. No afecta su funcionamiento. No todos los accesorios mostrados en la fotografía están incluidos en este paquete.

Importado por W Appliance, Inc., 1356 Broadway, Nueva York, NY 10018

Junio 2021

Impreso en China