



## 5.5 cu. ft. Top Load Washer

- 5.5 cu. ft. Mega Capacity
- TurboWash3D™ Technology
- Steam Technology
- 14 Cycles / 15 Options
- Allergiene™ Cycle
- ColdWash™ Option
- 6Motion™ Technology
- Internal Heater
- Direct Drive Motor 10-Year Limited Warranty
- NeveRust™ Stainless Steel Tub & Wash Plate
- LG ThinQ® Technology (Wi-Fi)



### COLOR AVAILABILITY

WT7900HBA – Black Steel

WT7900HWA – White

### CAPACITY & MATCHING DRYERS

Capacity (cu. ft.)	5.5
Matching Electric Dryer	DLEX7900BE, DLEX7900WE
Matching Gas Dryer	DLGX7901BE, DLGX7901WE

### APPEARANCE

Electronic Controls with LED Display	Yes
Touch Buttons	Yes
Dial-A-Cycle™	Yes

### ENERGY & WATER

ENERGY STAR® Qualified	Yes
CEE Qualified	Tier 1
Integrated Modified Energy Factor (IMEF)	2.76
Integrated Water Factor (IWF)	3.2

### WASH CYCLES

Number of Cycles	14
Wash Cycles	Normal, Heavy Duty, Bedding, Deep Wash, Sanitary, Allergiene, Bright Whites, Pre Wash+, Normal, Delicates, Perm Press, Towels, Speed Wash, Waterproof, Downloaded

### WASH OPTIONS

Number of Options	15
Options	Steam, Soak, Extra Rinse, Add Garments, Delay Wash, Control Lock, Water Plus, ColdWash™, Rinse+Spin, Spin Only, StainCare, Tub Clean, Signal, Remote Start, Wi-Fi

### WASH DETAILS

Internal Heater	Yes
Number of Wash / Rinse Temps	5

### WASH DETAILS CONTINUED

Wash / Rinse Temps	Hot, Warm, Semi Warm, Cold, Tap Cold
Number of Spin Speeds	5
Spin Speeds	Extra High, High, Medium, Low, No Spin
Max RPM	950
Water Levels	Load Sensing
Number of Soil Levels	5
AAFA Certified	Yes

### FABRIC CARE

Wash Technology	TurboWash3D™
Steam Technology	Yes
Allergiene™ Cycle	Yes
Sanitary Cycle	Yes
SmartRinse™ Jet Spray System	Yes
ColdWash™ Option	Yes
SenseClean™ System	Yes

### CONVENIENCE

SlamProof™ Lid	Yes
TrueBalance™ Anti-Vibration System	Yes
Dispenser Type	3-Tray (Main Wash with Liquid Detergent Cup, Bleach, Fabric Softener)
LoDecibel™ Quiet Operation	Yes
End of Cycle Signal	Yes
LoadSense	Yes
Child Lock	Yes
Auto Suds Removal	Yes
4 Adjustable Leveling Legs	Yes
Status Indicator(s)	Yes
Add Garment Indicator	Yes
Forced Drain System	Yes
ADA Compliant	No

### SMART FEATURES

Wi-Fi Enabled	Yes
ThinQ®	Yes
Proactive Customer Care	Yes
Voice Control	Google Assistant, Amazon Alexa
SmartDiagnosis™	Yes
Remote Start (On / Off)	Yes
Remote Monitoring & Notifications	Yes
Energy Monitoring	Yes

### MOTOR AND AGITATOR

Motor Type	Inverter Direct Drive Motor
Axis	Vertical
Wash Type	Wash Plate

### MATERIALS AND FINISHES

Drum Material / Finish	NeveRust™ Stainless Steel
Washplate	Yes, NeveRust™ Stainless Steel
Lid	Transparent Glass

### TECHNICAL SPECS

Electrical Requirements	120V @ 60Hz
Type	Electric
Power Outlet Location	Within 60" of Either Side
Plug Type	3-Prong (Cord Attached to Unit)
Min. / Max. Water Pressure	20 - 120 psi

### INCLUDED ACCESSORIES

Tie Strap

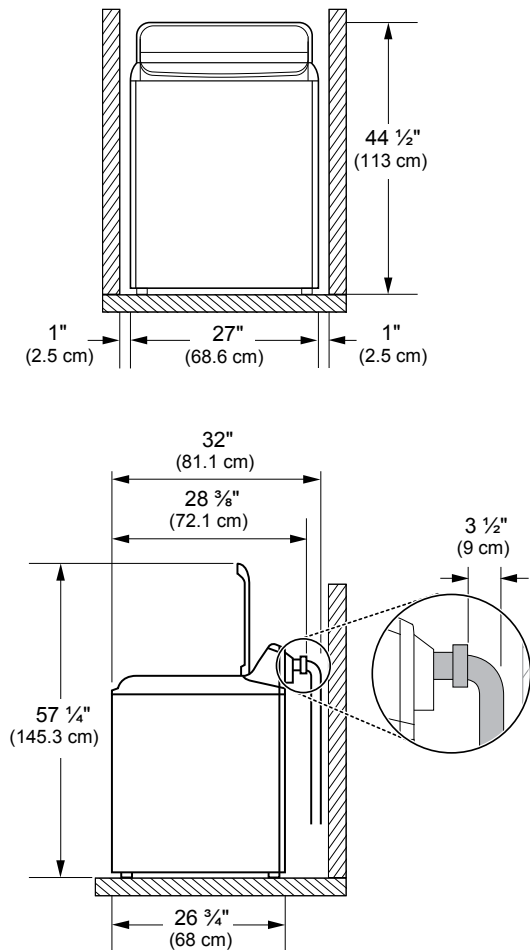
### DIMENSIONS

Product (W x H x D)	27" x 44 1/2" x 28 3/8"
Height with Lid Open	57 1/4"
Cutout Dimensions (W x H x D)	29" x 57 1/4" x 32 3/8"
Carton Dimensions (W x H x D)	28 7/8" x 47 3/16" x 31"
Weight (Product / Carton)	134 lbs. / 140.9 lbs.

### LIMITED WARRANTY

Parts and Labor	1 Year
Direct Drive Motor	10 Years (Parts Only)
Drum	3 Years (Parts Only)

### DIMENSIONS / CLEARANCES



Minimum vertical space from floor to overhead shelves, cabinets, ceilings, etc., is 58 inches (147 cm).

### INSTALLATION NOTES

- To ensure sufficient clearance for water lines, the drain line and airflow, allow minimum clearances of at least 1 inch (2.5 cm) at the sides and 4 inches (10 cm) behind the unit. Be sure to allow for wall, door, or floor moldings that may increase the required clearances.
- Install the washer on a solid floor that is strong and rigid enough to support the weight of the washer, even when fully loaded, without flexing or bouncing. If the floor has too much flex, you may need to reinforce it to make it more rigid. If the floor is not solid, it may cause severe vibration and noise.

ASTHMA & ALLERGY FRIENDLY Mark is a Registered Trade Mark of the ASTHMA AND ALLERGY FOUNDATION OF AMERICA and ALLERGY STANDARDS LTD.