

NQ70T5511D

SAMSUNG

30" Microwave Combination Wall Oven



Signature Features

1.9/5.1 cu. ft. Capacity

- Largest capacity* microwave combination oven with an integrated design that can accommodate a roast, multiple casserole dishes, or two full racks of cookies & microwave at the same time.*

*Based on combined capacity of oven and microwave.

Digital Touch Controls with Wi-Fi

- Touch Controls offer an integrated and premium design that is easy to clean.

Blue Ceramic Interior

- Blue Ceramic enamel interior offers a premium look and feel.

Available Colors



Stainless Steel (shown)



Fingerprint Resistant
Black Stainless Steel



Digital Touch Controls



Blue Ceramic Interior

Features

- 1.9/5.1 cu. ft. Capacity
- Wi-Fi Connectivity
- Glass Touch Controls
- Steam Clean & Self-Clean (Oven)
- Halogen Lights
- Easy View Window
- 2 Heavy-Duty Racks (Oven)
- Auto Latch Microwave Door
- Broil Element
- 6 Rack Positions (Oven)
- Drop-Down Door Design

Convenience

- Sensor Cook (Microwave)
- Sabbath Mode (Oven)
- Hidden Heating Element (Oven)
- Delay Start (Oven)
- Child Safety Lock
- Proofing (Oven)
- Warming Mode (Oven)
- Kitchen Timer

NQ70T5511D

SAMSUNG

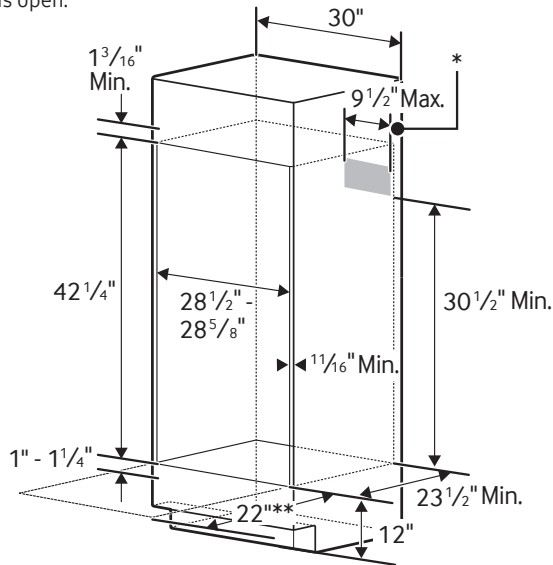
30" Microwave Combination Wall Oven

Cabinet Dimensions

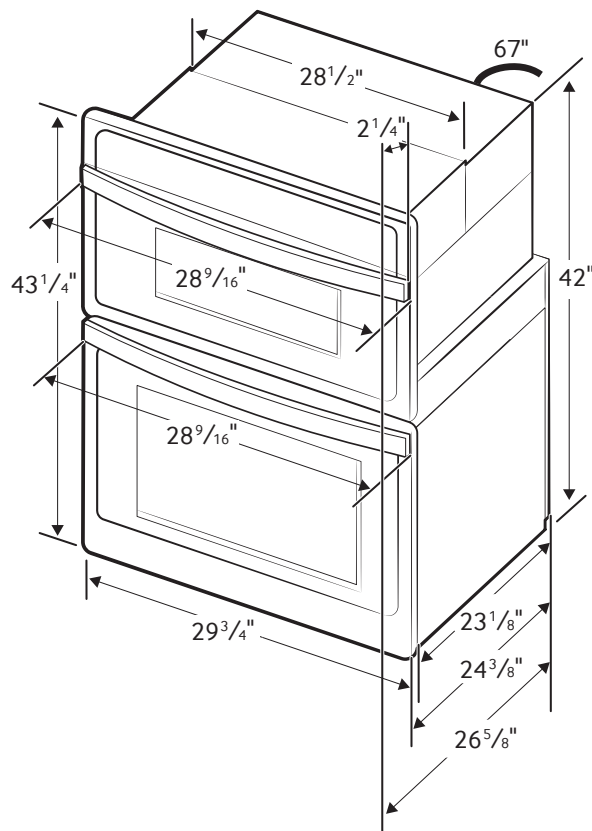
Combination Oven Installed in Cabinet

* Junction Box

** Allow a minimum of 22" for clearance to adjacent corners, drawers, walls, etc. when door is open.



Product Dimensions



Total Capacity: 1.9/5.1 cu. ft.

- Microwave: 1.9 cu. ft.
- Wall Oven: 5.1 cu. ft.
- Hidden Bake Element
- Bake: 175°F–550°F
- Broil: Low-High
- Proofing
- Sabbath Mode

Warranty

One (1) Year All Parts and Labor

Ten (10) Years Parts Warranty for Magnetron

Product Dimensions & Weight (WxHxD)

Outside (Max) Combination Oven Dimensions: 29³/₄" x 43¹/₄" x 26⁵/₈"

Combination Oven Cut-Out Dimensions: 28¹/₂" x 42¹/₄" x 23¹/₂"

Weight: 222.7 lbs

Shipping Dimensions & Weight (WxHxD)

Dimensions: 33⁵/₈" x 48³/₁₆" x 29¹³/₁₆"

Weight: 260.1 lbs

Color

Stainless Steel

Model

NQ70T5511DS/AA

UPC Code

887276384962

Fingerprint Resistant

Black Stainless Steel

NQ70T5511DG/AA

887276384955

KW RATING	
240V	6.2 kW
208V	4.7 kW
BREAKER SIZE	
240V	30 Amps
208V	30 Amps

Actual color may vary. Design, specifications, and color availability are subject to change without notice. Non-metric weights and measurements are approximate.

©2020 Samsung Electronics America, Inc. 85 Challenger Road, Ridgefield Park, NJ 07660. Tel: 800-SAMSUNG. samsung.com. Samsung is a registered trademark of Samsung Electronics Co. Ltd.