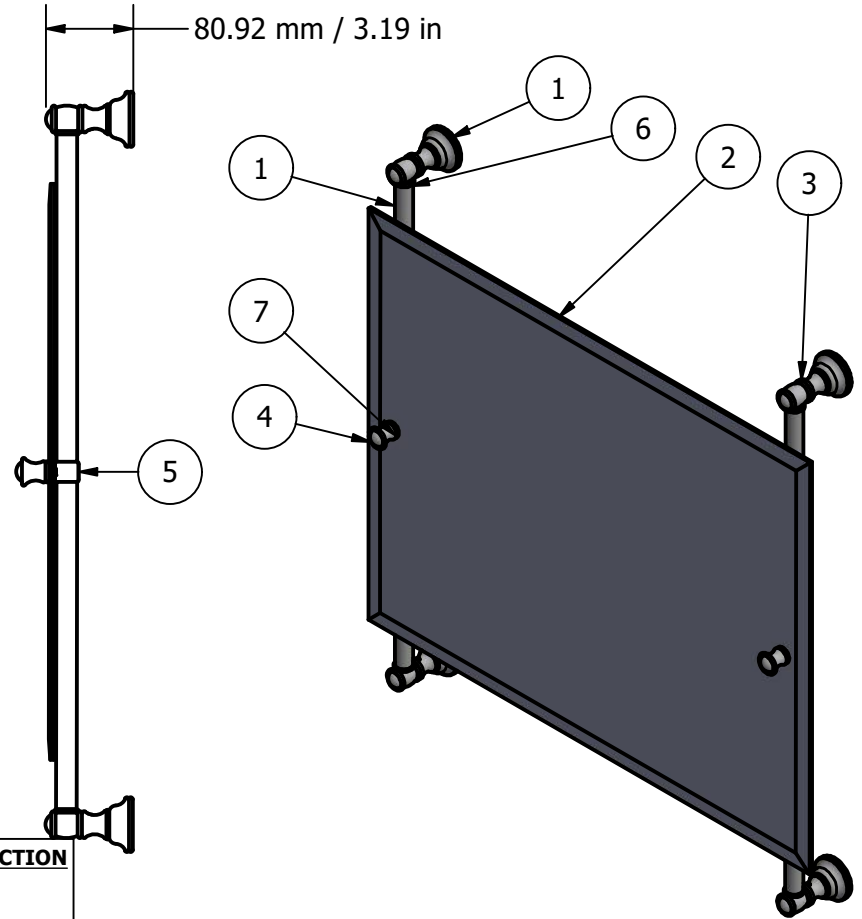
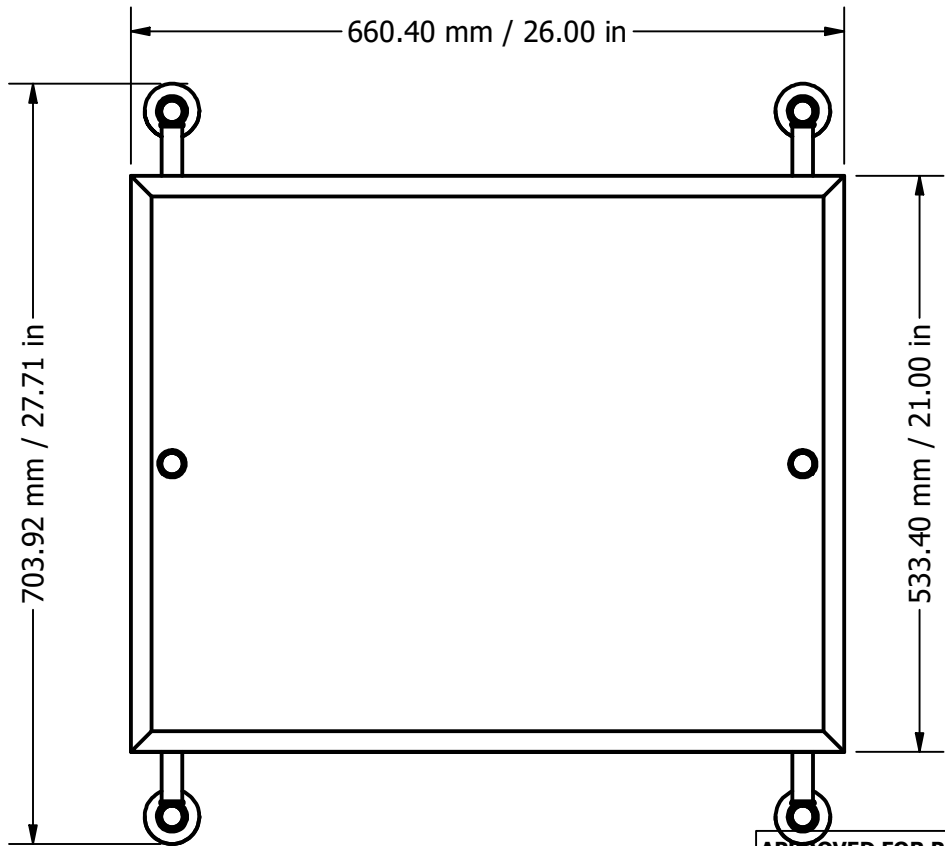


PARTS LIST			
ITEM	QTY	PART NUMBER	DESCRIPTION
1	4	TBBS-2	BACKPLATE
2	1	MRRT-93	RECTANGULAR MIRROR
3	4	TSPS-2	HUB
4	6	CL-CAP	CAP
5	2	MR-TILT-FIT	HUB
6	8	CRRD-34	CHECK RING
7	2	KBBD-1	HUB
8	4	TU34-12	TUBE



**APPROVED FOR PRODUCTION**  
 By: RICHARD PAUL  
 Date: 10-24-19

UNLESS OTHERWISE SPECIFIED	
.X	± .3mm
.XX	± .15mm
.XXX	± .008mm

COPYRIGHT @ALLIEDBRASS 2018	CHECKED 10-24-19 P.D.	APPROVED 10-24-19 R.A.
-----------------------------	-----------------------	------------------------

DRAWN 10-24-19 IM	MATERIAL: BRASS
DESCRIPTION:	
Carolina Rectangular Landscape Rail Mounted Mirror	

FINISH	TBD
QTY	TBD
DRAWING NO. CL-27-93	
SCALE	1.5:1

REV	0
SHEET: 1 OF 1	



2

1