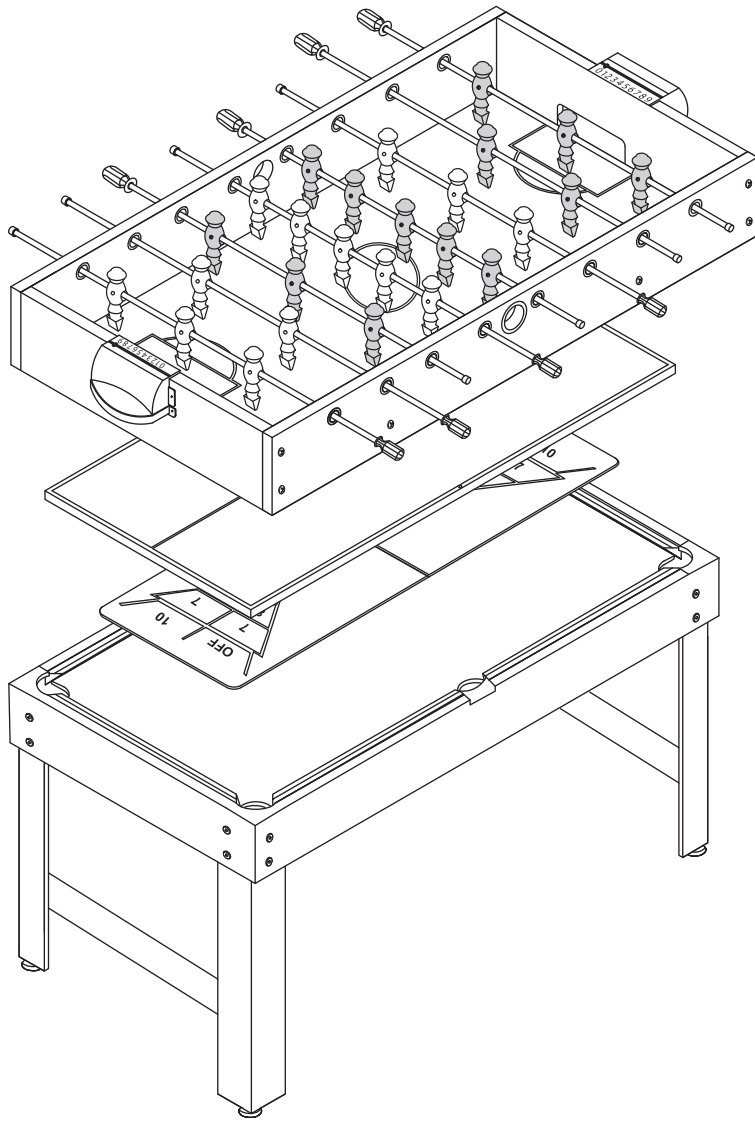


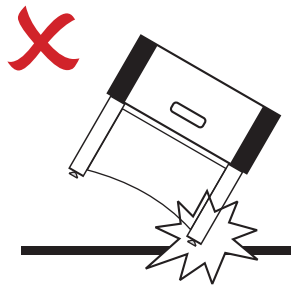
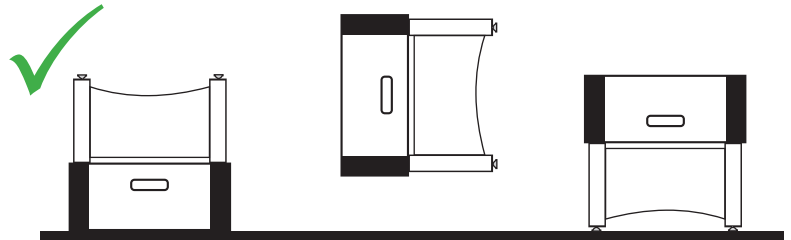


10-IN-1 MULTI-GAME TABLE

Review all assembly and care instructions carefully before using this product. Save this manual for future reference.
Assemble components on a soft, clean surface to avoid damaging the finish.



 Inspect packaging to ensure all parts are accounted for before disposing of packing materials.
 Save the packing slip.



IMPORTANT

Two adults are needed to turn the table over, as shown above.
 Do not lift the table by the legs; lift by the cabinet only.
 Do not let table lean on its legs.



SCAN THIS CODE WITH YOUR SMARTPHONE TO VIEW OUR ASSEMBLY VIDEO

HELPFUL HINT

Sunnydaze Decor advises reviewing this manual fully, and assembling the game table soon after purchase. Check that all parts are accounted for and familiarize yourself with all assembly steps before beginning. Save this manual for future reference.

COMPONENTS



Thoroughly inspect packaging to ensure all parts are accounted for before disposing of packing materials.



No.	TABLE PARTS		QTY.
P1		Foosball Side Panel	2
P2		Foosball End Panel	2
P3		Foosball Playing Field	1
P4		Playfield Brace	2
P5		Pool Table	1
P6		Leg	4
P7		Hockey/Table Tennis Reversible Surface	1
P8		Shuffle/Boardgames Reversible Surface	1
P9		Ball Catch (Top/Bottom)	2
P10		Leg Leveler	4
P11		Leg Brace	2

No.	FOOSBALL PLAYER PARTS		QTY.
R1		3-Player Rod	4
R2		2-Player Rod	2
R3		5-Player Rod	2
R5		Home Player	13
R6		Away Player	13
R7		Rod Bushing	16
R8		Screw	26
R10		Plastic Washer	16
R11		Handle	8
R12		Rod Cap	8

INCLUDED TOOLS	
	Hex Key

No.	TABLE HARDWARE		QTY.
A2		T4x40mm Screw	12
A3		T3.5x12mm Screw	16
A4		1/4" x 1-1/8" Bolt	16
A5		1/4" Washer	16

No.	GAME ACCESSORIES		QTY.
1		Table Tennis Ball	2
2		Paddle	2
3		Table Tennis Net	1
4		Net Post	2
5		Hockey Striker	2
6		Hockey Puck	2
7		Cue Chalk	2
8		Triangle	1
9		Cue	2
10		Brush	1
11		Billiard Ball Set	1
12		Bowling Pin Set	1
13		Shuffleboard Puck Set	1
14		Chess Set	1
15		Dice Set	1
16		Dice Cup	1
17		Checkers Set	1
18		Poker Cards	1
19		Soccer Ball	2

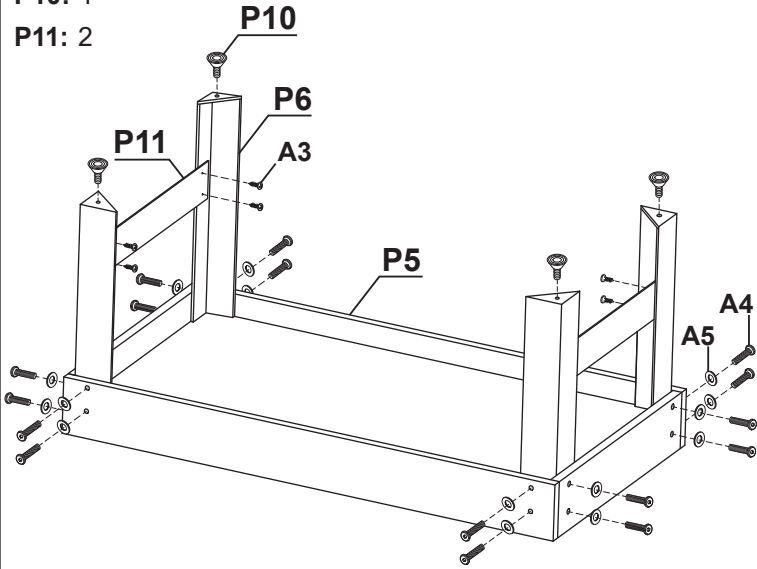
TOOLS REQUIRED (not included)	
	Phillips Screwdriver

— SAVE THESE INSTRUCTIONS —

ASSEMBLY

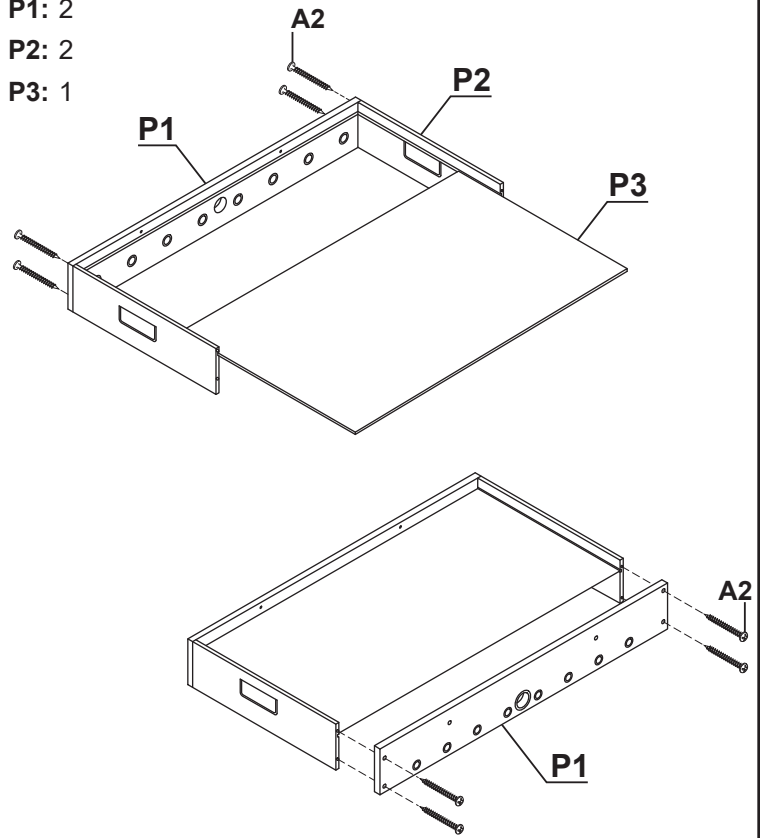
STEP 1

- A3: 8
- A4: 16
- A5: 16
- P5: 1
- P6: 4
- P10: 4
- P11: 2



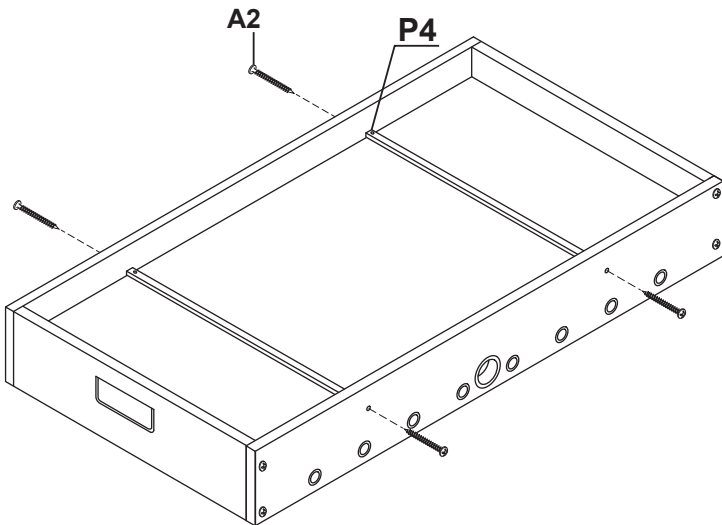
STEP 2

- A2: 8
- P1: 2
- P2: 2
- P3: 1



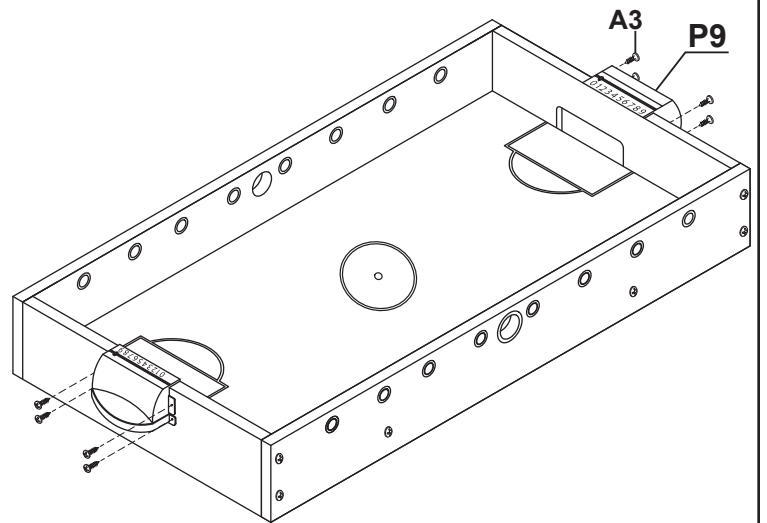
STEP 3

- A2: 4
- P4: 2



STEP 4

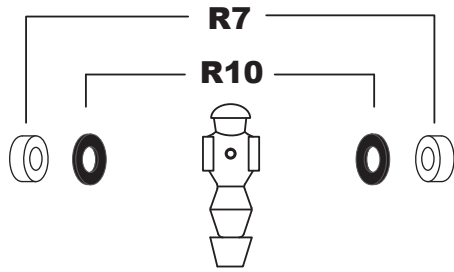
- A3: 8
- P9: 2 sets



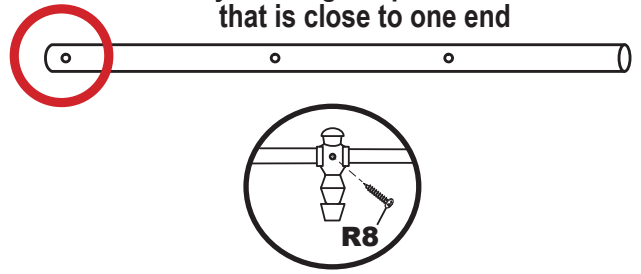
STEP 9

HOME AWAY

- R1: 2 R1: 2
- R2: 1 R2: 1
- R3: 1 R3: 1
- R5: 13 R6: 13
- R7: 8 R7: 8
- R8: 13 R8: 13
- R10: 8 R10: 8
- R11: 4 R11: 4
- R12: 4 R12: 4

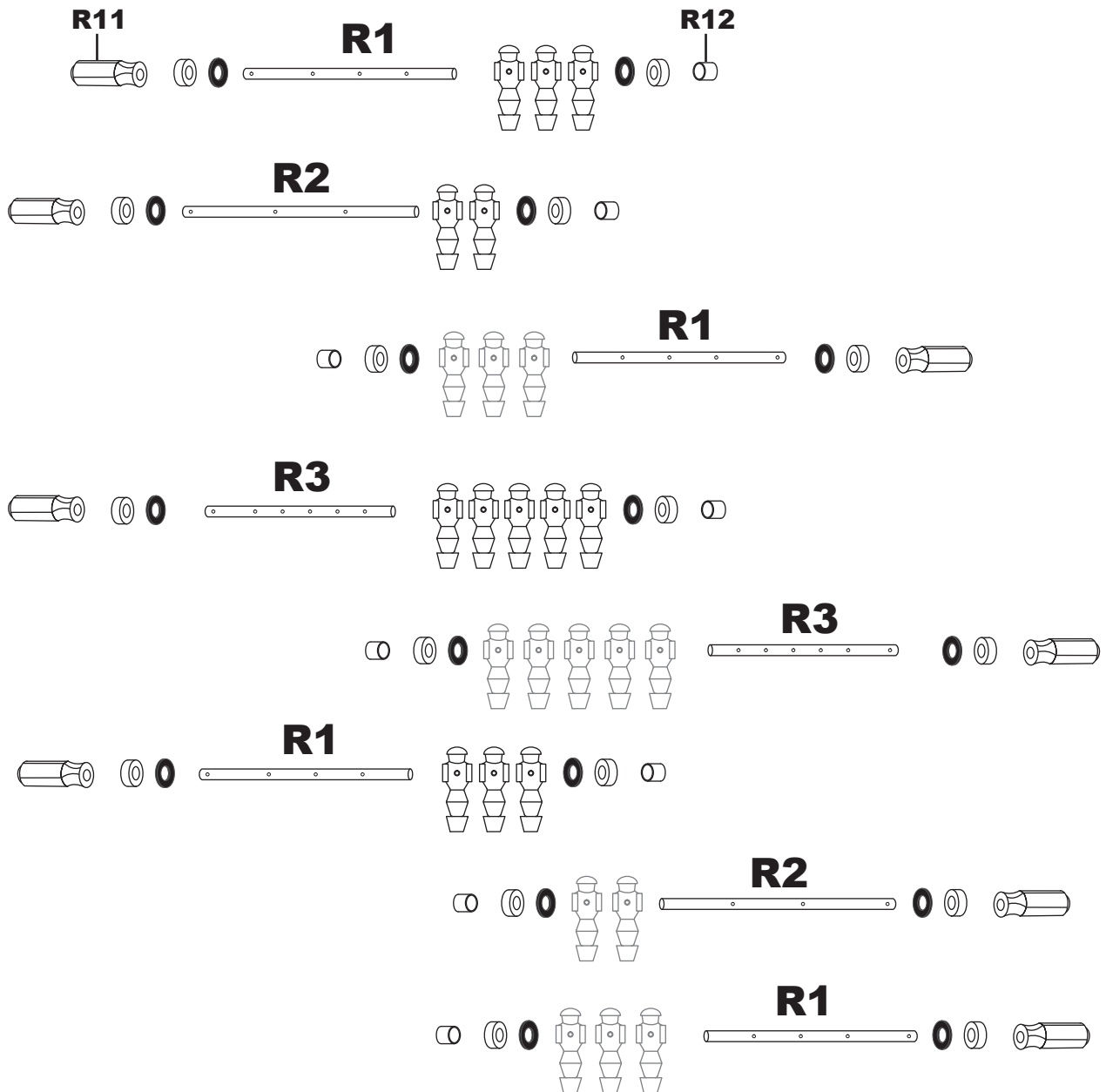


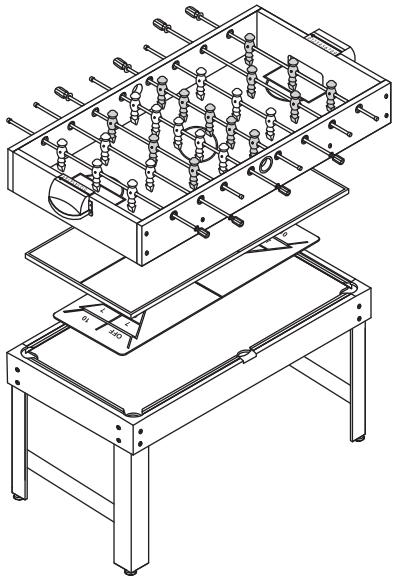
Identify the handle-side of the player rod by locating the pre-drilled hole that is close to one end



Follow the diagrams to ensure rod and player placement are correct.

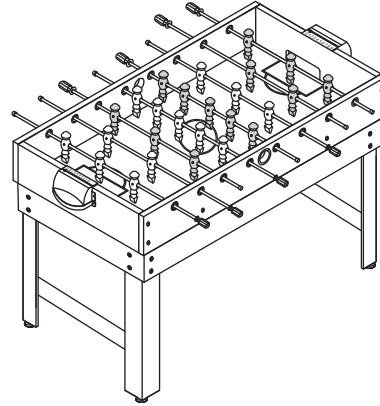
- Place 1 Rod Bushing (R7) 1 Plastic Washer (R10) onto the player rod.
- Run the end of the rod through the opening on the table and push Handle (R11) onto the rod.
- Place players, 1 plastic washer and 1 rod bushing onto the rod, then put the rod through the opening on the opposite side of the table.
- Place End Cap (R12) on the rod.
- Secure each player using Screw (R8).





Game Storage

Store all playing surfaces and game accessories on the pool table. Then, place the foosball game over the top of the pool table.



Care and Maintenance

PROTECT: Only use this game table indoors; high moisture areas may cause the finish to peel and wood to warp.

LEVEL: If the playing surface is uneven, adjust the feet by (un)screwing each foot until the playing field is level.

COVER: Covering the game table while not in use will help prevent dust build-up.

INSPECT: Periodically check all assembly points to ensure all bolts and screws are firmly secured.

CLEAN: Use a soft, dry cloth to dust the game table. For stubborn stains, use a slightly damp cloth. NEVER use harsh chemical or abrasive materials to clean any part of the game table.

! SAFETY STATEMENTS & WARNINGS !

- This product is intended for INDOOR use only.
- For residential use only.
- Supervise children while this item is in use.
- Do not sit, stand, climb or lean on any part of the table.
- Ensure all bolts and screws are firmly secured before each use.
- Always lift the table when moving it. Dragging the table can permanently damage the unit.
- Do not use or store this item in the proximity of open flame or flammable/combustible chemicals.

Any modification to the product or failure to follow recommended care will void the product warranty.

If you experience issues with assembly or the product was damaged during shipping, please contact our customer service team through one of the methods mentioned at the top of page 1.

Please have the item number and order information ready to expedite response time.

! WARNING!

Manufacturer and seller expressly disclaim any and all liability from personal injury, property damage or loss, whether direct or indirect, or incidental, resulting from the incorrect attachment, improper use, inadequate maintenance, or neglect of this product.