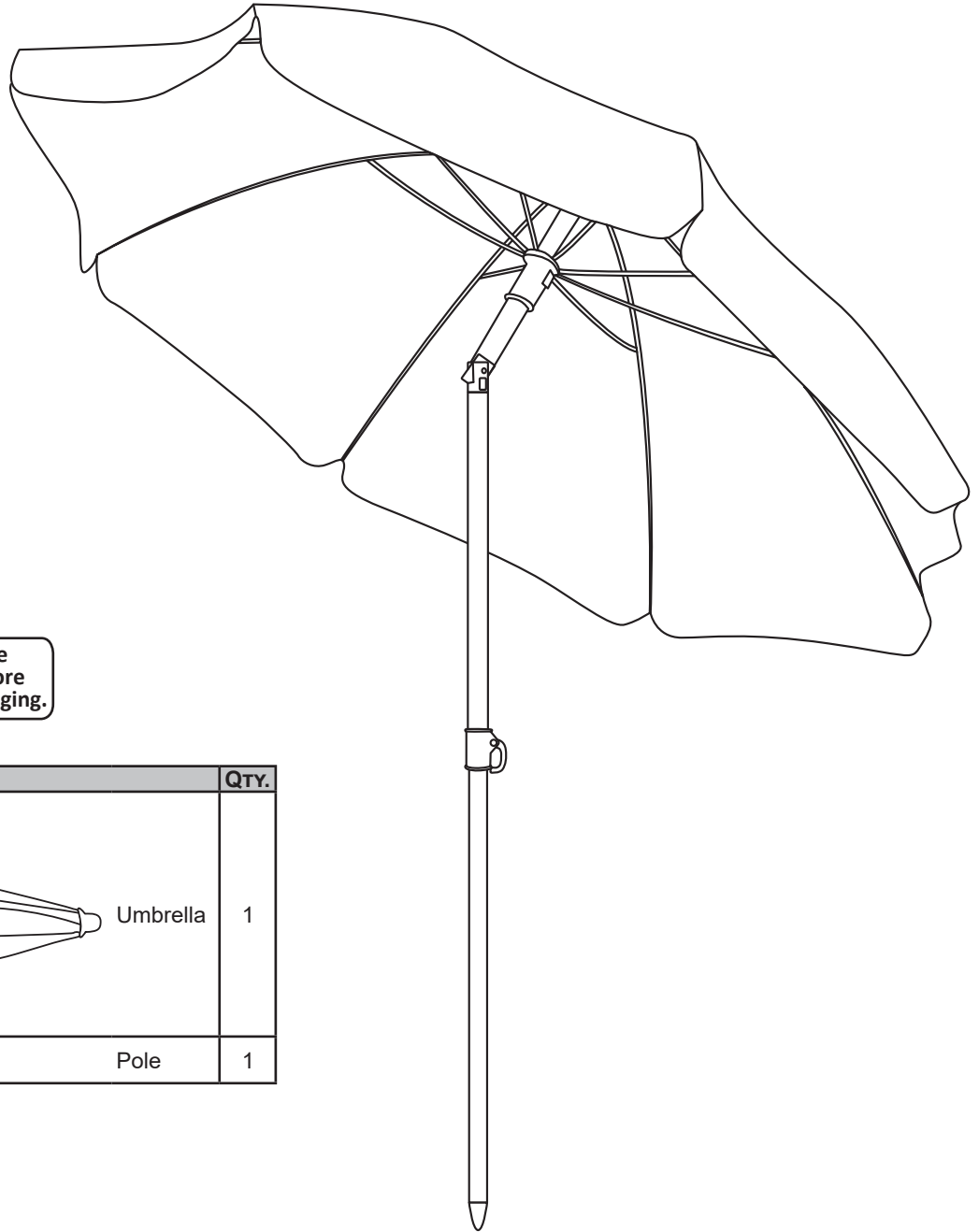

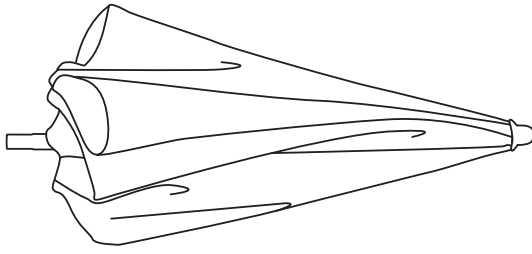
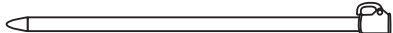


BEACH UMBRELLA

Read all instructions carefully before using this product. Save this document for future reference.



 Ensure all parts are accounted for before disposing of packaging.

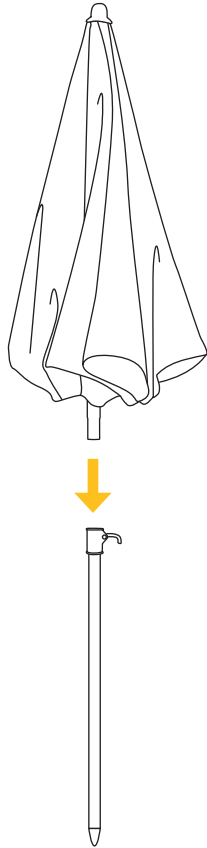
No.	PARTS	QTY.
A	 Umbrella	1
B	 Pole	1

NOTICE

- Always remember to wear appropriate sun protection when outdoors, even while using an umbrella.
- Always store this umbrella indoors when not in use. Do not allow the umbrella to flap in the wind; this could damage the umbrella.
- Do not use umbrella in inclement weather such as strong wind, thunderstorms, heavy rain or snow.

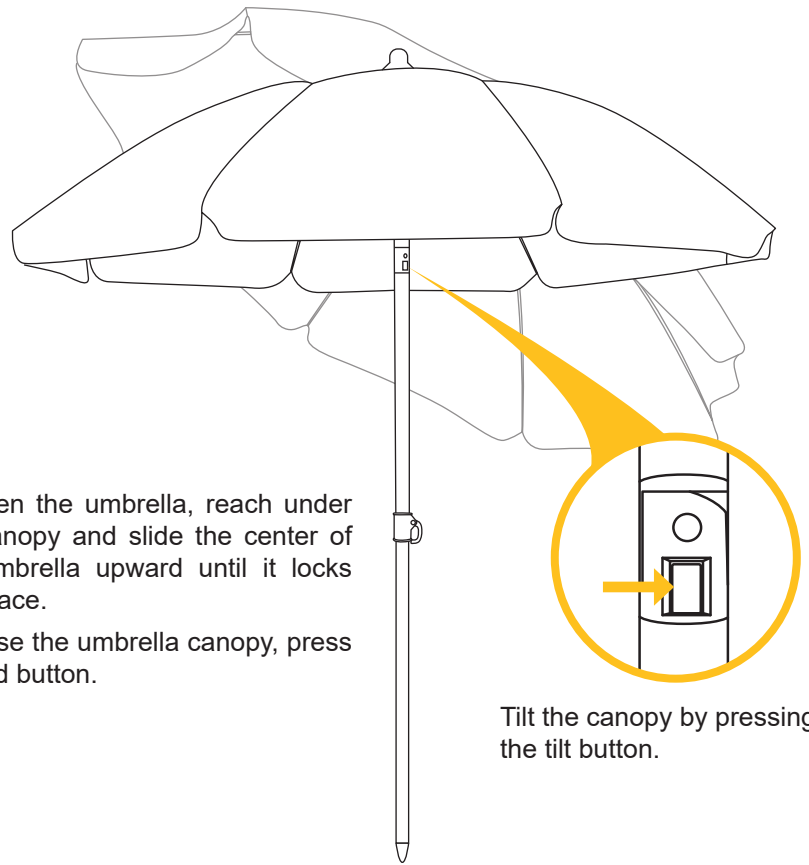
⚠ WARNING: Manufacturer and seller expressly disclaim any and all liability from personal injury, property damage or loss, whether direct or indirect, or incidental, resulting from the incorrect attachment, improper use, inadequate maintenance, or neglect of this product.

ASSEMBLY



Lift the locking mechanism on Pole (B).

Insert Umbrella (A) into Pole (B) and push the locking mechanism down.



To open the umbrella, reach under the canopy and slide the center of the umbrella upward until it locks into place.

To close the umbrella canopy, press the red button.

Tilt the canopy by pressing the tilt button.

USE & CARE

OPENING & CLOSING

When opening, make sure the umbrella opens freely. If there is resistance while opening, **DO NOT FORCE** the umbrella open because it will damage the umbrella. Check the umbrella to see if the ribs are locked together; gently pull the ribs apart to assist the opening process.

INSTALLING INTO SAND

Push the pole into the sand and rock it back and forth until the pole is buried 1-2 feet.

Open the umbrella and tilt it into the wind so the wind pushes the umbrella into the sand.

As wind changes, change the tilt of the umbrella prevent wind from catching and lifting the umbrella out of the sand.

For an extra layer of protection, a sand anchor may be used (sand anchor not included).

SUN EXPOSURE & STORAGE

All fabrics will eventually fade from sun exposure. Maintain the fabric color by storing it indoors when not in use.

Always store this beach umbrella when not in use; it is designed for short-term use only and should not be left outdoors.

CLEANING

Do not remove the canopy from the frame and never use bleach, detergents, harsh chemicals or abrasive materials to clean the canopy or the frame. Brush or vacuum loose dirt from the umbrella canopy. Wiping down the canopy and frame with a soft damp cloth and warm water is usually sufficient. For stubborn stains, clean with a soft-bristle brush, mild soap and warm water. Rinse thoroughly with a hose sprayer, ensuring all soap residue is removed; leaving residue will attract dust/dirt.

Thoroughly dry the frame with a soft cloth to prevent water spotting and rust. Open the umbrella canopy and allow it thoroughly to air-dry. Closing the canopy before it is completely dry will promote mold and mildew growth, and could stretch the canopy fabric.

! SAFETY STATEMENTS & WARNINGS !

- Avoid using the umbrella if it cannot be secured into an umbrella base or into the ground.
- Do not use the umbrella during inclement weather such as strong wind, thunderstorms, heavy rain or snow.
- Do not open the umbrella canopy during windy conditions.
- Store the umbrella indoors when not in use.
- Do not iron the umbrella canopy.
- Do not use the umbrella near an open flame or too close to any heat source.

Any modification to the product or failure to follow recommended care will void the product warranty.